

Model	VH9000DS.ASLRLAP		
Language	English	Part No.	MFL67120902
Page	16	인쇄도수(외/내)	1/1
재 질	100	크 기(D*W)	182*257
작성일자	2011.06.20	담당자	



OWNER'S MANUAL

BEDDING CLEANER

This information contains important instructions for the safe use and maintenance of the bedding cleaner. Especially, please read all of the information on page 4, 5 for your safety. Please keep this manual in an easily accessible place and refer to it anytime.

VH9000DS

Table of contents

- Important safety instructions** 4~5

- How to use** 6~14
 - Assembling bedding cleaner 6~7

 - Using the Product 8~9

 - Effective cleaning method according to the cleaning targets 10

 - How to Wash Inlet 11

 - Emptying Dust bin 12

 - Cleaning dust bin 13

 - How to Separate/Clean/Wash/Assemble Dust Filter 14

- Troubleshooting Guide** 15

IMPORTANT SAFETY INSTRUCTIONS

Read and follow all instructions before using your vacuum cleaner to prevent the risk of fire, electric shock, personal injury, or damage when using the vacuum cleaner. This guide do not cover all possible conditions that may occur. Always contact your service agent or manufacturer about problems that you do not understand. This appliance complies with the following EC Directives :-2006/95/EC Low Voltage Directive -2004/108/EC EMC Directive.



This is the safety alert symbol.

This symbol alerts you to potential hazards that can kill or hurt you and others.

All safety messages will follow the safety alert symbol and either the word "WARNING" or "CAUTION."

These words mean:



This symbol will alert you to hazards or unsafe practices which could cause serious bodily harm or death.



This symbol will alert you to hazards or unsafe practices which could cause bodily injury or property damage.

! WARNING

- **No one other than repair technician shall disassemble or modify the product.**
It causes fire or electric shock.
- **Do not spray combustible materials such as gasoline or thinner, or surfactants such as detergents or bathing goods, or drinks near cleaner and station.**
It causes explosion or fire.
- **Do not let power cord be pressed by heavy things or touch sharp parts.**
Using damaged cord or plug causes fire or electric shock.
When the power cord is damaged, it is dangerous, so please replace the power cord from our service center.
- **Do not let liquid such as water enter the product, and do not inhale liquid, blazer, tack, or ember during the cleaning.**
It causes fire or electric shock.
If water entered inside the equipment, first, turn off the power switch of the main body, pull out the power plug, and contact LG Electronics Service Agent to avoid hazard.
- **When the power is turned on, or during the user of the cleaner, if ELCB is operated, immediately stop the use, and contact LG Electronics Service Agent.**
An electric shock accident may occur.
- **Do not insert pins around the cleaner and station.**
There is a risk of electric shock.
- **When there is a leakage of gases such as the city gas, do not touch the power plug socket, but ventilate by opening the window.**
There is a risk of fire or explosion.
- **When you insert or pull out the power plug to or from the socket, first turn off the power switch.**
It causes fire or electric shock.
- **Make sure to use a socket of at least 5A exclusively.**
If several devices are used at one socket at the same time, it causes fire by the heating of the socket.
- **If power cord or plug is damaged, manipulated or bent by force, or pulled by force, or if the part inserting to the socket is lose, do not use the power plug or cord.**
It causes fire or electric shock.
- **Do not operate for a long period of time with inlet and outlet blocked.**
Do not inhale dust or cement during the installation of air conditioner or from the construction site.
It causes deformation of main body or fire by overheating.
- **Do not operate the cleaner while dust bin is taken out.**
There is a risk of product damage or electric shock injury.
- **Be careful for children, the old and infirm, or person not knowing how to use the product not to use the product.**
It causes fire or electric shock.
- **Do not place power cord and the product near heating devices.**
It causes deformation of main body, disorder, or fire.
- **Be careful for your fingers not to touch the pins when you pull out the plug of the product.**
It causes fire or electric shock.
- **Do not let children climb up the product or use the product as a toy.**
It causes injury by drop, flip over of the product, etc.
- **Do not handle the plug with wet hands.**
It may cause electric shock.
- **Do not wash the inlet with water during the use.**
It may cause electric shock.
- **When you clean the exterior, make sure to pull out the power plug, and do not wash with volatile matter.**
It causes electric shock and exterior damage.
- **If the power is on, when you are cleaning, never flip over the inlet and put your hand in the inlet right after you finished the cleaning.**
You may get light scratch by vibration.
- **Maintain the window in front of the station UV lamp clean all the time.**
If there is a foreign object on the window, the UV penetration ratio is decreased, and it cause degradation of the sterilization.
For the safety during the cleaning, please clean after separating the power plug from the power socket.
- **If the station operates without main body stationed, pull out the power cord, and enquire nearest LG Electronics Service Agent.**
- **Do not wash the exterior of inlet or bottom surface with water or detergent.**
It may damage product or cause electric shock.
- **Frequent start/stop operation of the touch switch reduces the lifetime of the product.**
- **When the sterilization is in operation, UV lamp is in operation, so do not look in directly the UV light.**
It may harm your eyes or skin, and may cause skin ailment such as red spots. If you get something wrong by mistake, follow the prescription of the doctor.
- **This appliance can be used by children aged from 8 years and above and persons with reduced physical sensory or mental capabilities or lack of experience and knowledge if they have been given supervision or instruction concerning use of the appliance in a safe way and understand the hazards involved.**
Children shall not play with the appliance.
Cleaning and user maintenance shall not be made by children without supervision.
- **If the supply cord is damaged, it must be replaced by the manufacturer, its service agent or similarly qualified persons in order to avoid a hazard.**

IMPORTANT SAFETY INSTRUCTIONS

⚠ CAUTION

- **Do not use this cleaner on anything other than AC 220 - 240 V.**
It may cause fire.
- **If the product is not in use for a long period of time, pull out the power plug.**
Water may permeate or dust accumulated to cause electric shock or short circuit fire by heat or fire.
- **Electrostatic may be generated at main body during the cleaning.**
Cleaner may malfunction due to electrostatic, so pull out the power cord and put it back in again.
- **Big objects such as socks, stocking, box tissue, etc., may block the inlet during the cleaning, so please remove them before starting the cleaning.**
Cleaner shall be used to remove dust only.
- **Do not place anything else on the main body station other than main body.**
Especially, metal or magnets cause product disorder.
- **Do not stop at one spot or use it on the same spot repeatedly for a long time.**
The bedding may be damaged by the vibration.
- **Separate the inlet cover, and do not use it for anything else(massage, etc.) than cleaning.**
You may have product damage or light scratch.
- **Do not touch the bottom surface with hand or foot during the vibration operation.**
You may get a light scratch.
- **Make sure to combine the cover to dust bin before the usage, and when it is filled up to the Empty the dust bin Notification line, empty the dust bin.**
If it is used continuously while dust bin is full, it causes disorder.
- **When you pull out the plug, make sure to hold the plug.**
If you hold the cord, part of the core line may be broken to cause heat and fire.
- **If a foreign object is attached to the bottom surface of dust bin, remove it before using the product.**
Cleaner inhaling may not work properly.
- **Make sure to combine the bottom plate and use during the cleaning of the bedding, and do not use it on a solid surface.**
If the bottom plate is not installed and used, by the vibration, and according to the floor material, noise may occur, and it may be deformed.
- **Use it only on beddings such as blanket, mattress, pillows, or cloth sofa.**
The floor may be damaged by the vibration.

Thermal protector :

In the LGE Bedding Cleaner, there is a safety function called 'main body protection device' to stop the operation of the cleaner automatically to prevent overheating of the motor, and it is operated for the following cases.

- When dust is full in dust bin or it is continued to operate with inlet blocked.
- If it is continued to operate without washing the dust bin
- If it is repeatedly used for long time

If the operation stops by main body protection device operation, after pulling out the power plug from the power socket,

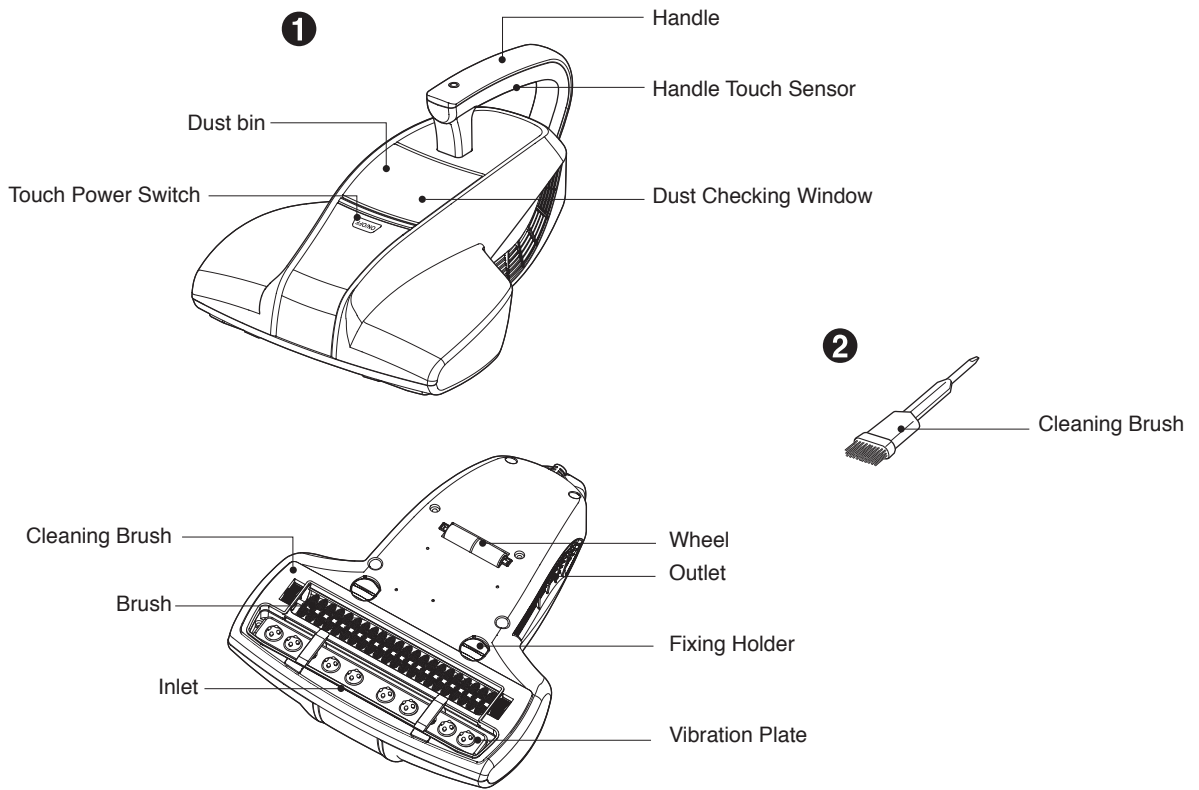
- Empty the dust bin and remove foreign object blocking the inlet.
- Clean the dust filter.

* After about 40 min., main body protection device is released, so it can be used again.

(The waiting time becomes different for the surrounding temperature.)

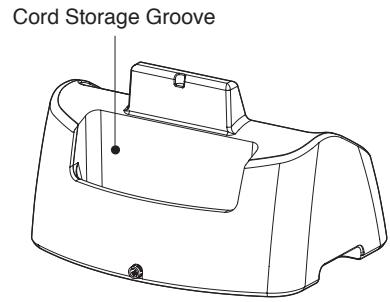
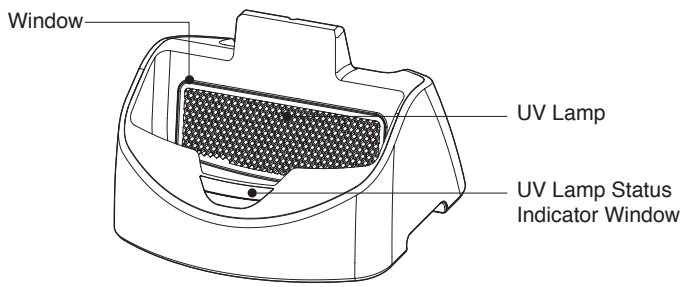
If the same phenomenon occurs after treatment, call the service center.

How to use Assembling bedding cleaner



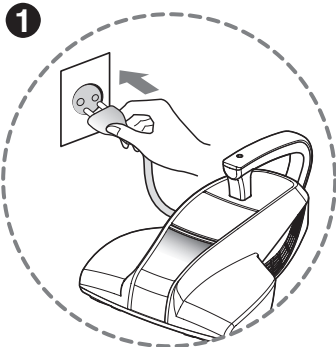
1 Alice(main body)

2 Cleaning Brush



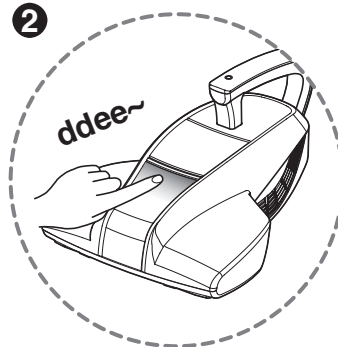
3 Station(Sterilization Station) (selected models)

How to use Using the Product



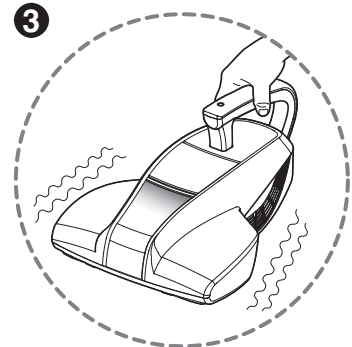
1 Insert the power cord into the power socket.

- When the power cord is inserted into the power socket, it becomes standby state with 'ddee~' sound.



2 Touch switch at the power indicator part must be pressed for operation.

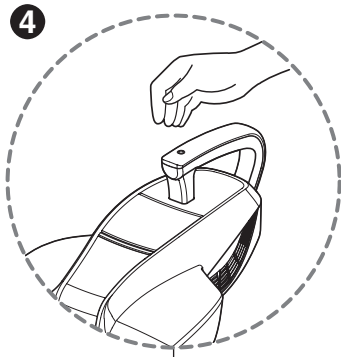
- If touch switch is pressed while power indicator lamp is in standby state(off), the lamp is converted to operation (blue) state with a buzzer sound 'ddee~'.
(No operation is done, and it is the standby state. If you hold the handle in this state, it actually starts the operation.)



3 If you hold the handle, it inhales from the bedding.

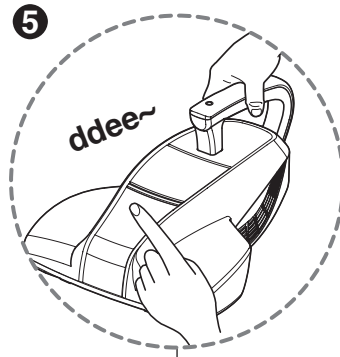
- The handle sensor is a safety device to prevent the operation by the power touch switch being pressed by mistake, and the operation finally starts when the handle is held and it is sensed.
*** When touch switch is pressed while the handle is held, it immediately starts.**

How to use Using the Product



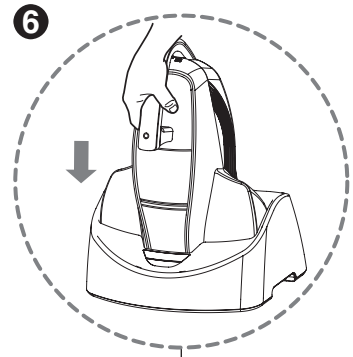
4 Releasing the handle for a moment

- After 1 second after releasing the handle, it stops the inhaling from the bedding.
(The power indicator part is blue lamp state.)
- If the state of releasing the handle, operation stopped, and not holding the handle continues, after 1 minute, the power indicator part is turned off with buzzer sound 'ddeeriri~', and it becomes standby state.
- If you hold the handle within 1 minute, it restarts the inhaling from the bedding.



5 When you want to stop the operation.

- Even if you hold the handle, when you press the touch switch of the power indicator part, the operation stops with the buzzer sound "ddee~", and the lamp is turned off.
- If you want the operation again, it can be done with the normal operation procedure.



6 When you use Sterilizer Station

- Insert the power plug of the station into the power socket.
- Make sure to check if the power is turned off before placing the main body on the station.
- When you place main body on the station according to the grooves, blue lamp on the front panel window is turned on, and UV lamp starts operation for the sterilization at the same time.
- If it passes 5 minutes after placing the main body, the front panel window lamp and UV lamp are automatically turned off at the same time, and the sterilization is completed.
- * If placing and removing is repeated while it does not pass 5 minutes, it is turned off when it passes 5 minutes from the last placement.

How to use

Effective cleaning method according to the cleaning targets

Bed Mattress, Bed Cover



Pillows, Cushions, etc.



Thin cover



Thick covers with fillings



1 Beddings:
Mattress, Bed Cover

- Divide the target space to half, and use it pushing and pulling back and forth from the end.

2 Pillows: Large cushion, normal cushion, pillow

- The targets are narrow, so place the cleaner on it and use it by pushing and pulling back and forth.

3 Blankets: Thick cover, thin cover, blanket

- Use it by pulling back and forth the entire space.

4 Others:
Sofa, Carpet

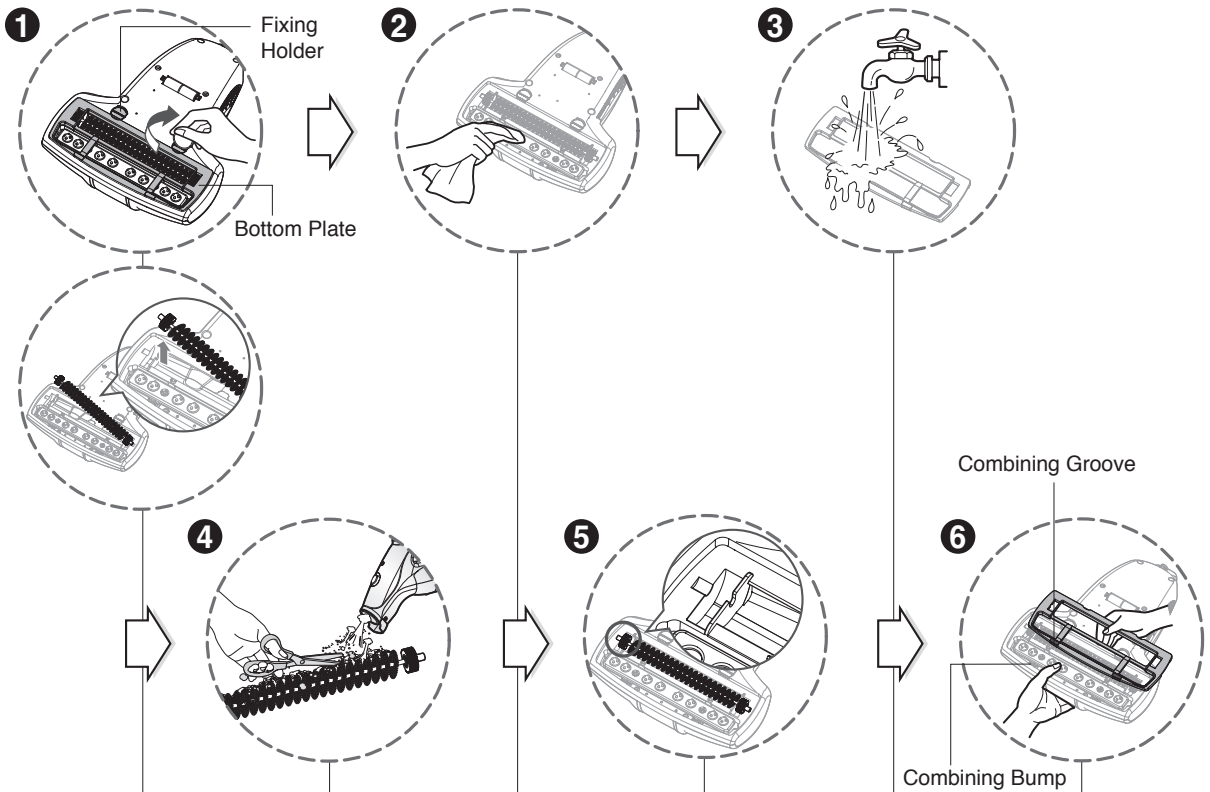
- General Cleaning Type.

CAUTION

Unlike general handy type products, this product is not to be held and used, but is to place on the cleaning target and to clean the fine dust by pressing the target with the weight of the product, so do not use it to inhale big foreign objects.

How to use

How to Wash Inlet



1 Place a soft cloth on the floor, and flip over the main body on it. Check for foreign objects, turn the 2 fixing holders 90°C clockwise and separate the bottom plate by pulling it up. Hold the roller brush and separate it by lifting it up.

2 Wipe the dirty surfaces of inlet main body with a rag.

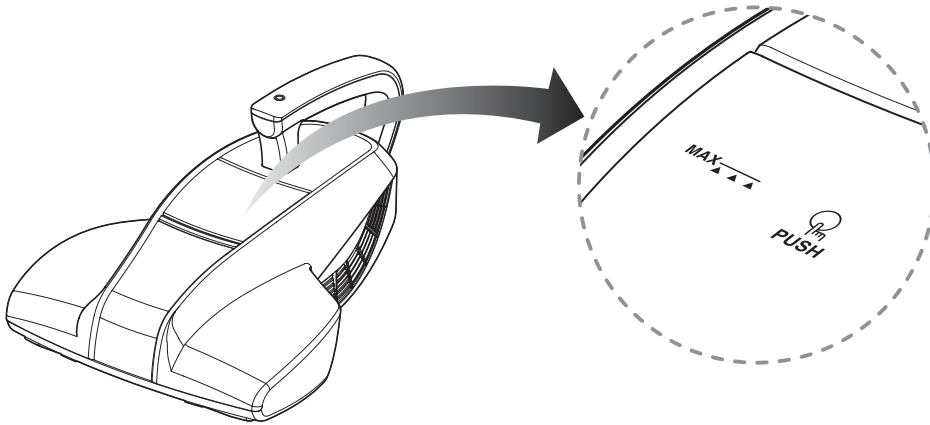
3 Wash the separated bottom plate with water and dry it in a shade.


4 Clean the roller brush with vacuum cleaner or scissors.

5 Insert the fixing hooks on both sides of the roller brush matching the roller brush fixing grooves.

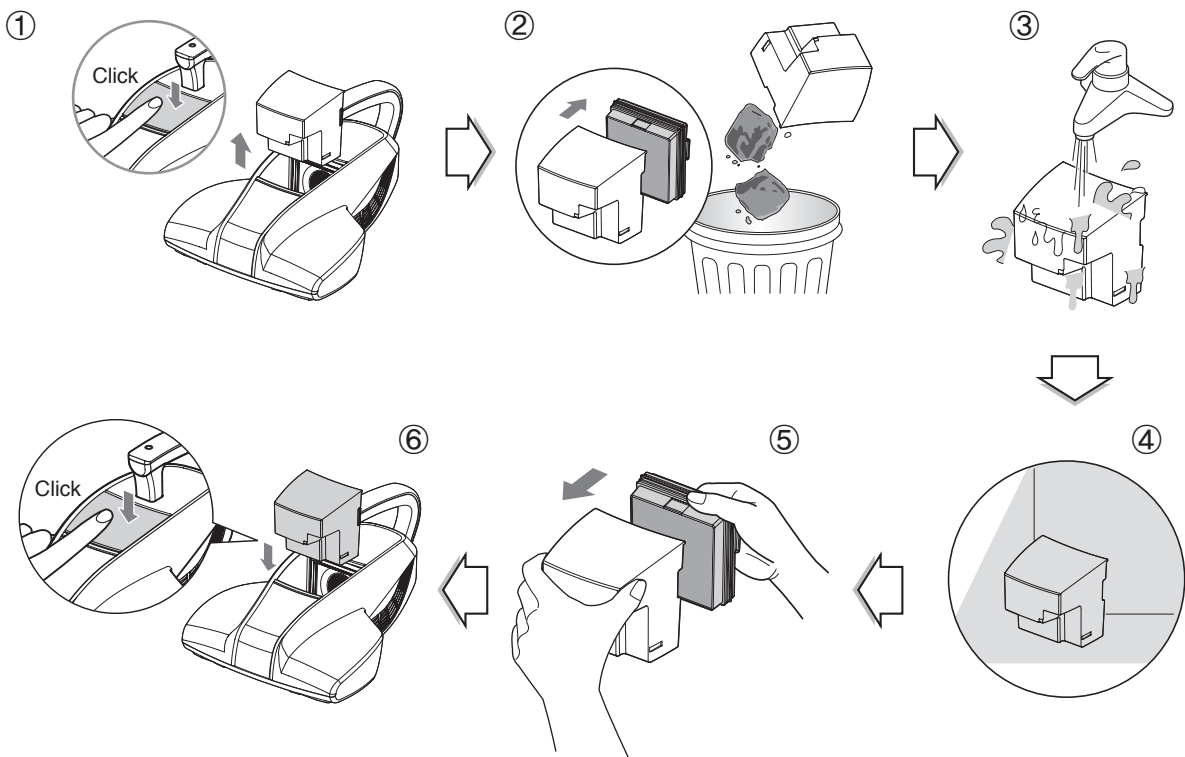
6 Insert the fixing guide at the front of the bottom plate according to the fixing groove of the main body, turn 2 fixing holders 90°C counterclockwise, and fix it.

How to use Emptying Dust bin



MAX  If the nap and fine dust are filled up to the empty line, it is the time to clean the filter, so empty the dust inside the dust bin, separate and clean the filter, before using it again.

How to use Cleaning dust bin



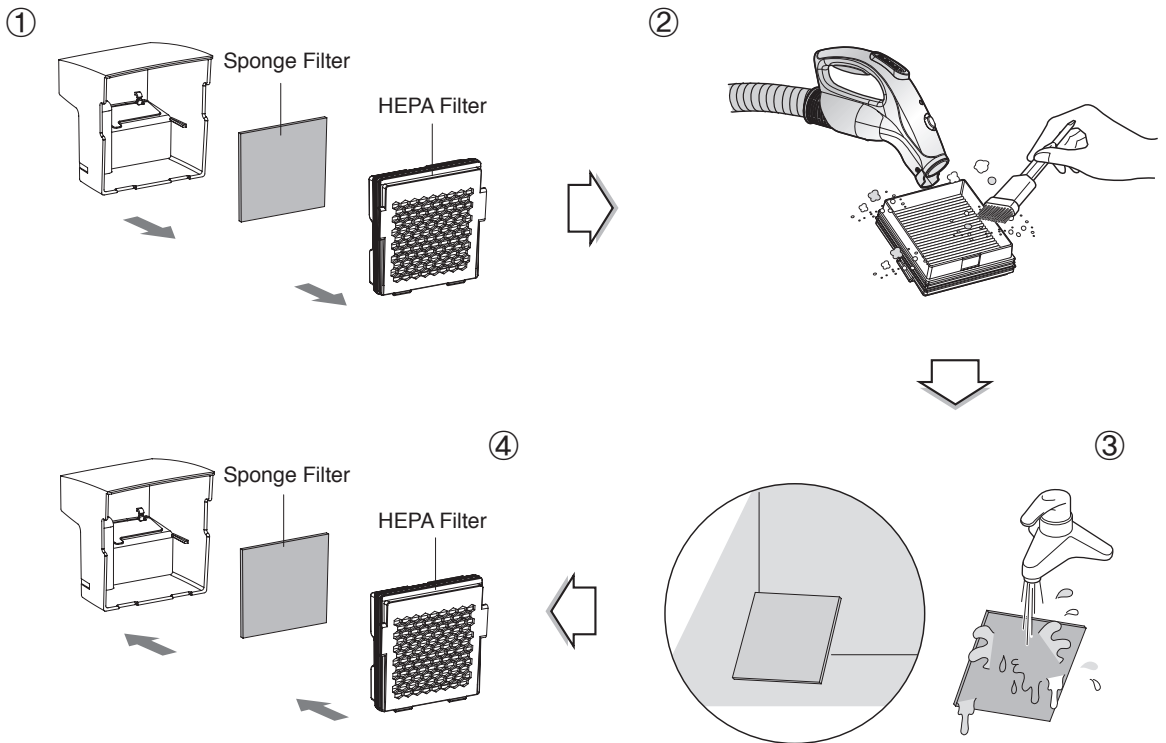
- ① Press the top part of the dust bin until it sounds “click”, and at the same time releasing the hand, take out the risen dust bin from the main body.
- ② Hold both ends, open the filter (sponge filter + HEPA filter), and empty the dust.
- ③ After separating dust bin and filter, wash dust bin cleanly with running water.
- ④ Dry in a shade with good ventilation for about a day, and use it again.
- ⑤ Insert Filter (Sponge filter + HEPA filter) into dust bin.
- ⑥ Insert dust bin into main body, and push down until it sound “click”.

If dust bin is not completely assembled, the inhaling may be weakened.

CAUTION

Use it after dust bin and filter are combined exactly.

How to use Care of Dust Filter



- ① After separating the filter from dust bin, separate sponge filter from HEPA Filter as in the figure.
- ② Clean the filter by cleaning the HEPA filter and the gaps around the filter using the brush and vacuum cleaner.
- ③ Wash Sponge Filter in a running water, and completely dry it in a shade with good ventilation for about a day before using it again.
- ④ Assemble in the reverse order of disassembly.

Troubleshooting Guide

There shall not be a waste of money by requesting service when it is not a disorder.

If there is an abnormality in the product, check the following items first before requesting to service center or the store.

Simple actions in the user manual may solve the problem.

CHECK	PLEASE PERFORM THE FOLLOWING ACTIONS
Inhaling gets weakened and vibrating sound is heard?	<ul style="list-style-type: none"> • Check if inlet or dust bin is blocked by a big foreign object, and if it is blocked, remove the object with chopsticks, etc. • Separate dust bin from the main body, and check if the filters are dirty.
Cleaner is not working at all?	<ul style="list-style-type: none"> • Check if power plug is inserted in the power socket. • Check if the electricity is connected by inserting other products (dryer, fan, etc.) into the power socket. • Check if you operated with the operation procedure of each function.
Why does it suddenly stop?	<ul style="list-style-type: none"> • This product has inlet motor overheat prevention device, and it may stop temporarily when the following cases occur. <ul style="list-style-type: none"> – If it is used when dust and wastes are full in dust bin and filters. – If it is used with the inlet blocked – If the product is used excessively for a long time • When touch switch was operated by other touches • If handle of the main body is released during the operation, if 3 seconds pass, the operation automatically stops, and after about 1 minute, it converts to standby state.
Big noise coming from the cleaner?	<ul style="list-style-type: none"> • It is the sound of the motor's high speed rotation by high power of cleaner's inlet, and the sound from the front of the nozzle is caused by punching function, so use it without worries. • If dust bin is not completely assembled, noise may occur. Assemble dust bin completely.
Odor comes out of the cleaner?	<ul style="list-style-type: none"> • It works normally, it is not a disorder. • It is a new product for 3 months from the purchase, so it may smell rubbers. (Same principle as new furniture smell.) • If it is used for a long time, odor is caused by the dust in the dust bin, so empty the dust bin and use it after washing it.
Hot air comes out, and main body is hot?	<ul style="list-style-type: none"> • The air coming out of the outlet is the wind after cooling the motor heat, so do not worry.
Station does not work.	<ul style="list-style-type: none"> • Check if the station power is connected. • Check if the main body is placed correctly on the station.
It only vibrates, but no inhaling.	<ul style="list-style-type: none"> • Because of inhaling motor overheat prevention device, it may occur when 1) dust bin is full, 2) filter or inlet is blocked, or 3) it is used for a long time, and it can be used normally when the protection device is released after about 40 minutes. <ul style="list-style-type: none"> – Before using it again, clean the filter and dust bin. – If the inlet is blocked, please remove the foreign object.



WARNING

Should it become necessary to replace the defective plug then the defective plug should be replaced by a qualified electrician.

