



ENGLISH

# OWNER'S MANUAL

# CAR DVD Receiver

Please read this manual carefully before operating your set and retain it for future reference.

**MODEL**  
LDF900UNS

P/NO : MFL63284834

[www.lg.com.mx](http://www.lg.com.mx)

# 1 Safety Information



**CAUTION:** TO REDUCE THE RISK OF ELECTRIC SHOCK DO NOT REMOVE COVER (OR BACK) NO USER-SERVICEABLE PARTS INSIDE REFER SERVICING TO QUALIFIED SERVICE PERSONNEL.



This lightning flash with arrowhead symbol within an equilateral triangle is intended to alert the user to the presence of uninsulated dangerous voltage within the product's enclosure that may be of sufficient magnitude to constitute a risk of electric shock to persons.



The exclamation point within an equilateral triangle is intended to alert the user to the presence of important operating and maintenance (servicing) instructions in the literature accompanying the product.



Always operate the vehicle in a safe manner. Do not become distracted by the vehicle while driving, and always be fully aware of all driving condition. Do not change settings, or any functions. Pull over in a safe and legal manner before attempting such operations.



Do not use for many hours at extremely low or high temperature. (-10 °C to 60 °C)



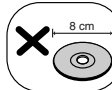
To reduce the risk of electric shock, do not remove the cover or back of this product. There are no user-serviceable parts inside. Refer servicing to qualified service personnel.



To reduce the risk of fire or electric shock, do not expose this product to dripping or splashing water, rain, or moisture.



The temperature of unit's outside can be extremely high, please use the unit after proper installation in your vehicle.



This unit cannot play 8 cm disc (use 12 cm disc only).



While driving, keep the sound volume at a proper level.



Do not drop it and avoid heavy impacts at anytime.



The driver must not watch the monitor while driving. If the driver watches the monitor while driving, it may lead to carelessness and cause an accident.



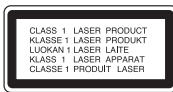
This unit is for vehicles with a 12-volt battery and negative grounding. Before installing it in a recreational vehicle, lorry or bus, check the battery voltage. To avoid shorts in the electrical system, be sure to disconnect the E battery cable before beginning the installation.

**CAUTION:** This product employs a Laser System.

To ensure proper use of this product, please read this owner's manual carefully and retain it for future reference. Shall the unit require maintenance, contact an authorized service centre.

Use of controls, adjustments or the performance of procedures other than those specified herein may result in hazardous radiation exposure.

To prevent direct exposure to laser beam, do not try to open the enclosure. Visible laser radiation when open. **DO NOT STARE INTO BEAM.**



"This device is equipped with a portable battery or accumulator.

**Safe way to remove the battery or the battery from the equipment:**

Remove the old battery or battery pack, follow the steps in reverse order than the assembly. To prevent contamination of the environment and bring on possible threat to human and animal health, the old battery or the battery put it in the appropriate container at designated collection points. Do not dispose of batteries or battery together with other waste. It is recommended that you use local, free reimbursement systems batteries and accumulators."

The battery shall not be exposed to excessive heat such as sunshine, fire or the like.

You have to set the disc format option to [Mastered] in order to make the discs compatible with the LG players when formatting rewritable discs. When setting the option to Live File System, you cannot use it on LG players.

(Mastered/Live File System : Disc format system for Windows Vista)

**For ensuring safe driving**

- To avoid the risk of accident and the potential violation of applicable laws, this unit is not for use with a video screen that is visible to the driver.
- This unit detects whether your car's parking brake is engaged or not, and prevents you from watching a DVD,VCD, PHOTO or movie file on the display connected to FRONT VIDEO OUTPUT while driving. When you attempt to watch a DVD,VCD, PHOTO or movie file the screen will turn black. When you park your car in a safe place and apply the parking brake, the picture appears on the screen.

# Contents

## 1

### Safety Information

---

- 2 Safety Information

## 2

### Preparation

---

- 6 Introduction
- 9 Front panel
- 10 Remote control

## 3

### Installation

---

- 11 About detachable control panel
  - 11 Attaching the control panel
  - 12 Detaching the control panel
- 13 Basic Installation
  - 13 Basic Installation
  - 13 Removing the existing receiver unit
  - 14 ISO-DIN Installation
- 14 Remote Control Battery Installation
- 15 Connection
  - 15 Connecting to a car
  - 16 Connecting to optional equipment
- 17 Adjusting the general settings
  - 17 The buttons for setting MENU
  - 17 MENU item overview
  - 18 XDSS+/EQ
  - 18 Sound
  - 19 Display
  - 19 Light
  - 20 Setup

## 4 Operation

---

- 21 **Basic Operations**
- 22 **Other Operations**
  - 22 To display file information
  - 22 To slow down the playing speed
  - 22 To play frame-by-frame
- 23 Quick search
- 23 Using the Func menu
- 24 Using the time search bar
- 24 Resume playback
- 25 Viewing a photo
- 25 **Listening to the radio**
  - 26 Storing desired frequencies manually
  - 26 Listening to a preset station
  - 26 Adjusting Tuner settings
- 27 **Enjoying music or movie by connecting an external device**
  - 27 Preventing radical changes in volume as switching sources
- 28 **Recording to USB from Disc or FM tuner**

## 5 Maintenance

---

- 29 Notes on Discs
- 29 Handling the Unit

## 6 Troubleshooting

---

- 30 Troubleshooting

## 7 Appendix

---

- 31 Area Code List
- 32 Steering Remote Control
- 36 Specifications
- 37 Trademarks and Licences

1

2

3

4

5

6

7

# 2 Preparation

2

Preparation

## Introduction

### About the $\emptyset$ Symbol Display


" $\emptyset$ " may appear on your monitor display during operation and indicates that the function explained in this owner's manual is not available on that disc.

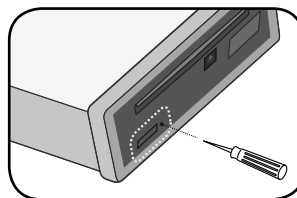
### Symbol Used in this Manual

<b>DVD</b>	DVD-Video, DVD $\pm$ R/RW in Video mode or VR mode and finalized
<b>ACD</b>	Audio CDs
<b>MOVIE</b>	Video files
<b>MUSIC</b>	Audio files
<b>PHOTO</b>	Photo files

### Resetting the unit

You can reset the unit when it does not operate properly.

1. Press  to open the control panel.  
Refer to the page 12 for detaching the control panel.
2. Prick the reset hole with a sharp object.



## Playable USB device

### Requirement

- Do not extract the USB device during operation (play, etc.).
- An USB device which requires additional programme installation when you have connected it to a computer, is not supported.
- USB device: USB device that support USB 1.1 and USB 2.0 Full Speed.
- Movie, music and photo files can be played. For details of operations on each file, refer to relevant pages.
- Regular back up is recommended to prevent data loss.
- If you use a USB extension cable, USB HUB, USB Multi-reader, or external HDD, the USB device may not be recognized.
- When you connect a partitioned USB device into the unit, only the first partition is recognized on it.
- Some USB device may not work with this unit.
- Digital camera and mobile phone are not supported.
- USB Port of the unit cannot be connected to PC. The unit cannot be used as a storage device.

## File compatibility

### Audio files

- Sampling frequency : within 8 kHz to 48 kHz (MP3), below 48 kHz (WMA)
- Bit rate : within 8 kbps to 320 kbps (MP3), below 320 kbps (WMA)
- File extensions: ".mp3", ".wma", ".wav", ".ogg", ".aac(less than 16 kHz)"
- Maximum files : Under 3000.
- CD-ROM file format : ISO9660/ JOLIET.
- We recommend that you use Easy-CD Creator, which creates an ISO 9660 file system.

### Photo files

- Max pixel in width : 4000 x 4000 pixel.
- Maximum files : Under 3000.
- Some discs may not operate due to a different recording format or the condition of disc.
- File extensions: ".jpg", ".jpeg", ".png", ".gif", ".tiff", ".bmp"
- CD-ROM file format : ISO9660/ JOLIET.

### Video files

- Available resolution size: 720 x 576 (W x H) pixels
- Frame rate: 30 FPS
- Playable codec format: "MPEG1", "MPEG2", "MPEG4", "MP4V3S", "3IVX" "MSVC", "3IV0", "3IV1", "3IV2".
- This player supports only 1 warp point of Global Motion Compensation (GMC).

## Playable Discs



DVD-VIDEO (12 cm disc)  
Discs such as movies that can be purchased or rented.



DVD-R (12 cm disc)



DVD-RW (12 cm disc)



DVD+R (12 cm disc)  
Supports the double layer disc also.



DVD+RW (12 cm disc)

DVD-ReWritable



Audio CD: Music CDs or CD-R/CD-RW in music CD format that can be purchased.

Some DVD±RW/DVD±R or CD-RW/CD-R cannot be played on this unit due to the recording quality or physical condition of the disc, or the characteristics of the recording device and authoring software.

## Regional Codes

This unit has a regional code printed on the top of the unit. This unit can play only DVD discs labeled same as the top of the unit or "ALL".

## Copyrights

It is forbidden by law to copy, broadcast, show, broadcast via cable, play in public, or rent copyrighted material without permission. This product features the copy protection function developed by Rovi. Copy protection signals are recorded on some discs. When recording and playing the pictures of these discs picture noise will appear. This product incorporates copyright protection technology that is protected by U.S. patents and other intellectual property rights. Use of this copyright protection technology must be authorized by Rovi, and is intended for home and other limited viewing uses only unless otherwise authorized by Rovi. Reverse engineering or disassembly is prohibited.

CONSUMERS SHOULD NOTE THAT NOT ALL HIGH DEFINITION TELEVISION SETS ARE FULLY COMPATIBLE WITH THIS PRODUCT AND MAY CAUSE ARTIFACTS TO BE DISPLAYED IN THE PICTURE. IN CASE OF 525 OR 625 PROGRESSIVE SCAN PICTURE PROBLEMS, IT IS RECOMMENDED THAT THE USER SWITCH THE CONNECTION TO THE 'STANDARD DEFINITION' OUTPUT. IF THERE ARE QUESTIONS REGARDING OUR TV SET COMPATIBILITY WITH THIS MODEL 525p AND 625p UNIT, PLEASE CONTACT OUR CUSTOMER SERVICE CENTER.

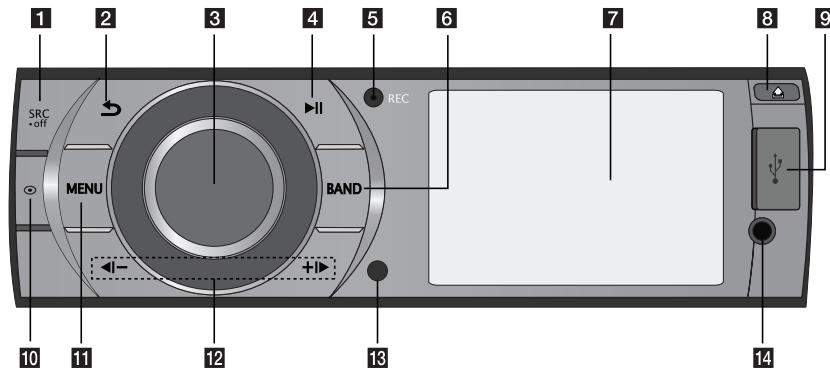
The making of unauthorized copies of copy-protected material, including computer programmes, files, broadcasts and sound recordings, may be an infringement of copyrights and constitute a criminal offense.

This equipment should not be used for such purposes.

**Be responsible  
Respect copyrights**



## Front panel



### 1 SRC • OFF

- When pressed, selects function sources.
- When pressed and held, powers unit on or off.

### 2 Returns to the previous step.

### 3 Volume knob

- Adjusts volume level.
- Confirms the settings.
- Checks tracks or files.

### 4 ►|| Plays and pauses playback.

### 5 REC Recording to USB

### 6 BAND

- Selects a band in Tuner mode.
- Selects a category menu during playback of a disc or USB containing with music, movie, and photo files together.

### 7 Display window

### 8 Opens the front panel.

### 9 USB port

### 10 Displays file or disc information.

### 11 MENU

Activates or deactivates a setting menu.

### 12 ◀-/+▶

Skip / Search / Seek / Tune

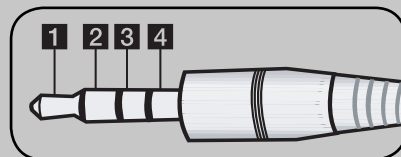
### 13 Remote Sensor

### 14 AUX

If connected to other portable player, you can enjoy music or movie on the unit.

### ! NOTE

For video playback from an external device, you should connect it with a 3.5 mm (4-pole) jack as below.



1 Audio L

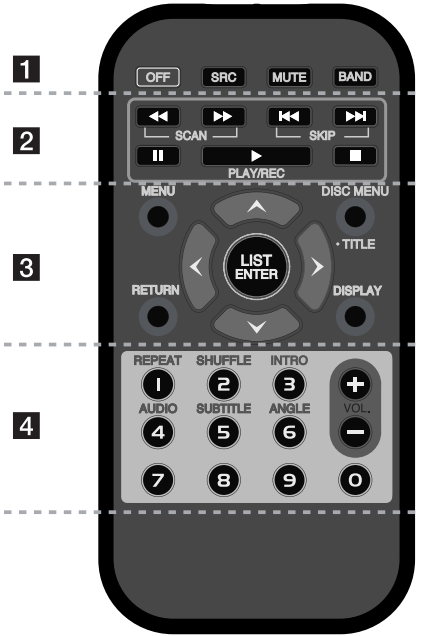
3 GND

2 Audio R

4 Video

# Remote control

2  
Preparation



..... **1** .....

- OFF:** Powers off the unit.
- SRC:** Selects function sources.
- MUTE:** Temporarily stops the sound.
- BAND :**
  - Selects a band in Tuner mode.
  - Selects a category menu during playback of a disc or USB containing with music, movie, and photo files together.

..... **2** .....

**◀◀/▶▶ SCAN:** Searches backward or forward.

**◀◀/▶▶ SKIP:** Goes to the next or previous chapter / track / file.

**⏸ :** Pauses playback.

**▶ :** Starts playback or recording.

**■ :** Stops playback.

..... **3** .....

**MENU:** Activates or deactivates setting menu.

**RETURN:** Returns to the previous step.

**Direction buttons:** Selects an option in the menu.

**LIST/ ENTER :**

- Checks tracks or files in Disc mode or preset stations in Tuner mode.
- Confirms the settings.

**DISPLAY:** Displays or exits On-Screen Display.

**DISC MENU/- TITLE:**

- When pressed, it accesses menu on a disc.
- When pressed and held, it displays the DVD title menu, if available.

..... **4** .....

**Numeric buttons (1 - 6)**

Selects a numbered preset station in Tuner or a chapter when a DVD disc is inserted.

**VOL. +/- :** Adjusts volume level.

**REPEAT :** Repeat playback

**SHUFFLE :** Random playback

**INTRO:** Intro scan

**AUDIO:** Selects audio language or channel.

**SUBTITLE:** Selects a desired subtitle language.

**ANGLE:** Selects a DVD camera angle if available.

# 3

## Installation

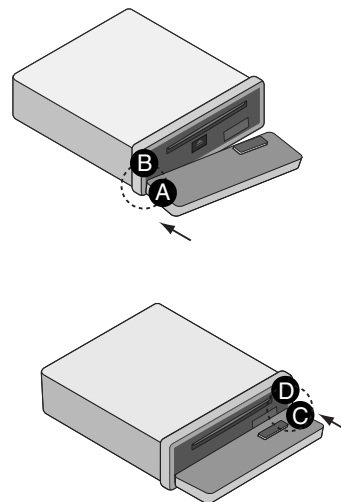
### About detachable control panel

You should attach the control panel after unpacking the box to use the receiver unit. And you can detach it according to your needs and keep it in the protective case.

#### Attaching the control panel

1. Attach part **A** of the control panel to part **B** of the unit.
2. Attach part **C** of the control panel to part **D** of the unit while pushing the control panel to left.
3. Close the control panel.

#### Attaching the control panel

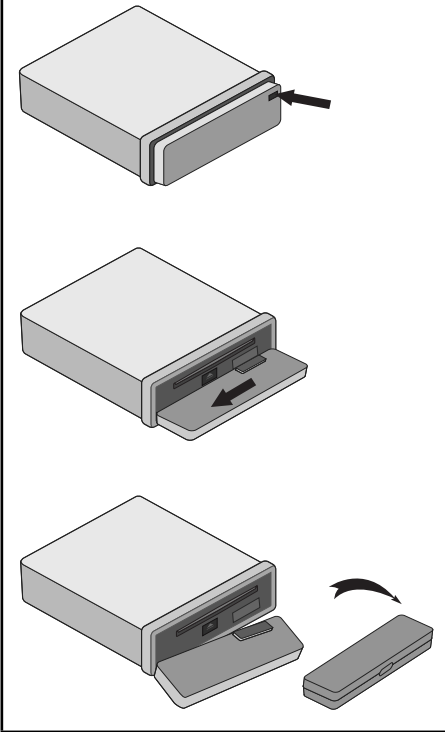



#### ! CAUTION

- The control buttons may not work properly if the control panel is not attached properly. If this occurs, gently press the display.
- Do not leave the control panel in any area exposed to high temperatures or direct sunlight.
- Do not drop the control panel or otherwise subject it to strong impact.
- Do not allow such volatile agents as benzene, thinner, or insecticides to come into contact with the surface of the control panel.

## Detaching the control panel

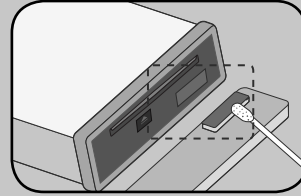
### Detaching the control panel



1. Press  to open the control panel.
2. Push the control panel to left.
3. Pull the control panel out of the unit.
4. Put the detached control panel into the protective case.

### ! NOTE

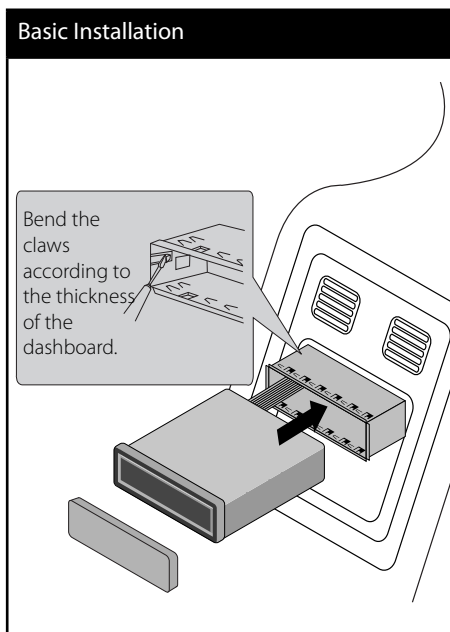
Periodically wipe the contacts on the back of the control panel with a cotton swab moistened with alcohol. For safety, turn off the ignition before cleaning, and remove the key from the ignition switch.



## Basic Installation

### Basic Installation

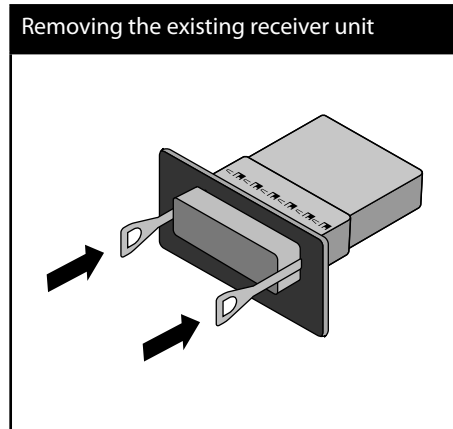
Before installing, make sure that the ignition-switch is set to OFF and remove the terminal of the car battery to avoid short-circuiting.



1. Remove the existing receiver unit.
2. Make the necessary connections.
3. Install the installation sleeve.
4. Install the unit into the installation sleeve.

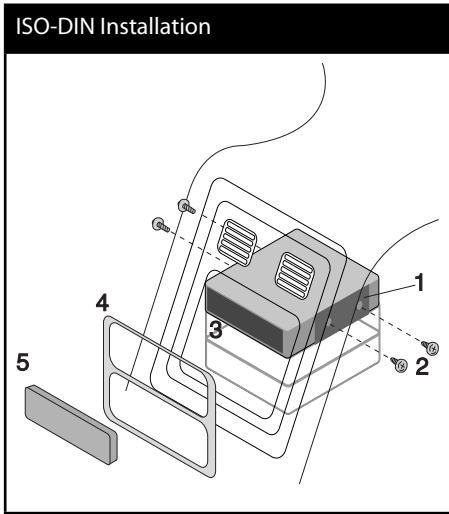
### Removing the existing receiver unit

If there is already an installation sleeve for the receiver unit in the dashboard, it must be removed.



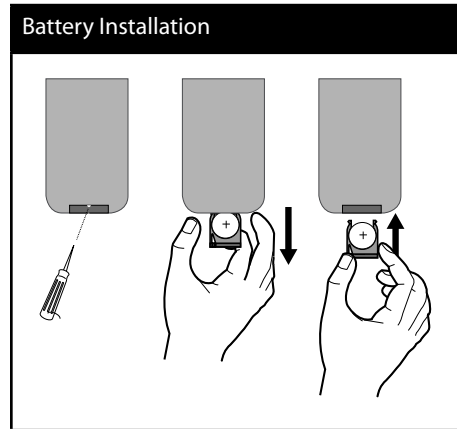
1. Remove the rear support from the unit.
2. Remove the control panel and trim ring from the unit.
3. Insert the lever into the hole on one side of the unit. Perform the same operation on the other side and pull the unit out from the mounting sleeve.

### ISO-DIN Installation



1. Slide the unit into the ISO-DIN frame.
2. Fit screws removed from the old unit.
3. Slide the unit and frame into the dash opening.
4. Install the dash panel or adapter plate.  
(According to models, this step may not be needed.)
5. Install the control panel to the unit.

### Remote Control Battery Installation



1. Pull out the battery holder with a sharp product like a ball point pen.
2. Put the battery with **+** and **-** correctly on the battery holder.
3. Push the battery holder back into its original position.

**NOTE**

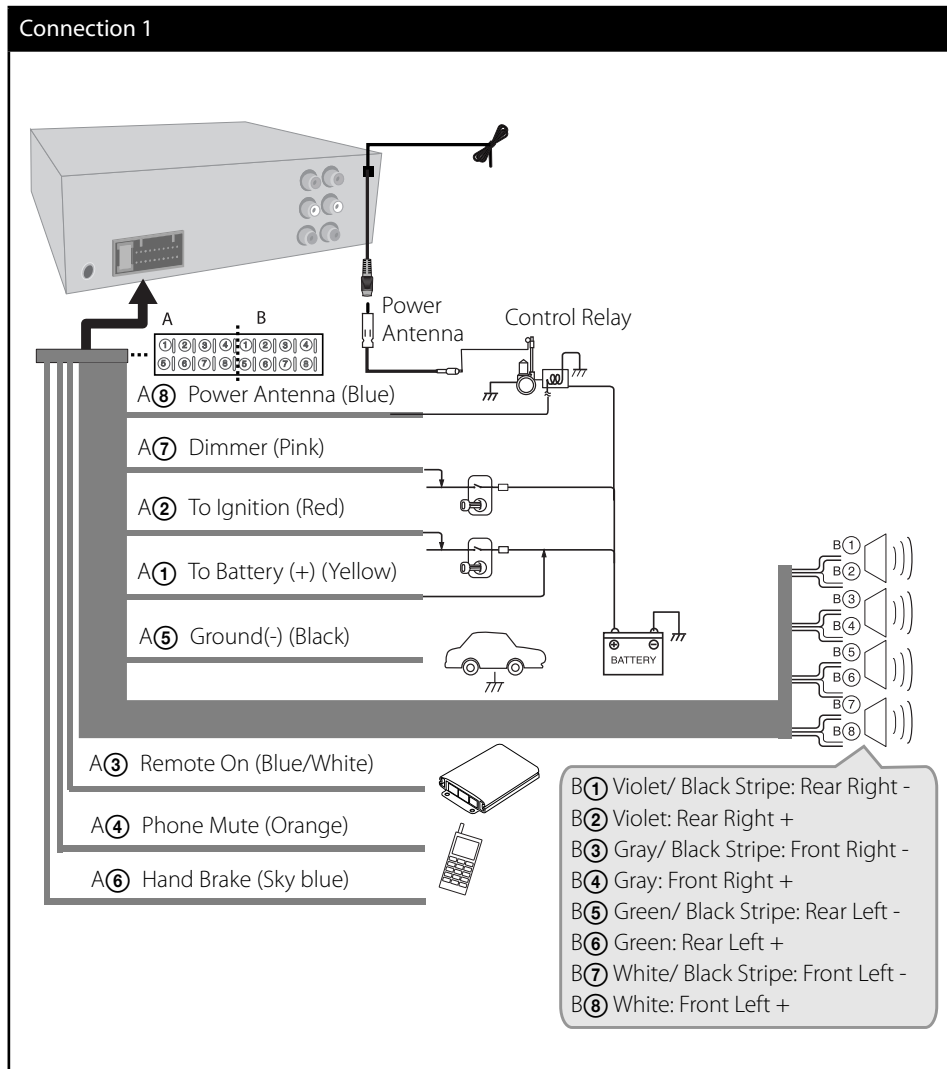
- Use only one CR2025 (3 V) lithium battery.
- Remove the battery if the remote control is not used for a long period of time.
- Do not leave the product in a hot or humid place.
- Do not handle the battery with metallic tools.
- Do not store the battery with metallic materials.

# Connection

## Connecting to a car

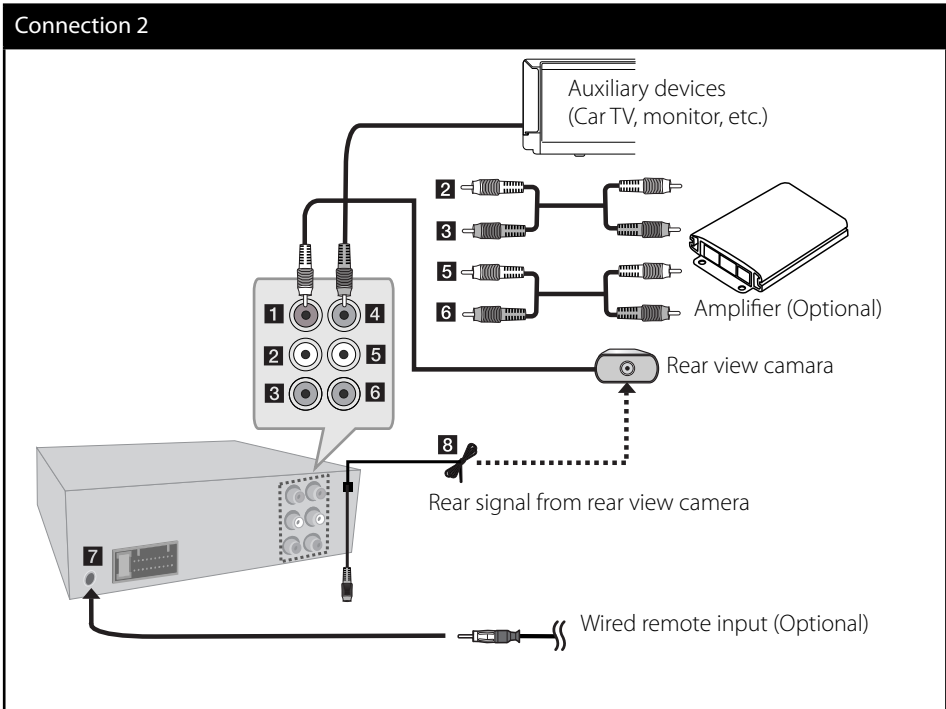
Before installing, make sure that the ignition-switch is set to OFF and remove the terminal of the car battery to avoid short-circuiting.

Connection 1



### Connecting to optional equipment

You can connect optional equipment to the corresponding terminals of the unit.



No.	Terminal	Position
1	Video IN	Rear view cameras
2	Audio out	Rear left speaker or Subwoofer left (Optional)
3	Audio out	Rear right speaker or Subwoofer right (Optional)
4	Video out	Auxiliary devices (Car TV, monitor, etc.)
5	Audio out	Front left speaker
6	Audio out	Front right speaker
7	Wired remote input	Hard-wired control adapter (Not supplied)
8	Rear signal from rear view camera	Rear view camera



## Adjusting the general settings

You can change the settings of the unit by pressing **MENU**.



### The buttons for setting MENU

Main unit	Remote control	Operation
Press <b>MENU</b>	<b>MENU</b>	Activates or deactivates a setting menu.
Rotate <b>volume knob</b>	^/V </>	<ul style="list-style-type: none"> <li>Moves to other menu items.</li> <li>Adjusts the setting level.</li> </ul>
Press <b>volume knob</b>	<b>LIST/ENTER</b>	<ul style="list-style-type: none"> <li>Confirms the selected menu or the set level.</li> <li>Selects or sets the menu option, only when just 3 menu options exist.</li> </ul>
	<b>RETURN</b>	<ul style="list-style-type: none"> <li>When it is pressed, you can move to the previous step.</li> <li>When it is pressed and held, you can return to the playback status.</li> </ul>

## MENU item overview

<b>XDSS+ /EQ</b>	OFF
	XDSS+
	Pop
	Classic
	Rock
	Jazz
	Vocal
	Salsa
	Samba
	Reggae
Russy	
User EQ 1	
User EQ 2	
<b>Sound</b>	Balance/Fader
	Subwoofer
	User EQ 1/2
	Auto-EQ
	DRC
<b>Display</b>	Language
	TV Aspect
	B.L.E
	Album Art
	TV System
	Code Page
<b>Light</b>	Brightness
	Contrast
<b>Setup</b>	DVD Audio Lang
	DVD Subtitle Lang
	DVD Menu Lang
	Lock
	REC Bit Rate
	Beep
	Clock

## XDSS+/EQ

The function helps you to enjoy sound more plentifully. The indicator lights up in the following order.

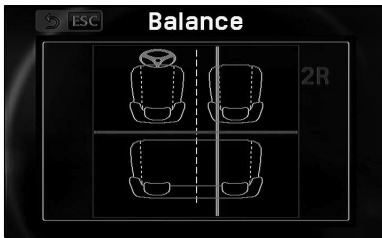
OFF → XDSS+ → Pop → Classic → Rock → Jazz → Vocal → Salsa → Samba → Reggae → Russy → User EQ 1 → User EQ 2 → ..

## Sound

### Balance/ Fader

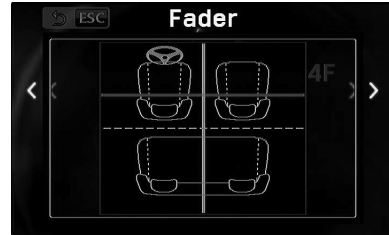
You can adjust left/right/ front/rear speaker output.

1. Press **MENU**.
2. Select **[Sound]** and press the volume knob (**LIST/ENTER** on the remote control).
3. Select **[Balance/Fader]** and press the volume knob (**LIST/ENTER** on the remote control).
4. Adjust the balance (left/ right speaker) level by using the volume knob (**▲** or **▼** on the remote control).



And press the volume knob (**LIST/ENTER** on the remote control).

5. Adjust the fader (front/ rear speaker) level by using the volume knob (**▲** or **▼** on the remote control).



And press the volume knob (**LIST/ENTER** on the remote control).

### Subwoofer

#### Subwoofer level

Adjusts the subwoofer output.

#### Subwoofer Frequency

Adjusts the subwoofer frequency .

### User EQ 1/2

You can adjust Bass, Middle, or Treble levels by rotating the volume knob on the unit or pressing **<** or **>** on the remote control.

### Auto-EQ

It realizes the sound equalizer that is the most similar to the genre of which is included in the ID3 tag of song files. Auto-EQ operates only in the music file supported with genre in the device.

### DRC(Dynamic Range Control)

Makes the sound clear when the volume is turned down (Dolby Digital only). Set to **[ON]** for this effect.

## Display

### Language

Selects a language for the Setup menu and on- screen display.

### TV Aspect

Select a TV aspect ratio option according to your monitor type.

#### [16:9]

Select when a 16:9 wide monitor is connected. The 4:3 picture is adjusted horizontally (in a linear proportion) to fill the entire screen.

#### [4:3 Letter Box]

Select when a standard 4:3 monitor is connected. Displays theatrical images with masking bars above and below the picture.

#### [4:3 Pan Scan]

Select when a standard 4:3 monitor is connected. Displays pictures cropped to fill your monitor screen. Both sides of the picture are cut off.

### B.L.E (Black Level Enhancement)

Enhances the black level only when you set your monitor to NTSC.

### Album Art

When listening to music files, you can select the display view by pressing **DISPLAY**. Then, if you set Album Art view, you can adjust the view to your reference.

#### [Text]

Displays only the texts of ID3 tag or CD text.

#### [Thumbnail]

Displays both texts and album art images of ID3 tag.

### [Full Screen]

Displays both title texts and album art images of ID3 tag in full screen.

### TV System

You should select an appropriate system mode for your monitor system among NTSC, PAL, or Auto.

### Code Page

If the CD TEXT, ID3 TAG, or movie file's subtitle is not displayed properly, you can change the code page to view it properly.

1. Select an appropriate code page by using the volume knob (**▲** or **▼** on the remote control).
2. Press the volume knob (**LIST/ENTER** on the remote control) repeatedly until the text is displayed properly and then press it.

## Light

### Brightness

Adjusts the brightness level of the display window for Daylight or Nighttime.

### Contrast

Adjusts the contrast level of the display window for Daylight or Nighttime.



#### NOTE

According to the dimmer status of a car, the unit recognizes Daylight or Nighttime.

## Setup

### DVD Audio / DVD Subtitle / DVD Menu Language

Select the language you prefer for the audio track (disc audio), subtitles, and the disc menu during DVD playback.

---

#### Original

Refers to the original language in which the disc was recorded.

---



---

### Lock

#### Password

You can change password. When you use the unit first, input the default password of 0000.

1. Input a current password and press the volume knob (**LIST/ENTER** on the remote control).
  2. Input a new password and press the volume knob (**LIST/ENTER** on the remote control).
  3. Enter the password again and press the volume knob (**LIST/ENTER** on the remote control) to verify.
- 

#### Area Code

Enter the code of the area whose standards were used to rate the DVD video disc, based on the list on page 31.

---

#### Rating

Blocks playback of rated DVD based on their content. (Not all discs are rated.)

#### [Rating 1-8]

Rating one (1) has the most restrictions and rating eight (8) is the least restrictive.

---

### REC Bit Rate

You can set the quality of the recorded file among 96 Kbps, 128 Kbps, or 192 Kbps.

---

### Beep

#### 2nd

The beep is generated when a key is pressed for longer than 2 seconds.

---

#### All

The beep is generated when any key is pressed.

---

#### OFF

The beep is deactivated.

---



---

### Clock

Only when you set CT to OFF on the Func menu of Tuner mode, you can adjust it.

---

#### Time format

You can adjust the time system between 12 Hours and 24 Hours systems.

---

#### Clock Setting

Set the hour and then the minute by using the volume knob (**Λ** or **V** on the remote control). After setting each one, press the volume knob (**Λ** or **V** on the remote control) to confirm it.

---




#### NOTE


If you set the Time Format to 12 Hours, you should set one between AM and PM first.

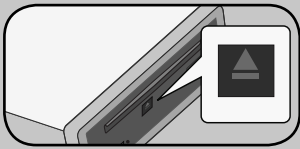
# 4 Operation

## Basic Operations

1. Turn the unit on by pressing any key on the unit.
2. Insert the disc after pressing  or connect the USB device to the USB port.
3. Select the Disc or USB function by pressing **SRC**.
4. Rotate the volume knob on the unit or press **VOL.+/-** on the remote control.

### NOTE

Make sure to press  after opening the front panel to release a disc. Refer to the picture as below.



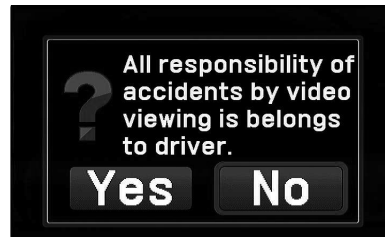
### To use a mixed disc or USB device

When playing a disc or USB device containing with audio, video, and photo files together, you can select a file category which you would like to play by pressing **BAND**.

## Before watching DVD

### DVD | MOVIE

When you attempt to watch a DVD, the screen is displayed as below. Then, select [Yes] or [No] by rotating the volume knob or pressing < or > on the remote control.



#### [Yes]

The playback starts without any restriction.

#### [No]

The screen is turned black 5 seconds after selecting the item. However, when you press any key, the screen is turned on and off after 5 seconds.

### NOTE

Even though you select [No], if you connect a hand brake line to the unit, the screen is not turned black even after 5 seconds.

## To pause playback

Press **▶||** (**||** on the remote control) during playback.

Press **▶||** (**▶** on the remote control) to resume playback.

## To scan forward or backward

### • On the unit

Press and hold **◀|** or **|▶** repeatedly during playback to play fast forward or fast reverse with various playback speeds.

### • On the remote control

Press **◀◀** or **▶▶** repeatedly during playback to play fast forward or fast reverse with various playback speeds.

## To skip to the next/previous chapter/track/file

During playback, press **◀|** or **|▶** (**◀◀** or **▶▶** on the remote control) to go to the next chapter/track/file or to return to the beginning of the current chapter/track/file.

Press **◀|** (**◀◀** on the remote control) twice briefly to step back to the previous chapter/track/file.

## Turning off the sound temporarily

1. Press **MUTE** to mute your unit.
2. To cancel, press any key.

## Other Operations

### To display file information

If you want to display a currently playing file/disc during playback, press **Ⓢ** (**DISPLAY** on the remote control).



#### NOTE

For music files, press **Ⓢ** (**DISPLAY** on the remote control) repeatedly during playback, you can set the display background with File name, ID3 TAG, or Clock time.

### To slow down the playing speed

While the playback is paused, press **▶▶** repeatedly to play various speeds of slow motion for movie files.

### To play frame-by-frame

Press **||** while movie playback.

Press **||** repeatedly to play Frame-by-Frame playback.

## Quick search

1. Press the volume knob (**LIST/ENTER** on the remote control) to check files.



2. Press **↵** (**RETURN** on the remote control) to check folders.
3. Select a desired folder by using the volume knob (**▲/▼/◀/▶** on the remote control).
4. Press the volume knob (**LIST/ENTER** on the remote control).
5. Select a desired file/ track by using the volume knob (**▲** or **▼** on the remote control).
6. Press the volume knob on the unit (**LIST/ENTER** on the remote control) to start playback.

For a DVD disc, you can search according to the items below. When you select Title Search or Chpter Search, you can select a desired chapter or title by using the volume knob (**▲** or **▼** on the remote control) after the step 1.



### ! NOTE

- If no button is pressed for 10 seconds, the on-screen display disappears.
- A title number cannot be selected on some discs.
- Available items may differ depending on discs or titles.

## Using the Func menu

By adjusting the Func menus, you can enjoy files/track/chapters in a way you want.

1. Press **MENU**.
2. Select **Func** and press the volume knob (**LIST/ENTER** on the remote control).
3. Select a desired item by using the volume knob (**▲** or **▼** on the remote control).
4. Press the volume knob (**LIST/ENTER** on the remote control) repeatedly to adjust items.
5. Press **↵** (**RETURN** on the remote control) to return to the previous menu.

### [Repeat]

**DVD** **MOVIE** **MUSIC** **PHOTO**

Sets repeat playback according to File, Folder, Track, Title or Chapter.

### [Shuffle]

**MUSIC**

Sets random playback according to Files, Folders, or Tracks. During random playback, even if you press **◀|-(|◀◀** on the remote control), you won't go back to the previous track.

### [Intro Scan]

**MUSIC**

The first 10 seconds of each tracks/files on the disc or in the current selected folder are played.

**[Audio]****DVD** **MOVIE**

Sets audio language or channel.

**[Subtitle]****DVD** **MOVIE**

Sets a desired subtitle language.

**[Angle]****DVD**

If the disc contains scenes recorded at different camera angles, you can change to a different camera angle during playback.

**NOTE**

For adjusting Repeat, Shuffle, Intro Scan, Audio language, Subtitle, or Angle menu, you can simply use the short-cut buttons on the remote control.



4

Operation

**Using the time search bar****DVD** **MOVIE**

Using the time search bar, you can find easily the point where you want to start playback of movie files.

1. During playback, press and hold the volume knob (**LIST/ENTER** on the unit) until the bar turns red.



2. Rotate the volume knob on the unit or press < or > to select a point that you want to play.
3. Press the volume knob (**LIST/ENTER** on the remote control).

**Resume playback****DVD**

The unit records the point where you pressed **■** depending on the disc.

If "■■■ (Resume Stop)" appears on the screen briefly, press **▶** to resume playback (from the scene point).

If you press **■** twice, "■" (Complete Stop) appears on the screen. The unit will clear the stopped point.

**NOTE**

The resume point may be cleared when the unit is turned off or the inserted disc is released.



## Viewing a photo

1. Press the volume knob (**LIST/ENTER** on the remote control) to check files.
2. Press **↩** (**RETURN** on the remote control) to check folders.
3. Select a desired folder by using the volume knob (**▲** or **▼** on the remote control).
4. Press the volume knob (**LIST/ENTER** on the remote control).
5. Select a desired file by using the volume knob (**▲** or **▼** on the remote control).
6. Press the volume knob (**LIST/ENTER** on the remote control) to view a photo.

### To skip to the next/previous photo

While viewing a photo, press **◀|** or **|▶** (**<** or **>** on the remote control) to go to the previous or next photo.

#### NOTE

If you want to go to the first file of a previous or next folder, press **▲** or **▼** on the remote control.

### To rotate a photo

Press **◀◀** or **▶▶** on the remote control to rotate a photo clockwise or counter-clockwise.

### Viewing photo files as a slide show

1. Press **▶||** (**▶** on the remote control) to start slide show.
2. Press **▶||** (**||** on the remote control) during slide show to pause a slide show.

## Adjusting the speed of slide show

You can set the slide show speed on the Func menu.

1. Press **MENU**.
2. Select **Func** and press the volume knob (**LIST/ENTER** on the remote control).
3. Select **Slide Show** by using the volume knob (**▲** or **▼** on the remote control).
4. Press the volume knob (**LIST/ENTER** on the remote control) repeatedly to set the speed among Slow, Normal, or Fast.

## Listening to the radio

1. Select **Tuner** by pressing **SRC**.
2. Select a band by pressing **BAND**.
3. For manual search, press and hold **◀|/|▶** on the unit or **<** or **>** on the remote control until "Manual" is displayed. Then press it repeatedly to select a desired frequency.  
]For auto search, press **◀|/|▶** on the unit or **<** or **>** on the remote control until "Search" is displayed.
4. Rotate the volume knob on the unit or press **VOL.+/-** on the remote control.

## Storing desired frequencies manually

1. Press **BAND** to select a desired band you want to store.
2. Press and hold ◀|/|▶ on the unit or < or > on the remote control and then press it repeatedly to select a desired frequency.
3. Select a desired preset number .

### • On the unit

Press the volume knob and rotate it. Then, press it again to store.

### • On the remote control

Press and hold one of preset buttons among 1-6 on the remote control until the beep sound is heard.

4. Repeat steps 1-3 to preset other stations.



### NOTE

When a station is stored on the preset numbers on which another station of the same band has already been preset, the previously preset station is automatically erased.

## Listening to a preset station

1. Press **BAND** to select a desired band.
2. Press the volume knob on the unit or **LIST/ENTER** on the remote control.
3. Rotate the volume knob on the unit or press < or > on the remote control to select a preset station.
4. Press the volume knob (**LIST/ENTER** on the remote control).

Or

Press **BAND** and then the desired preset button among 1-6 on the remote control.

## Adjusting Tuner settings

1. Press **MENU**.
2. Select **Func** and press the volume knob (**LIST/ENTER** on the remote control).
3. Select a desired item by using the volume knob (▲ or ▼ on the remote control).
4. Press the volume knob (**LIST/ENTER** on the remote control) repeatedly to adjust items.
5. Press ◀ (**RETURN** on the remote control) to return to the previous menu.

### Auto Store

The six strongest broadcasting frequencies will be stored under preset button 1-6 in the order of their signal strength.

To cancel, press **BAND** or **SRC**.

### Preset scan

Each preset station of each band is displayed in blue.

To cancel, press **BAND** or **SRC**.

### Sensitivity

In an area in which signal reception is weak, it helps the tuner to search more stations.

You can set the signal reception sensitivity differently according to areas.

**[Local]** In areas with good signal strength

**[Normal]** In areas with good normal strength

**[Dx]** In areas with bad signal strength

## Enjoying music or movie by connecting an external device

You can enjoy music or movie files of an external device by connecting it to the unit.

1. Connect an external device to the AUX jack with line input cable.
2. Select **AUX** by pressing **SRC**.
3. Play the connected Auxiliary Equipment.
4. Rotate the volume knob on the unit or press **VOL.+/-** on the remote control.

## Preventing radical changes in volume as switching sources

You can adjust the volume level of each source to prevent radical changes in volume by adjusting AUX Input Gain.

1. Press **MENU**.
2. Press the volume knob (**LIST/ENTER** on the remote control) repeatedly to select AUX Input Gain from -6 dB to +6 dB.
3. Press **↵** (**RETURN** on the remote control) to return to the previous menu.

## Recording to USB from Disc or FM tuner

1. Open the USB cover and connect it to the unit.
2. Select Disc or FM tuner.
3. Start playback.
4. On FM tuner mode, press **REC** to start recording.

On CD playback mode, press **REC** then the menu items are displayed as below;

### Track

You can record a desired track.

1. Press the volume knob (**LIST/ENTER** on the remote control).
2. By rotating the volume knob (**LIST/ENTER** on the remote control) to select a desired track.
3. Press the volume knob (**LIST/ENTER** on the remote control).

### All

You can record all of the tracks.

### Remaining

You can record from the selected track and all of the remaining tracks.

1. Select [Remaining] by using the volume knob (**▲** or **▼** on the remote control).
2. Press the volume knob (**LIST/ENTER** on the remote control).
3. By rotating the volume knob (**LIST/ENTER** on the remote control) to select a desired track.
4. Press the volume knob (**LIST/ENTER** on the remote control).

5. Press **REC** or **↵** (**RETURN** on the remote control) again to stop.



### NOTE

- Do not remove the USB device during recording, or an incomplete file may be made and not deleted on PC.
- When USB memory is full, "Not Enough Memory" displays and stops recording.
- For tuner recording, the broadcastings are recorded by 20 moments on a file name.
- If the USB is removed, the front panel gets open, or the unit is turned off during recording, the recording stops.
- If recording is abruptly stopped, just the file name is saved in a corresponding folder with no recording data.

# 5 Maintenance

## Notes on Discs

### Handling Discs

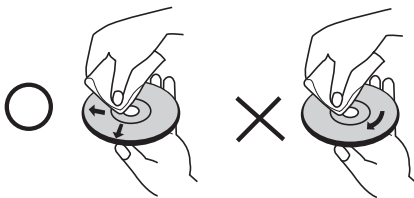


Never stick paper or tape on the disc.

### Storing Discs

After playing, store the disc in its case. Do not expose the disc to direct sunlight or sources of heat and never leave it in a parked car exposed to direct sunlight.

### Cleaning Discs



Do not use strong solvents such as alcohol, benzene, thinner, commercially available cleaners, or anti-static spray intended for older vinyl records.

## Handling the Unit

### When shipping the unit

Please save the original shipping carton and packing materials. If you need to ship the unit, for maximum protection, re-pack the unit as it was originally packed at the factory.

Keeping the exterior surfaces clean

- Do not use volatile liquids such as insecticide spray near the unit.
- Wiping with strong pressure may damage the surface.
- Do not leave rubber or plastic products in contact with the unit for a long period of time.

### Cleaning the unit

To clean the player, use a soft, dry cloth. If the surfaces are extremely dirty, use a soft cloth lightly moistened with a mild detergent solution. Do not use strong solvents such as alcohol, benzene, or thinner, as these might damage the surface of the unit.

### Maintaining the Unit

The unit is a high-tech, precision device. If the optical pick-up lens and disc drive parts are dirty or worn, the picture quality could be diminished. For details, please contact your nearest authorized service centre.

# 6

## Troubleshooting

Symptoms	Solution
The power does not turned on./ The unit doesn't operate.	<ul style="list-style-type: none"> <li>• Confirm once more that all connections are correct.</li> <li>• Rectify the problem that caused the fuse to blow, and then replace it. Be very sure to install the correct fuse with the same rate.</li> <li>• Turn the unit off and then on again.</li> </ul>
There is no sound or the sound is distorted.	<ul style="list-style-type: none"> <li>• The unit is in scan, slow motion, or pause mode.</li> <li>• The sound volume is low.</li> <li>• Connect the cables correctly. (page 15)</li> </ul>
There's audio skipping.	<ul style="list-style-type: none"> <li>• Secure this unit firmly.</li> </ul>
The unit does not start playback.	<ul style="list-style-type: none"> <li>• Insert a playable disc. (Check the disc type, colour system, and regional code.)</li> <li>• Place the disc with the playback side down.</li> <li>• Clean the disc.</li> <li>• Cancel the rating function or change the rating level.</li> </ul>
Radio stations cannot be tuned in properly.	<ul style="list-style-type: none"> <li>• Tune to stations manually.</li> <li>• Preset some stations.</li> </ul>
The remote control does not work properly.	<ul style="list-style-type: none"> <li>• The remote control is not pointed at the remote sensor of the unit.</li> <li>• The remote control is too far from the unit.</li> <li>• There is an obstacle in the path of the remote control and the unit.</li> <li>• Load a new battery.</li> </ul>

# 7

## Appendix

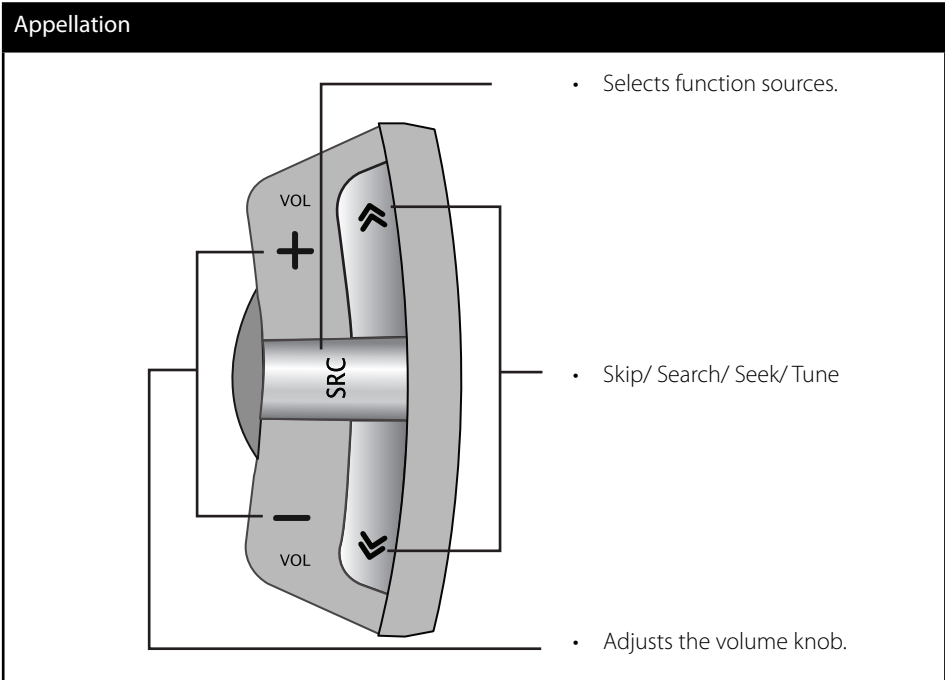
### Area Code List

Choose an area code from this list.

Area	Code	Area	Code	Area	Code	Area	Code
Afghanistan	AF	Fiji	FJ	Monaco	MC	Singapore	SG
Argentina	AR	Finland	FI	Mongolia	MN	Slovak Republic	SK
Australia	AU	France	FR	Morocco	MA	Slovenia	SI
Austria	AT	Germany	DE	Nepal	NP	South Africa	ZA
Belgium	BE	Great Britain	GB	Netherlands	NL	South Korea	KR
Bhutan	BT	Greece	GR	Netherlands		Spain	ES
Bolivia	BO	Greenland	GL	Antilles	AN	Sri Lanka	LK
Brazil	BR	Hong Kong	HK	New Zealand	NZ	Sweden	SE
Cambodia	KH	Hungary	HU	Nigeria	NG	Switzerland	CH
Canada	CA	India	IN	Norway	NO	Taiwan	TW
Chile	CL	Indonesia	ID	Oman	OM	Thailand	TH
China	CN	Israel	IL	Pakistan	PK	Turkey	TR
Colombia	CO	Italy	IT	Panama	PA	Uganda	UG
Congo	CG	Jamaica	JM	Paraguay	PY	Ukraine	UA
Costa Rica	CR	Japan	JP	Philippines	PH	United States	US
Croatia	HR	Kenya	KE	Poland	PL	Uruguay	UY
Czech Republic	CZ	Kuwait	KW	Portugal	PT	Uzbekistan	UZ
Denmark	DK	Libya	LY	Romania	RO	Vietnam	VN
Ecuador	EC	Luxembourg	LU	Russian Federation	RU	Zimbabwe	ZW
Egypt	EG	Malaysia	MY	Saudi Arabia	SA		
El Salvador	SV	Maldives	MV	Senegal	SN		
Ethiopia	ET	Mexico	MX				

# Steering Remote Control

## Appellation

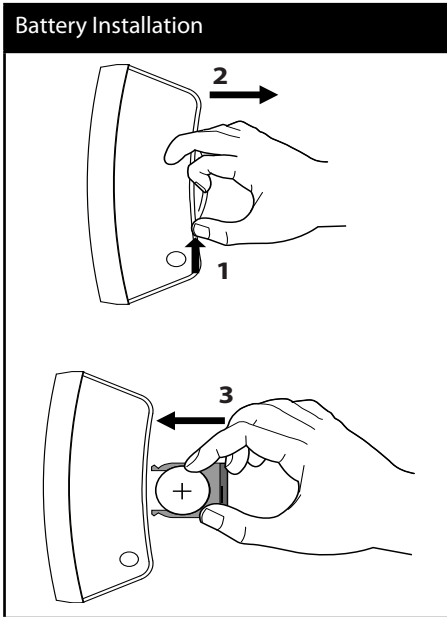


### NOTE

- Press and hold SRC, you can turn the unit off during operation.
- Button on the car receiver head unit and remote control unit with same name have the same function.
- Depending on the car receiver, there may not be some buttons with the same names as those on this unit.
- This unit can not be used for a car receiver that does not accept a remote control unit.



## Battery installation



1. Pull out the battery holder while pressing the bottom of it.
2. Put the battery with  $\oplus$  and  $\ominus$  correctly on the battery holder.
3. Push the battery holder back into its original position.

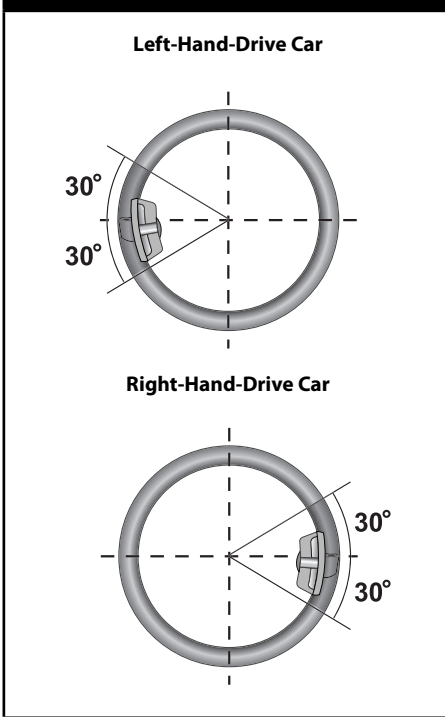
### ! NOTE

- Use only one CR2025 (3V) lithium battery.
- Remove the battery if the remote control is not used for long.
- Do not handle the battery with metallic tools.
- Do not store the battery with metallic materials.
- In the event of battery leakage, wipe the remote control completely clean and install a new battery.
- Always check carefully that you are loading battery with its (+) and (-) poles facing in the proper directions.
- Do not eat lithium battery.

## Installation

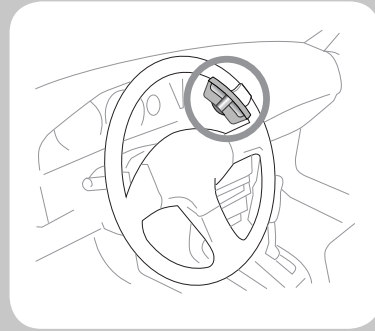
If you install in place other than installation scope, this unit is not operated.

### Installation Scope



### CAUTION

- Avoid installing this unit in such a location where the operation of safety devices such as airbags is prevented by this unit. Otherwise, there is danger of a fatal accident.
- Fix this unit securely to the steering wheel with the belt attached to the unit. If this unit is loose, it disturbs driving stability, which may result in a traffic accident.
- Do not attach this unit to the outer circumference of the steering wheel. Otherwise, it disturbs driving stability, causing a traffic accident. Always attach this unit to the inner circumference of steering wheel as shown.



### NOTE

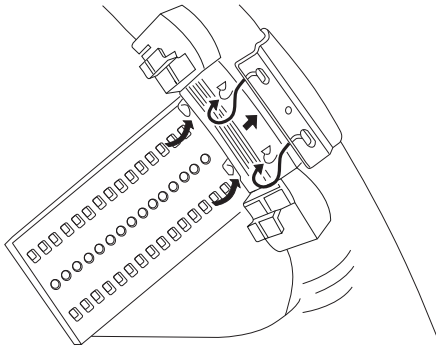
- Do not install this unit in such a place as may obstruct the driver's view.
- Since interior layout differs depending on the type of vehicle, the ideal installation location for the unit also differ. When installing the unit, select a location that assures optimum transmission of signals from the unit to car receiver.

### Installing the unit on a Left-Hand-Drive Car

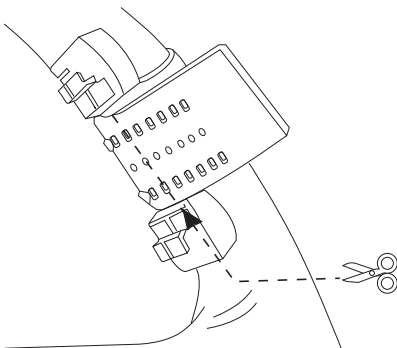
When the unit is installed on a Right-Hand-Drive car, the horizontal position are inverted.

1. Secure Cover holder to the inner circumference of the steering wheel with belt.

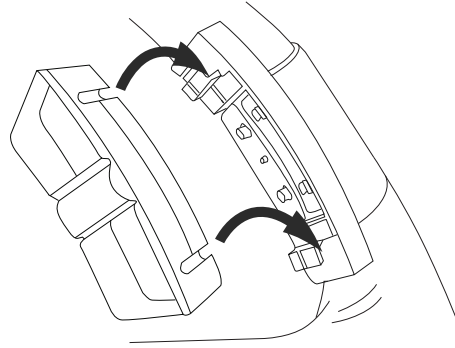
Fit the Cover holder to the steering wheel so that the arrow-marked side faces the driver as shown by picture.



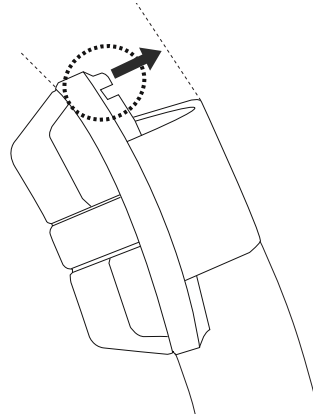
2. Cut the extra portion of the belt at the center of the cover holder.



3. Install the remote control unit in the holder.



4. When removing the remote control unit from the holder, move the corrugated release section toward the steering wheel as far as possible before sliding the remote control unit toward you.



# Specifications

## General

<b>Output Power:</b>	53 W x 4 CH (Max.)
<b>Power Source:</b>	DC 12 V
<b>Speaker impedance:</b>	4 $\Omega$
<b>Ground System:</b>	Negative
<b>Dimensions (W x H x D):</b>	178 x 50 x 169 mm (Without Control Panel)
<b>Net Weight (Approx.):</b>	1.42 kg

## TUNER

<b>FM Tuning Range:</b>	87.5 to 107.9 or 87.5 to 108 MHz
<b>AM Tuning Range:</b>	520 to 1720 or 522 to 1620 kHz

## CD

<b>Frequency Response:</b>	20 Hz to 20 kHz
<b>S/N Ratio:</b>	85 dB
<b>Distortion:</b>	0.1 %
<b>Channel Separation (1 kHz):</b>	55 dB

## AUX

<b>Frequency Response:</b>	20 Hz to 20 kHz
<b>S/N Ratio:</b>	85 dB
<b>Distortion:</b>	0.1 %
<b>Channel Separation (1 kHz):</b>	55 dB
<b>Max Input Level (1 kHz):</b>	2 V

## USB

<b>Version</b>	USB 1.1 or USB 2.0 Full Speed
<b>Bus Power Supply (USB)</b>	DC 5V $\overline{\text{---}}$ 500 mA

## Line OUT

<b>Frequency Response:</b>	20 Hz to 20 kHz
<b>Output Voltage:</b>	2 V (Max.)

## Subwoofer(OPTIONAL)

<b>Frequency Response:</b>	20 Hz to 120 Hz
<b>Output Voltage:</b>	2 V (Max.)

## Trademarks and Licences



Manufactured under licence from Dolby Laboratories. "Dolby" and the double-D symbol are trademarks of Dolby Laboratories.

---



"DVD Logo" is a trademark of DVD Format/Logo Licensing Corporation.

---



**MP3**  
CD-R/RW

**COMPACT**  
**disc**  
DIGITAL AUDIO

**DVD**  
VIDEO

**DOLBY**  
DIGITAL

Plays  
Windows  
Media™

**NOM**   
NOM  
NVCE

Av. Sor Juana Inés de la Cruz No 555  
Col. San Lorenzo  
Tlalnepantla, Estado de México CP 54033  
Tel. (55) 5321-1919  
Lada sin costo 01 (800) 347 1919

**LG Electronics México S.A. de C.V.**