



website <http://www.lgservice.com>

LG

ENGLISH

ESPAÑOL

LG

Room Air Conditioner

OWNER'S MANUAL

MODELS: HS-C1227R_Series.**

Dear Owner

**Thank you for installing LG air conditioner.
Your best choice guarantees you a great
performance and service to make your life
comfortable & pleasant.**

IMPORTANT

- Please read this owner's manual carefully and thoroughly before installing and operating your room air conditioner.
- Please retain this owner's manual for future reference after reading it thoroughly.

TABLE OF CONTENTS

A. Safety Precautions	3
B. Electrical Safety	6
Temporary Use of an Adapter	6
Temporary Use of an Extension Cord ...	6
Symbols used in this Manual	6
C. Product Introduction	7
Indoor Units	7
Operation Indication Lamps	7
Outdoor Unit	7
D. Operating Instructions	8
How to insert the Batteries	8
Wireless Remote Controller	
Maintenance	8
Operating Method	8
Wireless Remote Controller	9
Operation Mode	10
Healthy Dehumidification Operation	11
Auto Operation	
(Cooling Only Model)	11
Auto Changeover Operation	
(Heat Pump Model)	11
Jet Cool/Heat Operation	12
NEO PLASMA Purification Operation	
(Optional)	12
Auto Clean (Optional)	12
Energy-Saving Cooling Mode	
(Optional)	13
Forced operation	13
Sleep Mode	14
Setting the Current Time	14
Timer Setting	14
Vertical / Horizontal Airflow Direction	
Control (Optional)	15
Air Circulation Mode	15
Auto Restart Function	15
E. Maintenance and Service	16
Indoor Unit	16
Outdoor Unit	17
Cleaning Filter	18
Operation Tips!	20
Self-Diagnosis Function	20
Troubleshooting Tips!	
Save time and money!	21
Call the service immediately in the	
following situations	21



FOR YOUR RECORDS

Write the model and serial numbers here:

Model #

Serial #

You can find them on a label on the side of each unit.

Dealer's Name

Date Purchased

- Staple your receipt to this page in the event you need it to prove date of purchase or for warranty issues.



READ THIS MANUAL

Inside you will find many helpful hints on how to use and maintain your air conditioner properly. Just a little preventive care on your part can save you a great deal of time and money over the life of your air conditioner.

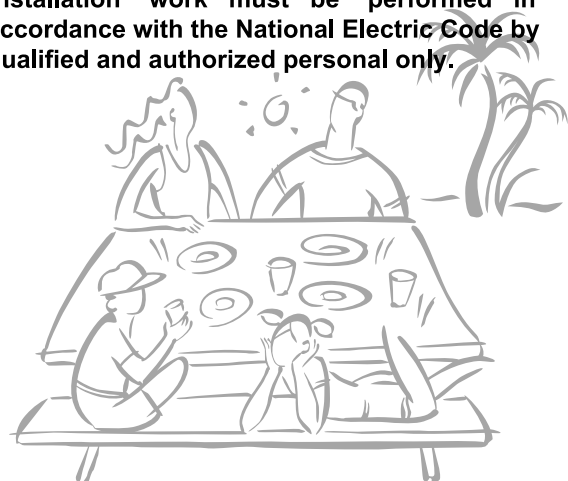
You'll find many answers to common problems in the chart of troubleshooting tips. If you review our chart of

Troubleshooting Tips first, you may not need to call for service at all.



PRECAUTION



- **Contact the authorized service technician for repair or maintenance of this unit.**
- **Contact the installer for installation of this unit.**
- **The air conditioner is not intended for use by young children or invalids without supervision.**
- **Young children should be supervised to ensure that they do not play with the air conditioner.**
- **When the power cord is to be replaced, replacement work shall be performed by authorized personnel only using only genuine replacement parts.**
- **Installation work must be performed in accordance with the National Electric Code by qualified and authorized personal only.**





Safety Precautions

To prevent injury to the user or other people and property damage, the following instructions must be followed.

- Incorrect operation due to ignoring instruction will cause harm or damage. The seriousness is classified by the following indications.

	WARNING This symbol indicates the possibility of death or serious injury.
	CAUTION This symbol indicates the possibility of injury or damage.

- Meanings of symbols used in this manual are as shown below.

	Be sure not to do.
	Be sure to follow the instruction.

WARNING

Always use a power plug and socket with a ground terminal.

- There is a risk of electric shock.

Do not use a defective or underrated circuit breaker. Use the correctly rated breaker and fuse.

- There is risk of fire or electric shock .

Do not use a multi consent. Always use this appliance on a dedicated cicuit and breaker.

- Otherwise it can cause electric shock or fire.

For electrical work, contact the dealer, seller, a qualified electrician, or an Authorized Service Center. Do not disassemble or repair the product by yourself.

- There is risk of fire or electric shock.

Always ground the product as per the wiring diagram. Do not connect the ground wire to gas or water pipes lightning rod or telephone ground wire.

- There is risk of fire or electric shock.

Install the panel and the cover of control box securely.

- There is risk of fire or electric shock due to dust , water etc.

Use the correctly rated breaker or fuse.

- There is risk of fire or electric shock.

Do not modify or extend the power cable. If the power cable or cord has scrathes or skin peeled off or deteriorated then it must be replaced.

- There is risk of fire or electric shock.

For installation, removal or reinstall , always contact the dealer or an Authorized Service Center.

- There is risk of fire, electric shock, explosion, or injury.

Do not install the product on a defective installation stand. Be sure that the installation area does not deteriorate with age.

- It may cause product to fall.

Never install the outdoor unit on a moving base or a place from where it can fall down.

- The falling outdoor unit can cause damage or injury or even death of a person.

When the product is soaked (flooded or submerged) in water , contact an Authorized Service Center for repair before using it again.

- There is risk of fire or eletric shock.

In outdoor unit the step-up capacitor supplies high voltage electricity to the electrical components. Be sure to discharge the capacitor completely before conducting the repair work.

- An charged capacitor can cause electrical shock.

When installing the unit, use the installation kit provided with the product.

- Otherwise the unit may fall and cause severe injury.

Be sure to use only those parts which are listed in the svc parts list. Never attempt to modify the equipment.

- The use of inappropriate parts can cause an electrical shock, excessive heat generation or fire.

Safety Precautions

Indoor/outdoor wiring connections must be secured tightly and the cable should be routed properly so that there is no force pulling the cable from the connection terminals.

- Improper or loose connections can cause heat generation or fire.

Be sure to check the refrigerant to be used. Please read the label on the product.

- Incorrect refrigerant used can prevent the normal operation of the unit.

Do not place a heater or other heating appliances near the power cable.

- There is risk of fire and electric shock.

Do not use the product in a tightly closed space for a long time. Perform ventilation regularly.

- Oxygen deficiency could occur and hence harm your health.

Ventilate the product room from time to time when operating it together with a stove, or heating element etc.

- Oxygen deficiency can occur and hence harm your health.

Take care to ensure that nobody especially kids could step on or fall onto the outdoor unit.

- This could result in personal injury and product damage.

Do not plug or unplug the power supply plug to turn the unit ON/OFF .

- There is risk of fire or electric shock.

Safely dispose off the packing materials. Like screws, nails, batteries, broken things etc after installation or svc and then tear away and throw away the plastic packaging bags.

- Children may play with them and cause injury.

Don't use a power cord, a plug or a loose socket which is damaged.

- Otherwise it may cause a fire or electrical shock.

Do not allow water to run into electric parts. Install the unit away from water sources.

- There is risk of fire, failure of the product, or electric shock.

Do not open the front grille of the product during operation. (Do not touch the electrostatic filter, if the unit is so equipped.)

- There is risk of physical injury, electric shock, or product failure.

Turn the main power off and unplug the unit when cleaning or repairing the product.

- There is risk of electric shock.

Take care to ensure that power cable could not be pulled out or damaged during operation.

- There is risk of fire or electric shock.

Make sure to check that the power cable plug is not dirty, loose or broken and then only insert the plug completely.

- Dirty, loose or broken power plug can cause electric shock or fire.

Do not touch, operate, or repair the product with wet hands. Hold the plug by hand when taking out

- There is risk of electric shock or fire.

Do not store or use or even allow flammable gas or combustibles near the product.

- There is risk of fire.

If strange sounds, smell or smoke comes from product. Immediately turn the breaker off or disconnect the power supply cable.

- There is risk of electric shock or fire.

When the product is not to be used for a long time, disconnect the power supply plug or turn off the breaker.

- There is risk of product damage or failure, or unintended operation.

Do not place ANYTHING on the power cable.

- There is risk of fire or electric shock.

When flammable gas leaks, turn off the gas and open a window for ventilation before turn the product on.

- Do not use the telephone or turn switches on or off. There is risk of explosion or fire.

CAUTION

Two or more people must lift and transport the product.

- Avoid personal injury.

Keep level even when installing the product.

- To avoid vibration or noise.

Do not install the product where it will be exposed to sea wind (salt spray) directly.

- It may cause corrosion on the product.

Do not install the product where the noise or hot air from the outdoor unit could damage or disturb the neighborhoods.

- It may cause a problem for your neighbors and hence dispute.

Install the drain hose to ensure that the condensed water is drained away properly.

- A bad connection may cause water leakage.

Always check for gas (refrigerant) leakage after installation or repair of product.

- Low refrigerant levels may cause failure of product.

Do not use the product for special purposes, such as preserving foods, works of art, etc. It is a consumer air conditioner, not a precision refrigeration system.

- There is risk of damage or loss of property.

Do not block the inlet or outlet of air flow.

- It may cause product failure.

Use a soft cloth to clean. Do not use harsh detergents, solvents or splashing water etc .

- There is risk of fire, electric shock, or damage to the plastic parts of the product.

Do not touch the metal parts of the product when removing the air filter.

- There is risk of personal injury.

Do not step on or put anything on the product. (outdoor units)

- There is risk of personal injury and failure of product.

Always insert the filter securely after cleaning. Clean the filter every two weeks or more often if necessary.

- A dirty filter reduces the efficiency.

Do not insert hands or other objects through the air inlet or outlet while the product is operating.

- There are sharp and moving parts that could cause personal injury.

Be cautious when unpacking and installing the product.

- Sharp edges could cause injury.

If the refrigerant gas leaks during the repair, do not touch the leaking refrigerant gas.

- The refrigerant gas can cause frostbite (cold burn)

Do not tilt the unit when removing or uninstalling it.

- The condensed water inside can spill .

Do not mix air or gas other than the specified refrigerant used in the system .

- If air enters the refrigerant system, an excessively high pressure results, causing equipment damage or injury.

If the refrigerant gas leaks during the installation, ventilate the area immediately.

- Otherwise it can be harmful for your health.

Dismantling the unit, treatment of the refrigerant oil and eventual parts should be done in accordance with local and national standards.

Replace the all batteries in the remote control with new ones of the same type. Do not mix old and new batteries or different types of batteries.

- There is risk of fire or product failure.

Do not recharge or disassemble the batteries. Do not dispose off batteries in a fire.

- They may burn or explode.

If the liquid from the batteries gets onto your skin or clothes, wash it well with clean water. Do not use the remote if the batteries have leaked.

- The chemicals in batteries could cause burns or other health hazards.

Do not let the air conditioner run for a long time when the humidity is very high and a door or a window is left open.

- Moisture may condense and wet or damage furniture.

Do not expose your skin or kids or plants to the cool or hot air draft.

- This could harm to your health.

Do not drink the water drained from the product.

- It is not sanitary and could cause serious health issues.

Use a firm stool or ladder when cleaning, maintaining or repairing the product at an height.

- Be careful and avoid personal injury.

Electrical Safety

⚠ WARNING

- This appliance must be properly grounded. To minimize the risk of electric shock, you must always plug into a grounded outlet.
- Do not cut or remove the grounding prong from the power plug.
- Attaching the adapter ground terminal to the wall receptacle cover screw does not ground the appliance unless the cover screw is metal and not insulated, and the wall receptacle is grounded through the house wiring.
- If you have any doubt whether the air conditioner is properly grounded, have the wall receptacle and circuit checked by a qualified electrician.

Temporary Use of an Adapter

We strongly discourage the use of an adapter due to potential safety hazards. For temporary connections, use only a genuine adapter, available from most local hardware stores. Ensure that the large slot in the adapter is aligned with the large slot in the receptacle for a proper polarity connection.

To disconnect the power cord from the adapter, use one hand on each to avoid damaging the ground terminal. Avoid frequently unplugging the power cord as this can lead to eventual ground terminal damage.

⚠ WARNING

- Never use the appliance with a broken adapter.

Temporary Use of an Extension Cord

We strongly discourage the use of an extension cord due to potential safety hazards. For temporary situations, use only CSA certified and UL listed 3-wire grounded extension cords, rated 15 A, 125 V.

⚠ WARNING

This appliance should be installed in accordance with national wiring regulations. This guide acts as a guide to help to explain product features.

Symbols used in this Manual



This symbol alerts you to the risk of electric shock.



This symbol alerts you to hazards that may cause harm to the air conditioner.

NOTE

This symbol indicates special notes.

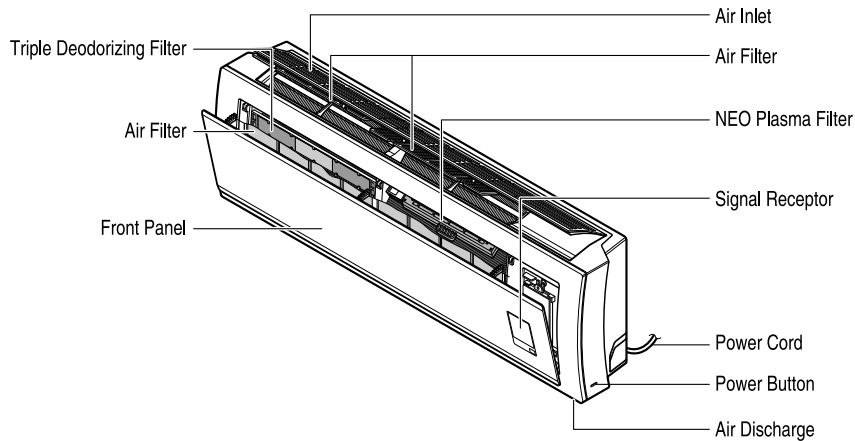
Product Introduction

Here is a brief introduction of the indoor and outdoor units. Please see the information specific to your indoor unit type.

Indoor Units

Art Cool Deluxe

Display panel LED indicators



Operation Indication Lamps

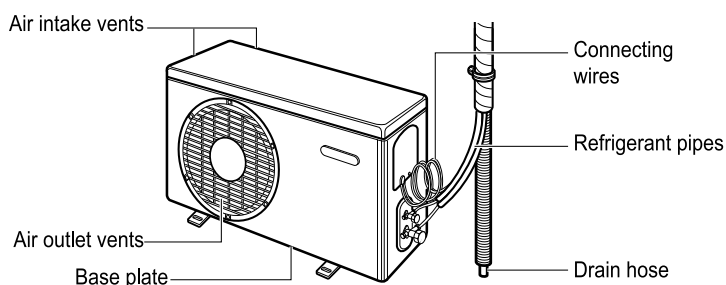
- On/Off : Lights up during the system operation, error code and auto restart setting.
- Sleep mode : Lights up during sleep mode auto operation.(non-Inverter Model)
- Energy-Saving : Lights up during Energy-Saving Cooling Mode Operation(Inverter Model only) Cooling Mode
- Plasma : The function illustrates its dynamic mode by using a multiple lighting system.
- Timer : Lights up during timer operation.(non-Inverter Model)
Lights up during timer operation or sleep mode auto operation (Inverter Model only)
- Defrost mode : Lights up during defrost mode or ***hot start operation** (Heat pump model only)
- Outdoor unit operation : Lights up during outdoor unit operation. (Cooling model only)
- Power Display : Indicates the setting temperature and operation mode.

Operation mode	Cooling, heating, Dehumidification Mode	Auto operation mode						Jet Cool/Heat	Energy-saving cooling mode	Test operation	Auto clean
		Standard	Too hot	Hot	Comfortable	Cold	Too cold				
Shape of display	Setting temperature	A1	-2	-1	0	1	2	Po	EO	Lo	Co

* **Hot start operation:** Stops the indoor fan in heating operation for minutes to prevent cold air from blowing out from unit.

* In defrost mode unit stops heating operation for few minutes to remove formation of ice on the heat exchanger coils to maintain the efficiency.

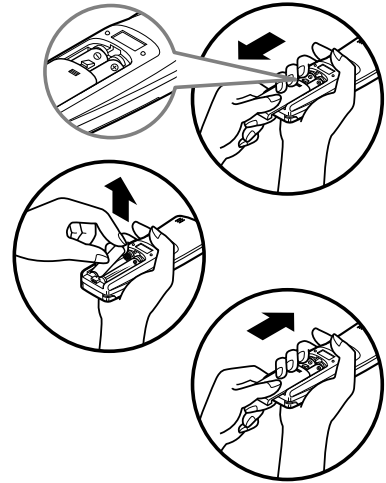
Outdoor Unit



Operating Instructions

How to insert the Batteries

1. Remove the battery cover by pulling it according to the arrow direction.
2. Insert new batteries making sure that the (+) and (-) of battery are installed correctly.
3. Reattach the cover by sliding it back into position.

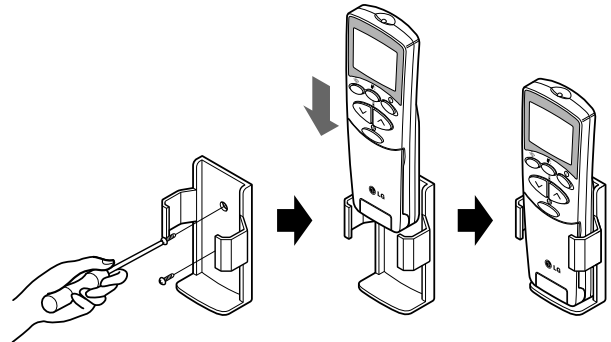


NOTE

1. Always use/replace both batteries of same type.
2. If the system is not to be used for a long time, remove the batteries to save their working life.
3. If the display screen of remote controller starts, fading replace both of the batteries.

Wireless Remote Controller Maintenance

1. Choose a suitable place where its safe & easy to reach.
2. Fix the holder to wall etc with the supplied screws firmly.
3. Slide the remote controller inside the holder.

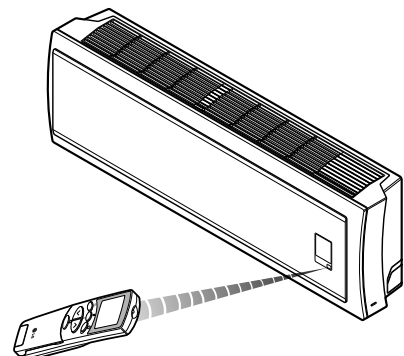


NOTE

1. Remote controller should never be exposed to direct sunlight.
2. Signal transmitter & receiver should always be clean for proper communication. Use a soft cloth to clean them.
3. In case some other appliances also get operated with remote control, change their position or consult your serviceman.

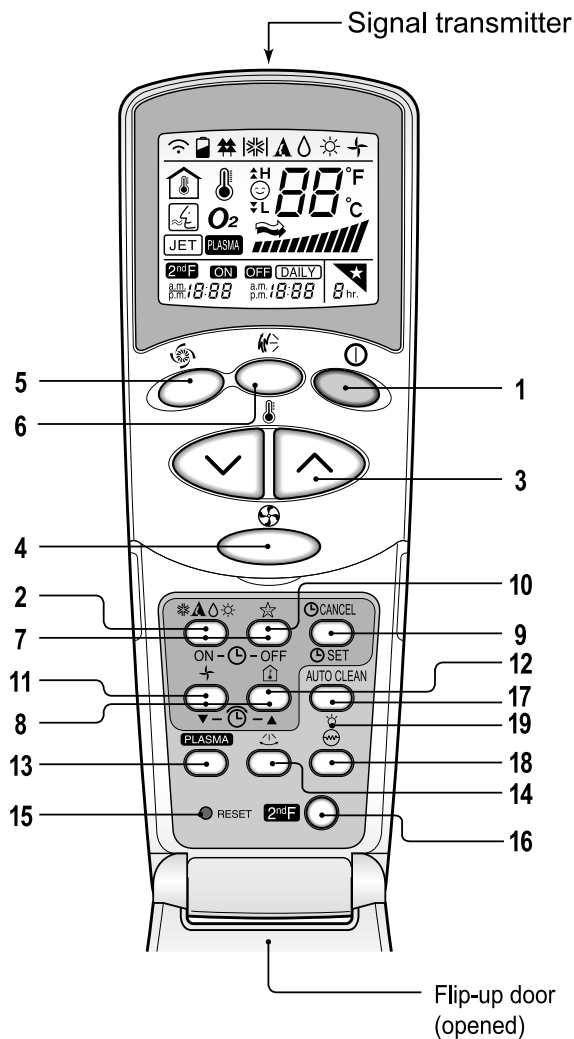
Operating Method

1. The signal receiver is inside the unit.
2. Aim the remote controller towards the unit to operate it. There should not be any blockage in between.

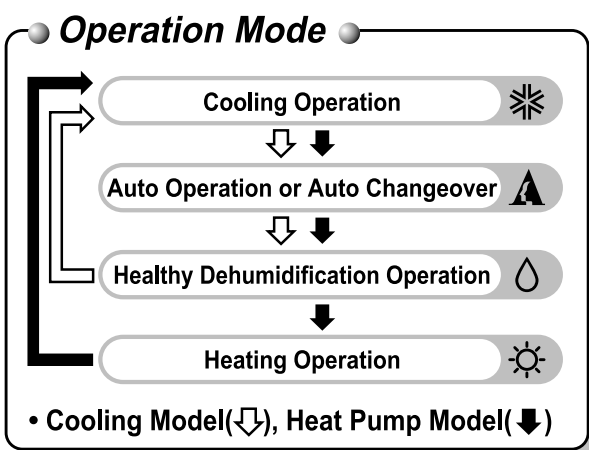


Wireless Remote Controller

The controls will look like the following.



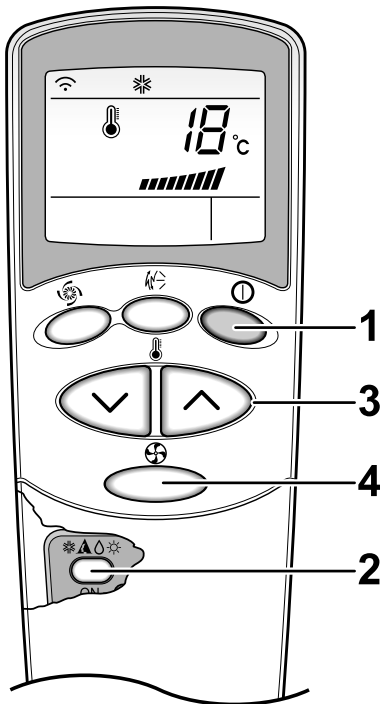
- 1. START/STOP BUTTON**
Used to turn off/on the unit.
- 2. OPERATION MODE SELECTION BUTTON**
Used to select the operation mode.
- 3. ROOM TEMPERATURE SETTING BUTTONS**
Used to select the room temperature.
- 4. INDOOR FAN SPEED SELECTOR BUTTON**
Used to select fan speed in four steps low, medium, high and CHAOS.
- 5. JET COOL BUTTON**
Used to start or stop the speed cooling. (It operates fan in super high speed in cooling mode)
- 6. CHAOS SWING BUTTON**
Used to stop or start louver movement and set the desired up/down airflow direction.
- 7. ON/OFF TIMER BUTTONS**
Used to set the time of starting and stopping operation.
- 8. TIME SETTING BUTTONS**
Used to adjust the time.
- 9. TIMER SET/CANCEL BUTTON**
Used to set and to cancel the timer operation.
- 10. SLEEP MODE AUTO BUTTON**
Used to set sleep mode auto operation.
- 11. AIR CIRCULATION BUTTON**
Used to circulate the room air without cooling or heating.
- ENERGY-SAVING COOLING MODE BUTTON (OPTIONAL) For inverter type models**
- 12. ROOM TEMPERATURE CHECKING BUTTON**
Used to check the room temperature.
- 13. PLASMA BUTTON(OPTIONAL)**
Used to start or stop the plasma-purification function.
- 14. HORIZONTAL AIRFLOW DIRECTION CONTROL BUTTON (OPTIONAL)**
Used to set the desired horizontal airflow direction.
- 15. RESET BUTTON**
Used prior to resetting time.
- 16. 2nd F BUTTON**
Used prior to using modes printed in blue at the bottom of buttons.
- 17. AUTO CLEAN BUTTON(OPTIONAL)**
Used to set auto clean mode. In some models this button has a 2nd function of LED luminosity control.
- 18. HEATER BUTTON(OPTIONAL)**
(Not available in all models)
- 19. LCD LUMINOSITY BUTTON(OPTIONAL)**
Used to adjust LCD luminosity.



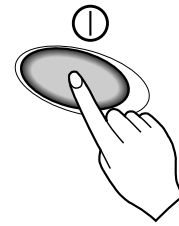
NOTE

To use the functions printed in blue at the bottom of the buttons press 2nd F button first and then the required function button. Pressing the 2nd F button activates the blue printed function of the respective button. To cancel the function press the 2nd F button again else it will automatically cancel if remains idle after 10 seconds.

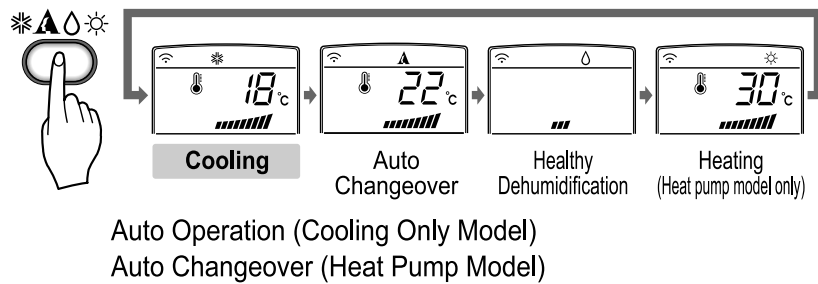
Operation Mode



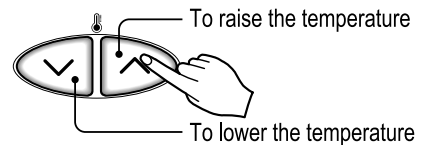
- 1** Press the START/STOP BUTTON to turn the unit on.
The unit will respond with a beep.



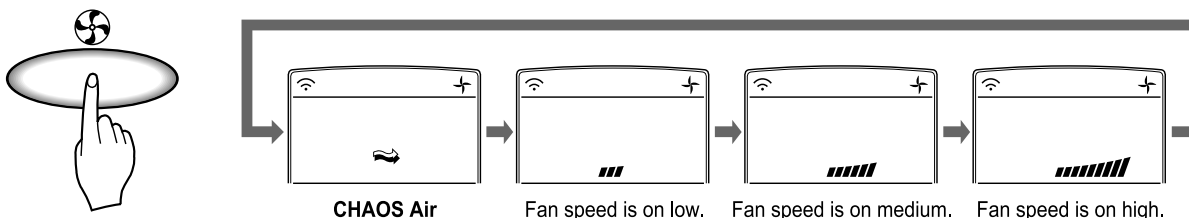
- 2** Open the door of the remote controller and press the operation mode button. Each time the button is pressed, the operation mode is shifted in the direction of the arrow.



- 3** For cooling or heating operation set the desired indoor temperature by pressing the ROOM TEMPERATURE SETTING BUTTONS.
For cooling the temperature can be set within 18°C-30°C and for heating the temperature range is 16°C-30°C



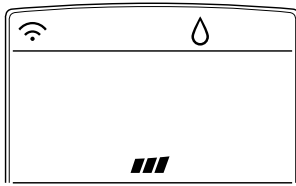
- 4** Set the fan speed with the remote controller. You can select the fan speed in four steps-low, medium, high and CHAOS by pressing the INDOOR FAN SPEED SELECTOR BUTTON. Each time the button is pressed, the fan speed mode is shifted.



Natural wind by the CHAOS logic

- For fresher feeling, press the INDOOR FAN SPEED SELECTOR BUTTON selector and set to CHAOS mode. In this mode, the wind blows like a natural breeze by automatically changing fan speed according to the CHAOS logic.

Healthy Dehumidification Operation



**Healthy
Dehumidification**

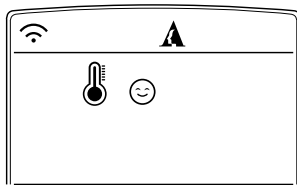


During Healthy Dehumidification Operation

- If you select the dehumidification mode on the OPERATION MODE SELECTION BUTTON, the product starts to run the dehumidification function. It automatically sets the room temperature and airflow volume to the best condition for dehumidification, based on the sensed current room temperature. In this case, however, the setting temperature is not displayed on the remote controller and you are not able to control the room temperature either.
- During the healthy dehumidification function, the airflow volume is automatically set according to the optimization algorithm responding to the current room temperature status, so that the room condition is kept healthy and comfortable even in the very humid season.

To run the healthy dehumidification mode follow steps 1, and 2 and 4 (See operation mode)

Auto Operation (Cooling Only Model)



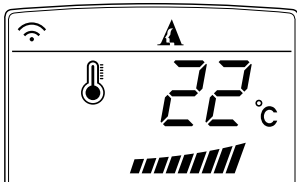
Auto

In this operation mode the actual setting temperature and the fan speed are automatically set by the electronic control logic based on the current room temperature. If you feel hot or cold press the temperature setting buttons respectively for more cooling or heating effect.

NOTE : You cannot set the actual setting temperature and the indoor fan speed in this operation mode. But you can use the Chaos swing in this operation. If the system is not operating as desired, switch manually to another mode.

To run the auto operation follow steps 1, and 2. (See operation mode)

Auto Changeover Operation (Heat Pump Model)

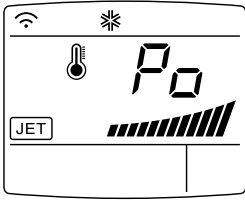


**Auto
Changeover**

Auto operation basically is heating or cooling function of the air conditioner. But during this operation the controller changes the operation mode automatically to keep the temperature within $\pm 2^{\circ}\text{C}$ with respect to the setting temperature.

To run this operation follow steps 1, 2, 3, and 4. (See operation mode)

Jet Cool/Heat Operation



Jet cool function can be used to cool the room quickly in hot summer. When this function is turned on, the air conditioner runs in cooling operation mode with super high fan speed and 18°C setting temperature for 30 minutes for fast and effective cooling.

Similarly, jet heat function (available only in some models) warms up the room quickly by operating at super high fan speed and 30°C setting temperature for 60 minutes.

You can activate this operation by pressing the JET COOL BUTTON.

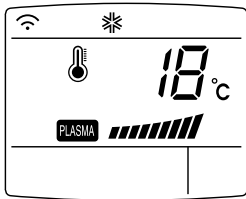
To change from jet cool mode to high fan speed cooling mode, press the JET COOL BUTTON or INDOOR FAN SPEED SELECTOR BUTTON or the ROOM TEMPERATURE SETTING BUTTON again.



NOTE

- Jet cool function cannot be activated during heating or auto changeover operations.
- In case of Inverter, Art Cool and Art Cool Wide(non-Deluxe) model, you can use jet heat function by pressing JET COOL BUTTON for heating operation.
- Art Cool and Art Cool Wide models close the side discharges during jet cool/heat operation, for strong cooling and heating.

NEO PLASMA Purification Operation (Optional)



Plasma filter is a technology developed by LG to get rid of microscopic contaminants in the intake air by generating a plasma of high charge electrons. This plasma kills and destroys the contaminants completely to provide clean and hygienic air.

Plasma purification can be started by pressing the PLASMA BUTTON on the remote controller. Repeating it will deactivate the operation.

NOTE

This feature can be used in any operation mode and any fan speed can be used while plasma filter is functioning.



Auto Clean (Optional)

- During auto clean function, moistures left in indoor units after cooling operation or healthy dehumidification operation can be removed.



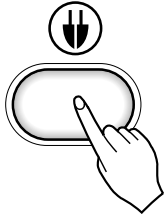
1. Press the AUTO CLEAN BUTTON to activate this function.
2. Now whenever the unit is turned off, the indoor fan is still running for about 30 minutes internally without cooling or dehumidification operation. Also the louver is closed.
3. This dries up any remains of moisture & cleans the unit internally.
4. If you press AUTO CLEAN BUTTON again during operation, this function is cancelled.

NOTE

- During auto clean function, only START/STOP BUTTON, PLASMA BUTTON and AUTO CLEAN BUTTON can be used.

Energy-Saving Cooling Mode (Optional)

Energy-saving cooling mode can save energy in cooling and healthy dehumidification operation, because it can operate efficiently by setting body-adaptation time according to the change of time and temperature and adjusting automatically desired temperature.



1. Press the START/STOP BUTTON to start the unit.
2. Open the door on the remote controller.
Select cooling operation or healthy dehumidification operation.
3. Press the ENERGY-SAVING COOLING MODE BUTTON.
4. To cancel the energy-saving cooling mode, press the ENERGY-SAVING COOLING MODEL BUTTON again and unit will operate in previous mode(Cooling or healthy dehumidification mode).

Display Luminosity (Optional)

The Display Luminosity can be adjusted by using the remote control.

Press the start/stop button to start the unit. Open the door on the remote control, press the 2ndF button and, press display luminosity button.

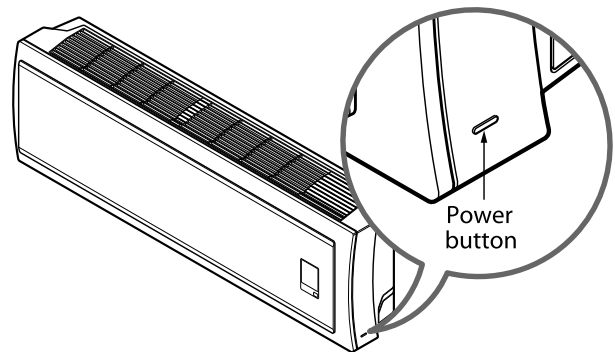
Display will be dark. Press the button again to set bright display.

Forced operation

Operation procedures when the remote control can't be used.

The operation will be started if the ON/OFF button is pressed.

If you want to stop operation, re-press the button.



	Cooling Model	Heat pump Model		
		Room Temp. 24°C	21°C Room Temp. < 24°C	Room Temp. < 21°C
Operating mode	Cooling	Cooling	Healthy Dehumidification	Heating
Indoor FAN Speed	High	High	High	High
Setting Temperature	22°C	22°C	23°C	24°C

Test operation

During the TEST OPERATION, the unit operates in cooling mode at high speed fan, regardless of room temperature and resets in 18 minutes.

During test operation, if remote controller signal is received, the unit operates as remote controller sets.

If you want to use this operation, Press and hold the ON/OFF button for 3~5 seconds, then the buzzer sound 1 "beep".

If you want to stop the operation, re-press the button.

Sleep Mode

1. Press the SLEEP MODE AUTO BUTTON to set the time when you want the unit to stop automatically.
2. The timer is programmed in one-hour increments by pressing the SLEEP MODE AUTO BUTTON 1 to 7 times.
The sleep mode is available for 1 to 7 times.
To alter the time period in steps of 1 hour, press the SLEEP MODE AUTO BUTTON while aiming at air conditioner.
3. • **(In case of non-Inverter Model)**
Make sure the sleep mode LED lights up.
To cancel the sleep mode, press the SLEEP MODE AUTO BUTTON several times until the sleep mode LED lights off.
• **(In case of Inverter Model)**
Make sure the Timer LED lights up.
To cancel the sleep mode, press the SLEEP MODE AUTO BUTTON several times until the Timer LED lights off.



NOTE

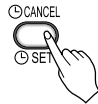
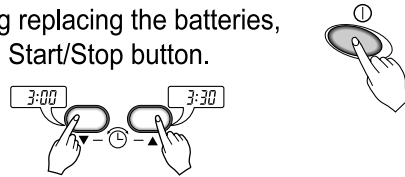
- The sleep mode will operate indoor fan at slow speed in cooling mode and at medium speed in heating mode for pleasant sleep.
- Art Cool and Art Cool Wide (non-Deluxe) close the lower discharge partially in sleep mode for pleasant sleep.

In cooling mode or healthy dehumidification mode:

The setting temperature will rise automatically two times by 1°C over next consecutive 30 minutes (2°C in 1 hour) for a comfortable sleep. Now this will be the final setting temperature as long as sleep mode is functioning.

Setting the Current Time

1. Time can be set only when you press the RESET BUTTON. Having replacing the batteries, you should press the RESET BUTTON to reset the time. Press the Start/Stop button.
2. Press 2nd F button and check if **2ndF** icon is on.
3. Press the TIME SETTING BUTTONS until the desired time is set.
4. Press the TIME SET/CANCEL BUTTON.

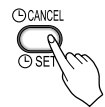
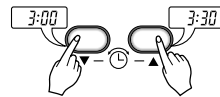
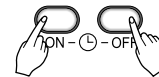


NOTE

Check the indicator for A.M. and P.M.

Timer Setting

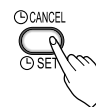
1. Make sure to set current time correctly on the display of the remote controller.
2. Press 2nd F button.
3. Press the ON/OFF TIMER BUTTONS to turn timer on or off.
4. Press the TIME SETTING BUTTONS until the desired time is set.
5. To set the selected time, press the TIMER SETTING BUTTONS aiming the remote controller at the signal receptor.



To cancel the timer setting

Check if **2ndF** icon is off.

Press the TIMER CANCEL BUTTON aiming the remote controller at the signal receptor.
(The timer lamp on the air conditioner and the display will go off.)



NOTE

Select one of the following four types of operation.



Delay off timer



Delay on timer



Delay off and on timer



Delay on and off timer

Vertical / Horizontal Airflow Direction Control (Optional)

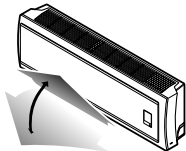
The up/down airflow (Vertical airflow) can be adjusted by using the remote controller.

1. Press the START/STOP BUTTON to start the unit.

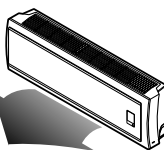
2. Press CHAOS SWING BUTTON.



3. The louvers will swing up & down automatically.



4. To stop the louver at a desired angle, press  again



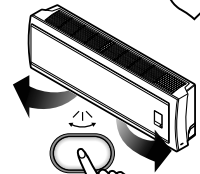
The left/right(Horizontal airflow) can be adjusted by using the remote control.

1. Press the START/STOP BUTTON to start the unit.

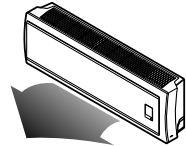
2. Press the HORIZONTAL AIRFLOW DIRECTION BUTTON.



3. The louvers will swing left & right automatically.



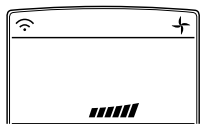
4. To stop the louvers at a desired angle, press  again.



NOTE

- By pressing the CHAOS SWING BUTTON the horizontal air flow direction is changed automatically based on the chaos algorithm to distribute the air in the room evenly and at the same time to make the human body feel most comfortable as if enjoying natural breeze.
- Always use the remote controller to adjust the up and down air flow direction. Manually moving the vertical air flow direction louver by hand could damage the mechanism. When the unit is shut off, the up/down airflow direction louver will close the air outlet vent of the system.

Air Circulation Mode



This operation circulates the air without cooling or heating. It can be activated by pressing the AIR CIRCULATION BUTTON. Once the air circulation is activated you can select the air speed by pressing the INDOOR FAN SPEED SELECTOR BUTTON.



NOTE

CHAOS Air economizes power consumption and prevents overcooling. The fan speed is automatically changed from high to low or vice versa, depending on the ambient temperature.

- In case of inverter type models where there is no AIR CIRCULATION BUTTON, air circulation can be operated by pressing the PLASMA BUTTON.

Auto Restart Function

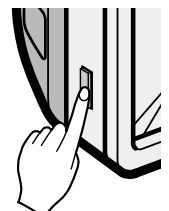
This function is useful in the situation of power failure.

When power regains after a failure this feature restore the previous operating condition and the air conditioner will run in the same settings.

NOTE

This feature is enabled by factory default setting, but you can disable it by pressing the ON/OFF button for 6 seconds. The unit will beep twice and the indicator lamp(2) will blink 4 times.

To enable it, press the button again for 6 seconds. The unit will beep twice and the indicator lamp(1) will blink 4 times.



Maintenance and Service

⚠ CAUTION

Before performing any maintenance, turn off the main power to the system, disconnect the circuit breaker and unplug the power cord.

Indoor Unit

Clean the unit with a soft dry cloth. Do not use bleach or abrasives.

⚠ CAUTION

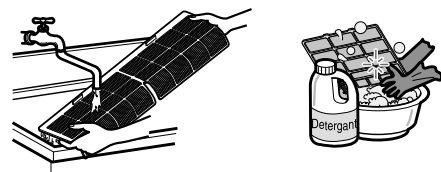
Never use any of these

- Water hotter than 40°C. It may cause deformation and discoloration.
- Volatile substances. They may damage the surface of the air conditioner.



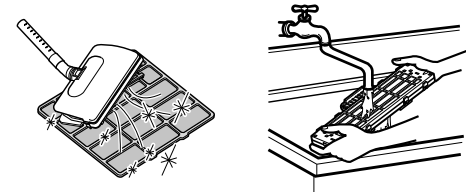
Air Filters

The air filters behind the front panel / grill should be checked and cleaned once in every 2 weeks or more often if necessary. To remove the filters see the self explanatory diagrams for each model type. Clean the filters with a vacuum cleaner or warm soapy water. If dirt is not easily removed, wash with a solution of detergent in luke warm water. Dry well in shade after washing and reinstall the filters back in place.



Plasma Filters

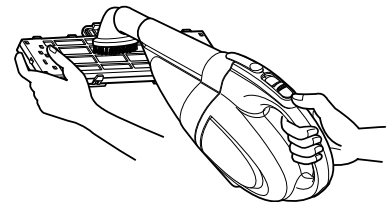
The plasma filters behind the air filter should be checked and cleaned once in every 3 months or more often if necessary. To remove the filters see the self explanatory diagrams for each model type. Clean the filters with a vacuum cleaner. If it is dirty wash it with water and dry well in shade and install back in place.



Deodorizer Filters

Remove the deodorizer filters behind the air filter and expose them in direct sunlight for 2 hours.

And then insert these filters into original position.



Removal of Filters

1. Art Cool Deluxe :

The procedure of removal of filters is same as in Art Cool Type model as shown above.



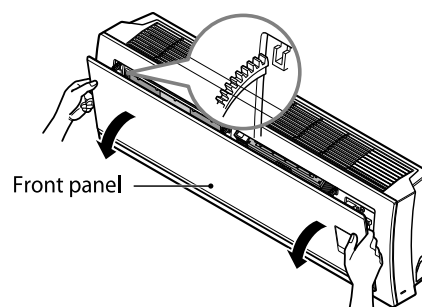
WARNING: Turn the system off before cleaning.

To clean, wipe with a soft, dry cloth. Do not use bleach or abrasives.

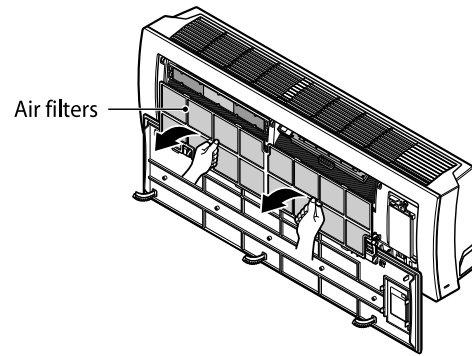
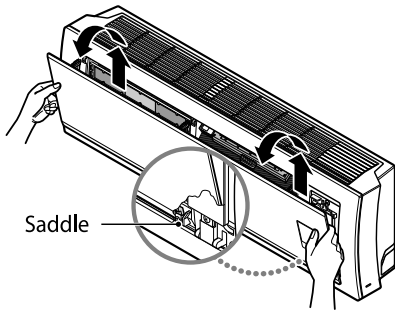
NOTICE

Supply power must be disconnected before cleaning the indoor unit.

1. Pull the upside of the Front Panel, until the rack comes out.

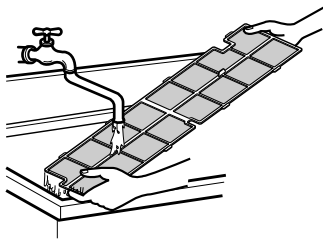


2. Lift the Front Panel, and pull the hooks out of the saddle. 3. Come down the panel and then remove the air filter.

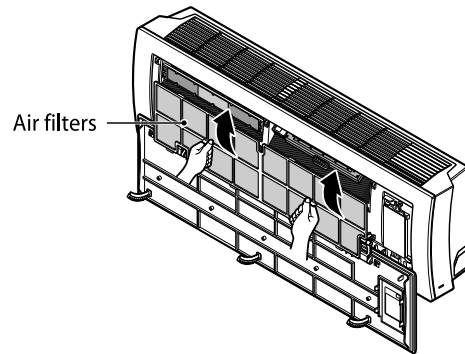


WARNING: Don't touch the PLASMA Filter within 10 seconds after opening the inlet grille, it may cause electric shock.

4. Clean it with a soft brush and the vacuum cleaner. If it is very dirty, wash it with water.



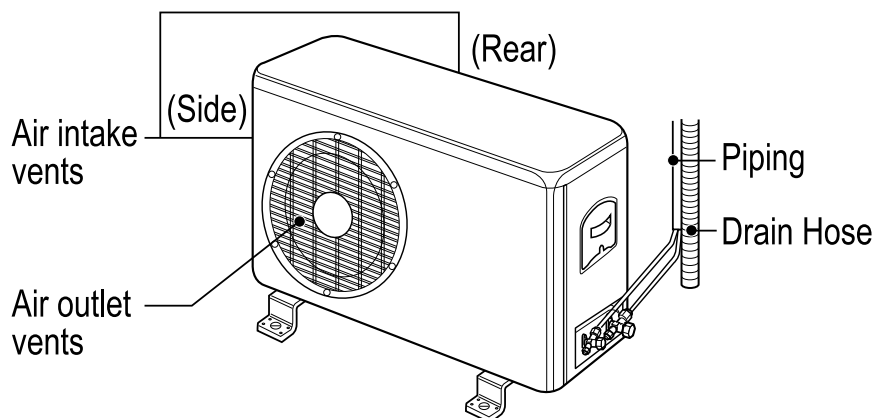
5. Reinstall the air filter dried at the shade and then close the panel.



Outdoor Unit

The heat exchanger coils and panel vents of the outdoor unit should be checked regularly. If clogged with dirt or soot, the heat exchanger and panel vents may be professionally steam cleaned.

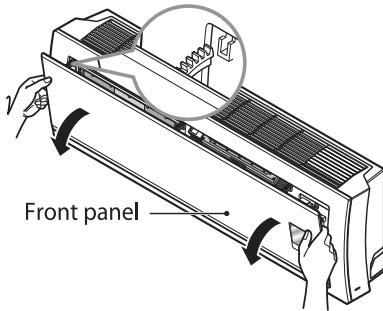
NOTICE Dirty or clogged coils will reduce the operating efficiency of the system and cause higher operating costs.



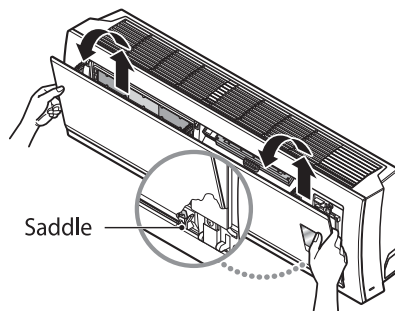
Cleaning Filter

• Recommended use period : About 3 months

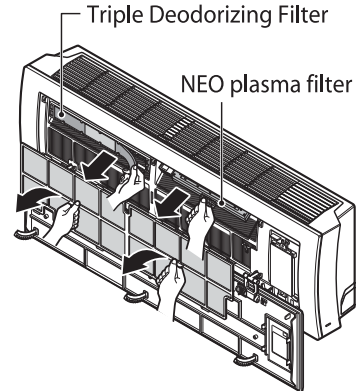
1. Pull the upside of the Front Panel, until the rack comes out.



2. Lift the Front Panel, and pull the hooks out of the saddle.

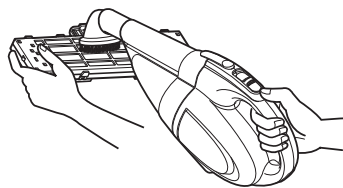
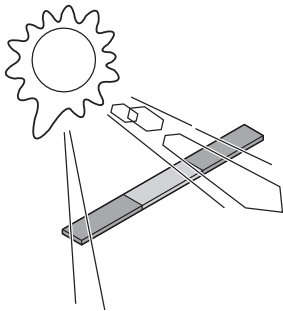


3. Remove air filter and then pull out the NEO plasma filter and Triple Deodorizing Filter.

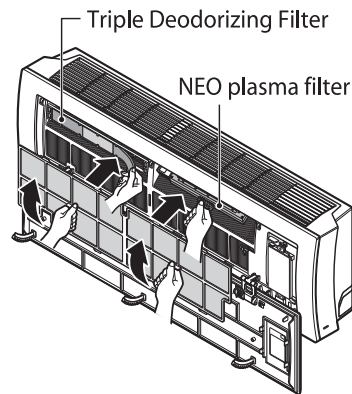


4-1. Clean NEO plasma filter with the vacuum cleaner.

4-2. Dry in the sunlight for two hours.

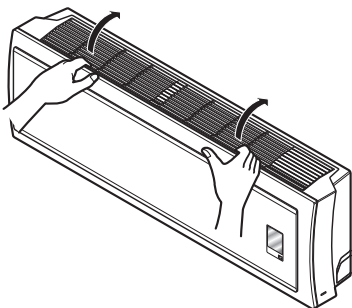


5. Relocate dried NEO plasma filter at the shade and Triple Deodorizing Filter and then put in air filter.

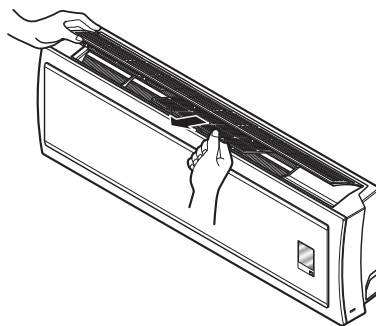


Cleaning Upper Air Filter

1. Open the Air Inlet

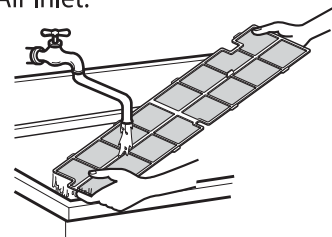


2. Remove air filters.



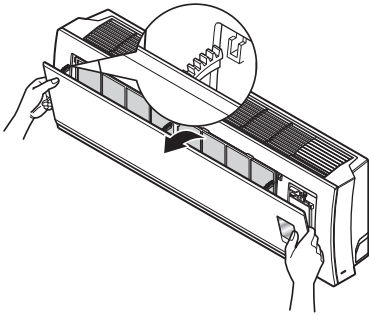
3. Clean it with a soft brush and the vacuum cleaner. If it is very dirty, wash it with water.

4. Reinstall the air filter dried at the shade and then close the Air Inlet.

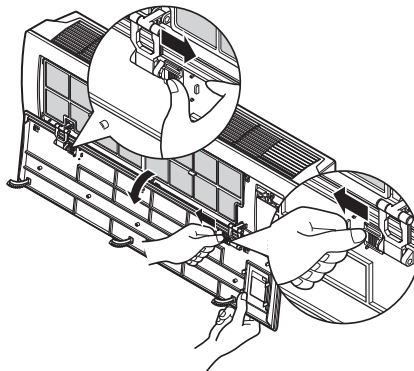


Change of the Front Panel

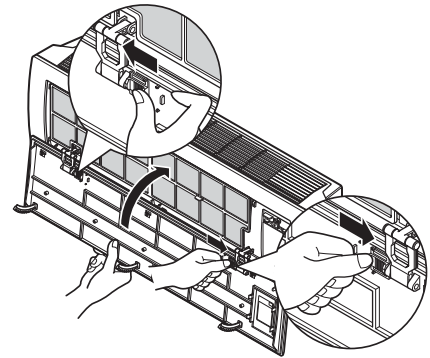
1. Pull the upside of the Front Panel, until the rack comes out.



2. Pull the pins on both sides of the Front Panel.



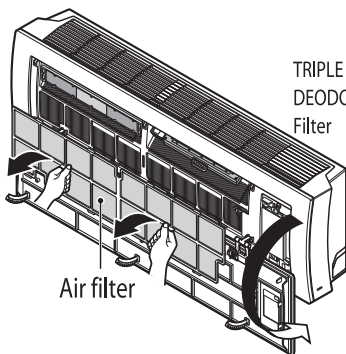
3. Remove the Front Panel and install new Front Panel of the another color.



Replacement of purifying filter (Optional)

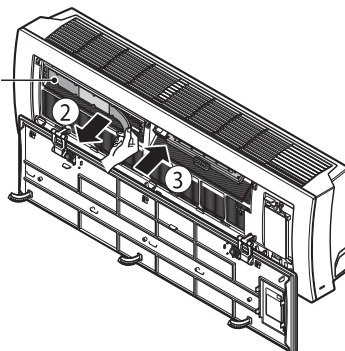
Recommended use period : About 2 years

1. Remove front panel and air filters.

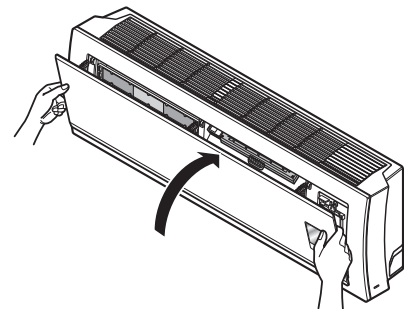


2. Remove air purifying filters.

3. Insert new air purifying filters.



4. Reinsert air filters and close front panel.



NOTE

Dirty or clogged coils will reduce the operating efficiency of the system and cause higher operating costs.

Operation Tips!

Do not overcool the room.

This is not good for the health and wastes electricity.

Keep blinds or curtains closed.

Do not let direct sunshine enter the room when the air conditioner is in operation.

Keep the room temperature uniform.

Adjust the vertical and horizontal airflow direction to ensure a uniform temperature in the room.

Make sure that the doors and windows are shut tight.

Avoid opening doors and windows as much as possible to keep the cool air in the room.

Clean the air filter regularly.

Blockages in the air filter reduce the airflow and lower cooling and dehumidifying effects. Clean at least once every two weeks.

Ventilate the room occasionally.

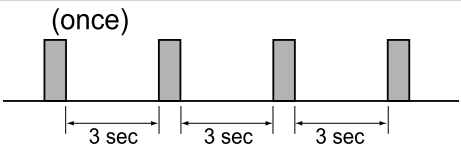
Since windows are kept closed, it is a good idea to open them and ventilate the room now and then.

Use high fan speed for effective and fast cooling.

The unit gives its rated cooling capacity when the fan speed is high.

Self-Diagnosis Function

This unit has an inbuilt error diagnosis capability. Unit LED (Ⓛ) will blink in case if thermistor fails. Please contact your serviceman/dealer in such a situation

Error Display LED (Ⓛ)	Check Point
<p>(once)</p> 	<ul style="list-style-type: none"> • Indoor room temperature thermistor open/short. • Indoor pipe temperature thermistor open/short.

Troubleshooting Tips! Save time and money!

The air conditioner may be operating abnormally when:

Problem	Possible Causes	What To Do
Air conditioner does not start	• The air conditioner is unplugged.	• Make sure the air conditioner plug is pushed completely into the outlet.
	• The fuse is blown/circuit breaker is tripped.	• Check the house fuse/circuit breaker box and replace the fuse or reset the breaker.
	• Power failure.	• If power failure occurs, turn the mode control to OFF. When power is restored, wait 3 minutes to restart the air conditioner to prevent tripping of the compressor overload.
	• High voltage.	• If the voltage is unusually very high or low the circuit Breaker will trip.
Air conditioner does not cool as it should	• Airflow is restricted.	• Make sure there are no curtains, blinds, or furniture blocking the front of the air conditioner.
	• The air filter is dirty.	• Clean the filter at least every 2 weeks. See the Maintenance and Service section.
	• The room may have been hot.	• When the air conditioner is first turned on, you need to allow time for the room to cool down.
	• Cold air is escaping.	• Check for open furnace floor registers and cold air returns.
	• Check the temperature settings.	• Make sure they are correct.
	• There might be any heating source in the room.	• Check and remove such source or turn it off while using the air conditioner.

Call the service immediately in the following situations

1. Anything abnormal such as burning smell, loud noise etc. happen. Stop the unit and turn the breaker off. Never try to repair by yourself or restart the system in such cases.
2. Main power cord is too hot or damaged.
3. Error code is generated by self diagnosis.
4. Water leaks from indoor unit even if the humidity is low.
5. Any switch, breaker (safety, earth) or fuse fails to work properly

User must carry routine checkup & cleaning to avoid unit's poor performance. In case of special situation, the job must be carried out by service person only.

Visit us at <http://www.lgservice.com>



LG

LG

Aire acondicionado

MANUAL DEL PROPIETARIO

MODELOS: HS-C1227R_Series.**

ESPAÑOL

Estimado usuario

Gracias por instalar el aire acondicionado ()
Su mejor selección le garantiza un fantástico
rendimiento y el nivel de servicio más
adecuado para hacer su vida más cómoda y
agradable.**

IMPORTANTE

- Por favor, lea este manual del propietario cuidadosamente y a fondo antes de instalar y hacer funcionar su aire acondicionado.
- Por favor, conserve el manual del propietario para referencias futuras tras su lectura a fondo.

CONTENIDO

A. Medidas de seguridad	3
B. Seguridad eléctrica	6
Uso temporal de un adaptador	6
Uso temporal de un alargador de alimentación	6
Símbolos utilizados en este manual	6
C. Presentación del producto	7
Unidades interiores	7
Luces indicadoras de operación	7
Unidad exterior	7
D. Instrucciones de funcionamiento	8
Inserción de pilas	8
Mando a distancia inalámbrico Mantenimiento	8
Método operativo	8
Mando a distancia inalámbrico	9
Modo operativo	10
Operación de deshumidificación sana	11
Funcionamiento automático (Modelo sólo enfriamiento	11
Operación de cambio automático (Modelo bomba de calor)	11
Operación del enfriamiento por chorro de air frío/caliente	12
Operación de purificación NEO PLASMA (Opcional)	12
Limpieza automática (opcional)	12
Modo de enfriamiento Ahorro de energía (Opcional)	13
Funcionamiento Forzado	13
Modo de reposo	14
Ajuste de hora actual	14
Ajuste del temporizador	14
Dirección vertical/horizontal del flujo de aire Control (opcional)	15
Modo circulación de aire	15
Función de reinicio automático	15
E. Mantenimiento y servicio	16
Unidad interior	16
Unidad exterior	17
limpieza filtro	18
Consejos operativos	20
Función de auto-diagnóstico	20
Consejos de solución de averías ¡Ahorre tiempo y dinero!	21
Solicite servicio inmediatamente en las siguientes circunstancias	21



PARA SUS ARCHIVOS

Escriba el número de modelo y el de serie aquí:

Nº de modelo

Nº de serie

Podrá encontrarlos en una etiqueta en el lateral de cada unidad.

Nombre del distribuidor

Fecha de compra

- Adjunte y grape su recibo a esta página en casi de necesitar probar la fecha de compra o por motivos de la garantía.



LEA ESTE MANUAL

Dentro encontrará muchas sugerencias útiles sobre el uso y mantenimiento corrector del aire acondicionado. Apenas unos simples cuidados preventivos de su parte pueden ahorrarle mucho tiempo y dinero a lo largo de la vida útil de su aire acondicionado. Encontrará muchas respuestas a los problemas comunes en el gráfico de sugerencias para la solución de averías. Si examina antes su tabla de **Sugerencias para la solución de averías**, puede que no necesite llamar al servicio técnico.



PRECAUCIÓN

- **Entre en contacto con un técnico de servicio autorizado para realizar la reparación o el mantenimiento de esta unidad.**
- **Entre en contacto con el instalador para la instalación de esta unidad.**
- **El aire acondicionado no está diseñado para su uso por niños pequeños o personas discapacitadas sin supervisión.**
- **Los niños pequeños deben estar supervisados para asegurarse que no juegan con el aire acondicionado.**
- **Si el cordón de alimentación es dañado, este debe de sustituirse por un cordón o ensamble especial disponible por parte del fabricante o su agente de servicio autorizado.**



Precauciones de seguridad

Para evitar lesiones al usuario u otras personas o daños a la propiedad, deberá seguir las instrucciones a continuación.

- El funcionamiento incorrecto debido a la omisión de las instrucciones causará lesiones o daños. La seriedad se clasificará mediante las siguientes indicaciones:

⚠ ADVERTENCIA Este símbolo indica la posibilidad de muerte o lesión seria.

⚠ ATENCIÓN Este símbolo sólo indica la posibilidad de lesión o daños a la propiedad.

- El significado de los símbolos utilizados en este manual se muestra a continuación.



Asegúrese de no hacer esto.



Asegúrese de seguir las instrucciones.

ESPAÑOL

⚠ ADVERTENCIA

Utilice siempre un enchufe y una toma de alimentación con el terminal de tierra.

- Existe riesgo de descarga eléctrica.

No utilice un interruptor defectuoso o de capacidad equivocada. Utilice un interruptor y fusible de la capacidad correcta.

- Existe riesgo de incendio o descarga eléctrica.

No utilice un multiconector. Utilice siempre este electrodoméstico en un circuito e interruptor dedicado.

- De lo contrario podría ser causa de incendio o descarga eléctrica.

Para trabajos eléctricos, entre en contacto con el distribuidor, el vendedor, un electricista cualificado, o un centro de servicio autorizado. No desmonte o repare el producto usted mismo.

- Existe riesgo de incendio o descarga eléctrica.

Ponga siempre el producto a tierra conforme al diagrama de cableado. No conecte el cable de puesta a tierra a los cables de tierra de los conductos de agua, gas, del pararrayos o teléfono.

- Existe riesgo de incendio o descarga eléctrica.

Instale firmemente el panel y la cubierta de la caja de control.

- Existe riesgo de incendio o descarga eléctrica debido a la acumulación de polvo, agua, etc.

Utilice un interruptor o fusible de la capacidad correcta.

- Existe riesgo de incendio o descarga eléctrica.

No modifique ni alargue el cable de alimentación. Si el cable de alimentación sufriera daños, estuviera pelado, o deteriorado, deberá sustituirse por otro en perfecto estado.

- Existe riesgo de incendio o descarga eléctrica.

Para las labores de instalación, desmontaje o reinstalación, entre siempre en contacto con el distribuidor o un centro de servicio autorizado.

- Existe riesgo de incendio, descarga eléctrica, explosión o lesiones.

No instale el producto sobre un soporte de instalación defectuoso. Asegúrese que el área de instalación no se deteriora con el tiempo.

- Podría provocar averías en el producto.

No instale nunca la unidad exterior sobre una base móvil o en un lugar del que podría caerse.

- La caída de la unidad exterior podría causar daños, lesiones, o incluso la muerte.

Si el producto estuviera mojado (debido a inundaciones, etc.), póngase en contacto con el centro de servicio autorizado para realizar labores de reparación antes de volver a utilizar el producto.

- Existe riesgo de incendio o descarga eléctrica.

El condensador de aumento de la unidad exterior suministra electricidad de alta tensión a los componentes eléctricos. Asegúrese de descargar completamente el condensador antes de realizar tareas de reparación.

- Un condensador cargado de electricidad puede causar descargas eléctricas.

Utilice el equipo de instalación incluido con el producto durante la instalación de la unidad.

- De lo contrario la unidad podría caer y causar lesiones severas.

Asegúrese de utilizar únicamente aquellas piezas listadas en la lista de piezas del circuito virtual conmutado (SVC). Nunca intente modificar el equipo.

- El uso de piezas no adecuadas puede ser causa de descarga eléctrica, generación excesiva de calor o incluso incendio.

Precauciones de seguridad

Las conexiones del cableado interior/exterior deben estar firmemente aseguradas, y el cable deberá tenderse correctamente a fin de evitar tensiones no deseadas en los terminales de conexión.

- Las conexiones flojas o inadecuadas pueden ser causa de una generación excesiva de calor o incluso incendio.

Asegúrese de comprobar el tipo de refrigerante empleado. Por favor, lea la etiqueta informativa del producto.

- El uso de un refrigerante incorrecto podría evitar el funcionamiento normal de la unidad.

No coloque un radiador u otros electrodomésticos generadores de calor cerca del cable de alimentación.

- Existe riesgo de incendio o descarga eléctrica.

No utilice el producto en un espacio cerrado durante mucho tiempo. Realice periódicamente la ventilación del producto.

- Podría sufrir una carencia de oxígeno y, consecuentemente, sufrir daños en su salud.

Ventile periódicamente el cuarto donde se encuentra el producto siempre que funcione cerca de una estufa, elemento calefactor, etc.

- Podría sufrir una carencia de oxígeno y, consecuentemente, sufrir daños en su salud.

Tenga cuidado de asegurarse que nadie, especialmente niños, puede caminar por encima de o caerse sobre la unidad de exterior.

- Esto podría causar lesiones personales y daños al producto.

No enchufe ni desenchufe el cable de alimentación a fin de ENCENDER/APAGAR la unidad.

- Existe riesgo de incendio o descarga eléctrica.

Deseche los materiales de embalaje de forma segura. Como tornillos, clavos, pilas, piezas rotas, etc., tras la instalación o SVC y, a continuación, retire y deseche los plásticos de embalaje.

- Los niños podrían jugar con los desechos y sufrir lesiones.

No utilice cables, tomas o enchufes dañados.

- De lo contrario podría ser causa de incendio o descarga eléctrica.

No permita que el agua se introduzca en las piezas eléctricas. Instale la unidad lejos de posibles fuentes de agua.

- Existe riesgo de incendio, avería en el producto o descarga eléctrica.

No abra la rejilla de entrada frontal del producto durante su funcionamiento. (No toque el filtro electrostático, si la unidad está equipada con uno.)

- Existe riesgo de lesiones físicas, descarga eléctrica o averías en el producto.

Desconecte la alimentación y desenchufe la unidad antes de realizar labores de limpieza o reparación del producto.

- Existe riesgo de descarga eléctrica.

Tenga cuidado de asegurar que el cable de alimentación no pueda extraerse o dañarse durante el funcionamiento.

- Existe riesgo de incendio o descarga eléctrica.

Asegúrese de comprobar que el enchufe del cable de alimentación no esté sucio, flojo o roto y, sólo entonces, inserte el enchufe en la toma de pared.

- Un enchufe sucio, flojo o roto puede ser causa de descarga eléctrica o incendio.

No toque, opere, o repare el producto con las manos húmedas. Sujete el enchufe firmemente con la mano antes de tirar para extraerlo.

- Existe riesgo de descarga eléctrica o incendio.

No almacene, ni utilice, ni tan siquiera permita la presencia de gases inflamables o combustibles cerca del producto.

- Existe riesgo de incendio.

Si escucha ruidos, percibe olores extraños, o si su producto emite humo. Cierre inmediatamente el interruptor o desconecte el cable de alimentación.

- Existe riesgo de descarga eléctrica o incendio.

Cuando no piense utilizar el producto durante un largo período de tiempo, desconecte el enchufe de suministro de alimentación o cierre el interruptor.

- Existe riesgo de daños o averías en el producto o funcionamiento involuntario.

No coloque NINGÚN objeto sobre el cable de alimentación.

- Existe riesgo de incendio o descarga eléctrica.

Si existen fugas de gas inflamable, apague el gas y abra una ventana para la ventilación del cuarto antes de volver a encender el producto.

- No utilice el teléfono ni abra y cierre interruptores. Existe riesgo de explosión o incendio.

ATENCIÓN

Son necesarias dos o más personas para levantar y transportar el producto.

- Evite lesiones personales.

No instale el producto donde pueda estar directamente expuesto al viento del mar (salitre).

- Podría causar la oxidación del producto.

Instale la manguera de desagüe para asegurar que el agua condensada se drene correctamente.

- Una mala conexión puede causar fugas de agua.

Mantenga el nivel incluso durante la instalación del producto.

- Para evitar vibraciones o ruido.

No instale el producto donde el ruido o el aire caliente de la unidad exterior pudieran ocasionar daños o molestar a los vecinos.

- Podría causar problemas y disputas con sus vecinos.

Compruebe siempre si existen fugas de gas (refrigerante) tras la instalación o reparación del producto.

- Los niveles bajos de refrigerante pueden causar averías en el producto.

No utilice el producto con propósitos especiales, como la preservación de alimentos, obras de arte, etc. Este es un aire acondicionado de consumidor, no un sistema de refrigeración de precisión.

- Existe el riesgo de daños o pérdidas de propiedad.

No toque las piezas metálicas del producto al desmontar el filtro de aire.

- Existe el riesgo de lesiones personales.

No introduzca las manos u otros objetos en la entrada o la salida de aire mientras el producto esté en funcionamiento.

- Existen piezas afiladas y móviles que podrían causar lesiones personales.

No incline la unidad durante los procesos de desmontaje o desinstalación.

- El agua condensada del interior podría verterse.

El desmontaje de la unidad, el tratamiento del aceite refrigerante y de distintas piezas, deberá realizarse conforme a las normativas locales y nacionales.

Si el líquido de las pilas entra en contacto con su piel o ropas, lávese bien con agua limpia. No utilice el mando a distancia si las pilas han experimentado fugas.

- Los productos químicos de las pilas podrían causar quemaduras u otros peligros para la salud.

No beba el agua de desagüe del producto.

- No es potable y podría causar problemas serios de salud.

No bloquee la entrada o salida del flujo de aire.

- Podría provocar averías en el producto.

No pise ni coloque nada sobre el producto. (Unidades de exterior)

- Existe el riesgo de lesiones personales y averías en el producto.

Tenga cuidado al desempaquetar e instalar el producto.

- Los bordes afilados podrían causar lesiones.

No realice mezclas distintas a las especificadas por el refrigerante utilizado en el sistema.

- Si el aire entrara en el sistema de refrigeración, podría causar una presión excesivamente alta, provocando daños en el equipo o lesiones personales.

Sustituya las pilas del mando a distancia por otras nuevas del mismo tipo. No mezcle pilas viejas y nuevas o de distintos tipos.

- Existe riesgo de incendio o averías en el producto.

No deje el aire acondicionado en funcionamiento durante mucho tiempo cuando la humedad sea muy alta y haya dejado abierta una puerta o ventana.

- La humedad podría condensarse y mojar o dañar el mobiliario.

Utilice un taburete o escalera firme al realizar labores de limpieza, mantenimiento, o reparación del producto desde una cierta altura.

- Tenga cuidado y evite las lesiones personales.

Emplee un paño suave para limpiar la unidad. No utilice detergentes fuertes, disolventes, etc.

- Existe el riesgo de fuego, descarga eléctrica o daños a las piezas plásticas del producto.

Inserte siempre el filtro de forma segura tras su limpieza. Limpie el filtro cada dos semanas o más a menudo en caso de necesidad.

- Un filtro sucio reducirá la eficacia del producto.

Si el producto sufriera fugas de gas refrigerante durante las labores de reparación, no entre en contacto con el refrigerante.

- El gas refrigerante puede causar lesiones por congelación (quemaduras por frío)

Si el gas refrigerante sufriera fugas durante la instalación, ventile inmediatamente el área.

- De lo contrario podría resultar perjudicial para su salud.

No recargue ni abra las pilas. No las tire al fuego.

- Pueden quemarse o explotar.

No exponga a los niños, plantas, o su propia piel, directamente a la corriente de aire frío o caliente.

- Esto podría resultar perjudicial para su salud.

Seguridad eléctrica

⚠ ADVERTENCIA

- Este pequeño electrodoméstico debe estar correctamente puesto a tierra. Para reducir al mínimo el riesgo de descargas eléctricas, siempre deberá enchufar la unidad en una toma con puesta a tierra.
- No corte ni quite la clavija de puesta a tierra del enchufe de alimentación.
- Fijar el terminal de puesta a tierra del adaptador al tornillo de la tapa de la toma de pared no pondrá a tierra la unidad a menos que el tornillo de la tapa sea metálico y no esté aislado, y la toma de pared esté puesta a tierra a través del cableado de la casa.
- Si tiene alguna duda sobre si el aire acondicionado está puesto a tierra correctamente, solicite a un electricista cualificado que revise la toma de pared y el circuito.

Uso temporal de un adaptador

Desaconsejamos firmemente el uso de un adaptador debido a los potenciales peligros de seguridad. En conexiones temporales, utilice únicamente un adaptador original, disponible en la mayoría de sus almacenes locales de ferretería. Asegúrese que la ranura grande del adaptador esté alineada con la ranura grande de la toma para realizar una conexión correcta de la polaridad.

Para desconectar el cable de alimentación del adaptador, coloque una mano en cada uno para evitar dañar la clavija de puesta a tierra. Evite desenchufar con frecuencia el cable de alimentación, ya que esto podría provocar daños eventuales a la clavija de puesta a tierra.

⚠ ADVERTENCIA

- No utilice nunca la unidad con un adaptador roto.

Uso temporal de un alargador de alimentación

Desaconsejamos firmemente el uso de un alargador de alimentación debido a los potenciales peligros de seguridad. En situaciones temporales, utilice únicamente cables alargadores de alimentación puestos a tierra de tres hilos, con certificación CSA y catalogado UL, de 15 A 125Vca

⚠ ADVERTENCIA

Este pequeño electrodoméstico debe instalarse conforme a las normativas nacionales de cableado eléctrico. Este manual actúa como guía para ayudar a explicar las características de producto.

Símbolos utilizados en este manual



Este símbolo le alerta del riesgo de descarga eléctrica.



Este símbolo le alerta de los peligros que pueden causar daños al aire acondicionado.

NOTA

Este símbolo indica notas especiales.

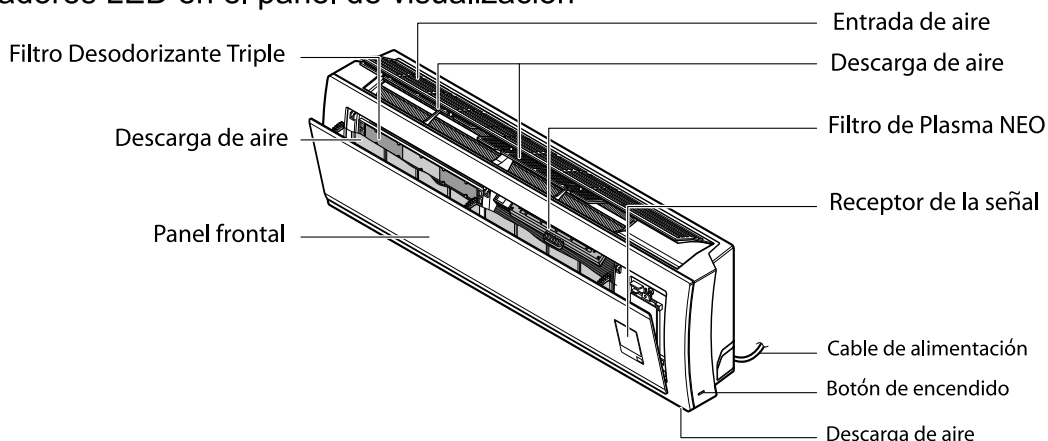
Presentación del producto

A continuación encontrará una breve presentación de las unidades de interior y exterior. Por favor, consulte la información específica relativa al tipo de su unidad interior.

Unidades interiores

Tipo Split estándar (unidad separada)

Indicadores LED en el panel de visualización



Indicadores luminosos de funcionamiento

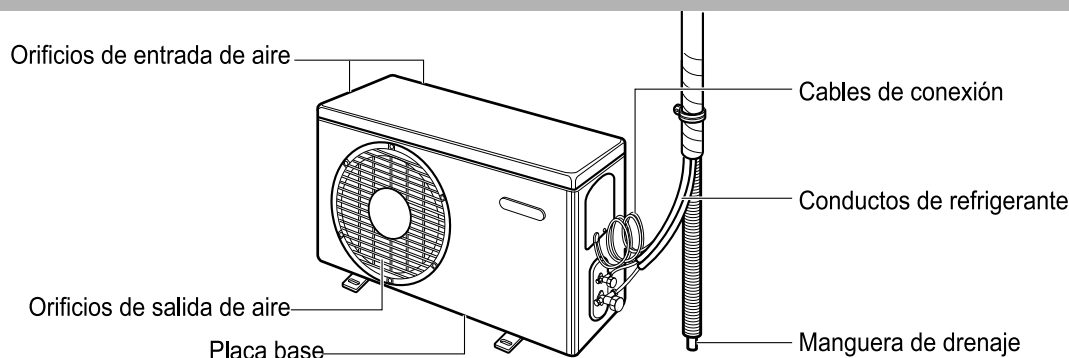
- Encendido/apagado : Se encenderá durante el funcionamiento del sistema, en caso de código de error y ajuste de reinicio automático.
- Modo reposo : Se enciende durante el funcionamiento automático del modo reposo. (Modelo no inversor)
- Energy-Saving Cooling Mode : Se ilumina durante el funcionamiento en ahorro de energía del modo de enfriamiento (Sólo el modelo inversor)
- Plasma : La función ilustra su modo dinámico utilizando un sistema de iluminación múltiple.
- Temporizador : Se enciende durante el funcionamiento del temporizador. (Modelo no inversor)
Se ilumina durante el funcionamiento del temporizador o el funcionamiento automático del modo de reposo (Sólo el modelo inversor)
- Modo descongelación : Se enciende durante el modo descongelación o el *Arranque en caliente (Sólo modelo bomba de calor).
- Funcionamiento de unidad exterior : Se enciende durante el funcionamiento al aire libre de la unidad. (Sólo modelo de enfriamiento).
- Pantalla digital : Indica la temperatura y el modo de funcionamiento configurado.

Modo de funcionamiento	Modo enfriamiento, calefacción, deshumidificación	Modo de funcionamiento automático						Enfriamiento por chorro de aire frío/caliente	Energy-saving cooling mode	Comprobación del funcionamiento	Limpieza automática
		Estándar	Demasiado caliente	Calor	Comodidad	Frio	Demasiado frio				
Forma de la pantalla	Configuración de temperatura	R1	-2	-1	0	1	2	Po	Eo	Lo	Co

* **Arranque en caliente:** Cesa, durante algunos minutos, el funcionamiento del ventilador interior en la función de calefacción para evitar que el aire frío se escape de la unidad.

* En modo descongelación la unidad cesa su funcionamiento de calefacción durante diez minutos a fin de eliminar cualquier formación de hielo en las bobinas del intercambiador de calor y mantener así su nivel de eficacia.

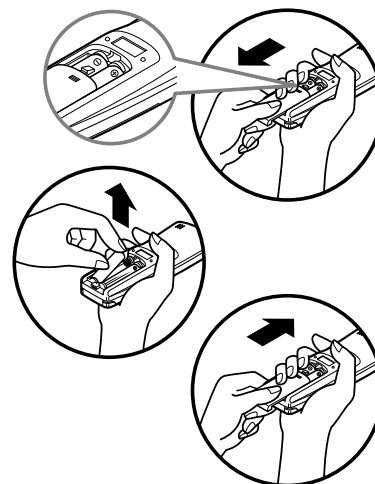
Unidad exterior



Instrucciones de funcionamiento

Inserción de pilas

1. Desmonte la tapa de la batería tirando de ella en la dirección de la flecha.
2. Inserte las nuevas pilas asegurándose de que los signos (+) y (-) de la pila están instalados correctamente.
3. Monte de nuevo la tapa deslizándola nuevamente en posición.

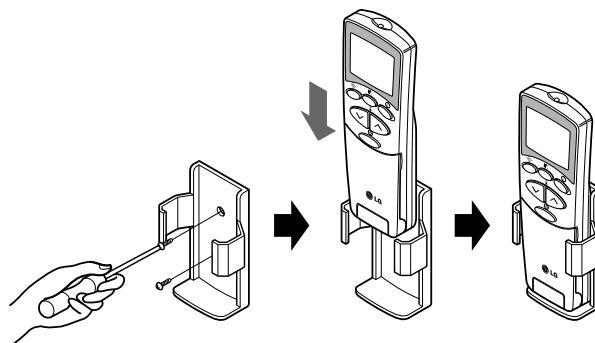


NOTA

1. Utilice/Sustituya siempre ambas pilas por otras del mismo tipo.
2. Si no piensa utilizar el sistema durante un largo período de tiempo, retire las pilas a fin de extender su vida útil.
3. Si la información en la pantalla del mando a distancia comenzara a desvanecerse, sustituya ambas pilas.

Mantenimiento del mando a distancia inalámbrico

1. Seleccione para éste un lugar seguro y de fácil acceso.
2. Fije el soporte a la pared mediante los tornillos incluidos.
3. Deslice el mando a distancia en su soporte.

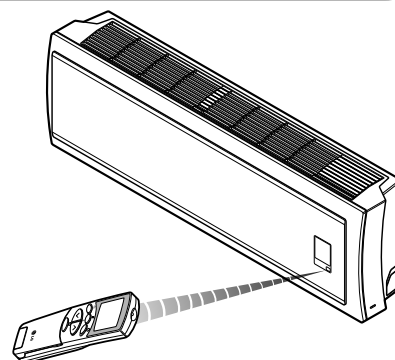


NOTA

1. El mando a distancia nunca debe ser expuesto a la luz directa del sol.
2. Debe mantener siempre limpio el transmisor/receptor de señal a fin de asegurar una correcta comunicación. Emplee un paño suave para limpiarlo.
3. Si el mando a distancia opera además otros equipos, cambie su posición o consulte al técnico de servicio.

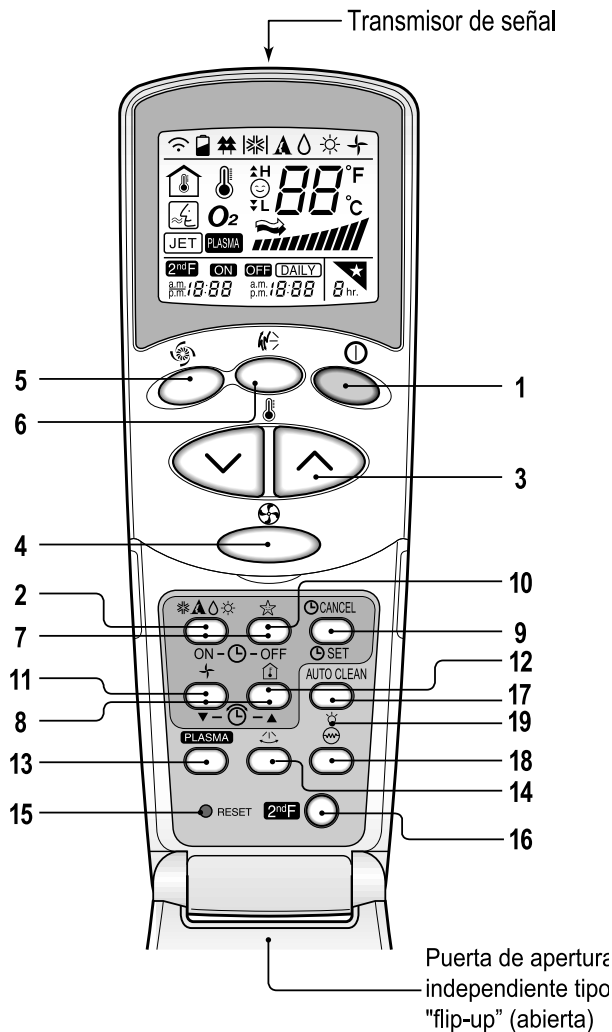
Método de funcionamiento

1. El receptor de señal se encuentra en el interior de la unidad.
2. Apunte a la unidad con el mando a distancia a fin de ponerla en funcionamiento. No deben existir obstáculos entre ambos.



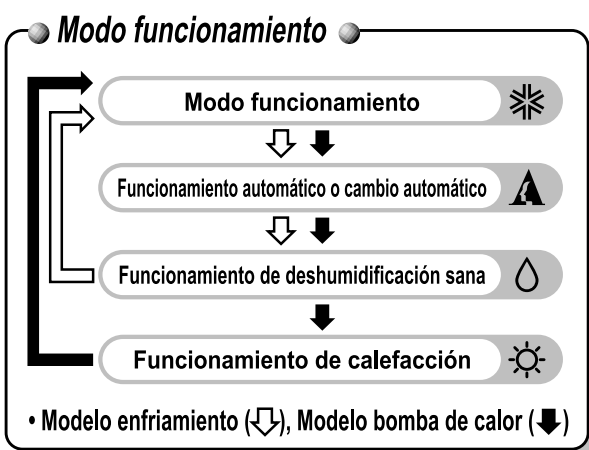
Mando a distancia inalámbrico

Los controles serán idénticos a los siguientes.



- 1. BOTÓN START/STOP**
Utilizado para encender/apagar la unidad.
- 2. BOTÓN DE SELECCIÓN DEL MODO DE FUNCIONAMIENTO**
Utilizado para seleccionar el modo de funcionamiento.
- 3. BOTONES DE AJUSTE DE LA TEMPERATURA AMBIENTE**
Utilizados para configurar la temperatura ambiente.
- 4. BOTÓN SELECTOR DE VELOCIDAD DEL VENTILADOR INTERIOR**
Utilizado para seleccionar la velocidad del ventilador en cuatro pasos: bajo, medio, alto y CAOS.
- 5. BOTÓN JET COOL (enfriamiento rápido)**
Utilizado para iniciar o parar la velocidad de enfriamiento. (Opera el ventilador en velocidad súper rápida en modo enfriamiento)
- 6. BOTÓN CHAOS SWING**
Utilizado para iniciar o cesar el movimiento de las palas y configurar la dirección arriba/abajo deseada del flujo de aire.
- 7. BOTONES DE ENCENDIDO/APAGADO DEL TEMPORIZADOR**
Utilizados para configurar el tiempo de inicio y cese del funcionamiento.
- 8. BOTONES DE CONFIGURACIÓN HORARIA**
Utilizados para ajustar la hora.
- 9. BOTÓN DE CONFIGURACIÓN/CANCELACIÓN DEL TEMPORIZADOR**
Utilizado para establecer y cancelar el funcionamiento del temporizador.
- 10. BOTÓN DEL MODO REPOSO**
Utilizado para configurar el funcionamiento automático del modo reposo.
- 11. BOTÓN DE CIRCULACIÓN DE AIRE**
Utilizado para hacer circular el aire del cuarto sin enfriarlo ni calentarlo.
- BOTÓN DE MODO ENFRIAMIENTO EN MODO AHORRO DE ENERGÍA (OPCIONAL) Para modelos tipo Inverter**
- 12. BOTÓN DE COMPROBACIÓN DE TEMPERATURA AMBIENTE**
Utilizado para comprobar la temperatura ambiente.
- 13. BOTÓN DE PLASMA (OPCIONAL)**
Utilizado para configurar el inicio o cese de la función de purificación por plasma.
- 14. BOTÓN DE CONTROL DE DIRECCIÓN DEL FLUJO DE AIRE HORIZONTAL (OPCIONAL)**
Utilizado para configurar la dirección horizontal deseada del flujo de aire.
- 15. BOTÓN RESET**
Utilizado antes del tiempo de restablecimiento.
- 16. BOTÓN DE 2ª FUNCIÓN**
Utilizado antes del uso de modos impresos en azul en la parte inferior de los botones.
- 17. BOTÓN DE LIMPIEZA AUTOMÁTICA (OPCIONAL)**
Utilizado para configurar el modo de limpieza automática. En ciertos modelos este botón cuenta con una 2ª función del control de luminosidad del LED.
- 18. BOTÓN CALEFACCIÓN (OPCIONAL)**
(No disponible en todos los modelos)
- 19. Botón LCD LUMINOSITY (OPCIONAL)**
Sirve para ajustar el brillo del LCD.

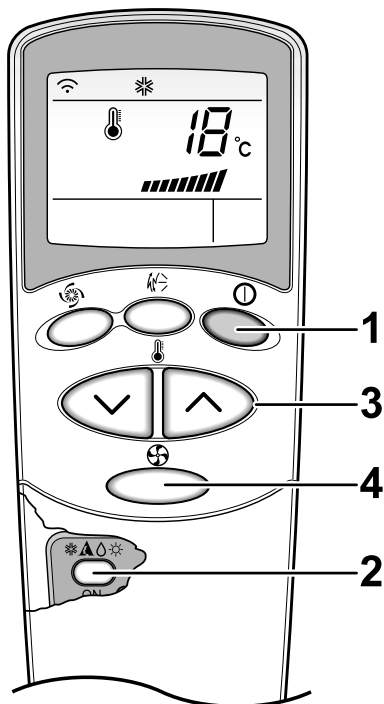
ESPAÑOL



NOTA

Presione primero el botón 2ndF y después el botón de función deseado a fin de utilizar las funciones impresas en azul en la base de los botones. Presionar el botón 2ndF activa la función impresa en azul en la base del botón respectivo. Para cancelar la función, presione de nuevo el botón 2ndF; de lo contrario cancelará automáticamente si la unidad permanece en ralentí tras 10 segundos.

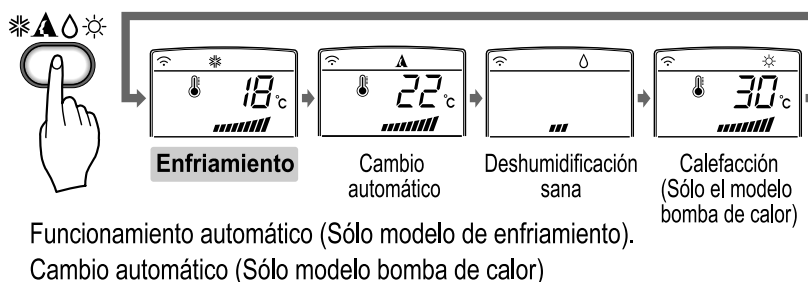
Modo funcionamiento



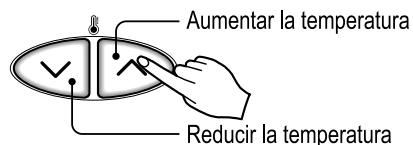
- 1** Presione el botón Start/Stop para encender la unidad. La unidad responderá con una señal sonora



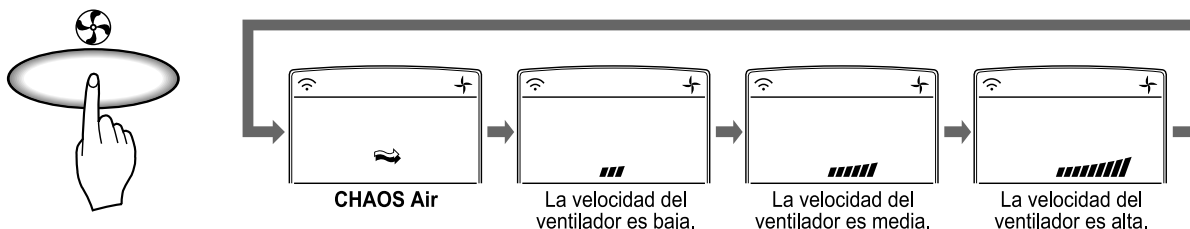
- 2** Abra la puerta del mando a distancia y presione el botón modo de funcionamiento. Cada vez que presione el botón, el modo de funcionamiento cambiará en la dirección de la flecha.



- 3** Establezca la temperatura interior deseada, para la operación de enfriamiento o calefacción presionando los BOTONES DE AJUSTE DE TEMPERATURA AMBIENTE. La temperatura de enfriamiento debe establecerse entre los 18 °C y los 30 °C y, para la calefacción, entre los 16 °C y los 30 °C



- 4** Establezca la velocidad del ventilador mediante el mando a distancia. Usted puede seleccionar la velocidad del ventilador en cuatro pasos: bajo, medio, alto y CAOS. Cada vez que presione el botón, cambiará el modo de velocidad del ventilador.

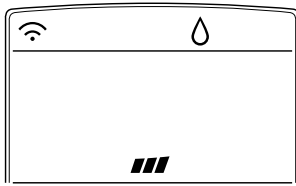


Viento natural por lógica CAOS

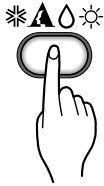
- Para lograr una sensación más fresca, presione el BOTÓN SELECTOR DE VELOCIDAD DEL VENTILADOR INTERIOR y configure el modo CAOS.

En este modo, el viento sopla como una brisa natural cambiando automáticamente la velocidad del ventilador según la lógica CAOS.

Funcionamiento de deshumidificación sana



**Deshumidificación
sana**



Durante el funcionamiento de la deshumidificación sana

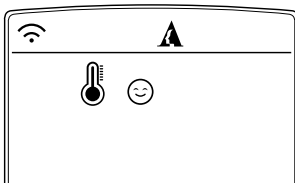
- Si selecciona el modo deshumidificación mediante el BOTÓN DE SELECCIÓN DEL MODO DE FUNCIONAMIENTO, el producto activará la función de deshumidificación. Establece automáticamente la temperatura ambiente y el volumen del flujo de aire a las mejores condiciones para la deshumidificación, basándose en la temperatura ambiente actual detectada.

En este caso, sin embargo, la temperatura establecida no se muestra en el mando a distancia y usted tampoco podrá controlar la temperatura ambiente.

- Durante la función de deshumidificación sana el volumen del flujo de aire se establece automáticamente según el algoritmo de optimización que responde al estado actual de la temperatura ambiente, para mantener las condiciones del cuarto sanas y confortables incluso en estaciones muy húmedas.

Siga los pasos 1, 2 y 4 para ejecutar el modo de deshumidificación sana (Consulte el modo de funcionamiento)

Funcionamiento automático (Sólo modelo de enfriamiento)



Automático

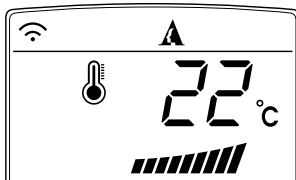
En este modo de funcionamiento, el ajuste real de temperatura y la velocidad del ventilador se establecerán automáticamente mediante la lógica de control electrónico basándose en la temperatura ambiente actual. Si sintiera frío o calor, presione los botones de ajuste de temperatura a fin de lograr elevar o reducir la temperatura, respectivamente.

NOTA : No podrá establecer la temperatura de ajuste actual y la velocidad del ventilador interior en este modo de funcionamiento. Aunque puede utilizar el cambio Chaos en esta operación.

Si el sistema no está funcionando según lo deseado, cambie manualmente a otro modo.

Siga los pasos 1 y 2 para ejecutar el funcionamiento automático. (Consulte el modo de funcionamiento)

Operación de cambio automático (Sólo modelo bomba de calor)



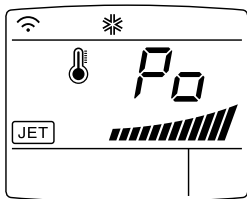
**Cambio
automático**

Básicamente, el funcionamiento automático es el de función de enfriamiento o calefacción del aire acondicionado.

Sin embargo, durante esta operación, el controlador cambia automáticamente el modo de funcionamiento a fin de mantener la temperatura en los ± 2 °C en relación al ajuste de temperatura.

Siga los pasos 1, 2, 3 y 4 para ejecutar esta operación. (Consulte el modo de funcionamiento)

Operación del enfriamiento por chorro de aire frío/caliente



La función de chorro de aire frío puede ser empleada para enfriar rápidamente un cuarto en un día caluroso. Cuando esta función esté activa, el aire acondicionado funcionará en modo operación de enfriamiento, con una velocidad ultrarrápida del ventilador y una temperatura de 18 °C durante 30 minutos a fin de lograr un enfriamiento rápido y eficaz.

De forma similar, la función de chorro de aire caliente (disponible únicamente en algunos modelos) calienta rápidamente el cuarto mediante la operación del ventilador a una velocidad ultrarrápida y a una temperatura de 30 °C durante 60 minutos.

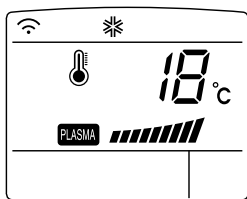
Podrá activar este funcionamiento presionando el BOTÓN JET COOL (enfriamiento por chorro de aire). Para cambiar del modo enfriamiento por chorro de aire al modo enfriamiento por velocidad alta del ventilador, presione de nuevo el BOTÓN JET COOL o BOTÓN SELECTOR DE VELOCIDAD DEL VENTILADOR INTERIOR o el BOTÓN DE AJUSTE DE TEMPERATURA AMBIENTE.



NOTA

- La función Jet cool function no puede ser activada durante las operaciones de cambio a/de calefacción o automático.
- En el caso de los modelos Inverter, Art Cool y Art Cool Wide (no Deluxe), podrá utilizar la función calefacción por chorro de aire caliente presionando el BOTÓN JET COOL para el funcionamiento de la calefacción.
- Los modelos Art Cool y Art Cool Wide cierran las descargas laterales durante el funcionamiento del chorro de aire frío/caliente, a fin de lograr un enfriamiento/calefacción más fuerte y eficaz.

Funcionamiento de purificación NEO PLASMA (opcional)



El filtro de plasma es una tecnología desarrollada por LG a fin de lograr eliminar los contaminantes microscópicos presentes en el aire de entrada mediante la generación de un plasma con electrones de altas cargas. Este plasma elimina y destroza completamente los contaminantes para proporcionar un aire limpio e higiénico.

La purificación por plasma puede iniciarse presionando el BOTÓN PLASMA en el mano a distancia. Volver a presionarlo cancelará su ejecución.



NOTA

Esta característica puede emplearse en cualquier modo de funcionamiento y a cualquier velocidad del ventilador.

Limpieza automática (opcional)

- Durante la función de limpieza automática, podrá eliminarse la humedad que aún permanezca en las unidades interiores tras el enfriamiento o deshumidificación sana.



1. Presione el BOTÓN LIMPIEZA AUTOMÁTICA para activar esta función.
2. Ahora, siempre que la unidad esté apagada, el ventilador interior continuará en funcionamiento durante cerca de 30 minutos, de forma interna, sin enfriar ni deshumidificar. Igualmente permanecerá cerrada la rejilla.
3. Esto eliminará cualquier humedad existente y limpiará internamente la unidad.
4. Si presionara, de nuevo, el BOTÓN LIMPIEZA AUTOMÁTICA durante su ejecución, la función sería cancelada.

NOTA

- Durante la función de limpieza automática, sólo podrá utilizar el BOTÓN START/STOP, BOTÓN PLASMA y el BOTÓN LIMPIEZA AUTOMÁTICA.

Modo de enfriamiento Ahorro de energía (opcional)

El modo de enfriamiento en ahorro de energía le permite ahorrar durante la operación de enfriamiento y deshumidificación sana, ya que puede operar eficazmente ajustando el tiempo de adaptación conforme al cambio de tiempo y temperatura y ajustando automáticamente la temperatura deseada.



1. Presione el BOTÓN START/STOP para iniciar la unidad.
2. Abra la puerta del mando a distancia. Seleccione la operación de enfriamiento o deshumidificación sana.
3. Presione el BOTÓN MODO ENFRIAMIENTO EN AHORRO DE ENERGÍA.
4. Para cancelar el modo enfriamiento en ahorro de energía, presione de nuevo el BOTÓN MODO ENFRIAMIENTO EN AHORRO DE ENERGÍA para que la unidad opere el modo anterior (modo de enfriamiento o deshumidificación sana).

Brillo de la pantalla (opcional)

El brillo de la pantalla se puede ajustar con el mando a distancia.

Pulse el botón de encendido/apagado para encender la unidad. Abra la tapa del mando a distancia, pulse el botón 2ndF y, a continuación, pulse el botón de brillo de la pantalla.

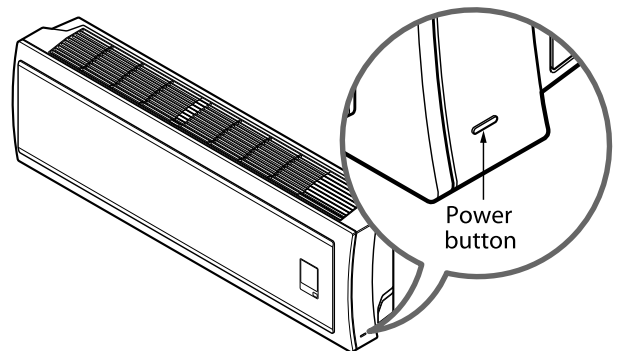
La pantalla se oscurecerá. Pulse nuevamente este botón para ajustar el brillo de la pantalla.

Funcionamiento Forzado

Procedimientos para el funcionamiento cuando no se puede utilizar el control remoto.

La unidad se pone en marcha cuando se pulsa este botón.

Si desea pararla, pulse el botón de nuevo.



	Modelo de enfriamiento	Modelo de bomba de calor		
		Temperatura de la habitación $\geq 24^{\circ}\text{C}$	$21^{\circ}\text{C} \leq \text{temp. habit.} < 24^{\circ}\text{C}$	Temperatura de la habitación $< 21^{\circ}\text{C}$
Modo de funcionamiento	Enfriamiento	Enfriamiento	Deshumidificación saludable	Calentamiento
Velocidad de VENTILADOR interior	Alta	Alta	Alta	Alta
Seleccionar la temperatura	22°C	22°C	23°C	24°C

Operación de prueba


Durante la OPERACIÓN DE PRUEBA, la unidad opera en el modo de refrigeración con el ventilador de alta velocidad, sin tener en cuenta la temperatura y restaura en 18 minutos.

Durante la operación de prueba, si se recibe la señal del control remoto, la unidad opera como fije el control remoto.

Si desea utilizar esta operación, abra hacia arriba el panel delantero y mantenga presionado el botón ON/OFF durante 3-5 segundos. Después se emitirá un pitido 1 "beep".

Si desea detener la operación, vuelva a presionar el botón.

Modo reposo

1. Presione el BOTÓN MODO REPOSO AUTOMÁTICO para configurar la hora a la que desea que la unidad se apague automáticamente. 
2. El temporizador se programa en incrementos de una hora presionando el BOTÓN MODO REPOSO AUTOMÁTICO de 1 a 7 veces. El modo reposo está disponible de 1 a 7 veces. Para alterar el período de tiempo en incrementos de 1 hora, presione el BOTÓN MODO REPOSO AUTOMÁTICO mientras apunta con el mando al aire acondicionado.
3. • **(en el modelo sin convertidor)**
Asegúrese de que estén iluminados los indicadores LED del modo Apagado.
Para cancelar el modo apagado, pulse el botón SLEEP MODE AUTO hasta que se apaguen los indicadores LED del modo Apagado.
• **(en el modelo con convertidor)**
Asegúrese de que estén iluminados los indicadores LED del modo Temporizador.
Para cancelar el modo apagado, pulse el botón SLEEP MODE AUTO hasta que se apaguen los indicadores LED del modo Temporizador.

NOTA

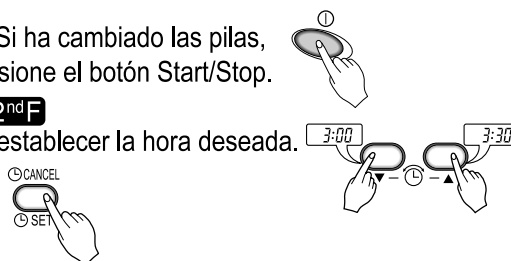
- El modo reposo operará el ventilador interior a baja velocidad en modo enfriamiento, y a velocidad media en modo calefacción para lograr un descanso agradable.
- Art Cool y Art Cool Wide (no Deluxe) cierran parcialmente la descarga inferior en modo reposo para lograr un descanso agradable.

En modo enfriamiento o modo de deshumidificación sana:

La temperatura de ajuste aumentará automáticamente, dos veces, en incrementos de 1 °C durante los siguientes 30 minutos (y de 2 °C durante 1 hora) para lograr un descanso agradable. A partir de ahora ésta será la temperatura final siempre que el modo reposo permanezca en funcionamiento.

Configuración de la hora actual

1. La hora sólo puede configurarse al presionar el BOTÓN RESET. Si ha cambiado las pilas, deberá presionar el BOTÓN RESET para restablecer la hora. Presione el botón Start/Stop.
2. Presione el botón 2nd F y compruebe si el icono está encendido. **2nd F**
3. Presione los BOTONES DE CONFIGURACIÓN HORARIA hasta establecer la hora deseada.
4. Presione el BOTÓN CONFIGURACIÓN HORARIA/CANCELAR.

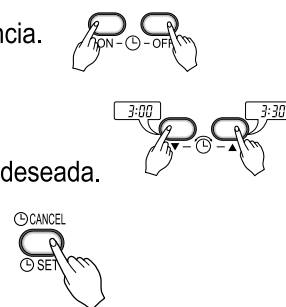


NOTA

Compruebe el indicador de A.M. y P.M.

Ajuste del temporizador

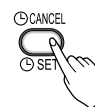
1. Asegúrese de ajustar correctamente la hora actual en la pantalla del mando a distancia.
2. Presione el botón 2ª F.
3. Presione los BOTONES DE TEMPORIZADOR ENCENDIDO/APAGADO para encender o apagar el temporizador.
4. Presione los BOTONES DE CONFIGURACIÓN HORARIA hasta establecer la hora deseada.
5. Para establecer el tiempo seleccionado, presione los BOTONES DE AJUSTE DEL TEMPORIZADOR mientras apunta al receptor de señal con el mando a distancia.



Cancelación de ajuste del temporizador

Compruebe si el icono está inactivo. **2nd F**

Presione el BOTÓN DE CANCELACIÓN DEL TEMPORIZADOR apuntando al receptor de señal con el mando a distancia. (Se apagará la luz del temporizador del aire acondicionado y la pantalla.)



NOTA

Seleccione uno de los siguientes cuatro tipos de funcionamiento.



Desactivación retardada del temporizador



Activación retardada del temporizador



Desactivación y activación retardada del temporizador



Activación y desactivación retardada del temporizador

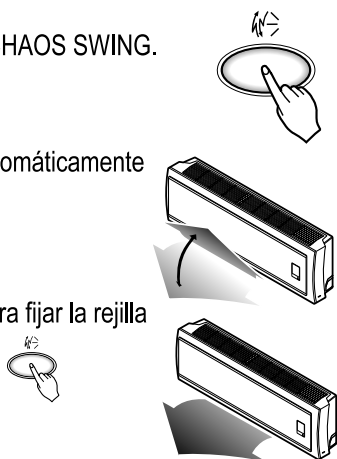
Control de dirección vertical/horizontal del flujo de aire (Opcional)

El flujo de aire arriba/abajo (flujo de aire vertical) puede ajustarse mediante el mando a distancia.

1. Presione el BOTÓN START/STOP para iniciar la unidad.
2. Presione el BOTÓN CHAOS SWING.

3. Las rejillas oscilan automáticamente hacia arriba y abajo.

4. Presione de nuevo para fijar la rejilla en el ángulo deseado.

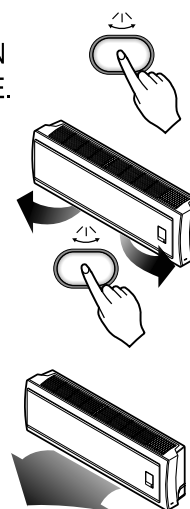


El flujo izquierdo/derecho (flujo de aire horizontal) puede ajustarse mediante el mando a distancia.

1. Presione el BOTÓN START/STOP para iniciar la unidad.
2. Presione el BOTÓN DE DIRECCIÓN HORIZONTAL DEL FLUJO DE AIRE.

3. Las rejillas oscilan automáticamente hacia izquierda y derecha.

4. Presione de nuevo para fijar las rejillas en el ángulo deseado.

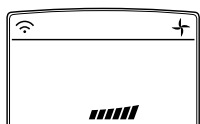


ESPAÑOL

NOTA

- Si presiona el BOTÓN CHAOS SWING, la dirección horizontal del flujo de aire cambiará automáticamente basándose en el algoritmo chaos para distribuir uniformemente el aire del cuarto y al mismo tiempo hacer que el cuerpo humano se sienta más cómodo, como si disfrutara de una brisa natural.
- Utilice siempre el mando a distancia para ajustar la dirección arriba/abajo del flujo de aire. Mover manualmente la pala vertical de dirección del flujo de aire podría dañar el mecanismo. Al apagar la unidad, la pala de dirección arriba/abajo del flujo de aire cerrará el orificio de salida de aire del sistema.

Modo circulación de aire



Esta operación hace circular el aire del cuarto sin enfriarlo ni calentarlo. Puede ser activado presionando el BOTÓN CIRCULACIÓN DE AIRE. Una vez activada la circulación de aire, usted podrá seleccionar la velocidad del aire presionando el BOTÓN SELECTOR DE VELOCIDAD DEL VENTILADOR INTERIOR.



NOTA

CAOS Air ahorra el consumo de energía y evita el enfriamiento excesivo. La velocidad del ventilador cambiará automáticamente de alta a baja o viceversa, dependiendo de la temperatura ambiente.

- En el caso de modelo tipo Inverter, que no cuentan con el BOTÓN CIRCULACIÓN DE AIRE, la circulación podrá ser activada presionando el BOTÓN PLASMA.

Función de reinicio automático

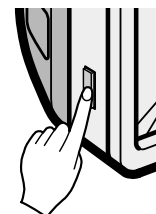
Esta función resulta útil en situaciones de caída de tensión.

Una vez recuperada la tensión, esta característica reanuda la condición operativa anterior, y el aire acondicionado funcionará bajo los mismos ajustes.

NOTA

Esta característica es activada por los ajustes por defecto de fábrica, pero siempre puede desactivarla presionando el botón ON/OFF durante 6 segundos. La unidad emitirá dos señales sonoras, y la luz indicadora (2) parpadeará 4 veces.

Presione de nuevo el botón durante 6 segundos para activarla. La unidad emitirá dos señales sonoras, y la luz indicadora (1) parpadeará 4 veces.



Mantenimiento y servicio

⚠ ATENCIÓN

Antes de realizar labores de mantenimiento, desconecte la alimentación del sistema, cierre el interruptor y desenchufe el cable de alimentación.

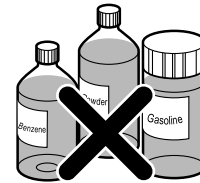
Unidad interior

Limpie la unidad con un paño seco y suave. No utilice lejía o sustancias abrasivas.

⚠ ATENCIÓN

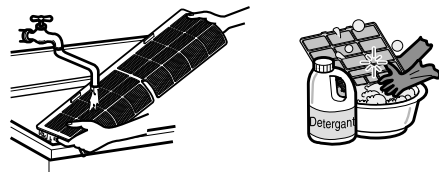
No utilice nunca los siguientes elementos:

- Agua caliente por encima de los 40°C Podría causar la deformación y/o decoloración de la unidad.
- Sustancias volátiles. Podrían dañar la superficie del aire acondicionado.



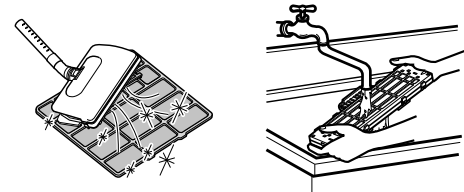
Filtros de aire

Los filtros de aire tras el panel/rejilla frontal deberán revisarse y limpiarse una vez cada 2 semanas o más a menudo si es necesario. Consulte los diagramas auto-explicativos para cada tipo de modelo a fin de saber cómo retirar los filtros. Limpie los filtros con una aspiradora o con agua templada y jabonosa. Si la suciedad aún resulta notable, lave el producto con una solución de detergente y agua templada. Déjelos secar a la sombra y vuelva a instalar los filtros en su lugar, una vez secos.



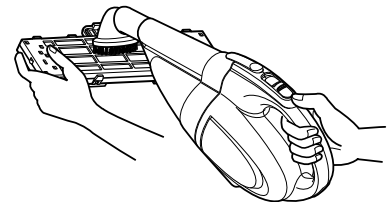
Filtros de plasma

Los filtros de plasma tras el filtro de aire deberán revisarse y limpiarse una vez cada 3 meses o más a menudo si fuera necesario. Consulte los diagramas auto-explicativos para cada tipo de modelo a fin de saber cómo retirar los filtros. Limpie los filtros con una aspiradora. Si la suciedad aún resulta notable, lave el producto con agua templada y déjelos secar a la sombra y vuelva a instalarlos en su lugar.



Filtros desodorantes

Retire los filtros desodorantes tras el filtro de aire y expóngalos a la luz directa del sol durante 2 horas. A continuación, vuelva a insertar los filtros en su posición original.



Desmontaje de filtros

1. Art Cool Deluxe :

El procedimiento de desmontaje de los filtros es igual en el modelo tipo Art Cool, expuesto anteriormente.



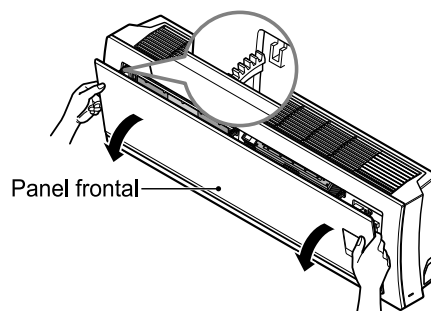
ADVERTENCIA: apague el sistema antes de limpiar la unidad.

Límpielas con un paño suave y seco. No utilice lejía o sustancias abrasivas

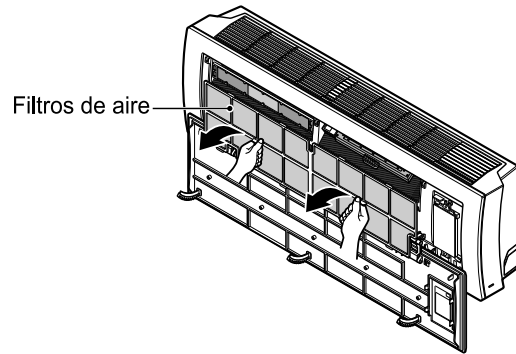
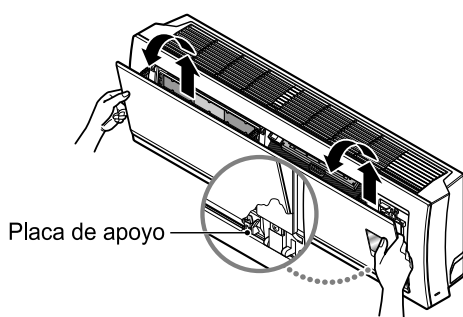
AVISO

Debe desconectar el suministro de energía antes de limpiar la unidad interior.

1. Extraiga la parte superior del panel frontal hasta poder extraer el soporte.

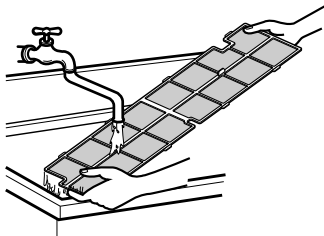


- Levante el panel frontal y extraiga los ganchos de la placa de apoyo.
- Baje el panel y saque el filtro de aire.

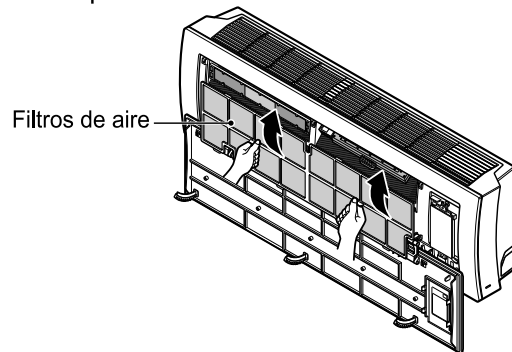


⚠ ADVERTENCIA: No toque este filtro PLASMA antes de que pasen 10 segundos después de abrir la parrilla de entrada, ya que puede provocar una descarga eléctrica.

- Límpielo con un cepillo suave y un aspirador. Si está muy sucio, lave con agua.



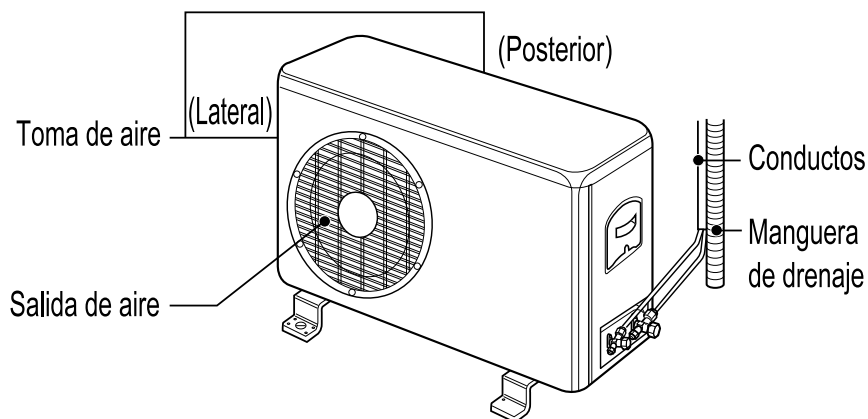
- Vuelva a instalar el filtro de aire secado a la sombra y cierre el panel.



Unidad exterior

El circuito de intercambio de calor y los paneles de ventilación de la unidad exterior deben examinarse con regularidad. Si se obstruyen con polvo u hollín, el circuito de intercambio de calor y paneles de ventilación pueden ser limpiados con vapor por un profesional.

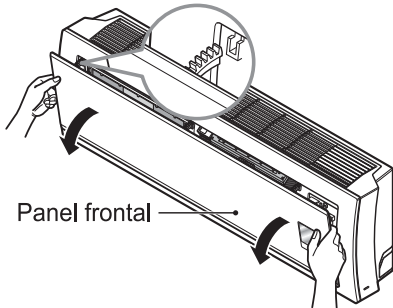
NOTICE Los circuitos de intercambio de calor sucios u obstruidos reducirán la eficiencia de funcionamiento y provocarán un consumo superior.



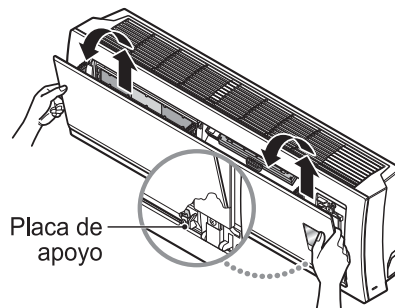
Filtro de limpieza

- Período de uso recomendado: Unos 3 meses.

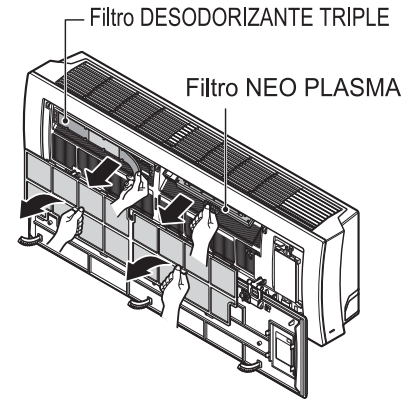
1. Extraiga la parte superior del panel frontal hasta poder extraer el soporte.



2. Levante el panel frontal y extraiga los ganchos de la placa de apoyo.

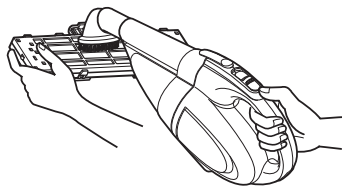
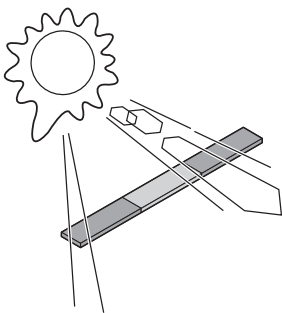


3. Desmonte el filtro de aire y después extraiga el filtro de plasma NEO y el filtro triple desodorizante.

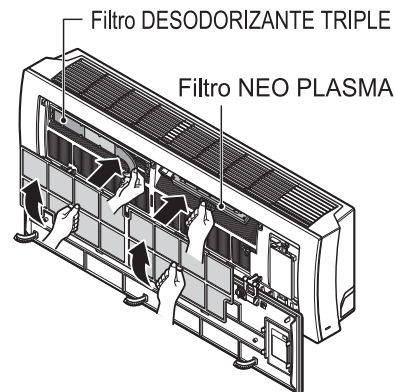


4-1. Limpie el filtro de plasma NEO con la aspiradora.

4-2. Seque al sol durante dos horas

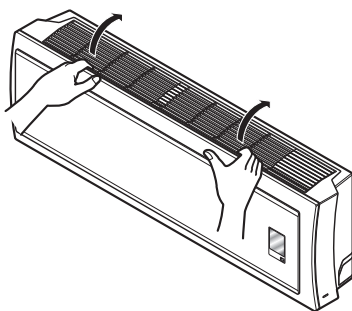


5. Vuelva a colocar el filtro de plasma NEO secado a la sombra y después introduzca el filtro triple desodorizante y después el filtro de aire.

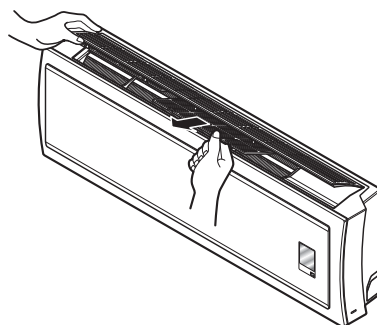


Limpieza del filtro de aire superior

1. Abra la entrada de aire.

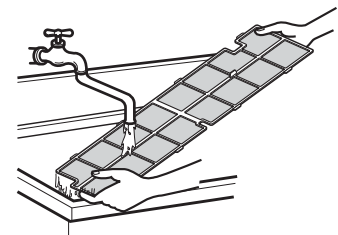


2. Retire el filtro de aire.



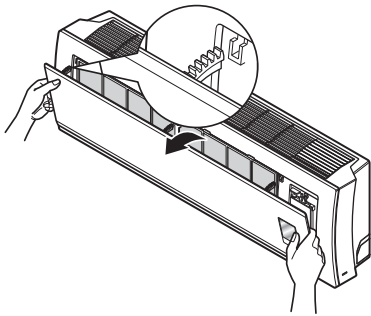
3. Límpielo con un cepillo suave y un aspirador. Si está muy sucio, lave con agua.

4. Vuelva a instalar el filtro de aire, que ha dejado secar a la sombra, y cierre la entrada de aire.

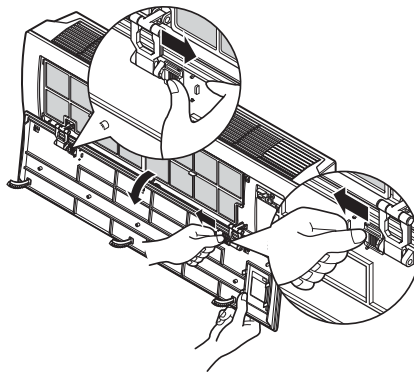


Sustitución del panel frontal

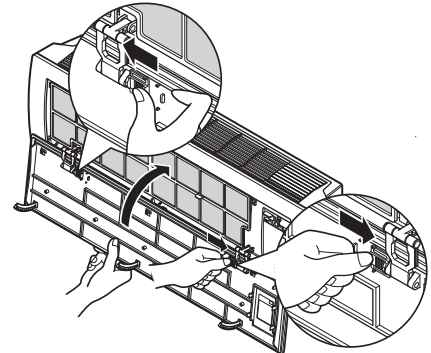
1. Extraiga la parte superior del panel frontal hasta poder extraer el soporte.



2. Extraiga las clavijas pasador en ambos lados del panel frontal.



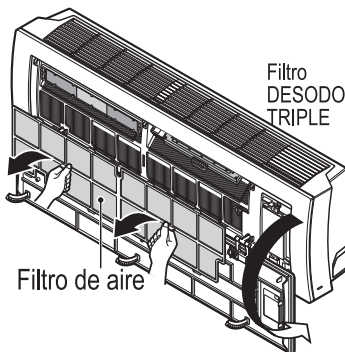
3. Desmonte el panel frontal e instale el nuevo panel frontal de otro color.



Substitución del filtro purificador

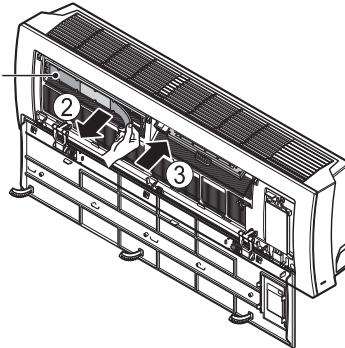
• Período de uso recomendado: Aproximadamente por 2 años

1. Retire el panel frontal y filtros de aire.

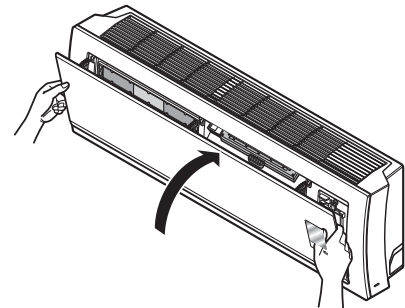


2. Retirar los filtros purificadores de aire.

3. Volver a introducir los filtros de aire y cerrar el panel frontal.



4. Introducir los nuevos filtros purificadores de aire..



NOTA

Tener las bobinas sucias u obstruidas reduce la eficacia de funcionamiento del sistema y causa importantes gastos de funcionamiento.

Sugerencias

No enfríe demasiado el habitáculo.

Esto no es sano para su salud y además representa un derroche de electricidad.

Mantenga cerradas cortinas y persianas.

No permita que la luz directa del sol entre en el habitáculo mientras el aire acondicionado se encuentre en funcionamiento.

Mantenga uniforme la temperatura del habitáculo.

Ajuste la dirección del flujo de aire vertical y horizontal para asegurar una temperatura uniforme en todo el habitáculo.

Asegúrese que las puertas y ventanas estén bien cerradas.

En lo posible, vite abrir puertas y ventanas para mantener el aire frío en el interior del habitáculo.

Limpie el filtro de aire con regularidad.

Las obstrucciones en el filtro de aire reducen el flujo de aire y reduce los efectos de enfriamiento y deshumidificación. Límpielo al menos cada dos semanas.

Ventile el habitáculo ocasionalmente.

Como las ventanas permanecen cerradas, es buena idea abrirlas para ventilar el cuarto de vez en cuando.

Configure el ventilador a alta velocidad para lograr un enfriamiento rápido y eficaz.

Cuando la velocidad del ventilador sea alta, la unidad proporcionará su capacidad nominal de enfriamiento.

Función de auto-diagnóstico

Esta unidad tiene una prestación incorporada de diagnóstico de error. El LED (Ⓛ) de la unidad parpadeará en caso de avería del termistor.

Si experimentara estas condiciones, por favor, contacte con su técnico/distribuidor

LED (Ⓛ) de muestra de error	Punto de control
<p>(una vez)</p> <p>3 s 3 s 3 s</p>	<ul style="list-style-type: none"> • Termistor de temperatura ambiente interior abierto/cortocircuitado. • Termistor de temperatura de los conductos interiores abierto/cortocircuitado.

Consejos de solución de averías ¡Ahorre tiempo y dinero!

El aire acondicionado puede funcionar de forma poco normal cuando:

Problema	Causas probables	Qué hacer
El aire acondicionado o no se inicia	• El aire acondicionado está desenchufado.	• Asegúrese que el aire acondicionado esté enchufado completamente en la salida.
	• El fusible está fundido/el interruptor está activado.	• Compruebe el fusible/interruptor y sustituya el interruptor o reinicie el interruptor.
	• Caída de tensión.	• Si experimenta una caída de tensión, apague el modo de control. Cuando se restablezca la tensión, espere 3 minutos para reiniciar el aire acondicionado y evitar la desconexión de sobrecarga del compresor.
	• Alta tensión.	• Si la tensión fuera inusualmente muy alta o muy baja, el interruptor se desconectaría.
El aire acondicionado o no enfría como debería	• El flujo de aire está restringido.	• Asegúrese que no existen cortinas, persianas o mobiliario bloqueando la parte frontal del aire acondicionado.
	• El filtro de aire está sucio	• Limpie el filtro al menos cada 2 semanas. Consulte la sección Servicio y Mantenimiento.
	• El cuarto puede haber estado muy caliente.	• Al encender por primera vez el aire acondicionado, necesitará dejar pasar un tiempo hasta que el cuarto se enfríe.
	• El aire frío se escapa.	• Revise los registros de calor abierto y los retornos de aire frío.
	• Compruebe los ajustes de temperatura.	• Asegúrese de que sean correctos.
	• Puede existir otra fuente de calor en el cuarto.	• Compruebe la existencia y retire tal fuente, o desconéctela durante el uso del aire acondicionado.

ESPAÑOL

Solicite servicio inmediatamente en las siguientes circunstancias

1. Toda condición fuera de lo común, como el olor a quemado, ruidos, etc., debe incluir una desconexión de la unidad y del interruptor. No intente nunca reparar la unidad usted mismo, o reiniciar el sistema en tales casos.
2. El cable principal de alimentación está demasiado caliente o dañado.
3. Se genera un código de error mediante el auto-diagnóstico.
4. Fugas de agua en la unidad interior incluso con un nivel de humedad ínfimo.
5. Todos los interruptores (de seguridad, puesta a tierra) o fusibles sufren averías y, por ende, no funcionan correctamente.

El usuario debe realizar comprobaciones y labores de limpieza a fin de eliminar el riesgo de un mal funcionamiento.

ESPECIFICACIONES

220 V ~ 60 Hz Al ser un instructivo multimodelo le recomendamos verificar la etiqueta adherida en su producto.



Importado por:
LG ELECTRONICS PANAMA S.A.
Urb. Obarrio Calle 50 Torre Global Bank
Piso 20. Ciudad de Panama