



OWNER'S MANUAL

NEW TYPE CYCLONE

VACUUM CLEANER

This information contains important instructions for the safe use and maintenance of the vacuum cleaner. Especially, please read all of the information on page 4, 5 for your safety. Please keep this manual in an easily accessible place and refer to it anytime.

VB-2046****



MFL67101603

www.lg.com

Table of contents

Important safety instructions	4~5
--	------------

How to use

Assembling vacuum cleaner	6
Operating vacuum cleaner	8
Using carpet and floor nozzle/Suction Hole for device protection	9
Using carpet master nozzle and mini turbine nozzle	10
Using accessory nozzles	11
Emptying dust tank	12
Cleaning dust tank	13
Cleaning air filter and motor safety filter	14
Cleaning exhaust filter	15

What to do if your vacuum cleaner does not work	16
--	-----------

What to do when suction performance decreases	16
--	-----------

IMPORTANT SAFETY INSTRUCTIONS

Read and follow all instructions before using your vacuum cleaner to prevent the risk of fire, electric shock, personal injury, or damage when using the vacuum cleaner. This guide do not cover all possible conditions that may occur. Always contact your service agent or manufacturer about problems that you do not understand. This appliance complies with the following EC Directives : 2006/95/EC Low Voltage Directive 2004/108/EC EMC Directive.



This is the safety alert symbol.

This symbol alerts you to potential hazards that can kill or hurt you and others.

All safety messages will follow the safety alert symbol and either the word "WARNING" or "CAUTION."

These words mean:



WARNING

This symbol will alert you to hazards or unsafe practices which could cause serious bodily harm or death.



CAUTION

This symbol will alert you to hazards or unsafe practices which could cause bodily injury or property damage.



WARNING

- **Do not plug in if control switch is not in OFF position.**
Personal injury or product damage could result.
- **Keep children away and beware of obstructions when rewinding the cord to prevent personal injury**
The cord moves rapidly when rewinding.
- **Disconnect electrical supply before servicing or cleaning the unit or when cleaner is not in use.**
Failure to do so could result in electrical shock or personal injury.
- **Do not use vacuum cleaner to pick up anything that is burning or smoking such as cigarettes, or hot ashes.**
Doing so could result in death, fire or electrical shock.
- **Do not vacuum flammable or explosive substances such as gasoline, benzene, thinners, propane (liquids or gases).**
The fumes from these substances can create a fire hazard or explosion. Doing so could result in death or personal injury.
- **Do not handle plug or vacuum cleaner with wet hands.**
Doing so could result in death or electrical shock.
- **Do not unplug by pulling on cord.**
Doing so could result in product damage or electrical shock. To unplug, grasp the plug, not the cord.
- **Keep hair, loose clothing, fingers, and all parts of the body away from openings and moving parts.**
Failure to do so could result in electrical shock or personal injury.
- **Do not pull or carry by cord, use cord as a handle, close a door on cord, or pull cord around sharp edges or corners. Do not run vacuum cleaner over cord. Keep cord away from heated surfaces.**
Failure to do so could result in electrical shock or personal injury or fire or product damage.
- **The hose contains electrical wires. Do not use it if it is damaged, cut or punctured.**
Failure to do so could result in death, or electrical shock.
- **Do not allow to be used as toy. Close attention is necessary when used by or near children.**
Personal injury or product damage could result.
- **Do not use the vacuum cleaner if the power cord or plug is damaged or faulty.**
Personal injury or product damage could result. In these cases, contact LG Electronics Service Agent to avoid hazard.
- **Do not use vacuum cleaner if it has been under water.**
Personal injury or product damage could result. In these cases, contact LG Electronics Service Agent to avoid hazard.
- **Do not continue to vacuum if any parts appear missing or damaged.**
Personal injury or product damage could result. In these cases, contact LG Electronics Service Agent to avoid hazard.
- **Do not use an extension cord with this vacuum cleaner**
Fire hazard or product damage could result.
- **Using proper voltage.**
Using improper voltage may result in damage to the motor and possible injury to the user. Proper voltage is listed on the bottom of vacuum cleaner.
- **Turn off all controls before unplugging.**
Failure to do so could result in electrical shock or personal injury.
- **Do not change the plug in any way.**
Failure to do so could result in electrical shock or personal injury or product damage. Doing so result in death. If plug does not fit, contact a qualified electrician to install the proper outlet.
- **Repairs to electrical appliances may only be performed by qualified service engineers.**
Improper repairs may lead to serious hazards for the user.

IMPORTANT SAFETY INSTRUCTIONS

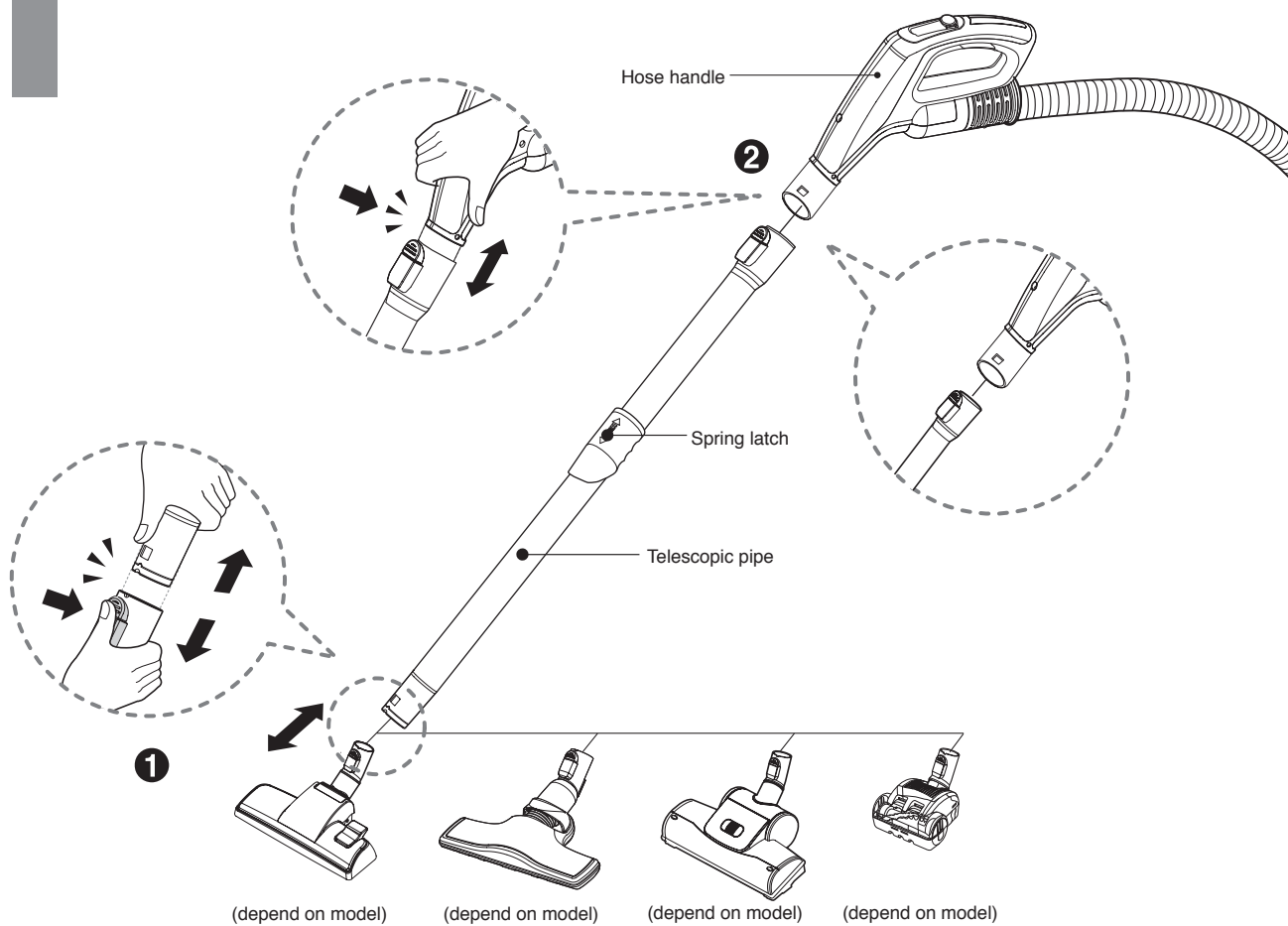
CAUTION

- **Do not put any objects into openings.**
Failure to do so could result in product damage.
- **Do not use with any opening blocked: keep free of dust, lint, hair, and anything that may reduce air flow.**
Failure to do so could result in product damage.
- **Do not use vacuum cleaner without dust tank and/or filters in place.**
Failure to do so could result in product damage.
- **Always clean the dust bin after vacuuming carpet cleaners or fresheners, powders and fine dust.**
These products clog the filters, reduce airflow and can cause damage to the cleaner. Failure to clean the dust bin could cause permanent damage to the cleaner.
- **Do not use vacuum cleaner to pick up sharp hard objects, small toys, pins, paper clips, etc.**
They may damage the cleaner or dust bin.
- **Store the vacuum cleaner indoors.**
Put the vacuum cleaner away after use to prevent tripping over it.
- **The vacuum cleaner is not intended to use by young children or infirm people without supervision.**
Failure to do so could result in personal injury or product damage.
- **Only use parts produced or recommended by LG Electronics Service Agents.**
Failure to do so could result in product damage.
- **Use only as described in this manual. Use only with LG recommended or approved attachments and accessories.**
Failure to do so could result in personal injury or product damage.
- **To avoid personal injury and to prevent the machine from falling when cleaning stairs, always place it at the bottom of stairs.**
Failure to do so could result in personal injury or product damage.
- **Use accessory nozzles in "MIN" mode.**
Failure to do so could result in product damage.
- **Don't grasp the tank handle when you are moving the vacuum cleaner.**
The vacuum cleaner's body may fall when separating tank and body. Personal injury or product damage could result. **You should grasp the carrier handle** when you are moving the vacuum cleaner.
- **If after emptying the dust tank the indicator light is on (red), clean the dust tank.**
Failure to do so could result in product damage.
- **Make sure the filters (exhaust filter and motor safety filter) are completely dry before replacing in the machine.**
Failure to do so could result in product damage.
- **Do not dry the filter in an oven or microwave.**
Failure to do so could result in fire hazard.
- **Do not dry the filter in a clothes dryer.**
Failure to do so could result in fire hazard.
- **Do not dry near an open flame.**
Failure to do so could result in fire hazard.
- **If the power cord is damaged, it must be replaced by an approved LG Electronics Service Agent to avoid a hazard.**
- **This appliance is not intended for use by persons (including children) with reduced physical, sensory or mental capabilities, or lack of experience and knowledge, unless they have been given supervision or instruction concerning use of the appliance by a person responsible for their safety.**
Children should be supervised to ensure that they do not play with the appliance.

Thermal protector :

This vacuum cleaner has a special thermostat that protects the vacuum cleaner in case of motor overheating. If the vacuum cleaner suddenly shuts off, turn off the switch and unplug the vacuum cleaner. Check the vacuum cleaner for possible source of overheating such as a full dust tank, a blocked hose or clogged filter. If these conditions are found, fix them and wait at least 30 minutes before attempting to use the vacuum cleaner. After the 30 minute period, plug the vacuum cleaner back in and turn on the switch. If the vacuum cleaner still does not run, contact a qualified electrician.

How to use Assembling vacuum cleaner

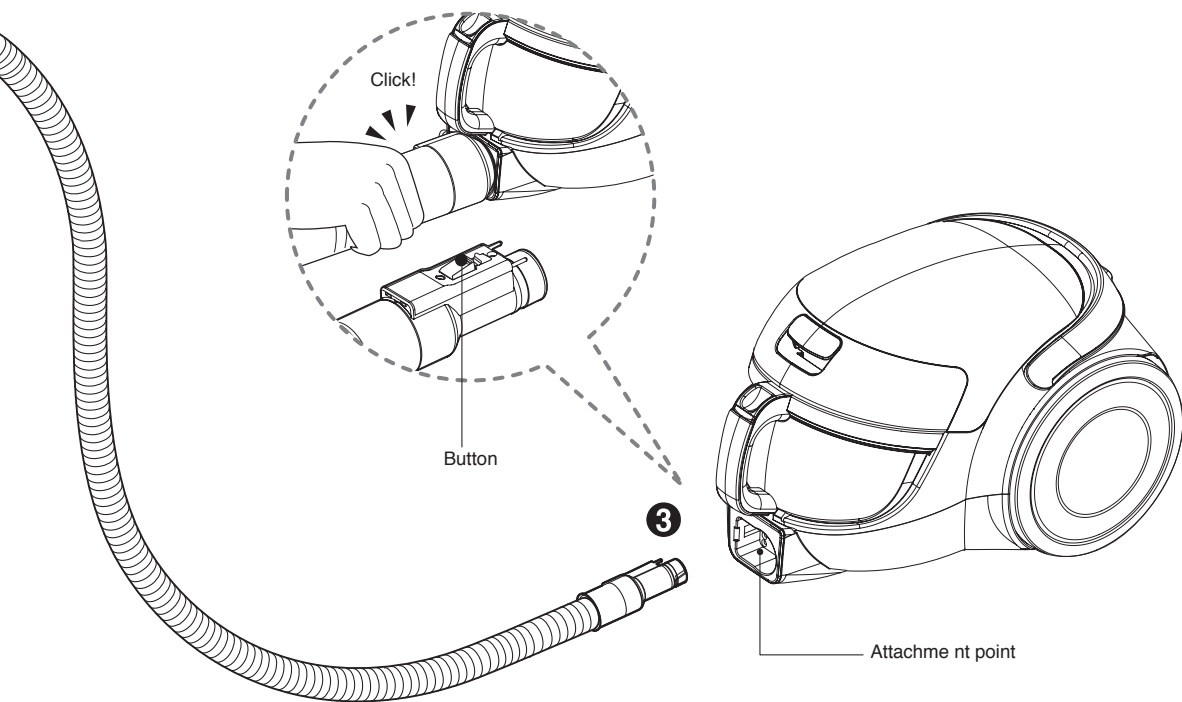


1 Carpet and floor nozzle

Push the nozzle into the telescopic pipe.

2 Telescopic pipe

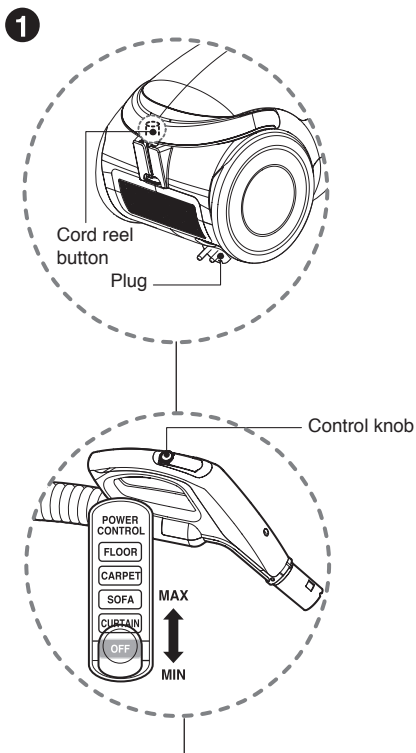
- Push telescopic pipe firmly into hose handle.
- Grasp the spring latch to expand.
- Pull out the pipe to desired length.



3 Connecting the hose to the vacuum cleaner

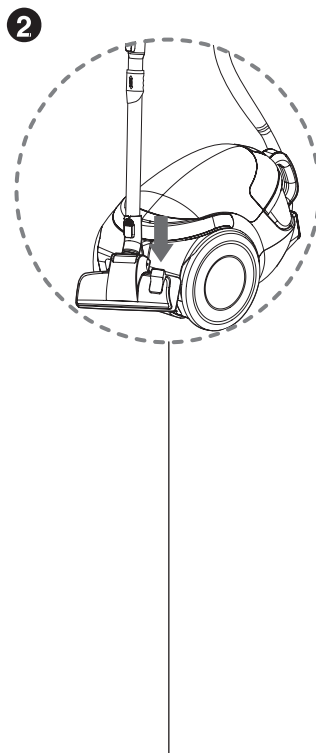
Push the fitting pipe on the flexible hose into the attachment point on the vacuum cleaner. To remove the flexible hose from the vacuum cleaner, press the button situated on the fitting pipe, then pull the fitting pipe out of the vacuum cleaner.

How to use Operating vacuum cleaner



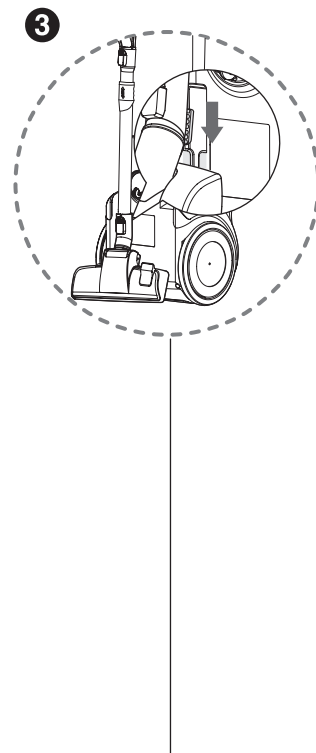
1 How to operate

- Pull out the power cord to the desired length and plug into the socket.
- Place the control knob of the hose handle to the required position.
- To turn off, slide control knob to OFF position.
- Press the cord reel button to rewind the power cord after use.



2 Park mode

- To store during vacuuming, for example to move a small piece of furniture or a rug, use park mode to support the flexible hose and nozzle.
 - Slide the hook on the nozzle into the slot on the side of vacuum cleaner.



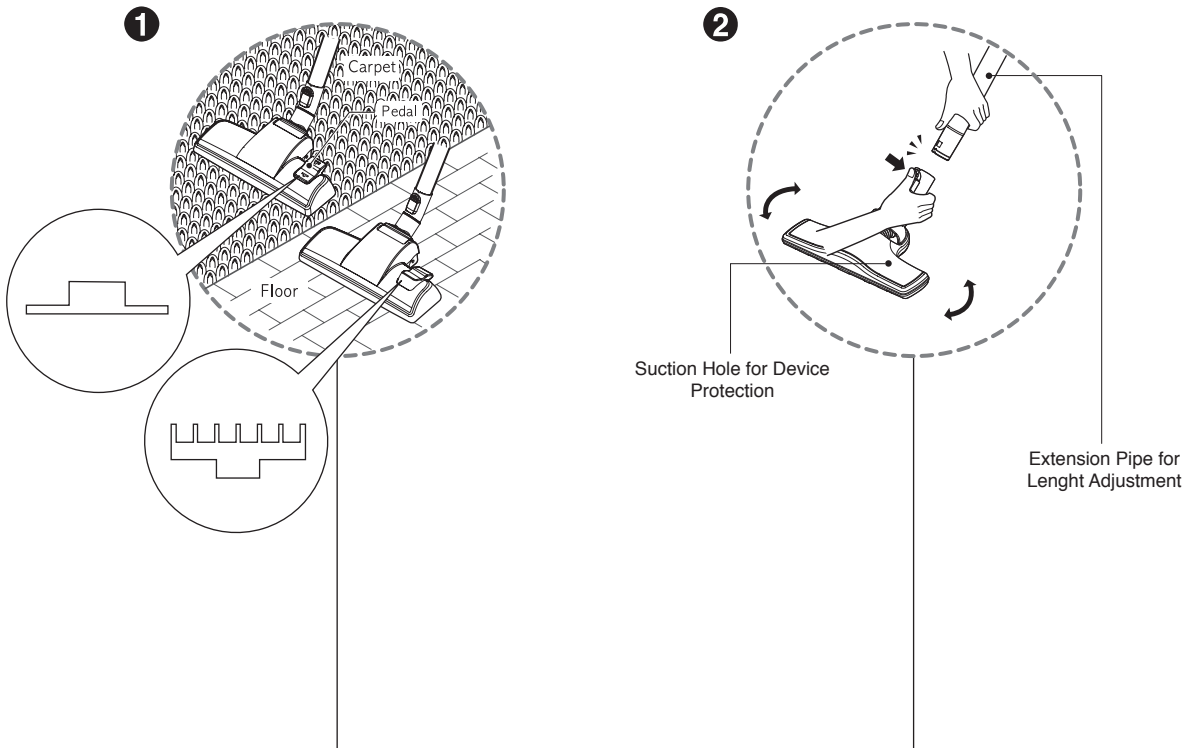
3 Storage

- When you have switched off and unplugged the vacuum cleaner, press the cord reel button to automatically rewind the cord.
- You can store your vacuum cleaner in a vertical position by sliding the hook on the nozzle into the slot on the underside of the vacuum cleaner.



WARNING

No liquid suction.
Liquid suction can cause defects.

How to use Using carpet and floor nozzle / Suction Hole for device protection



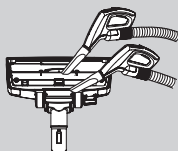
1 Carpet and floor nozzle(depend on model)

- **The 2 position nozzle**
This is equipped with a pedal which allows you to alter its position according to the type of floor to be cleaned.
- **Carpet or rug position**
Press the pedal () to lower brush.
- **Hard floor position** (tiles, parquets floor)
Press the pedal () to lift the brush up.

2 Suction hole for device protection

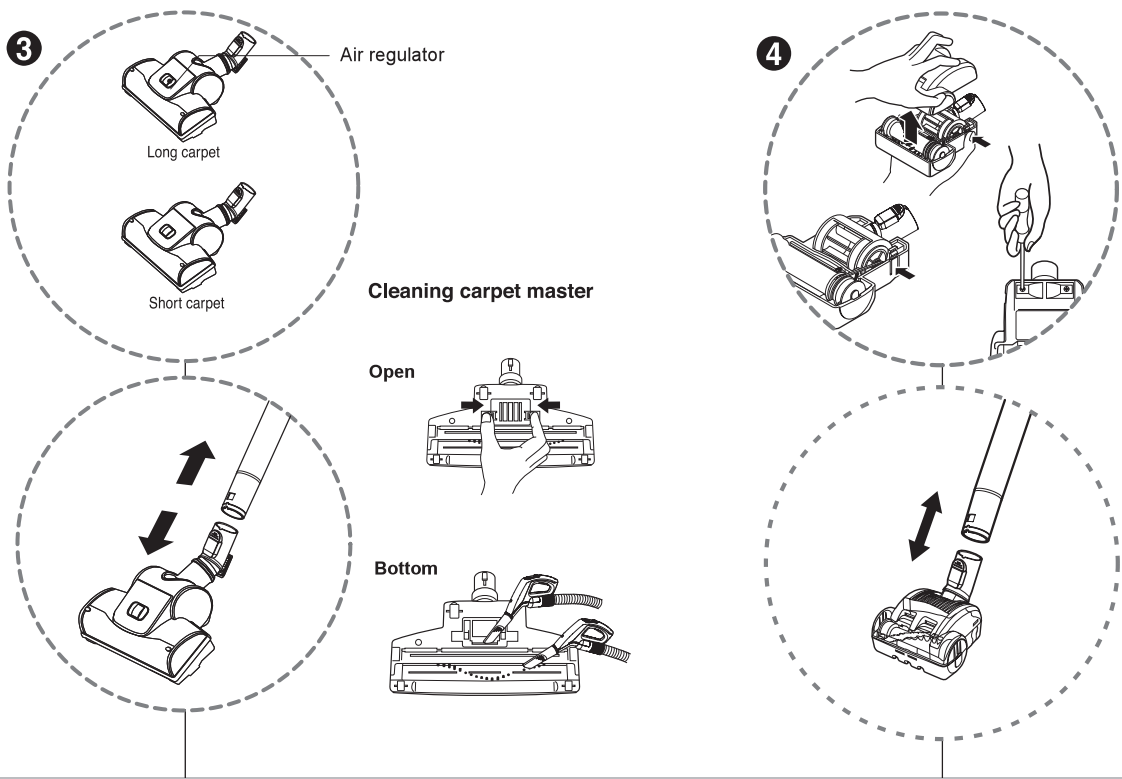
- You can perform cleaning at any place like corner or crevice since revolution of the suction hole is free.

• Cleaning carpet and floor nozzle



- Clean the hole and the brush of the nozzle.

How to use Using carpet master nozzle and mini turbine nozzle



3 Carpet master (depend on model)

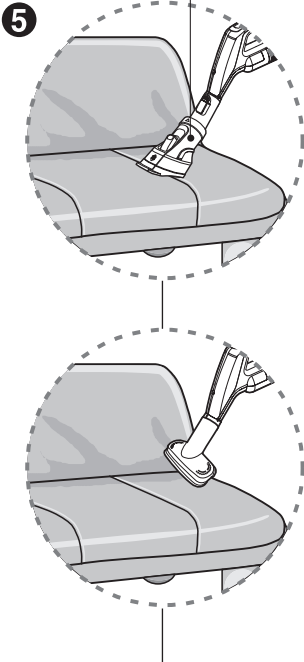
- **Cleaning turbine brush nozzle.**
- Press the button on the rear side of the nozzle to separate the air cover.
- Use the crevice tool to clean the brush and the fan.

4 Mini turbine nozzle (depend on model)

- Mini turbine is used for stairs and other hard-to-reach places.
- To clean the mini turbine nozzle, remove the nozzle cover :
Remove 2 screws on the bottom and take mini turbine nozzle cover off as shown.
- Frequently clean and remove hair, string, and lint build-up in the brush area. Failure to do so could damage to mini turbine nozzle.

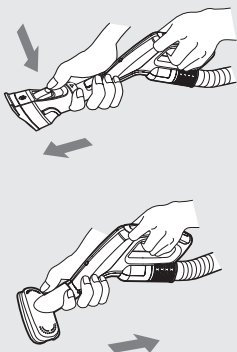
How to use Using accessory nozzles

Upholstery nozzle
(depend on model)

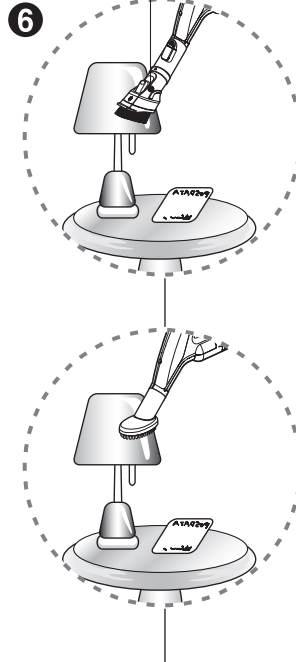


5 Upholstery nozzle

Upholstery nozzle is for vacuuming upholstery, mattresses, etc.

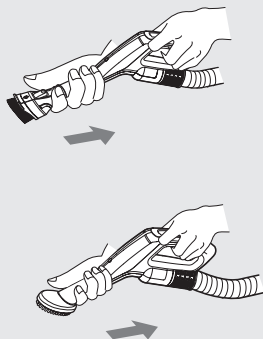


Dusting brush
(depend on model)

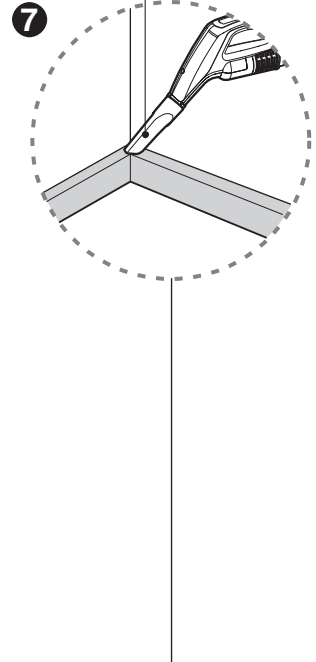


6 Dusting brush

Dusting brush is for vacuuming picture frames, furniture frames, books and other irregular surfaces.



Crevice tool

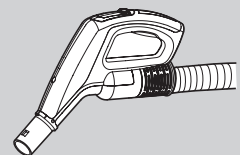


7 Crevice tool

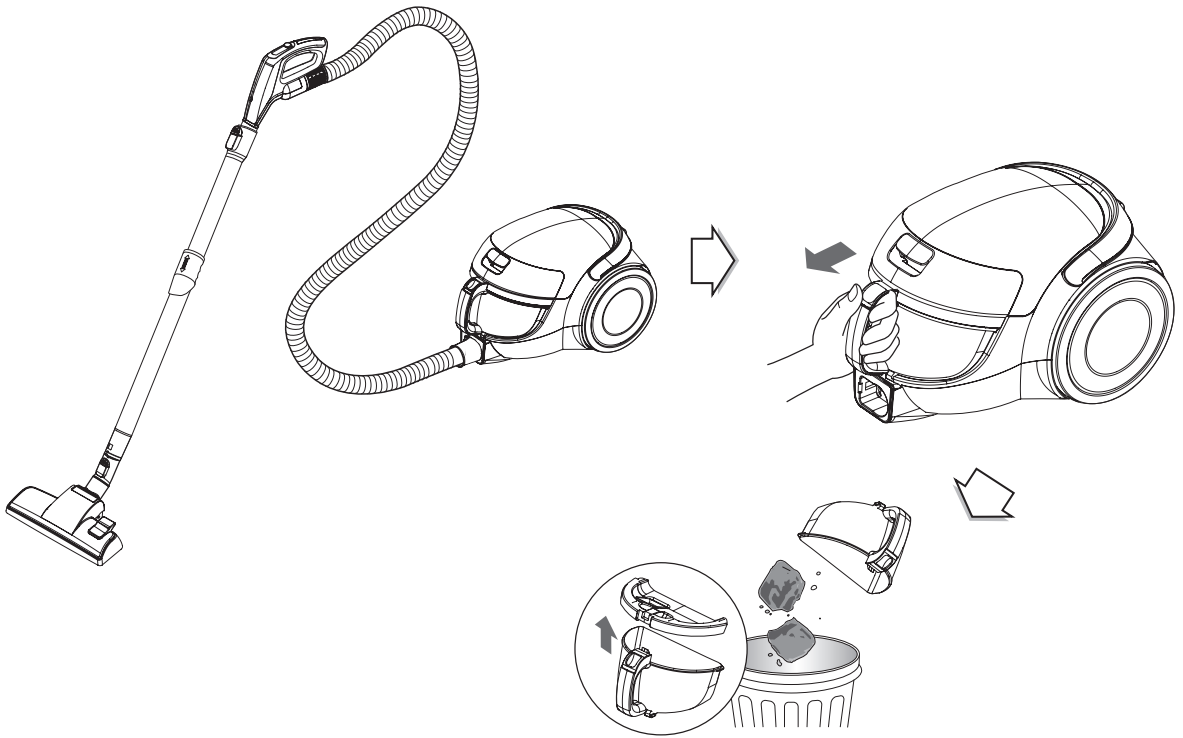
Crevice tool is for vacuuming in those normally hard-to-reach places such as reaching cobwebs, or between the cushions of a sofa.

NOTICE

Use accessory in the sofa mode



How to use Emptying dust tank



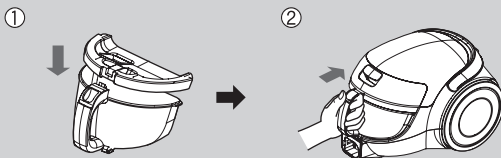
Cleaning the dust “tank”

- Grasp the handle of the tank and then press the tank separation button.
- Pull out the dust tank.
- Empty the tank and then assemble the dust tank as shown.

NOTICE

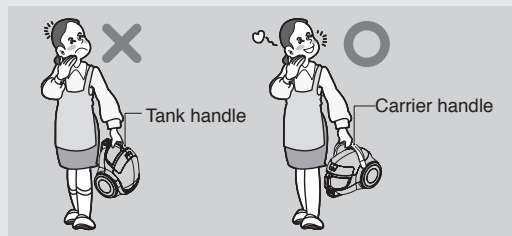
- If suction power decreases after emptying the dust tank, clean the dust tank → next page

Assembling the dust tank

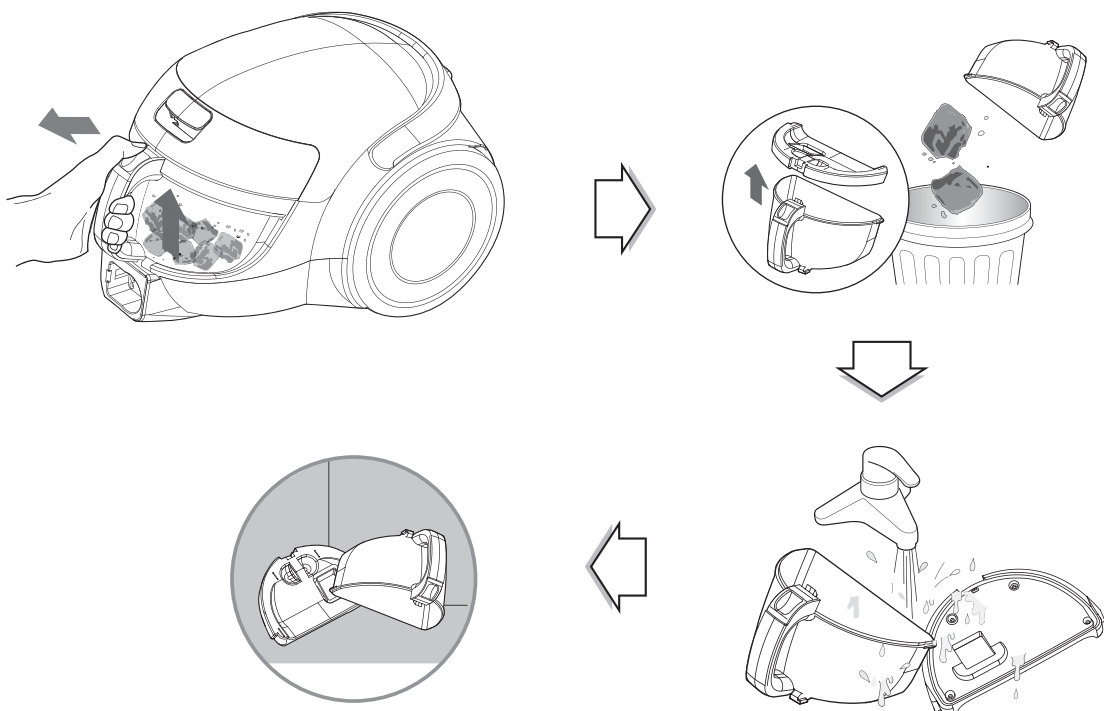


Moving the vacuum cleaner

- Don't grasp the tank handle when you are moving the vacuum cleaner. The vacuum cleaner's body may fall when separating tank and body. You should grasp the carrier handle when you are moving the vacuum cleaner.



How to use Cleaning dust tank

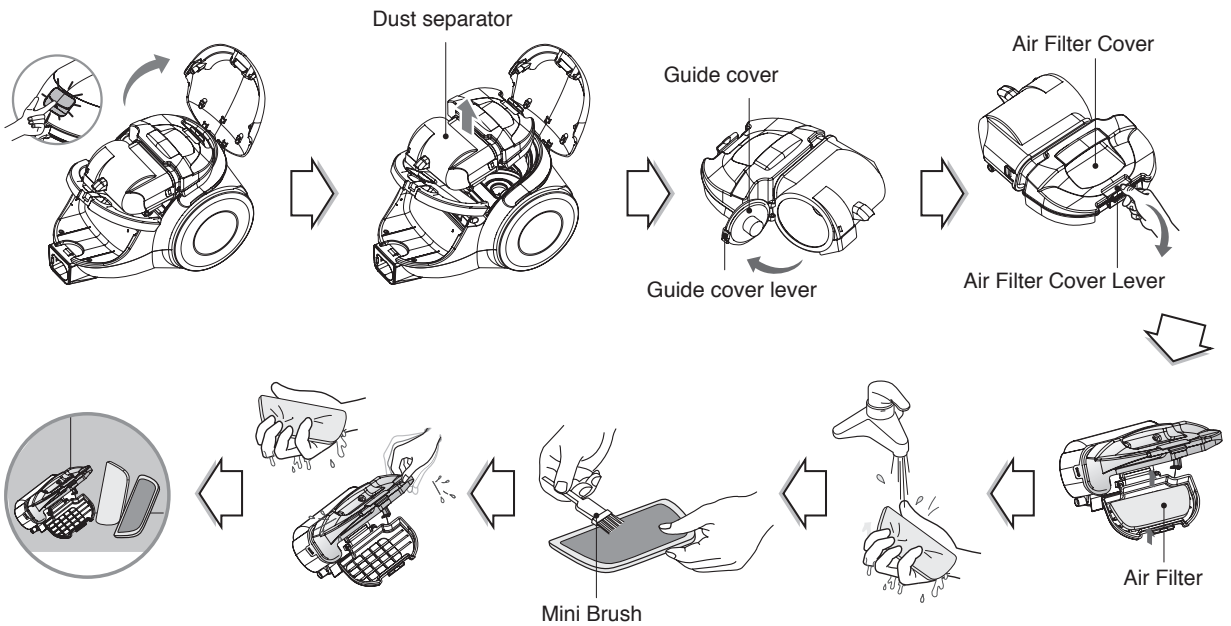


- Press tank separation button and pull out the dust tank.
- Raise the dust tank cap.
- Wash the dust tank.
- Dry fully in shade so that moisture is entirely removed.

NOTICE

If suction power decreases after cleaning the dust tank, clean the air filter and the motor safety filter. ➔ Next page

How to use Cleaning air filter and motor safety filter



If suction power decreases after cleaning the dust tank clean the air filter and the motor safety filter .

The air filter and the motor safety filter are located on the top of the vacuum cleaner as above the figure.

- Open the vacuum cleaner cover by pulling the button.
- Grasp the handle of the dust separator and take out it.
- Open the guide cover by pulling the guide cover lever and remove the dust.
- Open the air filter cover by pushing the air filter cover lever and take out the air filter.
- Separate the motor safety filter from the dust separator.
- Wash the air filter and the motor safety filter.
- Do not wash filters with hot water.
- Dry fully in shade so that moisture is entirely removed.
- The air filter and the motor safety filter should be cleaned as above the figure.

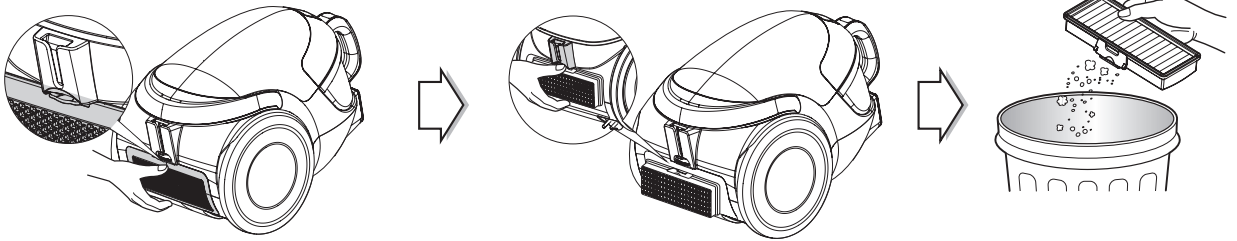
WARNING

Dry fully for more than 24 hours in shade.

NOTICE

If filters are damaged, do not use them. In this cases, contact LG Electronics Service Agent. Wash filters at least once a week.

How to use Cleaning exhaust filter



- The exhaust filter is a reusable HEPA filter.
- To change the exhaust filter, remove the filter cover on the body by release hook.
- Pull out the exhaust filter.
- Dust off filter. (Do not wash filter with water.)
- The exhaust filter should be cleaned at least once a year.

What to do if your vacuum cleaner does not work

Check that the vacuum cleaner is plugged in correctly and that the electrical socket is working.

What to do when suction power decreases

- Turn off the vacuum cleaner and unplug it.
- Check the telescopic pipe, flexible hose and cleaning tool for blockages or obstructions. Check that the dust tank is not full. Empty if necessary.
- Check that the exhaust filter is not clogged. Clean the exhaust filter if necessary.
- Check that the air filter and the motor safety filter are not clogged. Clean them if necessary.
- Check the inside of the dust separator. Clean the inside of the dust separator if necessary.



Disposal of your old appliance

1. When this crossed-out wheeled bin symbol is attached to a product it means the product is covered by the European Directive 2002/96/EC.
2. All electrical and electronic products should be disposed of separately from the municipal waste stream via designated collection facilities appointed by the government or the local authorities.
3. The correct disposal of your old appliance will help prevent potential negative consequences for the environment and human health.
4. For more detailed information about disposal of your old appliance, please contact your city office, waste disposal service or the shop where you purchased the product.

دفتريچه راهنمای جاروبرقی سایکلون جدید

هشدار: پیش از استفاده از دستگاه این دفتريچه راهنما را به دقت مطالعه کنید.
لطفاً تمامی اطلاعات مندرج در صفحات ۴، ۵ را با دقت مطالعه کنید.
این اطلاعات حاوی دستورالعمل‌های مهم ایمنی و نگهداری دستگاه است.
لطفاً این دفتريچه راهنما را در دسترس نگهدارید تا در آینده بتوانید به آن مراجعه کنید.

VB-2046****



دستورالعمل های مهم ایمنی ۴-۵

نحوه ی استفاده

- ۶ سرهم کردن جاروبرقی
- ۸ استفاده از جاروبرقی
- ۹ استفاده از نازل فرش و کف/ روزنه مکش برای محافظت دستگاه
- ۱۰ استفاده از نازل اصلی فرش/ نازل مینی توربین
- ۱۱ استفاده از نازل های جانبی
- ۱۲ تخلیه مخزن زباله
- ۱۳ تمیز کردن مخزن زباله
- ۱۴ تمیز کردن فیلتر هوا و فیلتر ایمنی موتور
- ۱۵ تمیز کردن فیلتر خروجی هوا
- ۱۶ اگر جاروبرقی کار نکرد چه باید کرد
- ۱۶ وقتی مکش ضعیف شد چه باید کرد

دستورالعمل های مهم ایمنی

پیش از استفاده از جاروبرقی جهت پیشگیری از خطر آتش سوزی، برق گرفتگی، آسیب جانی یا خرابی دستگاه در هنگام استفاده از آن، لطفاً تمامی دستورالعمل های زیر را مطالعه کرده و اجرا کنید. این راهنما تمامی شرایط احتمالی را پوشش نمی دهد. برای مشکلاتی که آنها را درک نمی کنید با مرکز خدمات مجاز تماس بگیرید. این دستگاه مطابق با قوانین EMC Directive : 2006/95/EC Low Voltage Directive 2004/108/EC است. EMC Directive است.

این علامت هشدار ایمنی است.

این علامت بیانگر خطرات بالقوه ای است که ممکن است باعث مرگ یا آسیب شما و دیگران شود. تمامی پیام های ایمنی به همراه با علامت هشدار ایمنی و در ادامه کلمات «اخطار» یا «هشدار» است. این دو عبارت به معنای :



این علامت به شما می گوید که احتمال خطر و موارد غیر ایمنی وجود دارد که می تواند باعث آسیب شدید جانی یا مرگ شود.

هشدار



این علامت بیانگر خطرات و شرایط غیرایمنی است که می تواند باعث آسیب جانی یا خسارت مالی شود.

اخطار



هشدار



- اگر زبانه کنترل بر روی OFF نیست، دوشاخه را به برق نزنید. منجر به آسیب جانی یا خرابی دستگاه می شود.
 - کودکان را دور نگه داشته و هنگام جمع کردن سیم مراقب موانع باشید.
 - سیم هنگام جمع شدن سرعت زیادی دارد.
 - هنگام تمیز کردن جاروبرقی یا زمانی که از آن استفاده نمی کنید دوشاخه آن را از پریز بیرون بکشید.
 - در غیر این صورت منجر به برق گرفتگی یا آسیب جانی می شود.
 - از جاروبرقی برای برداشتن موارد شعله ور یا دودزا نظیر سیگار یا خاکستر داغ استفاده نکنید.
 - این عمل منجر به مرگ، برق گرفتگی یا آتش سوزی می شود.
 - از جاروبرقی برای کشیدن مواد قابل انفجار یا قابل اشتعال نظیر گازوئیل، بنزین، تینر و غیره استفاده نکنید.
 - گاز ناشی از این مواد می تواند منجر به انفجار یا خطر آتش سوزی شود. در نتیجه احتمال مرگ یا آسیب جانی وجود دارد.
 - هرگز با دستان مرطوب جاروبرقی یا دوشاخه آن را لمس نکنید.
 - این عمل منجر به مرگ یا برق گرفتگی می شود.
 - برای کشیدن دو شاخه از پریز هرگز سیم را نکشید.
 - این عمل منجر به خرابی دستگاه یا برق گرفتگی می شود.
 - برای جدا کردن از پریز همواره دو شاخه را بگیرید.
 - همواره مو، خرده پارچه، انگشتان و سایر قسمت های بدن را از روزه های دستگاه و قطعات متحرک دور نگه دارید.
 - این عمل منجر به برق گرفتگی یا آسیب دستگاه می گردد.
 - هرگز برای حمل جاروبرقی از سیم آن استفاده نکنید و یا سیم آن را حول لبه های تیز نپیچانید. جاروبرقی را بر روی سیم آن قرار ندهید. سیم را از سطوح گرم دور نگه دارید.
 - در غیر این صورت منجر به برق گرفتگی و آسیب جانی و یا آتش سوزی یا خرابی دستگاه می شود.
 - شلنگ جاروبرقی دارای سیم است. در صورت خرابی، بریدگی و له شدگی از آن استفاده نکنید.
 - در غیر اینصورت منجر به مرگ یا شوک الکتریکی می گردد.
- هرگز اجازه ندهید از جاروبرقی به عنوان وسیله اسباب بازی استفاده شود. همواره توجه خاصی به جاروبرقی ای که در نزدیکی کودکان است، داشته باشید.
 - در غیر این صورت منجر به آسیب جانی یا خرابی دستگاه می شود.
 - در صورت آسیب دیدن سیم برق یا دوشاخه از آن استفاده نکنید. چرا که منجر به آسیب جانی و مالی می شود. در چنین مواقعی با مرکز خدمات مجاز تماس بگیرید.
 - در صورت خیس شدن جاروبرقی از آن استفاده نکنید.
 - در غیر این صورت منجر به آسیب جانی یا خرابی دستگاه می شود.
 - برای پیشگیری از خطر با سرویسکار مجاز خدمات گلدیران تماس بگیرید.
 - در صورت مفقود شدن یا معیوب شدن قطعات جاروبرقی از آن استفاده نکنید.
 - در غیر این صورت منجر به آسیب جانی یا خرابی دستگاه می شود.
 - برای پیشگیری از خطر با سرویسکار مجاز خدمات گلدیران تماس بگیرید.
 - هرگز از سیم سیار استفاده نکنید.
 - این عمل منجر به آتش سوزی یا خرابی دستگاه می شود.
 - از ولتاژ صحیح استفاده کنید.
 - استفاده از ولتاژ نامناسب منجر به خرابی موتور دستگاه یا آسیب فردی کاربر می شود. ولتاژ مناسب دستگاه در کف جاروبرقی ذکر شده است.
 - پیش از کشیدن دو شاخه جاروبرقی از پریز تمامی کلیدها را خاموش کنید.
 - در غیر این صورت منجر به برق گرفتگی یا آسیب جانی می شود.
 - از تعویض دوشاخه خودداری نمایید.
 - این عمل منجر به برق گرفتگی یا آسیب جانی و خرابی دستگاه می شود. اگر دو شاخه با پریز مطابقت ندارد برای نصب پریز مناسب با یک برق کار تماس بگیرید.
 - تعمیر وسایل برقی فقط باید توسط افراد مرکز خدمات مجاز انجام شود. تعمیرات غیرمجاز منجر به خطرات شدید جانی می گردد.

دستورالعمل های مهم ایمنی

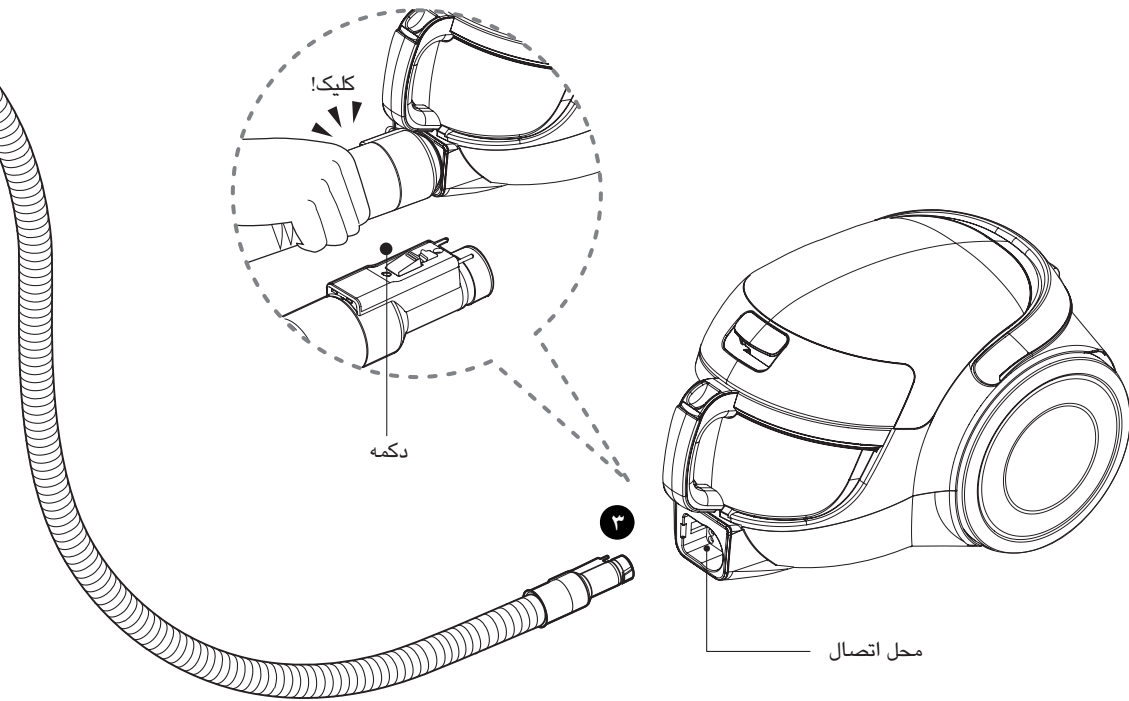
⚠️ اخطار

- از قرار دادن اشیاء در داخل روزنه ها خودداری کنید. این عمل منجر به خرابی دستگاه می شود.
- از مسدود کردن روزنه ها خودداری کنید: روزنه ها را از گرد و غبار، کرک، مو و هرچیزی که باعث کاهش فشار هوا می شود عاری کنید.
- در غیر این صورت منجر به خرابی دستگاه می شود.
- از استفاده جاروبرقی بدون مخزن یا فیلترها خودداری کنید. این عمل منجر به خرابی دستگاه می شود.
- پس از استفاده از جاروبرقی برای مواردی نظیر نرم کننده فرش شوینده فرش و غیره محفظه دستگاه را تمیز کنید.
- این مواد باعث انسداد فیلترها، کاهش فشار هوا شده و به دستگاه آسیب می رسانند. سهل انگاری در این مورد موجب خرابی می شود.
- از جاروبرقی برای برداشتن اشیاء تیز، اسباب بازی های کوچک، سوزن، سنجاق و غیره استفاده نکنید.
- این عمل منجر به خرابی دستگاه و مخزن می شود.
- جاروبرقی را در محیط داخل منزل نگهداری کنید.
- جاروبرقی را پس از هر بار استفاده به کناری قرار دهید تا در معرض ضربه نباشد.
- استفاده از این دستگاه برای افرادی (نظیر کودکان) که از توانایی فیزیکی محدودی برخوردارند، یا ناتوان هستند یا از تجربه کمی برخوردارند مجاز نیست مگر تحت نظارت افراد بالغ.
- نادرید گرفتن مورد فوق منجر به آسیب جانی یا مالی می گردد.
- فقط از قطعات توصیه شده یا تولید شده توسط مرکز خدمات مجاز ال جی استفاده کنید.
- در غیر این صورت منجر به خرابی دستگاه می شود.
- فقط به روش توصیه شده در این دفترچه از دستگاه استفاده کنید.
- فقط از متعلقات توصیه شده یا تایید شده توسط ال جی استفاده کنید.
- در غیر این صورت منجر به آسیب جانی یا خرابی دستگاه می شود.
- جهت پیشگیری از آسیب جانی افراد یا پیشگیری از افتادن جاروبرقی در هنگام تمیز کردن پله ها، همواره دستگاه را در پایین پلکان قرار دهید.
- در غیر این صورت منجر به آسیب جانی یا خرابی دستگاه می شود.

محافظ حرارتی :

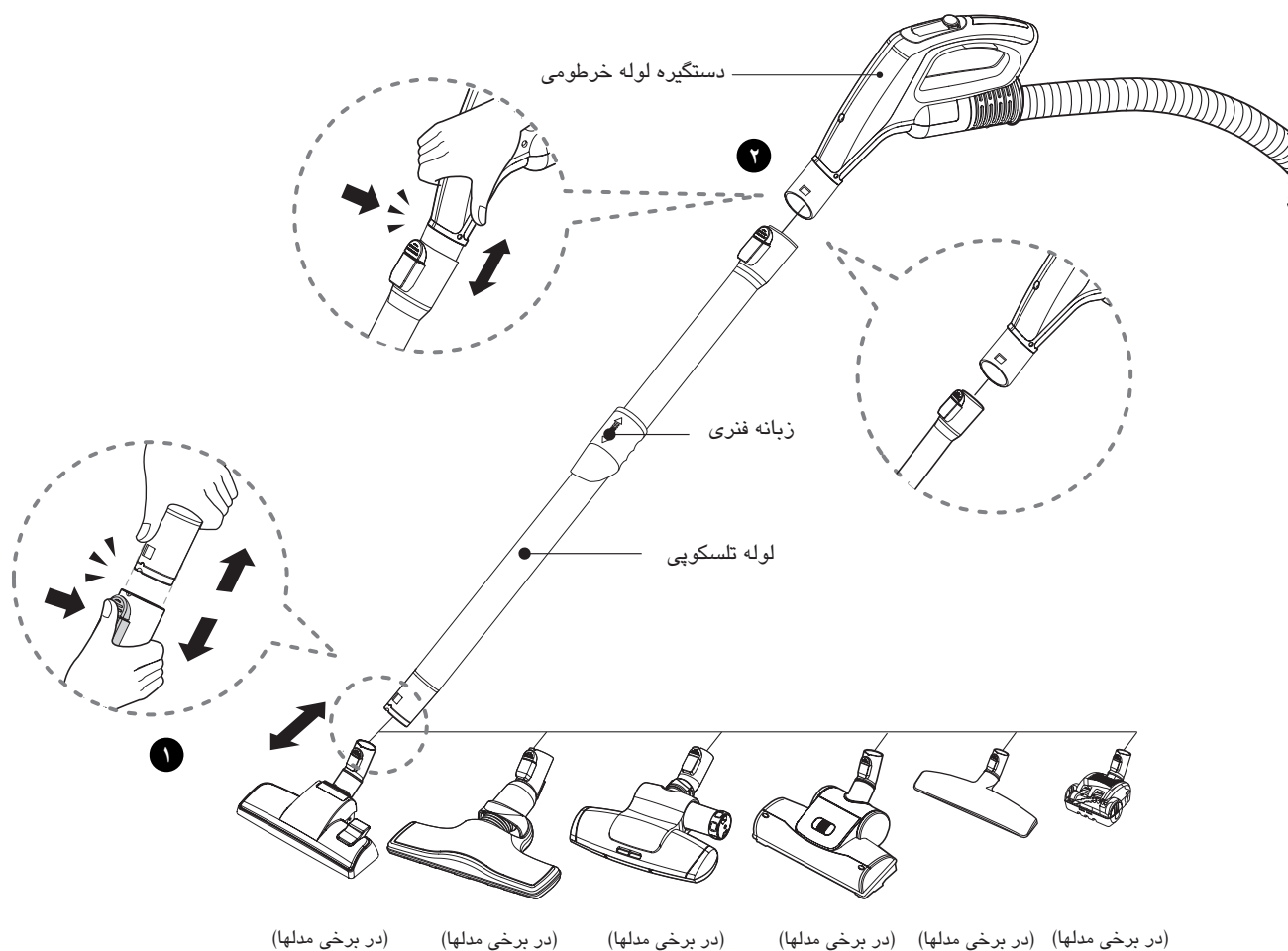
این جاروبرقی دارای یک ترموستات ویژه ای است که مانع از گرم شدن بیش از حد جاروبرقی می شود. چنانچه جاروبرقی به طور ناگهانی خاموش شود، کلید را خاموش کرده و دو شاخه را از پریز بیرون بکشید. مواردی از قبیل پر شدن مخزن، گرفتگی شلنگ یا انسداد فیلتر را که ممکن است باعث افزایش دمای جاروبرقی شوند، بررسی کنید. در صورت صحیح بودن موارد فوق، آنها را در محل خود قرار داده و قبل از روشن کردن دوباره حداقل مدت ۳۰ دقیقه صبر کنید. پس از ۳۰ دقیقه دو شاخه را به پریز متصل کرده و کلید را روشن کنید. اگر جاروبرقی باز هم کار نکرد با مرکز خدمات مجاز تماس بگیرید.

نحوه ی استفاده سرهم کردن جاروبرقی



۳ اتصال شلنگ به جاروبرقی

رابط لوله بر روی شلنگ را به محل اتصال جاروبرقی فشار دهید. برای درآوردن شلنگ از جاروبرقی، دکمه ی تعبیه شده بر روی لوله ی رابط را فشار دهید و سپس رابط لوله را از جاروبرقی بیرون بکشید.

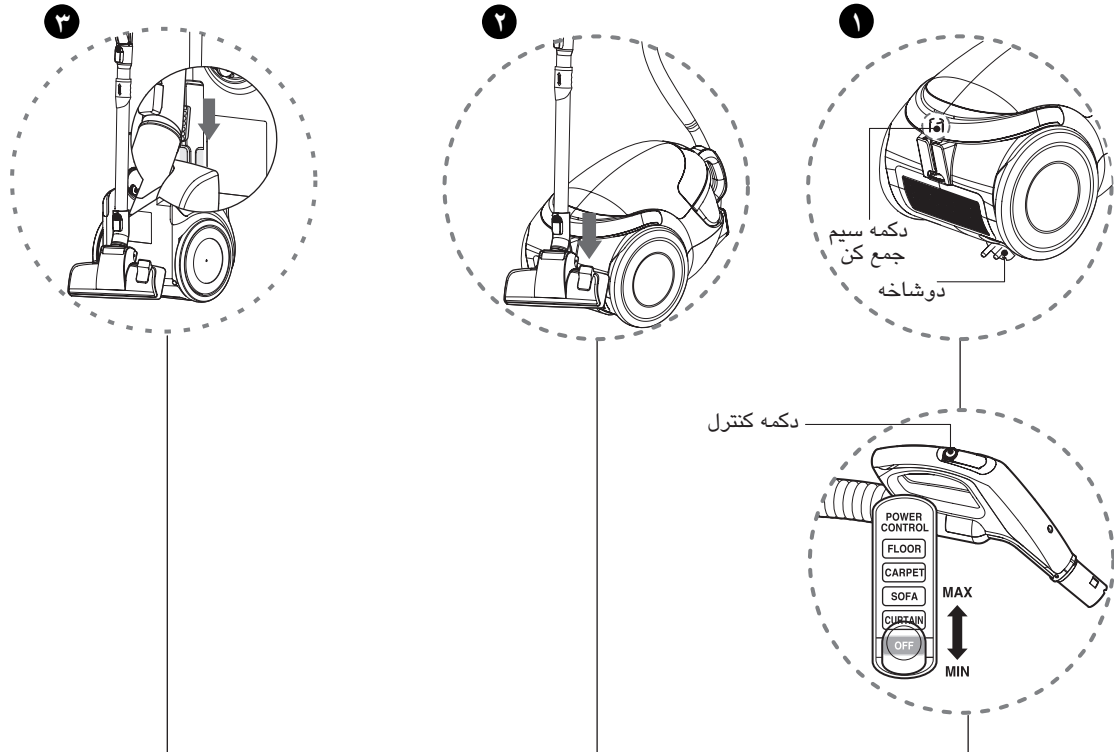


۲ لوله تلسکوپی

- لوله تلسکوپی را محکم به داخل دستگیره لوله خرطومی فشار دهید.
- زبانه فنری را برای باز شدن لوله فشار دهید.
- لوله را به میزان دلخواه بیرون بکشید.

۱ نازل فرش و کف زمین

- نازل را به داخل لوله تلسکوپی فشار دهید.



۱ نحوه ی استفاده

- کابل برق را به میزان دلخواه بیرون کشیده و سپس دوشاخه را به پریز متصل کنید.
- دکمه ی کنترل روی دستگیره شلنگ را در وضعیت دلخواه قرار دهید.
- برای خاموش کردن، دکمه ی کنترل را به وضعیت OFF ببرید.
- برای جمع کردن سیم پس از پایان کار، دکمه ی سیم جمع کن را فشار دهید.

۲ حالت پارک

- برای توقف موقت در حین استفاده از جارو برقی، برای مثال جابجا کردن اشیاء کوچک یا فرش برای نگهداشتن شلنگ و نازل از حالت پارک استفاده کنید.
- - قلاب روی نازل را به شیار واقع در کنار جاروبرقی بکشید.

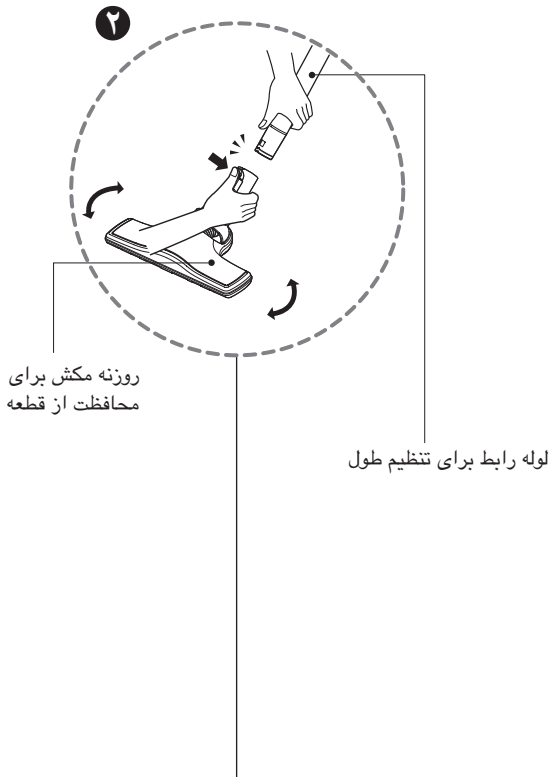
۳ نگهداری

- وقتی دستگاه را خاموش و دو شاخه را از پریز بیرون می کشید دکمه ی سیم جمع کن را فشار دهید تا سیم به طور خودکار جمع شود.
- شما می توانید جاروبرقی را در حالت عمودی نگهدارید، برای این کار قلاب روی نازل را به داخل شیار زیر جاروبرقی بکشید.

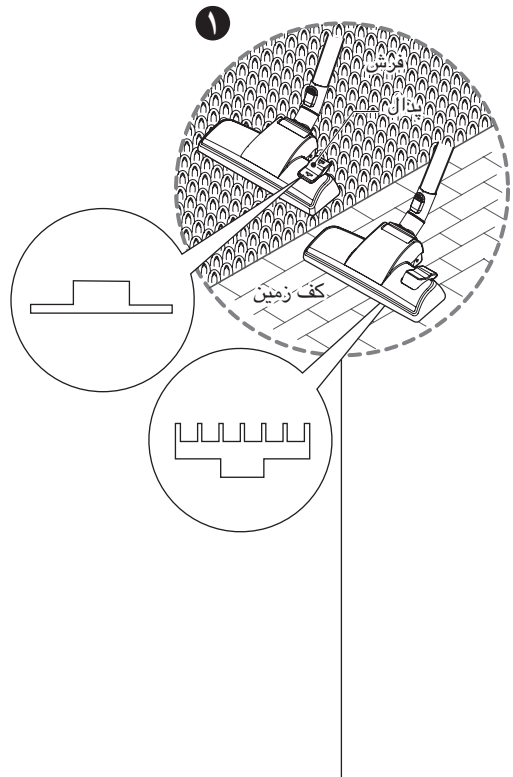
⚠ هشدار

عدم مکش مایعات.
مکش مایعات می تواند باعث خرابی شود.

نحوه ی استفاده از نازل فرش و کف / روزنه مکش برای محافظت دستگاه



۲ روزنه مکش برای محافظت دستگاه



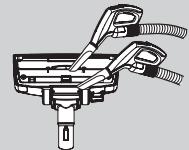
۱ نازل فرش و کفپوش (در برخی مدلها)

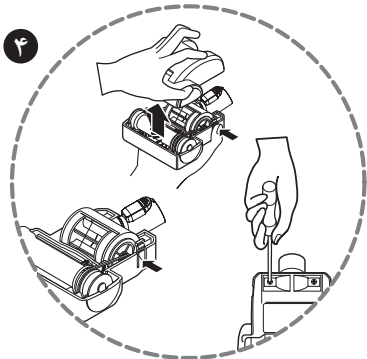
• شما می توانید هر جایی نظیر گوشه یا درز را تمیز کنید چرا که قابلیت روزنه ی مکش را در اختیار دارید.

- نازل دو حالت
- این نازل مجهز به پدالی است که به شما امکان می دهد بر حسب نوع کف محل، وضعیت را تغییر دهید.
- حالت فرش یا قالیچه
- پدال (—) را فشار دهید تا برس پایین برود.
- حالت سطح سخت (کاشی، پارکت)
- برای بالا رفتن برس، پدال (۳۳۳۳) را فشار دهید.

• نازل تمیز کننده فرش و کف

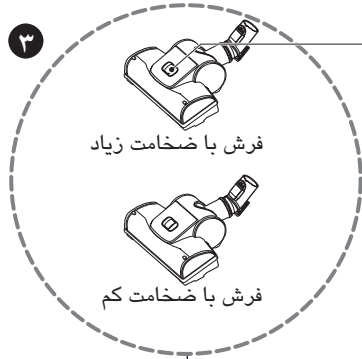
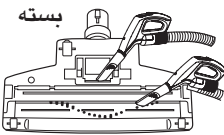
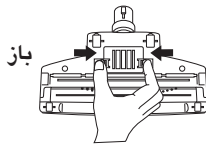
- روزنه و برس نازل را تمیز کنید.





۴

تمیز کردن نازل اصلی فرش

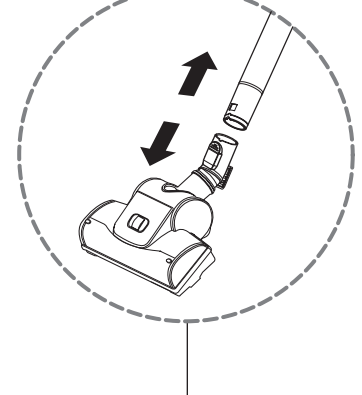
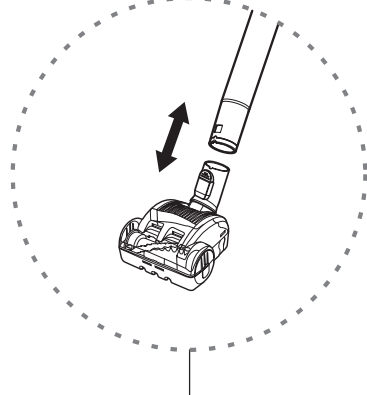


۳

رگولاتور هوا

فرش با ضخامت زیاد

فرش با ضخامت کم



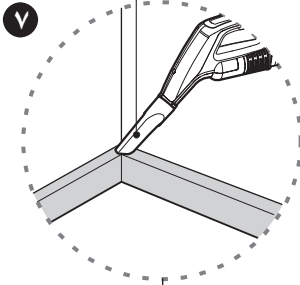
۴ نازل مینی توربین (در برخی مدلها)

۳ نازل اصلی فرش (در برخی مدلها)

- مینی توربین برای پله ها و سایر محل های دشوار به کار می رود.
- برای تمیز کردن نازل مینی توربین، درپوش نازل را درآورید: ۲ پیچ کف را باز کرده و مطابق شکل درپوش نازل مینی توربین را درآورید.
- ناحیه برس نازل را به طور مرتب تمیز کرده و مو، نخ و کرک تجمع یافته در محل را جدا کنید. در غیر اینصورت نازل مینی توربین آسیب خواهد دید.

- نازل تمیز کننده مدور
- برای جدا شدن درپوش هوا، دکمه پشت نازل را فشار دهید.
- برای تمیز کردن برس و فن از ابزار شکاف استفاده کنید.

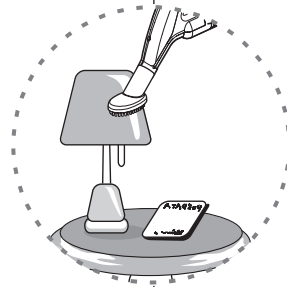
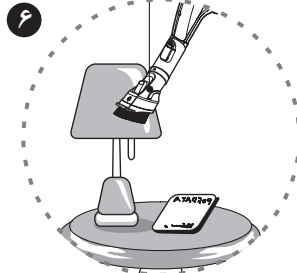
نازل باریک



۷ ابزار شکاف

ابزار شکاف برای تمیز کردن محل های دور از دسترس نظیر کنج سقف و لابلای کاناپه مناسب است.

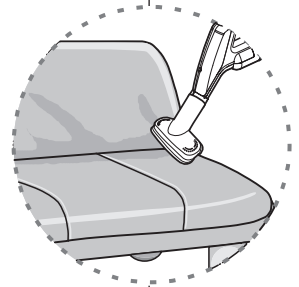
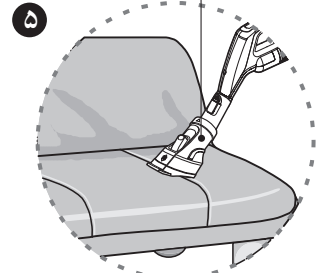
برس گردگیر
(در برخی مدلها)



۶ برس گردگیر

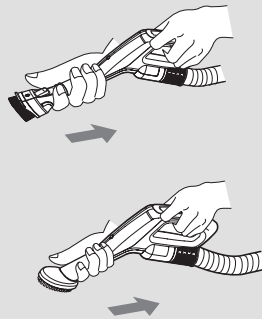
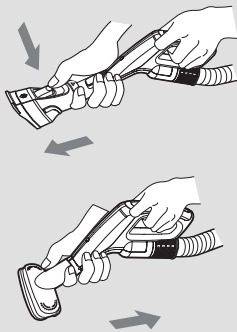
برس گردگیر برای تمیز کردن قاب عکس، چهارچوب مبلمان، کتاب ها و سایر سطوح ناهموار می باشد.

نازل مبیل
(در برخی مدلها)



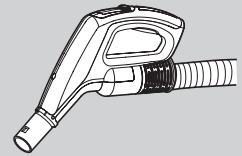
۵ نازل مبیل

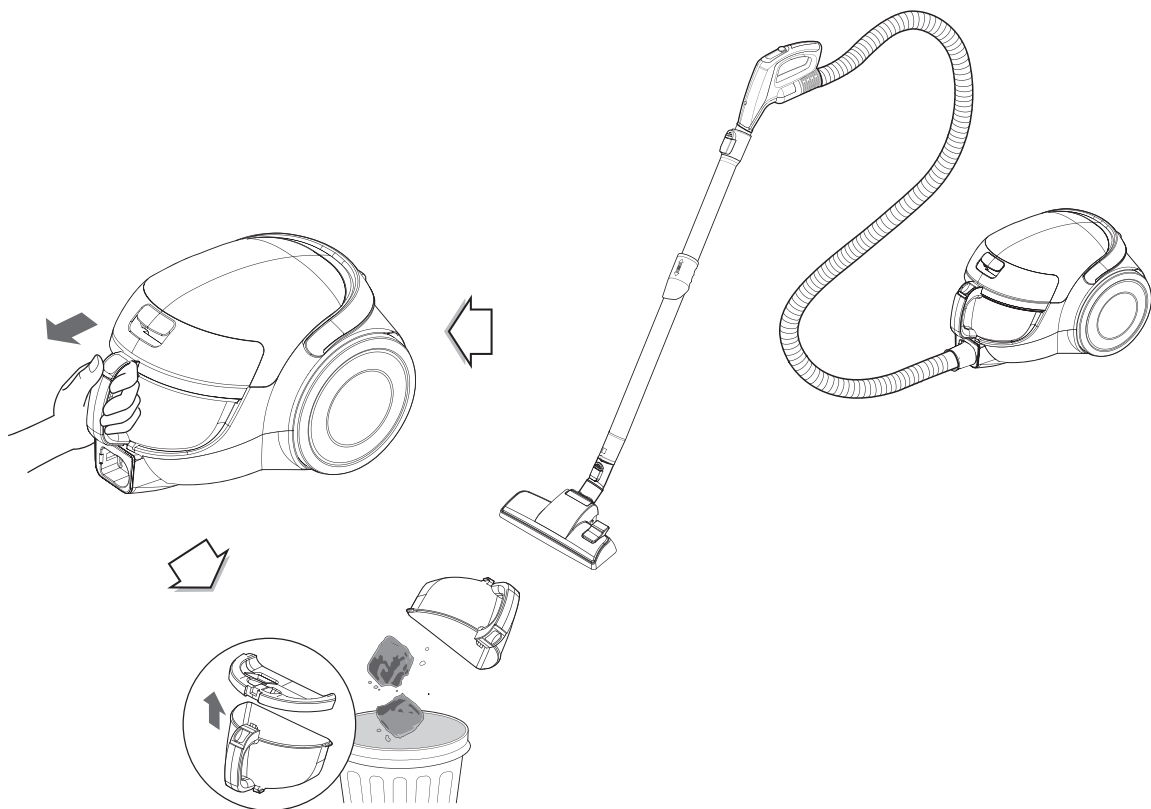
نازل مبیل برای تمیز کردن مبیل، تشک و غیره می باشد.



توجه

از این متعلقات در حالت SOFA استفاده کنید.





توجه

- در صورت کاهش قدرت مکش پس از تخلیه مخزن، آن را مطابق صفحه بعد تمیز کنید.

حمل جاروبرقی

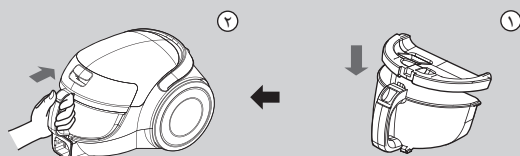
- هنگام حمل، دستگاه را از دستگیره مخزن نگیرید. چرا که با جدا شدن مخزن از بدنه، بدنه دستگاه به زمین خواهد افتاد. برای حمل، باید آن را از دستگیره حامل بگیرید.



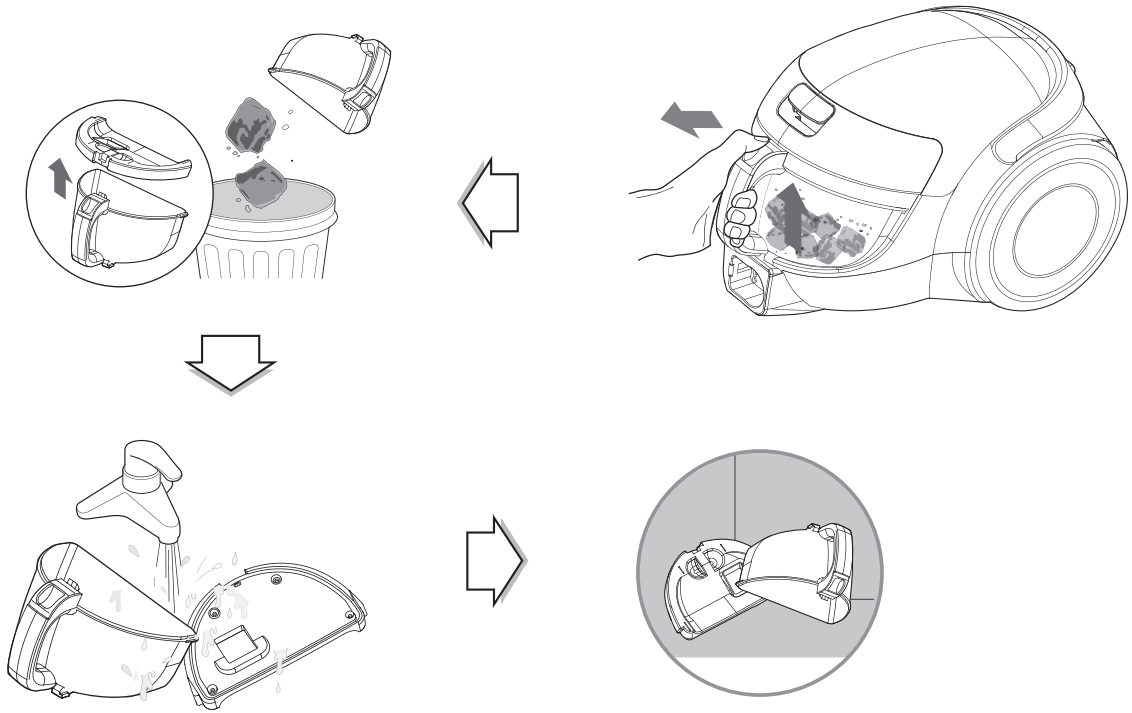
تمیز کردن مخزن

- دستگیره مخزن را گرفته و سپس دکمه جداسازی مخزن را فشار دهید.
- مخزن را بیرون بکشید.
- مخزن را تخلیه کرده و مطابق شکل آن را سوار کنید.

سوار کردن مخزن گرد و خاک



نحوه ی استفاده تمیز کردن محفظه گرد و خاک



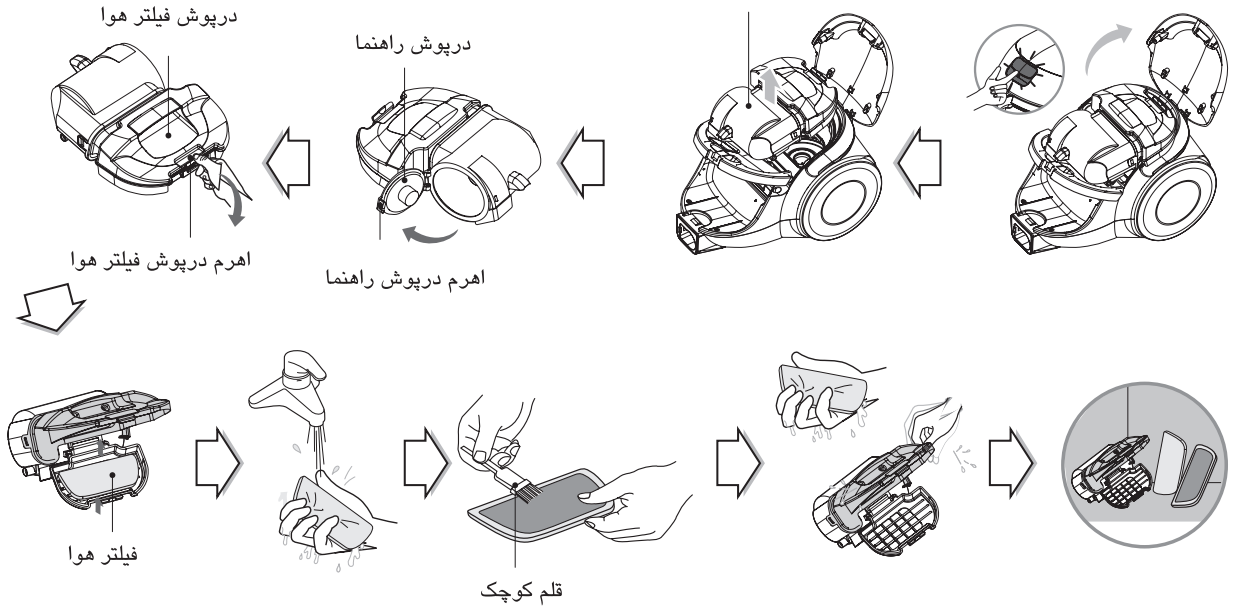
توجه

در صورت کاهش قدرت مکش پس از تمیز کردن مخزن گرد و خاک، فیلتر هوا و فیلتر ایمنی موتور را مطابق صفحه بعد تمیز کنید.

- دکمه جداسازی مخزن را فشار داده و مخزن را بیرون بکشید.
- درپوش مخزن گرد و خاک را بردارید.
- مخزن گرد و خاک را بشویید.
- آن را در سایه به طور کامل خشک کنید تا رطوبت به طور کامل از بین برود.

نحوه ی استفاده تمیز کردن فیلتر هوا و فیلتر ایمنی موتور

جداکننده گرد و خاک



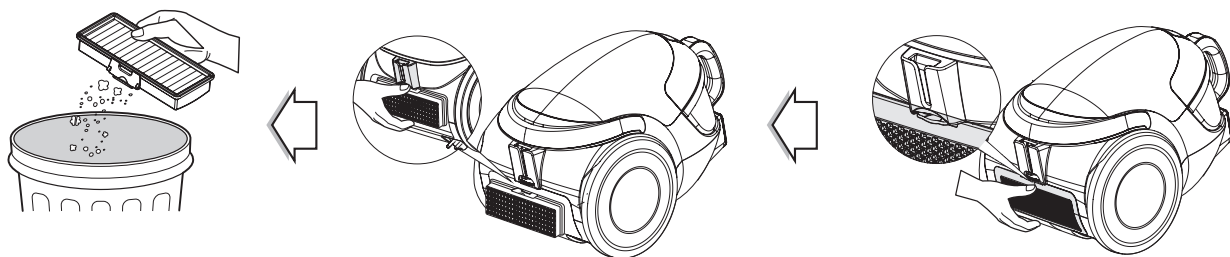
⚠ هشدار

بیش از ۲۴ ساعت در سایه به طور کامل خشک کنید.

توجه

در صورت خراب شدن فیلترها از آنها استفاده نکنید.
در چنین مواقعی، با مرکز خدمات مجاز گلدیران تماس بگیرید.
فیلترها را حداقل هر ۳ ماه یکبار بشویید.

- چنانچه پس از تمیز کردن مخزن، قدرت مکش کم شد
- فیلتر هوا و فیلتر ایمنی موتور را تمیز کنید.
- فیلتر هوا و فیلتر ایمنی موتور در بالای دستگاه قرار دارند.
- با کشیدن دکمه، درپوش بدنه را باز کنید.
- دستگیره جدا کننده گرد و غبار را گرفته و به طرف بالا بکشید.
- اهرم درپوش راهنما را کشیده و درپوش راهنما را باز کنید و گرد و خاک را پاک کنید.
- با فشار اهرم درپوش فیلتر هوا، درپوش فیلتر هوا را باز کنید و فیلتر هوا را درآورید.
- فیلتر ایمنی موتور را از تفکیک کننده گرد و غبار جدا کنید.
- فیلتر هوا و فیلتر ایمنی موتور را با آب بشویید.
- فیلترها را با آب گرم نشویید.
- آنها را در سایه خشک کنید تا رطوبت به طور کامل از بین برود.
- فیلتر هوا و فیلتر ایمنی موتور فقط در شرایط بالا باید شسته شوند.



- فیلتر خروجی هوا عبارت است از یک فیلتر HEPA قابل استفاده ی مجدد.
- برای تمیز کردن فیلتر خروجی هوا، قاب فیلتر روی بدنه را بیرون کشیده و فیلتر را درآورید.
- فیلتر خروجی هوا را جدا کنید.
- گرد و غبار آن را بزدابید. (فیلتر را با آب نشویید)
- فیلتر خروجی هوا حداقل باید یک بار در سال تمیز شود.

اگر جاروبرقی کار نکرد چکار کنیم

ببینید آیا دوشاخه به درستی در پریز قرار گرفته است، آیا در پریز برق جریان دارد.

هنگام کم شدن قدرت مکش چه کار کنیم

- جاروبرقی را خاموش کرده و دوشاخه را از پریز بیرون بکشید.
- لوله تلسکوپی، شلنگ جاروبرقی را بررسی کرده و در صورت گرفتگی یا وجود اشیاء آن ها را رفع کنید.
- از پر نبودن مخزن اطمینان حاصل کنید. در صورت لزوم آن را تخلیه کنید.
- از عدم انسداد فیلتر خروجی هوا اطمینان حاصل کنید. در صورت نیاز فیلتر خروجی هوا را تمیز کنید.
- ببینید فیلتر هوا و فیلتر ایمنی موتور مسدود نشده است. در صورت لزوم فیلتر هوا را تمیز کنید.
- داخل قسمت تفکیک کننده گرد و غبار را بررسی کنید. در صورت لزوم این قسمت را تمیز کنید.

معدوم نمودن وسایل قدیمی

۱. وقتی که علامت ضربدر بر روی سطل زباله چرخدار باشد بدان معناست که آن محصول تحت پوشش قوانین European Directive 2002/96/EC است.
۲. تمامی محصولات برقی و الکترونیکی باید جدا از زباله های شهری معدوم شوند. این محصولات توسط دولت یا شهرداری ها باید جمع آوری شوند.
۳. معدوم نمودن صحیح وسایل قدیمی به پیشگیری از آلودگی محیط زیست و سلامتی انسان کمک می کند.
۴. برای جزئیات بیشتر پیرامون معدوم نمودن وسایل قدیمی لطفا با شهرداری منطقه، سازمان بازیافت یا فروشگاه‌های که محصول را از آنجا خریداری نموده اید تماس بگیرید.



فهرست نمایندگان لوازم خانگی شرکت خدمات گلدیران

کد نماینده	شهر	تلفن
۲۰۸۰۲	مراغه	۲۲۲۰۰۶۶-۲۲۲۸۵۲۷
۲۰۸۰۳	میانه	۲۲۲۲۰۲۲-۲۲۲۳۶۷۹
۲۰۸۰۴	تبریز	۳۳۰۴۷۸۹
۲۰۸۰۶	عجبشیر	۶۲۲۳۸۱۵-۶۲۲۹۹۴۹
۲۰۸۰۷	آذرشهر	۴۲۲۳۸۸۲
۲۰۸۰۸	هادی شهر	۳۰۴۲۵۹۶
۲۰۸۰۹	ملکان	۸۲۲۳۶۶۵
۲۰۸۱۲	مراغه	۲۲۲۹۲۴۱
۲۰۸۱۷	بناب	۷۲۲۰۲۴۰
۲۰۸۱۸	شمیستر	۲۲۲۰۲۰۲
۲۰۹۰۱	ارومیه	۲۲۴۰۹۲۰-۲۲۲۰۲۵۰
۲۰۹۰۳	مهاباد	۲۲۲۵۱۴۵
۲۰۹۰۵	سلماس	۵۲۲۳۷۵۸
۲۰۹۰۷	میاندوآب	۲۲۲۳۶۲۱
۲۰۹۰۸	ماکو	۲۲۲۵۹۰۰
۲۰۹۰۹	ارومیه	۲۸۴۲۱۷۰-۲۸۴۲۴۹۳
۲۰۹۱۰	شاهین دژ	۳۲۲۲۱۲۳
۲۰۹۱۱	نقده	۶۲۶۰۶۳۴
۲۰۸۱۳	تبریز	۵۴۰۲۳۳۶-۵۴۰۶۲۸۴-۵۴۲۲۵۲۲
۲۰۸۱۴	مرند	۲۲۲۱۲۲۳-۲۲۶۳۰۱۳
۲۰۸۱۵	اهر	۳۲۲۳۴۴۴
۲۰۸۱۶	سراب	۲۲۲۳۶۷۰
۲۰۸۱۹	خسروشهر	۲۶۶۳۷۵۰
۲۰۹۰۴	بوکان	۶۲۲۳۸۵۲-۶۲۲۳۸۵۳-۶۲۲۳۶۲۰
۲۰۹۱۳	پیرانشهر	۴۲۲۹۹۱۸
۲۰۹۱۴	خوی	۲۴۴۴۵۰۸
۲۰۹۱۵	قره ضیاءالدین	۲۷۲۶۶۸۶
۲۰۹۱۶	نقده	۶۲۲۱۳۲۲
۲۰۹۱۷	تکاب	۵۲۲۴۳۱۰
۲۰۹۱۸	ارومیه	۳۴۴۰۱۲۳
۲۲۲۰۱	اردبیل	۶۶۱۷۸۱۴-۶۶۱۸۰۰۱
۲۲۲۰۲	پارس آباد مغان	۷۲۲۰۰۰۱
۲۲۲۰۳	خلخال	۴۲۲۱۴۲۰
۲۲۲۰۴	مشکین شهر	۵۲۲۹۱۱۸-۵۲۴۰۸۸۸
۲۰۳۰۱	اصفهان	۶۲۲۳۶۶۲-۶۲۸۰۲۵۶-۶۲۲۳۶۶۲
۲۰۳۰۵	خمینی شهر	۳۶۵۲۸۴۴
۲۰۳۰۶	میارکه	۵۲۲۵۰۰۰
۲۰۳۰۷	گلپایگان	۳۲۲۸۹۹۱
۲۰۳۰۸	داران	۴۲۲۲۲۲۲
۲۰۳۰۹	کاشان	۴۲۲۳۰۰۰-۴۴۶۷۵۰۰
۲۰۳۱۰	شهرضا	۲۲۲۲۱۲۰
۲۰۳۱۲	شاهین شهر	۵۲۲۹۹۹۳
۲۰۳۱۳	نطنز	۴۲۲۴۲۷۸
۲۰۳۱۴	گلپایگان	۳۲۲۴۳۰۹
۲۰۳۱۵	کاشان	۴۳۷۱۱۹۰
۲۰۳۱۶	نجف آباد	۲۶۲۷۸۳۲
۲۰۳۱۷	اصفهان	۲۲۵۸۷۵۱-۲۲۶۲۲۷۹
۲۰۳۱۸	نائین	۲۲۵۱۳۳۷
۲۰۱۲۹	هشتگرد	۱۶۹۵۸۶۰۰
۲۰۱۳۱	کرج	۴۴۲۵۶۶۷
۲۰۱۳۳	اشتهارد	۷۷۲۳۴۹۰
۲۰۱۳۴	کرج	۶۶۴۷۵۵۱
۵۰۱۸۶	کرج	۴۲۰۰۹۱۲
۶۰۱۸۹	کرج	۴۲۰۰۹۱۲-۴۲۰۰۹۰۵-۶
۲۲۴۰۱	ایلام	۲۲۵۳۱۴۳
۲۲۴۰۲	ایلام	۳۳۶۴۷۳۰
۲۲۴۰۳	آبدانان	۶۲۲۶۲۱۱-۶۲۲۰۱۱۰
۲۲۴۰۴	دره شهر	۵۲۲۷۶۹۲
۲۵۱۹۹	دهلران	۷۲۲۹۶۶۸
۲۱۴۰۴	بندر دیر	۸۲۲۲۶۰۶
۲۱۴۰۹	برازجان	۴۲۴۲۷۹۸
۲۱۲۱۱	ولایت جم	۷۶۳۳۳۱۸
۲۱۲۱۲	یوشهر	۲۵۳۴۵۹۹-۲۵۳۴۵۹۸
۲۰۱۰۲	کرج	۲۲۴۰۴۰۲-۲۲۴۰۴۰۱-۲۲۰۸۱۵۵
۲۰۱۰۳	ورامین	۲۲۵۳۲۵۲
۲۰۱۰۵	اسلامشهر	۲۳۵۱۱۲۳
۲۰۱۰۹	تهران	۷۷۲۵۹۱۶۲-۷۷۷۸۰۴۰۰
۲۰۱۱۰	تهران	۳-۶۶۵۷۴۱۰۰-۶۶۵۷۴۱۱۰۵
۲۰۱۱۱	تهران	۲۲۵۰۴۴۵۰-۲۲۳۰۱۷۱۹-۲۲۳۱۳۹۶۵
۲۰۱۱۲	تهران	۶۶۰۰۴۷۸۴
۲۰۱۱۸	تهران	۵-۶۶۳۸۹۸۴
۲۰۱۲۰	تهران	۴۴۳۳۶۶۵
۲۰۱۲۱	پاکدشت	۳۰۳۷۸۹۳-۳۰۴۰۸۴۳
۲۰۱۲۲	دماوند	۵۲۳۴۶۶۴-۵۲۳۴۶۵۴
۲۰۱۲۳	تهران	۸۷۷۲۳۰۰۷-۸۱۳۰۵۱۰۱-۳
۲۰۱۲۴	کرج	۳۵۲۳۱۹۹-۳۵۲۱۲۳۳-۳۵۲۷۵۳۰
۲۰۱۲۵	تهران	۵-۳۳۰۵۷۳۳۴
۲۰۱۲۶	شهریار	۲۲۵۵۸۰۹-۲۲۵۵۸۱۳-۲۲۵۵۸۲۰
۲۰۱۲۷	تهران	۶۶۳۸۹۸۸۹-۶۶۳۸۵۷۵۸
۲۰۱۲۸	تهران	۵۵۹۵۵۰۰۰-۵۵۹۰۳۹۰۰
۲۰۱۳۰	تهران	۸۷۰۳۶۰۸-۸۹۳۰۵۳۰۵
۲۰۱۳۲	شهرقدس	۴۶۸۸۸۹۹۶
۲۵۱۹۶	رباط کریم	۴۲۳۹۳۸۹
۶۰۱۶۰	تهران	۵۶۵۴۶۹۷۸
۶۰۱۸۱	تهران	۸۵۵۵۶۴۲
۸۰۱۶۱	تهران	۴-۸۸۶۸۶۰۵۳
۲۲۷۰۱	شهرکرد	۲۲۳۴۸۱
۲۲۷۰۳	بروجن	۴۲۳۸۹۳۴
۲۲۷۰۴	فارسان	۷۲۳۹۴۰۰
۲۰۲۲۸	فردوس	۲۲۳۱۱۰۱
۲۵۲۴۸	بیرجند	۲۲۳۱۱۹۰-۲۲۳۴۵۷۷
۲۰۲۰۱	مشهد	۸۴۲۰۲۲۷
۲۰۲۰۴	نیشابور	۳۳۳۰۴۰۰-۳۳۳۰۳۰۰
۲۰۲۰۵	سیزوار	۲۲۳۵۸۵۵
۲۰۲۰۸	خلیل آباد	۷۷۲۳۲۵۲
۲۰۲۱۱	قوچیان	۲۲۴۴۵۱۵
۲۰۲۱۲	ترت حیدریه	۲۲۲۳۴۷۷-۲۲۱۳۴۷۷
۲۰۲۱۴	مشهد	۸۹۱۱۳۳۳
۲۰۲۱۵	کاشمر	۸۲۳۳۸۵۵

فهرست نمایندگان لوازم خانگی شرکت خدمات گلديران

کد نماینده	شهر	تلفن	کد نماینده	شهر	تلفن
۲۰۲۱۷	تربت حیدریه	۲۲۳۰۰۰۱	۲۲۶۰۵	زابل	۲۲۲۵۹۱۹
۲۰۲۲۰	چناران	۶۲۲۶۴۴۶-۶۲۲۹۱۹۲	۲۲۶۰۶	ایرانشهر	۲۲۲۰۱۲۷
۲۰۲۲۲	سبزوار	۲۲۲۹۵۶۰-۲۲۲۸۲۴۸	۲۰۴۰۲	آباده	۲۲۲۸۵۹۹-۲۲۲۴۴۸۱
۲۰۲۲۳	خواف	۴۲۲۶۸۹۳	۲۰۴۰۳	داراب	۶۲۴۴۵۶۲
۲۰۲۲۴	سرخس	۵۲۲۹۵۱۶-۵۲۲۱۲۱۱	۲۰۴۰۴	فسا	۲۲۲۶۰۱۰-۲۲۲۶۰۱۰
۲۰۲۲۵	گناباد	۷۲۵۱۶۶۱	۲۰۴۰۷	خنج	۴۲۵۲۴۹۴-۴۵۲۲۴۹۵
۲۰۲۲۶	مشهد	۸۵۹۷۷۷۶	۲۰۴۰۹	مرودشت	۲۲۳۲۷۵۴
۲۰۲۲۷	مشهد	۷۲۵۷۸۸۹	۲۰۴۱۰	نیریز	۵۲۲۹۱۴۲-۵۲۲۱۵۸۱
۲۰۲۲۹	تایباد	۴۲۲۰۵۶۹	۲۰۴۱۲	نورآباد ممسنی	۴۲۲۲۷۸۷
۲۰۲۳۰	فریمان	۶۲۲۲۶۷۹	۲۰۴۱۴	کازرون	۲۲۲۵۲۶۳
۲۰۲۳۱	تربت جام	۲۲۲۴۲۱۱	۲۰۴۱۵	ارسنجان	۷۶۲۵۷۵۵
۲۰۲۰۳	بجنورد	۲۲۲۹۶۴۱-۲۲۵۰۷۰۵	۲۰۴۱۷	شیراز	۱-۸۲-۹۲۷۲
۲۰۲۰۹	شیروان	۶۲۲۷۸۵۴	۲۰۴۱۸	چهرم	۴۴۵۷۴۷
۲۰۲۱۸	اسفراین	۷۲۲۲۶۶۹	۲۰۴۱۹	نورآباد ممسنی	۴۲۲۲۳۲۹
۲۰۲۱۹	اشخانه	۴۲۲۵۶۵۵	۲۰۴۲۰	شیراز	۷۲۷۳۴۶۷-۷۲۷۷۰۵۹
۲۰۲۲۱	گرمره	۲۲۵۲۳۹۹۰	۲۰۴۲۱	لارستان	۲۲۲۶۰۲۲
۲۵۰۰۷	بجنورد	۲۲۲۲۹۵۲-۲۲۲۸۰۴۵	۲۰۴۲۲	خرم بید	۳۵۲۱۳۰۸
۲۰۵۰۳	آبادان	۴۴۳۳۲۱۲-۴۴۳۱۲۸۸	۲۰۴۲۳	لامرد	۵۲۲۴۰۵۲-۵۲۲۳۹۸۵
۲۰۵۰۷	دزفول	۲۲۲۲۸۲۳-۲۲۴۴۶۰۰-۲۲۴۴۲۲۰	۲۰۴۲۴	فیروزآباد	۶۲۲۶۵۶۵
۲۰۵۰۹	دزفول	۲۲۲۷۳۹۹	۲۰۴۲۵	اقلید فارس	۴۲۲۲۹۵۳
۲۰۵۱۰	خرمشهر	۴۲۲۳۸۱۲-۴۲۳۲۰۶۰	۲۰۴۲۶	شیراز	۶۲۵۱۱۷۳
۲۰۵۱۱	ماهشهر	۲۲۲۶۵۹۷-۲۲۲۱۸۲۲	۲۱۴۰۱	قزوین	۲۲۲۲۱۸۲
۲۰۵۱۳	شوش دانیال	۵۲۲۷۱۲۱	۲۱۴۰۲	قزوین	۲۵۶۲۱۸-۲۵۶۸۱۱۸
۲۰۵۱۴	شوشتر	۶۲۲۸۰۰۰	۲۱۴۰۴	تاکستان	۵۲۲۸۱۳۹
۲۰۵۱۷	شادگان	۳۲۲۰۰۶۸	۲۱۴۰۵	قزوین	۳۲۲۲۸۶۶
۲۰۵۲۱	خرمشهر	۴۲۲۶۲۳۲-۴۲۲۸۲۲۲	۲۱۴۰۶	بوتین زهرا	۴۲۲۵۳۵۵
۲۰۵۲۴	ایذه	۵۲۲۱۲۱۱	۲۵۰۴۱	قزوین	۲۲۳۵۶۶۶-۲۲۲۱۱۳۲-۳
۲۰۵۲۵	رامهرمز	۲۲۲۰۴۱۵	۲۱۵۰۱	قم	۶۶۰۱۴۸۰
۲۰۵۲۷	بندر امام	۲۲۲۰۰۲۲	۲۵۰۳۲	قم	۷۶۰۳۴۳۴
۲۰۵۳۰	اندیمشک	۴۲۲۵۵۷۲	۲۲۲۰۱	سنندج	۳۲۸۱۳۶۹-۳۲۴۷۵۴۵
۲۰۵۳۲	اهواز	۱-۲۹۲۴۱۰۰	۲۲۲۰۲	بیجار	۴۲۲۵۶۲۲-۴۲۲۲۲۵۱
۲۰۵۳۳	آبادان	۴۴۴۴۴۰۰-۴۴۲۶۸۵۲	۲۲۲۰۳	سقز	۳۲۲۸۸۱۲-۳۲۲۸۸۱۱
۲۰۵۳۴	بهبهان	۴۲۲۵۲۲۷	۲۲۲۰۵	سنندج	۳۲۳۷۷۰۶
۲۰۵۳۵	امیدیه	۳۲۲۱۹۸۹	۲۱۷۰۴	کهنوج	۵۲۲۶۵۱۱
۲۵۲۱۴	اندیمشک	۴۲۲۰۸۱۴	۲۱۷۰۵	رفسنجان	۵۲۲۸۴۶۹
۲۵۳۰۵	باغملک	۴۲۲۱۴۱۴	۲۱۷۰۷	سیرجان	۳۲۲۱۶۹۸
۶۰۱۸۲	اهواز	۶۱۱۲۲۷۹۷۸۷	۲۱۷۰۸	عنبرآباد	۴۶۲۳۳۱۱
۲۲۰۰۱	زنجان	۷۲۷۵۹۲۲	۲۱۷۰۹	رفسنجان	۵۲۲۰۹۵۹
۲۲۰۰۲	ابهر	۵۲۷۷۷۱۱	۲۱۷۱۱	کرمان	۲۴۴۹۴۲۰
۲۲۰۰۳	خدابنده (قیدار)	۴۲۲۰۹۰۷	۲۱۷۱۲	بافت	۴۲۲۴۴۴۰
۲۲۰۰۴	خرم دره	۵۵۲۳۷۳۵	۲۱۷۱۳	انار	۳۲۲۲۱۱۶
۲۰۷۰۸	محمودآباد	۷۷۴۶۰۸۳	۲۱۷۱۴	بم	۲۲۱۴۷۸۴
۲۰۷۲۲	فریدونکنار	۵۶۵۱۴۵۰-۵۶۵۱۴۵۱	۲۱۷۱۵	چیرفت	۲۲۱۶۶۲۱-۲۲۱۴۱۹۵
۲۲۵۰۱	سمتان	۳۳۳۳۱۰۴-۳۳۳۶۸۷۷	۲۱۶۰۲	کرمانشاه	۷۲۲۵۶۲۷
۲۳۵۰۲	دامغان	۵۲۴۴۶۱۵	۲۱۶۰۳	کرمانشاه	۸۲۴۳۳۴۳-۸۲۳۴۵۰۰
۲۳۵۰۳	گرمسار	۴۲۲۵۵۶۷	۲۱۶۰۴	سرپل ذهاب	۲۲۲۱۴۰۶
۲۳۵۰۴	شاهرود	۳۳۳۴۷۱۷	۲۱۶۰۵	اسلام آباد غرب	۵۲۲۱۸۲-۵۲۲۷۸۶۷
۲۳۵۰۵	شاهرود	۲۲۲۱۹۶۵	۲۱۶۰۶	کرمانشاه	۷۲۲۷۱۰۳
۲۲۶۰۳	زاهدان	۲۲۶۲۷۲۹-۲۲۶۲۷۲۹-۲۲۶۲۷	۲۱۶۰۷	صحنه	۳۲۲۷۰۲۲
۲۲۶۰۴	چابهار	۴۲۸۲۵۱۸	۲۱۶۰۸	جوانرود	۶۲۲۵۵۱۲

فهرست نمایندگان لوازم خانگی شرکت خدمات گلديران

کد نماینده	شهر	تلفن
۲۱۶۰۹	کنگاور	۹۱۸۸۳۷۶۰۸۱
۲۲۸۰۱	دوگنبدان	۹۱۷۶۶۰۱۰۷۰-۹۳۵۶۰۴۹۸۰۲
۲۲۳۰۷	مريوان	۹۱۸۹۸۵۰۶۹۴-۹۳۷۴۸۳۴۳۳۸
۲۱۷۱۶	کرمان	۹۱۳۳۹۹۶۸۵۰
۲۵۱۸۱	زرنند	۹۱۳۲۹۷۲۴۳۱
۲۲۸۰۳	ياسوج	۹۱۷۷۴۱۷۳۶۹
۲۱۰۰۲	گنبدکاووس	۹۱۱۱۷۲۱۷۱۴
۲۱۰۰۳	کريکوی	۹۱۱۳۷۵۷۹۱۱
۲۱۰۰۴	علی آباد کتول	۹۱۱۳۳۰۰۰۳
۲۱۰۰۵	گرگان	۹۱۱۳۷۱۳۰۰-۹۱۱۱۷۰۴۰۱۹
۲۱۰۰۶	آق قلا	۹۱۱۷۵۲۰۹۸
۲۱۰۰۷	کلاله	۹۱۱۹۷۶۴۰۲۶
۲۱۰۰۹	مينودشت	۹۱۱۳۷۴۰۶۱۶-۹۱۱۱۷۷۶۰۹۹
۲۱۰۱۰	گرگان	۹۱۱۱۷۵۶۷۳
۲۱۰۰۸	گنبدکاووس	۹۱۱۳۲۲۲۱۴
۲۰۶۰۱	رشت	۹۱۱۳۳۱۴۳۵۱
۲۰۶۰۳	بندر انزلی	۹۱۱۱۸۳۹۱۱۰
۲۰۶۰۵	لاهیجان	۹۱۱۱۴۱۴۴۷۱
۲۰۶۰۶	لنگرود	۹۱۱۱۴۵۴۷۸۴
۲۰۶۰۷	رودسر	۹۱۱۱۴۲۱۲۰۱
۲۰۶۰۸	تالش	۹۱۱۱۸۱۹۳۲۲
۲۰۶۰۹	تالش	۹۱۱۳۸۲۳۰۱۲
۲۰۶۱۱	آستانه اشرفیه	۹۱۱۱۴۲۴۳۱
۲۰۶۱۲	رضوان شهر	۹۱۱۱۴۸۰۴۸۹
۲۰۶۱۳	خمام	۹۱۱۳۳۹۷۷۷۳
۲۰۶۱۴	رودبار	۹۱۱۱۳۶۹۷۸۱
۲۰۶۱۵	صومعه سرا	۹۱۱۱۳۲۲۱۰۷
۲۰۶۱۶	لوشان	۹۱۱۱۳۸۵۹۶۵
۲۰۶۱۸	رشت	۹۱۱۱۳۲۰۷۸۳
۲۰۶۱۹	بندر انزلی	۹۱۱۱۸۱۱۱۹۸
۲۰۶۲۰	لشت نشاء	۹۱۱۳۳۵۳۵۳۶
۲۰۶۲۱	کلاچای	۹۱۱۳۴۲۵۰۱۳
۲۰۶۲۲	املش	۹۱۱۱۴۲۱۴۳۶
۲۰۶۲۳	لاهیجان	۹۱۱۱۴۱۴۳۴۵
۲۰۶۲۵	صومعه سرا	۹۱۱۳۸۲۱۰۴۱
۲۰۶۲۶	رشت	۹۱۱۱۳۱۴۹۷۶
۲۰۶۲۷	فومن	۰۹۱۱۱۳۸۶۰۹۷-۹۳۵۱۳۸۶۰۹۷
۲۰۶۲۸	آستارا	۹۱۱۱۸۵۴۹۸۱
۲۰۶۲۹	سیاهکل	۹۱۱۷۴۸۸۸۵۸
۲۰۶۳۰	رستم آباد رودبار	۹۱۱۳۳۷۱۸۵۹
۲۰۶۳۱	رشت	۹۱۱۳۳۵۲۰۵۱
۲۰۶۳۲	ماسال	۹۱۱۹۸۳۹۵۸۰
۲۰۶۳۳	آستارا	۹۱۱۱۸۵۵۱۵۳
۲۰۷۱۸	بهبهر	۹۱۱۱۵۶۶۵۰۳-۹۱۱۸۴۳۵۸۴۴
۲۰۷۳۳	تنگابن	۹۱۱۱۹۲۶۷۵۵
۲۲۱۰۱	خرم آباد	۹۱۶۱۶۱۲۳۰۳
۲۲۱۰۴	بروجرد	۹۱۶۱۶۲۲۴۰۱
۲۲۱۰۵	اليگودرز	۹۱۶۶۶۴۲۰۴۹
۲۲۱۰۶	خرم آباد	۹۱۶۶۶۲۲۴۶۳
۲۲۱۰۷	پلدختر	۹۱۶۶۶۱۴۴۲۳
۲۲۱۰۸	کومدشت	۶۲۲۸۳۱۰
۲۲۱۰۹	بروجرد	۲۶۱۷۹۸۸-۴۴۶۰۹۲۲
۲۲۱۱۰	دورد	۴۲۲۹۸۳۱
۲۰۶۲۳	رامسر	۵۲۵۹۶۸۸
۲۰۷۰۳	بابل	۲۲۷۲۹۴۹-۲۲۷۱۹۴۸
۲۰۷۰۴	بابلسر	۵۲۳۲۱۲۳-۵۲۵۴۷۲۳
۲۰۷۱۰	نور	۶۲۲۴۶۱۰
۲۰۷۱۲	تنگابن	۴۲۲۵۲۸۲
۲۰۷۱۳	خزرشهر	۵۲۲۵۶۹۳
۲۰۷۱۴	محمودآباد	۷۳۵۴۴۴۶
۲۰۷۱۵	جويبار	۳۲۲۸۴۳۸
۲۰۷۱۶	نکاه	۵۶۲۵۷۲۲
۲۰۷۱۷	گلگاه	۶۲۲۷۹۲۳
۲۰۷۲۰	تنگابن	۴۲۸۱۲۱۹۹
۲۰۷۱۲	چالوس	۲۲۲۶۷۸۲
۲۰۷۲۲	قائم شهر	۲۲۲۰۶۹۵
۲۰۷۲۵	فریدون کنار	۵۶۵۳۳۰۹
۲۰۷۲۷	ساری	۳۲۱۲۰۴۸
۲۰۷۲۸	ساری	۲۲۶۳۵۵۵
۲۰۷۳۰	آمل	۳۲۶۹۱۶۲
۲۰۷۳۱	عباس آباد تنکابن	۴۶۳۶۶۱۵
۲۰۷۳۲	نوشهر	۳۲۳۶۲۲۱
۲۰۷۳۴	قائم شهر	۲۲۴۷۷۲۹
۲۰۷۳۵	نوشهر	۳۳۳۹۷۶۰-۳۳۳۸۰۴-۱۹۳۹۰۹۷
۲۰۷۳۶	بابل	۳۲۹۶۲۲۶-۳۲۹۶۲۵۹
۲۰۷۳۷	کلاردشت	۲۶۲۰۰۵۵
۲۰۷۳۸	آمل	۲۲۸۲۳۲۸
۲۰۷۳۹	چالوس	۳۲۱۶۷۱۴
۲۰۷۴۰	سوادکوه	۵۲۲۶۸۸-۵۲۲۱۶۰۰
۲۰۷۴۱	رویان	۶۲۴۵۱۹۵-۶۲۴۲۷۴۸
۲۰۷۴۲	چمستان	۵۲۲۹۲۳۳
۲۰۷۴۳	ساری	۳۱۱۹۴۶۵-۳۲۵۵۴۶۵
۲۱۹۰۱	اراک	۲۲۴۹۲۱۰
۲۱۹۰۲	خمین	۲۲۳۴۴۱۰
۲۱۹۰۳	ساوه	۲۲۲۴۶۵۴-۲۲۲۰۹۰-۴۲۳۷۴۷۰-۱
۲۱۹۰۵	دلیجان	۴۲۲۸۱۹۰
۲۱۹۰۶	اراک	۳۶۶۷۲۹۲-۳۶۸۱۴۰-۲
۲۱۹۰۷	مامونیه	۵۲۲۸۹۱۸
۲۱۹۰۸	محلات	۳۲۲۲۶۶۲
۲۱۱۰۴	بندرلنگه	۲۲۴۲۶۴۱
۲۱۱۰۶	میناب	۲۲۸۴۰۷۴
۲۱۱۱۱	بندرعباس	۳۳۵۴۰۰۲-۳۳۴۰۷۳۹
۲۱۱۱۲	جزیره کیش	۴۴۶۶۷۴۴-۴۴۲۱۵۶۰
۲۱۱۱۳	رودان	۴۲۲۷۰۵۲
۲۱۸۰۱	همدان	۲۵۱۳۳۳۴-۲۵۶۲۶۷۶-۶۲۴۶۷۴۵
۲۱۸۰۳	حالی	۳۲۲۸۹۰۰
۲۱۸۰۴	اسدآباد	۲۲۲۵۱۸۴
۲۱۸۰۵	همدان	۲۵۳۵۵۹۳
۲۱۸۰۶	کبودرآهنگ	۵۲۲۶۹۹۶-۵۲۲۲۸۰۵
۲۱۳۰۲	یزد	۸۸۸۹۰۷۵

فهرست نمایندگان لوازم خانگی شرکت خدمات گلدیران

تلفن	شهر	کد نماینده
۷۲۶۵۱۲۱-۷۲۴۹۹۱۴	یزد	۲۱۳۰۳
۷۲۳۱۶۱۷	اردکان	۲۱۳۰۴
۵۷۲۲۲۸۲-۵۷۲۲۰۰۹	هرات	۲۱۳۰۵
۴۲۳۴۰۴۶	طیس	۲۱۳۰۶
۵۲۲۲۵۳۸-۵۲۲۹۳۹۹	مهریز	۲۱۳۰۷
۴۴۳۳۳۰۹-۴۴۳۲۵۱۵	بیرجند	۲۰۲۰۲
۵۲۲۸۴۵۱	قروه	۲۲۳۰۶
۸۴۷۳۱۱۵۹-۸۴۷۳۱۱۰۱	تهران	۵۰۱۸۵
۵۶۵۴۶۴۸۹-۵۶۵۴۰۱۹۷	تهران	۶۰۱۸۰
۲۶۷۰۹۰۰	اصفهان	۶۰۱۸۳
۳۳۶۷۹۴۹	تبریز	۶۰۱۸۴
۸۴۷۳۱۱۱۱	تهران	۶۰۱۸۵
۲۳۲۰۸۲۰	شیراز	۶۰۱۸۶
۸۴۵۲۲۴۰	مشهد	۶۰۱۸۷
۳۹۲۴۵۷۳	اهواز	۶۰۱۸۸

مرکز اطلاع رسانی و خدمات مشتریان گلدیران ۰۹۶۸۵