



**LG**

Life's Good

OWNER'S MANUAL

# AIR CONDITIONER

Please read this manual carefully before operating your set and retain it for future reference.

TYPE : WALL MOUNTED

P/NO : MFL61845005

[www.lge.com](http://www.lge.com)

# TABLE OF CONTENTS

|  |    |
|--|----|
| <b>A. Safety Precautions</b> .....       | 3  |
| <b>B. Electrical Safety</b> .....        | 6  |
| Temporary Use of an Adapter .....        | 6  |
| Temporary Use of an Extension Cord ..... | 6  |
| Symbols used in this Manual .....        | 6  |
| <b>C. Product Introduction</b> .....     | 7  |
| Indoor Units .....                       | 7  |
| Operation Indication Lamps .....         | 8  |
| Outdoor Unit .....                       | 8  |
| <b>D. Operating Instructions</b> .....   | 9  |
| How to insert the Batteries .....        | 9  |
| Wireless Remote Controller               |    |
| Maintenance .....                        | 9  |
| Operating Method .....                   | 9  |
| Wireless Remote Controller .....         | 10 |
| Operation Mode .....                     | 11 |
| Healthy Dehumidification Operation ..... | 12 |
| Auto Operation                           |    |
| (Cooling Only Model) .....               | 12 |
| Auto Changeover Operation                |    |
| (Heat Pump Model) .....                  | 12 |
| Jet Cool/Heat Operation .....            | 13 |
| NEO PLASMA Purification Operation        |    |
| (Optional) .....                         | 13 |
| Auto Clean (Optional) .....              | 13 |
| Energy-Saving Cooling Mode               |    |
| (Optional) .....                         | 14 |
| Forced operation .....                   | 14 |
| Sleep Mode .....                         | 15 |
| Setting the Current Time .....           | 15 |
| Timer Setting .....                      | 15 |
| Vertical / Horizontal Airflow Direction  |    |
| Control (Optional) .....                 | 16 |
| Air Circulation Mode .....               | 16 |
| Auto Restart Function .....              | 16 |
| <b>E. Maintenance and Service</b> .....  | 17 |
| Indoor Unit .....                        | 17 |
| Outdoor Unit .....                       | 19 |
| Operation Tips! .....                    | 19 |
| Self-Diagnosis Function .....            | 19 |
| Troubleshooting Tips!                    |    |
| Save time and money! .....               | 20 |
| Call the service immediately in the      |    |
| following situations .....               | 20 |



## FOR YOUR RECORDS

Write the model and serial numbers here:

**Model #**

**Serial #**

You can find them on a label on the side of each unit.

**Dealer's Name**

**Date Purchased**

■ Staple your receipt to this page in the event you need it to prove date of purchase or for warranty issues.



## READ THIS MANUAL

Inside you will find many helpful hints on how to use and maintain your air conditioner properly. Just a little preventive care on your part can save you a great deal of time and money over the life of your air conditioner.

You'll find many answers to common problems in the chart of troubleshooting tips. If you review our chart of

**Troubleshooting Tips** first, you may not need to call for service at all.



## PRECAUTION

- **Contact the authorized service technician for repair or maintenance of this unit.**
- **Contact the installer for installation of this unit.**
- **The air conditioner is not intended for use by young children or invalids without supervision.**
- **Young children should be supervised to ensure that they do not play with the air conditioner.**
- **When the power cord is to be replaced, replacement work shall be performed by authorized personnel only using only genuine replacement parts.**



# Safety Precautions



To prevent injury to the user or other people and property damage, the following instructions must be followed.

■ Incorrect operation due to ignoring instruction will cause harm or damage. The seriousness is classified by the following indications.

**⚠ WARNING** This symbol indicates the possibility of death or serious injury.

**⚠ CAUTION** This symbol indicates the possibility of injury or damage.

■ Meanings of symbols used in this manual are as shown below.

|   |   |
|---|---|
|  | <b>Be sure not to do.</b>                 |
|  | <b>Be sure to follow the instruction.</b> |

## ⚠ WARNING

**Always use a power plug and socket with a ground terminal.**

- There is a risk of electric shock.

**Do not use a defective or underrated circuit breaker. Use the correctly rated breaker and fuse.**

- There is risk of fire or electric shock .

**Do not use a multi consent. Always use this appliance on a dedicated cicuit and breaker.**

- Otherwise it can cause electric shock or fire.

**For electrical work, contact the dealer, seller, a qualified electrician, or an Authorized Service Center. Do not disassemble or repair the product by yourself.**

- There is risk of fire or electric shock.

**Always ground the product as per the wiring diagram. Do not connect the ground wire to gas or water pipes lightning rod or telephone ground wire.**

- There is risk of fire or electric shock.

**Install the panel and the cover of control box securely.**

- There is risk of fire or electric shock due to dust , water etc.

**Use the correctly rated breaker or fuse.**

- There is risk of fire or electric shock.

**Do not modify or extend the power cable. If the power cable or cord has scratches or skin peeled off or deteriorated then it must be replaced.**

- There is risk of fire or electric shock.

**For installation, removal or reinstall , always contact the dealer or an Authorized Service Center.**

- There is risk of fire, electric shock, explosion, or injury.

**Do not install the product on a defective installation stand. Be sure that the installation area does not deteriorate with age.**

- It may cause product to fall.

**Never install the outdoor unit on a moving base or a place from where it can fall down.**

- The falling outdoor unit can cause damage or injury or even death of a person.

**When the product is soaked (flooded or submerged) in water , contact an Authorized Service Center for repair before using it again.**

- There is risk of fire or eletric shock.

**In outdoor unit the step-up capacitor supplies high voltage electricity to the electrical components. Be sure to discharge the capacitor completely before conducting the repair work.**

- An charged capacitor can cause electrical shock.

**When installing the unit, use the installation kit provided with the product.**

- Otherwise the unit may fall and cause severe injury.

**Be sure to use only those parts which are listed in the svc parts list. Never attempt to modify the equipment.**

- The use of inappropriate parts can cause an electrical shock, excessive heat generation or fire.

## Safety Precautions

**Indoor/outdoor wiring connections must be secured tightly and the cable should be routed properly so that there is no force pulling the cable from the connection terminals.**

- Improper or loose connections can cause heat generation or fire.

**Be sure to check the refrigerant to be used. Please read the label on the product.**

- Incorrect refrigerant used can prevent the normal operation of the unit.

**Do not place a heater or other heating appliances near the power cable.**

- There is risk of fire and electric shock.

**Do not use the product in a tightly closed space for a long time. Perform ventilation regularly.**

- Oxygen deficiency could occur and hence harm your health.

**Ventilate the product room from time to time when operating it together with a stove, or heating element etc.**

- Oxygen deficiency can occur and hence harm your health.

**Take care to ensure that nobody especially kids could step on or fall onto the outdoor unit.**

- This could result in personal injury and product damage.

**Do not plug or unplug the power supply plug to turn the unit ON/OFF .**

- There is risk of fire or electric shock.

**Safely dispose off the packing materials. Like screws, nails, batteries, broken things etc after installation or svc and then tear away and throw away the plastic packaging bags.**

- Children may play with them and cause injury.

**Don't use a power cord, a plug or a loose socket which is damaged.**

- Otherwise it may cause a fire or electrical shock.

**Do not allow water to run into electric parts. Install the unit away from water sources.**

- There is risk of fire, failure of the product, or electric shock.

**Do not open the front grille of the product during operation. (Do not touch the electrostatic filter, if the unit is so equipped.)**

- There is risk of physical injury, electric shock, or product failure.

**Turn the main power off and unplug the unit when cleaning or repairing the product.**

- There is risk of electric shock.

**Take care to ensure that power cable could not be pulled out or damaged during operation.**

- There is risk of fire or electric shock.

**Make sure to check that the power cable plug is not dirty, loose or broken and then only insert the plug completely.**

- Dirty, loose or broken power plug can cause electric shock or fire.

**Do not touch, operate, or repair the product with wet hands. Hold the plug by hand when taking out**

- There is risk of electric shock or fire.

**Do not store or use or even allow flammable gas or combustibles near the product.**

- There is risk of fire.

**If strange sounds, smell or smoke comes from product. Immediately turn the breaker off or disconnect the power supply cable.**

- There is risk of electric shock or fire.

**When the product is not to be used for a long time, disconnect the power supply plug or turn off the breaker.**

- There is risk of product damage or failure, or unintended operation.

**Do not place ANYTHING on the power cable.**

- There is risk of fire or electric shock.

**When flammable gas leaks, turn off the gas and open a window for ventilation before turn the product on.**

- Do not use the telephone or turn switches on or off. There is risk of explosion or fire.

## CAUTION

**Two or more people must lift and transport the product.**

- Avoid personal injury.

**Keep level even when installing the product.**

- To avoid vibration or noise.

**Do not install the product where it will be exposed to sea wind (salt spray) directly.**

- It may cause corrosion on the product.

**Do not install the product where the noise or hot air from the outdoor unit could damage or disturb the neighborhoods.**

- It may cause a problem for your neighbors and hence dispute.

**Install the drain hose to ensure that the condensed water is drained away properly.**

- A bad connection may cause water leakage.

**Always check for gas (refrigerant) leakage after installation or repair of product.**

- Low refrigerant levels may cause failure of product.

**Do not use the product for special purposes, such as preserving foods, works of art, etc. It is a consumer air conditioner, not a precision refrigeration system.**

- There is risk of damage or loss of property.

**Do not block the inlet or outlet of air flow.**

- It may cause product failure.

**Use a soft cloth to clean. Do not use harsh detergents, solvents or splashing water etc .**

- There is risk of fire, electric shock, or damage to the plastic parts of the product.

**Do not touch the metal parts of the product when removing the air filter.**

- There is risk of personal injury.

**Do not step on or put anything on the product. (outdoor units)**

- There is risk of personal injury and failure of product.

**Always insert the filter securely after cleaning. Clean the filter every two weeks or more often if necessary.**

- A dirty filter reduces the efficiency.

**Do not insert hands or other objects through the air inlet or outlet while the product is operating.**

- There are sharp and moving parts that could cause personal injury.

**Be cautious when unpacking and installing the product.**

- Sharp edges could cause injury.

**If the refrigerant gas leaks during the repair, do not touch the leaking refrigerant gas.**

- The refrigerant gas can cause frostbite (cold burn)

**Do not tilt the unit when removing or uninstalling it.**

- The condensed water inside can spill .

**Do not mix air or gas other than the specified refrigerant used in the system .**

- If air enters the refrigerant system, an excessively high pressure results, causing equipment damage or injury.

**If the refrigerant gas leaks during the installation, ventilate the area immediately.**

- Otherwise it can be harmful for your health.

**Dismantling the unit, treatment of the refrigerant oil and eventual parts should be done in accordance with local and national standards.**

**Replace the all batteries in the remote control with new ones of the same type. Do not mix old and new batteries or different types of batteries.**

- There is risk of fire or product failure.

**Do not recharge or disassemble the batteries. Do not dispose off batteries in a fire.**

- They may burn or explode.

**If the liquid from the batteries gets onto your skin or clothes, wash it well with clean water. Do not use the remote if the batteries have leaked.**

- The chemicals in batteries could cause burns or other health hazards.

**Do not let the air conditioner run for a long time when the humidity is very high and a door or a window is left open.**

- Moisture may condense and wet or damage furniture.

**Do not expose your skin or kids or plants to the cool or hot air draft.**

- This could harm to your health.

**Do not drink the water drained from the product.**

- It is not sanitary and could cause serious health issues.

**Use a firm stool or ladder when cleaning, maintaining or repairing the product at an height.**

- Be careful and avoid personal injury.

# Electrical Safety

## ⚠ WARNING

- This appliance must be properly grounded. To minimize the risk of electric shock, you must always plug into a grounded outlet.
- Do not cut or remove the grounding prong from the power plug.
- Attaching the adapter ground terminal to the wall receptacle cover screw does not ground the appliance unless the cover screw is metal and not insulated, and the wall receptacle is grounded through the house wiring.
- If you have any doubt whether the air conditioner is properly grounded, have the wall receptacle and circuit checked by a qualified electrician.

### *Temporary Use of an Adapter*

We strongly discourage the use of an adapter due to potential safety hazards. For temporary connections, use only a genuine adapter, available from most local hardware stores. Ensure that the large slot in the adapter is aligned with the large slot in the receptacle for a proper polarity connection.

To disconnect the power cord from the adapter, use one hand on each to avoid damaging the ground terminal. Avoid frequently unplugging the power cord as this can lead to eventual ground terminal damage.

## ⚠ WARNING

- Never use the appliance with a broken adapter.

### *Temporary Use of an Extension Cord*

We strongly discourage the use of an extension cord due to potential safety hazards. For temporary situations, use only CSA certified and UL listed 3-wire grounded extension cords, rated 15 A, 125 V.

## ⚠ WARNING

This appliance should be installed in accordance with national wiring regulations. This guide acts as a guide to help to explain product features.

### *Symbols used in this Manual*



This symbol alerts you to the risk of electric shock.



This symbol alerts you to hazards that may cause harm to the air conditioner.

**NOTE**

This symbol indicates special notes.

# Product Introduction

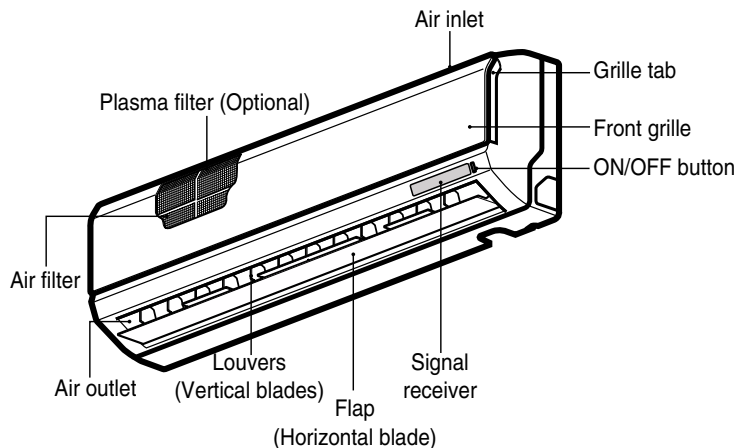
Here is a brief introduction of the indoor and outdoor units. Please see the information specific to your indoor unit type.

ENGLISH

## Indoor Units

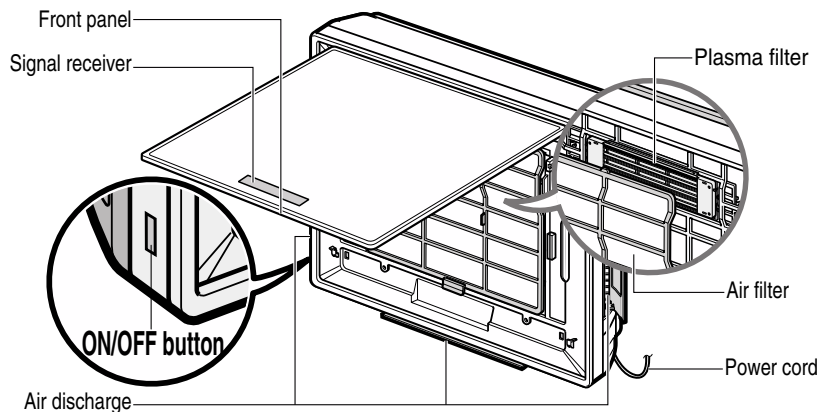
### Standard Split Type

Display panel LED indicators



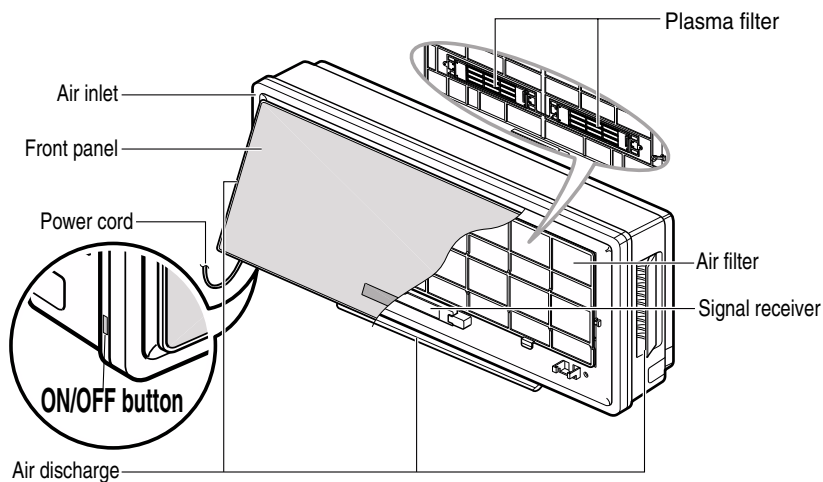
### Art Cool Type

Display panel LED indicators

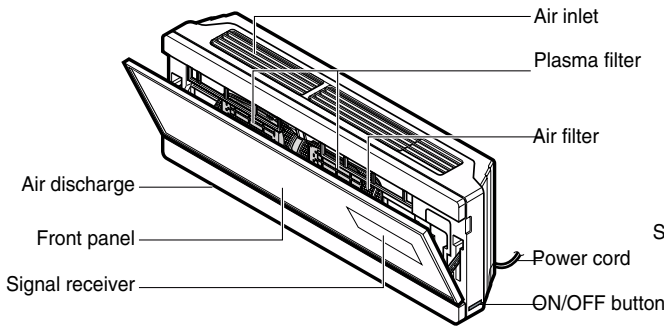


### Art Cool Type Wide

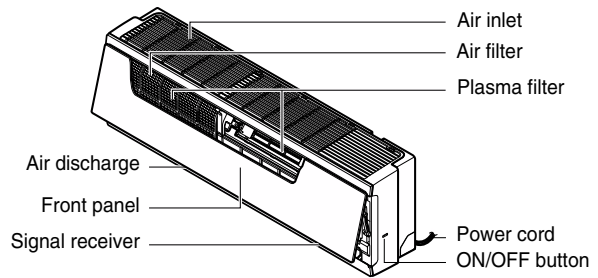
Display panel LED indicators



**Art Cool Deluxe(Type 1)**  
Display panel LED indicators



**Art Cool Deluxe(Type 2)**  
Display panel LCD indicators



**Operation Indication Lamps**

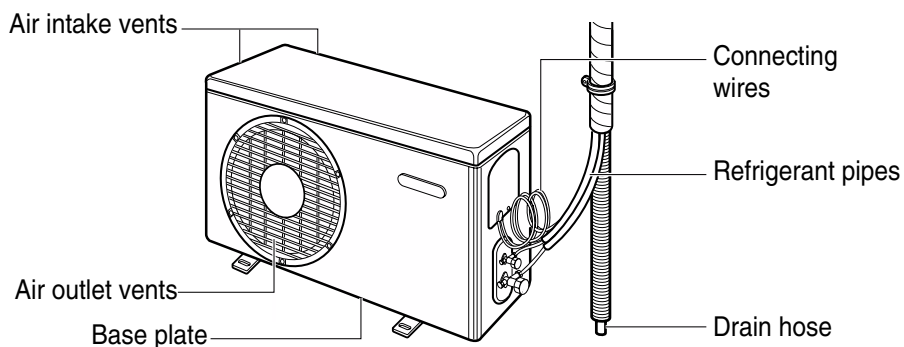
- On/Off : Lights up during the system operation, error code and auto restart setting.
- Sleep mode : Lights up during sleep mode auto operation.(non-Inverter Model)
- Energy-Saving : Lights up during Energy-Saving Cooling Mode Operation(Inverter Model only) Cooling Mode
- Plasma : The function illustrates its dynamic mode by using a multiple lighting system.
- Timer : Lights up during timer operation.(non-Inverter Model)  
Lights up during timer operation or sleep mode auto operation (Inverter Model only)
- Defrost mode : Lights up during defrost mode or **\*hot start operation** (Heat pump model only)
- Outdoor unit : Lights up during outdoor unit operation. (Cooling model only) operation
- Power Display : Indicates the setting temperature and operation mode.

| Operation mode   | Cooling, heating, Dehumidification Mode | Auto operation mode |         |     |             |      |          | Jet Cool/Heat | Energy-saving cooling mode | Test operation | Auto clean |
|------------------|---|---------------------|---------|-----|-------------|------|----------|---------------|----------------------------|----------------|------------|
|                  |   | Standard            | Too hot | Hot | Comfortable | Cold | Too cold |               |                            |                |            |
| Shape of display | Setting temperature                     | A1                  | -2      | -1  | 0           | 1    | 2        | Po            | Eo                         | Lo             | Co         |

\* **Hot start operation:** Stops the indoor fan in heating operation for minutes to prevent cold air from blowing out from unit.

\* In defrost mode unit stops heating operation for few minutes to remove formation of ice on the heat exchanger coils to maintain the efficiency.

**Outdoor Unit**

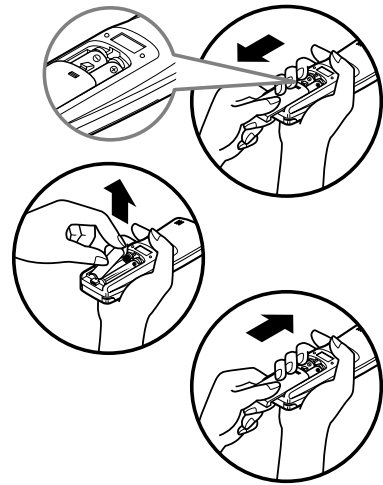




# Operating Instructions

## How to insert the Batteries

1. Remove the battery cover by pulling it according to the arrow direction.
2. Insert new batteries making sure that the (+) and (-) of battery are installed correctly.
3. Reattach the cover by sliding it back into position.

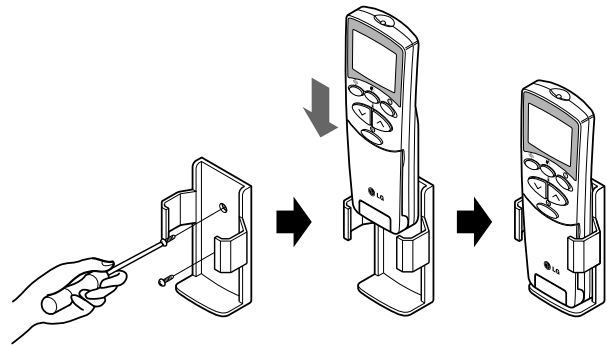


### NOTE

1. Always use/replace both batteries of same type.
2. If the system is not to be used for a long time, remove the batteries to save their working life.
3. If the display screen of remote controller starts, fading replace both of the batteries.

## Wireless Remote Controller Maintenance

1. Choose a suitable place where its safe & easy to reach.
2. Fix the holder to wall etc with the supplied screws firmly.
3. Slide the remote controller inside the holder.

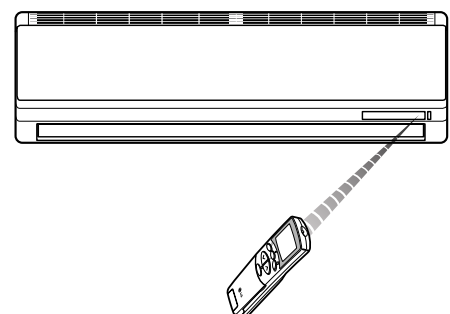


### NOTE

1. Remote controller should never be exposed to direct sunlight.
2. Signal transmitter & receiver should always be clean for proper communication. Use a soft cloth to clean them.
3. In case some other appliances also get operated with remote control, change their position or consult your serviceman.

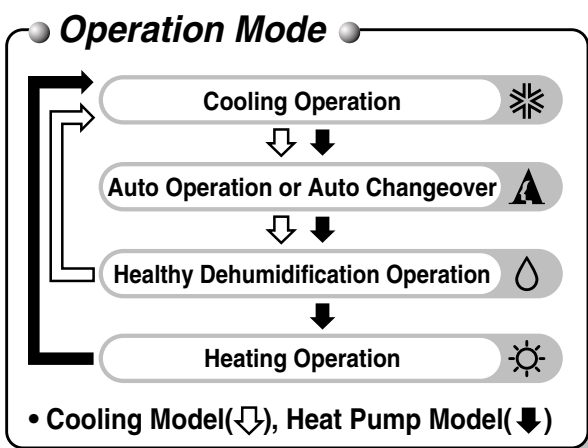
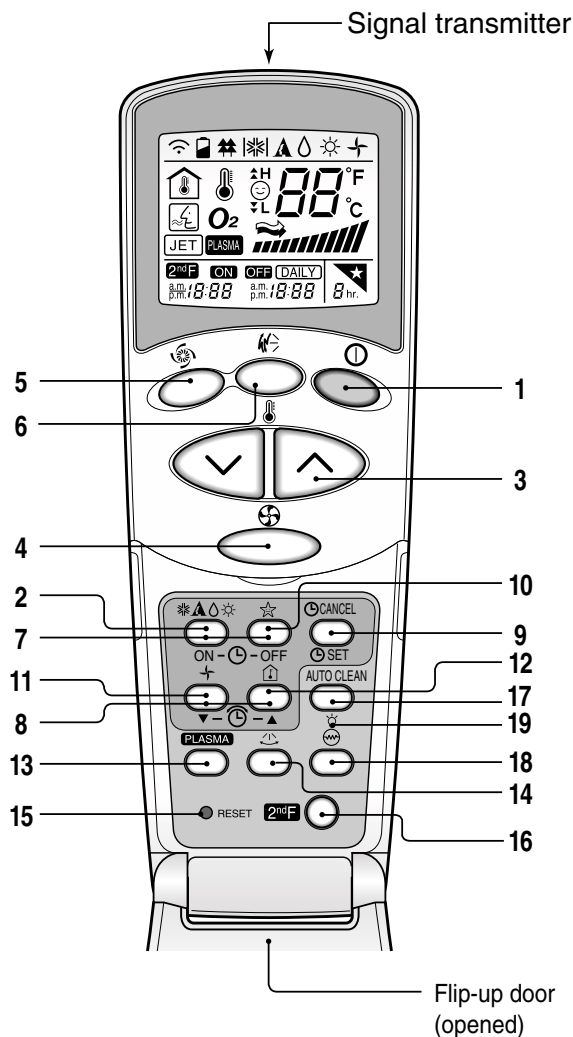
## Operating Method

1. The signal receiver is inside the unit.
2. Aim the remote controller towards the unit to operate it. There should not be any blockage in between.



## Wireless Remote Controller

The controls will look like the following.

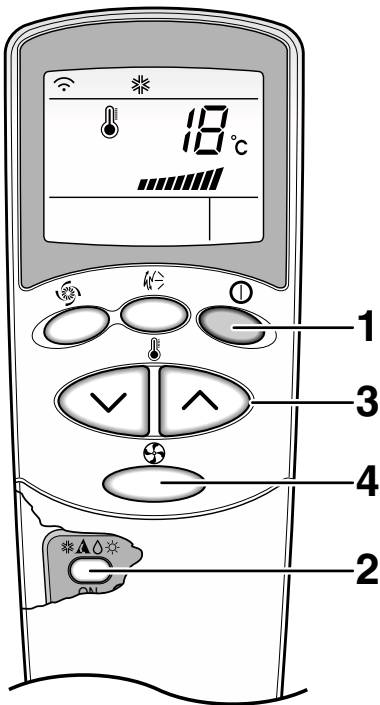


### NOTE

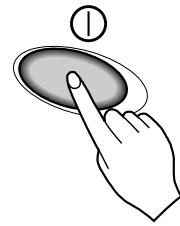
To use the functions printed in blue at the bottom of the buttons press 2<sup>nd</sup> F button first and then the required function button. Pressing the 2<sup>nd</sup> F button activates the blue printed function of the respective button. To cancel the function press the 2<sup>nd</sup> F button again else it will automatically cancel if remains idle after 10 seconds.

- 1. START/STOP BUTTON**  
Used to turn off/on the unit.
- 2. OPERATION MODE SELECTION BUTTON**  
Used to select the operation mode.
- 3. ROOM TEMPERATURE SETTING BUTTONS**  
Used to select the room temperature.
- 4. INDOOR FAN SPEED SELECTOR BUTTON**  
Used to select fan speed in four steps low, medium, high and CHAOS.
- 5. JET COOL BUTTON**  
Used to start or stop the speed cooling.  
(It operates fan in super high speed in cooling mode)
- 6. CHAOS SWING BUTTON**  
Used to stop or start louver movement and set the desired up/down airflow direction.
- 7. ON/OFF TIMER BUTTONS**  
Used to set the time of starting and stopping operation.
- 8. TIME SETTING BUTTONS**  
Used to adjust the time.
- 9. TIMER SET/CANCEL BUTTON**  
Used to set and to cancel the timer operation.
- 10. SLEEP MODE AUTO BUTTON**  
Used to set sleep mode auto operation.
- 11. AIR CIRCULATION BUTTON**  
Used to circulate the room air without cooling or heating.  
**ENERGY-SAVING COOLING MODE BUTTON (OPTIONAL)** For inverter type models
- 12. ROOM TEMPERATURE CHECKING BUTTON**  
Used to check the room temperature.
- 13. PLASMA BUTTON(OPTIONAL)**  
Used to start or stop the plasma-purification function.
- 14. HORIZONTAL AIRFLOW DIRECTION CONTROL BUTTON (OPTIONAL)**  
Used to set the desired horizontal airflow direction.
- 15. RESET BUTTON**  
Used prior to resetting time.
- 16. 2<sup>nd</sup> F BUTTON**  
Used prior to using modes printed in blue at the bottom of buttons.
- 17. AUTO CLEAN BUTTON(OPTIONAL)**  
Used to set auto clean mode.  
In some models this button has a 2<sup>nd</sup> function of LED luminosity control.
- 18. HEATER BUTTON(OPTIONAL)**  
(Not available in all models)
- 19. LCD LUMINOSITY BUTTON(OPTIONAL)**  
Used to adjust LCD luminosity.

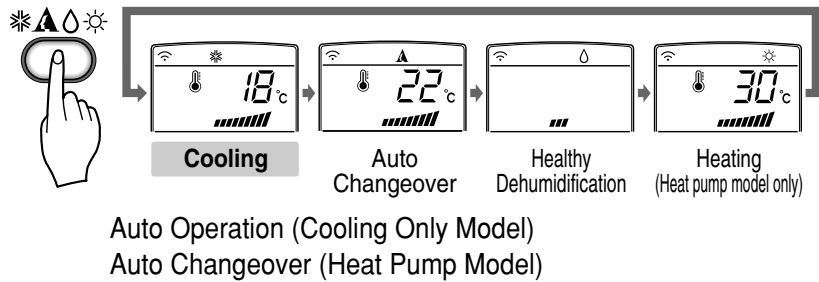
## Operation Mode



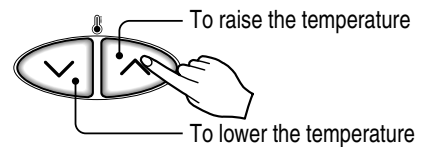
- 1** Press the START/STOP BUTTON to turn the unit on.  
The unit will respond with a beep.



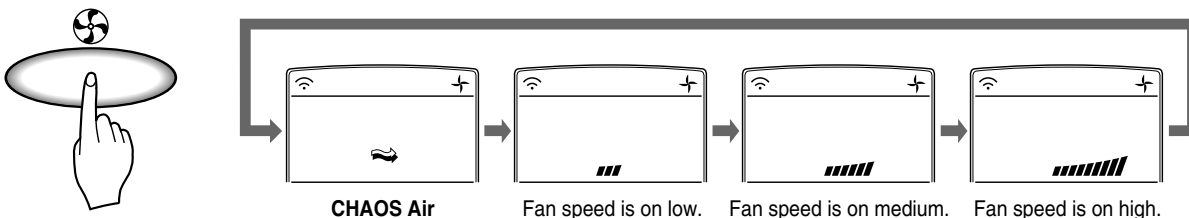
- 2** Open the door of the remote controller and press the operation mode button. Each time the button is pressed, the operation mode is shifted in the direction of the arrow.



- 3** For cooling or heating operation set the desired indoor temperature by pressing the ROOM TEMPERATURE SETTING BUTTONS.  
For cooling the temperature can be set within 18°C~30°C and for heating the temperature range is 16°C~30°C.



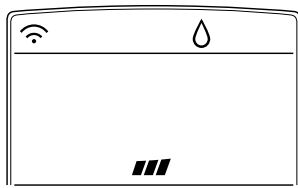
- 4** Set the fan speed with the remote controller. You can select the fan speed in four steps-low, medium, high and CHAOS by pressing the INDOOR FAN SPEED SELECTOR BUTTON. Each time the button is pressed, the fan speed mode is shifted.



### Natural wind by the CHAOS logic

- For fresher feeling, press the INDOOR FAN SPEED SELECTOR BUTTON selector and set to CHAOS mode.  
In this mode, the wind blows like a natural breeze by automatically changing fan speed according to the CHAOS logic.

## Healthy Dehumidification Operation



**Healthy  
Dehumidification**

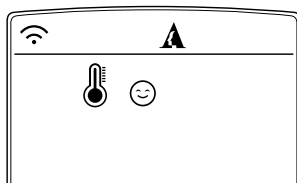


### During Healthy Dehumidification Operation

- ❑ If you select the dehumidification mode on the OPERATION MODE SELECTION BUTTON, the product starts to run the dehumidification function. It automatically sets the room temperature and airflow volume to the best condition for dehumidification, based on the sensed current room temperature.  
In this case, however, the setting temperature is not displayed on the remote controller and you are not able to control the room temperature either.
- ❑ During the healthy dehumidification function, the airflow volume is automatically set according to the optimization algorithm responding to the current room temperature status, so that the room condition is kept healthy and comfortable even in the very humid season.

*To run the healthy dehumidification mode follow steps 1, and 2 and 4 (See operation mode)*

## Auto Operation (Cooling Only Model)



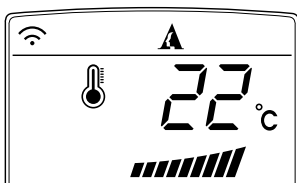
**Auto**

In this operation mode the actual setting temperature and the fan speed are automatically set by the electronic control logic based on the current room temperature. If you feel hot or cold press the temperature setting buttons respectively for more cooling or heating effect.

**NOTE :** You cannot set the actual setting temperature and the indoor fan speed in this operation mode. But you can use the Chaos swing in this operation.  
If the system is not operating as desired, switch manually to another mode.

*To run the auto operation follow steps 1, and 2. (See operation mode)*

## Auto Changeover Operation (Heat Pump Model)

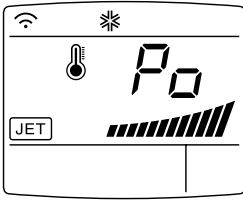


**Auto  
Changeover**

Auto operation basically is heating or cooling function of the air conditioner.  
But during this operation the controller changes the operation mode automatically to keep the temperature within  $\pm 2^{\circ}\text{C}$  with respect to the setting temperature.

*To run this operation follow steps 1, 2, 3, and 4. (See operation mode)*

## Jet Cool/Heat Operation



Jet cool function can be used to cool the room quickly in hot summer. When this function is turned on, the air conditioner runs in cooling operation mode with super high fan speed and 18°C setting temperature for 30 minutes for fast and effective cooling.

Similarly, jet heat function (available only in some models) warms up the room quickly by operating at super high fan speed and 30°C setting temperature for 60 minutes.

You can activate this operation by pressing the JET COOL BUTTON.

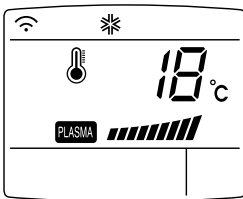
To change from jet cool mode to high fan speed cooling mode, press the JET COOL BUTTON or INDOOR FAN SPEED SELECTOR BUTTON or the ROOM TEMPERATURE SETTING BUTTON again.



### NOTE

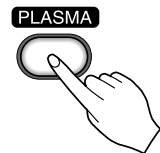
- Jet cool function cannot be activated during heating or auto changeover operations.
- In case of Inverter, Art Cool and Art Cool Wide(non-Deluxe) model, you can use jet heat function by pressing JET COOL BUTTON for heating operation.
- Art Cool and Art Cool Wide models close the side discharges during jet cool/heat operation, for strong cooling and heating.

## NEO PLASMA Purification Operation (Optional)



Plasma filter is a technology developed by LG to get rid of microscopic contaminants in the intake air by generating a plasma of high charge electrons. This plasma kills and destroys the contaminants completely to provide clean and hygienic air.

Plasma purification can be started by pressing the PLASMA BUTTON on the remote controller. Repeating it will deactivate the operation.



### NOTE

This feature can be used in any operation mode and any fan speed can be used while plasma filter is functioning.

## Auto Clean (Optional)

- During auto clean function, moistures left in indoor units after cooling operation or healthy dehumidification operation can be removed.



1. Press the AUTO CLEAN BUTTON to activate this function.
2. Now whenever the unit is turned off, the indoor fan is still running for about 30 minutes internally without cooling or dehumidification operation. Also the louver is closed.
3. This dries up any remains of moisture & cleans the unit internally.
4. If you press AUTO CLEAN BUTTON again during operation, this function is cancelled.

### NOTE

- During auto clean function, only START/STOP BUTTON, PLASMA BUTTON and AUTO CLEAN BUTTON can be used.

## Energy-Saving Cooling Mode (Optional)

Energy-saving cooling mode can save energy in cooling and healthy dehumidification operation, because it can operate efficiently by setting body-adaptation time according to the change of time and temperature and adjusting automatically desired temperature.



1. Press the START/STOP BUTTON to start the unit.
2. Open the door on the remote controller.  
Select cooling operation or healthy dehumidification operation.
3. Press the ENERGY-SAVING COOLING MODE BUTTON.
4. To cancel the energy-saving cooling mode, press the ENERGY-SAVING COOLING MODEL BUTTON again and unit will operate in previous mode(Cooling or healty dehumidification mode).

## Display Luminosity (Optional)

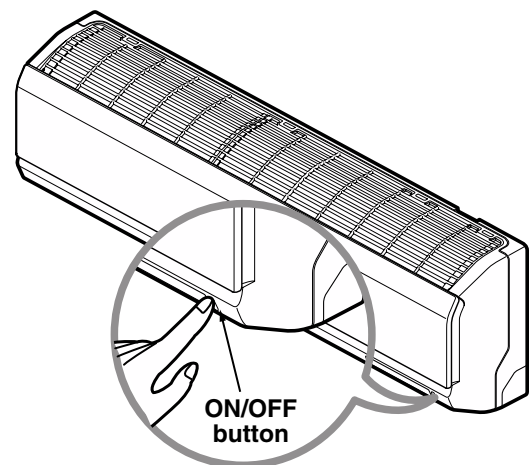
The Display Luminosity can be adjusted by using the remote control.

Press the start/stop button to start the unit. Open the door on the remote control, press the 2ndF button and, press display luminosity button.

Display will be dark. Press the button again to set bright display.

## Forced operation

Operation procedures when the remote control can't be used.  
The operation will be started if the ON/OFF button is pressed.  
If you want to stop operation, re-press the button.



|                     | Cooling Model        | Heat pump Model                      |   |                                   |
|---------------------|----------------------|--------------------------------------|---|-----------------------------------|
|                     |                      | Room Temp. $\geq 24^{\circ}\text{C}$ | $21^{\circ}\text{C} \leq$ Room Temp. $< 24^{\circ}\text{C}$ | Room Temp. $< 21^{\circ}\text{C}$ |
| Operating mode      | Cooling              | Cooling                              | Healthy Dehumidification                                    | Heating                           |
| Indoor FAN Speed    | High                 | High                                 | High  | High                              |
| Setting Temperature | $22^{\circ}\text{C}$ | $22^{\circ}\text{C}$                 | $23^{\circ}\text{C}$  | $24^{\circ}\text{C}$              |

## Test operation

During the TEST OPERATION, the unit operates in cooling mode at high speed fan, regardless of room temperature and resets in 18 minutes.

During test operation, if remote controller signal is received, the unit operates as remote controller sets.

If you want to use this operation, Press and hold the ON/OFF button for 3~5 seconds, then the buzzer sound 1 "beep".

If you want to stop the operation, re-press the button.

## Sleep Mode

1. Press the SLEEP MODE AUTO BUTTON to set the time when you want the unit to stop automatically.
2. The timer is programmed in one-hour increments by pressing the SLEEP MODE AUTO BUTTON 1 to 7 times. The sleep mode is available for 1 to 7 times. To alter the time period in steps of 1 hour, press the SLEEP MODE AUTO BUTTON while aiming at air conditioner.
3. • **(In case of non-Inverter Model)**  
Make sure the sleep mode LED lights up.  
To cancel the sleep mode, press the SLEEP MODE AUTO BUTTON several times until the sleep mode LED lights off.  
• **(In case of Inverter Model)**  
Make sure the Timer LED lights up.  
To cancel the sleep mode, press the SLEEP MODE AUTO BUTTON several times until the Timer LED lights off.



### NOTE

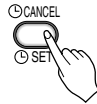
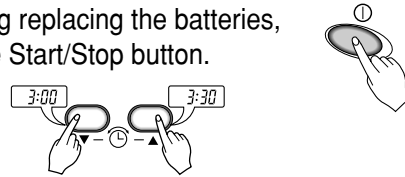
- The sleep mode will operate indoor fan at slow speed in cooling mode and at medium speed in heating mode for pleasant sleep.
- Art Cool and Art Cool Wide (non-Deluxe) close the lower discharge partially in sleep mode for pleasant sleep.

### In cooling mode or healthy dehumidification mode:

The setting temperature will rise automatically two times by 1°C over next consecutive 30 minutes (2°C in 1 hour) for a comfortable sleep. Now this will be the final setting temperature as long as sleep mode is functioning.

## Setting the Current Time

1. Time can be set only when you press the RESET BUTTON. Having replacing the batteries, you should press the RESET BUTTON to reset the time. Press the Start/Stop button.
2. Press 2nd F button and check if **2<sup>nd</sup>F** icon is on.
3. Press the TIME SETTING BUTTONS until the desired time is set.
4. Press the TIME SET/CANCEL BUTTON.

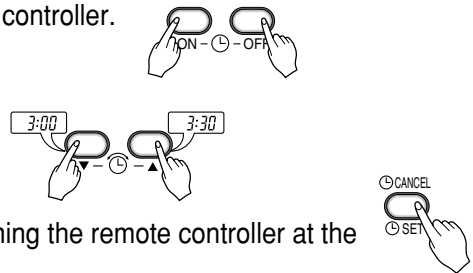


### NOTE

Check the indicator for A.M. and P.M.

## Timer Setting

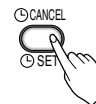
1. Make sure to set current time correctly on the display of the remote controller.
2. Press 2nd F button.
3. Press the ON/OFF TIMER BUTTONS to turn timer on or off.
4. Press the TIME SETTING BUTTONS until the desired time is set.
5. To set the selected time, press the TIMER SETTING BUTTONS aiming the remote controller at the signal receptor.



### To cancel the timer setting

Check if **2<sup>nd</sup>F** icon is off.

Press the TIMER CANCEL BUTTON aiming the remote controller at the signal receptor. (The timer lamp on the air conditioner and the display will go off.)



### NOTE

Select one of the following four types of operation.



Delay off timer



Delay on timer



Delay off and on timer



Delay on and off timer



## Vertical / Horizontal Airflow Direction Control (Optional)

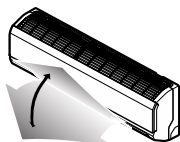
The up/down airflow (Vertical airflow) can be adjusted by using the remote controller.


1. Press the START/STOP BUTTON to start the unit.

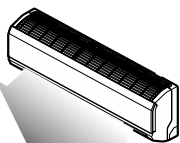
2. Press CHAOS SWING BUTTON.



3. The louvers will swing up & down automatically.



4. To stop the louver at a desired angle, press  again



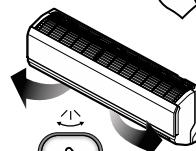
The left/right(Horizontal airflow) can be adjusted by using the remote control.

1. Press the START/STOP BUTTON to start the unit.

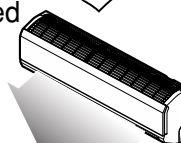
2. Press the HORIZONTAL AIRFLOW DIRECTION BUTTON.



3. The louvers will swing left & right automatically.



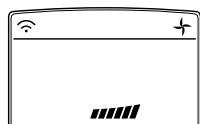
4. To stop the louvers at a desired angle, press  again.



### NOTE

- By pressing the CHAOS SWING BUTTON the horizontal air flow direction is changed automatically based on the chaos algorithm to distribute the air in the room evenly and at the same time to make the human body feel most comfortable as if enjoying natural breeze.
- Always use the remote controller to adjust the up and down air flow direction. Manually moving the vertical air flow direction louver by hand could damage the mechanism. When the unit is shut off, the up/down airflow direction louver will close the air outlet vent of the system.

## Air Circulation Mode



This operation circulates the air without cooling or heating. It can be activated by pressing the AIR CIRCULATION BUTTON. Once the air circulation is activated you can select the air speed by pressing the INDOOR FAN SPEED SELECTOR BUTTON.



### NOTE

CHAOS Air economizes power consumption and prevents overcooling. The fan speed is automatically changed from high to low or vice versa, depending on the ambient temperature.

- In case of inverter type models where there is no AIR CIRCULATION BUTTON, air circulation can be operated by pressing the PLASMA BUTTON.

## Auto Restart Function

This function is useful in the situation of power failure.

When power regains after a failure this feature restore the previous operating condition and the air conditioner will run in the same settings.

### NOTE

This feature is enabled by factory default setting, but you can disable it by pressing the ON/OFF button for 6 seconds. The unit will beep twice and the indicator lamp(2) will blink 4 times.

To enable it, press the button again for 6 seconds. The unit will beep twice and the indicator lamp(1) will blink 4 times.





# Maintenance and Service

## ⚠ CAUTION

Before performing any maintenance, turn off the main power to the system, disconnect the circuit breaker and unplug the power cord.

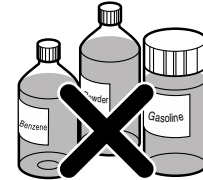
### Indoor Unit

Clean the unit with a soft dry cloth. Do not use bleach or abrasives.

## ⚠ CAUTION

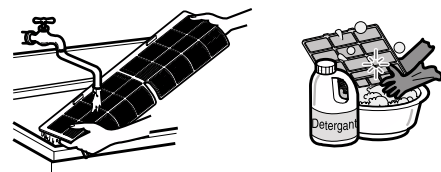
Never use any of these

- Water hotter than 40°C. It may cause deformation and discoloration.
- Volatile substances. They may damage the surface of the air conditioner.



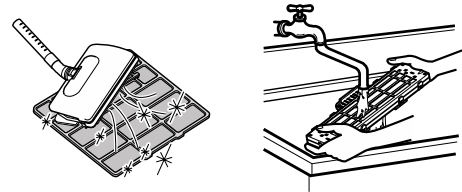
### Air Filters

The air filters behind the front panel / grill should be checked and cleaned once in every 2 weeks or more often if necessary. To remove the filters see the self explanatory diagrams for each model type. Clean the filters with a vacuum cleaner or warm soapy water. If dirt is not easily removed, wash with a solution of detergent in luke warm water. Dry well in shade after washing and reinstall the filters back in place.



### Plasma Filters

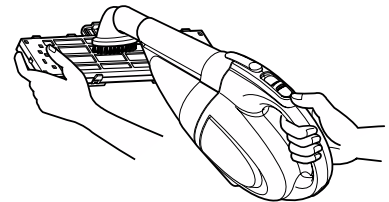
The plasma filters behind the air filter should be checked and cleaned once in every 3 months or more often if necessary. To remove the filters see the self explanatory diagrams for each model type. Clean the filters with a vacuum cleaner. If it is dirty wash it with water and dry well in shade and install back in place.



### Deodorizer Filters

Remove the deodorizer filters behind the air filter and expose them in direct sunlight for 2 hours.

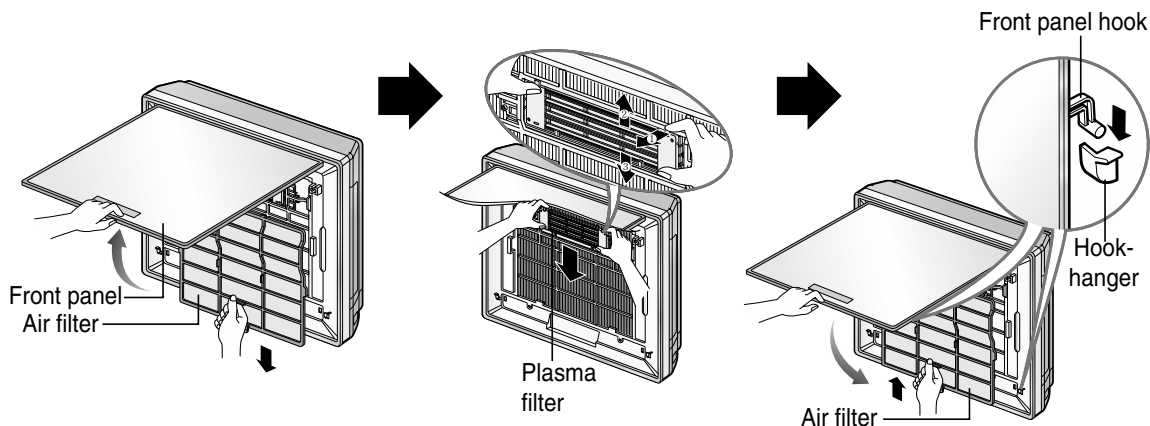
And then insert these filters into original position.



### Removal of Filters

#### 1. Art Cool Type :

Pull down the grille bottom, after lifting out the filter tab a bit and take the filter out slowly. Remove the plasma filter as shown. After cleaning and drying well reinstall the filter and grille by matching the hook.



#### 2. Art Cool Type Wide :

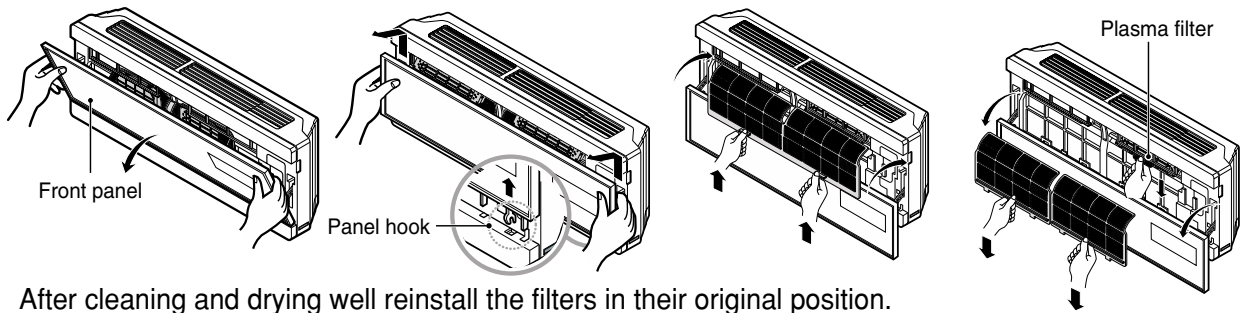
The procedure of removal of filters is same as in Art Cool Type model as shown above.

## ⚠ CAUTION

Don't touch this plasma filter within 10 seconds after opening the inlet grille, it may cause an electric shock.

**3. Deluxe (Type 1):**

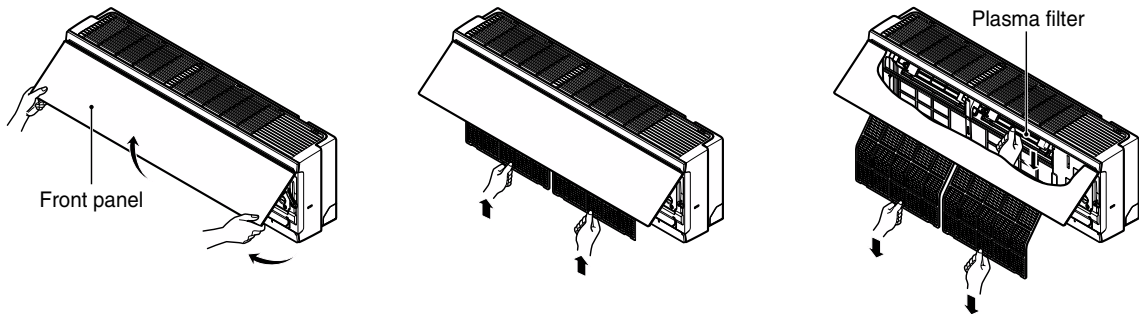
Open the upside of the panel and lift it up as shown. The hooks of the panel will come off. Remove the air filters. Then pull out the plasma filter



After cleaning and drying well reinstall the filters in their original position.

**4. Deluxe (Type 2):**

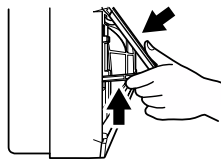
Open the front panel as shown. Then pull the filter tab slightly forward to remove the air filter. After removing the air filter remove the plasma and deodorizer filter by slightly pulling forward.



**How to use the front panel**

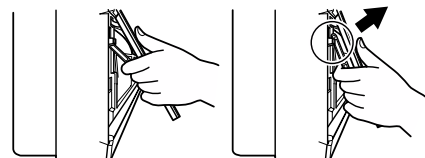
**1. Front panel closing**

Move the link upward and close the front panel.



**2. Front panel removing**

Raise the link up to hook hanger and remove front panel forward.

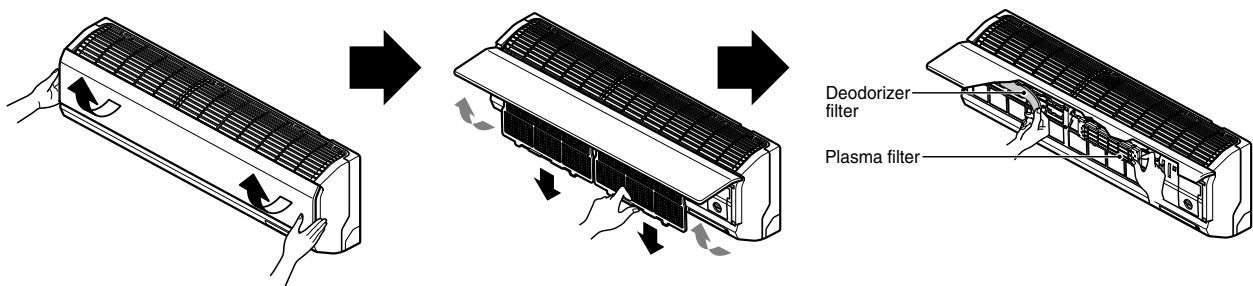


**5. Standard Split Type : Two different methods to open the front panel based on types of air conditioner as below ;**

**Type 1:** Open the front panel as shown.

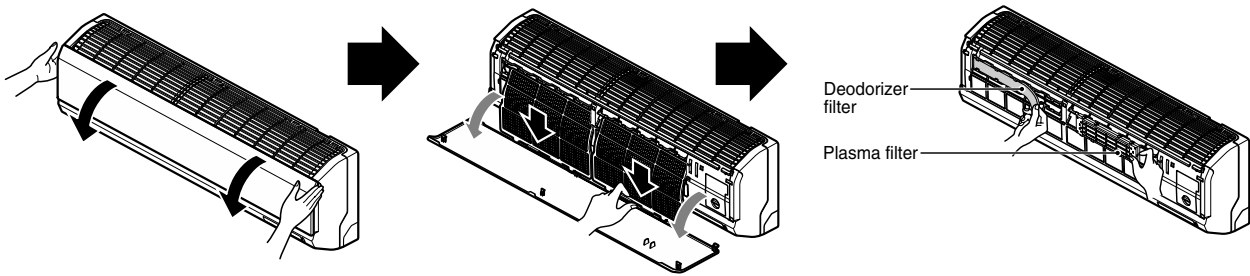
Then pull the filter tab slightly forward to remove the air filter.

After removing the air filter remove the plasma and deodorizer filter by slightly pulling forward.



**Type 2:** Pull the front panel from both sides as shown.

Then pull the filter tab slightly forward to remove the filter. After removing the air filter remove the plasma and triple deodorizer filter by slightly pulling forward.



**CAUTION**

Don't touch this plasma filter within 10 seconds after opening the inlet grille, it may cause an electric shock.

**Outdoor Unit**

The heat exchanger coils and panel vents of the outdoor unit should be checked regularly. If clogged with dirt or soot, the heat exchanger and panel vents may be professionally steam cleaned.

**NOTE**

Dirty or clogged coils will reduce the operating efficiency of the system and cause higher operating costs.

**Operation Tips!**

**Do not overcool the room.**

This is not good for the health and wastes electricity.

**Keep blinds or curtains closed.**

Do not let direct sunshine enter the room when the air conditioner is in operation.

**Keep the room temperature uniform.**

Adjust the vertical and horizontal airflow direction to ensure a uniform temperature in the room.

**Make sure that the doors and windows are shut tight.**

Avoid opening doors and windows as much as possible to keep the cool air in the room.

**Clean the air filter regularly.**

Blockages in the air filter reduce the airflow and lower cooling and dehumidifying effects. Clean at least once every two weeks.

**Ventilate the room occasionally.**

Since windows are kept closed, it is a good idea to open them and ventilate the room now and then.

**Use high fan speed for effective and fast cooling.**

The unit gives its rated cooling capacity when the fan speed is high.

**Self-Diagnosis Function**

This unit has an inbuilt error diagnosis capability. Unit LED (Ⓛ) will blink in case if thermistor fails. Please contact your serviceman/dealer in such a situation

| Error Display LED (Ⓛ) | Check Point  |
|-----------------------|--|
| <p>(once)</p>         | <ul style="list-style-type: none"> <li>Indoor room temperature thermistor open/short.</li> <li>Indoor pipe temperature thermistor open/short.</li> </ul> |

**Troubleshooting Tips! Save time and money!**

**The air conditioner may be operating abnormally when:**

| <i>Problem</i>                             | <i>Possible Causes</i>                           | <i>What To Do</i>   |
|--|--|---|
| Air conditioner does not start             | ■ The air conditioner is unplugged.              | • Make sure the air conditioner plug is pushed completely into the outlet.  |
|  | ■ The fuse is blown/circuit breaker is tripped.  | • Check the house fuse/circuit breaker box and replace the fuse or reset the breaker.   |
|  | ■ Power failure.                                 | • If power failure occurs, turn the mode control to OFF.<br>When power is restored, wait 3 minutes to restart the air conditioner to prevent tripping of the compressor overload. |
|  | ■ High voltage.                                  | • If the voltage is unusually very high or low the circuit Breaker will trip.   |
| Air conditioner does not cool as it should | ■ Airflow is restricted.                         | • Make sure there are no curtains, blinds, or furniture blocking the front of the air conditioner.  |
|  | ■ The air filter is dirty.                       | • Clean the filter at least every 2 weeks. See the Maintenance and Service section.   |
|  | ■ The room may have been hot.                    | • When the air conditioner is first turned on, you need to allow time for the room to cool down.  |
|  | ■ Cold air is escaping.                          | • Check for open furnace floor registers and cold air returns.  |
|  | ■ Check the temperature settings.                | • Make sure they are correct.   |
|  | ■ There might be any heating source in the room. | • Check and remove such source or turn it off while using the air conditioner.  |

**Call the service immediately in the following situations**

1. Anything abnormal such as burning smell, loud noise etc. happen. Stop the unit and turn the breaker off. Never try to repair by yourself or restart the system in such cases.
2. Main power cord is too hot or damaged.
3. Error code is generated by self diagnosis.
4. Water leaks from indoor unit even if the humidity is low.
5. Any switch, breaker (safety, earth) or fuse fails to work properly

**User must carry routine checkup & cleaning to avoid unit's poor performance. In case of special situation, the job must be carried out by service person only.**

دليل المالك

# جهاز تكييف الهواء

يرجى الاطلاع على دليل المالك هذا جيدًا قبل تشغيل جهازك والاحتفاظ به للرجوع إليه في المستقبل.

النوع: للتركيب على الحائط

# جدول المحتويات

## لسجلاتك



اكتب رقم موديل الجهاز ورقمه المسلسل هنا:

رقم الموديل

الرقم المسلسل

تستطيع التعرف عليهما من الملصق الموجود على جانب كل وحدة.

اسم الموزع

تاريخ الشراء

■ أرفق الإيصال بهذه الصفحة لاحتمال ضرورة إثبات تاريخ الشراء إن ظهرت أمور تتعلق بالضمان.

## اقرأ هذا الدليل



ستجد بالداخل الكثير من الإرشادات المفيدة بخصوص كيفية استخدام مكيف الهواء وصيانته بشكل صحيح. فالقليل من العناية الوقائية من جهتك يكفي لتوفير الكثير من وقتك ومالك طوال فترة استخدام مكيف الهواء.

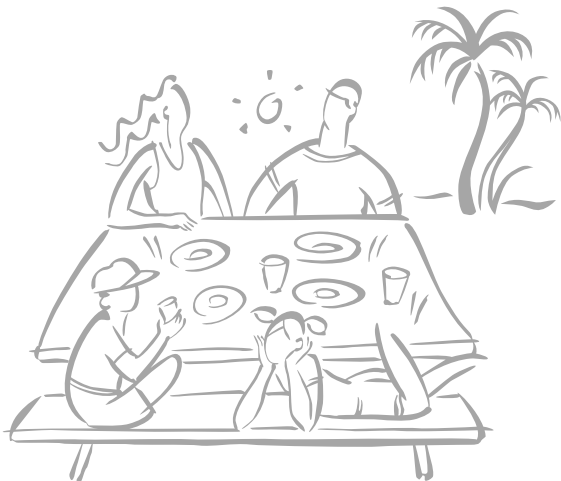
ستجد الكثير من الإجابات على المشكلات الشائعة في جدول إرشادات اكتشاف الأعطال وإصلاحها.

إن اطلعت على جدول إرشادات اكتشاف الأعطال وإصلاحها أولاً، قد لا تحتاج أبداً إلى الاتصال بمركز الخدمة.

## تنبيه



- اتصل بفني الخدمة المعتمد لإصلاح أو صيانة الجهاز.
- اتصل بفني التركيب لتركيب هذه الوحدة.
- مكيف الهواء غير مخصص للاستخدام من قبل الأطفال الصغار بدون إشراف.
- يجب مراقبة الأطفال الصغار للتأكد من عدم عبثهم بمكيف الهواء.
- عند ضرورة استبدال سلك الكهرباء، يجب أن يقوم الشخص المعتمد بعملية الاستبدال مستخدماً فقط قطع الغيار الأصلية.



|  |    |
|--|----|
| أ. احتياطات السلامة                                  | ٣  |
| ب. السلامة مع الكهرباء                               | ٦  |
| الاستخدام المؤقت للمحول                              | ٦  |
| الاستخدام المؤقت لسلك التمديد                        | ٦  |
| الرموز المستخدمة في هذا الدليل                       | ٦  |
| ج. مقدمة إلى المنتج                                  | ٧  |
| الوحدات الداخلية                                     | ٧  |
| مصاييح بيان العمليات                                 | ٨  |
| الوحدة الخارجية                                      | ٨  |
| د. تعليمات التشغيل                                   | ٩  |
| كيفية تركيب البطاريات                                | ٩  |
| صيانة جهاز التحكم عن بعد                             | ٩  |
| اللاسلكي   | ٩  |
| طريقة التشغيل  | ٩  |
| جهاز التحكم عن بعد اللاسلكي                          | ١٠ |
| وضع التشغيل  | ١١ |
| عملية التخلص الصحي من الرطوبة                        | ١٢ |
| التشغيل الآلي  | ١٢ |
| (موديل التبريد فقط)                                  | ١٢ |
| عملية التبديل الآلي                                  | ١٢ |
| (موديل مضخة الحرارة)                                 | ١٢ |
| عملية التبريد/التسخين السريع                         | ١٣ |
| عملية التنقية نيو بلازما                             | ١٣ |
| (اختيارية)   | ١٣ |
| التنظيف الآلي (اختياري)                              | ١٣ |
| وضع التبريد الموفر للطاقة                            | ١٤ |
| (اختياري)  | ١٤ |
| التشغيل الإجباري                                     | ١٤ |
| وضع النوم  | ١٥ |
| ضبط الوقت الحالي                                     | ١٦ |
| ضبط المؤقت   | ١٧ |
| التحكم في اتجاه تيار الهواء العمودي/الأفقي (اختياري) | ١٦ |
| وضع دوران الهواء                                     | ١٦ |
| وظيفة إعادة التشغيل الآلي                            | ١٦ |
| هـ. الصيانة والخدمة                                  | ١٧ |
| الوحدة الداخلية                                      | ١٧ |
| الوحدة الخارجية                                      | ١٩ |
| إرشادات التشغيل!                                     | ١٩ |
| وظيفة التشخيص الذاتي                                 | ١٩ |
| إرشادات اكتشاف الأعطال وإصلاحها!                     | ٢٠ |
| توفير الوقت والمال!                                  | ٢٠ |
| اتصل بمركز الخدمة فوراً في                           | ٢٠ |
| المواقف التالية                                      | ٢٠ |



# احتياطات السلامة

لتجنب إصابة المستخدم أو أي أشخاص آخرين أو تلف الممتلكات، يجب اتباع التعليمات التالية.  
 ■ التشغيل غير الصحيح بسبب تجاهل التعليمات سيؤدي إلى الإصابة أو تلف الممتلكات.  
 لقد تم تصنيف درجة الخطورة وفق البيان التالي.

**تحذير** ⚠️

يشير هذا الرمز إلى احتمال الوفاة أو الإصابة الخطيرة.

**تنبيه** ⚠️

يشير هذا الرمز إلى احتمال الإصابة أو تلف الممتلكات.

■ المقصود بكل رمز مستخدم في هذا الدليل موضح فيما يلي.



**احرص على عدم فعل ذلك**



**احرص على اتباع التعليمات.**

## تحذير

استخدم دائماً على استخدام  
فيسه ومعنيس متصل بطرف  
أرضي.

• هناك خطر الإصابة بصدمة كهربائية.

لا تستخدم معنح قاطع به حبل أو  
دون العنمة المناسبة. استخدم  
معنح قطع وقبور بعنمة صححه.

• هناك خطر وقوع حريق أو الإصابة  
بصدمة كهربائية.

لا تستخدم المشترك.  
دائماً استخدم هذا الجهاز في  
دارة ومع ومفتاح قطع منفصل خاصان به.

• وإلا قد يؤدي ذلك إلى وقوع حريق أو  
الإصابة بصدمة كهربائية.

بالنسبة لأعمال الكهرباء، اتصل  
بالموزع أو البائع أو الفني المختص  
أو مركز الخدمة المعتمد. لا تقم  
بفك المنتج أو إصلاحه بنفسك.

• هناك خطر وقوع حريق أو الإصابة  
بصدمة كهربائية.

تأكد دائماً بتوصيل المنتج بالأرضي وفق  
الرسم التوضيحي للأسلاك. لا تصل سلك  
الأرضي بأنابيب الغاز أو المياه أو مانع  
الصواعق أو سلك الأرضي الخاص بالهاتف.

• هناك خطر وقوع حريق أو الإصابة  
بصدمة كهربائية.

قم بتركيب اللوحة وغطاء صندوق  
التحكم بإحكام.

• هناك خطر وقوع حريق أو الإصابة بصدمة  
كهربائية بسبب الأتربة أو المياه أو غيرها.

استخدم معنح قطع أو فيوز  
بقيمة صحيحة.

• هناك خطر وقوع حريق أو الإصابة  
بصدمة كهربائية.

لا تقم بتعديل أو تمديد سلك الكهرباء،  
إن كانت هناك خدوش على سلك  
الكهرباء، أو إن كان الغطاء متهاكاً  
أو غير موجود، عندها يلزم تغييره.

• هناك خطر وقوع حريق أو الإصابة  
بصدمة كهربائية.

بالنسبة لأعمال التركيب  
أو الإزالة أو إعادة التركيب،  
اتصل دائماً بالموزع أو مركز  
الخدمة المعتمد.

• هناك خطر وقوع حريق أو الإصابة  
بصدمة كهربائية أو الانفجار أو الجروح.

لا تقم بتركيب المنتج على منصة  
تركيب بها خلل.  
تأكد من عدم تهالك منطقة  
التركيب بمرور الوقت.

• فقد يؤدي ذلك إلى سقوط المنتج.

في حالة أنغمار المنتج  
(كلياً أو جزئياً) بالماء، اتصل  
بمركز الخدمة المعتمد لإصلاحه  
قبل استخدامه مرة أخرى.

• هناك خطر وقوع حريق أو الإصابة  
بصدمة كهربائية.

لا تقم أبداً بتركيب الوحدة  
الخارجية على قاعدة متحركة  
أو في مكان معرضة  
للسقوط منه.

• إن سقوط الوحدة الخارجية قد يؤدي  
إلى وقوع تلفيات أو الإصابة أو يؤدي  
إلى وفاة أي شخص.

تأكد من استخدام فقط القطع  
المحددة في قائمة قطع الغيار.  
لا تحاول أبداً القيام بأي تعديل  
في الجهاز.

• إن استخدام قطع غيار غير مناسبة  
قد يؤدي إلى صدمة كهربائية  
أو انبعاث للحرارة بقدر كبير أو الحريق.

عند تركيب الوحدة، استخدم  
أدوات التركيب المرفقة مع  
المنتج.

• وإلا قد تسقط الوحدة وتتسبب في  
إصابات بالغة.

في الوحدة الخارجية يزود المكثف المكونات  
الكهربائية الأخرى بكهرباء بجهد عال.  
تأكد من تفريغ شحنة المكثف تماماً  
قبل القيام بأعمال الإصلاح.

• فالمكثف المشحون قد يؤدي إلى  
صدمة كهربائية.

تأكد من فحص كون فيشة كابل الكهرباء غير متسخة، أو غير مربوطة بإحكام أو غير مكسورة، فقط عند إذ أدخل الفيشة بإحكام.

- ففيشة الكهرباء المتسخة أو المكسورة أو غير المحكمة قد تتسبب في صدمة كهربائية أو حريق.

لا تلمس أو تشغل أو تصلح المنتج بأيدي مبللة. امسك الفيشة باليد عند إخراجها.

- هناك خطر وقوع حريق أو الإصابة بصدمة كهربائية.

لا تحتفظ أو تستعمل أو تسمح بوجود غاز قابل للاشتعال أو مواد قابلة للاحتراق بالقرب من المنتج.

- فقد يؤدي ذلك إلى حريق.

إن صدر من المنتج أصوات غريبة أو رائحة أو دخان، قم فوراً بإيقاف مفتاح القطع أو افصل كابل التيار الكهربائي.

- هناك خطر وقوع حريق أو الإصابة بصدمة كهربائية.

في حالة عدم استخدام المنتج لفترة طويلة، يجب فصل فيشة التيار الكهربائي أو إيقاف مفتاح القطع.

- هناك خطر تلف المنتج أو توقفه عن العمل أو تشغيله بصورة غير مقصودة.

لا تضع أي شيء فوق كابل الكهرباء.

- هناك خطر وقوع حريق أو الإصابة بصدمة كهربائية.

في حالة تسرب غاز قابل للاشتعال، افصل الغاز وافتح النوافذ للتهوية قبل تشغيل المنتج.

- لا تستخدم الهاتف أو تشغل أي مفتاح تشغيل. فقد تتعرض لوقوع انفجار أو حريق.

لا توصل أو تفصل فيشة التيار الكهربائي بهدف تشغيل الوحدة أو إيقاف تشغيلها.

- هناك خطر وقوع حريق أو الإصابة بصدمة كهربائية.

## تنبيه

قم بتركيب خرطوم التصريف لتأكد من تصريف الماء المتكثف بعيداً بشكل مناسب.

- التوصيلة غير السليمة قد تؤدي إلى تسرب الماء.

افحص دائماً تسرب الغاز (المادة المبردة) بعد تركيب المنتج أو إصلاحه.

- نقص مستوى المادة المبردة يعطل عمل المنتج.

لا تقم بتركيب المنتج في مكان معرض لرياح البحر (رذاذ ملحي) مباشرة.

- فقد يؤدي ذلك إلى تكون الصدأ على المنتج.

لا تقم بتركيب المنتج في مكان قد يؤدي الصوت أو الهواء الساخن الصادر من الوحدة الخارجية إلى تلف ممتلكات الجيران أو إزعاجهم.

- فقد تحدث مشكلات ومنازعات بينك وبين الجيران.

توصيلات الأسلاك الداخلية أو الخارجية يجب أن تربط بإحكام ويجب توجيه الكابل بشكل صحيح بحيث لا يتم استخدام القوة أثناء سحب الكابل من نقاط التوصيلات.

- فالتوصيلات غير الصحيحة أو غير المربوطة بإحكام قد تتسبب في انبعاث الحرارة أو الحريق.

تأكد من فحص المادة المستعملة في التبريد. من فضلك اقرأ الملصق الموجود على المنتج.

- فوجود مادة تبريد غير مناسبة يمنع الوحدة من العمل بشكل صحيح.

لا تضع سخان أو أي أجهزة تسخين أخرى بجوار كابل الكهرباء.

- هناك خطر وقوع حريق أو الإصابة بصدمة كهربائية.

لا تستخدم المنتج في مكان محكم الإغلاق لفترة طويلة. يجب الاهتمام بالتهوية بانتظام.

- فقد يحدث نقص في الأوكسجين ويؤثر ذلك على الصحة.

يلزم تهوية الغرفة الموجود بها المنتج من أن لآخر في حالة تشغيل المنتج في وجود موقد أو أي جهاز تسخين.

- فقد يحدث نقص في الأوكسجين ويؤثر ذلك على الصحة.

احرص على التأكد من عدم وقوف أي شخص خاصة الأطفال على الوحدة الخارجية أو السقوط عليها.

- فقد يؤدي ذلك إلى الإصابة أو تلف المنتج.

هذا المنتج لا بد أن يحمله شخصين أو أكثر لنقله.

- تجنب الإصابة.

احتفظ بالمستوى متساوياً عند تركيب المنتج.

- لتجنب الاهتزاز أو صدور أصوات.



استعمل قطعة قماش ناعمة في التنظيف.  
لا تستعمل منظفات قوية أو مذيبات أو قطرات الماء وغيرهم.

• هناك خطر وقوع حريق أو صدمة كهربائية أو تلف القطع البلاستيكية بالمنتج.

دائماً أدخل الفلتر بإحكام بعد تنظيفه. نظف الفلتر كل أسبوعين أو أقل إذا لزم الأمر.

• الفلتر غير التنظيف يقلل من كفاءة التشغيل.

إن تسرب غاز التبريد أثناء أعمال الإصلاح، لا تلمس غاز التبريد المتسرب.

• قد يتسبب غاز التبريد قزمة الصقيع (عضة الجليد)

إن تسرب غاز التبريد أثناء التركيب، يجب تهوية المنطقة فوراً.

• وإلا قد يضر ذلك بالصحة.

لا تعد شحن البطاريات أو فكها.  
لا تتخلص من البطاريات في النار.

• فقد تحترق أو تنفجر.

لا تعرض جلدك أو الأطفال أو النباتات لتيار هواء بارد أو ساخن.

• قد يؤدي ذلك لصحتك.

استعمل كرسي أو سلم قوي عند تنظيف أو صيانة أو إصلاح المنتج إن كان في مكان مرتفع.

• كن حذراً وتجنب الإصابة.

لا تعيق أبداً مسار تيار الهواء الداخل أو الخارج.

• قد يعطل ذلك عمل المنتج.

لا تقف أو نضع أي شيء على المنتج. (الوحدات الخارجية)

• قد تحدث إصابة أو بتعطل المنتج عن العمل.

كن حذراً عند إخراج المنتج من التغليف وتركيبه.

• قد تتسبب الحواف الحادة في وقوع إصابات.

لا تخلط بين هواء أو غاز بخلاف مادة التبريد المحدد المستخدم في النظام.

• إذا دخل الهواء داخل نظام التبريد، سينتج عن ذلك ضغط عالي للغاية يتسبب في تلف الجهاز أو الإصابة.

استبدل كل البطاريات الموجودة في جهاز التحكم عن بعد بأخرى جديدة من نفس النوع.  
لا تجمع بين البطاريات القديمة والجديدة أو بين أنواع مختلفة من البطاريات.

• هناك خطر وقوع حريق أو تعطل المنتج عن العمل.

لا تسمح بتشغيل مكيف الهواء لفترة طويلة حينما تكون درجة الرطوبة عالية وقد ترك الباب أو النافذة مفتوحاً.

• قد تتكثف الرطوبة وتبلل أو تلف الأثاث.

لا تستعمل المنتج في أغراض خاصة، كحفظ الأغذية أو الأعمال الفنية وغيرها. فهو مكيف هواء استهلاكي وليس نظام للتبريد أو الحفظ.

• قد يؤدي ذلك إلى تلف المنتج أو فقدانه.

لا تلمس القطع المعدنية بالمنتج عند نزع فلتر الهواء.

• فقد يؤدي ذلك إلى إصابات.

لا تدخل يديك أو أي أشياء أخرى خلال فتحات دخول أو خروج الهواء أثناء تشغيل المنتج.

• هناك قطع حادة ومتحركة قد تؤدي إلى إصابتك.

لا تميل الوحدة عند فك تركيبها.

• فقد ينسكب الماء المتكثف بالداخل.

عملية فك الجهاز ومعالجة زيت التبريد والتعامل مع القطع الداخلية لا بد أن يتم وفق المقاييس المحلية والوطنية.

إن لامس السائل الخارج من البطاريات جلدك أو ملابسك، اغسله جيداً بماء نظيف.  
لا تستعمل جهاز التحكم عن بعد إن حدث تسرب في البطاريات.

• المواد الكيماوية داخل البطاريات قد تتسبب في حرقك أو مخاطر صحية أخرى.

لا تشرب الماء الخارج من المنتج.

• فهو غير صحي وقد يؤدي إلى مشكلات صحية.

# السلامة مع الكهرباء

## ⚠ تحذير

- يجب توصيل هذا الجهاز بالأرضي.
- لتقليل احتمال خطر الصدمات الكهربائية، عليك دائماً التوصيل بمصدر تيار موصل بالأرضي.
- لا تقطع أو تنزع طرف الأرضي من فيشة التيار الكهربائي.
- إن توصيل طرف الأرضي للمحول ببرغي غطاء مقبس الحائط لا يوصل الجهاز بالأرضي إلا إذا كان برغي الغطاء مصنوع من المعدن وغير معزول وكان مقبس الحائط موصل بالأرضي عبر أسلاك المنزل.
- إن كان لديك أي شك بشأن توصيل مكيف الهواء بالأرضي، استدع فني متخصص لفحص مقبس الحائط والدائرة.

## الاستخدام المؤقت للمحول

نحن لا نشجع أبداً استعمال المحول بسبب احتمال وقوع المخاطر. بالنسبة للتوصيلات المؤقتة، استعمل فقط محولاً أصلياً، وهو متوفر في أكثر محلات الأجهزة الكهربائية. تأكد من أن الفتحة الكبيرة بالمحول معاذية للفتحة الكبيرة في المقبس ليتم التوصيل بنجاح. لفصل سلك الكهرباء من المحول، استعمل يد واحدة على كل واحد لتجنب إتلاف طرف الأرضي. تجنب فصل سلك التيار بشكل متكرر لأن ذلك يؤدي تلف طرف الأرضي.

## ⚠ تحذير

- لا تستعمل الجهاز أبداً مع محول مكسور.

## الاستخدام المؤقت لسلك التمديد

نحن لا نشجع أبداً استعمال أي تمديد للسلك بسبب احتمال وقوع مخاطر. في الحالات المؤقتة، استعمل تمديدات الأسلاك المرخصة من قبل CSA و من النوع UL listed 3-wire والتي تبلغ قيمتها ١٥ أمبير، ١٢٥ فولت.

## ⚠ تحذير

يجب تركيب هذا الجهاز وفق قوانين تركيب الأسلاك المحلية. يعمل هذا الكتيب كدليل ليساعدك في فهم خصائص المنتج.

## الرموز المستخدمة في هذا الدليل

هذا الرمز ينبهك إلى وجود خطر صدمة كهربائية.



هذا الرمز ينبهك إلى مخاطر قد تؤدي مكيف الهواء.



هذا الرمز يشير إلى ملاحظات خاصة

**ملاحظة**

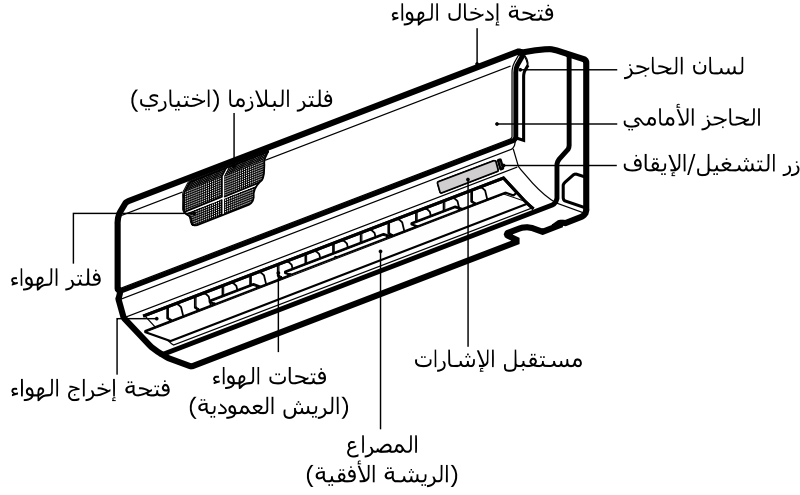
## مقدمة عن المنتج

هذه مقدمة موجزة للوحدات الداخلية والخارجية. من فضلك راجع المعلومات الخاصة بنوع الوحدة الداخلية الخاصة بك.

### الوحدات الداخلية

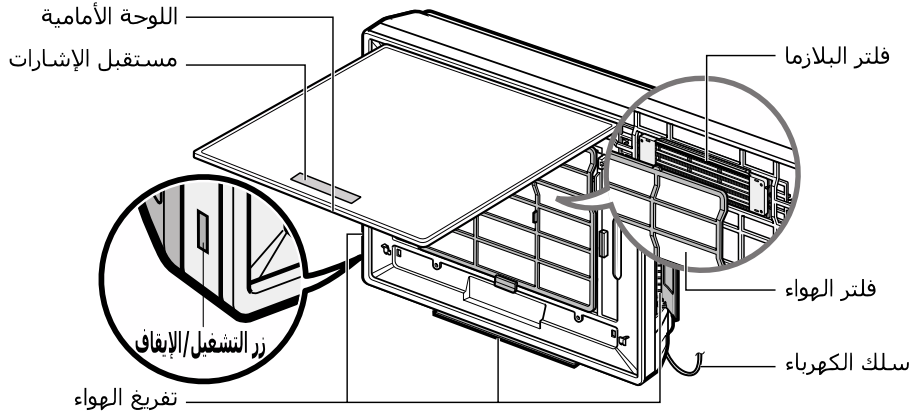
#### النوع المنقسم التقليدي

مصباح بيان لوحة العرض



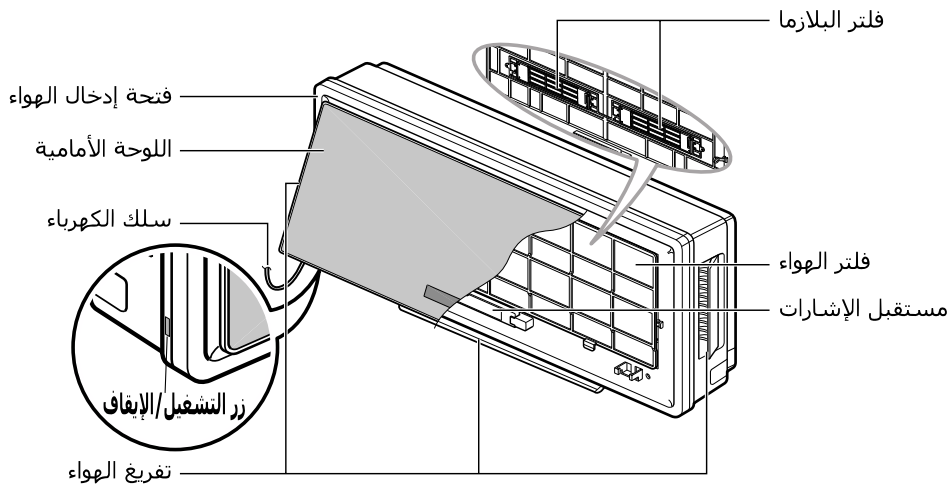
#### نوع التبريد الفني

مصباح بيان لوحة العرض

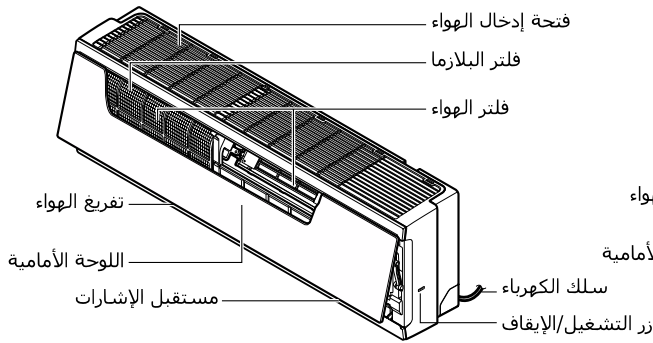


#### نوع التبريد الفني العريض

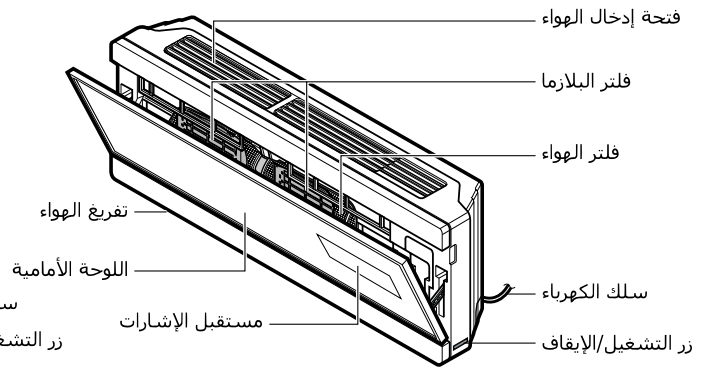
مصباح بيان لوحة العرض



## نوع التبريد الفني الفاخر (النوع ٢) مصباح بيان لوحة العرض



## نوع التبريد الفني الفاخر (النوع ١) مصباح بيان لوحة العرض



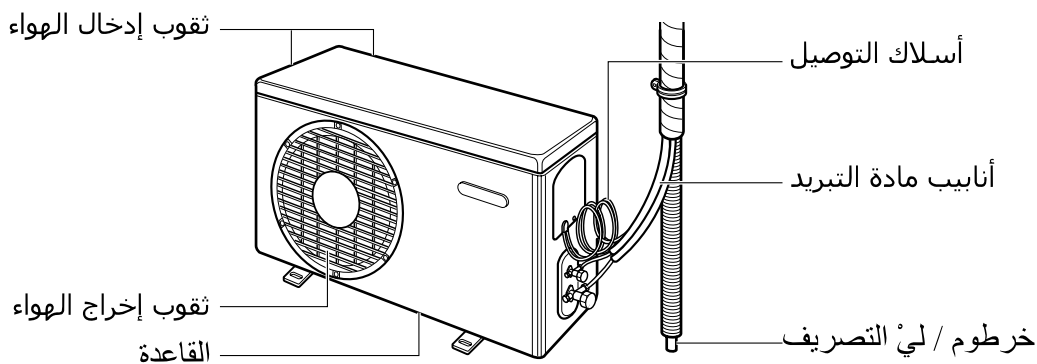
## مصباح بيان التشغيل

- تشغيل/إيقاف : يضيء أثناء تشغيل النظام، وكود الخطأ، وإعدادات إعادة التشغيل الآلي. ①
- وضع النوم : يضيء أثناء التشغيل الآلي لوضع النوم. (الموديل غير المحول) ☆
- وضع التبريد الموفر : يضيء أثناء وضع التبريد الموفر لاستهلاك الطاقة  
لاستهلاك الطاقة (الموديل المحول فقط) ⚡
- بلازما : تعرض الوظيفة الوضع الديناميكي لها باستخدام نظام متعدد الإضاءة. 🌊/🌊
- المؤقت : يضيء التشغيل الآلي لوضع النوم. (الموديل غير المحول) ⌚
- وضع إزالة الصقيع : يضيء أثناء وضع إزالة الصقيع أو \*البداية الساخنة (موديل مضخة الحرارة فقط) ❄️
- تشغيل الوحدة : يضيء أثناء تشغيل الوحدة الخارجية. (موديل التبريد فقط). OUT DOOR / 🌀
- شاشة الطاقة : تشير إلى درجة حرارة الإعداد ووضع التشغيل. 88

| وضع التشغيل | وضع التبريد،<br>إزالة<br>الرطوبة | وضع التشغيل التلقائي |      |       |      | قياسي | وضع التبريد،<br>إزالة<br>الرطوبة | وضع<br>التشغيل |
|-------------|----------------------------------|----------------------|------|-------|------|-------|----------------------------------|----------------|
|             |                                  | بارد<br>للغاية       | بارد | ملائم | ساخن |       |                                  |                |
| Co          | Lo                               | Lo                   | Lo   | Lo    | Lo   | Lo    | Lo                               | Lo             |
| Co          | Lo                               | Lo                   | Lo   | Lo    | Lo   | Lo    | Lo                               | Lo             |
| Co          | Lo                               | Lo                   | Lo   | Lo    | Lo   | Lo    | Lo                               | Lo             |
| Co          | Lo                               | Lo                   | Lo   | Lo    | Lo   | Lo    | Lo                               | Lo             |

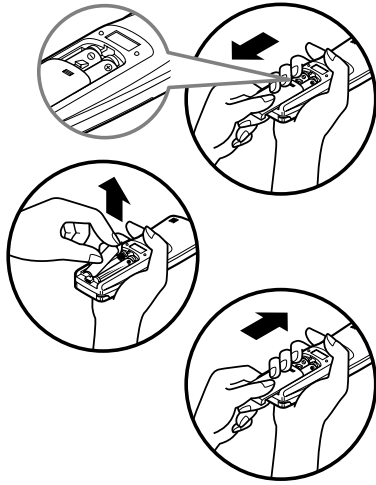
- \* **البداية الساخنة:** تتوقف المروحة الداخلية في التشغيل الساخن لدقائق لمنع خروج الهواء البارد من الوحدة.
- \* في وضع إزالة الصقيع توقف الوحدة التشغيل الساخن لدقائق قليلة لإزالة الثلج المتكون على الأنابيب الملتفة للمبادل الحراري للاحتفاظ بمستوى كفاءة العمل.

## الوحدة الخارجية



## تعليمات التشغيل

### كيفية إدخال البطاريات

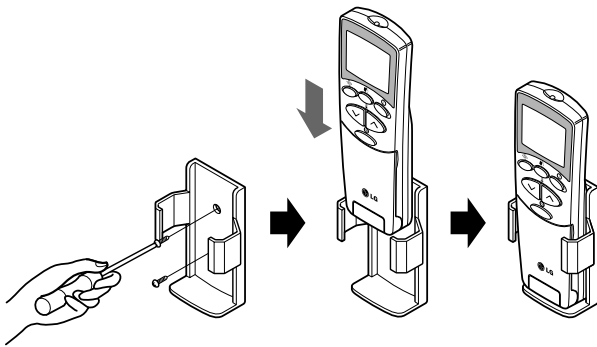


١. انزع خطاء البطارية بسحبه في اتجاه السهم.
٢. أدخل بطاريات جديدة وتأكد من صحة وضع قطبي البطارية (+) و(-).
٣. أعد تركيب الغطاء بدفعه إلى موضعه.

### ملاحظة

١. دائماً استخدم/استبدل بطاريتين من نفس النوع.
٢. إن كنت لن تستخدم النظام لفترة طويلة، انزع البطاريتين لتحفظ بعمركهما الافتراضي.
٣. إن بدأت شاشة عرض جهاز التحكم عن بعد في الخبو، استبدل البطاريتين.

### صيانة جهاز التحكم عن بعد اللاسلكي



١. اختر مكاناً مناسباً آمناً يسهل الوصول إليه.

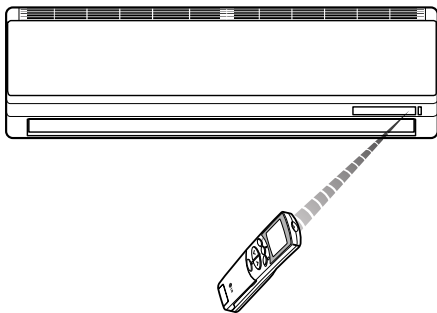
٢. ثبت الحامل بإحكام بالحائط باستعمال البراغي المرفقة.

٣. أدخل جهاز التحكم عن بعد داخل الحامل.

### ملاحظة

١. يجب ألا يتعرض جهاز التحكم عن بعد إلى ضوء الشمس المباشر.
٢. يجب أن يظل مستقبل ومرسل الإشارات نظيفين كي يعملان بكفاءة. استعمل قطعة قماش ناعمة لتنظيفهما.
٣. قد تجد أحياناً أن هناك أجهزة أخرى تعمل أيضاً بنفس جهاز التحكم عن بعد، عليك تغيير مكان هذه الأجهزة أو اتصل بمندوب الخدمة.

### طريقة التشغيل



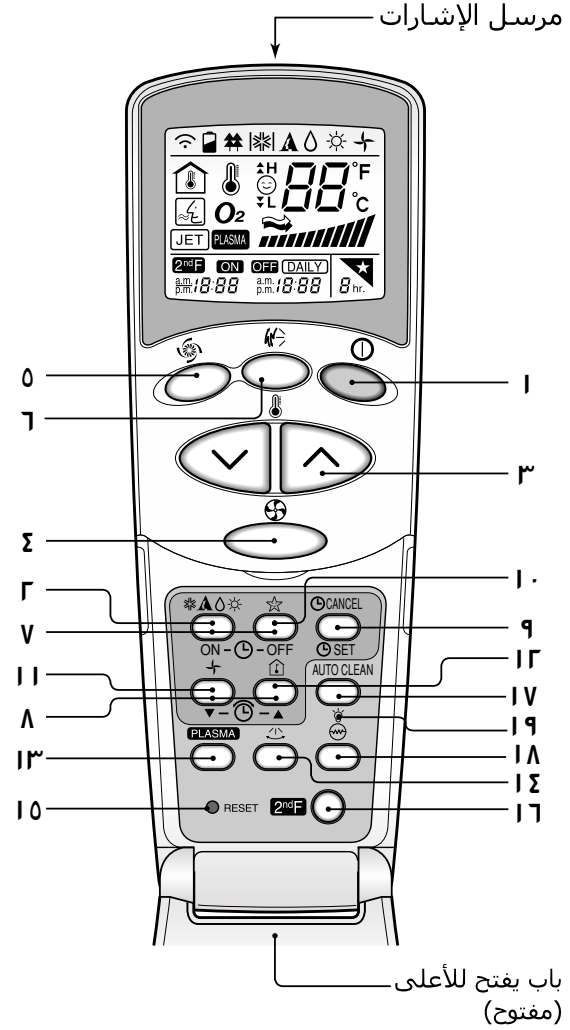
١. مستقبل الإشارات داخل الوحدة.

٢. وجه جهاز التحكم عن بعد نحو الوحدة لتشغيلها.
- يجب ألا يكون هناك أي عائق بين جهاز التحكم والوحدة.

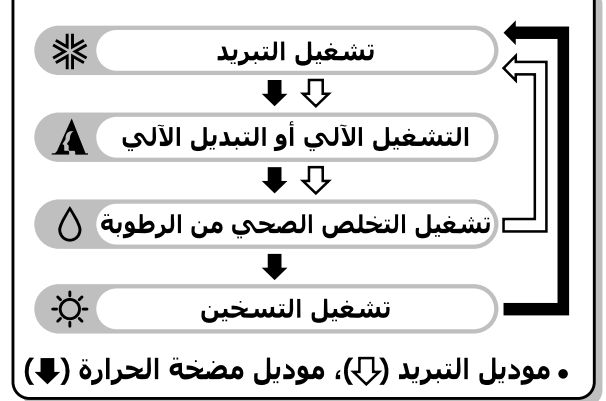
## جهاز التحكم عن بعد اللاسلكي

ستظهر مفاتيح التحكم بالشكل التالي.

١. زر التشغيل/الإيقاف  
يستخدم في تشغيل الوحدة وإيقافها.
٢. زر اختيار وضع التشغيل  
يستخدم في اختيار وضع التشغيل.
٣. أزرار ضبط حرارة الغرفة  
تستخدم في اختيار درجة حرارة الغرفة.
٤. زر اختيار سرعة المروحة الداخلية  
يستخدم في اختيار سرعة المروحة من أربع خطوات  
بطيء، متوسط، عالي، متغير.
٥. زر التبريد السريع  
يستخدم في تشغيل أو إيقاف التبريد السريع.  
(يعمل على تشغيل المروحة بسرعة فائقة في وضع التبريد)
٦. زر الحركة المتغيرة  
يستخدم في تشغيل أو إيقاف حركة فتحة التهوية وضبط  
اتجاه الهواء العلوي/السفلي المطلوب.
٧. أزرار تشغيل/إيقاف المؤقت  
يستخدم لضبط وقت التشغيل والإيقاف.
٨. أزرار ضبط الوقت  
تستخدم في تعديل الوقت.
٩. زر ضبط/إلغاء المؤقت  
يستخدم في ضبط أو إلغاء تشغيل المؤقت.
١٠. زر وضع النوم الآلي  
يستخدم لضبط تشغيل وضع النوم الآلي.
١١. زر دوران الهواء  
يستخدم في تدوير هواء الغرفة بدون تبريد أو تسخين.
- زر وضع التبريد الموفر للطاقة  
(اختياري) بالنسبة للموديلات ذات الضاغط المعكوس
١٢. زر فحص حرارة الغرفة  
يستخدم لفحص درجة حرارة الغرفة.
١٣. زر البلازما (اختياري)  
يستخدم في تشغيل أو إيقاف وظيفة تنقية البلازما.
١٤. زر التحكم في اتجاه تيار الهواء الأفقي (اختياري)  
يستخدم في ضبط الاتجاه المطلوب لتيار الهواء الأفقي.
١٥. زر إعادة الضبط  
يستخدم قبل إعادة ضبط الوقت.
١٦. الوظيفة الثانية  
يستخدم قبل استخدام الأوضاع المكتوبة بالأزرق  
أسفل الأزرار.
١٧. زر التنظيف الآلي (اختياري)  
يستخدم لضبط وضع التنظيف الآلي.  
في بعض الموديلات يكون لهذا الزر وظيفة ثانية للتحكم في  
سطوع مصباح البيان.
١٨. زر السخان (اختياري)  
(غير متوفر في كل الموديلات)
١٩. زر سطوع شاشة LCD (اختياري) يستخدم  
في تعديل سطوع شاشة LCD.



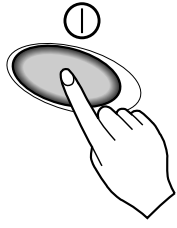
## وضع التشغيل



## ملاحظة

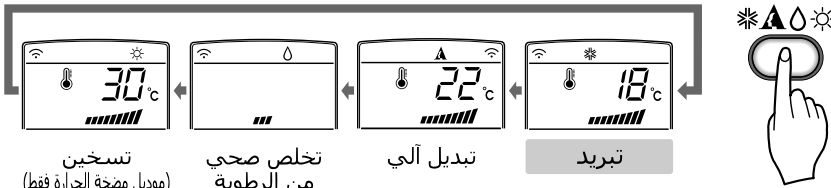
لاستخدام الوظائف المكتوبة بالأزرق أسفل الأزرار، اضغط زر الوظيفة الثانية 2ndF أولاً ومن ثم زر الوظيفة المطلوبة. إن الضغط على 2ndF ينشط الوظيفة المكتوبة بالأزرق للزر المعني. لإلغاء الوظيفة، اضغط زر 2ndF ثانية وإلا سيتم إلغاؤه آلياً إن ظل بدون عمل بعد ١٠ ثوان.

## وضع التشغيل

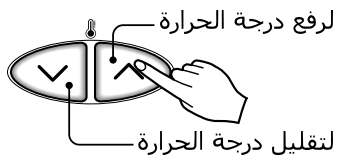
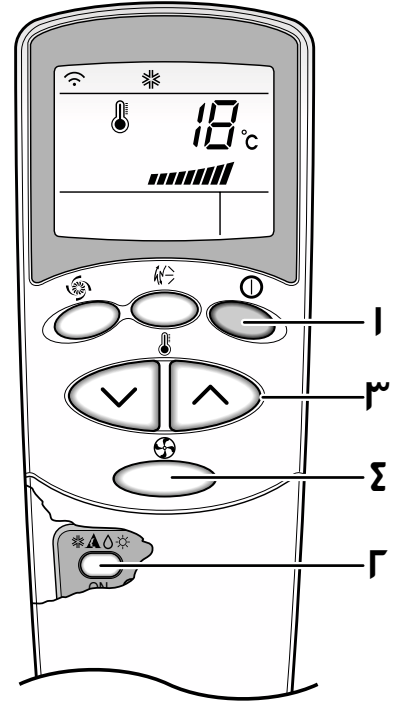


1 اضغط مفتاح التشغيل/الإيقاف لتشغيل الوحدة.  
ستستجيب الوحدة بإصدار صوت.

2 افتح باب جهاز التحكم عن بعد ثم اضغط زر وضع التشغيل.  
في كل مرة تضغط فيها على الزر، يتحول وضع التشغيل باتجاه السهم.

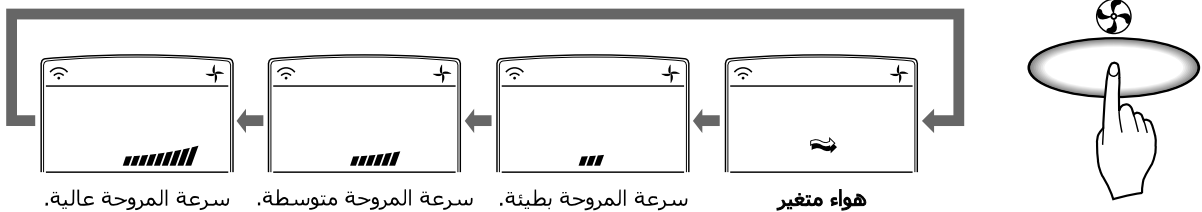


التشغيل الآلي (موديل التبريد فقط)  
التبديل الآلي (موديل مضخة الحرارة فقط)



3 لتشغيل التبريد أو التسخين، اضغط درجة الحرارة الداخلية المطلوبة بالضغط على أزرار ضبط درجة حرارة الغرفة. بالنسبة للتبريد، يمكن ضبط درجة الحرارة ما بين 18 إلى 30 درجة مئوية، وبالنسبة للتسخين تكون درجة الحرارة ما بين 16 إلى 30 درجة مئوية.

4 اضغط سرعة المروحة بواسطة جهاز التحكم عن بعد. يمكنك اختيار سرعة المروحة من أربع خطوات- بطيء ومتوسط وعالي ومتغير وذلك بالضغط على زر اختيار سرعة المروحة الداخلية. في كل مرة تضغط فيها على الزر، يتحول وضع سرعة المروحة.



### الرياح الطبيعية من خلال الأسلوب المتغير

□ للوصول إلى إحساس أكثر ارتعاشاً، اضغط زر اختيار سرعة المروحة الداخلية واضبطه على الوضع متغير. في هذا الوضع، يتحرك الهواء كنسمة طبيعية وذلك بتغيير سرعة المروحة آلياً وفق الأسلوب المتغير.



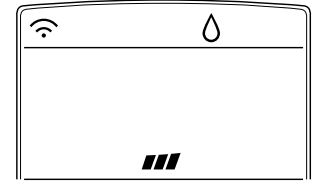
## تشغيل التخلص الصحي من الرطوبة

## أثناء تشغيل التخلص الصحي من الرطوبة

□ إن اخترت وضع التخلص من الرطوبة على زر اختيار وضع التشغيل، يبدأ المنتج في تشغيل وضع التخلص من الرطوبة. فهو يضبط تلقائياً درجة حرارة الغرفة وحجم تيار الهواء على أفضل وضع للتخلص من الرطوبة بناءً على درجة الحرارة التي يستشعرها.

في هذه الحالة لا يتم عرض درجة الحرارة على جهاز التحكم عن بعد ولن تتمكن أيضاً من التحكم في درجة حرارة الغرفة.

□ أثناء وظيفة التخلص الصحي من الرطوبة، يتم ضبط حجم تيار الهواء ألياً وفق الخطوات التي تحددها الاستجابة إلى درجة حرارة الغرفة الحالية، بحيث يظل الوضع في الغرفة صحياً ومريحاً حتى في الأجواء الرطبة.



## تخلص صحي من الرطوبة

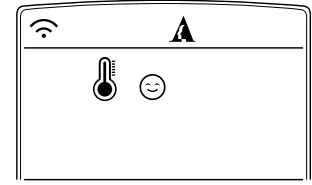


لتشغيل وضع التخلص الصحي من الرطوبة، اتبع الخطوات ١ و ٢ و ٤ (انظر وضع التشغيل)

## التشغيل الآلي (موديل التبريد فقط)

في وضع التشغيل هذا يتم ألياً ضبط درجة الحرارة المضبوطة فعلياً وسرعة المروحة بواسطة أسلوب التحكم الإلكتروني بناءً على درجة حرارة الغرفة الحالية. فإن شعرت بالحرارة أو البرودة، اضغط أزرار ضبط درجة الحرارة للحصول على المزيد من التبريد أو التسخين.

**ملاحظة:** لا يمكنك ضبط درجة الحرارة الفعلية وسرعة المروحة الداخلية في وضع التشغيل هذا. ولكن يمكنك استخدام الحركة المتغيرة في هذا الوضع. إن كان النظام لا يعمل بالصورة المطلوبة، قم يدوياً بتغيير إلى وضع آخر.

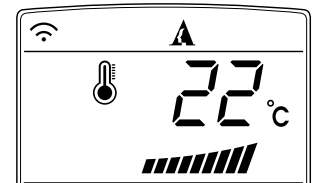


## آلي

لتشغيل التشغيل الآلي، اتبع الخطوات ١ و ٢. (انظر وضع التشغيل)

## تشغيل التبديل الآلي (موديل مضخة الحرارة فقط)

أساس التشغيل الآلي هو وظيفة التسخين أو التبريد في مكيف الهواء. ولكن أثناء هذا التشغيل يغير مفتاح التحكم وضع التشغيل للاحتفاظ بدرجة الحرارة بين  $\pm 2$  درجة مئوية بالنسبة إلى درجة الحرارة التي تم ضبطها.



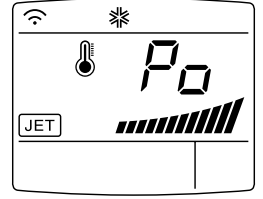
## تبديل آلي

لتشغيل هذا الوضع، اتبع الخطوات ١ و ٢ و ٣ و ٤. (انظر وضع التشغيل)



## تبريد/تسخين سريع

يمكن استخدام وظيفة التبريد السريع لتبريد الغرفة بسرعة خلال الصيف الحار. عند تشغيل هذه الوظيفة، يعمل مكيف الهواء في وضع التبريد بسرعة مروحة عالية جداً وفي درجة حرارة ١٨ مئوية لحوالي ٣٠ دقيقة للحصول على تبريد سريع وبكفاءة عالية. وبالمثل، وظيفة التسخين السريع (متوفر في بعض الموديلات فقط) يعمل على تدفئة الغرفة بسرعة عن طريق تشغيل المروحة بسرعة عالية جداً وفي درجة حرارة ٣٠ مئوية لحوالي ٦٠ دقيقة.



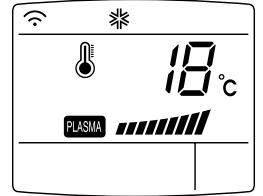
يمكنك تنشيط هذا الوضع بالضغط على زر التبريد السريع. للتغيير من وضع التبريد السريع إلى وضع التبريد بالمروحة السريعة، اضغط زر التبريد السريع أو زر اختيار سرعة المروحة الداخلية أو زر ضبط حرارة الغرفة ثانية.

### ملاحظة

- لا يمكن تنشيط وظيفة التبريد السريع أثناء التسخين أو التبديل الآلي.
- بالنسبة لموديل الضاغط المعكوس أو التبريد الفني أو التبريد الفني العريض (غير الفاخر)، يمكنك استخدام وظيفة التسخين السريع بالضغط على زر التبريد السريع لتشغيل التسخين.
- موديلات التبريد الفني والتبريد الفني العريض يغلق التفريغ الجانبي أثناء التبريد/التسخين السريع، للحصول على تبريد أو تسخين قوي.

## تنقية النيو بلازما (اختياري)

فلتر البلازما هو تقنية طورتها LG للتخلص من الملوثات الدقيقة في الهواء الداخل وذلك عن طريق تكوين بلازما من إلكترونات عالية الشحنة. هذه البلازما تقتل وتدمر الملوثات تماماً لتوفر هواءً نظيفاً وصحياً.



PLASMA



يمكن بدء تنقية البلازما بالضغط على زر البلازما على جهاز التحكم عن بعد. إعادة الضغط عليه سيلغي تنشيط العملية.

### ملاحظة

يمكن استخدام هذه الخاصية في أي وضع تشغيل ويمكن استخدام أي سرعة مروحة أثناء تشغيل فلتر البلازما.

## التنظيف الآلي (اختياري)

□ أثناء وظيفة التنظيف الآلي، يمكن التخلص الرطوبة المتبقية في الوحدات الداخلية بعد التبريد أو التخلص الصحي من الرطوبة.

١. اضغط زر التنظيف الآلي لتنشيط هذه الوظيفة.
٢. الآن كلما تم إيقاف تشغيل الوحدة، تظل المروحة الداخلية تعمل لحوالي ٣٠ دقيقة داخلياً بدون تبريد أو التخلص من الرطوبة. وتكون فتحة الهواء مغلقة أيضاً.
٣. هذا يؤدي إلى تجفيف أي بقايا للرطوبة ويتم تنظيف الوحدة داخلياً.
٤. إن ضغطت على زر التنظيف الآلي ثانية أثناء التشغيل، سيتم إلغاء هذه الوظيفة.

AUTO CLEAN



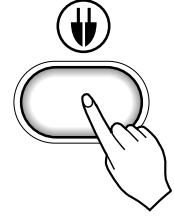
### ملاحظة

□ أثناء وظيفة التنظيف الآلي، يمكن فقط استخدام زر التشغيل/الإيقاف، وزر البلازما، وزر التنظيف الآلي.

## وضع التبريد الموفر للطاقة (اختياري)

التبريد الموفر للطاقة قد يعمل على توفير الطاقة خلال وضع التبريد والتخلص الصحي من الرطوبة، وذلك لأنه يعمل بكفاءة عن طريق ضبط زمن تكيف الجسم وفق التغيير في الوقت ودرجة الحرارة وتعديل درجة الحرارة المطلوبة آلياً.

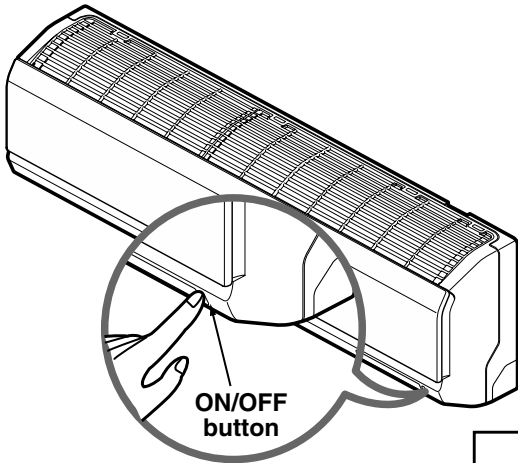
١. اضغط زر التشغيل/الإيقاف لتشغيل الوحدة.
٢. افتح باب جهاز التحكم عن بعد.
- اختر وضع التبريد أو التخلص الصحي من الرطوبة.
٣. اضغط زر وضع التبريد الموفر للطاقة.
٤. لإلغاء وضع التبريد الموفر للطاقة، اضغط زر وضع التبريد الموفر للطاقة ثانية وستعمل الوحدة في الوضع السابق (وضع التبريد أو التخلص من الرطوبة).



## سطوع شاشة العرض (اختياري)

يمكن تعديل سطوع شاشة العرض باستعمال جهاز التحكم عن بعد. اضغط زر التشغيل/الإيقاف لتشغيل الوحدة. افتح باب وحدة التحكم عن بعد، اضغط زر 2ndF ثم اضغط زر سطوع شاشة العرض. ستعتم شاشة العرض. اضغط الزر ثانية لإعادة سطوع شاشة العرض.

## التشغيل الإجباري



إجراءات التشغيل عندما لا يعمل جهاز التحكم عن بعد. يبدأ التشغيل إذا ما تم الضغط على زر الطاقة. إذا رغبت في إيقاف التشغيل، اضغط مرة أخرى على الزر.

| اسلوب صخ الحرارة         |                          | اسلوب التبريد            |                          |
|--------------------------|--------------------------|--------------------------|--------------------------|
| درجة حرارة الغرفة > 24°س | درجة حرارة الغرفة > 24°س | درجة حرارة الغرفة ≤ 24°س | درجة حرارة الغرفة > 21°س |
| تدفئة                    | ازالة الرطوبة صحبا       | تبريد                    | وضعية التبريد            |
| عالي                     | عالي                     | عالي                     | سرعة المروحة الداخلية    |
| 24°س                     | 23°س                     | 22°س                     | ضبط درجة الحرارة         |

## فحص التشغيل

إثناء فحص التشغيل، تعمل الوحدة في وضع التبريد بسرعة مروحة عالية ليغض النظر عن درجة الحرارة الغرفة ويتم إعادة الضبط بعد ١٨ دقيقة. أثناء فحص التشغيل، إذا تم اشتعال اشارات جهاز التحكم عن بعد تعمل الوحدة حسب ضبط جهاز التحكم عن بعد. إذا رغبت في استخدام هذه التشغيل، اضغط مع الاستمرار في الضغط على زر ON/OFF لمدة 3~6 ثوان، ثم سيصدر صوت أزيز "بيبي". إذا رغبت في إيقاف التشغيل، اضغط مرة أخرى على الزر.

## وضع النوم

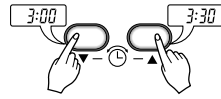
١. اضغط زر وضع النوم الآلي لضبط الوقت الذي تريد أن تتوقف فيه الوحدة آلياً.
٢. يتم برمجة المؤقت بخطوات قدرها ساعة واحدة بالضغط على زر وضع النوم الآلي من مرة إلى سبع مرات. يتوفر وضع النوم من مرة إلى سبع مرات. لتغيير الفترة الزمنية بخطوات قدرها ساعة واحدة، اضغط زر وضع النوم الآلي أثناء التوجيه إلى مكيف الهواء.
٣. • (بالنسبة للموديل غير المحول)  
تأكد من إضاءة مصباح وضع النوم.  
لإلغاء وضع النوم، اضغط زر وضع النوم الآلي مراراً إلى أن ينطفئ المصباح.  
• (بالنسبة للموديل المحول)  
تأكد من إضاءة مصباح المؤقت.  
لإلغاء وضع النوم، اضغط زر وضع النوم الآلي مراراً إلى أن ينطفئ المصباح.



## ملاحظة

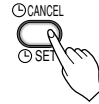
- سيعمل وضع النوم على تشغيل المروحة الداخلية بسرعة بطيئة في وضع التبريد وبسرعة متوسطة في وضع التسخين للحصول على نوم هادئ.
  - موديل التبريد الفني والتبريد الفني العريض (غير الفاخر) يغلقان التفرغ السفلي جزئياً في وضع النوم للحصول على نوم هادئ.
- في وضع التبريد أو التخلص الصحي من الرطوبة:**  
سترتفع درجة الحرارة المضبوطة آلياً مرتين بقدر درجة مئوية خلال الثلاثين دقيقة التالية (درجتان في الساعة الواحدة) للحصول على نوم مريح. والآن هذا آخر ضبط لدرجة الحرارة طالما كان وضع النوم قيد التشغيل.

## ضبط الوقت الحالي



١. يمكن ضبط الوقت فقط حينما تضغط على زر إعادة الضبط. بعد استبدال البطاريات، يلزمك الضغط على زر إعادة الضبط لإعادة ضبط الوقت. اضغط زر التشغيل/الإيقاف.

٢. اضغط زر الوظيفة الثانية وتأكد من تشغيل الأيقونة. 2<sup>nd</sup>F
٣. اضغط زر ضبط الوقت إلى أن يتم ضبط الوقت المطلوب.
٤. اضغط زر ضبط/إلغاء الوقت.

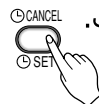
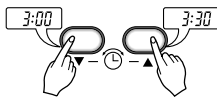


## ملاحظة

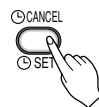
افحص المؤشر بالنسبة للرمز P.M و A.M.

## ضبط المؤقت

١. تأكد من ضبط الوقت الحالي صحيحاً على شاشة عرض جهاز التحكم عن بعد.
٢. اضغط زر الوظيفة الثانية.
٣. اضغط أزرار تشغيل/إيقاف المؤقت لتشغيل المؤقت أو إيقافه.
٤. اضغط أزرار ضبط الوقت إلى أن يتم ضبط الوقت المطلوب.
٥. لضبط الوقت المختار، اضغط أزرار ضبط المؤقت أثناء توجيه جهاز التحكم عن بعد نحو مستقبل الإشارات.



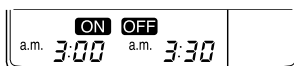
## إلغاء ضبط المؤقت



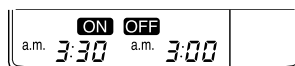
- تأكد من اختفاء الأيقونة. 2<sup>nd</sup>F  
اضغط زر إلغاء المؤقت أثناء توجيه جهاز التحكم عن بعد نحو مستقبل الإشارات. (سينطفئ مصباح المؤقت الموجود على مكيف الهواء وعلى شاشة العرض).

## ملاحظة

اختر أحد أنواع التشغيل الأربع التالية.



مؤقت تأجيل التشغيل والإيقاف



مؤقت تأجيل الإيقاف والتشغيل



مؤقت تأجيل التشغيل



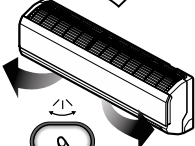
مؤقت تأجيل الإيقاف

## التحكم في اتجاه تيار الهواء الأفقي/العمودي (اختياري)

تيار الهواء الأيمن/الأيسر (تيار الهواء الأفقي) يمكن تعديله باستعمال جهاز التحكم عن بعد.  
١. اضغط زر التشغيل/الإيقاف لتشغيل الوحدة.



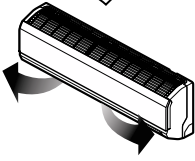
٢. اضغط زر اتجاه تيار الهواء الأفقي.



٣. ستتحرك فتحات الهواء يميناً ويساراً آلياً.



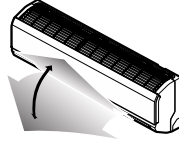
٤. لإيقاف فتحات الهواء عند زاوية محددة، اضغط ثانية.



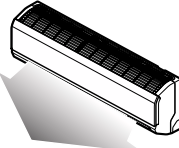
تيار الهواء العلوي/السفلي (تيار الهواء العمودي) يمكن تعديله باستعمال جهاز التحكم عن بعد.  
١. اضغط زر التشغيل/الإيقاف لتشغيل الوحدة.



٢. اضغط زر التحريك المتغير.



٣. ستتحرك فتحات الهواء آلياً نحو الأعلى والأسفل.



٤. لإيقاف فتحة الهواء عند زاوية محددة، اضغط مرة أخرى.



## ملاحظة

- بالضغط على زر التحريك المتغير، يتغير اتجاه تيار الهواء الأفقي آلياً وفق أسلوب التغيير لتوزيع الهواء في الغرفة بالتساوي وفي نفس الوقت جعل الجسم البشري يشعر بأقصى راحة والاستمتاع بالنسمة الطبيعية.
- استخدام دائماً جهاز التحكم عن بعد لتعديل اتجاه تيار الهواء الأعلى والأسفل. إن تحريك فتحة اتجاه تيار الهواء العمودي بواسطة اليدين قد يتلف آلية التشغيل. عندما تكون الوحدة متوقفة عن العمل، ستغلق فتحة اتجاه تيار الهواء مخارج الهواء بالنظام.

## وضع دوران الهواء



هذا الوضع يعمل على تدوير الهواء بدون تبريد أو تسخين. يمكن تنشيطه بالضغط على زر دوران الهواء. بعد تنشيط هذه الخاصية، يمكنك اختيار سرعة الهواء بالضغط على زر اختيار سرعة المروحة الداخلية.

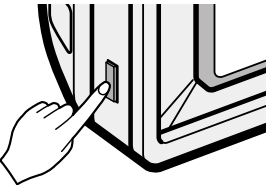


## ملاحظة

- إن خاصية الهواء المتغير تساعد على استهلاك الطاقة بشكل اقتصادي وتمنع التبريد المفرط. تتغير سرعة المروحة آلياً من عالي إلى بطيء أو بالعكس وفقاً لدرجة الحرارة الخارجية.
- بالنسبة لموديلات الضاغط المعكوس حيث لا يوجد زر دوران الهواء، يمكن تدوير الهواء بالضغط على زر البلازما.

## وظيفة إعادة التشغيل آلياً

هذه الوظيفة مفيدة للغاية في حالات انقطاع التيار الكهربائي. عند عودة التيار الكهربائي بعد انقطاعه، تعمل هذه الخاصية على استعادة أوضاع التشغيل السابقة وسيعمل مكيف الهواء بنفس الإعدادات.



## ملاحظة

هذه الخاصية تعمل وفق إعدادات المصنع، ولكنك تستطيع تعطيلها بالضغط على زر التشغيل/الإيقاف لمدة ٦ ثوان. ستصدر الوحدة صوتاً مرتين وسيومض مصباح البيان (٢) ٤ مرات. لتمكين هذه الخاصية، اضغط الزر مرة أخرى لمدة ٥ ثوان. ستصدر الوحدة صوتاً مرتين وسيومض مصباح البيان (١) ٤ مرات.

# الصيانة والخدمة

## ⚠ تنبيه

قبل القيام بأي عمليات صيانة، افصل التيار الرئيسي عن النظام، وافصل مفتاح القطع وسلك الكهرباء.

## الوحدة الداخلية

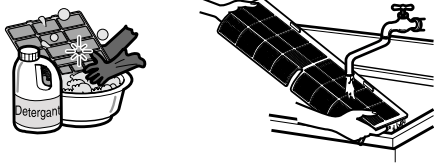
نظف الوحدة باستعمال قطعة قماش ناعمة وجافة. لا تستعمل المبيضات أو المواد الكاشطة.



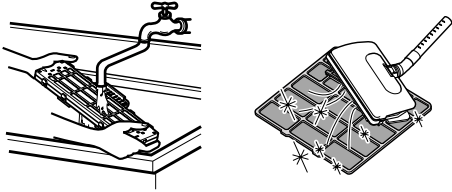
## ⚠ تنبيه

لا تستخدم أبداً مما يلي  
 • الماء بدرجة حرارة أعلى من ٤٠ مئوية. فقد يؤدي ذلك إلى تغيير في الشكل واللون.  
 • المواد المتطايرة. فقد تتلف سطح مكيف الهواء.

## فلتر الهواء

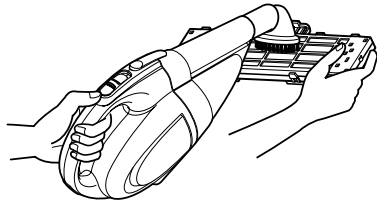


فلتر الهواء الموجودة خلف اللوحة الأمامية أو الحاجز الأمامي يجب فحصها وتنظيفها مرة كل أسبوعين على الأقل إذا لزم الأمر. لنزع الفلاتر انظر الرسومات التوضيحية الخاصة بكل موديل. نظف الفلاتر باستخدام المكنسة الكهربائية أو ماء دافئ به صابون. إن لم يسهل إزالة الأوساخ، استعمل محلول أو منظف وماء دافئ. جفف الفلاتر جيداً في مكان ظليل بعد غسلها ثم أعد تركيبها في مكانها.



## فلتر البلازما

فلتر البلازما الموجودة خلف فلتر الهواء يجب فحصها وتنظيفها مرة كل ٣ أشهر على الأقل إذا لزم الأمر. لنزع الفلاتر، انظر الرسومات التوضيحية الخاصة بكل موديل. نظف الفلاتر باستعمال المكنسة الكهربائية. إن استمرت متسخة، اغسلها بالماء واتركها تجف جيداً في مكان ظليل ثم أعد تركيبها في مكانها.



## فلتر التخلص من الروائح

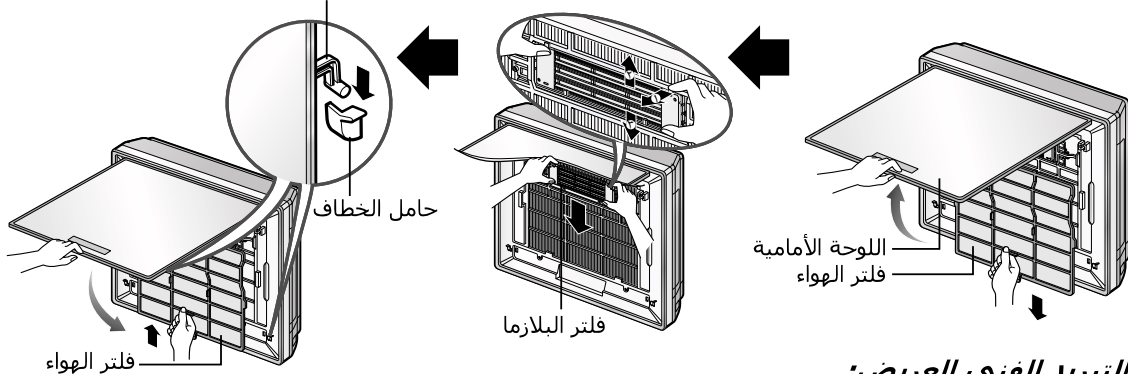
انزع فلتر التخلص من الروائح الموجودة خلف فلتر الهواء وعرضها لضوء الشمس المباشر لمدة ساعتين. ثم أدخل تلك الفلاتر داخل موضعها الأصلي.

## نزع الفلاتر

### ١. نوع التبريد الفني:

اسحب الجزء السفلي من الحاجز بعد رفع لسان الفلتر قليلاً وسحب الفلتر برفق نحو الخارج. انزع فلتر البلازما كما هو موضح. بعد تنظيف الفلتر وتجفيفه جيداً، أعد تركيبه وتركيب حاجز الهواء عن طريق محاذاة الخطاف.

خطاف اللوحة الأمامية



### ٢. نوع التبريد الفني العريض:

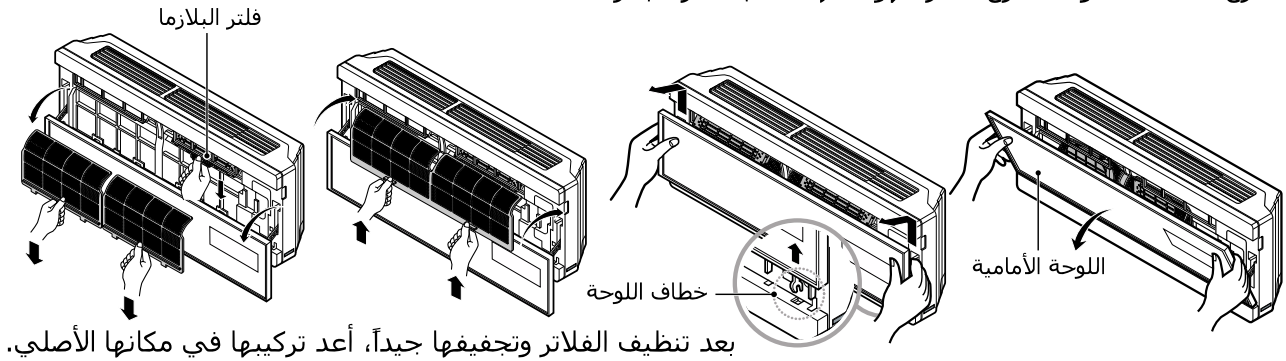
خطوات نزع الفلاتر هي نفسها المتبعة مع موديل التبريد الفني الموضحة أعلاه.

## ⚠ تنبيه

لا تلمس فلتر البلازما خلال ١٠ دقائق بعد فتح حاجز إدخال الهواء، فقد يؤدي ذلك إلى إصابتك بصدمة كهربائية.

### ٣. النوع الفاخر: (النوع ١)

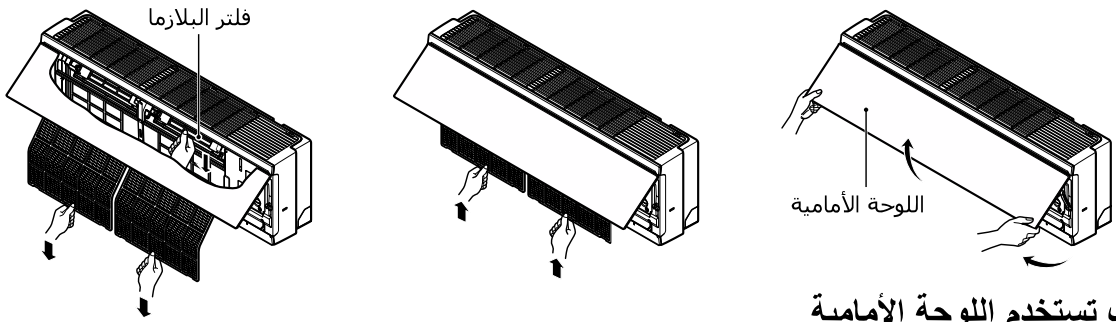
افتح الجزء العلوي من اللوحة واسحب للأعلى كما هو موضح. استخرج خطافات اللوحة. انزع فلتر الهواء ثم اسحب فلتر البلازما.



بعد تنظيف الفلاتر وتجفيفها جيداً، أعد تركيبها في مكانها الأصلي.

### ٤. النوع الفاخر: (النوع ٢)

افتح اللوحة الأمامية كما هو موضح. ثم اسحب لسان الفلتر برفق إلى الأمام لنزع فلتر الهواء. بعد إزالة فلتر الهواء، انزع فلتر البلازما وفلتر التخلص من الروائح عن طريق شدتها برفق نحو الخارج.



كيف تستخدم اللوحة الأمامية

#### ١. إغلاق اللوحة الأمامية

حرك الوصلة نحو الأعلى وأغلق اللوحة الأمامية.

#### ١. خلع اللوحة الأمامية

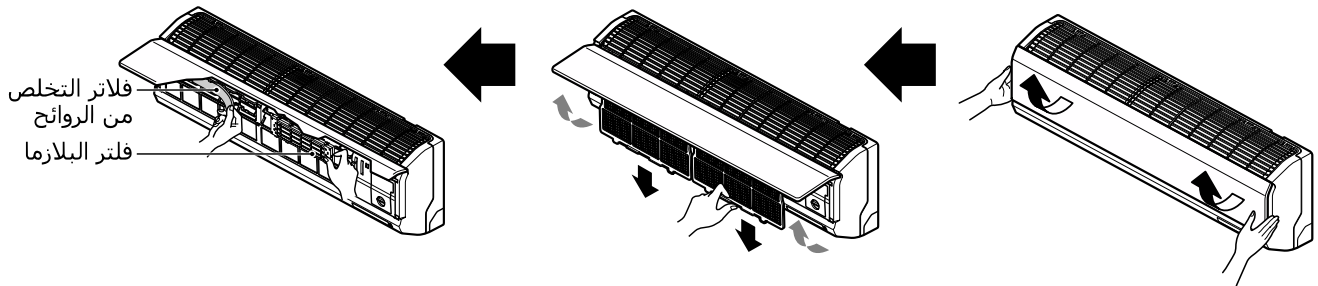
ارفع الوصلة نحو الأعلى نحو معلاق الخطاف ثم اخلع اللوحة الأمامية باتجاه الأمام.



### ٥. النوع المقسم التقليدي: هناك طريقتان لفتح اللوحة الأمامية حسب نوع مكيف الهواء كالآتي:

النوع ١: افتح اللوحة الأمامية كما هو موضح.

ثم اسحب لسان الفلتر برفق نحو الأمام لخلع فلتر الهواء. بعد خلع فلتر الهواء، اخلع فلتر البلازما وفلتر التخلص من الروائح بسحبهما برفق باتجاه الأمام.

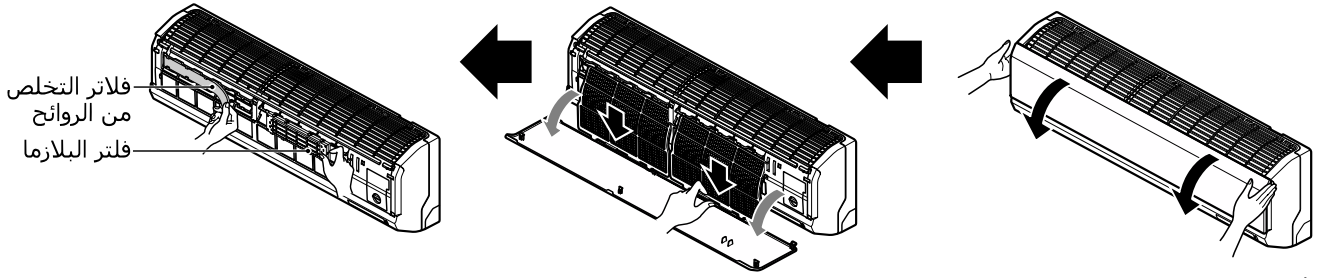




**النوع ٢ :** اسحب اللوحة الأمامية من الجانبين كما هو موضح.

ثم اسحب لسان الفلتر برفق نحو الأمام لخلع فلتر

الهواء. بعد خلع فلتر الهواء، اخلع فلتر البلازما وفلتر التخلص من الروائح بسحبهما برفق باتجاه الأمام.



### ⚠ تنبيه

لا تلمس فلتر البلازما خلال 10 دقائق من بعد فتح حاجز إدخال الهواء، فقد يتسبب في صدمة كهربائية.

## الوحدة الخارجية

يجب فحص الأنابيب الملتفة للمبادل الحراري وفتحات الهواء باللوحة الأمامية بانتظام. إن كانت مسدودة بالأوساخ أو الأتربة، يجب تنظيف المبادل الحراري وفتحات هواء اللوحة بالبخار بشكل محترف.

### ملاحظة

الأنابيب الملتفة المتسخة أو المسدودة تقلل من كفاءة تشغيل النظام وتتسبب في رفع تكلفة التشغيل.

## إرشادات التشغيل

### أبق حرارة الغرفة متجانسة.

قم بتعديل اتجاه تيار الهواء الأفقي والعمودي لتضمن تجانس درجة الحرارة بالغرفة.

### احتفظ بالستائر مغلقة.

لا تسمح بدخول ضوء الشمس المباشر إلى الغرفة أثناء تشغيل مكيف الهواء.

### لا تفرط في تبريد الغرفة.

هذا ليس جيداً للصحة ويزيد استهلاك الكهرباء.

### استخدم سرعة المروحة العالية للوصول إلى تبريد سريع وفعال.

الوحدة تعطي سعة التبريد المقررة لها حينما تكون المروحة بأعلى سرعة.

### قم بتهوية الغرفة كلما دعت الضرورة.

لأن النوافذ تظل مغلقة، فمن الأفضل فتحها لتهوية الغرفة من آن لآخر.

### نظف فلتر الهواء بانتظام

فأي انسدادات في فلتر الهواء تقلل تيار الهواء وكفاءة التبريد وتأثير التخلص من الرطوبة. نظفه مرة واحدة كل أسبوعين على الأقل.

### تأكد من إغلاق الأبواب والنوافذ بإحكام.

تجنب فتح الأبواب والنوافذ بقدر المستطاع للاحتفاظ بالهواء البارد داخل الغرفة.

## وظيفة التشخيص الذاتي

هذه الوحدة تملك إمكانات داخلية لتشخيص الأخطاء. مصباح بيان الوحدة (①) سيومض في حالة فشل الترموستات. من فضلك اتصل بمسؤول الخدمة أو الموزع في هذه الحالة.

| نقطة الفحص  | مصباح بيان الأخطاء (①)                         |
|---|--|
| <ul style="list-style-type: none"> <li>• دائرة ترموستات حرارة الغرفة الداخلي غير متصلة/تماس</li> <li>• دائرة ترموستات حرارة الأنبوب الداخلي غير متصلة/تماس</li> </ul> | <p>(مرة واحدة)</p> <p>٣ ثوان ٣ ثوان ٣ ثوان</p> |

## إرشادات اكتشاف الأعطال وإصلاحها! وفر الوقت والمال!

قد يكون مكيف الهواء لا يعمل بصورة طبيعية حينما:

| المشكلة                             | الأسباب المحتملة                        | ماذا يجب أن تفعل   |
|-------------------------------------|---|--|
| مكيف الهواء لا يعمل.                | ■ مكيف الهواء غير موصول بالكهرباء.      | • تأكد من دفع فيشة مكيف الهواء تماماً نحو المقبس.  |
|                                     | ■ انفجر الفيوز/توقف مفتاح القطع.        | • افحص فيوز المنزل/صندوق مفتاح القطع واستبدل الفيوز أو أعد ضبط مفتاح القطع.  |
| مكيف الهواء لا يعمل.                | ■ انقطاع التيار.                        | • إن انقطع التيار الكهربائي، أدر مفتاح التحكم في وضع التشغيل إلى OFF. عند عودة التيار، انتظر 3 دقائق قبل إعادة تشغيل مكيف الهواء لتجنب مشكلة زيادة العبء على الضاغط. |
|                                     | ■ الفولت عالي.                          | • إن كان الفولت عالي أو منخفض بشكل غير طبيعي، سيتوقف مفتاح القطع.  |
| مكيف الهواء لا يبرد بالشكل المطلوب. | ■ يوجد ما يمنع تيار الهواء.             | • تأكد من عدم وجود ستائر أو أثاث يعيق المنطقة أمام مكيف الهواء.  |
|                                     | ■ فلتر الهواء متسخ.                     | • نظف الفلتر مرة كل أسبوعين على الأقل. راجع قسم الصيانة والخدمة.   |
|                                     | ■ قد تكون الغرفة حارة.                  | • عند تشغيل مكيف الهواء لأول مرة، ستحتاج إلى أن تنتظر لبعض الوقت كي تبرد الغرفة.   |
|                                     | ■ الهواء البارد يتسرب.                  | • تأكد من وجود فتحات مفتوحة بالأرضيات وعودة تيار الهواء البارد.  |
|                                     | ■ افحص إعدادات درجة الحرارة.            | • تأكد من صحتها.   |
|                                     | ■ قد يكون هناك أي مصدر للحرارة بالغرفة. | • تأكد من إزالة هذا المصدر أو إغلاقه أثناء تشغيل مكيف الهواء.  |

## اتصل بمركز الخدمة فوراً في الحالات التالية

- أي شيء يحدث غير طبيعي مثل رائحة احتراق، صوت عال أو غيره. أوقف تشغيل الوحدة وأوقف مفتاح القطع. لا تحاول إصلاح العطل بنفسك أو تحاول إعادة تشغيل النظام في هذه الحالات.
- سلك التيار الرئيسي ساخن جداً أو تالف.
- هناك كود خطأ ناتج عن التشخيص الذاتي.
- الماء يتسرب من الوحدة الداخلية حتى بعد انخفاض نسبة الرطوبة.
- أي مفتاح تحويل أو مفتاح قطع (أمان أو أرضي) أو فيوز لا يعمل بشكل صحيح.

يجب أن يقوم المستخدم بالفحص والتنظيف الدوري لتجنب احتمال الأداء الضعيف للوحدة. في الحالات الخاصة، يجب أن يقوم مسؤول الخدمة فقط بالمهمة.