



OWNER'S MANUAL DISHWASHER

Before beginning installation, read these instructions carefully. This will simplify installation and ensure that the dishwasher is installed correctly and safely. Leave these instructions near the dishwasher after installation for future reference.

D1453W(L,M,T,B,C,D,A)F(B,U)

D1463W(L,M,T,B,C,D,A)F(B,U)



LG Dishwasher
Quick Start Guide

CONTENTS

CONTENTS	2
IMPORTANT SAFETY INSTRUCTIONS	
Important safety instructions.....	3
Read all instructions before use	4
Save these instructions.....	5
INSTALLATION INSTRUCTIONS	
Prepare cupboard opening	7
Preparation for electrical wiring	7
Preparing the dishwasher for installation.....	8
Installing the dishwasher in cupboard	8
Installation of drain hose.....	9
Installation of water inlet hose	10
Final check and assembling	10
How to level the dishwasher	10
PARTS NAME	11
FUNCTION OF CONTROL BUTTON	12
BEFORE USING FOR THE FIRST TIME	
Check and find water hardness level	15
Setting up the softening system level of your dishwasher	15
Salt Filling	16
Adding Rinse Aid	16
INFORMATION FOR ENERGY TEST	17
HOW TO USE AND OPERATE	
Daily use load	18
Cutlery Rack	19
Cutlery Basket	20
Lower Rack.....	20
Upper Rack.....	21
Adding Detergent.....	23
Refilling	24
Drying	25

Thank you for buying a LG Dishwasher.

Please read your owner's manual carefully, it provides instruction on safe installation, use and maintenance. Retain it for future reference.

Record the model and serial number of your Dishwasher.

Model No.

Serial No.

Date of Purchase

OPERATING SEQUENCE 26

PROGRAMME27

USER MAINTENANCE INSTRUCTIONS

 Keeping the dishwasher

 Filters.....

 Lower Spray Arm

 Upper Spray Arm

 Water Inlet

TROUBLE SHOOTING GUIDE

 Before calling for service

SPECIFICATION32

IMPORTANT SAFETY INSTRUCTIONS

READ ALL INSTRUCTIONS AND EXPLANATION OF THE INSTALLATION BEFORE USE

⚠ WARNING

For your safety, the information in this manual must be followed to minimize the risk of fire or explosion, electric shock, or to prevent property damage, injury to persons, or death.

Your Safety and the safety of others are very important.

We have provided many important safety messages in this manual and on your appliance. Always read and obey all safety messages.

⚠ This is the safety alert symbol.

This symbol alerts you to potential hazards that can kill or hurt you and others. All safety messages will follow the safety alert symbol and either the word DANGER, WARNING or CAUTION.

These words mean:

⚠ DANGER

You will be killed or seriously injured if you don't immediately follow instructions.

⚠ WARNING

You can be killed or seriously injured if you don't follow instructions.

⚠ CAUTION

You may be slightly injured or cause damage to the product, if you do not follow instructions.

All safety messages will tell you what the potential hazard is, tell you how to reduce the chance of injury, and tell you what can happen if the instructions are not followed.

IMPORTANT SAFETY INSTRUCTIONS

■ Read all instructions before use

⚠ WARNING

To reduce the risk of fire, electric shock, or injury to persons when using the washer, follow basic precautions, including the following:

- **Please read this manual carefully before using the dishwasher for the first time.**
- This manual contains very important notes regarding the installation, use and maintenance of your dishwasher.
- The manufacturer can not be responsible for problems caused by ignoring these safety and caution instructions.
- This dishwasher is designed for normal household use.
- **Do not use the dishwasher for industrial and commercial use, or other purpose.**
- **The appliance is not intended for use by young children or infirm persons without supervision.**
- **Check packaging and dishwasher immediately for signs of transport damage. If the appliance is damaged, do not put it into use but contact your supplier without delay.**
- This appliance is intended to be used in household and similar applications such as:
 - Staff kitchen areas in shops, offices and other working environments;
 - Farm houses;
 - By clients in hotels, motels and other residential type environments;
 - Bed and breakfast type environments.
- If this product is used for commercial purpose, it is not warranted. (Example: Public places such as restaurant, lodging house, training center, dormitory)
If the product is installed outside the normal service area, any cost of transportation involved in the repair of the product, or the replacement of a defective part, shall be borne by the owner.

► During installation

- **Electrical connection must be in accordance with the rating label.**
- Electrical safety is only guaranteed when the earth system of your house is in accordance with the related local regulations. **(Do not use an extension cable or cord.)**
- If the hot water exceeds 65°C, adjust the water heater setting. If the hot water temperature can not be maintained below 65°C, the dishwasher must be connected to cold water.
- If power supply cord is damaged, it must only be replaced by the manufacturer or its service agent or a similar qualified person in order to avoid a hazard.
- This appliance must be positioned so that the plug is accessible.
- The appliance is to be connected to the water mains using new hose-sets and that old hose-sets should not be reused.

► During use

- **Only suitable household utensils should be placed in the dishwasher.**
- **(Please avoid utensils; that are non-heat-resistant, metal decorated, etc.)**

IMPORTANT SAFETY INSTRUCTIONS

■ Read all instructions before use

⚠ WARNING

To reduce the risk of fire, electric shock, or injury to persons when using the washer, follow basic precautions, including the following:

- **Do not use any kinds of solvent in your dishwasher. They may cause an explosion or fire.**
- **Do not spray water on the appliance. It may cause the failure of electric parts or electric shock.**
- **Do not push down or sit on the inner door when the door is opened. It may cause the deformation or failure of your dishwasher.**
- **Do not use the detergent for hand washing. The detergent for dishwasher should be used for normal operation.**
- This appliance is fitted with a safety function that automatically stops the operation of the dishwasher when it is exposed to heavy disturbance on its mains.
- Dishwasher detergents are strongly alkaline. They can be extremely dangerous if swallowed.
Avoid contact with skin and eyes and keep children away from the dishwasher when the door is open. Check that the detergent receptacle is empty after completion of the wash cycle.

► Child Safety

- Controls may be locked using Child Lock mode to prevent all the settings from being changed by a child.
 - **Keep children away from detergents and rinse-aids.**
 - **Do not allow children to operate the dishwasher.**
 - **Young children should be supervised to ensure that they do not play with the appliance.**
- All batteries (whether installed or attached) should not be exposed to excess heat like sunlight or similar source.

■ Save these instructions

GROUNDING INSTRUCTIONS

This appliance must be grounded. In the event of malfunction or breakdown, grounding will reduce the risk of electric shock by providing a path of least resistance for electric current.

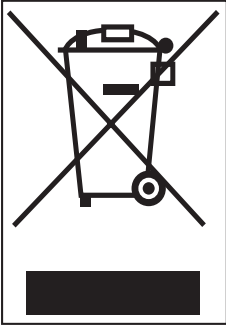
This appliance is equipped with a cord having an equipment-grounding conductor and grounding plug. The plug must be plugged into an appropriate outlet that is properly installed and grounded in accordance with all local codes and ordinance.

- Do not use an adapter this will defeat the grounding plug.
- If you don't have the proper outlet, consult an electrician.

IMPORTANT SAFETY INSTRUCTIONS

⚠ WARNING

Improper connection of the equipment-grounding conductor can result in electric shock. Check with a qualified electrician or serviceman if you are in doubt as to whether the appliance is properly grounded. Do not modify the plug provided with the appliance - if it does not fit the outlet, have a proper outlet installed by a qualified electrician.



Disposal of your old appliance

1. When this crossed-out wheeled bin symbol is attached to a product it means the product is covered by the European Directive 2002/96/EC.
2. All electrical and electronic products should be disposed of separately from the municipal waste stream via designated collection facilities appointed by the government or the local authorities.
3. The correct disposal of your old appliance will help prevent potential negative consequences for the environment and human health.
4. For more detailed information about disposal of your old appliance, please contact your city office, waste disposal service or the shop where you purchased the product.

⚠ CAUTION

CAUTION concerning the Power cord

- Most appliances recommend they be placed upon a dedicated circuit; that is, a single outlet circuit which powers only that appliance and has no additional outlets or branch circuits. **Check the specification page of this owner's manual to be certain.**
- **Do not overload wall outlets.** Overloaded wall outlets, loose or damaged wall outlets, extension cords, frayed power cords, or damaged or cracked wire insulation are dangerous. Any of these conditions could result in an electric shock or fire.
- **Periodically examine the cord of your appliance,** and if its appearance indicates damage or deterioration, unplug it, discontinue use of the appliance, and have the cord replaced with an exact replacement part by an authorized servicer.
- **Protect the power cord from physical or mechanical abuse,** such as being twisted, kinked, pinched, closed in a door, or walked upon. Pay particular attention to plugs, wall outlets, and the point where the cord exits the appliance.
If the appliance is supplied from a cord extension set or an electrical portable outlet device, the cord extension set on electrical portable outlet device must be positioned so that it is not subject to splashing or ingress of moisture.

⚠ CAUTION

The instructions shall state the substance of the following :

This appliance is not intended for use by persons (including children) with reduced physical, sensory or mental capabilities, or lack of experience and knowledge, unless they have been given supervision or instruction concerning use of the appliance by a person responsible for their safety.

Children should be supervised to ensure that they do not play with the appliance.

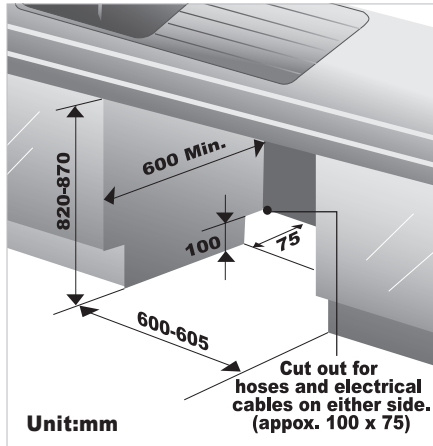
INSTALLATION INSTRUCTIONS

⚠ WARNING

- A qualified electrician/plumber or competent person should carry out any electrical/plumbing work required to install this appliance.

■ Prepare cupboard opening

1. This dishwasher is designed to fit the size shown as below.
2. Select a location as close to sink as possible for ease of connection to the water and drain pipes.
3. To ensure good drainage, the dishwasher should not be installed more than 3 meters away from the sink.
4. If dishwasher is installed in a corner, a minimum of 5cm of space is required between the washer and an adjacent cabinet or wall.



⚠ CAUTION

- Any bare wood surrounding the dishwasher should be sealed with a waterproof paint or sealant to prevent swelling.

■ Preparation for electrical wiring

⚠ CAUTION

- For personal safety, remove house fuse or open circuit breaker before installation.
- Do not use an extension cord or adapter plug with this appliance. Electrical and earthing connections must comply with the national electrical code/provincial and municipal code and/or other local codes.

1. This appliance must be supplied with correct rating voltage and hertz as shown on instruction manual, and connected to an individual, properly earthed branch circuit, protected by a minimum 15 amp circuit breaker or time delay fuse. Wiring must be 2 wires with Earth.
2. The power plug must be in a accessible location adjacent to and not behind the dishwasher and within 1.2 meters of the dishwasher side. (See page 9 Fig.A)
3. The power plug must be correctly earthed, if in doubt, have it checked by a qualified Electrician. No other appliance should be connected to the same plug outlet by a double adapter or similar plug.

Dangerous voltage

5036

To indicate hazards arising from dangerous voltages.

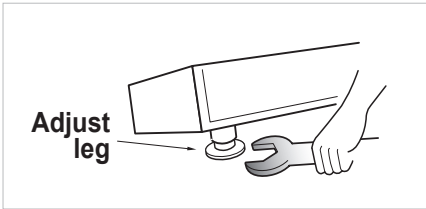


Note- in case of an application warning sign, the rules according to ISO 3864 should be adhered to.

INSTALLATION INSTRUCTIONS

■ Preparing the dishwasher for installation

1. Lay the dishwasher on its back.
2. Adjust the legs to the required height as shown in below figure.

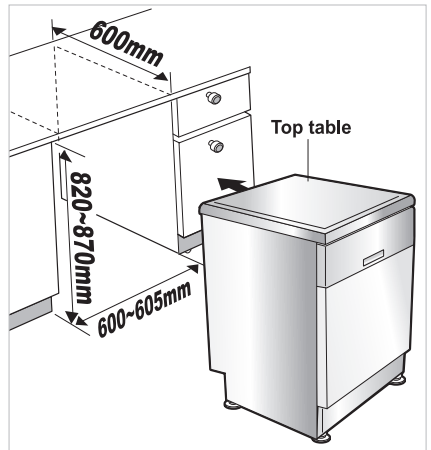


■ Installing the dishwasher in cupboard

1. Before sliding the dishwasher into the cupboard opening, all necessary height and balancing adjustments should be made using a spanner.
2. Slide the dishwasher into the cabinet, opening carefully. Make sure that the drain hose inside the cabinet is not kinked or stretched.

⚠ CAUTION

- If the height of the cupboard is below 850mm, you should remove the top table by unscrewing the 2 screws. (Two from rear)



INSTALLATION INSTRUCTIONS

■ Installation of drain hose

1. If the end of drain hose does not fit to the drain line, use a rubber connector(not supplied) that is resistant to heat and detergent.
2. This should be available from a plumbing shop or DIY merchants.
3. There are two typical connections as shown in Figure A, B.

The S trap spigot must be drilled out cleanly and free of obstruction to its maximum internal diameter, if used for drainage.

To prevent siphoning, one of the following methods must be used:

- ▶ When the drain hose is connected to a sink S trap or waste disposal unit, the hose must be looped up to the underside of the bench top and secured.

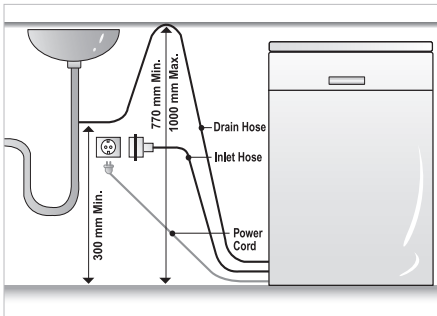


Fig. A

- ▶ When the drain hose is connected to a separate standpipe, it is essential that an airtight connection be made. Refer to Fig.B

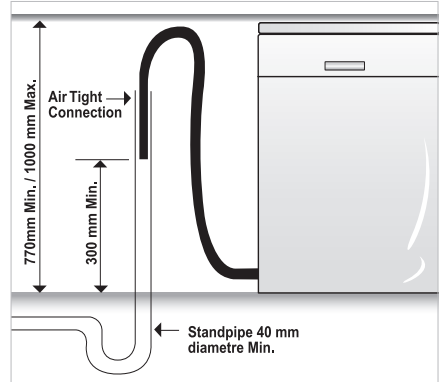
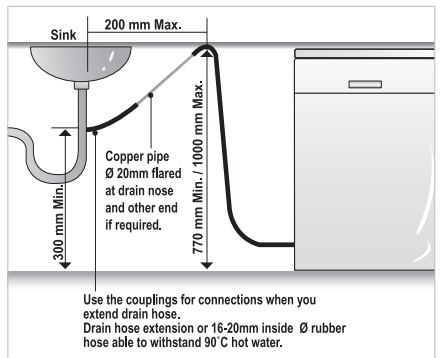


Fig. B : Drainage connection - stand pipe.

Drain hose Extension

Extend drain hose as shown below.



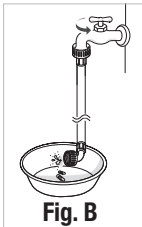
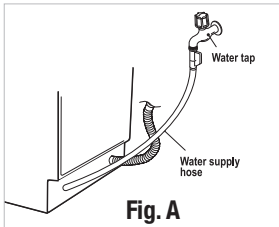
⚠ CAUTION

- When you connect or extend drain hose, **make sure that drain hose is not kinked.**
(Bends should have a 40 mm radius.)

INSTALLATION INSTRUCTIONS

■ Installation of water inlet hose

- ▶ Connect the water supply hose to the water tap. (Fig. A)
- ▶ Some models consist of an inlet valve and hose. (Fig. B)
After connecting the inlet hose to the tap, turn on the tap to flush out foreign substances (dirt, sand or sawdust) in the water lines. Let water drain into a bucket, and check the water temperature. Connect the supply hose to the water inlet valve.



- This dishwasher may be fed with either hot or cold water. If the water can not be maintained below 65°C, the dishwasher must be connected to cold water.
- When connecting, you may use sealant tape or sealing compound to avoid water leaks.
- Make sure that the line is not kinked or sharply bent.
- It is recommended that the new inlet hose be used and not the existing or old hose.

■ Final check and assembling

1. Securely hand tighten supply hose to the water supply.
Plug the power supply cord into an earthed electrical point and switch on.
2. After installing and prior to using the dishwasher with crockery, we recommend that you use the dishwasher on **Quick** mode to rinse through. At this stage it is useful to ensure that there are no operating problems or water leaks.
When the dishwasher is used for the first time, there may be a loud noise, if this happens, turn off the power and restart the dishwasher.

■ How to level the dishwasher

After installing the dishwasher, you may notice a slight sticking of the door to the dishwasher, when you open or close the door. If this does happen you need to adjust the level of the dishwasher.

Case 1. In case the door is slanted to the right

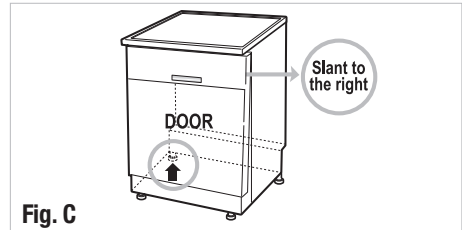


Fig. C

- If the door slants to the right, see fig. C and follow these instructions:
 - 1) Unscrew(counter-clockwise) the left leg of the back side and correct the level.
 - 2) Check the opening of door and repeat if necessary until the door opens and closes properly.
- When the product is correctly leveled, there should be no slant, stickiness or friction sound.

Case 2. In case the door is slanted to the left

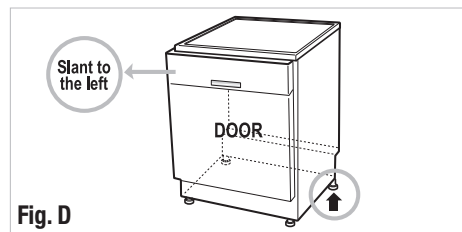
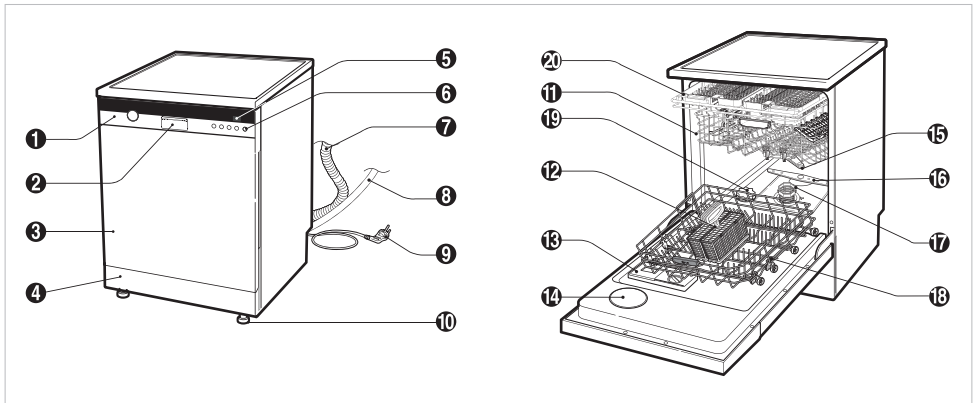


Fig. D

- If the door slants to the left, see fig. D and follow these instructions:
 - 1) Check the opening of door if there still remains sticky or friction sound.
 - 2) Check the opening of door and repeat if necessary until the door opens and closes properly.
- When the product is correctly leveled, there should be no slant, stickiness or friction sound.

PARTS NAME



1. Control Panel
2. Door Handle
3. Front Cover
4. Lower Cover
5. Display Window
6. Power Button
7. Drain Hose
8. Inlet Hose
9. Power Cord
10. Adjustable Leg

11. Upper Rack
12. Cutlery Basket
13. Detergent And Rinse Aid Dispenser
14. Vapor Vent Cover
15. Upper Spray Arm
16. Lower Spray Arm
17. Filter ASM
18. Lower Rack
19. Salt Container Cap
20. Cutlery Rack

Accessory

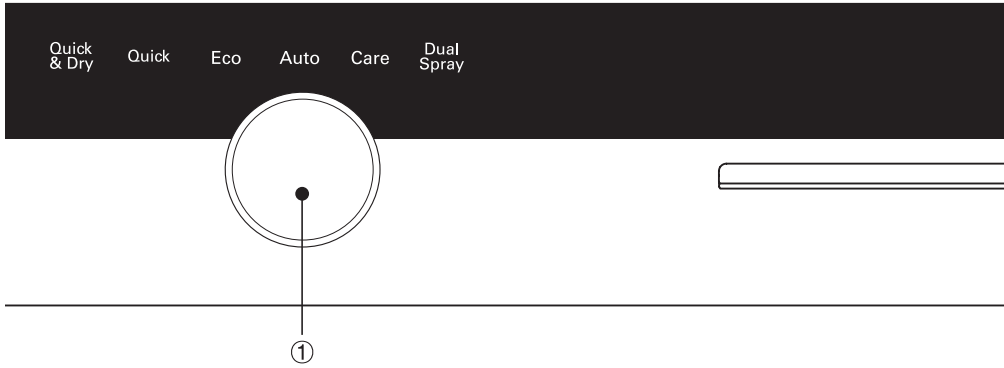


Funnel

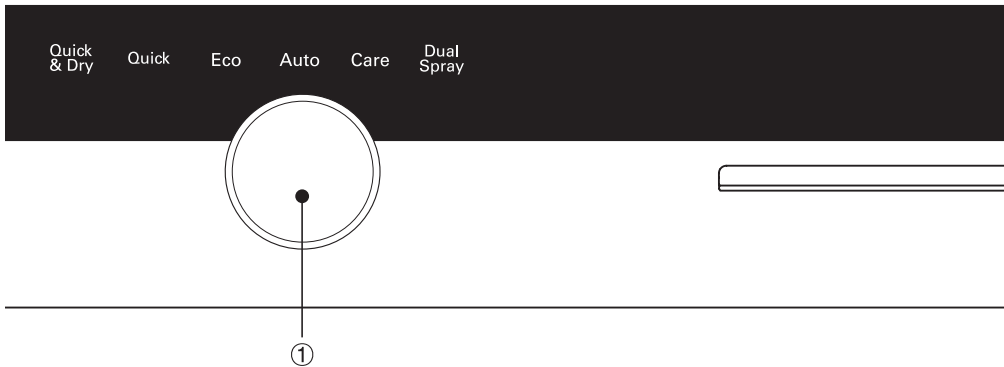
※ The appearance and specifications may vary without notice.

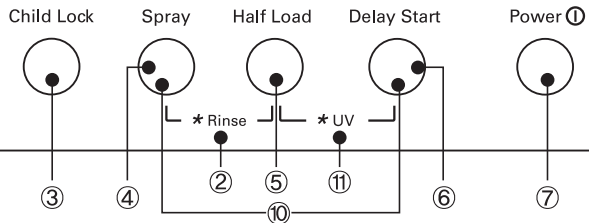
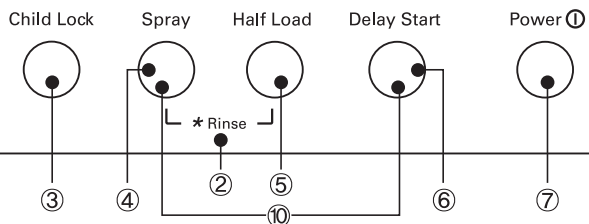
FUNCTION OF CONTROL BUTTON

■ MODEL : D1453W(L,M,T,B,C,D,A)F(B,U)



■ MODEL : D1463W(L,M,T,B,C,D,A)F(B,U)





FUNCTION OF CONTROL BUTTON

① Programme

- Press the cycle that corresponds to your desired wash cycle.

② Rinse

- Repeated pressing of the **Spray** and **Half Load** button will select Extra Hot, Rinse+, Extra Hot & Rinse+.
- If you select the **Extra Hot (88°C)** function, the operating temperature will be up to 80°C. (Eco, Auto, Care, Dual Spray)
- When you select **Rinse+** (☹️) an additional rinse cycle is added.

③ Child Lock (🔒)

- Used to lock or unlock the control buttons to prevent all the settings from being changed by a child.
- To activate or release the **Child Lock** function, press the **Child Lock** button for 3 seconds while the dishwasher is in operation.
- All controls will be disabled except the **Child Lock** and **Power** buttons.
- Turning off the dishwasher will not reset the **Child Lock** function. You must release the **Child Lock** before you can operate the dishwasher.

④ Spray

- With each press, the level of water jet is changed to **Soft** (☼), **Medium** (☼☼) and **Strong** (☼☼☼) in a sequence. (Only Care and Dual Spray)

⑤ Half load

- In case of small load, use upper or lower rack only to save energy.
- With each press, select **Upper** (📦) or **Lower** (📦) rack only. (Except Quick & Dry)
- In case you don't select this button, the machine always works vario washing, which operates upper and lower spray arm alternately.

⑥ Delay Start

- If you want to delay the start of selected programme, press this button.
- Pressing this button will increase time by 1 hour.
- The delay start time can be adjusted from 1 hour to 19 hours.

⑦ Power

- For operating, press this button first for power on.
- After operating, this button automatically switches off for safety and energy saving.
- In case of irregular surge disturbance to the machine, the power may be automatically turned off for safety.

⑧ Indicator

- 🔒 • Child Lock.
- ☼☼☼ • Refill with rinse aid.
- ☹️ • Refill with special salt.
- ☼☼☼ • UV

⑨ Time Left

- Before starting, the display window shows the running time of the selected programme.
- After starting, the display window shows the remaining time.
- If the dishwasher has a trouble, the trouble type is displayed. (OE, FE, IE, EI, HE, LE, tE)
- If these error letters are displayed, please refer to the trouble shooting guide page 30 and follow the guide.

⑩ Beep On/Off

- The dishwasher must be switched on.
- The beep on/off function can be set by pressing the **Spray** and **Delay Start** button simultaneously for a few seconds.

⑪ UV

- If you want to sterilise the dishes, press **Half Load** and **Delay Start** button.
- After drying cycle, steriliser will be performed by UV lamp.
- At this time, St code is displayed in display window.
- When you open the door of dishwasher, UV lamp is turned off.
- ※ Don't look at the lamp directly with the naked eye.

BEFORE USING FOR THE FIRST TIME

Hardness setting

※ You have to check your water hardness and set the softening system level before operating your dishwasher.

Step 1. Check and find water hardness level

Method 1


- 1) Check the water hardness in your area.
(Your water utility company can help you with this.)
- 2) Set the softening system level of your dishwasher according to the water hardness level.
Refer to Step 2.

< Water hardness level >

°dH	°fH	°Clarke	mmol/l	°L
0-3	0-6	0-4	0-6	H0
4-6	7-11	5-8	0.7-1.1	H1
7-9	12-16	9-11	1.2-1.6	H2
10-12	17-21	12-15	1.7-2.1	H3
13-16	22-29	16-20	2.2-2.9	H4
17-21	30-37	21-26	3.0-3.7	H5
22-30	38-54	27-38	3.8-5.4	H6
31-50	55-89	39-62	5.5-8.9	H7

(*L : Softening system level)

Method 2

- 1) Check your water hardness by using test strip. 
- 2) Test Procedure
 - ① Immerse **all reaction zones** of the test strip for **approx.1sec (not in running water!)**.
 - ② Shake off excess liquid from the strip and **wait for 1min.**
Then, the green colour of the reaction zone will change to the red-violet.
 - ③ Count the number of red-violet from the strip.

< Water hardness level >

Number of the areas (red-violet)	Hardness range					Water quality	Softening system level
	°d	°e	°f	mmol/l (Ca+Mg)	mg/l Ca		
1	<7	<9	<12,5	<1,3	<50	soft	H0, H1
2	7 - 14	9 - 17,5	12,5 - 25	1,3 - 2,5	50 - 100	moderately hard	H2, H3
3	14 - 21	17,5 - 26	25 - 37	2,5 - 3,8	100 - 150	hard	H4, H5
4	>21	>26	>37	>3,8	>150	very hard	H6, H7

1 °e = 14.25 mg/l CaCO₃

1 °f = 10 mg/l CaCO₃

1 °d = 10 mg/l CaO (=1,78 °f) (=1,25 °e)

- 3) Set the softening system level of your dishwasher according to the water hardness level.
Refer to Step 2.

Step 2. Setting up the softening system level of your dishwasher

Adjust the water softener to the setting corresponding to the water hardness level in your area.

The water softener has 8 adjustment levels.

The dishwasher is programmed at the factory for a water hardness level of H4.

This can be checked and altered by using the buttons on the control panel.

1. First, ensure the dishwasher is switched off.
2. Press **Half Load** and **Power** button simultaneously and keep them pressed.
3. To change the setting:
Simply press the **Half Load** button, then the figure will change one by one.
The display will change between H0 and H7.
4. Once the hardness setting is correctly adjusted, press the **Delay Start** button.
The hardness setting is then saved.

BEFORE USING FOR THE FIRST TIME

Step 3. Salt Filling

This model has a water softener to soften hard water. Please read these notes carefully for correct operation.

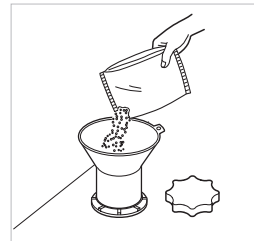
In order to provide satisfactory rinsing results, the dishwasher requires soft water, i.e., containing little or no lime, otherwise water stains will be left behind on the dishes and interior containers. If the tap water exceeds a certain level of hardness, it must be softened, i.e., decalcified. This is achieved by adding a special salt to the water softener inside the dishwasher. The required amount of salt is set up according to how hard your tap water is.

■ Filling with Salt

Fill the regenerating salt container **before starting the washing programme.**

Once you have filled with salt you must run the **Quick** course immediately to remove salt and salt water around the tub in order to prevent corrosion.

- Remove lower rack and unscrew the cap of salt container.
- Before using your dishwasher for the first time, it is necessary to **Pour 1.5kg of salt and 1 litre of water** in to the container. **Otherwise salt refill lamp always turn on during operation.** Use a funnel for ease and clean filling, ensuring that coarse salt or regenerating salt intended for dishwashers is used.
- After filling, wipe off any spilled salt to seal the cap properly.
- Screw the cap tightly to prevent any suds from penetrating into the container.



Step 4. Adding Rinse Aid

■ For filling

To fill the Rinse Aid chamber, push the rinse aid button. Fill the container to the maximum level with a good quality Rinse Aid, then close the cap. The Rinse Aid is automatically dispensed during the final rinse cycle.

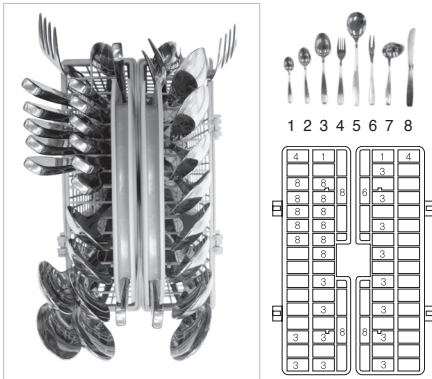
The dosage is factory set to suit most installations. If, after washing, you notice cloudy spots, streaks or water marks on your glassware, it may be necessary to increase the setting. To do this, remove the cap and rotate the indicator arrow to a higher setting then replace the cap. If the glass is smeared or foam is present on the bottom of the glass or the bottom of the machine, select a lower setting.



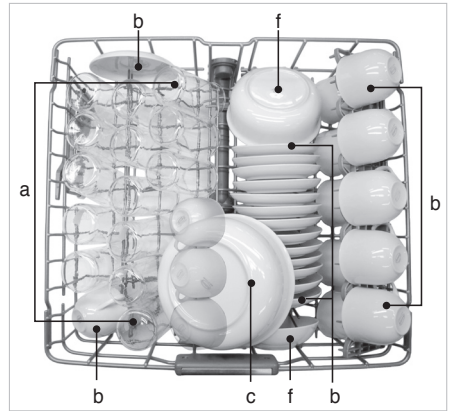
INFORMATION FOR ENERGY TEST(EN50242)

- Appliance loaded in accordance with standard specifications.
- Capacity : 14 place settings
- Comparability course : Eco
- Rinse Aid setting : 4
- Reference cleaner : 35g of detergent onto the inside surface of the door.
- Height-adjustable Rack-U must be inserted into the uppermost position.

1. Cutlery Basket

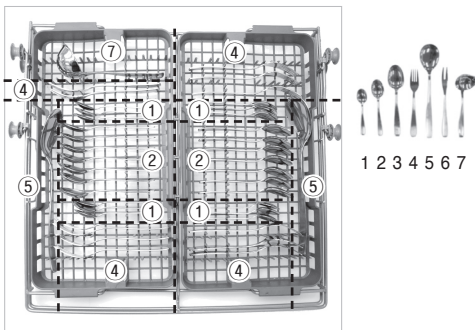


3. Upper Rack

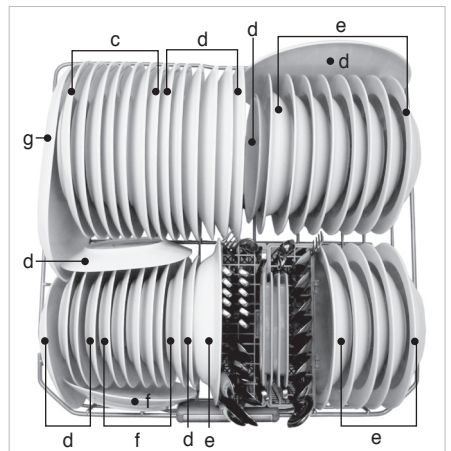


a	Milk	b	Tea	c	Meat
d	Egg	e	Oat	f	Spinach
g	Margarine				

2. Cutlery Rack



4. Lower Rack

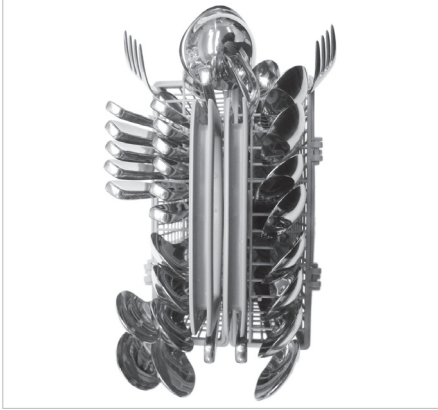


a	Milk	b	Tea	c	Meat
d	Egg	e	Oat	f	Spinach
g	Margarine				

HOW TO USE AND OPERATE

■ Daily use load

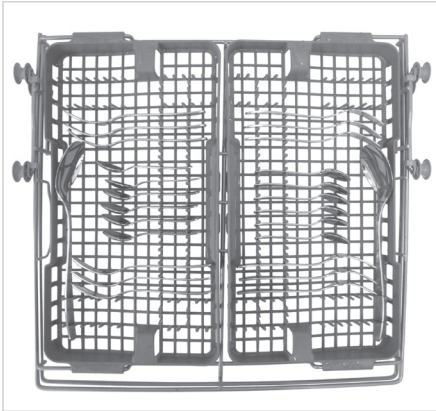
1. Cutlery Basket



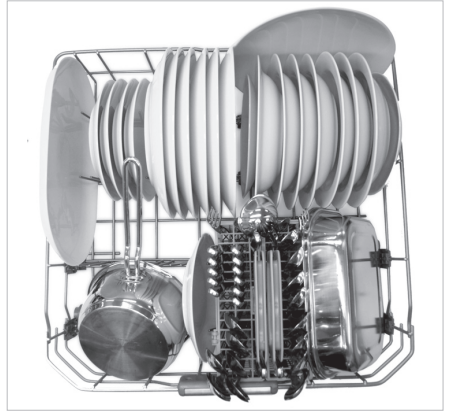
3. Upper Rack



2. Cutlery Rack



4. Lower Rack



⚠ CAUTION

- Do not use the pot and pan with plastic handle.
- Poor washing for smudges of waterproof or long lasting lipsticks on the glass.

HOW TO USE AND OPERATE

For better washing performance, always load the dishwasher according to the instructions.

- Before loading items into the dishwasher.
 - Clean off large particles of food, in particular insoluble items such as bones, pips etc.
 - Items with burnt on food should be soaked prior to loading in the dishwasher.
- While you load items into the dishwasher.
 - Load all items with the opening down. (Make sure that water does not collect in a deep base.)
 - Deep based items should be placed at an angle to help water run off and dry properly.
 - Make sure that all items do not touch each other.
- Take care not to obstruct the rotation of spray arms.
- Plastic items do not dry as well as steel or porcelain items.

NOTE

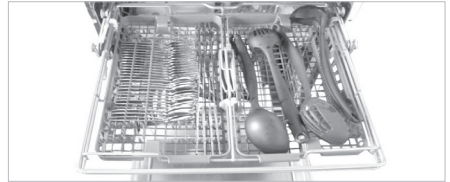
Non Dishwasher Safe Items

The combination of high water temperatures and dishwasher detergent may damage particular items, therefore we do not recommend using the dishwasher to wash the following:

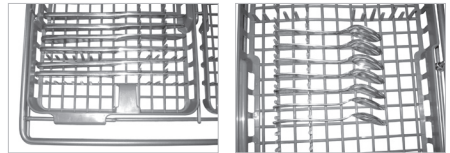
- Copper or anodised aluminium
- Hand painted silver or gold leaf crockery
- Wood or bone handled utensils
- Iron or non rust proof utensils
- Plastic items which are not dishwasher safe
- Expensive one such as silvers and dishes with golden rings
- Fragile item such as crystal glasses

1. Cutlery Rack

The cutlery rack is suitable for flatware and most cooking or serving utensils.



Knife, fork and spoon handles should be positioned between the tines.

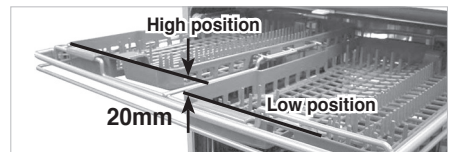
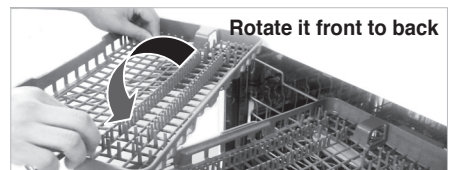
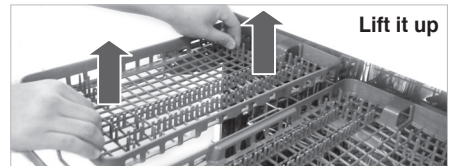


WARNING

- Be careful when loading and unloading sharp-edged items. Load sharp knives with the blade down in order to reduce the risk of injury.

■ Height Adjustable tray

Each side tray can be adjusted independently to a high or low position to accommodate different sizes of utensils or cutlery.



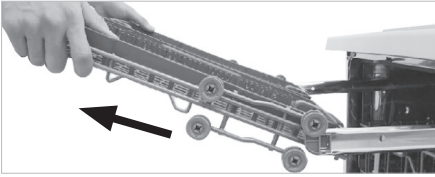
HOW TO USE AND OPERATE

■ Removable Cutlery Rack

The entire cutlery rack can be removed if more space is needed on the upper rack for larger items.

ⓘ NOTE

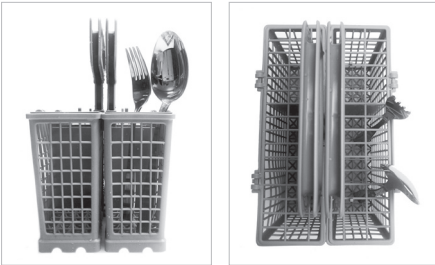
Always remove cutlery from the rack before removing the rack.



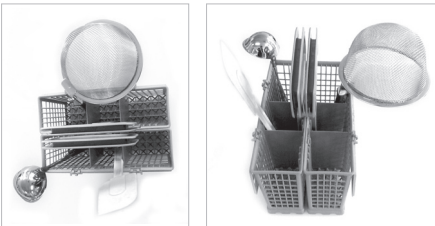
Pull the rack out to the end of the rails, then lift the front of the rack so the rollers clear the stop on the end of the rail. The rack can now be slid forward and removed from the rails.

2. Cutlery Basket

Place forks and spoons in the cutlery basket with their handles downwards.

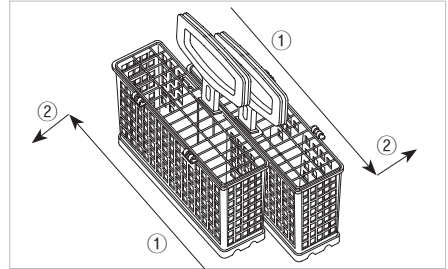


For large utensils, such as whisks, the cover can be opened by being unhinged. Take care not to obstruct the rotation of the spray arm.



The cutlery shouldn't be longer than 18cm. (In this case, use cutlery rack.)

The basket can be split along its length, increasing the lower rack's loading versatility.



Slide two baskets in opposite directions, then pull them apart.

⚠ WARNING

- To prevent injuries, place knives and other utensils with sharp points on the cutlery rack.
- If you want to load them in the cutlery basket, place them with the pointed edges facing downwards.

3. Lower Rack

The lower rack is suitable for dinner plates, soup bowls, dishes, pots, pans, lids and even the grill tray.



Plates should be positioned upright and facing the centre of the rack and pots, pans and large dishes must be turned upside down.

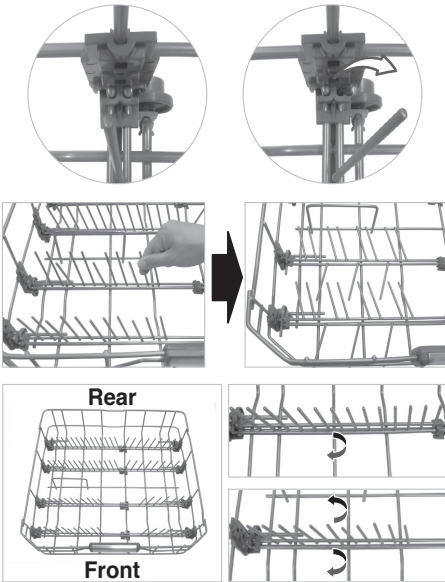
HOW TO USE AND OPERATE

Take care not to obstruct the rotation of the spray arms.



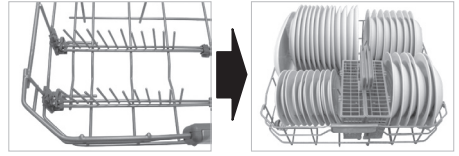
To make it easier to load larger dishes, the front row of tines can be **folded down**.

■ How to fold down



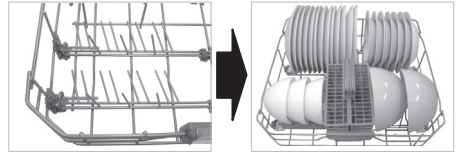
The front side rows are composed with a pair of rows of tines. Each pair can be folded separately to load large dishes, especially bowls. To make the space between two tines wider, fold down the rear row of each pair. Fold down the back side rows of tines to load pots.

• E.g.) Loading dishes



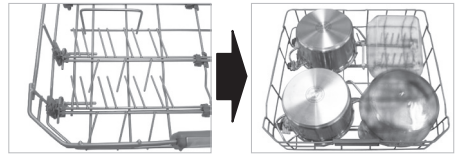
Fold up whole tines.

• E.g.) Loading bowls



Fold down the rear row of each pair of tines.

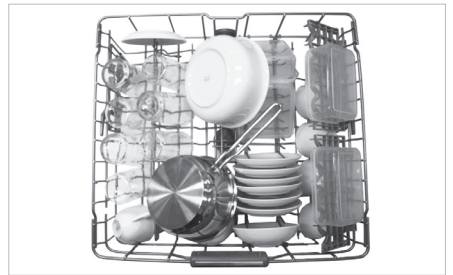
• E.g.) Loading pots



Fold down whole tines.

4. Upper Rack

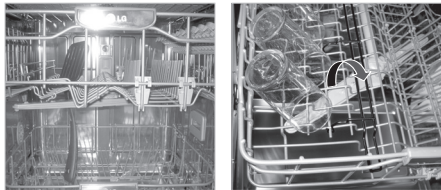
The upper rack is suitable for delicate items such as, small plates, long cutlery, cups, glasses and dishwasher safe plastic items.



Plates should be positioned upwards with the plate bottom facing the front of the rack. Cups, glasses and bowls must be positioned upside down.

HOW TO USE AND OPERATE

Take care not to obstruct the rotation of the spray arm under the upper rack.



To make it easier to load larger cups or glasses, the left side row of tines can be folded down. For the upper rack's position, dishes shouldn't be larger than 25cm with the upper position, nor 20cm with the lower position.

■ How to fold down

• Pull up the tine



• Rotate the tine



Long stem glassware can be placed without interference from the lowered tines.

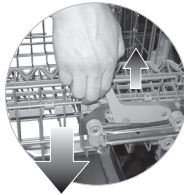
The cup racks can be folded up out of the way for tall crockery items.



■ Adjusting the height of the upper rack

The height of the upper rack can be adjusted when you load glasses with long stems or tall crockery items.

• Move the upper rack to the lower position



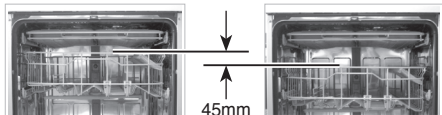
Pull up the levers on either side of the rack.

• Move to upper position



Lift the rack upward.

There is a 45mm gain in height when the upper rack is moved to the lower position.



After adjusting the rack levels, check that the spray arms are free to rotate.

⚠ WARNING

- **Before adjusting, ensure the rack is empty of all crockery.** Otherwise crockery may get damaged or you may get injured.
With the lower position of the upper rack, check if the bottom part of upper rack including spray arm is not disturbing items on the lower rack.
- When the upper rack is in the lower position, push in the upper rack first, and the lower rack later.
(Pull out the lower rack first, and the upper rack later.)

HOW TO USE AND OPERATE

5. Adding Detergent

- Detergent must be put into the detergent chamber before starting every programme.
- Please follow the manufacturer's instructions within the manual, when determining the correct amount of detergent to use.
- If your dishes are moderately dirty, you may use slightly less detergent than recommended.
- Chambers hold up to 50g including pre-wash chamber.
- The amount of detergent required depends on the programme. Please refer to the guide table.

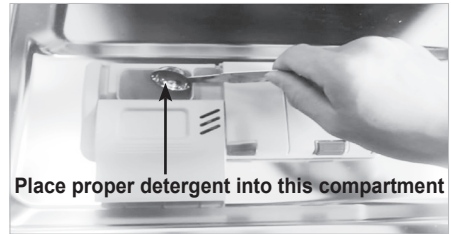
PROGRAMME	AMOUNT OF DETERGENT	
	Pre-wash (Onto the door)	Main-wash (Dispenser)
Quick & Dry	5g	20g
Quick	-	10g
Eco	-	35g
Auto	5g	30g
Care	-	20g
Dual Spray	5g	30g

- The detergent is dispensed automatically during the operation.
- The chamber lid remains open after operation.

NOTE

Detergent Information

- Use only the detergent intended for household dishwashers. (Ordinary hand-washing detergent should not be used, because the foam will interfere with proper operation.)
- When using some dishwasher tablets, the dispenser may not open due to their excessive size.
- If this happens, place the tablet onto the floor of the tub.



HOW TO USE AND OPERATE

⚠ WARNING

- The detergent used is a special Dishwasher detergent and like all household chemicals it should be treated as harmful and kept out of reach of children.
- **After completion of the wash programme, the detergent compartment should be checked and any remaining detergent removed.**

⚠ CAUTION

Using combined detergent products (ex.3 in 1)

- Some products integrated with rinse aid work best with specific programmes only. You will obtain optimum rinsing and drying results by using conventional rinse aids.
- The use of Dishwasher Tablet products may also cause the soap dispenser to remain shut, therefore failing to dispense the soap tablet. These combined detergent products can alternatively be placed in the filter prior to starting the wash cycle. Please contact the detergent manufacturer if the drying performance is very poor or you find white foam, when you use the combined detergent products. The rinse aid dial should be set to minimum when using wash tablets with built in rinse aid. Excessive rinse aid can cause foaming at the end of the wash. We do not warrant the complaints that are directly related to the use of these products. Do not use liquid rinse aid if using tablets containing a rinse aid agent.

6. Refilling

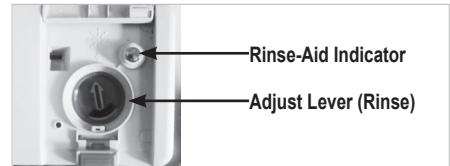
■ For refilling Rinse Aid

Depending on the dosage setting and the number of washes, the chamber may need to be topped up, approximately once a month. The rinse aid level can be checked by two methods.

- By the indicator window on the dispenser when the dishwasher door is fully open.

● **Black indicates sufficient Rinse Aid**

○ **Clear indicates Rinse Aid required**



- By the light on the control panel, being lit, when the dishwasher is working on.

■ **D1453****



■ **D1463****



When the lamp is lit, it means the rinse aid is almost empty. Refill the Rinse Aid chamber as soon as possible.

ⓘ NOTE

Rinse Aid Information

- Rinse Aid is necessary to remove spots and streaks of the water from dishes as well as improved drying. Using the correct amount will improve wash performance. However, using too much can produce excess foam leading to possible water leaks.

HOW TO USE AND OPERATE

■ For refilling Salt

When the salt container is empty, the salt refill lamp will automatically turn on during operation. The salt should be refilled after the cycle has finished. We recommend the salt refill should always be carried out, as mentioned on previous page, prior to starting the next operation. This will immediately thin and drain away any excess salt solution.

■ D1453**



■ D1463**



When the lamp is lit, this means that the salt aid is almost empty. Refill the Salt Aid chamber as soon as possible.

7. Drying

- To assist drying, we recommend that the door be partially opened after the cycle. The display will indicate Cd(cool dry) for a further 60 minutes after the end of the cycle time. It can be interrupted or terminated by simply opening the door.
- The use of rinse aid is recommended for optimum drying results.
- Select the Extra Hot option to get better drying results.

🔊 NOTE

- After filling with salt, it may take a little while before the indicator light turns off.
- When the control is set to *HD*, it is not necessary to fill up with salt as no salt is consumed while the dishwasher is operating. If the control is set between *H1* and *H7*, then salt must be added to the salt container.

⚠ WARNING

- **Do not pour detergent into the salt container.** This will destroy the water softener.

OPERATING SEQUENCE

1. Press the Power button

2. Check there is rinse aid and salt

The corresponding indicator lights will illuminate if refilling is required.

3. Open the door and check the filters

Ensure they are clean and properly positioned. (See User Maintenance Instructions)

4. Load the dishes

Remove any excess food.
Pull the lower rack out and arrange the dishes and cutlery.
Pull the upper rack out and arrange the cups, glasses, etc.

⚠ CAUTION

- Do not load the items in upper rack when the lower rack is pulled out and loaded.

5. Ensure the spray arms can freely rotate

6. Measure out detergent

Add the required amount of detergent into the dispenser and close the lid.

7. Setting and starting the programme

Press the programme button to select the desired programme.
After 10 seconds, the machine will start.
If necessary, select the option function corresponding to the desired programme.
The indicator lights of the programme and all the phases of the programme will come on.
Before starting, the display window shows

the running time of the selected programme.

After starting, the display window shows the remaining time.

The time in the display window will start to decrease minute by minute.

If the door is opened during the programme a safety device ensures that the machine stops.

Once the door is re-closed the programme will start from where it was interrupted.

8. At the end of the washing programme

End is displayed on the digital display and a buzzer sounds.

And the dishwasher automatically switches off for safety and energy saving later.

If you select UV function, the dishwasher automatically switches off after sterilising action.

⚠ CAUTION

- **Empty the lower rack first and then the upper one;** this will avoid water dripping from the upper rack onto the dishes below.

⚠ WARNING

- In general it is not advisable to open the door while the machine is working.
- If the door is opened, a safety device ensures that the machine stops.
- Care must be taken if the door is opened during the hot phase or immediately after a programme has finished, as steam may escape.

⚠ CAUTION

- The door should not be left in the open position since this could present a tripping hazard.

PROGRAMME

- ▶ Running time may vary according to the water temperature, water pressure and voltage.
- ▶ Running time doesn't include Cool Dry - 60min.

Programme	WASH		RINSE			DRY	COOL DRY
	Pre Wash	Main Wash	Rinse 1	Rinse 2	Heating Rinse		
Quick & Dry		65°C			70°C		■■■■■■■■
Quick		60°C			65°C		■■■■■■■■
Eco		43°C			59°C		
Auto	The programme sequence is optimised and adapted in accordance with how dirty the dishes are.						
Care		50°C			70°C		■■■■■■■■
Dual Spray	45°C	60°C			70°C		■■■■■■■■

▶ Quick & Dry

This programme offers good washing performance within 60 minutes. To assist drying, we recommend to open the door partially when you see the small amount of wet streaks or drops after the cycle. Opening the door right after the cycle may set the High temperature alarm off.

According to the degree of soiling, the programme automatically adjusts the washing time and temperature.

As a result, the energy and water consumption is kept as low as possible. The F ON display means that the sensor is sensing the status of the dishwasher.

▶ Quick

Can use for lightly soiled recently used dishes and cutlery.

▶ Care

This cycle adds the gentle power of steam to boost the cleaning power of the delicate cycle. The cycle is adequate for effectively cleaning delicate items like fine china or stemware.

▶ Eco

This programme offers efficient energy and water consumption for a good washing performance on a moderately soiled load.

▶ Dual Spray

This cycle washes the upper and lower racks at different spray intensities. The lower rack is washed with a strong spray for hard to clean items, while the upper rack is washed with a medium spray for more delicate items. This provides optimum cleaning performance for mixed loads, including fine china and stemware.

▶ Auto

During the Auto programme, the degree of soiling in the dishes is determined by the amount of clouding to the water.

■ Auto Restart

If the dishwasher is turned off by a power failure, it will restart from the position it stopped at adjusting accordingly when you press the **Power** button again.

USER MAINTENANCE INSTRUCTIONS

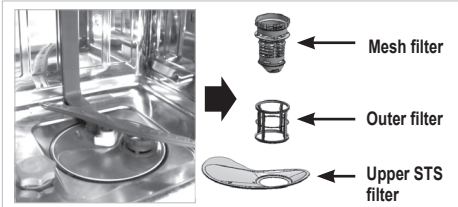
To prevent trouble and poor operating, it is important to check filters and spray arms at regular intervals.

■ Keeping the dishwasher

- If you are not using the dishwasher for a long time, run a Quick & Dry cycle without detergent.
- When the cycle is finished, clean the dishwasher according to the USER MAINTENANCE INSTRUCTIONS to remove the food debris at the bottom of the dishwasher and close the door.

■ Filters

- Remove the lower rack first.
- Turn the mesh filter counterclockwise.
- Take out the mesh filter, upper STS filter and outer filter.
- We recommend to clean them and run the Quick & Dry cycle without detergent at least once a week.
- Replace them in the reverse order.

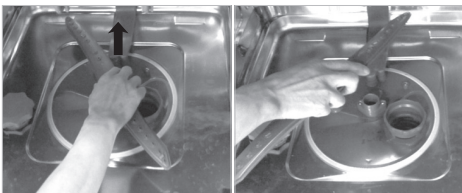


NOTE

- After each cycle, clean the filter for a better washing result.
- Before starting, check that the filter is assembled well. If the filter is not assembled correctly, you might have a poor cleaning result.

■ Lower Spray Arm

- Check that the water jet holes are not blocked.
- If cleaning is required, remove the arm by pulling up.
- Clean the spray arm and replace it pulling down.



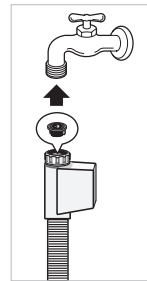
■ Upper Spray Arm

- Pull the upper rack forwards.
- Check that the water jet holes are not blocked.
- If cleaning is required, remove the arm by unscrewing the nut.
- Clean the spray arm and replace it in the reverse order.



■ Water Inlet

- A filter is incorporated in the connection of the valve on the water inlet hose. If insufficient water flows into the dishwasher, check that the filter is not blocked.
- Cleaning the filter
 - Disconnect the dishwasher from the mains supply. Switch off at the mains socket and remove the plug.
 - Turn off the tap.
 - Unscrew the inlet hose.
 - Remove the filter from connection.
 - Clean the filter in the supply hose under running water.
 - Refit the filter, making sure it is sitting correctly.
 - Reconnect the inlet hose to the tap.
 - Turn on the tap.
- If there is a leak, the inlet hose might not be on securely, or it may have been screwed on at an angle. Unscrew and reconnect the water inlet valve correctly.
- Reconnect power supply.



TROUBLE SHOOTING GUIDE

- If a problem occurs check below to see whether this can be solved.
- In the unlikely event that the problem cannot be rectified, please contact a service engineer.

■ Before calling for service

Problem	Possible Causes	Solution
No lights come on when the power is turned on.	<ul style="list-style-type: none"> • Plug is not properly inserted into the socket. • Fuses blown or circuit breaker tripped. • The electricity from the house was cut off. 	<ul style="list-style-type: none"> • Check the plug. • Check the electricity. • Call for service.
The machine does not start.	<ul style="list-style-type: none"> • Door is not fully closed. • The start button is not pressed. 	<ul style="list-style-type: none"> • Close the door. • Press the start button.
The spray arms do not rotate smoothly.	<ul style="list-style-type: none"> • The mounting of the spray arms is blocked by food particles. 	<ul style="list-style-type: none"> • Clean the holes of the spray arm.
White deposits are left on the dishwasher after washing.	<ul style="list-style-type: none"> • The amount of detergent or rinse-aid set incorrectly. • The salt container is empty. • The salt container cap is not securely screwed on. 	<ul style="list-style-type: none"> • Check the detergent or rinse-aid. • Check the salt container or cap.
Streaks are left on glassware.	<ul style="list-style-type: none"> • Too little Rinse-Aid dispensed. 	<ul style="list-style-type: none"> • Fill the rinse-aid. • Adjust the level of rinse-aid container.
Dry results are not satisfactory.	<ul style="list-style-type: none"> • Too little Rinse-Aid dispensed. 	
Washing results are not satisfactory.	<ul style="list-style-type: none"> • Incorrect amount of detergent. • Utensils incorrectly arranged or overloaded. • Filters are clogged. • Water jet holes of spray arms blocked. • Spray arm's rotation obstructed by utensils. • Unsuitable programme selected. 	

TROUBLE SHOOTING GUIDE

■ Before calling for service

Problem	Possible Causes	Solution
The display shows OE code. (Water is not pumped away.)	<ul style="list-style-type: none"> • The drain hose is kinked. • The filter is clogged. • Motor trouble. (Washing motor or Drain motor) 	<ul style="list-style-type: none"> • Straighten hose(s). • Clean the filter. • If you can not solve the problem, call for service.
The display shows IE code.	<ul style="list-style-type: none"> • Water is not supplied. • Water tap is not opened. • Water sensor has trouble. 	<ul style="list-style-type: none"> • Check the water tap. • If you can not solve the problem, call for service.
The display shows EI code. (Automatically Drain pump operated.)	<ul style="list-style-type: none"> • Water is leaking from the hose connections. • Damage to the unit has been caused by a water leak. 	<ul style="list-style-type: none"> • Close the water tap and unplug the power plug. • Call for service.
The display shows FE code. (Automatically Drain pump operated.)	<ul style="list-style-type: none"> • Excessive water is supplied, which is more than the normal water level. • There is a problem with the inlet valve. 	
The display shows HE code.	<ul style="list-style-type: none"> • The water heater circuit is damaged. 	
The display shows tE code.	<ul style="list-style-type: none"> • Thermistor trouble or very high inlet water temperature. 	
The display shows LE code.	<ul style="list-style-type: none"> • Motor trouble. 	

TROUBLE SHOOTING GUIDE

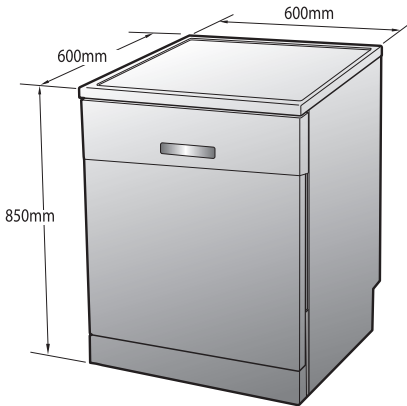
- These are not error codes indicating a malfunction.

■ Before calling for service

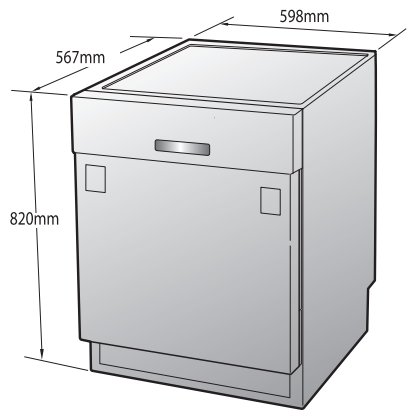
Code	Description
The display shows PF code	This indicates there was a power failure. This function protects the dishwasher in the event that the power goes out or the power to the unit is disrupted. When power is returned, and a button is pushed, this will display for 10 seconds and then go away.
The display shows Cd code	Cd means Cool-dry. This is an additional drying cycle to assist drying performance. This cycle runs for a further 60 minutes after the course has finished. It can be interrupted at any time by opening the door.
The display shows CL code	CL means Child-Lock. This function is used to lock or unlock the control buttons to prevent all the settings from being changed by a child. It can only be activated during the wash cycle.
The display shows F code	When the unit is displaying F , the sensor is measuring the water clarity. After 5 minutes of sensing (except draining and filling), the unit's display will then show the processing time.
The display shows numbers between 1 ~ 19	This is not an error code, but indicates the setting of the delay start. To cancel the function, turn the power off. To change the course and option, open the door and select another course and option. Countdown will then continue after door is closed again.
Buzzing sound. (High Temperature Alarm)	This is not an error. When you open the door right after heating wash, rinse or dry, buzzing sound would keep on ringing for safety if the inside is heated.
Odor	If the dishwasher is not used daily, we recommend to run a Quick cycle once or twice a day until you have a full load. In case odor still persists, run a vinegar rinse through a Auto cycle by putting 2cup(500ml) of white vinegar in an upright measuring cup in the lower rack, without detergent. We recommend to maintain according to the USER MAINTENANCE INSTRUCTIONS.

SPECIFICATION

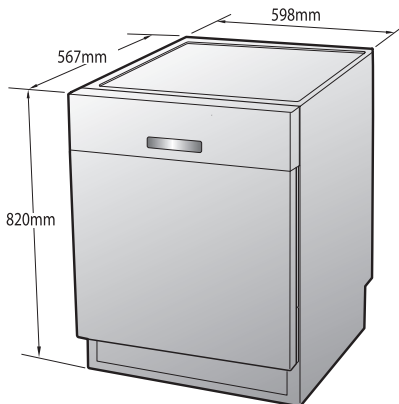
D1453W(L,M,T,B,C,D,A)F
D1463W(L,M,T,B,C,D,A)F



D1453W(L,M,T,B,C,D,A)B
D1463W(L,M,T,B,C,D,A)B



D1453W(L,M,T,B,C,D,A)U
D1463W(L,M,T,B,C,D,A)U



Capacity	14 Place settings
Weight	See rating label
Power Supply	See rating label
Power Consumption	See rating label
Water Feed Pressure	50 ~ 800 kPa



You may also find owner's manual in video version at following link
www.lg.com/steamdishwasher



دليل المالك غسالة الصحون

قبل البدء في التركيب، اقرأ هذه التعليمات بعناية.
سيسهل ذلك عملية التركيب ويضمن أن غسالة الأطباق مثبتة بالشكل الصحيح وبأمان.
اترك هذه التعليمات بالقرب من الغسالة بعد التركيب للرجوع إليها في المستقبل.

D1453W(L,M,T,B,C,D,A)F(B,U)

D1463W(L,M,T,B,C,D,A)F(B,U)



شكرا لك على شرائك غسالة أطباق LG.

يرجى قراءة دليل المالك الخاص بالمنتج بعناية، فستجد فيه تعليمات وإرشادات مهمة للسلامة عن تركيب المنتج واستخدامه وصيانته.

احتفظ بها للرجوع إليها في المستقبل.

سجل رقم الطراز والرقم المسلسل الخاص بغسالة الأطباق خاصتك.

رقم الطراز

الرقم المسلسل

تاريخ الشراء

تسلسل التشغيل ٢٦

البرنامج ٢٧

تعليمات الصيانة للمستخدم

حفظ غسالة الأطباق ٢٨

المصافي ٢٨

ذراع الرشاش السفلي ٢٨

ذراع الرشاش العلوية ٢٨

مدخل الماء ٢٨

دليل تحديد المشاكل وحلها

قبل الاتصال لطلب خدمة الصيانة ٢٩

المواصفات ٣٢

المحتويات ٢

تعليمات مهمة للسلامة

تعليمات مهمة للسلامة ٣

اقرأ كافة التعليمات قبل الاستخدام ٤

احفظ هذه التعليمات ٥

تعليمات التركيب

تحضير مكان مناسب بين الخزن ٧

الاجراءات اللازمة لإجراء التمديدات الكهربائية ٧

تحضير غسالة الصحون للتركيب ٨

تركيب غسالة الصحون بين الخزن ٨

توصيل خط التصريف ٩

توصيل خرطوم مدخل الماء ١٠

الفحص النهائي والتجميع ١٠

كيفية ضبط مستوى ارتفاع الغسالة ١٠

أسماء الأجزاء ١١

وظائف أزرار التحكم ١٢

قبل الاستخدام لأول مرة

إفحصي وتعرفي على مستوى درجة عسرالماء ١٥

إعداد مستوى نظام التخفيف في غسالة الأطباق الخاصة بك ١٥

ملء الملح ١٦

إضافة مساعد للشطف ١٦

معلومات اختبار الطاقة ١٧

كيفية الاستخدام والتشغيل

حمل الاستخدام اليومي ١٨

رف أدوات المائدة ١٩

سلة أدوات المائدة ٢٠

الرف السفلي ٢٠

الرف العلوي ٢١

إضافة مادة التنظيف ٢٣

إعادة التعبئة ٢٤

التجفيف ٢٥

تعليمات مهمة للسلامة

اقرأ كافة التعليمات والتوضيحات الخاصة بعملية التركيب قبل البدء.

⚠ تحذير

لسلامتك، يجب اتباع المعلومات الواردة في هذا الدليل لتقليل مخاطر نشوب حريق أو انفجار، أو الصدمة الكهربائية، أو لتجنب تلف الممتلكات، أو إصابة الأشخاص أو الوفاة.

سلامتك وسلامة الآخرين أمر غاية في الأهمية.

لقد قدمنا العديد من رسائل السلامة في هذا الدليل وعلى الجهاز الخاص بك. قم بقراءة واتباع كافة رسائل السلامة.

هذا هو رمز تنبيه السلامة.



ينبهك هذا الرمز إلى الأخطار المحتملة التي يمكن أن تؤدي إلى وفاتك أو إصابتك وكذلك الحال مع الآخرين.

ستتبع جميع الرسائل المتعلقة بالسلامة رمز تنبيه السلامة أو إما كلمة «خطر» أو «تحذير» أو «تنبيه».

تعني تلك الكلمات ما يلي:

⚠ خطر

قد تتعرض لإصابة بالغة أو الوفاة إذا لم تتبع التعليمات على الفور.

⚠ تحذير

قد تتعرض لإصابة بالغة أو الوفاة إذا لم تتبع التعليمات على الفور.

⚠ تنبيه

قد تتعرض لإصابة طفيفة أو تتسبب في تلف المنتج إذا لم تتبع التعليمات.

ستخبرك كافة رسائل السلامة بالخطر المحتمل. وترشدك إلى الكيفية التي يمكنك تقليل فرص حدوث إصابة. وتخبرك بالنتائج المترتبة على عدم اتباع التعليمات.

تعليمات مهمة للسلامة

■ اقرأ كافة التعليمات قبل الاستخدام

⚠ تحذير

لتقليل خطر نشوب حريق، أو التعرض لصدمة كهربائية، أو الإصابة اتبع الاحتياطات الأساسية، بما في ذلك ما يلي:

- يُرجى قراءة هذا الدليل بعناية قبل استخدام غسالة الصحون لأول مرة.
- يحتوي هذا الدليل على تعليمات مهمة حول كيفية تركيب غسالة الصحون وتركيبها وصيانتها.
- لا يتحمل المصنع أي مسؤولية عن أي مشاكل تنتج عن إهمال تعليمات السلامة والتحذير هذه.
- صمّمت غسالة الصحون هذه للاستخدام العادي في المنزل.
- لا تستخدم غسالة الصحون هذه للأغراض الصناعية أو التجارية أو أي أغراض أخرى غير المصممة لها.
- هذا الغسالة غير مصممة للاستخدام من قبل الأطفال أو الكبار السن العجزة.
- تأكد من عدم وجود أضرار ناجمة عن النقل وفي حال وجود أي أضرار لا تشغل الجهاز واتصل مباشرة بالموزع.
- هذا الجهاز مخصص للاستخدام الداخلي والاستخدامات الأخرى المشابهة:
- ومنطقة المطبخ في المتاجر، والمكاتب وبيئات العمل الأخرى:
- البيوت الزراعية
- من قبل العملاء في الفنادق، والنزل والبيئات السكنية الأخرى:
- غرف النوم وغرف تناول الطعام.
- إذا تم استخدام هذا المنتج في أغراض تجارية، لا يكون هناك أي ضمان عليه.
- (مثال: الأماكن العامة مثل المطاعم، والنزل، ومراكز التدريب، مباني الطلبة)
- إذا تم تثبيت المنتج خارج منطقة الخدمة العادية، يتحمل المالك أي نفقات متكبدة في النقل لإصلاح المنتج، أو استبدال الأجزاء المعيبة.

◀ أثناء التركيب

- لا بد من توصيل التيار الكهربائي وفقاً لما مكتوب على ملصق المتطلبات الكهربائية.
- يتم ضمان السلامة الكهربائية عندما يتم نظام التوصيل الأرضي في منزلك وفق القوانين المحلية (لا تستخدم سلك أو كيبيل توصيل إضافي).
- قم بضبط الماء الساخن إذا كانت حرارة الماء أكثر من 15 درجة مئوية، وفي حال عدم القدر على تخفيض درجة الحرارة يجب توصيل الغسالة بالماء البارد.
- في حال حدوث ضرر للسلك الكهربائي فلا بد من استبداله من قبل موزع الجهاز أو فني الشركة أو أي شخص مؤهل لذلك لتجنب أي خطر.
- يجب تركيب الجهاز بطريقة تسهّل الوصول للقابض الكهربائي.
- يجب استخدام مجموعة جديدة من خرطوم المياه مع هذا الجهاز والتأكد من عدم استخدام الخرطوم القديم.

◀ أثناء التشغيل

- يجب وضع الأواني المنزلية مناسبة في غسالة الصحون
- يُرجى تجنب الأواني الغير مقاومة للحرارة والمزخرفة بالمعادن وغيرها).

تعليمات مهمة للسلامة

■ اقرأ كافة التعليمات قبل الاستخدام

⚠ تحذير

لتقليل خطر نشوب حريق، أو التعرض لصدمة كهربائية، أو الإصابة اتبع الاحتياطات الأساسية، بما في ذلك ما يلي:

- لا تستخدم أي نوع من المحاليل في غسالة الصحون لأن ذلك قد يتسبب بحدوث إنفجار أو حريق.
- لا ترش الماء على الجهاز من الخارج لأن ذلك يؤدي إلى خلل في الأجزاء الكهربائية وحدوث صدمة كهربائية.
- لا تدفع الباب الداخلي إلى أسفل أو تجلس عليه لأن ذلك يؤدي اختلال توازن الباب أو خلل في الجهاز.
- لا تستخدم مادة التنظيف لتنظيف اليدين فهو للاستخدام العادي في غسالة الصحون.
- يحتوي هذا الجهاز على نظام سلامة يعمل على إيقاف الغسالة إذا تعرضت لاهتزاز شديد من جوانبها.
- إن مسحوق التنظيف لغسالات الصحون قلوي للغاية وهو في غاية الخطورة عند ابتلاعه. تجنب ملامسته للبشرة أو العين وتأكد من بقاء الأطفال بعيدين عن باب الغسالة عند فتحه.
- تأكد من فراغ حاوية سائل الغسيل بعد الإنتهاء من دورة الغسيل.

◀ أثناء التشغيل

- يمكن قفل لوحة التحكم من خلال «قفل الطفل (Child Lock)» لمنع إحداث أي تغيير من قبل الأطفال.
- إحتفظ وسائل الجلي ومواد الشطف بعيدة عن الأطفال.
- جميع البطاريات (سواء كانت مثبتة أو المرفقة) لا ينبغي أن تعرض للحرارة الزائدة مثل أشعة الشمس أو ما شابه ذلك مصدر.

■ إحتفظ هذه التعليمات

تعليمات التوصيل الأرضي (التأريض)

- لا بد من التوصيل الأرضي لهذا الجهاز، ففي حال حدوث عطل ما أو توقف عن العمل سيعمل التوصيل الأرضي على التقليل من خطر حدوث صدمة كهربائية من خلال تسهيل مرور التيار الكهربائي إلى دارة ذات مقاومة قليلة. كما تم تزويد الجهاز بمقبس أرضي ثالث وسلك أرضي ليتم توصيله إلى مأخذ مناسب لذلك المقبس وموصول إلى الدارة الأرضية حسب القوانين المحلية.
- لا تستخدم محول فقد يتلف ذلك التوصيل الأرضي.
 - إذا لم يكن لديك المنفذ المناسب، استشر فني كهرباء.

تعليمات مهمة للسلامة

تحذير !

قد يؤدي التوصيل الغير صحيح إلى الدارة الأرضية قد يؤدي إلى خطر حدوث الصدمة الكهربائية. تأكد من إجراء التوصيل من قبل فني أو كهربائي متخصص. ولا تحاول تعديل مقبس الجهاز. في حال عدم إمكانية تركيب القابض بالمأخذ. أطلب من فني متخصص تعديل المأخذ.

التخلص من جهازك القديم

1. إن ظهور شعار سلة المهملات ذات العجلات والمرسوم عليها إشارة ضرب يعني أنّ هذا الجهاز خاضع للتعليمات الأوروبية EC / 91 / 2002 .
2. يجب رمي جميع الأجهزة في حاويات منفصلة عن حاويات قمامة البلديات تخضع للمعالجة من قبل منشآت موافق عليها من قبل الحكومة أو السلطات المحلية.
3. إن التخلص من أجهزتك القديمة بطريقة صحيحة يمنع حدوث أخطار ممكنة بالبيئة وبصحة الإنسان.
4. لمزيد من التفاصيل حول كيفية التخلص من أجهزتك القديمة يرجى الاتصال بمكتب بلدية مدينتك أو خدمة النفايات أو المتجر الذي اشتريته منه الجهاز.



تحذير !

فيما يتعلق بكبل الطاقة

- يوصى بوضع غالبية الأجهزة الكهربائية في دائرة كهربائية منفصلة؛ وهي دائرة بمنفذ واحد يغذي جهاز واحد بالتيار الكهربائي ولا يوجد بها منافذ إضافية أو دوائر فرعية. لا تفرط في التحميل على المنافذ الموجودة بالخائط.
- لا تفرط في التحميل على المنافذ الموجودة بالخائط. التحميل الزائد على منفذ التيار الموجود بالخائط، أو منافذ الخائط التالفة أو غير الثابتة، أو تمديد الكبلات، أو كبلات الطاقة المحترقة أو السلوك التالفة أو التي تحتوي على شقوق أمور خطيرة جدا. إذ قد تؤدي أي من تلك الحالات إلى حدوث صدمة كهربائية أو نشوب حريق.
- قم بفحص كبل الطاقة بشكل دوري. وإذا كان الشكل الخارجي له يُظهر تعرضه للتلف أو البلا. افصله وتوقف عن استخدام الجهاز. واستبدل الكبل بكبل آخر مماثل له تماما من قبل فني خدمة معتمد.
- تجنب تعرض كبل الطاقة لسوء الاستخدام فيما يتعلق بالناحية الميكانيكية أو المادية مثل تعرضه للالتواء أو الطي أو الضغط أو وضعه بالقرب من الباب أو في مكان يتكرر المرور عليه. اهتم جيدا بالمقابس. ومنافذ التيار الموجودة بالخائط ونقاط خروج الكبل من الجهاز. إذا كان الجهاز يعمل عن طريق مشترك تمديد أو عبر جهاز مصدر كهرباء محمول. يجب وضع مشترك التمديد في الجهاز المحمول بحيث لا يكون عرضة للرزاز أو الرطوبة.

تحذير !

حدد التعليمات مضمون ما يلي

لم يصمم هذا الجهاز بغرض أن يستعمله أي شخص من ذوي القدرات الذهنية أو الحسية أو الجسدية القاصرة (بما في ذلك الأطفال)، أو محدود الخبرة والمعرفة. ما لم يتم هذا تحت إشراف أو تعليمات استعمال الجهاز من قبل شخص مسئول عن سلامته.

ينبغي الإشراف على الأطفال لضمان عدم عبثهم بالجهاز.

تعليمات التركيب

⚠️ تحذير

يجب إجراء عمليات توصيل الأنابيب والتوصيلات الكهربائية من قبل شخص مختص (كهربائي وفني أنابيب).

■ الاجراءات اللازمة لإجراء التمديدات الكهربائية

⚠️ تنبيه

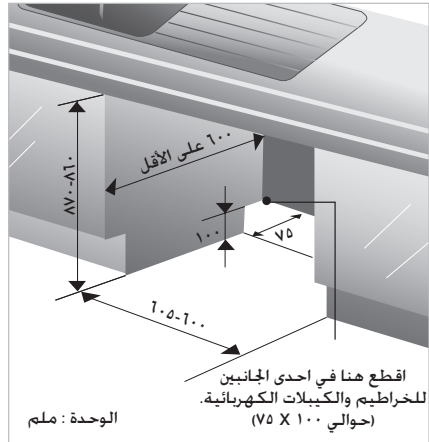
- يجب فصل الدارة الكهربائية المنزلية التي سيتم وصل الجهاز عليها وذلك كإجراء احترازي للسلامة. لا تستخدم سلك توصيل إضافي أو قابس محول إضافي. كما يجب مطابقة التوصيلات الكهربائية مع الشبكة المحلية أو الوطنية.

1. يجب تزويد هذا الجهاز بتيار كهربائي يطابق التردد والفولت المذكورين على دليل المستخدم، ويصل عن طريق دارة كهربائية مخصصة موصولة أرضياً ومحمية بقاطع ١٥ أمبير أو مؤخر تيار قاطع. يجب التوصيل بالدارة الأرضية عن طريق سلكين.
2. يجب وصل قابس التيار الكهربائي في مكان يسهل الوصول إليه بجانب وليس خلف غسالة الصحون ويرتفع مسافة ١,٢ متر عن غسالة الصحون (أنظر الصورة أ الصفحة ٩).

3. لا بد من التوصيل الأرضي لهذا الجهاز. في حال عدم التأكد من التوصيلات يُرجى تفحص التوصيلات من قبل كهربائي متخصص. يجب عدم وصل أي جهاز آخر إلى نفس المأخذ الكهربائي عبر وصل مضاعف للمأخذ أي أي موصلة ماثلة.

■ تحضير مكان مناسب بين الخزن

1. غسالة الصحون هذه مصممة لتتسع في المكان المبين في الصورة أدناه.
2. اختر مكاناً قريباً من حوض الغسيل لإجراء تعديلات المياه وأنابيب التصريف بسهولة.
3. يجب تركيب غسالة الصحون في مكان يبعد ٣ أمتار عن حوض الغسيل للحصول على تصريف جيد للماء.
4. في حال تركيب الغسالة في زاوية لا بد من ترك مسافة ٥ سم بينها وبين الجدار أو الخزن المجاورة.



⚠️ تنبيه

- يجب دهن الخشب المحيط بغسالة الصحون بمادة مانعة لنفاذ الماء حتى لا يتضخم الخشب نتيجة البخار.

خطورة التعرض للفولطية الكهربائية للجهاز

لتبيان المخاطر الناجمة عن التعرض للفولطية الكهربائية للجهاز:

تنويه - في حال تشغيل الجهاز مع ظهور علامة التحذير فينبغي الالتزام بقواعد الأيزو

٢٨٦٤

تعليمات التركيب

■ تركيب غسالة الصحون بين الخزن

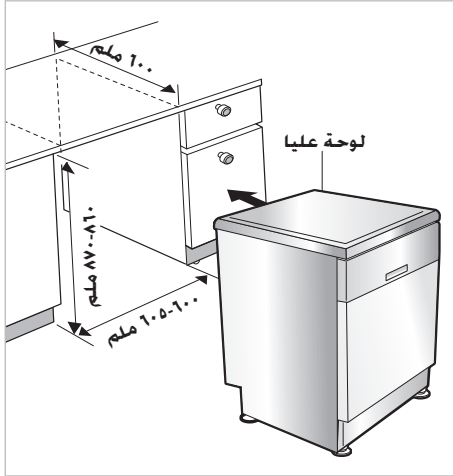
1. يجب ضبط المساحة والارتفاع الخاص بغسالة الصحون باستخدام مفتاح الصمولة.
2. أدخل غسالة الصحون في مكانها بعناية وتأكد من أن خرطوم التجفيف غير ملوي أو ممدودة.

⚠ تنبيه

- إذا كان ارتفاع الخزان أقل من ٥٨ ملم، لا بد من نزع اللوحة العليا برخو برغيين. (البرغيين في الخلف)

■ تحضير غسالة الصحون للتركيب

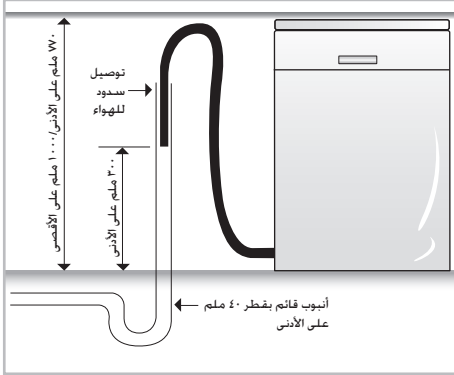
1. ضع غسالة الصحون على ظهرها.
2. اضبط أرجل الصحون لتناسب الارتفاع المطلوب.



تعليمات التركيب

توصيل خط التصريف

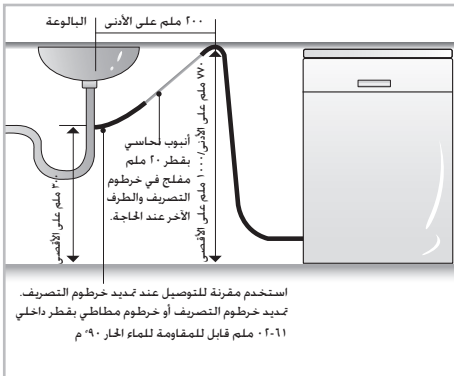
عند توصيل خرطوم التصريف الى أنبوب قائم مستقل، فمن المهم جدا إجراء التوصيل السدود للهواء. راجع الشكل ب.



الشكل ب : توصيل التصريف - أنبوب قائم

تمديد خرطوم التصريف

مدد خرطوم التصريف كما هو مبين في الشكل أدناه.



استخدم مقرفة للتوصيل عند تمديد خرطوم التصريف. تمديد خرطوم التصريف أو خرطوم مطاطي يقطر داخلي ٠٢-١١ مليم قابل للمقاومة للماء الحار ٩٠ م

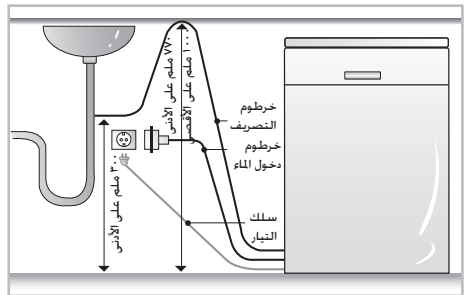
١. إذا لم يكن طرف خرطوم التصريف ملائماً لخط التصريف، إستخدم توصيلة مطاطية (غير مزودة مع الجهاز) لا بد أن تكون مقاومة للحرارة ومواد الغسيل. ٢. يمكن الحصول عليها من متجر الخرداوات أو الأدوات الصحية.

٣. هنالك طريقتين نموذجيتين لإجراء التوصيل كما هو مبين في الشكلين أ و ب.

يجب تعليق الخرطوم بطريقة S للحصول على تصريف جيد.

لمنع النعيب، لا بد من إتباع إحدى الطريقتين التاليتين.

عند توصيل خرطوم التصريف الى الباعة محبس بشكل « S » أو وحدة تصريف النفايات، لا بد من رفع خرطوم التصريف دائريا ووصله الى تحت القاعدة السفلى وتثبيتته بإحكام.



الشكل أ

تنبيه

• عند توصيل خرطوم التصريف تأكد من عدم إلتوائه. (لا بد من لي الخرطوم بنصف قطر ٤ مليم)

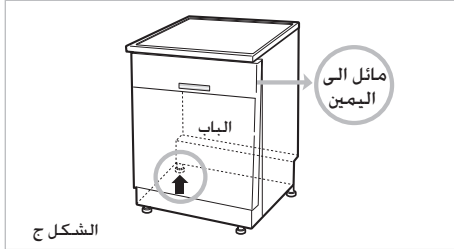
تعليمات التركيب

■ كيفية ضبط مستوى ارتفاع

الغسالة

إذا شعرت ببعض الصعوبة خلال فتح وإغلاق باب الغسالة يجب ضبط ارتفاع الغسالة.

الحالة ١ : في حالة أن الباب مائل الى اليمين



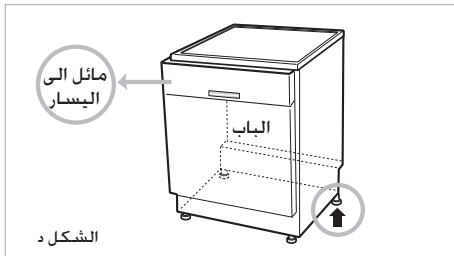
الشكل ج

• إذا كان الباب مائلا الى اليمين كما هو مبين في الشكل ج . كرّر الإجراءات المذكورة أدناه حتى يعمل الباب كما ينبغي .

(١) ارجّ البرغي (باتجاه معاكس عقرب الساعة) في الرجل اليسرى في الخلف ودوره لرفع الارتفاع.
(٢) تأكد من فتح الباب إذا كانت تبقى صعوبة أو صوت احتكاك .

• عند استواء الجهاز بشكل صحيح . فلا يحدث ميلان وصعوبة وصوت احتكاك.

الحالة ٢ . في حالة أن الباب مائل الى اليسار



الشكل د

• إذا كان الباب مائلا الى اليسار كما هو مبين في الشكل د . كرّر الإجراءات المذكورة أدناه حتى يعمل الباب كما ينبغي .

(١) ارجّ البرغي (باتجاه معاكس عقرب الساعة) في الرجل اليمنى في الخلف ودوره لرفع الارتفاع.
(٢) تأكد من فتح الباب إذا كانت تبقى صعوبة أو صوت احتكاك .

• عند استواء الجهاز بشكل صحيح . فلا يحدث ميلان وصعوبة وصوت احتكاك.

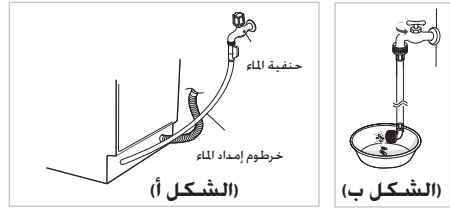
■ توصيل خرطوم مدخل الماء

◀ وصل خرطوم الماء بالصنبور. (الشكل أ)

◀ تضم بعض الطرازات صمام المدخل والخرطوم. (الشكل ب)

بعد توصيل خرطوم الماء بالصنبور. افتح الصنبور لإزالة المواد الغريبة (القاذورات، الرمال أو نشارة الخشب) من خطوط الماء.

دع الماء يتدفق داخل الدلو. وافحص درجة حرارة الماء. وصل خرطوم الإمداد بصمام مدخل الماء.



• يمكن إمداد غسالة الأطباق بالماء الساخن أو البارد. في حالة عدم القدرة على الحفاظ على درجة حرارة الماء أقل من ٦٥ درجة مئوية. يجب توصيل غسالة الأطباق بالماء البارد.

• عند التوصيل. يجب استخدام شريط عازل أو مادة عازلة لتجنب تسرب الماء.

• يرجى التأكد من أن الخط غير مطوي أو منحني بشدة. يوصى باستخدام الخرطوم الجديد وليس الخرطوم الحالي أو القديم.

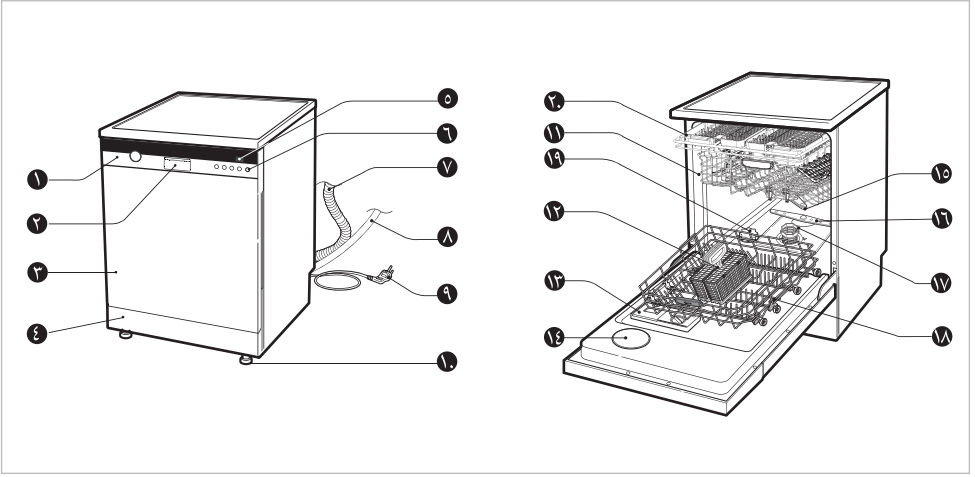
■ الفحص النهائي والتجميع

١. شد خرطوم المياه بإحكام لإمداد الماء. أدخل قابس التيار الكهربائي إلى مأخذ التيار المؤرّض.

٢. بعد التركيب وقبل وضع الأواني المراد غسلها يرجى تشغيل الغسالة على «الدورة السريعة (Quick)» للتأكد من عدم وجود مشكلة في التشغيل أو تسرب للمياه.

قد تسمع ضجيجاً عالياً عند تشغيل الغسالة لأول مرة. أطفئ الغسالة وأعد تشغيلها مرة ثانية.

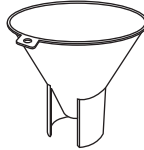
أسماء الأجزاء



١١. الرف الأعلى
١٢. رف أدوات الأكل الصغيرة
١٣. درج سائل الغسيل والمادة المساعدة للشطف
١٤. غطاء فتحة البخار
١٥. ذراع الرش العليا
١٦. ذراع الرش السفلى
١٧. مجموعة المصفاة
١٨. الرف الأسفل
١٩. غطاء وعاء الملح
٢٠. رف أدوات المائدة

١. لوحة التحكم
٢. مقبض اليد
٣. الغطاء الأمامي
٤. الغطاء الأسفل
٥. زجاج العرض
٦. زر الطاقة (التشغيل)
٧. خرطوم التصريف
٨. خرطوم إمداد الماء
٩. سلك الطاقة
١٠. رجل قابلة للتعديل

الملحقات

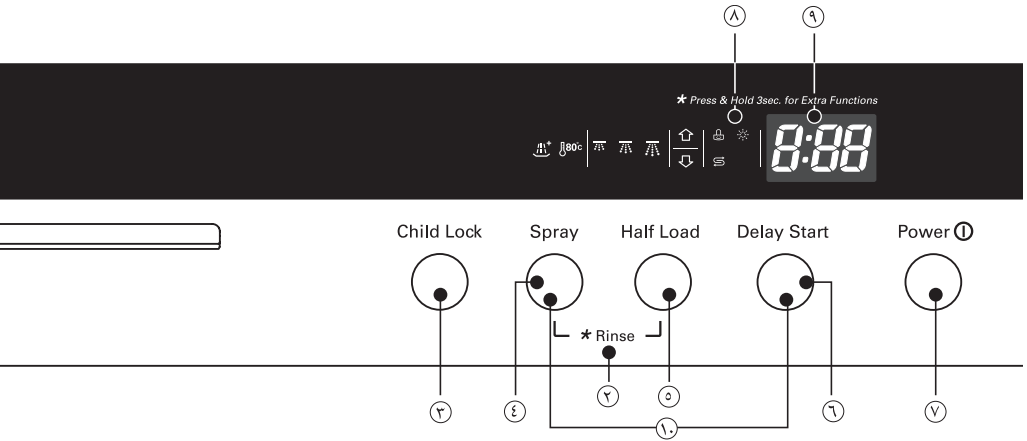


القمع

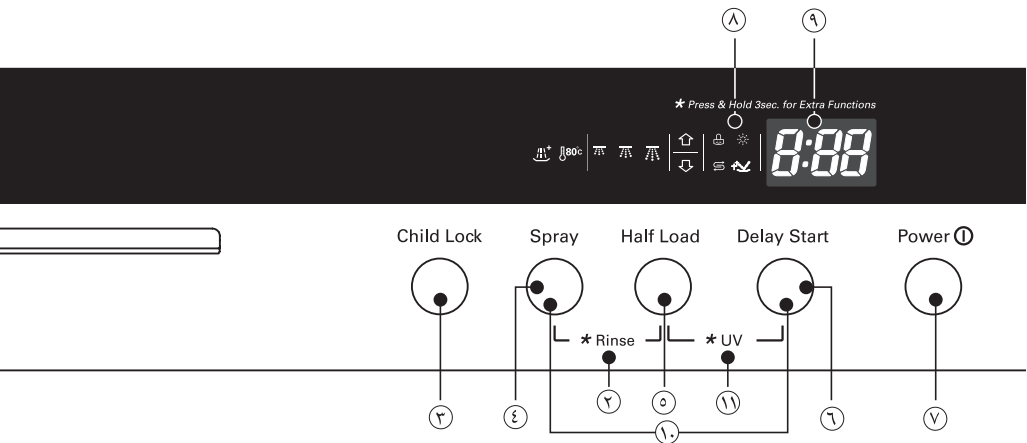
* قد يختلف المظهر والمواصفات بدون أي إشعار.

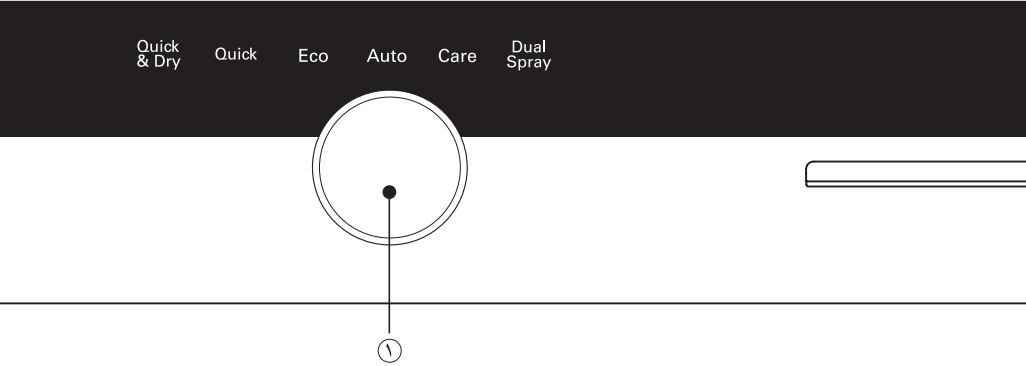
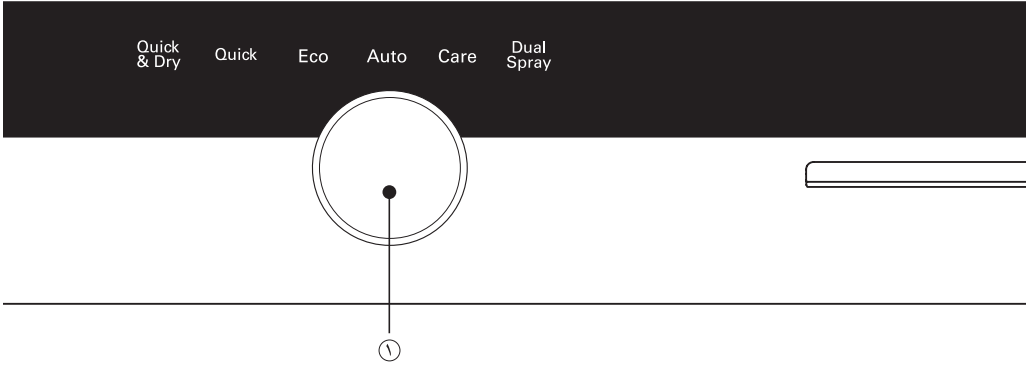
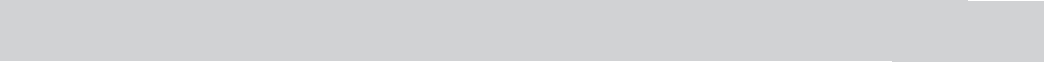
وظائف أزرار التحكم

الموديل : D1453W(L,M,T,B,C,D,A)F(B,U) ■



الموديل : D1463W(L,M,T,B,C,D,A)F(B,U) ■





وظائف أزرار التحكم

١ البرنامج

- حدد دورة الغسيل التي تناسبك.

٢ الشطف

- تكرر الضغط على زر **Spray (الرش)** **Half Load (صَف الحمل)** سيحدد الحرارة الزائدة، الشطف، الحرارة الزائدة والشطف.
- في حالة خديد خاصة **Extra Hot (الحرارة الزائدة) (80°C)**، ستزيد درجة الحرارة أثناء التشغيل عن ٨٠ درجة مئوية.
- البرنامج البيئي، البرنامج التلقائي، برنامج التنظيف، الرش المزدوج
- عند خديد الشطف+ (🌿) ستمت إضافة دورة شطف زائدة.

٣ القفل ضد عبث الطفل (👶)

- يستخدم لفتح وأزرار التحكم لتجنب تغيير كافة الإعدادات من قبل الطفل.
- لتفعيل أو إيقاف خاصية **Child Lock (القفل ضد عبث الطفل)**، يرجى الضغط على زر **Child Lock (القفل ضد عبث الطفل)** لمدة ٣ ثواني عندما تكون غسالة الأطباق في وضع التشغيل.
- سيتم تعطيل كافة الخصائص باستثناء أزرار (القفل ضد عبث الطفل) **Power (الطاقة)**.
- لإطفاء غسالة الأطباق لا بعيد ضبط خاصية **Child Lock (القفل ضد عبث الطفل)**، يتوجب عليك إيقاف خاصية **Child Lock (القفل ضد عبث الطفل)** قبل تشغيل غسالة الأطباق.

٤ الرش

- مع كل ضغط، يتغير منسوب تدفق الماء إلى العادي (🌊)، المتوسط (🌊) والشديد (🌊) على التوالي.
- (برنامج التنظيف، الرش المزدوج)

٥ اصف الحمل

- في حالة الحمولة الصغيرة، استخدم الرف العلوي أو السفلي فقط لتوفير الطاقة.
- مع كل ضغط، يمكن خديد الرف العلوي (👤) أو السفلي (👤) فقط. (باستثناء برنامج السرعة والتجفيف)
- في حالة عدم خديد هذا الزر، يقوم الجهاز بتشغيل الغسيل المتعدد، حيث يقوم بتشغيل الرشاش العلوي والسفلي بالتبادل.

٦ تأخير التشغيل

- إذا كنت ترغب في تأجيل بدء البرنامج المحدد، اضغط على هذا الزر.
- بالضغط على هذا الزر سيزيد الوقت لمدة ساعة.
- يمكن ضبط توقيت تأجيل البدء من ساعة إلى ١٩ ساعة.

٧ تشغيل / إيقاف

- لتشغيل، اضغط على هذا الزر أولاً لتوصيل الطاقة.
- بعد التشغيل، يتحول هذا الزر تلقائياً إلى وضع إيقاف التشغيل للتأمين وتوفير الطاقة.
- في حالة عدم انتظام توصيل الطاقة إلى الجهاز، ربما يتم فصل الطاقة تلقائياً للتأمين.

٨ المؤشر

- القفل ضد عبث الطفل. (👶)
- قم بتعبئة مساعد الشطف من جديد. (🌿)
- قم بإعادة تعبئته بملح خاص. (🧂)
- الأشعة فوق البنفسجية. (🌟)

٩ الوقت المتبقي

- قبل البدء، تعرض نافذة العرض وقت تشغيل البرنامج المحدد.
- بعد البدء، تعرض نافذة العرض الوقت المتبقي.
- في حالة وجود أي عطل في غسالة الأطباق، يظهر نوع العطل. "OE"، "FE"، "IE"، "EI"، "HE"، "LE"، "tE".
- في حالة ظهور الحروف التالية التي تشير إلى وجود أخطاء، يرجى الرجوع إلى صفحة ٣٠ من دليل اكتشاف الأعطال وإصلاحها وإتباع التعليمات.

١٠ تشغيل/إيقاف تشغيل الصفارة

- يجب تشغيل غسالة الأطباق.
- يمكن ضبط خاصية تشغيل/إيقاف تشغيل الصفارة بالضغط على أزرار **Spray (الرش)** و **Delay Start (تأخير التشغيل)** على التوالي لثواني معدودة.

١١ الأشعة فوق البنفسجية

- إذا كنت ترغب في تعقيم الأطباق، اضغط **Half Load (صَف الحمل)** مع **Delay Start (تأخير التشغيل)** على زر بدء التشغيل.
- بعد الانتهاء من دورة التجفيف، ستبدأ عملية التعقيم بواسطة مصباح الأشعة فوق البنفسجية.
- في هذا الوقت، يظهر كود "ST" على نافذة العرض.
- عندما تفتح باب غسالة الأطباق، ينطفئ مصباح الأشعة فوق البنفسجية.
- لا تنظر إلى المصباح مباشرة بالعين المجردة.

قبل الاستخدام لأول مرة

إعداد عسر الماء

✂ يجب عليك التحقق من درجة عسر الماء وضبط مستوى نظام التخفيف قبل تشغيل غسالة الأطباق.

الخطوة ١. إفحصي وتعرفي على مستوى درجة عسر الماء

<مستوى عسر الماء>

°dH	°H	°Clarke	mmol/l	*L
0-3	0-6	0-4	0-6	H0
4-6	7-11	5-8	0,7-1,1	H1
7-9	12-16	9-11	1,2-1,6	H2
10-12	17-21	12-15	1,7-2,1	H3
13-16	22-29	16-20	2,2-2,9	H4
17-21	30-37	21-26	3,0-3,7	H5
22-30	38-54	27-38	3,8-5,4	H6
31-50	55-89	39-62	5,5-8,9	H7

(*L : مستوى نظام التخفيف)

الطريقة الأولى

١) خقي من درجة عسر الماء في منطقتك.

(يمكن أن تساعدك شركة مرفق المياه في هذا الأمر.)

٢) إضبطي مستوى نظام التخفيف في غسالة الأطباق وفقاً لمستوى

عسر الماء. إرجعي إلى الخطوة ٢.

الطريقة الثانية

١) خقي من درجة عسر الماء باستخدام شريط الاختبار.

٢) إجراءات الاختبار

① إغمسي جميع مناطق التفاعل الخاصة بشريط الاختبار لمدة ثانية واحدة تقريباً (وليس في الماء الجاري!).

② هزي الشريط للتخلص من أي ماء زائد وانتظري لمدة دقيقة واحدة.

بعدئذ سوف يتغير اللون الأخضر لمنطقة التفاعل إلى الأحمر-البنفسجي.

③ قم بعد العلامات الحمراء-البنفسجية في الشريط.

<مستوى عسر الماء>

مستوى نظام التخفيف	نوعية الماء	نطاق عسر الماء					عدد المناطق (أحمر:بنفسجي)
		mg/l Ca	mmol/l (Ca+Mg)	°	e°	d°	
H0, H1	خفيف	50>	1,3>	12,5>	9>	7>	1
H2, H3	متوسط العسر	100 - 50	2,5 - 1,3	25 - 12,5	17,5 - 9	14 - 7	2
H4, H5	عسر	150 - 100	3,8 - 2,5	37 - 25	26 - 17,5	21 - 14	3
H6, H7	عسر جدا	150<	3,8<	37<	26<	21<	4

٣) إضبطي مستوى نظام التخفيف في غسالة الأطباق وفقاً لمستوى عسر الماء. إرجعي إلى الخطوة ٢.

الخطوة ٢. إعداد مستوى نظام التخفيف في غسالة الأطباق الخاصة بك.

قم بضبط ميسر الماء بما يتوافق مع عسورة الماء في منطقتك.

يحتوي ميسر الماء على ٨ درجات.

تم ضبط عسورة الماء على «H4» في المصنع. ويمكن ضبط وتغيير هذه القيمة باستخدام الأزرار على لوحة التحكم.

١. تأكد من إطفاء غسالة الصحون.

٢. إضغط زري Half Load (صَف الحمل) و Power (تشغيل / إيقاف) معاً وأبقهما مضغوطين.

٣. لتغيير قيمة الضبط: إضغط Half Load (صَف الحمل) وستجد القيم تتغير واحدة تلو الأخرى.

ستعرض الشاشة قيم بين «H7» و «H1».

٤. عندما حصل على قيمة الضبط الصحيحة إضغط زر Delay Start (تأخير التشغيل). ليتم حفظ القيمة.

قبل الاستخدام لأول مرّة

الخطوة ٣. ملء الملح

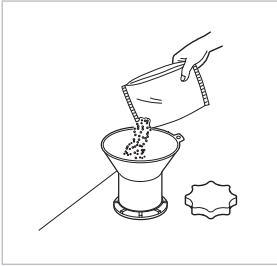
يوجد مادة ميسّرة للماء خاصة بهذا الطراز. يرجى قراءة هذه التعليمات بتمعن للحصول على تشغيل صحيح.

يجب الحصول على ماء ميسّر للحصول على نتائج شطف مرضية. ويحب أن لاختوي على اللايم لأن ذلك قد يترك بقعاً على الأواني والأجزاء الداخلية للغسالة.

في حال أن الماء الذي يخرج من الصنبور عسيراً فيجب إضافة ميسّر للماء. ويتم تحديد كمية الملح الميسّر اعتماداً على درجة عسارة المياه.

■ ملء الملح

يرجى تعبئة عبوة الملح المتجددة قبل بدء برنامج الغسيل. بمجرد الانتهاء من تعبئة الملح يتوجب تشغيل برنامج «السرعة» فوراً لإزالة الملح والماء المالح من حول الحوض لتجنب حدوث الصدأ.



- إنزع الرف السلفي وقم بتدوير غطاء العبوة لفتحه.
- قبل استخدام غسالة الأطباق لأول مرة، من الضروري أن تقومي بصبب ١,٥ كجم ملح و١ لتر ماء في الوعاء.
- وإلا، سيظل مصباح إعادة تعبئة الملح مضاء أثناء التشغيل.
- إستعمل القمع ليكون ملء العبوة بشكل نظيف وآمن. وتأكد من أن هذا الملح للاستخدام في غسالات الصحون.
- بعد ملء العبوة قم بمسح أي ملح تم تسربه خارج العبوة.
- قم بإغلاق الغطاء بشكل محكم لمنع أي تسرب للملح خارج العبوة.

الخطوة ٤. إضافة مساعد الشطف

■ مساعد الشطف

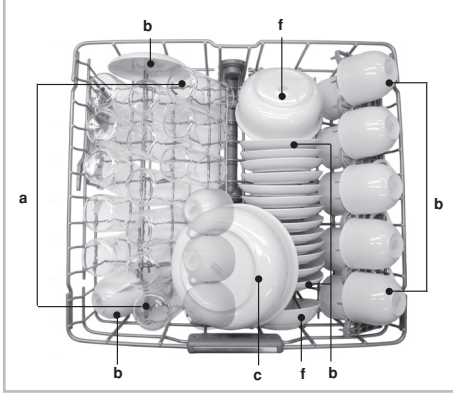
للتعبئة غرفة مساعد الشطف. يرجى دفع زر مساعد الشطف. يرجى تعبئة الحد الأقصى للعبوة بمساعد شطف عالي الجودة. ثم إغلاق الغطاء. يتم توزيع مساعد الشطف تلقائياً أثناء دورة الشطف النهائية.

إن الكمية المستخدمة منم مساعد الشطف مضبوطة من قبل المصنع لتلائم معظم الأواني. في حال رؤية بقع ضبابية أو علامات ماء قم بزيادة كمية جرعة مساعد الشطف المستعملة وذلك عبر إزالة غطاء وإدارة سهم المؤشر إليقيمة أعلى. ومن ثم إعادة الغطاء. وإذا ظهرت رغوة على الأواني أو عليها علامات إختار القيمة الأدنى.



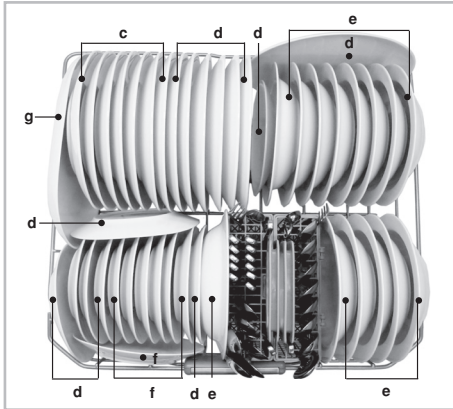
معلومات اختبار الطاقة (EN50242)

٣. الرف العلوي



a	حليب	b	شاي	c	لحوم
d	بيض	e	شوفان	f	سبانخ
g	سمنة صناعي				

٤. الرف السفلي

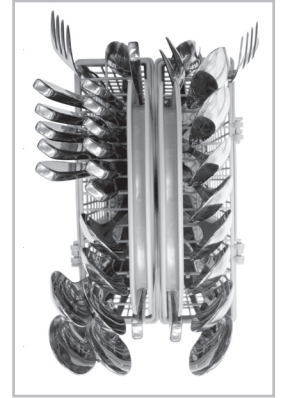
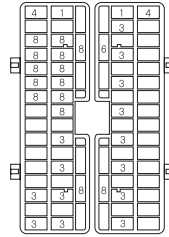


a	حليب	b	شاي	c	لحوم
d	بيض	e	شوفان	f	سبانخ
g	سمنة صناعي				

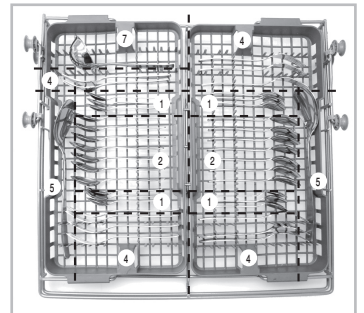
تم تحميل الجهاز وفقاً للموصفات القياسية.

- السعة: ضبط لـ ١٤ مكاناً
- نظام المقارنة: البرنامج البيئي
- ضبط مساعد الشطف: ٤
- مرجع للمنظف: ٣٥ جم من المنظف على السطح الداخلي من الباب.
- يجب إدخال الرف الذي على شكل حرف U القابل لضبط الارتفاع في الوضع الأعلى.

١. سلة أدوات المائدة



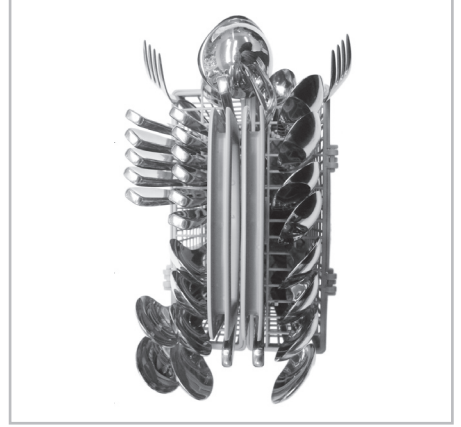
٢. رف أدوات المائدة



كيفية الاستخدام والتشغيل

■ حمل الاستخدام اليومي

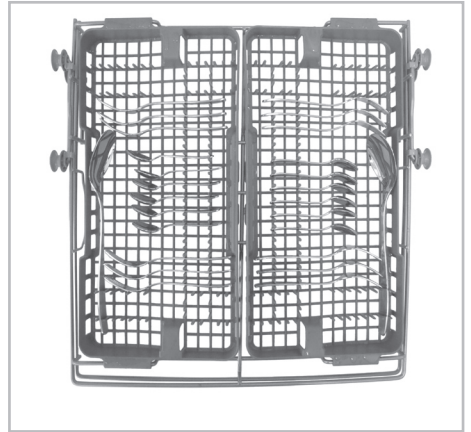
١. سلة أدوات المائدة



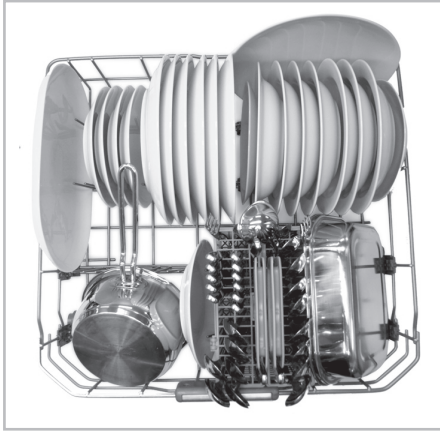
٣. الرف العلوي



٢. رف أدوات المائدة



٤. الرف السفلي



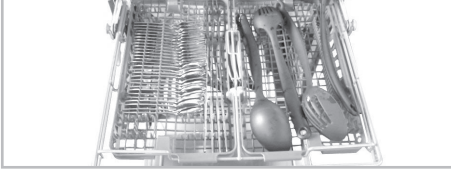
⚠ تنبيه

- لا تستخدم القدر أو المقلاة المزودة بمقابض بلاستيكية.
- غسيل رديء للبقع الناجمة عن أحمر الشفاه المضاد للماء.

كيفية الاستخدام والتشغيل

1. رف أدوات المائدة

رف سكاكين المائدة مناسب للأدوات المسطحة ومعظم أدوات الطهي والتقديم.



يجب وضع مقابض السكاكين والشوك والملاعق بين السنون.

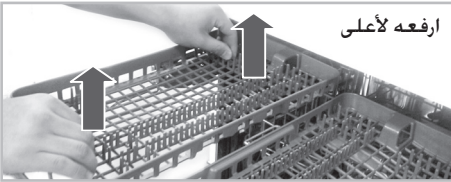


⚠ تحذير

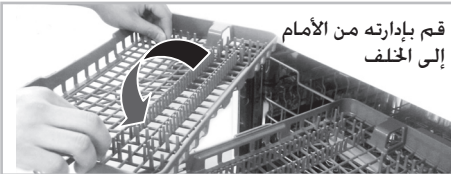
• يرجى الانتباه عند وضع وإزالة الأدوات حادة الحواف. يرجى وضع السكاكين الحادة بحيث تكون شفرتها متجهة لأسفل لتقليل خطر الإصابة.

■ الدراج متعدد الارتفاعات

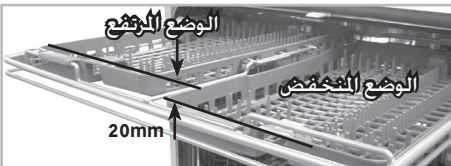
يمكن ضبط كل درج من الأدراج الجانبية على حده على وضع مرتفع أو منخفض لكي يلاءم الأحجام المختلفة للأدوات.



ارفعه لأعلى



قم بإدارته من الأمام إلى الخلف



الوضع المرتفع

الوضع المنخفض

20mm

للحصول على أفضل أداء، يرجى دائماً تعبئة غسالة الأطباق وفقاً للتعليمات.

- قبل تعبئة الأواني في غسالة الأطباق، يرجى تنظيف مكونات الطعام كبيرة الحجم، لاسيما المكونات غير القابلة للذوبان مثل العظام والبذور الخ.
- يجب غمر الأواني التي تحتوي على أطعمة محترقة قبل وضعها في غسالة الأطباق.
- عند تعبئة الأواني في غسالة الأطباق، يرجى وضع كافة المكونات مع توجيه فتحتها لأسفل. (يرجى التأكد من عدم جمع الماء في الأواني العميقة).
- يجب وضع الأواني العميقة بزاوية تسمح للماء بالخروج بحيث تجف بشكل سليم.
- يرجى التأكد من عدم تلامس الأواني.
- يرجى الاحتراس لتجنب إعاقة دوران أذرع الرش.
- لا تجف الأواني البلاستيكية بنفس درجة الأواني المعدنية أو الخزفية.

⚠ ملاحظة

الأدوات الغير آمنة في غسالة الصحون

إن مزيج المياه الحارة جداً مع مواد التنظيف قد يسبب تلف بعض الأدوات. ولهذا فإننا نوصي بعدم استخدام الأدوات التالية:

- المواد المطعمة بالنحاس أو الألمنيوم مع البيود
- الفخاريات المرسومة عليها يدوياً بالفضة أو الذهب
- أدوات الطعام التي تحتوي مقابض من الخشب أو العظم
- الحديد أو الأدوات التي لا تقاوم الصدأ
- البلاستيك الذي لا يلائم غسالات الصحون
- الأدوات الثمينة مثل الأدوات الفضية والأطباق الذهبية
- العناصر القابلة للكسر مثل الأكواب الزجاجية

كيفية الاستخدام والتشغيل

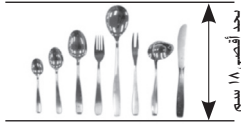
■ رف السكاكين القابل للفك

يمكن فك رف السكاكين بالكامل إذا كنت في حاجة إلى المزيد من المساحة على الرف الأعلى لوضع العناصر الأكبر حجمًا.

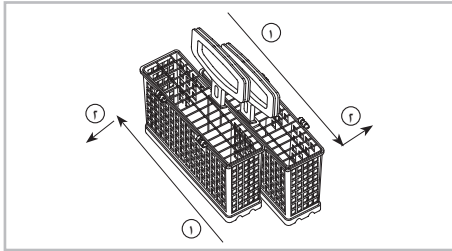
⚠ ملاحظة

احرصي دائمًا على إزالة السكاكين من الرف قبل فكه.

يجب أن تكون أدوات المائدة أطول من ١٨ سم. (في هذه الحالة، استخدم رف أدوات المائدة)



يمكن تقسيم السلة بالطول. لزيادة تنوع حمولة الرف السفلي.



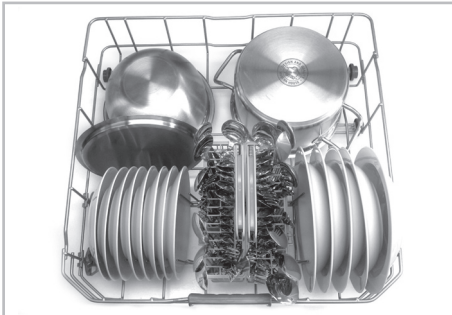
ضع سلتين في اتجاهين متقابلين. ثم اسحب كل واحدة على حده.

⚠ تحذير

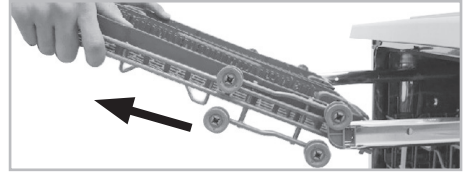
- لتجنب الإصابات، ضع السكاكين والأدوات الأخرى ذات الحواف الحادة على رف أدوات المائدة.
- في حالة الرغبة في وضعها في سلة أدوات المائدة، يجب توجيه الحواف الحادة باتجاه الأسفل.

٣. الرف السفلي

الرف السفلي مناسب لأطباق التقديم، وأوعية الصابون، والأطباق، والقدور، والمقلاة، والأغطية وحتى رف الشواء.



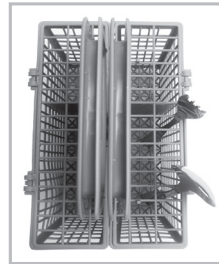
يجب وضع الأطباق في وضع مستقيم بحيث تواجه مركز الرف أما القدور، والأوعية المعدنية والأطباق الكبيرة فيجب توجيهها لأسفل.



اسحبي الرف للخارج حتى نهاية القضبان. ثم ارفعي الجزء الأمامي من الرف حتى تتخطى البكرات أداة الإيقاف الموجودة في نهاية القضيب. الآن يمكنك تمرير الرف للأمام وإزالته من على القضبان.

٢. سلة أدوات المائدة

ضع الشوك والملاعق في سلة أدوات المائدة بحيث تكون مقابضها لأسفل.

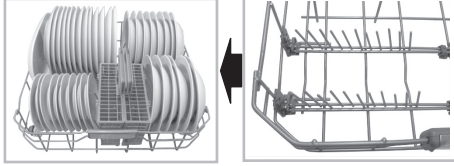


بالنسبة للأوعية الكبيرة، مثل الحففة، يتم فتح الغطاء عن طريق المفصلة. يرجى الاحتراس لتجنب إعاقة دوران ذراع الرش.



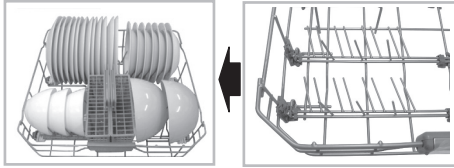
كيفية الاستخدام والتشغيل

• مثال) وضع الأطباق



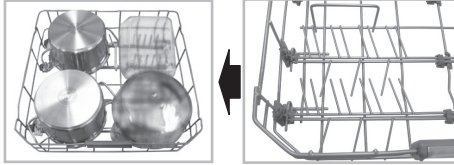
اثنى الريشة بالكامل لأعلى

• مثال) وضع السلطانيات



اثنى الصف الخلفي لأسفل لكل زوج من الريش.

• مثال) وضع القدور



اثنى الريش بالكامل لأسفل.

٤. الرف العلوي

الرف العلوي مناسب للعناصر الصغير مثل الأطباق الصغيرة. وأدوات المائدة الطويلة، والكؤوس، والأكواب والعناصر البلاستيكية القابلة للغسيل في غسالة الأطباق.



يجب وضع الأطباق بحيث تتجه لأعلى وتكون قاعدة الطبق مواجهة لمقدمة الرف.
يجب وضع الأكواب، والكؤوس والأوعية بحيث تتجه لأسفل.

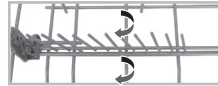
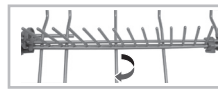
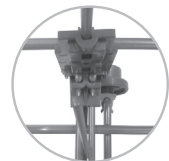
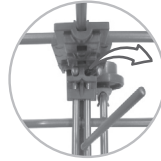
توخ الحذر من إعاقة حركة أذرع الرش.



لتسهيل وضع الأطباق الكبيرة، يمكن ثني الصف الأمامي من السنون لأسفل.

■ كيفية الثني لأسفل

يمكن ضبط كل درج من الأدراج الجانبية على حده على وضع مرتفع أو منخفض لكي يلاءم الأحجام المختلفة للأدوات.



الجزء الخلفي

الجانب الأمامي

صفوف الجانب الأمامي مكونة من أزواج من الصفوف على شكل مستدق.

كل زوج يمكن ثنيه بشكل منفصل لتحميل الأطباق الكبيرة، وخاصة السلطانيات.

لتوسيع المسافة بين صفين، قم بثني الصف الخلفي لأسفل من كل زوج.

قم بثني الريشة لأسفل لوضع القدر.

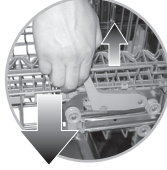
كيفية الاستخدام والتشغيل

■ ضبط ارتفاع الرف العلوي

يمكن ضبط ارتفاع الرف العلوي عند وضع الكؤوس أو الأواني الفخارية الطويلة.

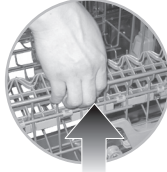
• حرك الرف العلوي إلى الوضع المنخفض

اسحب الأذرع الموجودة على أحد جانبي الرف لأعلى.

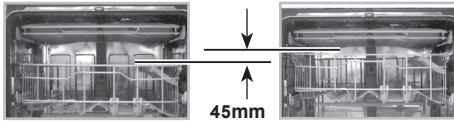


• حرك إلى الوضع العلوي

ارفع الرف لأعلى.



يزيد الارتفاع بمقدار ٤٥ مم عند تحريك الرف العلوي إلى الوضع المنخفض.



بعد ضبط مستوى الرف، تأكد من توفير مساحة كافية تسمح لأذرع الرش بالدوران.

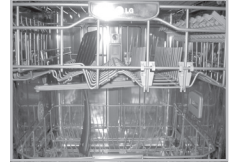
⚠ تحذير

• قبل الضبط، تأكد من تفريغ الرف من كافة الأدوات.

حتى لا تتلف الأدوات أو تتسبب في إصابتك، في الوضع السفلي للرف العلوي، خقق بما إذا كان الجزء السفلي من الرف العلوي بما في ذلك ذراع الرش لا يوزعان العناصر على الرف السفلي.

• عندما يكون الرف العلوي في الوضع السفلي، ادفع الرف العلوي أولاً، وبعد ذلك الرف السفلي. (اسحب الرف السفلي أولاً، ثم الرف العلوي بعد ذلك.)

يرجى الاحتراس لتجنب إعاقة دوران ذراع الرش الموجود تحت الرف العلوي.



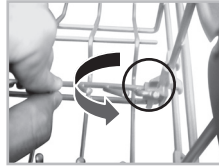
لتسهيل وضع الأكواب أو الكؤوس الكبيرة، يمكن ثني الصف الأيسر من السنون لأسفل.

لوضع الرف العلوي، لا يجب أن تكون الأطباق أكبر من ٢٥ سم في الوضع العلوي، ولا ٢٠ سم في الوضع السفلي.

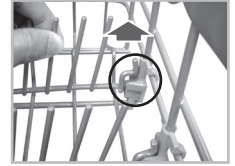
■ طريقة الثني لأسفل

يمكن ضبط كل درج من الأذرع الجانبية على حده على وضع مرتفع أو منخفض لكي يلائم الأحجام المختلفة للأدوات.

• أدّر السن



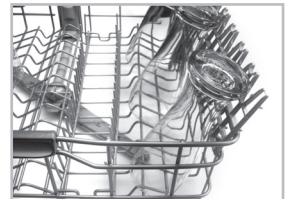
• اسحب السن



يمكن وضع الأواني الزجاجية الطويلة بدون إعاقة من السنون المنخفضة.



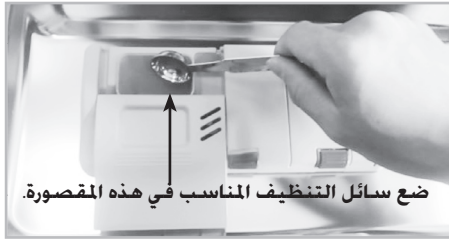
يمكن ثني رفوف الأكواب لأعلى للسماح بدخول الأواني الفخارية الطويلة.



كيفية الاستخدام والتشغيل

٥. إضافة مادة التنظيف

- يجب إضافة مواد التنظيف قبل البدء بأي برنامج.
- يرجى اتباع توصيات المصنع في دليل الاستخدام للتأكد من كمية مواد التنظيف المطلوبة.
- يمكن استخدام كمية أقل بشكل بسيط من الكمية العادية إذا كانت متوسطة الانساخ.
- تتحمل الغرف حتى ٥٠ جم بما في ذلك غرفة الغسيل الأولى.
- تعتمد كمية مواد الغسيل على البرنامج المطلوب. يرجى مراجعة الجدول.



عند استخدام الأقراص. يرجى وضعها على السطح الداخلي للباب. يمكن أن يتسبب استخدام أقراص المنظفات/مساعد الشطف في إغلاق الموزع أثناء عملية الغسيل.

كمية مواد التنظيف		البرنامج
الغسيل الأساسي (الموزع)	قبل الغسيل (على الباب)	
٢٠ جرام	٥ جرام	Quick & Dry (برنامج السرعة والتجفيف)
١٠ جرام	-	Quick (برنامج السرعة)
٣٥ جرام	-	Eco (البرنامج البيئي)
٣٠ جرام	٥ جرام	Auto (البرنامج التلقائي)
٢٠ جرام	-	Care (برنامج التنظيف)
٣٠ جرام	٥ جرام	Dual Spray (الرش المزدوج)

- تخرج مواد الغسيل تلقائياً عند الغسيل
- يبقى غطاء مخزن مواد التنظيف مفتوح بعد العمل

ملاحظة ⚠

معلومات سائل التنظيف

- يرجى فقط استخدام سائل التنظيف المخصص لغسالات الأطباق المنزلية.
- (يجب عدم استخدام سائل تنظيف الأيدي العادي. لأن الرغوة ستؤثر على التشغيل السليم.)
- عند استخدام بعض أقراص غسالات الأطباق، ربما يعيق ذلك فتح الموزع بسبب حجمهم الكبير.
- في حالة حدوث ذلك، يرجى وضع القرص على أرضية الحوض.

كيفية الاستخدام والتشغيل

١. إعادة التعبئة

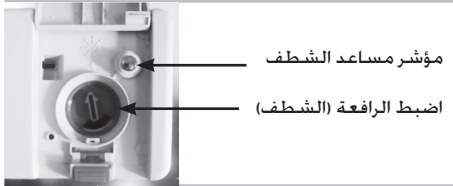
■ لإعادة تعبئة مساعد الشطف

قد تحتاج الغسالة إلى إعادة ملء خزان مساعد الشطف مرة كل شهر وذلك اعتماداً على الاستخدام. ويمكن تفقد حالة مساعد الشطف بأحد الحالتين التاليين:

• من خلال نافذة المؤشر الموجودة على الخزن والتي يمكن رؤيتها عندما يكون باب غسالة الصحن مفتوحة كلياً.

● الأسود يدل على وجود كمية كافية

○ الأبيض يدل على عدم وجود كمية كافية



• من خلال الضوء الظاهر على لوحة التحكم أثناء عمل غسالة الصحن

■ D1463**

■ D1453**



عندما يكون الضوء ظاهراً يعني أن مساعد الشطف قارب على الانتهاء.

ملاحظة

معلومات عن مساعد الشطف

• يعمل مساعد الشطف على إزالة البقع والعلامات عن الصحن ويحسن من جفاف الأواني. إن استخدام الكمية المناسبة يحسن من نوعية غسيل الأواني. أما استخدام كمية زائدة فقد يولد رغوة زائدة وتسرب للمياه.

تحذير

• يتم استخدام منظف خاص بغسالات الصحن ولهذا يجب الحذر عند التعامل مع هذا المنظف لأنه مثل باقي المنظفات مادة كيميائية تشكل خطراً. ويجب الحفاظ عليها بعيداً عن الأطفال.

• يجب تفقد مخزن مادة التنظيف بعد الانتهاء من كل برنامج والتخلص من أي مادة باقية.

تنبيه

• استخدام مزيج من منتجات التنظيف.

• تعمل بعض منتجات مساعد الشطف المتكاملة بشكل أفضل فقط مع برامج بعينها. يمكن الحصول على نتائج الشطف والتجفيف المثالية باستخدام مساعدات الشطف العادية.

• ربما يتسبب استخدام منتجات أقراص غسالة الأطباق في استمرار إغلاق موزع الصابون. مما يؤدي إلى إعاقة توزيع أقراص الصابون.

• وبدلاً من ذلك يمكن وضع تلك المنتجات على الفلتر قبل بدء دورة الغسيل.

• يرجى الاتصال بجهة تصنيع سائل التنظيف في حالة كان أداء التجفيف ضعيف للغاية ووجود طبقة بيضاء. عند استخدام منتجات التنظيف المركبة.

• يجب ضبط قرص مساعد الشطف على الحد الأدنى عند استخدام أقراص الغسيل مع مساعد الشطف المدمج.

• يمكن أن تتسبب زيادة مساعد الشطف في وجود الرغوة في نهاية عملية الغسيل.

• لا يشمل الضمان الشكاوى المتصلة بشكل مباشر باستخدام تلك المنتجات.

• يرجى عدم استخدام مساعدات الشطف السائلة عند استخدام أقراص تحتوي على مادة مساعدة للشطف.

كيفية الاستخدام والتشغيل

٧. التجفيف

■ للمساعدة في عملية التجفيف، نوصي بفتح الباب جزئياً بعد انتهاء الدورة.

ستعرض الشاشة كلمة «Cd» (بارد جاف) لمدة ٦٠ دقيقة بعد انتهاء وقت الدورة. يمكن مقاطعتها أو إيقافها ببساطة عن طريق فتح الباب.

■ يوصى باستخدام مساعد الشطف للحصول على نتائج التجفيف المثالية.

■ حدد خيار «الحرارة الزائدة» للحصول على أفضل نتائج للتجفيف. (الطرازات المحددة فقط)

■ لإعادة ملء الملح

عندما يكون مخزن الملح فارغاً سيضيء مؤشر الملح تلقائياً خلال تشغيل غسالة الصحون. يجب ملء الملح بعد الانتهاء من دورة الغسيل. كما أننا ننصح بملء الملح قبل البدء بالغسيل لإزالة أي ملح زائد من المرة السابقة.



إن إضاءة المؤشر تعني أن الملح قد فرغ تقريباً. قم بإعادة ملئه بأسرع وقت ممكن.

! ملاحظة

- قد يتطلب بعض الوقت بعد ملء الملح ليظهر المؤشر
- إذا كان الجهاز يعمل على «H7» فلا حاجة لملء الملح لأنه لا يستخدم الملح في هذا البرنامج. أما إذا كان الجهاز يعمل على البرامج بين «H1» و «H7» فيجب إضافة الملح للمخزن.

! تحذير

- لا تقم بإضافة مواد التنظيف إلى مخزن الملح لأن ذلك سيتلف ميسر الماء.

تسلسل التشغيل

١. إضغط زر "تشغيل / إيقاف (Power)"

كما سيظهر زمن البرنامج الذي اخترت. وبعد البدء سيظهر الزمن المتبقي. ومن ثم يبدأ الزمن بالنقصان دقيقة بعد أخرى.

إذا تم فتح الباب خلال دورة التشغيل تتوقف الغسالة عن العمل كإجراء سلامة، وعند إعادة إغلاق الباب ستعود الغسالة للعمل من النقطة التي توقفت عندها

٢. تأكد من وجود مساعد للشطف وملح

ستضيء مؤشرات المواد التي تحتاج إلى إعادة التعبئة.

٣. في نهاية برنامج الغسيل

سيتم عرض كلمة End وهي النهاية وسيبث صوت زمر. وبعد ذلك ستنتطفئ غسالة الصحون بشكل بشكل تلقائي تلقائي للسلامة وحفظ الطاقة. إذا قم باختيار وظيفة التعقيم بالأشعة فوق البنفسجية، تتوقف الغسالة تلقائياً عن التشغيل بعد إجراء عملية التعقيم.

٣. افتح الباب وتأكد من الفلاتر تأكد من نظافتها ومركبة بشكل صحيح (تعليمات الصيانة للمستخدم).

٤. حمل الصحون

قم بإزالة أي طعام زائد. إسحب الرف السفلي ورتب الصحون والأدوات. إسحب الرف العلوي ورتب الفناجين والكؤوس وغيرها.

تنبيه

• قم بإفراغ الرف السفلي أولاً ومن ثم الرف العلوي لأن ذلك يمنع قطرات الماء من الرف العلوي من التساقط على الأواني في الأسفل.

تنبيه

لا تحمل أي شيء في الرف العلوي عندما يكون الرف السفلي مسحوباً.

تحذير

• لا ينح عموماً بفتح باب غسالة الصحون وهي تعمل. وفي حال الفتح فإن آلية السلامة تعمل على وقف عمل الغسالة. يجب أخذ الحيطه والجذر في حال فتح الغسالة وهي تعمل وخصوصاً خلال وبعد مرحلة الماء الحار. لأن ذلك يؤدي إلى خروج البخار.

٥. تأكد من حرية حركة أذرع رشاشات الماء

٦. قم بقياس مادة التنظيف

أضف الكمية المطلوبة من مواد التنظيف إلى الخزن وأغلق الغطاء.

تنبيه

• لا ينبغي ترك الباب في وضعية الفتح لما قد يمثله هذا من خطر قائم.

٧. ضبط وبدء البرنامج

ضبط زر البرنامج لاختيار البرنامج المطلوب. استبدأ الغسالة بالعمل بعد ١٠ ثوان. اختر الوظيفة المطلوبة مع البرنامج. حيث ستضيء مؤشرات البرنامج الذي اخترت وجميع الوظائف الأخرى.

البرنامج

- ◀ قد يختلف زمن التشغيل اعتماداً على درجة حرارة الماء وضغط الماء وقوة التيار الكهربائي.
- ◀ زمن التشغيل لا يتضمّن "التجفيف البارد (Cool Dry) وهو ٦٠ دقيقة.

التجفيف البارد	التجفيف	الشطف			الغسل		البرنامج
		الشطف الحار	الشطف ٢	الشطف ١	الغسل	قبل الغسل	
		٧٠ م			١٥ م		Quick & Dry (برنامج السرعة والتجفيف)
		٦٥ م			١٠ م		Quick (برنامج السرعة)
		٥٩ م			٤٣ م		Eco (البرنامج البيئي)
		هذا البرنامج محسّن وفق انساخ الأواني.					
		٧٠ م			٥٠ م		Care (برنامج التنظيف)
		٧٠ م			١٠ م	٤٥ م	Dual Spray (الرش المزوج)

◀ برنامج التنظيف

هذا البرنامج لتوفير بالطاقة واستهلاك المياه مع غسيل جيد. وينصح باستخدامه في كل مرة.

◀ الرش المزوج

تساعد تلك الدورة على غسل الرفوف العلوية والسفلية باستخدام كميات مختلفة من البخار. يتم غسل الرف السفلي باستخدام البخار القوي لغسل الأواني السمكية. بينما يتم غسل الرف العلوي بكميات متوسطة من البخار للأواني الرقيقة. يوفر ذلك أفضل أداء للغسيل بالنسبة للأدوات المتنوعة. بما في ذلك الأدوات الخزفية والزجاجية الرقيقة.

◀ برنامج السرعة والتجفيف

يوفر هذا البرنامج أداء غسيل جيد في غضون ٦٠ دقيقة. لتعزيز عملية التجفيف، نوصي بفتح الباب بشكل جزئي عندما تلاحظين كميات صغيرة من القطرات بعد انتهاء الدورة. فتح الباب بعد انتهاء الدورة مباشرة قد يؤدي إلى قفل إنذار درجة الحرارة المرتفعة.

◀ برنامج السرعة

يمكن استخدامه للأطباق والأدوات المتسخة قليلاً والمستخدمة مؤخراً.

◀ البرنامج البيئي

يوفر هذا البرنامج الحد من استهلاك الطاقة والماء للحصول على أفضل أداء للغسيل بالنسبة للأدوات المتسخة بشكل متوسط.

◀ البرنامج التلقائي

عند تشغيل البرنامج التلقائي، يتم تحديد درجة انساخ الأطباق عن طريق درجة تلوث الماء. وفقاً لدرجة التلوث، يقوم البرنامج تلقائياً بضبط وقت الغسيل ودرجة الحرارة. ونتيجة لذلك، يتم تقليل استهلاك الطاقة والماء بقدر الإمكان. يعني ظهور الحرف "F" أن المستشعر يستكشف حالة غسالة الأطباق.

■ إعادة التشغيل التلقائية

إعادة التشغيل ألياً إذا تم إطفاء غسالة الصحون نتيجة إنقطاع التيار الكهربائي فإنها ستعود للعمل ثانية عند عودة الطاقة وبعد الضغط على زر Power (تشغيل / إيقاف).

تعليمات الصيانة للمستخدم

ينصح بتفقد الفلاتر وأذرع بخاخات الماء بشكل منتظم لتفادي حدوث مشاكل وتشغيل سبي.

■ ذراع الرشاش العلوية

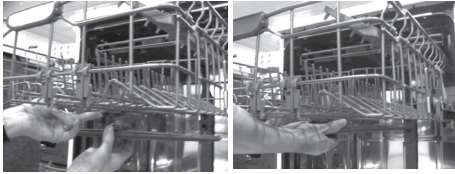
- إسحب الرف العلوي إلى الأمام.
- تأكد من أن فتحات بخاخ الماء غير مسدودة.
- في حال الحاجة للتنظيف إسحب الذراع بعد فك البراغي.
- نظف ذراع الرشاش وأعدّها إلى مكانها.

■ حفظ غسالة الأطباق

- في حالة عدم استخدام غسالة الأطباق لفترة طويلة، شغّلها على دورة الغسيل السريع والجاف بدون إضافة مسحوق.
- عندما تنتهي الدورة نظفي غسالة الأطباق وفقا للتعليمات الواردة في دليل الصيانة من قبل المستخدم لإزالة بقايا الطعام الموجودة في الجزء السفلي من غسالة الأطباق وأغلق الباب.

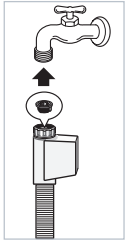
■ المصافي

- إسحب الرف السفلي أولاً.
- أدر المصفاة الشبكية عكس عقارب الساعة.
- إسحب المصفاة الشبكية ومصفاة STS والمصفاة الخارجية.
- نوصي بتنظيف الغسالة وتشغيل دورة الغسيل السريع والجاف بدون إضافة مسحوق على الأقل مرة واحدة أسبوعياً.
- قم بإعدتهم إلى مكانهم حسب الترتيب.



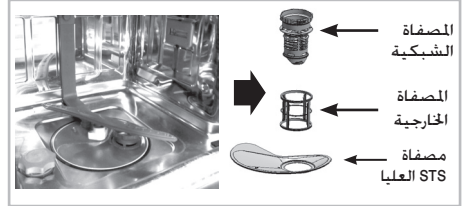
■ مدخل الماء

- يوجد فلتر مدمج في وصلة صمام خرطوم مدخل الماء. في حالة تدفق كميات غير كافية من الماء إلى داخل غسالة الأطباق، تأكد من عدم انسداد الفلتر.



- تنظيف الفلتر
- افصل غسالة الأطباق من مصدر التيار الرئيسي.
- أغلق المقبس الرئيسي وافصل القابس.
- أغلق الصنبور.
- فك خرطوم الماء.
- افصل الفلتر من الوصلة.
- نظف فلتر خرطوم الإمداد تحت الماء الجاري.

- ركب الفلتر مرة أخرى. مع التأكد من تركيبه بشكل صحيح.
- وصل الخرطوم مرة أخرى بالصنبور.
- افتح الصنبور.
- في حالة وجود تسرب، ربما يكون خرطوم الماء مركب بشكل غير كامل، أو ربما يكون منثني عند نقطة معينة. فك صمام مدخل الماء وقم بتوصيله مرة أخرى بشكل سليم.
- وصل مصدر التيار مرة أخرى.

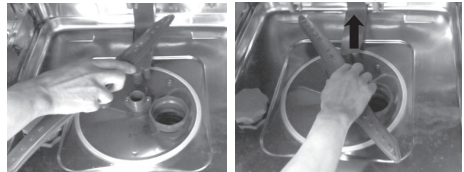


! ملاحظة

- قم بتنظيف المصافي بعد كل دورة غسيل للحصول على نتائج أفضل.
- تأكد قبل التشغيل أن المصافي مركبة بشكل صحيح، لأن عدم التركيب الصحيح يؤدي إلى غسيل سيء.

■ ذراع الرشاش السفلي

- تأكد من أن فتحات بخاخ الماء غير مسدودة.
- في حال الحاجة للتنظيف إسحب الذراع وأخرجها من مكانها.
- نظف ذراع الرشاش وأعدّها إلى مكانها بالسحب للأسفل.



دليل تحديد المشاكل وحلها

- في حال حدوث مشكلة ما أنظر إلى الجدول أدناه عن وجود حل لها.
- في حال عدم القدرة على حل المشكلة برج الاتصال بمركز الخدمة.

■ قبل الاتصال لطلب خدمة الصيانة

المشكلة	السبب المحتمل	الحل
لا تضيء أي مؤشرات عند تشغيل الجهاز.	<ul style="list-style-type: none"> • لم يتم إدخال القابس في المأخذ الكهربائي بشكل صحيح. • احتراق قاطع (فيوز) أو انطفائه. • تم قطع التيار الكهربائي. 	<ul style="list-style-type: none"> • تفقد القبس الكهربائي. • تفقد الكهرباء. • اتصل بالخدمة.
لا يمكن تشغيل الغسالة.	<ul style="list-style-type: none"> • لم يتم إغلاق الباب بشكل جيد. • لم يتم ضغط زر التشغيل. 	<ul style="list-style-type: none"> • أغلق الباب. • اضغط زر البدء.
أذرع رشاشات المياه لا تتحرك بسلاسة.	وجود بقايا طعام عالقة بذراع الرشاش.	نظف فتحات رش المياه.
ظهور مخلفات بيضاء بعد الانتهاء من الغسيل.	<ul style="list-style-type: none"> • كمية مادة التنظيف أو مساعد الشطف غير صحيحة. • مخزن الملح فارغ. • غطاء مخزن الملح غير محكم الإغلاق. 	<ul style="list-style-type: none"> • تفقد مادة التنظيف أو مساعد الشطف. • تفقد مخزن الملح أو الغطاء.
ظهور علامات علي الأواني الزجاجية.	تم إخراج الكثير من مساعد الشطف.	<ul style="list-style-type: none"> • إملأ بمساعد الشطف. • اضبط مستوى مساعد الشطف.
التجفيف لا يتم كما يجب.	تم إخراج الكثير من مساعد الشطف.	
نتائج الغسل غي مرضية.	<ul style="list-style-type: none"> • كمية غير صحيحة من مواد التنظيف. • أدوات الصعام غير مرتبة جيداً أو كثيرة. • فتحات رش المياه مسدودة. • حركة أذرع رش المياه مقيدة بأدوات الطعام. • تم اختيار برنامج تنظيف غير مناسب. 	

دليل تحديد المشاكل وحلها

■ قبل الاتصال لطلب خدمة الصيانة

الحل	السبب المحتمل	المشكلة
<ul style="list-style-type: none"> • قم بتسوية الخرطوم. • نظف المصافي. • إذا لم تحل المشكلة إتصل بمركز الخدمة. 	<ul style="list-style-type: none"> • خرطوم التجفيف مثنى. • المصفاة مسدودة. • المحرك لا يعمل (محرّك الغشيل أو محرّك التجفيف). 	يظهر على الشاشة «OE». (لا يمكن تصريف المياه)
<ul style="list-style-type: none"> • تفقد صنوبر الماء. • إذا لم تحل المشكلة إتصل بمركز الخدمة. 	<ul style="list-style-type: none"> • لا يتم تزويد المياه. • لم يتم فتح صنوبر المياه. • مؤشّر الماء لا يعمل جيداً. 	يظهر على الشاشة رمز «IE».
<ul style="list-style-type: none"> • أغلق صنوبر الماء وانزع قابس التيار الكهربائي. • إتصل بمركز الخدمة. 	<ul style="list-style-type: none"> • يوجد تسرب من خرطوم تزويد الماء. • تلف في الجهاز بسبب تسرب في الماء. 	يظهر على الشاشة رمز «E». (مضخة التجفيف التلقائية).
	<ul style="list-style-type: none"> • تزويد الماء يفوق التزويد الاعتيادي. • يوجد مشكلة في صمّام إدخال الماء. 	يظهر على الشاشة رمز «FE». (مضخة التجفيف التلقائية).
	<ul style="list-style-type: none"> • دائرة تسخين الماء تالفة. 	يظهر على الشاشة رمز «HE».
	<ul style="list-style-type: none"> • مشكلة في ميزان الحرارة أو يتم التزويد بماء مرتفع الحرارة. 	يظهر على الشاشة رمز «tE».
	<ul style="list-style-type: none"> • مشكلة في المحرك 	يظهر على الشاشة رمز «LE».

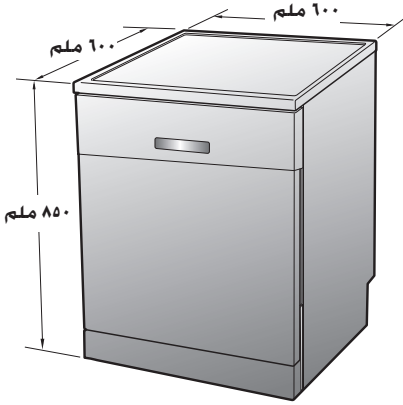
دليل تحديد المشاكل وحلها

• هذه ليست أكواد خطأ تُشير إلى وجود عطل.

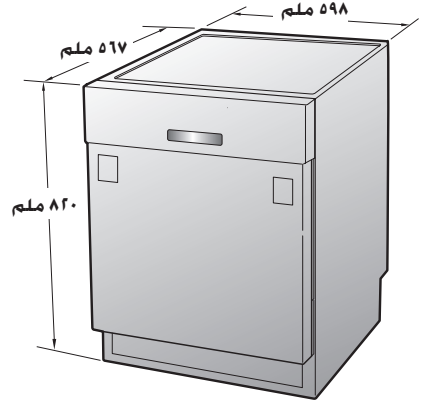
■ قبل الاتصال لطلب خدمة الصيانة

الوصف	لكود
يُشير ذلك إلى وجود انقطاع في التيار الكهربائي. تساعد هذه الوظيفة على حماية غسالة الأطباق في حال انقطاع التيار الكهربائي أو انقطاع الكهرباء عن الوحدة. وبعد عودة التيار الكهربائي. وعند الضغط على أحد الأزرار، سوف يتم عرض ذلك لمدة ١٠ ثواني ثم يختفي.	تعرض الشاشة الكود «PF»
تعني كلمة "Cd" بارد جاف. وتعتبر تلك دورة للتجفيف الإضافي للمساعدة في عملية التجفيف. يستمر تشغيل هذه الدورة لمدة ٦٠ دقيقة إضافية بعد انتهاء الدورة. ويمكن إيقافها في أي وقت عن طريق فتح الباب.	تعرض الشاشة الكود «Cd»
«CL» يُقصد بها Child-Lock (القفل الأبوي). تُستخدم هذه الوظيفة في قفل أو إلغاء قفل أزرار التحكم حتى لا يقوم أي طفل بتغيير الإعداد بالكامل. ولا يمكن تنشيطة إلا خلال دورة الغسيل.	تعرض الشاشة الكود «CL»
عندما تظهر «F» على الشاشة يكون المستشعر يقوم بقياس درجة نقاء الماء. وبعد ٥ دقائق من الاستشعار (باستثناء التصريف والتعبئة)، سوف تقوم شاشة الوحدة بعدئذ بعرض وقت المعالجة.	تعرض الشاشة الكود «F»
لا يُعتبر ذلك كود خطأ. لكنه يُشير إلى ضبط البداية المتأخرة. ولإلغاء الوظيفة، أوقف تشغيل الطاقة. ولتغيير الدورة والخيار. افتح الباب واخر دورة أرى وخيار آخر. ثم سيستمر العد التنازلي بعد غلق الباب مرة أخرى.	تعرض الشاشة الأرقام من ١ إلى ١٩
هذا ليس خطأ. عندما تفتح الباب مباشرة بعد الغسيل على الساخن. أو بعد الشطف. أو بعد التجفيف. قد يستمر صوت الإنذار في الرنين للمحافظة على السلامة إذا تم تسخين الأجزاء الداخلية.	صوت الإنذار (إنذار درجة الحرارة المرتفعة)
إذا لم يتم استخدام غسالة الأطباق يوميا، نوصي بتشغيلها على الدورة السريعة مرة أو مرتين يوميا حتى تكوني جاهزة للدورة الكاملة. في حال استمرار وجود الرائحة قومي بالشطف بالخل من خلال الدورة التلقائية بوضع مكبايلين (٥٠٠ ملي لتر) من الخل الأبيض في كوب في وضع قائم في الرف السفلي. بدون إضافة مسحوق. نوصي بالحفاظ على الغسالة وفقا للتعليمات الواردة في دليل الصيانة من قبل المستخدم.	الرائحة

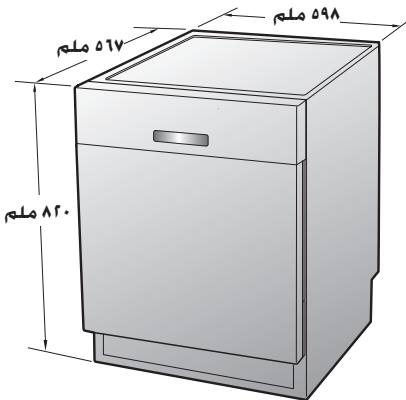
D1453W(L,M,T,B,C,D,A)F
D1463W(L,M,T,B,C,D,A)F



D1453W(L,M,T,B,C,D,A)B
D1463W(L,M,T,B,C,D,A)B



D1453W(L,M,T,B,C,D,A)U
D1463W(L,M,T,B,C,D,A)U



السعة	١٤ مكان للضبب
الوزن	على ملصق المعدل
مزود الطاقة	على ملصق المعدل
استهلاك الطاقة	على ملصق المعدل
ظغط تزويد الماء	٥٠ ~ ٨٠٠ كيلو بار



يمكنك أيضًا الحصول على دليل المستخدم في نسخة فيديو من الرابط التالي

www.lg.com/steamdishwasher