



OWNER'S MANUAL

KOMPRESSOR *FOLLOW* ^{'''}ME™

VACUUM CLEANER

This information contains important instructions for the safe use and maintenance of the vacuum cleaner. Especially, please read all of the information on page 4, 5 for your safety. Please keep this manual in an easily accessible place and refer to it anytime.

VK9120UHAQ



MFL67262702

www.lg.com

Table of contents

Important safety instructions	4~5
How to use	6~16
Assembling vacuum cleaner	6
Operating vacuum cleaner	8
Using all floor nozzle.....	9
Cleaning all floor nozzle.....	10
Using hard floor nozzle / mini turbine nozzle	11
Using the accessory nozzles	12
FOLLOW ME function.....	13
Emptying dust tank	14
Cleaning dust tank	15
Cleaning air filter and motor safety filter	16
How to assemble dust separator	17
Cleaning exhaust filter	18
What to do if your vacuum cleaner does not work	19
What to do if FOLLOW ME function does not work	19
What to do when the suction performance decreases	19

IMPORTANT SAFETY INSTRUCTIONS

Read and follow all instructions before using your vacuum cleaner to prevent the risk of fire, electric shock, personal injury, or damage when using the vacuum cleaner. This guide do not cover all possible conditions that may occur. Always contact your service agent or manufacturer about problems that you do not understand. This appliance complies with the following EC Directives :-2006/95/EC Low Voltage Directive -2004/108/EC EMC Directive.



This is the safety alert symbol.

This symbol alerts you to potential hazards that can kill or hurt you and others.

All safety messages will follow the safety alert symbol and either the word "WARNING" or "CAUTION."

These words mean:



WARNING

This symbol will alert you to hazards or unsafe practices which could cause serious bodily harm or death.



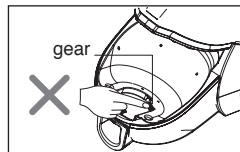
CAUTION

This symbol will alert you to hazards or unsafe practices which could cause bodily injury or property damage.



WARNING

- **Do not plug in if control knob is not in OFF position.** Personal injury or product damage could result.
- **Keep children away and beware of obstructions when rewinding the cord to prevent personal injury** The cord moves rapidly when rewinding.
- **Disconnect electrical supply before servicing or cleaning the unit or when cleaner is not in use.** Failure to do so could result in electrical shock or personal injury.
- **Do not use vacuum cleaner to pick up anything that is burning or smoking such as cigarettes, or hot ashes.** Doing so could result in death, fire or electrical shock.
- **Do not vacuum flammable or explosive substances such as gasoline, benzene, thinners, propane (liquids or gases).** The fumes from these substances can create a fire hazard or explosion. Doing so could result in death or personal injury.
- **Do not handle plug or vacuum cleaner with wet hands.** Doing so could result in death or electrical shock.
- **Do not unplug by pulling on cord.** Doing so could result in product damage or electrical shock. To unplug, grasp the plug, not the cord.
- **Keep hair, loose clothing, fingers, and all parts of the body away from openings and moving parts.** Failure to do so could result in electrical shock or personal injury.
- **Do not pull or carry by cord, use cord as a handle, close a door on cord, or pull cord around sharp edges or corners. Do not run vacuum cleaner over cord. Keep cord away from heated surfaces.** Failure to do so could result in electrical shock or personal injury or fire or product damage.
- **The hose contains electrical wires. Do not use it if it is damaged, cut punctured.** Failure to do so could result in death, or electrical shock.
- **Do not allow to be used as toy. Close attention is necessary when used by or near children.** Personal injury or product damage could result.
- **Do not use the vacuum cleaner if the power cord or plug is damaged or faulty.** Personal injury or product damage could result. In these cases, contact LG Electronics Service Agent to avoid hazard.
- **Do not use vacuum cleaner if it has been under water.** Personal injury or product damage could result. In these cases, contact LG Electronics Service Agent to avoid hazard.
- **Do not continue to vacuum if any parts appear missing or damaged.** Personal injury or product damage could result. In these cases, contact LG Electronics Service Agent to avoid hazard.
- **Do not use an extension cord with this vacuum cleaner.** Fire hazard or product damage could result.
- **Using proper voltage.** Using improper voltage may result in damage to the motor and possible injury to the user. Proper voltage is listed on the bottom of vacuum cleaner.
- **Turn off all controls before unplugging.** Failure to do so could result in electrical shock or personal injury.
- **Do not change the plug in any way.** Failure to do so could result in electrical shock or personal injury or product damage. Doing so result in death. If plug does not fit, contact a qualified electrician to install the proper outlet. If the supply cord is damaged, it must be replaced by the manufacturer, its service agent or similarly qualified persons in order to avoid a hazard.
- **Repairs to electrical appliances may only be performed by qualified service engineers.** Improper repairs may lead to serious hazards for the user.
- **Do not put fingers near the gear.** Failure to do so could result in personal injury.



IMPORTANT SAFETY INSTRUCTIONS

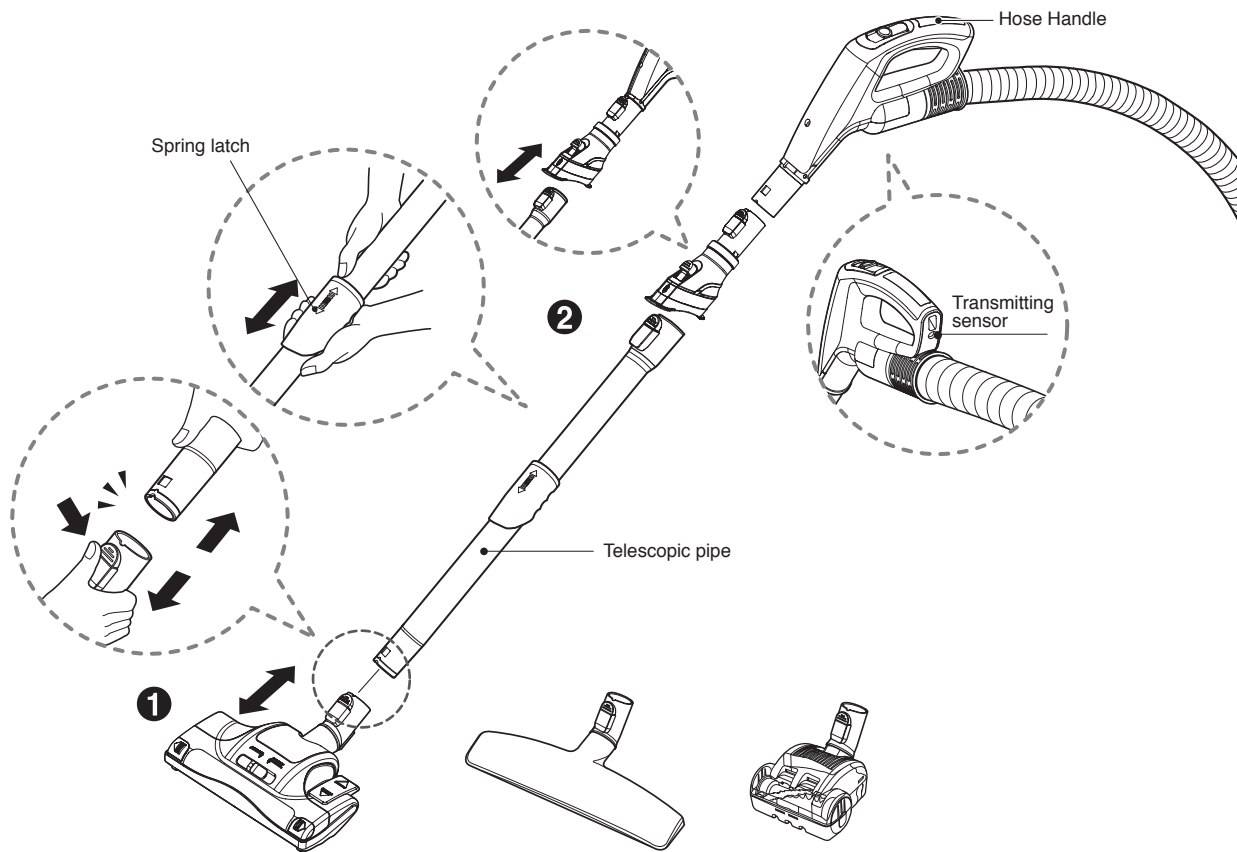
CAUTION

- **Do not put any objects into openings.**
Failure to do so could result in product damage.
- **Do not use with any opening blocked: keep free of dust, lint, hair, and anything that may reduce air flow.**
Failure to do so could result in product damage.
- **Do not use vacuum cleaner without the dust tank and/or filters in place.**
Failure to do so could result in product damage.
- **Always clean the dust bin after vacuuming carpet cleaners or fresheners, powders and fine dust.**
These products clog the filters, reduce airflow and can cause damage to the cleaner. Failure to clean the dust bin could cause permanent damage to the cleaner.
- **Do not use vacuum cleaner to pick up sharp hard objects, small toys, pins, paper clips, etc.**
They may damage the cleaner or dust bin.
- **Store the vacuum cleaner indoors.**
Put the vacuum cleaner away after use to prevent tripping over it.
- **The vacuum cleaner is not intended to use by young children or infirm people without supervision.**
Failure to do so could result in personal injury or product damage.
- **Only use parts produced or recommended by LG Electronics Service Agents.**
Failure to do so could result in product damage.
- **Use only as described in this manual. Use only with LG recommended or approved attachments and accessories.**
Failure to do so could result in personal injury or product damage.
- **To avoid personal injury and to prevent the machine from falling when cleaning stairs, always place it at the bottom of stairs.**
Failure to do so could result in personal injury or product damage.
- **Use accessory nozzles in sofa mode.**
Failure to do so could result in product damage.
- **Do not grasp the tank handle when you are moving the vacuum cleaner.**
The vacuum cleaner's body may fall when separating tank and body. Personal injury or product damage could result. You should grasp the carrier handle when you are moving the vacuum cleaner. (Page 14)
- **If after emptying the dust tank the alarm sounds, clean the dust tank.**
Failure to do so could result in product damage.
- **Make sure the filters (motor safety filter and air filter) are completely dry before replacing in the machine.**
Failure to do so could result in product damage.
- **Do not dry the filter in an oven or microwave.**
Failure to do so could result in fire hazard.
- **Do not dry the filter in a clothes dryer.**
Failure to do so could result in fire hazard.
- **Do not dry near an open flame.**
Failure to do so could result in fire hazard.
- **Do not use filters that is not dried.**
- **If the power cord is damaged, it must be replaced by an approved LG Electronics Service Agent to avoid a hazard.**
- **This appliance is not intended for use by persons (including children) with reduced physical, sensory or mental capabilities, or lack of experience and knowledge, unless they have been given supervision or instruction concerning use of the appliance by a person responsible for their safety.**
Children should be supervised to ensure that they do not play with the appliance.
- **Do not approach to vacuum cleaner suddenly, when FOLLOW ME function activated.**
Failure to do so could result in personal injury or product damage.

Thermal protector :

This vacuum cleaner has a special thermostat that protects the vacuum cleaner in case of motor overheating. If the vacuum cleaner suddenly shuts off, turn off the switch and unplug the vacuum cleaner. Check the vacuum cleaner for possible source of overheating such as a full dust tank, a blocked hose or clogged filter. If these conditions are found, fix them and wait at least 30 minutes before attempting to use the vacuum cleaner. After the 30 minute period, plug the vacuum cleaner back in and turn on the switch. If the vacuum cleaner still does not run, contact a qualified electrician.

How to use Assembling vacuum cleaner

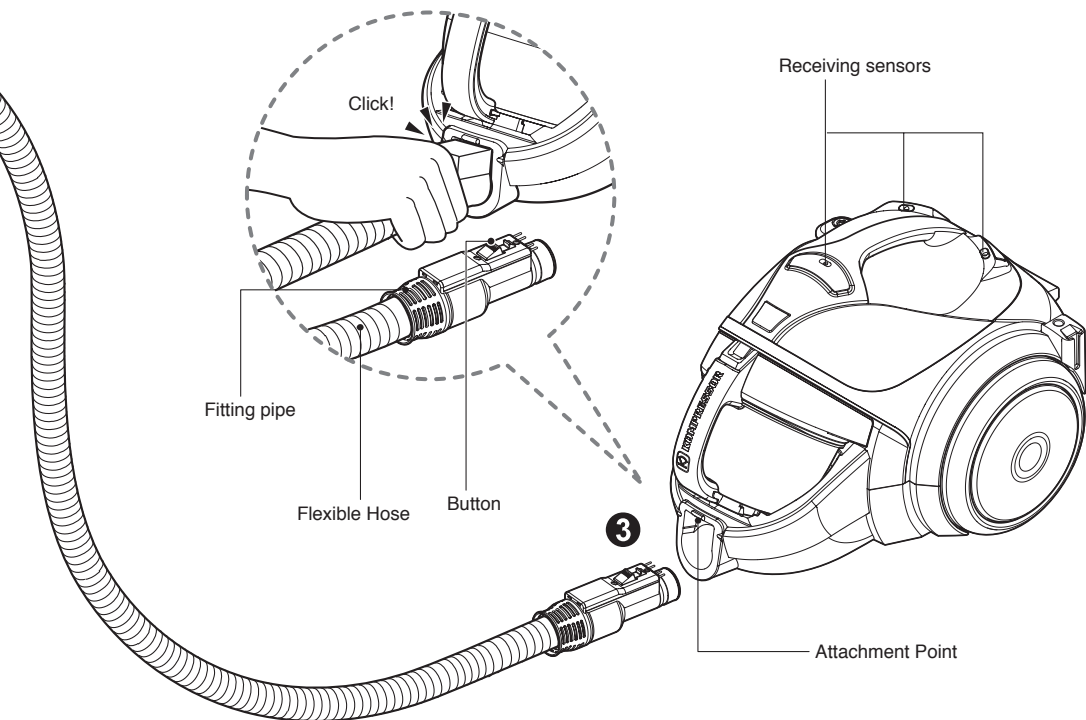


❶ All floor nozzle

Push the nozzle into the telescopic pipe.

❷ Telescopic pipe

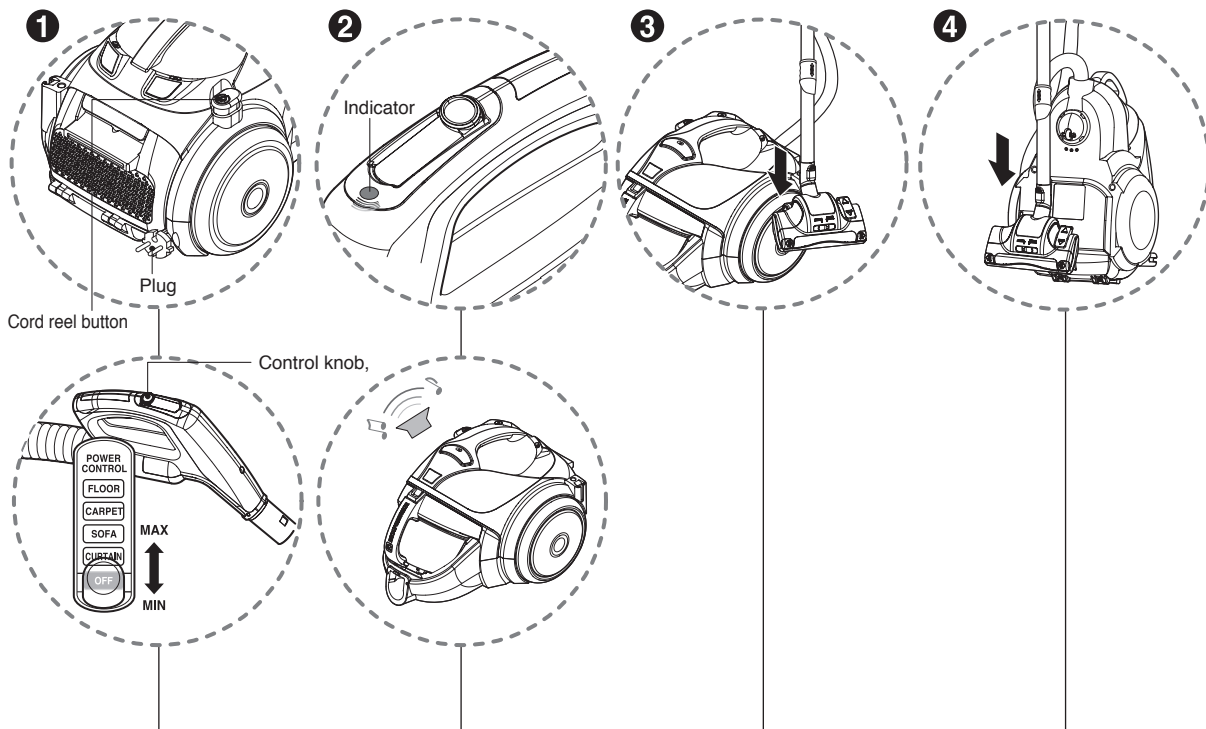
- Push telescopic pipe firmly into hose handle.
- Grasp the spring latch to expand.
- Pull out the pipe to desired length.



3 Connecting the hose to the vacuum cleaner

Push the fitting pipe on the flexible hose into the attachment point on the vacuum cleaner. To remove the flexible hose from the vacuum cleaner, press the button situated on the fitting pipe, then pull the fitting pipe out of the vacuum cleaner.

How to use Operating vacuum cleaner



1 How to operate

2 Indicator and alarm sound

3 Park mode

4 Storage

- Pull out the power cord to the desired length and plug into the socket.
- Slide the control knob of the hose handle to operate vacuum cleaner.
- To turn off, slide the control knob to off position.
- Press the cord reel button to rewind the power cord after use.

- The indicator light of the hose handle is on and alarm will sound when dust tank is full. After about 1 min 30 sec, vacuum cleaner will turn itself off and alarm will sound. Empty the dust tank and reuse the vacuum cleaner.

- Slide the control knob to off position before park.
- To store during vacuuming, for example to move a small piece of furniture or a rug, use park mode to support the flexible hose and nozzle.
 - Slide the hook on the nozzle into the slot on the side of vacuum cleaner.

- When you have switched off and unplugged the vacuum cleaner, press the cord reel button to automatically rewind the cord.
- You can store your vacuum cleaner in a vertical position by sliding the hook on the nozzle into the slot on the underside of the vacuum cleaner.

NOTICE

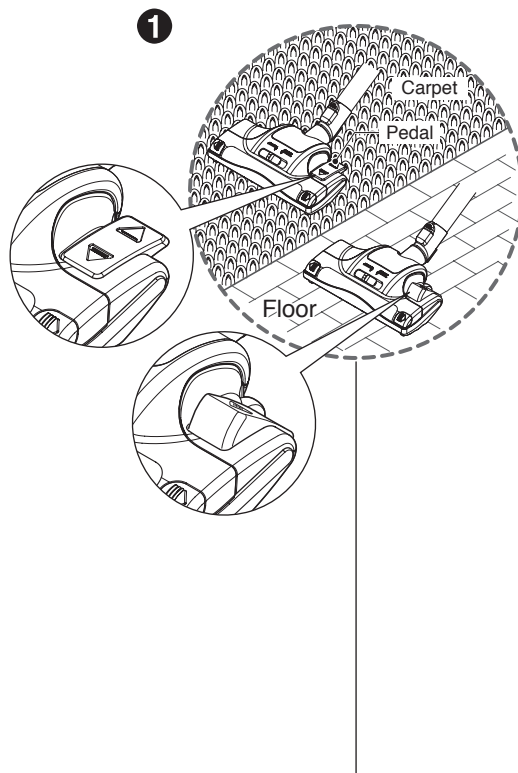
When indicator light flickers and alarm sounds :

1. Dust tank is full
 - ➔ Turn off and empty dust tank
2. Power is on without dust tank or dust tank is not installed clearly
 - ➔ Turn off and reattach dust tank

⚠ WARNING

No liquid suction.
Liquid suction can cause defects.

How to use Using all floor nozzle




1 All floor nozzle


• The 2 position nozzle

This is equipped with a pedal which allows you to alter its position according to the type of floor to be cleaned.

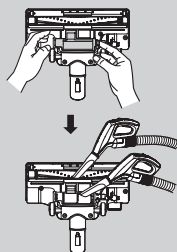
• Carpet or rug position

Press the pedal (), then brush will rotate

• Hard floor position

Press the pedal (), then brush will stop rotating

• Cleaning all floor nozzle



• Open the cover by pulling the hook.

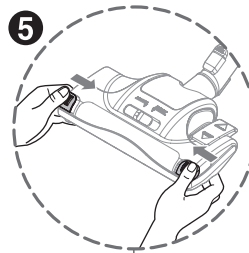
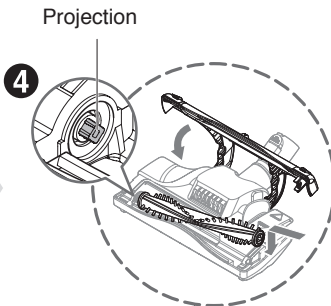
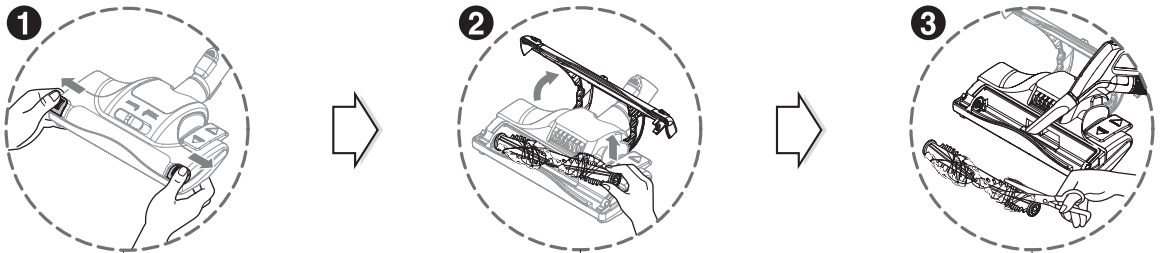
• Clean the hole and brush of the nozzle.

How to use Cleaning all floor nozzle

⚠ CAUTION

Personal injury hazard.

Always unplug the vacuum cleaner before cleaning. Failure to do so could result in personal injury.



① Push the lever outside.

② Open the cover and put up the brush.

⚠ Do not touch the brush because the brush is so hot after turning off the vacuum cleaner.

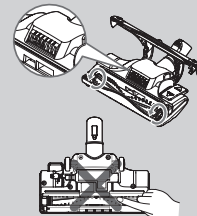
③ Clean the brush and nozzle.

④ Push the brush into the projection, put down the brush and close the cover.

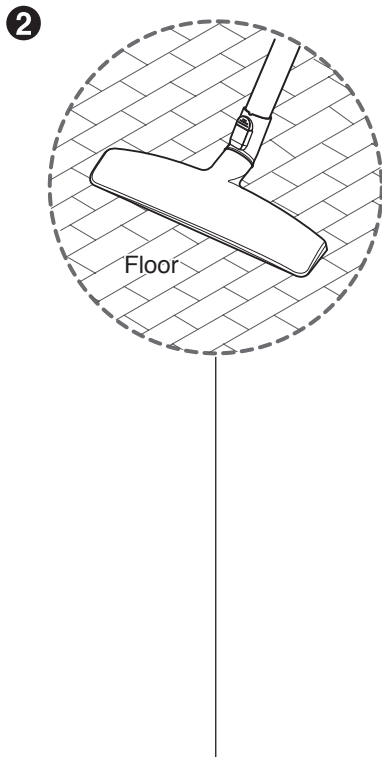
⑤ Push the lever inside.

⚠ CAUTION

- Do not block up the hole by hand or another object (paper, fabric, stockings, etc) when open the cover.
- Do not touch the brush when nozzle is overturned.

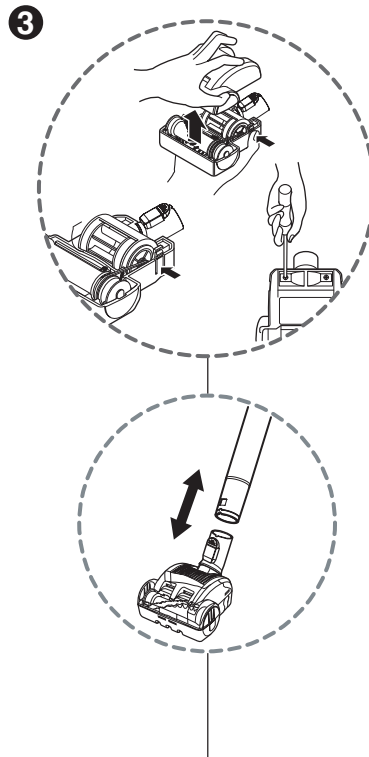


How to use Using hard floor nozzle / mini turbine nozzle



② Hard floor nozzle

- Efficient cleaning of hard floors (wood, linoleum, etc)

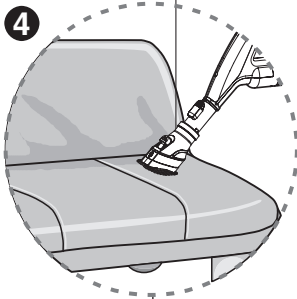


③ Mini turbine nozzle

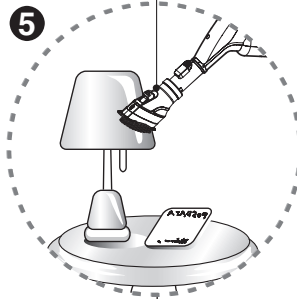
- Mini turbine is used for stairs and other hard to reach places.
- To clean the mini turbine nozzle, remove the nozzle cover : Remove 2 screws on the bottom and take mini turbine nozzle cover off as shown.
- Frequently clean and remove hair, string, and lint build-up in the brush area. Failure to do so could damage the mini turbine nozzle.

How to use Using the accessory nozzles

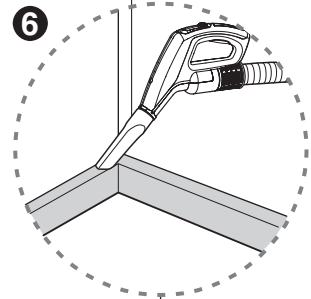
Upholstery nozzle



Dusting brush



Crevice tool



④ Upholstery nozzle

⑤ Dusting brush

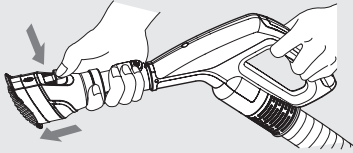
⑥ Crevice tool

Upholstery nozzle is for vacuuming upholstery, mattresses etc.

Dusting brush is for vacuuming picture frames, furniture frames, books and other irregular surfaces.

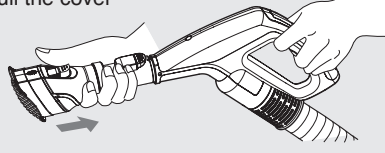
Crevice tool is for vacuuming in those normally hard-to-reach places such as reaching cobwebs or between the cushions of a sofa.

Push the button



<Upholstery nozzle mode>

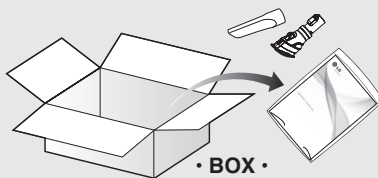
Pull the cover



<Dusting brush mode>

NOTICE

Use accessory in the sofa mode



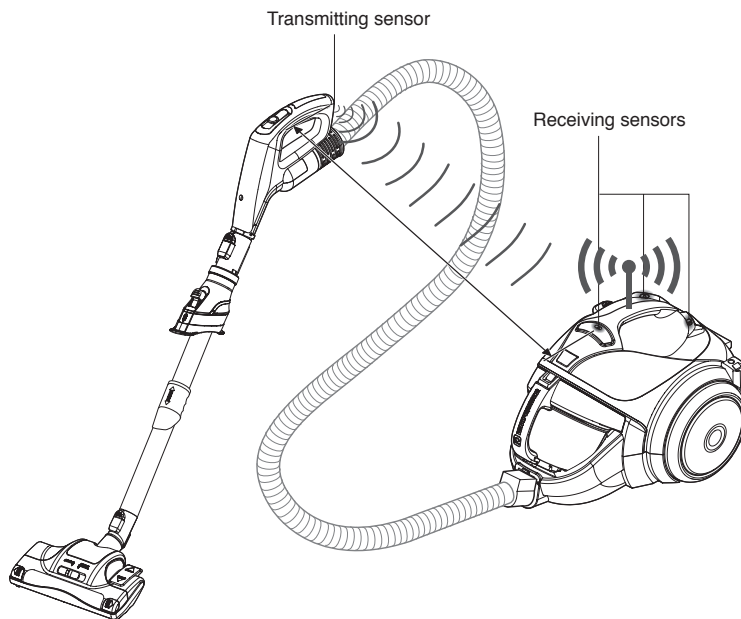
• Accessory nozzles included in the "BOX" with owner's manual.

How to use FOLLOW ME function

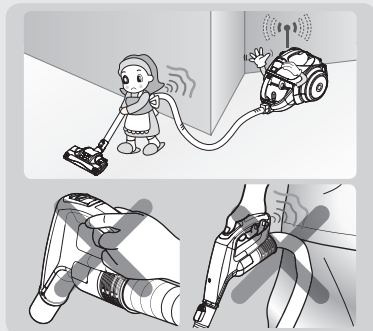
FOLLOW ME function can measure distance between the user and vacuum cleaner.

After the measurement, vacuum cleaner will move automatically to keep a constant distance (about 1.0m) between the user and the vacuum cleaner.

When distance between transmitting sensor in the grip handle and receiving sensors on the vacuum cleaner becomes more than 1m, Vacuum cleaner will move automatically toward the user.



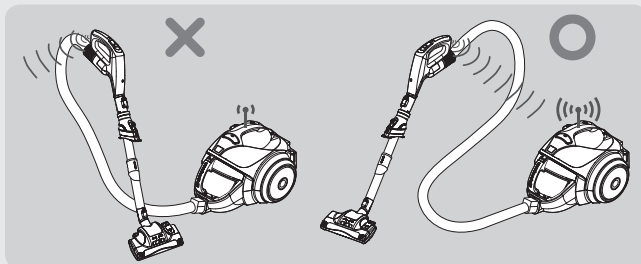
- When using vacuum cleaner, be careful not to block the transmitting sensor by wall or body. If transmitting sensor was blocked, FOLLOW ME function cannot work properly.



NOTICE

For your safety, if abnormal electrical noise occurred, the speed of the wheel could be changed instantaneously.

- Keep the direction of grip handle to receiving sensors for sending the signal. If the hose points the wrong direction, FOLLOW ME function cannot work properly.



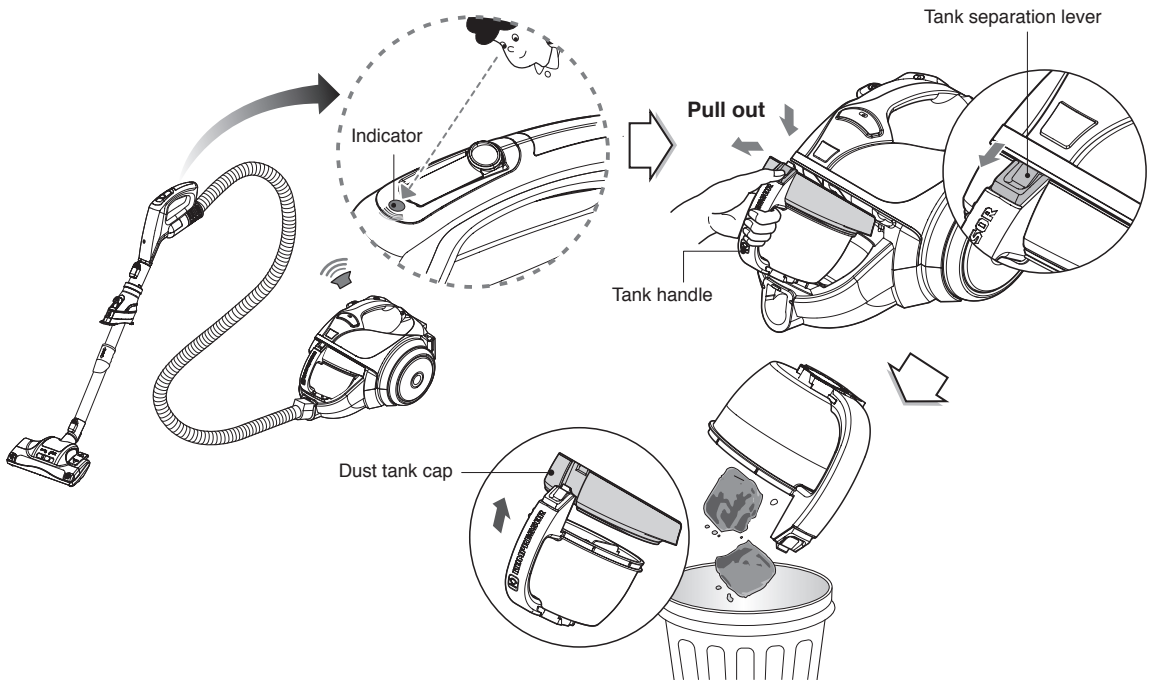
NOTICE

Do not put liquid such as water and drink in transmitting sensor and receiving sensors.

FOLLOW ME function cannot work properly.

How to use Emptying dust tank

Indicator on hose is flickering for 1 minute, it sounds “ding~ding” like a buzzer from vacuum body. In 30 seconds, suction power will decrease, it stops operating automatically.



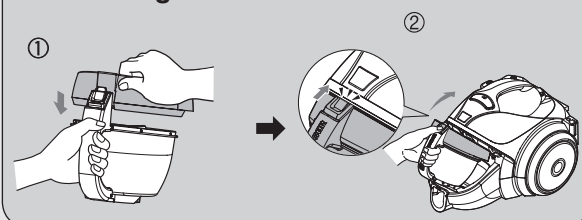
The dust tank needs emptying when indicator light is on.

- Turn off the vacuum cleaner and unplug it.
- Grasp the handle of the tank and then press the tank separation lever.
- Pull out the dust tank.
- Empty the tank and then assemble the dust tank as below.

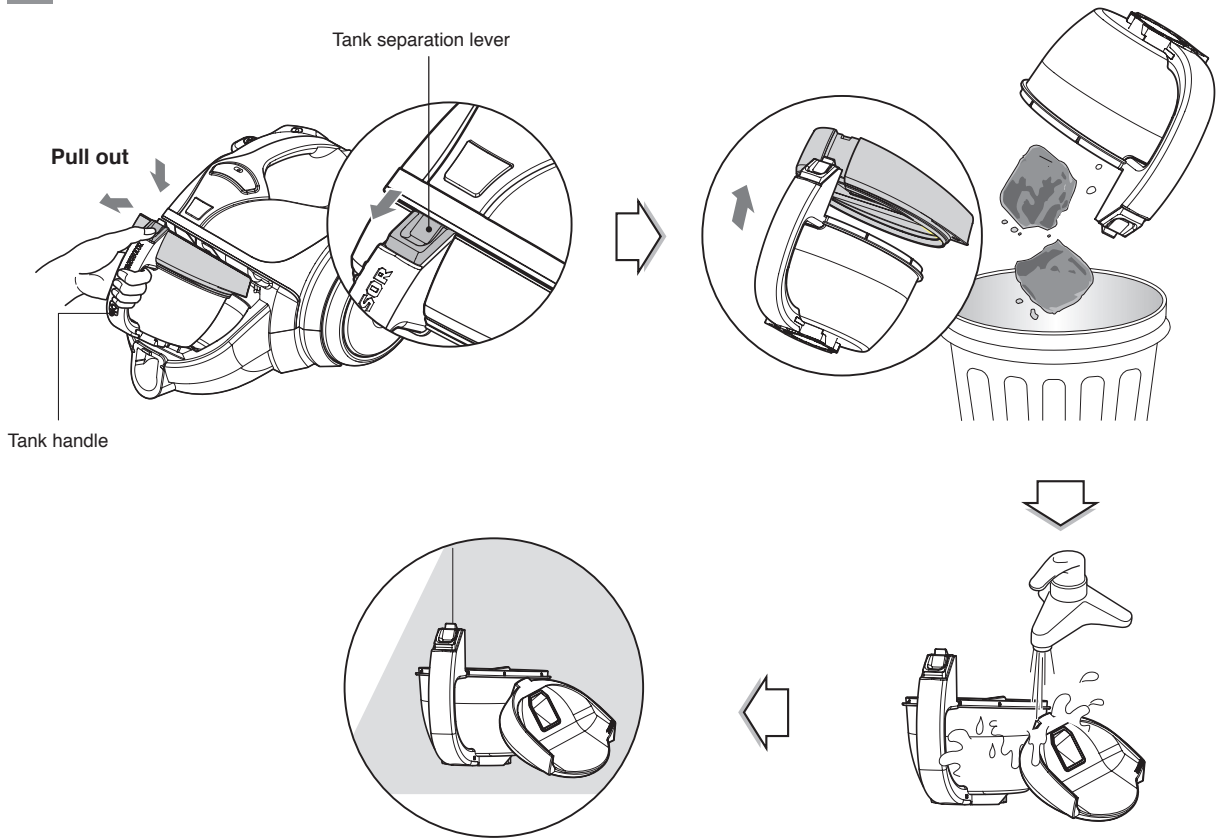
Moving the vacuum cleaner

- Don't grasp the tank handle when you are moving the vacuum cleaner.
The vacuum cleaner's body may fall when separating tank and body.
You should grasp the carrier handle when you are moving the vacuum cleaner.

Assembling dust tank



How to use Cleaning dust tank



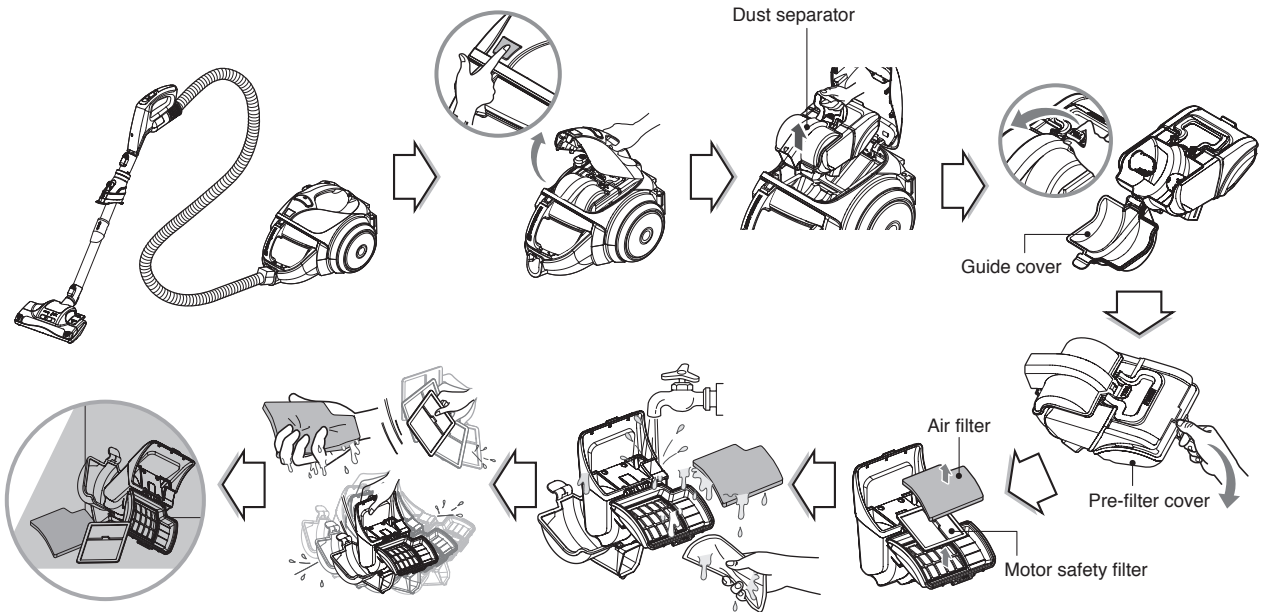
- Press tank separation lever and pull out dust tank.
- Raise dust tank cap
- Dry fully in shade so that moisture is entirely removed.

NOTICE

If suction power decreases after cleaning dust tank, reassemble the dust tank and check for other obstacles.
➔ Next page

How to use

Cleaning air filter and motor safety filter



⚠ WARNING

Dry fully for more than 24 hours in shade.

If suction power is decreased after cleaning dust tank, clean air filter and motor safety filter.

Air filter and motor safety filter are located at the up of vacuum cleaner in the above figure.

- Push the body cover button, open the body cover.
- Hold dust separator handle and pull it upward.
- Open the guide cover by pulling the guide cover lever and remove the dust.
- Open prefilter cover.
- Pull out the air filter and motor safety filter.
- Clean air filter and motor safety filter with running water.
- Do not wash filters with hot water.
- Eliminate water thoroughly
- Dry it under well-ventilated shade for a day.
- The air filter and the motor safety filter should be cleaned as above the figure.

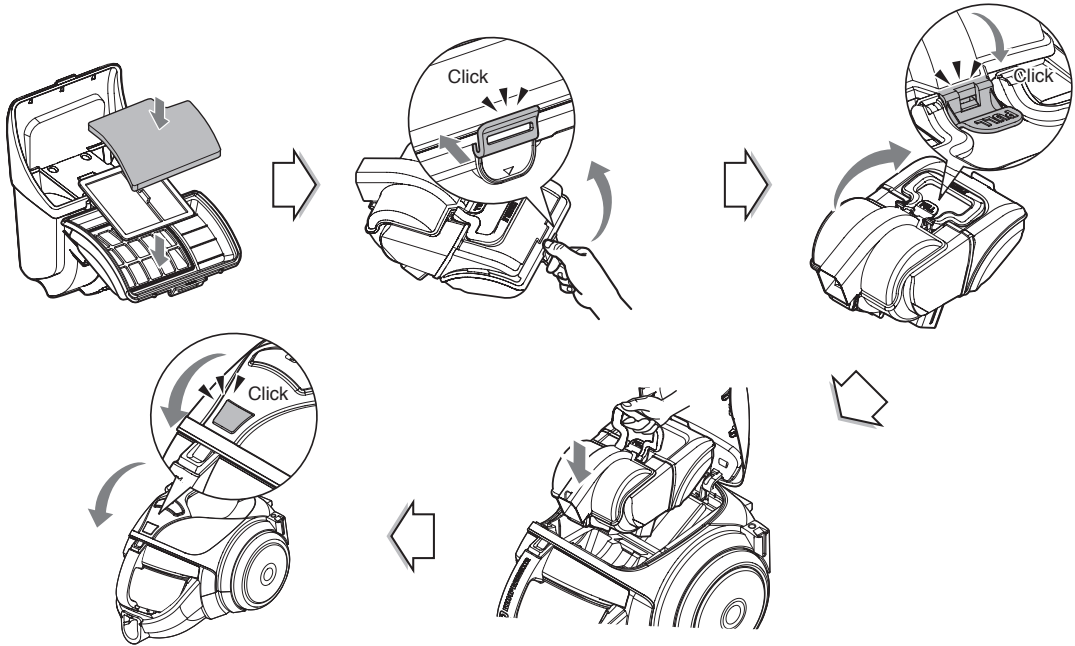
NOTICE

If filters are damaged, do not use them.
In this cases, contact LG Electronics Service Agent.
Wash filters at least once a month.

How to use

How to assemble dust separator

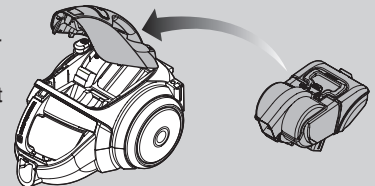
⚠ CAUTION Assembling will be conducted in opposite order of separation.
Use the vacuum after assembling the dust separator fully.



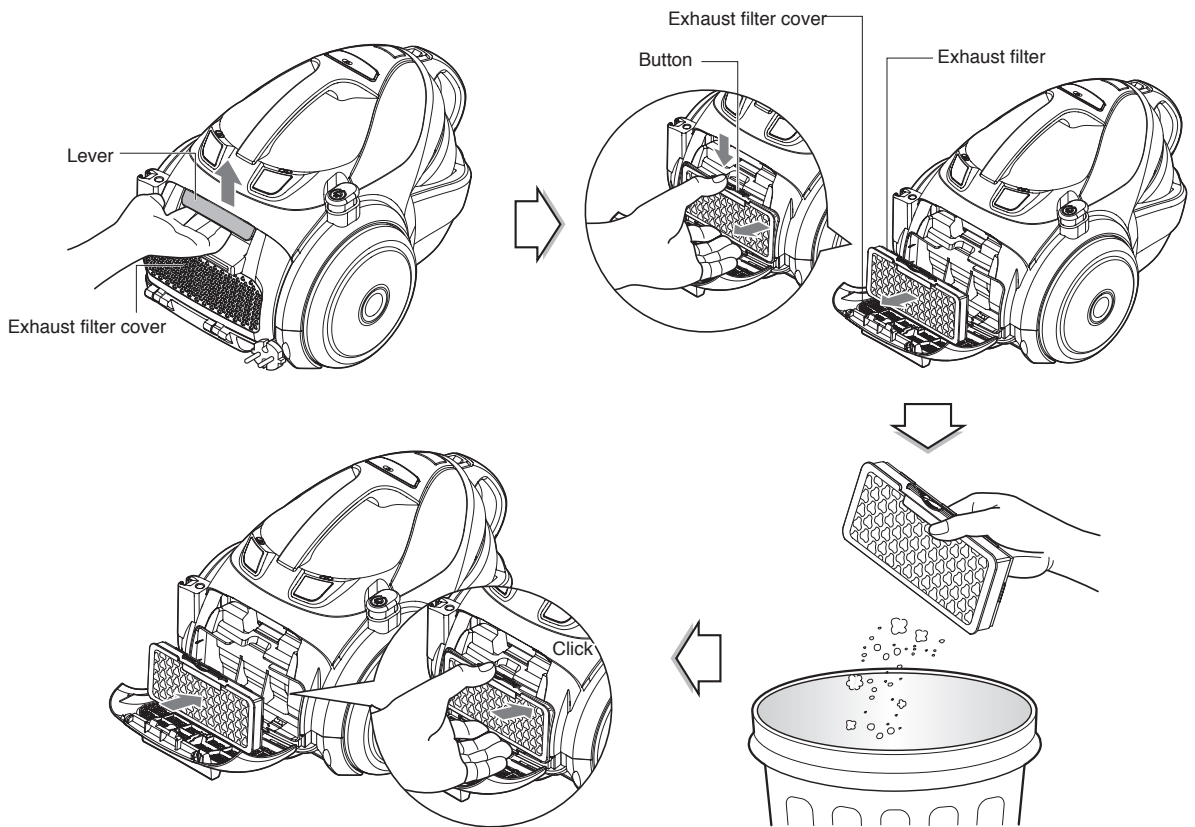
- Insert the air filter and motor safety filter.
- Close the prefilter cover.
- Close the guide cover.
- Hold the dust separator handle and put it down to connect it clearly.
- Close the body cover.

⚠ CAUTION

- If there is no dust separator or dust separator is not installed clearly, cover will not be closed.
- If it is not installed clearly, pull the dust separator out and re-assemble it.
- Do not operate the vacuum cleaner when the body cover is not close.
- It can be the cause of malfunction



How to use Cleaning exhaust filter



- The exhaust filter is reusable.
- To clean the exhaust filter, remove the exhaust filter cover on the body by pulling it out.
- Separate the exhaust filter.
- Dust off filter. (Do not wash filter with water.)
- The exhaust filter should be cleaned at least a year.

Exhaust filter cover assembling

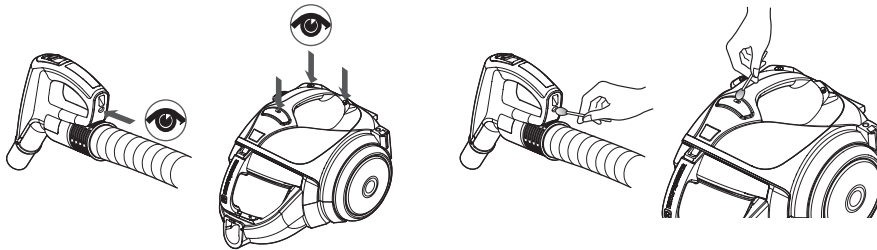
- Fit exhaust filter cover lugs to the grooves of vacuum cleaner body.
- Join it the body.

What to do if your vacuum cleaner does not work

Check that the vacuum cleaner is plugged in correctly and that the electrical socket is working.

What to do if FOLLOW ME function does not work.

- Check the transmitting sensor and receiving sensors
- Please make sure that is blocked by obstacles (wall, clothes, etc.).
If the sensors were blocked, FOLLOW ME function cannot work properly.
- If transmitting sensor and receiving sensors were blocked by dust, clean the sensors using a cotton swab.
Clean the sensor holes using a cotton swab periodically



What to do when the suction performance decreases

- Turn off the vacuum cleaner and unplug it.
- Check the telescopic pipe, flexible hose and cleaning tool for blockages or obstructions.
- Check that the dust tank is not full. Empty if necessary.
- Check that dust separator is not clogged with obstruction. Eliminate it.
- Check that the exhaust filter is not clogged. Clean the exhaust filter if necessary.
- Check that the air filter and motor safety filter of dust separator is not clogged.
Clean the air filter and motor safety filter if necessary.



WARNING

Should it become necessary to replace the moulded plug then the defective plug should be replaced by a qualified electrician.

