

User's Guide Specification

담당	관리자	
GW Lee 12.02.07	HJ Shin 12.02.07	JO Kim 12.02.07

1. Model Description

MODEL	32CS560-ZD	BRAND	LG	Part No.	MFL67469008 (1204-REV02)
SUFFIX	RU	Product Name	32/42/47CS56**		

2. Printing Specification

1. Trim Size (Format) : 182mm x 257 mm
2. Printing Colors
 - Cover : 1 COLOR (BLACK)
 - Inside : 1 COLOR (BLACK)
3. Stock (Paper)
 - Cover : Uncoated paper , 백상지 60 g/m²
 - Inside : Uncoated paper , 백상지 60 g/m²
4. Printing Method : Off-set
5. Bindery : Saddle Stitch
6. Language : Eng/Rus/Kaz/Ukr (4)
7. Number of pages : 64 pages

Notes

This part contains Eco-hazardous substances (Pb, Cd, Hg, Cr6+, PBB, PBDE, etc.) within LG standard level, Details should be followed Eco-SCM management standard[LG(56)-A-2524]. Especially, Part should be followed and controlled the following specification.
 (1) Eco-hazardous substances test report should be submitted when Part certification test and First Mass Production.
 (2) Especially, Don't use or contain lead(Pb) and cadmium(Cd) in ink.

3. Special Instructions

(1) Origin Notification

- * LGEIN: Printed in Indonesia
- * LGEWA : Printed in U.K.
- * LGESP : Printed in Brazil
- * LGEMX : Printed in Mexico
- * LGEND/NP : Printed in China
- * LGEIL : Printed in India
- * LGEMA : Printed in Poland

4. Changes

△8				
△7				
△6				
△5				
△4				
△3				
△2	Apr./06/12	Gwoon LEE	EKLC400573	Deleted the sentence of DVB logo.
△1	Mar./11/12	Gwoon LEE	EKLC300759	Changed the Simplink contents.
REV. NO.	MM/DD/YY	SIGNATURE	CHANGE NO.	CHANGE CONTENTS

Pagination sheet

P/NO. **MFL67469008**

Total pages : 64 pages

	LG Front cover P/no	2	3	4	5	Blank	
LG(EN) Front cover	2	3	13	14
LG(Rus) Front cover	2	3	13	14
LG(Kaz) Front cover	2	3	13	14
LG(Ukr) Front cover	2	3	13	14	LG(Eng) Back cover
					Blank		



OWNER'S MANUAL LCD TV

Please read this manual carefully before operating your set and retain it for future reference.

CS56**

P/NO : MFL67469008 (1204-REV02)
Printed in Korea

www.lg.com

1. ATTACHING THE STAND

2. TIDYING CABLES

3. NOT USING THE DESK TYPE STAND

4. CONNECTING YOUR UNIT

5. APPLIED LANGUAGE LIST

English
Русский
Қазақша
Українська

6. TABLE OF CONTENTS

SAFETY INSTRUCTIONS

Precaution in Installing the Product
Electrical Power Related Precautions
Precautions When Moving the Product
Precautions When Using the Product

INSTALLATION PROCEDURE

ASSEMBLING AND PREPARING

Unpacking
Parts and buttons
Mounting on a table
Mounting on a wall

REMOTE CONTROL

WATCHING TV

Connecting an antenna
Turning the TV on for the first time

TROUBLESHOOTING

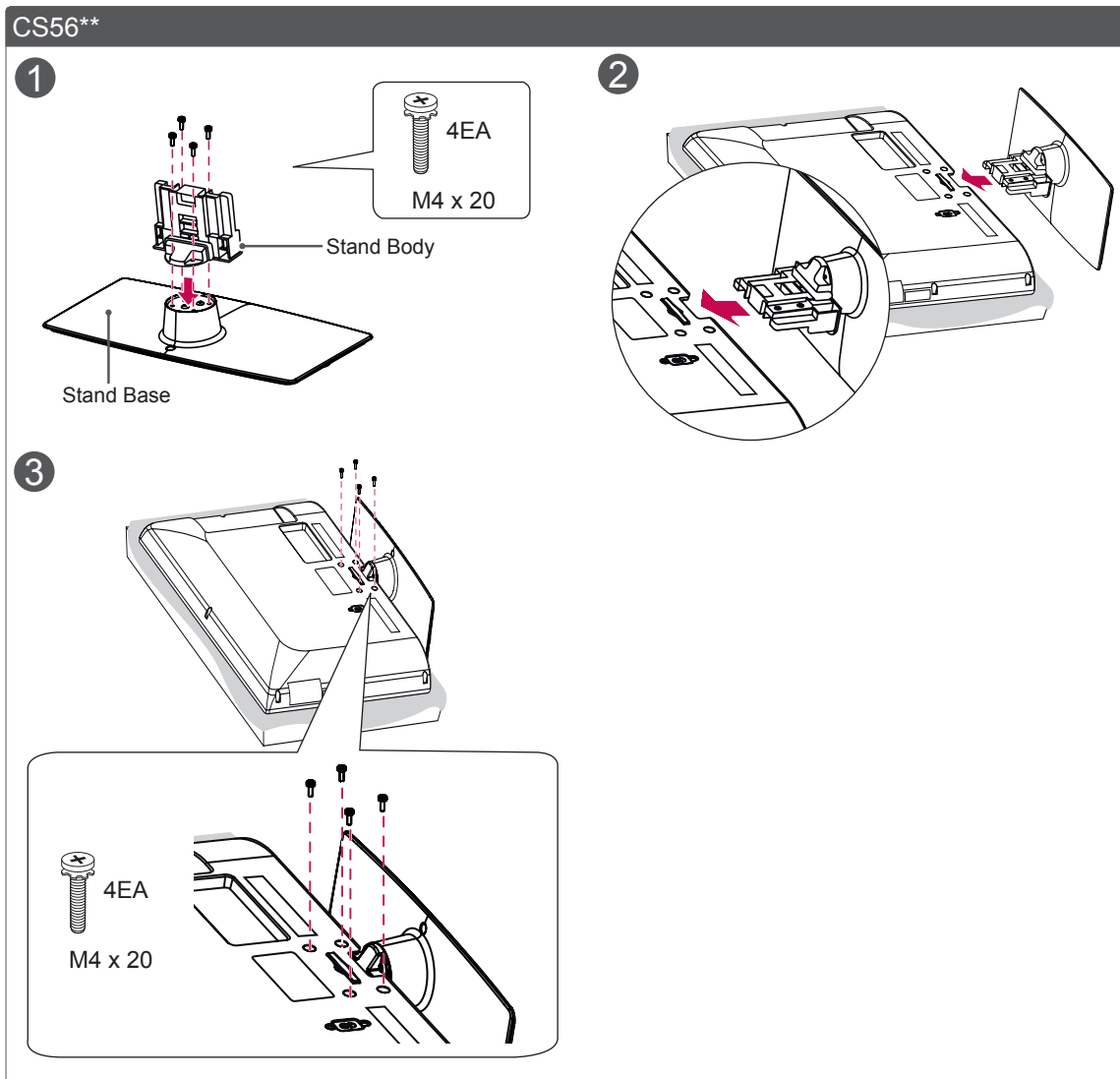
SPECIFICATIONS

OPEN SOURCE SOFTWARE NOTICE

ADDITIONAL INFORMATION OF THE MANUAL

ATTACHING THE STAND

- Image shown may differ from your TV.



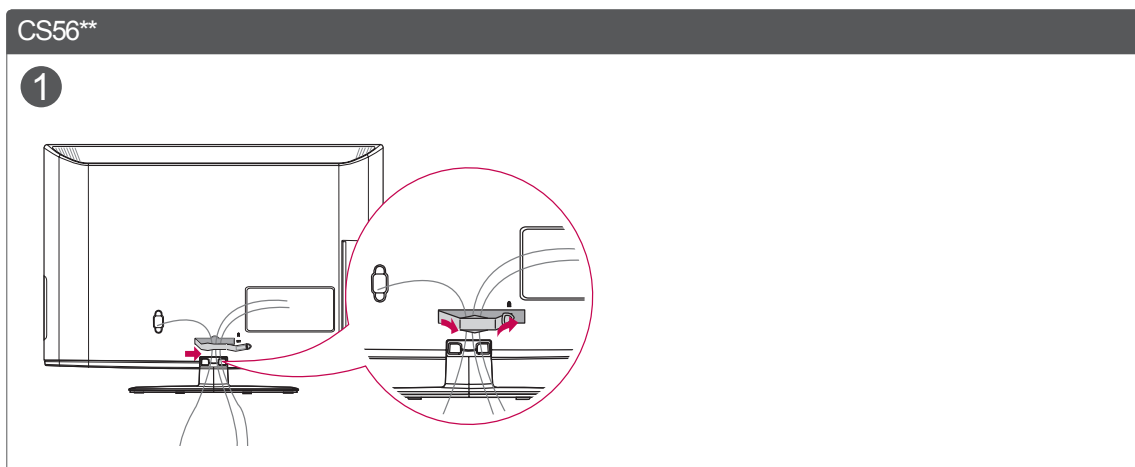
⚠ CAUTION

- When attaching the stand to the TV set, place the screen facing down on a cushioned table or flat surface to protect the screen from scratches.
- Tighten the screws firmly to prevent the TV from tilting forward. Do not over tighten.

TIDYING CABLES

- Image shown may differ from your TV.

- 1 Gather and bind the cables with the cable management clip.
- 2 Fix the cable management climp to the TV.



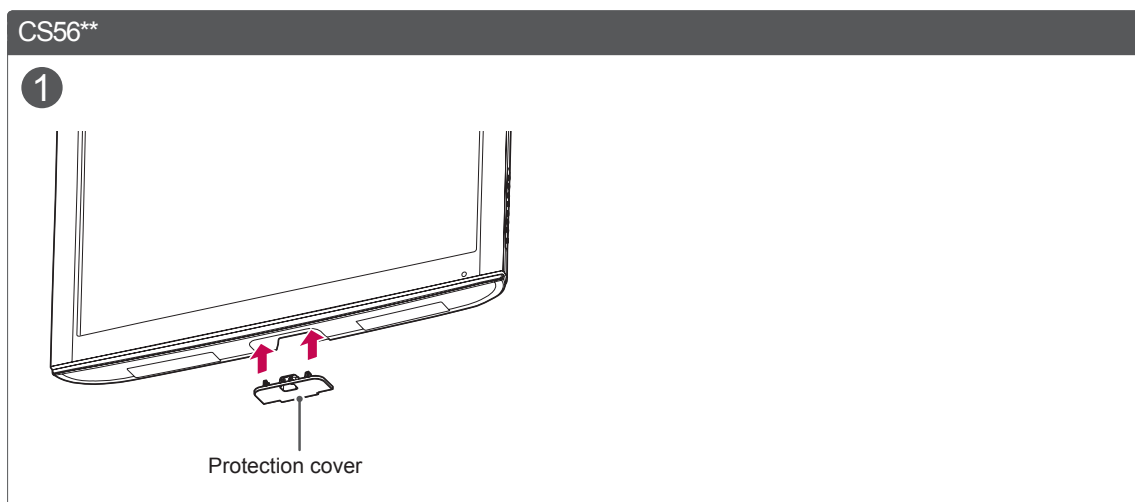
! NOTE

- Do not move the TV by holding the Cable management clip, as the Cable management clip may break, and injuries and damage to the TV may occur.

NOT USING THE DESK TYPE STAND

- Image shown may differ from your TV.

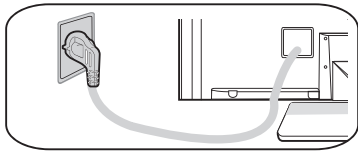
Push the supplied Protection cover into the opening at the bottom of the TV until clicking sound.



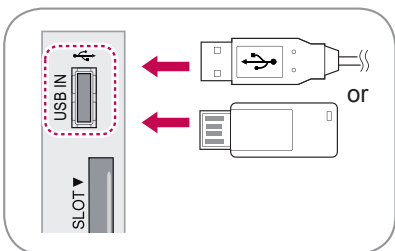
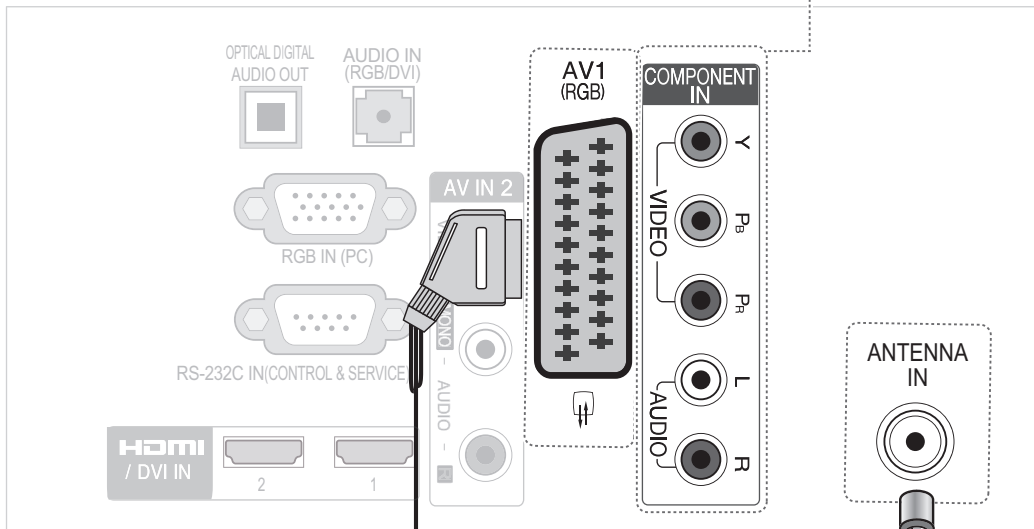
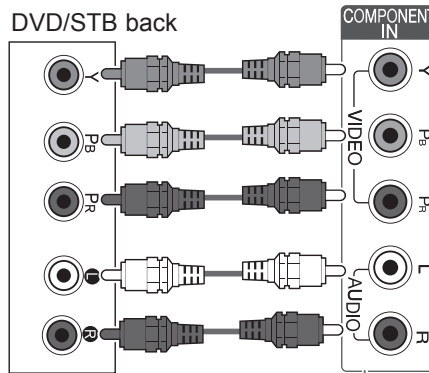
CONNECTING YOUR UNIT

■ Image shown may differ from your TV.

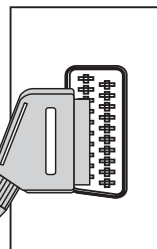
3 Power Cord



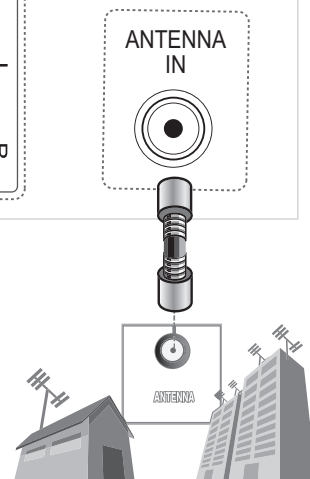
2 DVD/STB



2 VCR Connection



1 Antenna Connection







OWNER'S MANUAL LCD TV

Please read this manual carefully before operating your set and retain it for future reference.

www.lg.com

2 SAFETY INSTRUCTIONS

- Please read these safety precautions carefully before using the product.
- In this manual, the illustration may be somewhat different from your product because it is just example to help the instruction.



- WARNING** • If you ignore the warning message, you may be seriously injured or there is a possibility of accident or death.
- CAUTION** • If you ignore the caution message, you may be slightly injured or the product may be damaged.

PRECAUTION IN INSTALLING THE PRODUCT

WARNING

Keep away from heat sources such as electrical heaters.

- Electrical shock, fire, malfunction or deformation may occur.

Do not use the product in damp place such as a bathroom or any place where it is likely to get wet.

- This may cause a fire or could give an electric shock.

If you can smell smoke or other odours or hear a strange sound unplug the Power cord and contact the service center.

- If you continue to use without taking proper measures, an electrical shock or a fire can occur.

CAUTION

Install the product on a flat and stable place that has no risk of dropping the product.

- If the product is dropped, you may be injured or the product may be broken.

Keep the product away from direct sunlight.

- The product can be damaged.

Do not place the product in a built-in installation such as bookcase or rack.

- Adequate ventilation is required.

ELECTRICAL POWER RELATED PRECAUTIONS

WARNING

Make sure to connect the power cable to a properly earthed outlet.

- You may be electrocuted or injured.

Do not touch the power plug with wet hands. Additionally, if the cord pin is wet or covered with dust, dry the power plug completely or wipe dust off.

- You may be electrocuted due to excess moisture.

During a thunder or lightning storm, unplug the power cable or signal cable.

- You may be electrocuted or a fire can break out.

CAUTION

Protect the Power cord from physical or mechanical abuse, such as being twisted, kinked, pinched, closed in a door, or walked upon. Pay particular attention to plugs, wall outlets, and the point where the cord exits the appliance.



As long as this unit is connected to the AC wall outlet, it is not disconnected from the AC power source even if you turn off this unit by SWITCH.

PRECAUTIONS WHEN MOVING THE PRODUCT

WARNING

Make sure to turn off the product. Make sure to remove all cables before moving the product.

- You may be electrocuted or the product can be damaged.



CAUTION

Do not impact the product when moving it.

- You may be electrocuted or the product can be damaged.

Make the panel face forward and hold it with both hands to move.

- If you drop the product, the damaged product can cause electric shock or fire. Contact your nearest service center for repair.



PRECAUTIONS WHEN USING THE PRODUCT

WARNING

Do not disassemble, repair or modify the product at your own discretion.

- Fire or electric shock accident can occur.
- Contact the service center for check, calibration or repair.



To reduce the risk of fire or electric shock, do not expose this apparatus to rain or moisture. Apparatus should not be exposed to dripping liquids or splashing and no objects filled with liquids, such as vases, should be placed on the apparatus.



Refer all servicing to qualified service personnel. Servicing is required when the apparatus has been damaged in any way, such as power supply cord or plug is damaged, liquid has been spilled or objects have fallen into the apparatus, the apparatus has been exposed to rain or moisture, does not operate normally, or has been dropped.



IMPORTANT INFORMATION TO PREVENT "IMAGE BURN / BURN-IN" ON YOUR TELEVISION SCREEN

- When a fixed image (e.g. logos, screen menus, video game, computer display and teletext pages) is displayed on the television for an extended period it can become permanently imprinted on the screen. This phenomenon is known as "image burn" or "burn-in". Image burn is not covered under the manufacturer's warranty.
- In order to prevent image burn, avoid displaying a fixed image on your television's screen for a prolonged period (2 or more hours for LCD, 1 or more hours for Plasma).
- Image burn can also occur on the letterboxed areas of your television if you use the 4:3 aspect ratio setting for an extended period.

NOTE

- Image shown may differ from your TV.
- Your TV's OSD (On Screen Display) may differ slightly from that shown in this manual.
- The available menus and options may differ from the input source or product model that you are using.
- New features may be added to this TV in the future.
- The TV can be placed in standby mode in order to reduce the power consumption. And the TV should be turned off if it will not be watched for some time, as this will reduce energy consumption.
- The energy consumed during use can be significantly reduced if the level of brightness of the picture is reduced, and this will reduce the overall running cost.

INSTALLATION PROCEDURE

- 1 Open the package and make sure all the accessories are included.
- 2 Attach the stand to the TV set.
- 3 Connect an external device to the TV set.

ASSEMBLING AND PREPARING

Unpacking

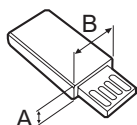
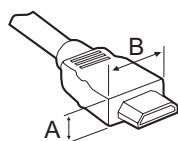
Check your product box for the following items. If there are any missing accessories, contact the local dealer where you purchased your product. The illustrations in this manual may differ from the actual product and item.

CAUTION

- Do not use any unapproved items to ensure the safety and product life span.
- Any damages or injuries by using unapproved items are not covered by the warranty.

NOTE

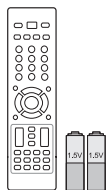
- The items supplied with your product may vary depending on the model.
- Product specifications or contents of this manual may be changed without prior notice due to upgrade of product functions.
- For an optimal connection, HDMI cables and USB devices should have bezels less than 10 mm thick and 18 mm width. Use an extension cable that supports USB 2.0 if the USB cable or USB memory stick does not fit into your TV's USB port.



*A ≤ 10 mm

*B ≤ 18 mm

ENGLISH



Remote control and batteries (AAA)



Owner's manual



Polishing cloth
(Depending on model)
Use this to remove dust from the cabinet.



Screw for assembly
8EA, M4 x 20



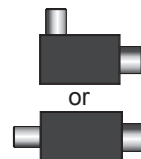
Screw for fixing
(Only 32/42CS56**)



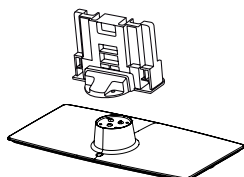
Power Cord



Protection cover



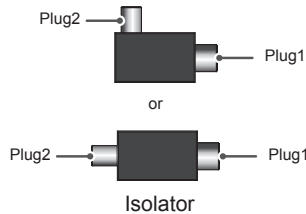
Isolator¹
(Depending on model)



Stand Body / Stand Base

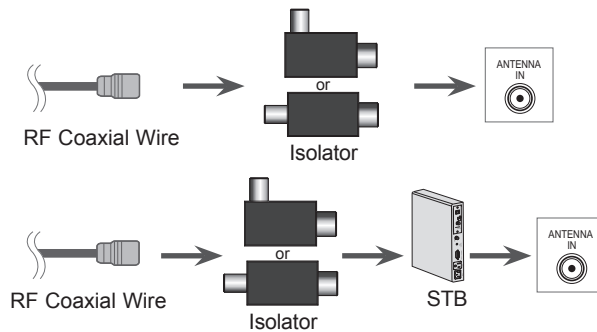
1 Antenna Isolator Installation Guide

- Use this to install TV in a place where there is a voltage difference between GND of power and GND of antenna signal.
 - If there is a voltage difference between GND of power and GND of antenna signal, the antenna contact might be heated and excessive heat might cause an accident.
- You can improve the safety when watching TV by efficiently removing power voltage from TV antenna. Avoid disconnecting the antenna Isolator after installation.
- Exterior of antenna isolator:



• Connection method :

- Connect Plug 1 with a signal cable.
- Connect Plug 2 with ANT input end on the back of TV.



"Equipment connected to the protective earthing of the building installation through the mains connection or through other equipment with a connection to protective earthing - and to a cable distribution system using coaxial cable, may in some circumstances create a fire hazard.

Connection to a cable distribution system has therefore to be provided through a device providing electrical isolation below a certain frequency range (galvanic isolator, see EN 60728-11)"

When applying the RF Isolator, a slight loss of signal sensitivity can occur.

Parts and buttons

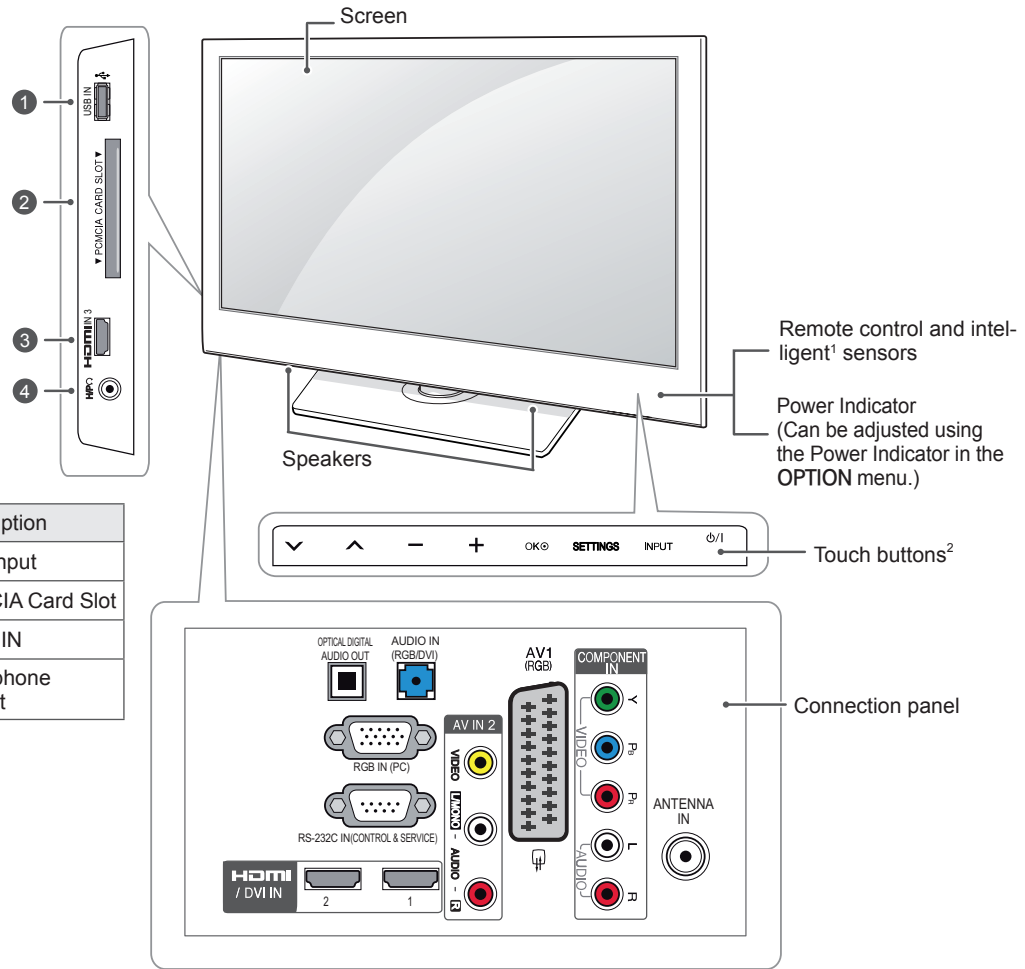
! NOTE

- The TV can be placed in standby mode in order to reduce the power consumption. And the TV should be turned off if it will not be watched for some time, as this will reduce energy consumption.
- The energy consumed during use can be significantly reduced if the level of brightness of the picture is reduced, and this will reduce the overall running cost.

! CAUTION

- Do not step on the glass stand or subject it to any impact. It may break, causing possible injury from fragments of glass, or the TV may fall.
- Do not drag the TV. The floor or the product may be damaged.
- Some models have a thin film attached on to the screen and this must not be removed.

ENGLISH



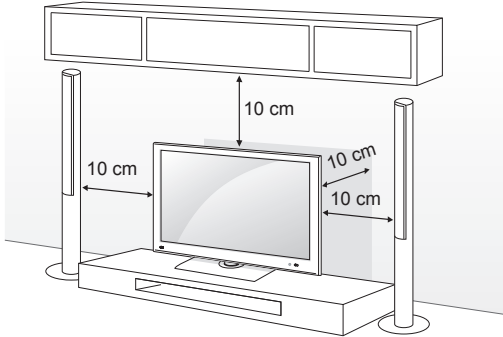
No.	Description
1	USB input
2	PCMCIA Card Slot
3	HDMI IN
4	Headphone Socket

Touch Button	Description
↓ ↑	Scrolls through the saved programmes.
- +	Adjusts the volume level.
OK ●	Selects the highlighted menu option or confirms an input.
SETTINGS	Accesses the main menu, or saves your input and exits the menus.
INPUT	Changes the input source.
⏻ / I	Turns the power on or off.

- 1 Intelligent sensor - Adjusts the image quality and brightness based on the surrounding environment.
- 2 All of the buttons are touch sensitive and can be operated through simple touch with your finger.

Mounting on a table

- Image shown may differ from your TV.
- 1 Lift and tilt the TV into its upright position on a table.
 - Leave a 10 cm (minimum) space from the wall for proper ventilation.



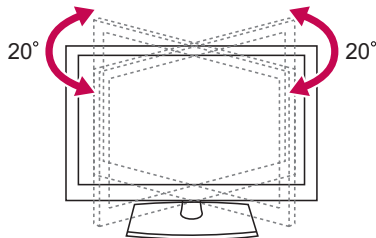
- 2 Connect the Power cord to a wall outlet.

CAUTION

- Do not place the TV near or on sources of heat, as this may result in fire or other damage.

Adjusting the angle of the TV to suit view

Swivel 20 degrees to the left or right and adjust the angle of the TV to suit your view.



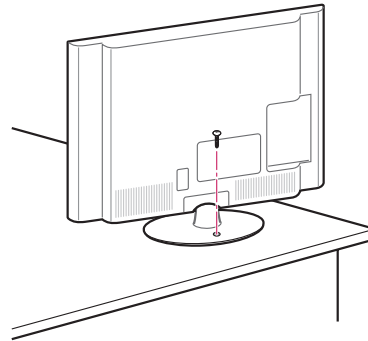
CAUTION

- When adjusting the angle of the product, watch out for your fingers.
 - »Personal injury may occur if hands or fingers are pinched. If the product is tilted too much, it may fall, causing damage or injury.

Securing the TV to a table

(Only 32/42CS56**)

Fix the TV to a table to prevent from tilting forward, damage, and potential injury. Mount the TV on a table, and then insert and tighten the supplied screw on the rear of the stand.

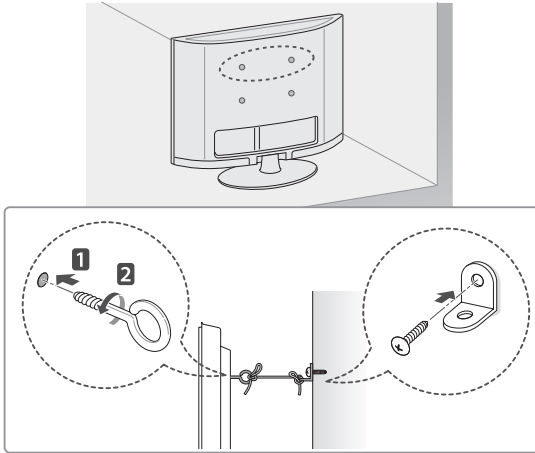


WARNING

- To prevent the TV from falling over, the TV should be securely attached to the floor/wall per installation instructions. Tipping, shaking, or rocking the TV may cause injury.

Securing the TV to a wall

(This feature is not available for all models.)



- 1 Insert and tighten the eye-bolts, or TV brackets and bolts on the back of the TV.
 - If there are bolts inserted at the eye-bolts position, remove the bolts first.
- 2 Mount the wall brackets with the bolts to the wall.

Match the location of the wall bracket and the eye-bolts on the rear of the TV.
- 3 Connect the eye-bolts and wall brackets tightly with a sturdy rope.

Make sure to keep the rope horizontal with the flat surface.

! CAUTION

- Make sure that children do not climb on or hang on the TV.

! NOTE

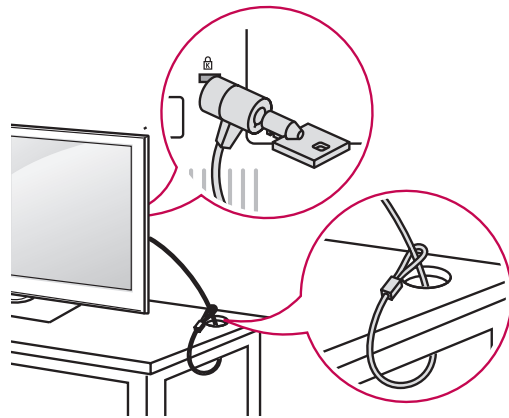
- Use a platform or cabinet that is strong and large enough to support the TV securely.
- Brackets, bolts and ropes are not provided. You can obtain additional accessories from your local dealer.

Using the Kensington security system

(Depending on model)

The Kensington security system connector is located at the rear of the TV. For more information of installation and using, refer to the manual provided with the Kensington security system or visit <http://www.kensington.com>.

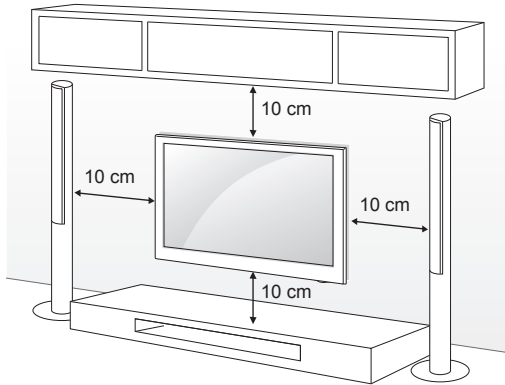
Connect the Kensington security system cable between the TV and a table.



Mounting on a wall

Attach a wall mount bracket at the rear of the TV carefully and install the wall mount bracket on a solid wall perpendicular to the floor. When you attach the TV to other building materials, please contact qualified personnel.

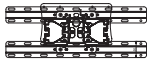
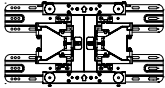
LG recommends that wall mounting be performed by a qualified professional installer.

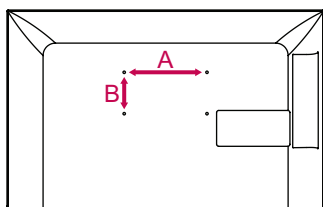


Make sure to use screws and wall mount bracket that meet the VESA standard. Standard dimensions for the wall mount kits are described in the following table.

Separate purchase(Wall Mounting Bracket)

Model	32CS56**	42/47CS56**
VESA (A x B)	200 x 100	200 x 200
Standard screw	M4	M6
Number of screws	4	4
Wall mount bracket	LSW100B	LSW200BX



CAUTION

- Disconnect the power first, and then move or install the TV. Otherwise electric shock may occur.
- If you install the TV on a ceiling or slanted wall, it may fall and result in injury. Use an authorized LG wall mount bracket and contact the local dealer or qualified personnel.
- Do not over tighten the screws as this may cause damage to the TV and void your warranty.
- Use the screws and wall mount bracket that meet the VESA standard. Any damages or injuries by misuse or using an improper accessory are not covered by the warranty.

NOTE

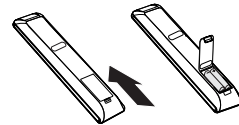
- Use the screws that are listed on the VESA standard screw specifications.
- The wall mount kit includes an installation manual and necessary parts.
- The length of screws may differ depending on the wall mount. Make sure to use the proper length.
- For more information, refer to the manual supplied with the wall mount bracket.

REMOTE CONTROL

The descriptions in this manual are based on the buttons on the remote control. Please read this manual carefully and use the TV correctly.

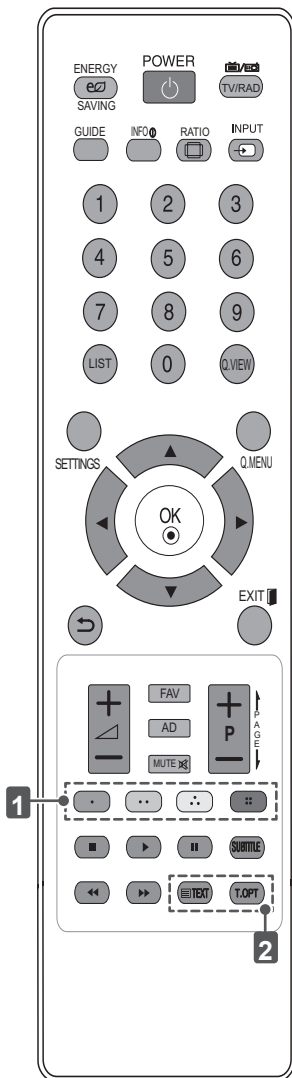
To replace batteries, open the battery cover, replace batteries (1.5 V AAA) matching ⊕ and ⊖ ends to the label inside the compartment, and close the battery cover. Be sure to point the remote control to the remote control sensor on the TV.

To remove the batteries, perform the installation actions in reverse.



CAUTION

- Do not mix old and new batteries, as this may damage the remote control.



ENERGY SAVING	Adjusts the brightness of the screen to reduce energy consumption.
TV / RAD	Selects Radio, TV and DTV programme.
GUIDE	Shows programme guide.
INFO	Views the information of the current programme and screen.
RATIO	Resizes an image.
INPUT	Changes the input source; Turns the TV on.
LIST	Accesses the saved programme list.
Q.VIEW	Returns to the previously viewed programme.
SETTINGS	Accesses the main menus.
Q.MENU	Accesses the Quick menus.
Navigation buttons (up/down/left/right)	Scrolls through menus or options.
OK	Moves to the previous or next screen.
	Returns to the previous level.
EXIT	Clears all on-screen displays and return to TV viewing.
FAV	Accesses your favourite programme list.
AD	Switches the Audio Description on or off.
← PAGE →	Moves to the previous or next screen.
1 Coloured buttons	These access special functions in some menus. (: Red, : Green, : Yellow, : Blue)
SUBTITLE	Recalls your preferred subtitle in digital mode.
Control buttons (, , , , ,)	Controls the MY MEDIA menus, or the SIMPLINK compatible devices (USB, SIMPLINK).
2 TELETEXT BUT-TONS	These buttons are used for teletext.

WATCHING TV

Connecting an antenna

Connect an antenna to watch TV while referring to the following.

To prevent damage do not connect to the mains outlet until all connections are made between the devices.

Connect the TV to a wall antenna socket with an RF cable (75 Ω).

NOTE

- For optimum picture quality, adjust antenna direction.
- In poor signal areas, to achieve better picture quality it may be necessary to install a signal amplifier to the antenna.
- If the image quality is poor with an antenna connected, aim the antenna to the correct direction.
- An antenna cable and converter are not supplied.

Turning the TV on for the first time

When you turn the TV on for the first time, the Initial setting screen appears. Select a language and customize the basic settings.

- 1 Connect the Power cord to a power outlet.
- 2 In Standby mode, press **⏻(POWER)** to turn the TV on.
The Initial setting screen appears if you turn the TV on for the first time.

NOTE

- You can also access **Factory Reset** by accessing **OPTION** in the main menus.

- 3 Follow the on-screen instructions to customize your TV settings according to your preferences.

Language	Selects a language to display.
↓	
Mode Setting	Selects Home Use for the home environment.
↓	
Country	Selects a country to display.
↓	
Time Zone	Selects the time zone and daylight saving. (When Russia is selected for Country)
↓	
Set Password	Set the password. (When France is selected for Country)
↓	
Auto Tuning	Scans and saves available programmes automatically.

NOTE

- For those countries without confirmed DTV broadcasting standards, some DTV features might not work, depending on the DTV broadcasting environment.
- When France is selected for Country, password is not '0', '0', '0', '0' but '1', '2', '3', '4'.

- 4 When the basic settings are complete, press **OK**.

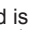
NOTE

- If you do not complete the Initial setting, it will appear whenever the TV turns on.
- Disconnect the Power cord from the power outlet when you do not use the TV for a long period of time.

- 5 To turn the TV off, press **⏻(POWER)**.

TROUBLESHOOTING

Problem	Resolution
Cannot control the TV with the remote control.	<ul style="list-style-type: none"> • Check the remote control sensor on the product and try again. • Check if there is any obstacle between the product and the remote control. • Check if the batteries are still working and properly installed (⊕ to ⊕, ⊖ to ⊖).
No image display and no sound is produced.	<ul style="list-style-type: none"> • Check if the product is turned on. • Check if the Power cord is connected to a wall outlet. • Check if there is a problem in the wall outlet by connecting other products.
Image appears slowly when the TV turns on.	<ul style="list-style-type: none"> • The image is muted during the product startup process. This is normal. If the image does not appear in a few minutes, unplug the TV for 30 seconds and try again. If the image still does not appear, contact the authorized service center in your local area.
Cannot connect external devices.	<ul style="list-style-type: none"> • Refer to the "Connection overview" and connect an external device.
The TV turns off suddenly.	<ul style="list-style-type: none"> • Check the power control settings. The power supply may be interrupted. • Check if the Auto sleep feature is activated in the Time settings. Refer to the "Sleep Timer". • If there is no signal while the TV is on, the TV will turn off automatically after 15 minutes of inactivity.

Problem	Resolution
No sound is produced while images are displaying.	<ul style="list-style-type: none"> • Press  + or - button. • Check if the sound is muted by pressing MUTE. • Scroll to other channels. There may a problem with the broadcast. • Check if the audio cables are connected properly.
One of the speakers produce noises or does not produce sound.	<ul style="list-style-type: none"> • A change in ambient humidity or temperature may result in an unusual noise when the product turns on or off. • There is no problem with your product.

Problem	Resolution
An image displays in black and white or the colour quality is poor.	<ul style="list-style-type: none"> • Adjust the colour setting in the PICTURE menu. • Keep a sufficient distance between this product and other electronic products. • Scroll to other channels. There may a problem with the broadcast.
Horizontal or vertical bars appears or images blur	<ul style="list-style-type: none"> • Check if there are local interferences such as an electrical appliance or power tool.
Lines or streaks appear on images	<ul style="list-style-type: none"> • Check the antenna or aim the antenna to the proper direction.
Afterimages (ghosts) appear when the product turns off	<ul style="list-style-type: none"> • Pixels may have been damaged from a fixed image displayed for a long time (image burn). Use a screen saver to prevent the pixel damage on the screen.
The power is on but the screen appears extremely dark.	<ul style="list-style-type: none"> • Adjust the brightness and contrast in the PICTURE menu.
"No Signal" appears on the screen.	<ul style="list-style-type: none"> • Check if the signal cable is connected between the TV and products properly. • Check the selected input source by pressing INPUT.
Black spots appear on the screen.	<ul style="list-style-type: none"> • Several pixels in red, green, white, or black may appear on the screen that can attribute to the characteristics of the panel. This is normal.
The display offset is wrong.	<ul style="list-style-type: none"> • Adjust the position setting in the PICTURE menu. • Check if the video card resolution and frequency are supported by the product. If the frequency is out of range, set to the recommended resolution using the display settings on the external device.
Thin lines appear in the background of the screen.	<ul style="list-style-type: none"> • Check the video cable connections.
Horizontal noises appear or characters blur.	<ul style="list-style-type: none"> • Adjust the Phase setting in the PICTURE menu. Refer to the "SCREEN".
The reception on some channels is poor	<ul style="list-style-type: none"> • Scroll to other channels. There may a problem with the broadcast. • The station signal may be weak. Aim the antenna to the proper direction. • Check if there is local interference such as an electrical appliance or power tool.

SPECIFICATIONS

ENGLISH

MODELS		32CS56**	42CS56**	47CS56**
		32CS560-ZD	42CS560-ZD	47CS560-ZD
Dimensions (W x H x D)	With stand(mm)	795.0 x 568.0 x 207.0	1019.0 x 698.0 x 265.0	1132.0 x 762.0 x 265.0
	Without stand(mm)	795.0 x 504.0 x 73.5	1019.0 x 631.0 x 76.5	1132.0 x 695.0 x 76.5
Weight	With stand(kg)	9.6	15.1	19.0
	Without stand(kg)	8.5	13.4	17.3
Power requirement		AC 100-240 V~ 50 / 60 Hz	AC 100-240 V~ 50 / 60 Hz	AC 100-240 V~ 50 / 60 Hz
Power Consumption		120 W	170 W	230 W

Product specifications shown above may be changed without prior notice due to upgrade of product functions.

For the power supply and power consumption, refer to the label attached to the product.

OPEN SOURCE SOFTWARE NOTICE

To obtain the source code under GPL, LGPL, MPL and other open source licenses, that is contained in this product, please visit <http://opensource.lge.com>.

In addition to the source code, all referred license terms, warranty disclaimers and copyright notices are available for download.

LG Electronics will also provide open source code to you on CD-ROM for a charge covering the cost of performing such distribution (such as the cost of media, shipping and handling) upon email request to opensource@lge.com. This offer is valid for three (3) years from the date on which you purchased the product.

ADDITIONAL INFORMATION OF THE MANUAL

Viewing the owner's manual

The owner's manual in a PDF file format is supplied on a CD. Install the Adobe Acrobat Reader to view the owner's manual on your PC.

- 1 Insert the supplied CD.
The web page appears automatically.
- 2 Click Owner's Manual on the web page.
- 3 View the owner's manual.

! NOTE

If the web page does not appear automatically, access My computer and then click LG and **index.htm** to view the owner's manual.



РУКОВОДСТВО ПОЛЬЗОВАТЕЛЯ LCD телевизор

Внимательно прочтите это руководство перед тем, как начать использовать устройство, и сохраните его на будущее.



BZ03

www.lg.com

- Прежде чем пользоваться устройством, внимательно прочитайте эти инструкции по технике безопасности.
- Иллюстрации в этом руководстве могут немного отличаться от вашего устройства и приведены здесь только для примера.



⚠ ОПАСНО

• Проиригнорировав такое предупреждение, можно получить серьезную травму. Возможен несчастный случай или смертельный исход.

⚠ ВНИМАНИЕ

• Проиригнорировав такое сообщение, можно получить легкую травму или повредить устройство.

МЕРЫ ПРЕДОСТОРОЖНОСТИ ПРИ УСТАНОВКЕ УСТРОЙСТВА

⚠ ОПАСНО



Держите устройство вдали от источников тепла, например, электронагревателей.

- Несоблюдение этого правила может привести к поражению электрическим током, пожару, неправильной работе или деформации устройства.



Не используйте устройство в местах повышенной влажности, например, в ванной комнате, или там, где оно может намочнуть.

- Иначе возможен пожар или поражение электрическим током.



При появлении запаха дыма, других запахов или необычных звуков выньте кабель питания из розетки и обратитесь в сервисный центр.

- Использование неисправного устройства может привести к поражению электрическим током или пожару.

⚠ ВНИМАНИЕ



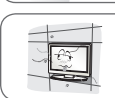
Устройство должно стоять на плоской и устойчивой поверхности, откуда оно не может упасть.

- Если устройство упадет, оно может быть повреждено, а вы можете получить травму.



Защищайте устройство от прямого солнечного света.

- Иначе возможно повреждение устройства.



Не ставьте устройство в отсеки стенок и книжных шкафов.

-Вентиляция обязательна.

МЕРЫ ЗАЩИТЫ ОТ ПОРАЖЕНИЯ ЭЛЕКТРИЧЕСКИМ ТОКОМ

⚠ ОПАСНО



Убедитесь в том, что розетка, в которую вставлен кабель питания, заземлена.

- Иначе возможно поражение электрическим током или травма.



Не прикасайтесь к вилке мокрыми руками. Если контакты мокрые или пыльные, насухо вытрите вилку или сотрите с нее пыль.

- Избыточная влага может привести к поражению электрическим током.



Во время грозы отсоединяйте кабель питания и сигнальный кабель.

- Иначе возможно поражение электрическим током или пожар.

⚠ ВНИМАНИЕ



Защищайте кабель питания от физического или механического повреждения. Нельзя перекручивать, сгибать, пережимать кабель, наступать на него и зажимать дверью.

Обращайте особое внимание на разъемы, стенные розетки и место, где кабель выходит из устройства.



Если устройство подключено к розетке переменного тока, оно не отключается от источника питания переменного тока даже при выключении с помощью переключателя питания.

МЕРЫ БЕЗОПАСНОСТИ ПРИ ПЕРЕМЕЩЕНИИ УСТРОЙСТВА

⚠ ОПАСНО

Убедитесь в том, что устройство выключено. Прежде чем перемещать устройство, отсоедините от него все кабели.

- Иначе возможно повреждение устройства или поражение электрическим током.



⚠ ВНИМАНИЕ

Во время перемещения не подвергайте устройство тряске и ударам.

- Иначе возможно повреждение монитора или поражение электрическим током.



При переноске держите устройство двумя руками экраном вперед.

- Если вы уроните устройство, то поврежденное устройство может стать причиной поражения электрическим током или пожара. Обратитесь в сервисный центр для ремонта.

МЕРЫ БЕЗОПАСНОСТИ ПРИ ЭКСПЛУАТАЦИИ УСТРОЙСТВА

⚠ ОПАСНО

Не следует самостоятельно разбирать, ремонтировать и модифицировать устройство.

- Возможно поражение электрическим током или пожар.

- Для проверки, калибровки или ремонта устройства обращайтесь в сервисный центр.



Чтобы уменьшить риск пожара или поражения электрическим током, защищайте устройство от дождя и влаги. На устройство не должны попадать капли жидкости или брызги. Нельзя также ставить на него предметы, наполненные жидкостью (например, вазы).



Устройство должно обслуживаться только специалистами. Обслуживание требуется, когда устройство было повреждено каким-либо образом (поврежден кабель питания или разъем, пролита жидкость, внутрь попал посторонний предмет, устройство пострадало от дождя или влаги, устройство не работает должным образом, или его уронили).



ВАЖНАЯ ИНФОРМАЦИЯ ПО ПРЕДОТВРАЩЕНИЮ «ВЫГОРАНИЯ» ЭКРАНА ТЕЛЕВИЗОРА В РЕЗУЛЬТАТЕ ОТОБРАЖЕНИЯ ИЗОБРАЖЕНИЙ

- Если в течение продолжительного периода времени на экране отображается статическое изображение (логотипы, экранные меню, видеоигры, экраны компьютера и страницы телетекста), на экране может остаться его «отпечаток». Это явление называется «выгоранием» экрана. Гарантия производителя не распространяется на экраны с признаками «выгорания».

- Чтобы предотвратить «выгорание» экрана, не допускайте длительного отображения статического изображения на экране телевизора (2 или более часов для ЖК-экранов, 1 или более часов для плазменных экранов).

- «Выгорание» экрана может также происходить в боковых областях экрана телевизора, если формат 4:3 используется в течение продолжительного периода времени.

**ПРИМЕЧАНИЕ**

- Приведенное изображение может отличаться от вашего телевизора.
- Экранное меню вашего телевизора может незначительно отличаться от изображенного на рисунке.
- Доступные меню и параметры могут отличаться в зависимости от используемого источника входа или модели устройства.
- В дальнейшем этот телевизор может получить новые функции.
- Для снижения энергопотребления переключайте телевизор в режим ожидания. Если какое-то время телевизор не смотрят, следует выключить его, чтобы снизить потребление энергии.
- Энергопотребление во время использования может быть значительно снижено путем уменьшения яркости изображения. При этом будут снижены и эксплуатационные расходы.

ПРОЦЕДУРА УСТАНОВКИ

- 1 Откройте упаковку и убедитесь в наличии полного комплекта аксессуаров.
- 2 Подсоедините подставку к телевизору.
- 3 Подключите внешнее устройство к телевизору.

СБОРКА И ПОДГОТОВКА К РАБОТЕ

Распаковка

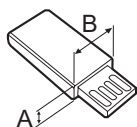
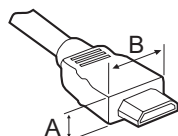
Комплект должен включать следующие элементы. В случае отсутствия аксессуаров обратитесь в магазин, в котором был куплен этот товар. Рисунки в инструкции могут отличаться от данного устройства и его элементов.

**ВНИМАНИЕ!**

- Для обеспечения безопасности и продолжительного срока службы устройства не используйте детали, не одобренные изготовителем.
- В противном случае при повреждении или получении травм гарантия на данное устройство не распространяется.

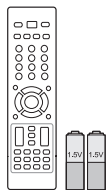
**ПРИМЕЧАНИЕ**

- Комплектация устройства может отличаться в зависимости от модели.
- Спецификации устройства или содержание данного руководства может изменяться без предварительного уведомления ввиду модернизации функций устройства.
- Для обеспечения оптимального соединения кабеля HDMI и USB-устройства должны иметь корпус разъема толщиной не более 10 мм и шириной не более 18 мм. Используйте удлинитель, который поддерживает USB 2.0, если кабель USB или флэш-накопитель USB не вставляется в порт USB на вашем телевизоре.



*A ≤ 10 mm

*B ≤ 18 mm



Пульт ДУ и батареи (AAA)



Руководство пользователя



Салфетка для протирки
(в зависимости от модели)
Воспользуйтесь ею для чистки корпуса.



Винты для сборки 8EA, M4 x 20



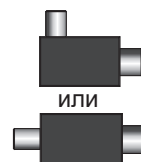
Зафиксируйте с помощью винтов
(только для 32/42CS56**)



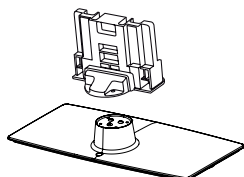
Шнур питания



Защитная крышка



Изолятор¹
(в зависимости от модели)

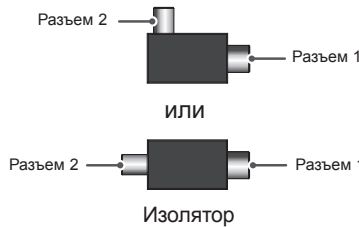


Стойка / Основание

1 Руководство по установке антенного изолятора

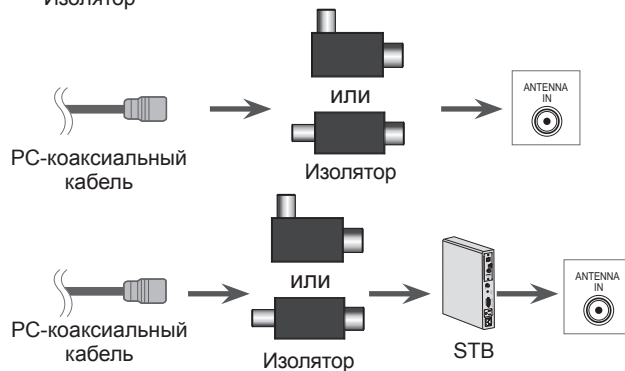
- Используется для установки телевизора в месте, где между GND питания и GND антенного сигнала есть разница напряжения.
 - Если между GND питания и GND антенного сигнала существует разница напряжения, антенный контакт может нагреваться, что может привести к аварии.
- Безопасность эксплуатации телевизора можно повысить, сняв напряжение с телевизионной антенны. Не отсоединяйте антенный изолятор после его установки.

- Внешний вид антенного изолятора:



- Способ подключения :

- Подключите к разъему 1 сигнальный кабель.
- Соедините разъем 2 с входом ANT на задней панели телевизора.



“Оборудование, подключенное к защитному заземлению здания через электропроводку или другое оборудование, соединенное с защитным заземлением - и к системе кабельного телевидения с помощью коаксиального кабеля, при определенных обстоятельствах может создать опасность пожара.

Подключение к системе кабельного телевидения, таким образом, должно осуществляться через устройство с гальванической развязкой ниже определенной полосы частот (гальванический разъединитель, см. EN 60728-11)”

При применении PC-изолятора может происходить небольшое снижение мощности сигнала.

Составляющие и кнопки

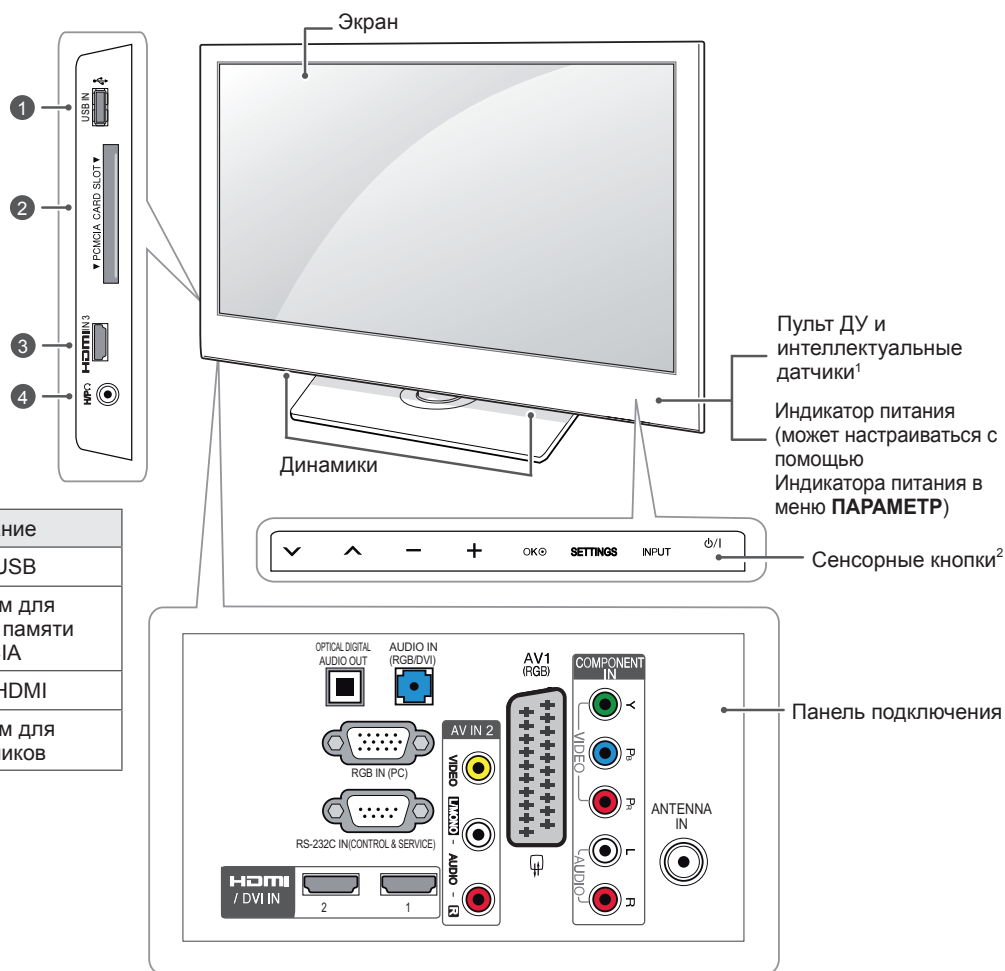
! ПРИМЕЧАНИЕ

- Телевизор можно переключить в режим ожидания для снижения энергопотребления. Если какое-то время телевизор не смотрят, следует выключить его, чтобы снизить потребление энергии.
- Энергопотребление во время использования может быть значительно снижено путем уменьшения яркости изображения. При этом будут снижены и эксплуатационные расходы.

! ПРЕДУПРЕЖДЕНИЕ

- Не наступайте на стеклянную подставку и не подвергайте ее воздействию нагрузки. Она может разбиться, осколки стекла могут причинить травму, телевизор может упасть.
- Не двигайте телевизор. Это может повредить пол или изделие.
- На экране некоторых моделей может быть тонкая пленка; не снимайте ее.

Русский



№	Описание
1	Вход USB
2	Разъем для карты памяти PCMCIA
3	Вход HDMI
4	Разъем для наушников

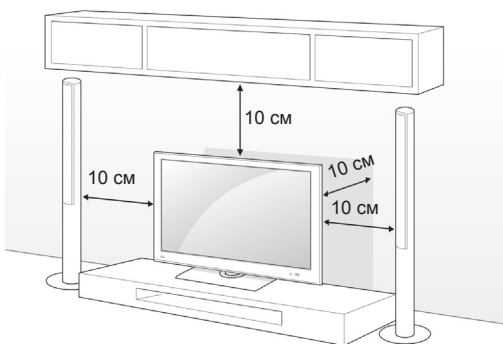
Сенсорные кнопки	Описание
↓ ↑	Прокрутка сохраненных программ
- +	Настройка громкости
OK ●	Выбор подсвеченного пункта меню или подтверждение ввода
SETTINGS	Открывает главное меню или сохраняет вход и выходит из меню
INPUT	Меняет источник ввода
⏻ / I	Включает или выключает устройство

1 Интеллектуальный датчик: настройка качества изображения и яркости в зависимости от условий освещения.

2 Все кнопки сенсорные и реагируют на простое касание пальцем.

Установка на столе

- Приведенное изображение может отличаться от вашего телевизора.
- 1 Поднимите и прямо установите телевизор на столе.
 - Оставьте 10 см (минимум) зазор от стены для достаточной вентиляции.



- 2 Подключите шнур питания к розетке.

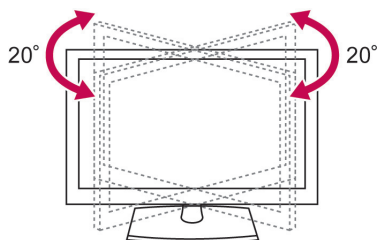


ПРЕДУПРЕЖДЕНИЕ

- Не размещать телевизор вблизи источников тепла, т.к. это может привести к пожару.

Регулировка угла обзора телевизора

Поверните телевизор на 20 градусов влево или вправо, чтобы улучшить видимость с места просмотра.



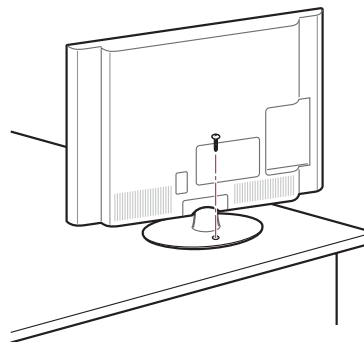
ПРЕДУПРЕЖДЕНИЕ

- При регулировке угла обзора устройства будьте осторожны, чтобы не прищемить пальцы.
 - » Не допускайте защемления рук или пальцев, т.к. это может привести к травме. При слишком большом наклоне телевизор может упасть, что приведет к его повреждению или травме.

Закрепление телевизора на столе

(только для 32/42CS56**)

Закрепите телевизор на столе для предотвращения наклона вперед, повреждения и потенциального травмирования. Установите телевизор на столе, а затем вставьте и затяните поставляемый винт на задней части подставки.

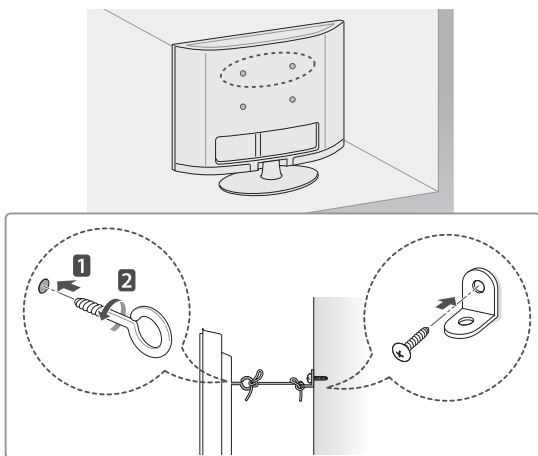


ВНИМАНИЕ

- Для предотвращения опрокидывания телевизор должен быть прикреплен к столу или стене согласно инструкциям по монтажу. Опрокидывание, тряска или раскачивание телевизора может привести к травме.

Закрепление телевизора на стене

(этот компонент доступен не для всех моделей)



- 1 Вставьте и затяните винты с ушком или винты для кронштейнов ТВ на задней панели телевизора.
- Если в местах для винтов с ушком уже установлены другие винты, то сначала вывинтите их.
- 2 Закрепите кронштейны на стене с помощью винтов.
Согласуйте расположение кронштейна и болтов с ушком на задней панели телевизора.
- 3 Крепким шнуром надежно привяжите винты с ушком к кронштейнам.
Убедитесь, что веревка располагается горизонтально.

**ПРЕДУПРЕЖДЕНИЕ**

- Следите, чтобы дети не забирались и не висели на телевизоре.

**ПРИМЕЧАНИЕ**

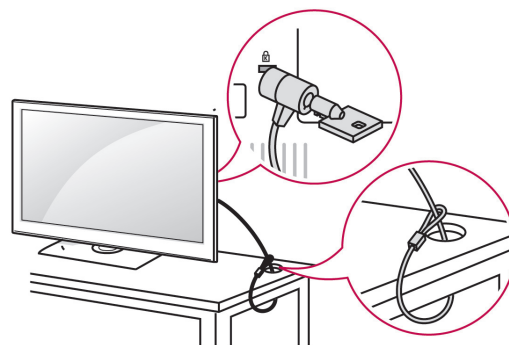
- Используйте держатель или шкаф достаточно большой и прочный, чтобы выдержать вес устройства.
- Кронштейны, винты и шнуры не входят в комплект поставки. Дополнительные аксессуары можно приобрести у местного дилера.

Использование системы безопасности Kensington

(в зависимости от модели)

Разъем системы безопасности Kensington находится на задней крышке телевизора. Дополнительная информация об установке и использовании приведена в руководстве к системе безопасности Kensington или на сайте <http://www.kensington.com>.

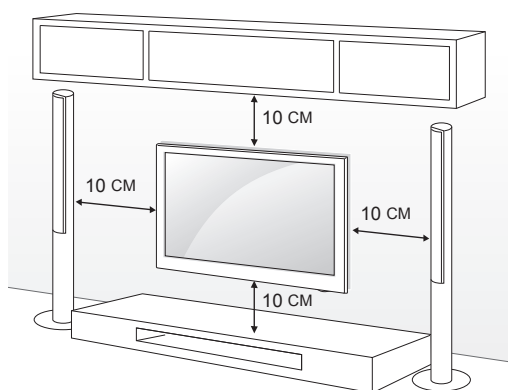
Продевание кабеля системы безопасности Kensington через телевизор и отверстие в столе.



Крепление на стене


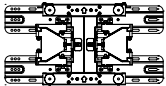
Аккуратно присоедините настенный кронштейн к задней панели телевизора и закрепите настенный кронштейн на прочную стену перпендикулярно полу. Для монтажа телевизора на стены из других строительных материалов, обращайтесь к квалифицированным специалистам.

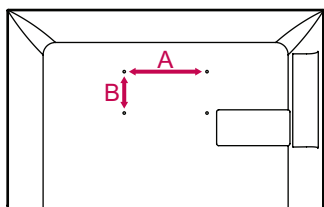
Компания LG рекомендует вызывать квалифицированного мастера для крепления телевизора к стене.



Убедитесь, что винты и настенные крепления отвечают стандартам VESA. В следующей таблице приведены стандартные габариты для комплектов настенного крепления.

Принадлежности, приобретаемые отдельно
(Кронштейн для настенного крепления)

Модель	32CS56**	42/47CS56**
VESA (A x B)	200 x 100	200 x 200
Стандартный винт	M4	M6
Количество винтов	4	4
Настенный кронштейн	LSW100B 	LSW200BX 



! ПРЕДУПРЕЖДЕНИЕ

- Перед перемещением и установкой телевизора отключите шнур электропитания. Несоблюдение этого правила может привести к поражению электрическим током.
- Установка телевизора на потолок или наклонную стену может привести к его падению и серьезной травме. Следует использовать разрешенный LG кронштейн для настенного крепления и обратиться к местному поставщику или квалифицированному специалисту.
- Не заворачивайте винты с избыточной силой, т.к. это может привести к повреждению телевизора и потере гарантии.
- Следует использовать винты и настенные крепления, отвечающие стандарту VESA. Гарантия не распространяется на любые повреждения или травмы в результате неправильного использования или использования неправильных аксессуаров.

! ПРИМЕЧАНИЕ

- Следует использовать винты, указанные в спецификации для винтов стандарта VESA.
- Комплект кронштейна для настенного крепления снабжается инструкцией по монтажу и необходимыми комплектующими.
- Длина винтов может зависеть от кронштейна для настенного крепления. Убедитесь, что винты правильной длины.
- Дополнительная информация приведена в руководстве к кронштейну для настенного крепления.

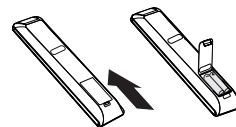
ПУЛЬТ ДИСТАНЦИОННОГО УПРАВЛЕНИЯ

Описания в данном руководстве относятся к кнопкам на пульте дистанционного управления.

Внимательно прочтите настоящее руководство и правильно используйте телевизор.

Для замены батарей откройте крышку батарейного отсека, замените батареи (1,5 V AAA), соблюдая ⊕ и ⊖ на наклейке в отсеке, и закройте крышку. Направляйте пульт дистанционного управления на телевизор.

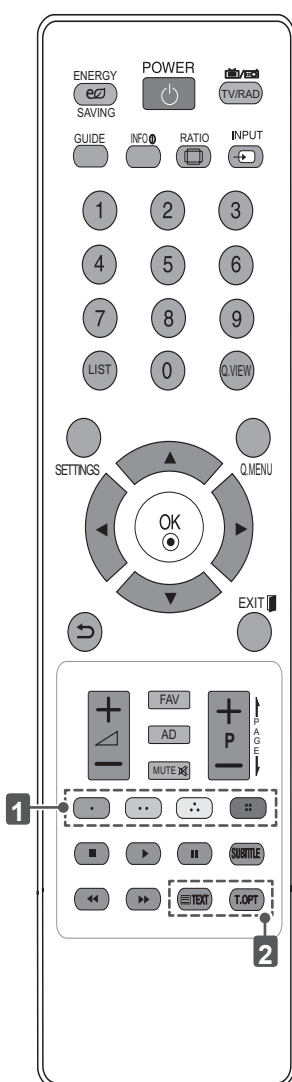
Чтобы снять аккумуляторы, выполните указания по установке аккумуляторов в обратном порядке.



Русский

! ПРЕДУПРЕЖДЕНИЕ

- Не используйте старые и новые батареи вместе, это может вызвать повреждение пульта ДУ.



ENERGY SAVING	Регулировка яркости экрана для снижения энергопотребления.
TV / RAD	Выбор радио-, телевизионного канала или канала DTV.
GUIDE	Показ программы передач.
INFO	Отображение информации о текущей программе и экране.
RATIO	Изменение размеров изображения.
INPUT	Изменение источника входного сигнала.
LIST	Доступ к списку сохраненных программ.
Q.VIEW	Возврат к ранее просматриваемой программе.
SETTINGS	Доступ к главному меню.
Q.MENU	Доступ к быстрому меню.
Кнопки навигации (вверх/вниз/ влево/ вправо)	Прокрутка меню или параметров.
OK	Выбор меню или параметров и подтверждение ввода.
	Возврат на предыдущий уровень.
EXIT	Закрытие всех окон просмотра на экране и возврат к просмотру ТВ.
FAV	Доступ к списку избранных каналов.
AD	Включение или выключение описания аудио.
PAGE	Переход к предыдущему или следующему экрану.
1 Цветные кнопки	Доступ к специальным функциям некоторых меню. (: Красная, : Зеленая, : Желтая, : Синяя)
SUBTITLE	Повторное отображение наиболее часто используемых в цифровом режиме субтитров.
Кнопки управления (, , , ,	Управление в меню «МОИ МУЛЬТИМЕДИА» или меню SIMPLINK-совместимых устройств (USB, SIMPLINK).
2 Кнопки ТЕЛЕТЕКСТА	Эти кнопки используются для работы с телетекстом.

ПРОСМОТР ПРОГРАММЫ

Подсоединение антенны

Далее приведена инструкция по подсоединению антенны для просмотра телеканалов.

Ни в коем случае не подключайте телевизор к сети, если не закончили подсоединять к нему оборудование. Это может привести к поломке телевизора.

Подключите ВЧ-кабель, подсоединенный к телевизору, к настенной антенной розетке (75 Ω).

! ПРИМЕЧАНИЕ

- Выберите оптимальное направление антенны. Это повысит качество картинки.
- Для получения лучшего качества изображения в зонах с низким уровнем сигнала, может понадобиться антенна или усилитель сигнала.
- Если после подключения антенны качество изображения плохое, направьте антенну в правильном направлении.
- Антенный кабель и преобразователь в комплект поставки не входят.

Включение телевизора в первый раз

При первом включении телевизора появляется экран Заводских настроек. Выберите язык и произведите основные настройки.

- 1 Подключите шнур питания к розетке.
- 2 Если телевизор находится в режиме ожидания, нажмите кнопку **⏻(ПИТАНИЕ)**, чтобы включить его.

Экран заводских настроек отображается при первом включении телевизора.

! ПРИМЕЧАНИЕ

- Доступ к **заводским настройкам** можно получить с помощью **ОПЦИИ** в главном меню.

- 3 Следуя указаниям на экране, произведите настройки телевизора согласно своим предпочтениям.

Язык	Выбор языка отображения.
↓	
Настройка режима	Выбор Домашний просмотр для просмотра в домашних условиях.
↓	
Страна	Выбор страны. (в зависимости от модели)
↓	
Часовой пояс	Выбор часового пояса и функции перехода на летнее время.
↓	
Устан. пароль	Установите пароль. (при выборе из списка стран Франции)
↓	
Автопоиск	Автоматическое сканирование и сохранение доступных программ.

! ПРИМЕЧАНИЕ

- Для стран с неподтвержденными стандартами цифрового телевидения вещания некоторые функции цифрового телевидения, в зависимости от среды вещания, могут не работать.
- Если в качестве страны выбрана Франция, то пароль меняется с 0, 0, 0, 0 на 1, 2, 3, 4.

- 4 После завершения основных настроек нажмите **ОК**.

! ПРИМЕЧАНИЕ

- Если начальная настройка не завершена, соответствующее уведомление будет отображаться при каждом включении телевизора.
- Если не планируется использовать телевизор в течение длительного периода времени, отсоедините шнур питания от розетки электросети.

- 5 Чтобы выключить телевизор, нажмите **⏻(ПИТАНИЕ)**.

УСТРАНЕНИЕ НЕИСПРАВНОСТЕЙ

Проблема	Разрешение
Невозможно управлять телевизором с помощью пульта дистанционного управления.	<ul style="list-style-type: none"> Проверьте датчик дистанционного управления на продукте и повторите попытку. Убедитесь в отсутствии препятствий между продуктом и пультом дистанционного управления. Убедитесь, что батареи находятся в рабочем состоянии и правильно установлены (⊕ к ⊕, ⊖ к ⊖).
Отсутствуют изображение и звук.	<ul style="list-style-type: none"> Убедитесь, что устройство включено. Убедитесь, что шнур питания подключен к розетке. Убедитесь, что розетка работает, подключив к ней другие продукты.
Изображение появляется не сразу после включения телевизора.	<ul style="list-style-type: none"> При включении телевизора изображение появляется не сразу. Это нормальное явление. Если изображение не появится через несколько минут, отключите телевизор от розетки на 30 секунд и повторите попытку. Если изображение так и не появилось, обратитесь в местный авторизованный сервисный центр.
Не удалось подключить внешнее устройство.	<ul style="list-style-type: none"> Обратитесь к разделу Обзор подключений и подключите внешнее устройство.
Телевизор неожиданно выключается.	<ul style="list-style-type: none"> Проверьте параметры управления энергопотреблением. Возможно, произошел сбой в сети электропитания. Убедитесь, что в меню «Время» включена функция Auto sleep. Обратитесь к разделу Таймер сна. Если при включении телевизора отсутствует сигнал, телевизор выключится автоматически через 15 минут бездействия.

Проблема	Разрешение
Во время показа изображения отсутствует звук.	<ul style="list-style-type: none"> Нажмите кнопку \triangle + или - . Убедитесь, что не включен режим БЕЗ ЗВУКА. Переключите канал. Возможно, проблема связана с каналом. Убедитесь, что аудиокабели правильно подключены.
Из одного из динамиков исходит шум или динамик не работает.	<ul style="list-style-type: none"> Изменение влажности или температуры окружающей среды может привести к появлению необычного шума при включении или выключении устройства. Продукт работает исправно.

Проблема	Разрешение
Отображается черно-белое изображение или низкое качество цветопередачи.	<ul style="list-style-type: none"> Настройте параметры в меню КАРТИНКА Обеспечьте достаточное расстояние между устройством и другими электронными устройствами. Переключите канал. Возможно, проблема связана с каналом.
На экране появляются горизонтальные или вертикальные полосы, или изображение размыто	<ul style="list-style-type: none"> Убедитесь в отсутствии источников помех, например, других электрических устройств или электроинструментов.
Линии или штрихи на изображении	<ul style="list-style-type: none"> Убедитесь, что антенна направлена в необходимом направлении, или направьте антенну.
После выключения устройства на экране остается остаточное изображение (призрачное).	<ul style="list-style-type: none"> Возможно, что пиксели были повреждены в результате длительного отображения неподвижного изображения («прогорание» изображения). Чтобы избежать повреждения пикселей, используйте экранную заставку.
Питание включено, но отображается очень темное изображение.	<ul style="list-style-type: none"> Отрегулируйте яркость и контрастность в меню КАРТИНКА.
На экране отображается надпись «Нет сигнала».	<ul style="list-style-type: none"> Убедитесь, что другие устройства надежно подключены к телевизору с помощью сигнального кабеля. Проверьте источник входного сигнала, нажав кнопку ВХОД.
На экране отобразятся черные точки.	<ul style="list-style-type: none"> Несколько пикселей отображаются красным, зеленым, белым или черным цветом, что может являться характеристикой экрана. Это нормальное явление.
Нарушено смещение экрана.	<ul style="list-style-type: none"> Настройте параметры позиции в меню КАРТИНКА. Убедитесь, что продукт поддерживает разрешение и частоту кадров видеоплаты. Если установлена неподдерживаемая частота, в настройках отображения внешнего устройства выберите рекомендуемое разрешение.
На фоне отображаются тонкие линии.	<ul style="list-style-type: none"> Убедитесь, что видеокابели подключены.
Видны горизонтальные искажения или символы размыты.	<ul style="list-style-type: none"> Настройте параметры фазы в меню КАРТИНКА. Обратитесь к разделу ЭКРАН
Низкое качество изображения некоторых каналов.	<ul style="list-style-type: none"> Переключите канал. Возможно, проблема связана с каналом. Сигнал станции слишком слабый. Направьте антенну в правильном направлении. Убедитесь в отсутствии источников помех, например, других электрических устройств или электроинструментов.

ТЕХНИЧЕСКИЕ ХАРАКТЕРИСТИКИ

МОДЕЛИ		32CS56**	42CS56**	47CS56**
		32CS560-ZD	42CS560-ZD	47CS560-ZD
Размеры (Ш x В x Г)	С подставкой (мм)	795,0 x 568,0 x 207,0	1019,0 x 698,0 x 265,0	1132,0 x 762,0 x 265,0
	Без подставки (мм)	795,0 x 504,0 x 73,5	1019,0 x 631,0 x 76,5	1132,0 x 695,0 x 76,5
Вес	С подставкой (кг)	9,6	15,1	19,0
	Без подставки (кг)	8,5	13,4	17,3
Требования к электропитанию		АС 100-240 В, 50/60 Гц	АС 100-240 В, 50/60 Гц	АС 100-240 В, 50/60 Гц
Потребляемая мощность		120 W	170 W	230 W

Русский

Указанные выше характеристики продуктов могут быть изменены без предварительного уведомления в связи с модернизацией функций устройства.

Данные о параметрах электрического питания и потребления см. на табличке, прикрепленной к изделию.

УВЕДОМЛЕНИЕ О ПРОГРАММНОМ ОБЕСПЕЧЕНИИ С ОТКРЫТЫМ ИСХОДНЫМ КОДОМ

Для получения исходного кода по условиям лицензий GPL, LGPL, MPL и других лицензий с открытым исходным кодом, который содержится в данном продукте, посетите веб-сайт: <http://opensource.lge.com>.

Кроме исходного кода, для загрузки доступны все соответствующие условия лицензии, отказ от гарантий и уведомления об авторских правах.

LG Electronics также предоставляет исходный код на компакт-диске за плату, которая покрывает стоимость выполнения этой рассылки (в частности, стоимость медианосителя, пересылки и обработки) посредством запросов в LG Electronics по адресу: opensource@lge.com. Данное предложение действительно в течение трех (3) лет с даты приобретения изделия.

ДОПОЛНИТЕЛЬНАЯ ИНФОРМАЦИЯ В РУКОВОДСТВЕ

Просмотр руководства пользователя

Руководство пользователя поставляется в формате PDF на CD-диске. Установите программу Adobe Acrobat Reader, чтобы просматривать руководство пользователя на ПК.

- 1 Вставьте прилагаемый CD-диск.
На экране автоматически появится веб-страница.
- 2 Щелкните Owner's Manual (Руководство пользователя) на веб-странице.
- 3 Ознакомьтесь с руководством пользователя.

! ПРИМЕЧАНИЕ

Если веб-страница не появляется автоматически, откройте окно Мой компьютер и затем щелкните LG и index.htm, чтобы просмотреть руководство пользователя.



ПАЙДАЛАНУШЫ НҰСҚАУЛЫҒЫ СК дисплейлі теледидар

Құрылғыны қолданар алдында нұсқаулықты мұқият оқып, анықтамалық құрал ретінде қолдану үшін сақтап қойыңыз.

www.lg.com

- Құрылғыны пайдаланар алдында осы қауіпсіздік ережелерін зер салып оқып шығуыңызды өтінеміз.
- Бұл нұсқаулықтағы суреттер сіз сатып алған құрылғыдан сәл басқаша болуы мүмкін, себебі, олар тек нұсқаулар түсінікті болу үшін көмек ретінде берілген.



⚠ ЕСКЕРТУ

• Егер сіз ескерту хабарын назарға алмасаңыз, қатты жарақат алуыңыз мүмкін немесе тіпті жазатайым оқиға немесе өлімге соқтыру қаупі бар.

⚠ АБАЙ БОЛЫҢЫЗ

• Егер сіз ескерту хабарын назарға алмасаңыз, сіз жеңіл жарақат алуыңыз мүмкін немесе құрылғыға зақым келуі мүмкін.

ҚҰРЫЛҒЫНЫ ОРНАТУ КЕЗІНДЕГІ САҚТЫҚ ШАРАЛАРЫ

⚠ ЕСКЕРТУ

Электр жылытқыштары сияқты жылу көздерінен алыс ұстаңыз.
- Әйтпесе электр тоғы соғуы, өрт шығуы, құрылғы дұрыс жұмыс істемеуі немесе пішіні бүлінуі мүмкін.

Құрылғы дымқыл тартуы мүмкін ванна бөлмесі сияқты қандай да бір ылғалды жерде оны пайдаланбаңыз.
- Әйтпесе бұл өрт шығуына немесе электр тоғы соғуына себеп болуы мүмкін.

Егер сіз монитордан түтін иісін немесе басқа иіс сезсеңіз немесе бетен дыбыс естисеңіз, қуат көзіне қосу сымын ажыратыңыз да, қызмет көрсету орталығына хабарласыңыз.
- Егер сіз тиісті сақтық шараларын қабылдамастан пайдалана берсеңіз, электр тоғы соғуы немесе өрт шығуы мүмкін.

⚠ АБАЙ БОЛЫҢЫЗ

Егер сіз құрылғыны жерге құлатып алсаңыз немесе оның қорабы сынса, оны өшіріп, қуат көзіне қосу сымын ажыратыңыз.
- Егер сіз тиісті сақтық шараларын қабылдамастан пайдалана берсеңіз, электр тоғы соғуы немесе өрт шығуы мүмкін. қызмет көрсету орталығына хабарласыңыз.

Құрылғыны тура түскен күн сәулесінен аулақ ұстаңыз.
- Құрылғыға зақым келуі мүмкін.

Осы құрылғыны кітап шкафы немесе сөре сияқты құрастырмалы қондырғының ішіне қоймаңыз.
- Желдетілу талап етіледі.

ЭЛЕКТР ҚУАТЫНА ҚАТЫСТЫ САҚТЫҚ ШАРАЛАРЫ

⚠ ЕСКЕРТУ

Қуат көзі кабелін жерге қосылған ток көзіне жалғауды ұмытпаңыз.
- Олай болмаса сізді электр соғуы немесе жарақат алуыңыз мүмкін.

Қуат көзі ашасын дымқыл қолмен ұстамаңыз. Сонымен бірге, егер аша істікшесі дымқыл немесе шаң басқан болса, қуат көзі ашасын Әбден құрғатыңыз немесе шаңын сүртіңіз.
- Олай етпесеңіз, артық ылғалдың салдарынан сізді электр тоғы соғуы мүмкін.

Дауыл соққан немесе найзағай жарқыраған кезде қуат көзі сымын немесе сигнал кабелін ажыратып қойыңыз.
- Олай болмаса сізді электр соғуы немесе өрт шығуы мүмкін.

⚠ АБАЙ БОЛЫҢЫЗ

Қуат көзіне қосу сымын оратылып, бұратылып, қысылып, есікке қыстырылып немесе үстінен басылып қалу сияқты физикалық немесе механикалық зақымнан сақтаңыз. Әсіресе ашаларға, қабырғалық розеткаларға және сым электр аспабынан шығатын жер ерекше назар аударыңыз.

Бұл құрылғы айнымалы ток қабыға шығысына қосулы кезде құрылғыны ҚОСУ арқылы өшіретін болсаңыз да, ол айнымалы ток қорегінен ажыратылмайды.

ҚҰРЫЛҒЫНЫ ЖЫЛЖЫТҚАН КЕЗДЕГІ САҚТЫҚ ШАРАЛАРЫ

⚠ ЕСКЕРТУ

Құрылғыны токтан ажыратуды ұмытпаңыз. Құрылғыны жылжытплас бұрын барлық сымдарды шешіп тастауды ұмытпаңыз.
- Әйтпесе сізді электр тоғы соғуы немесе өнімге зақым келуі мүмкін.

⚠ АБАЙ БОЛЫҢЫЗ

Құрылғыны жылжытқан кезде оны соғып алмаңыз.
- Әйтпесе сізді электр тоғы соғуы немесе өнімге зақым келуі мүмкін.
Панелін алдыңғы жаққа қаратуды ұмытпаңыз және оны жылжытқанда екі қолмен ұстаңыз.
- Егер сіз құрылғыны құлатып алсаңыз, зақымданған құрылғы электр тоғы соғуына немесе өрт шығуына себеп болуы мүмкін. Жөндеу үшін қызмет көрсету орталығына хабарласыңыз.

ҚҰРЫЛҒЫНЫ ПАЙДАЛАНУ КЕЗІНДЕГІ САҚТЫҚ ШАРАЛАРЫ

⚠ ЕСКЕРТУ

Құрылғыны өз бетіңізше бөлшектемеңіз, жөндемеңіз және өзгертпеңіз.
- Әйткені өрт шығуы немесе электр тоғы соғуы мүмкін.
- Тексеру, дәлдеу немесе жөндеу үшін қызмет көрсету орталығына хабарласыңыз.

Өрт шығу не электр тоғы соғу қатерін азайту үшін осы құрылғыға жаңбыр не ылғал тигізбеңіз.
Бұл аппаратқа ештеңенің тамшылауына не шашырауына жол бермеу керек және аппараттың үстіне ваза сияқты ішінде сұйықтық бар заттар қоюға болмайды.

Кез келген ағымдық жөндеуге байланысты білікті қызмет көрсетуші мамандарға жүгініңіз. Ағымдық жөндеу құрылғыға кез келген түрде зақым келген жағдайда, мысалы, қуат көзіне қосу сымы немесе ашасы зақымданғанда, құрылғының ішіне сұйық зат ағып кетсе немесе қатты заттар түсіп кеткенде, құрылғыға жаңбыр немесе ылғал тисе, ол дұрыс жұмыс істемесе немесе құлап кеткен жағдайда қажет болады.

ТЕЛЕДИДАР БЕЙНЕБЕТІНДЕГІ “БЕЙНЕНІҢ КҮЙІП КЕТУІ/КҮЙІП КЕТУДІҢ” АЛДЫН АЛУҒА ҚАЖЕТТІ МАҢЫЗДЫ АПАРАТ

- Егер орнатылған бейне (мысалы, логотип, бейнебет мәзірлері, бейне ойын, компьютер дисплейі және телемәтін беттері) теледидарда ұзақ уақыт бойы көрсетілсе, оның ізі бейнебетте уақытша қалып қоюы мүмкін. Бұл кубылыс “бейненің күйіп кетуі” немесе “күйіп кету” деген атаумен белгілі. Бейненің күйіп кетуіне дайындаушы кепілдігі берілмейді.

- Бейненің күйіп кетуін алдын алу үшін орнатылған бейненің теледидар бейнебетіне шамадан тыс уақыт көрсетіліп тұруына жол бермеңіз (СКД үшін 2 немесе одан көп сағат, плазмалық теледидар үшін 1 немесе одан да көп сағат).

- Егер 4:3 бейне пішімі теңшелімін ұзақ уақыт бойы қолданатын болсаңыз, бейненің күйі теледидардың кең бейнебеттік пішім аумағында да пайда болуы мүмкін.

! ЕСКЕРТПЕ

- Көрсетілген бейне теледидарда көрсетілгеннен өзгеше болуы мүмкін.
- Теледидардың экрандық дисплейі нұсқаулықта көрсетілгеннен сәл өзгешелеу болуы мүмкін.
- Бар мәзірлер мен опциялар сіз қолданатын кіріс көзінен немесе өнім үлгісінен өзгешелеу болуы мүмкін.
- Болашақта бұл теледидарға жаңа мүмкіндіктер қосылуы мүмкін.
- Тұтынылатын қуат мөлшерін азайту мақсатында теледидарды күту режиміне қоюға болады. Егер біраз уақыт қарамайтын болса, теледидарды өшіріп қою қажет. Бұл тұтынылатын қуат мөлшерін азайтады.
- Кескін жарқындығының деңгейі төмендетілсе, қолданыс үстінде тұтынылатын қуат мөлшері айтарлықтай азайып, бұл өз ретінде жалпы қуат ақысын азайтады.

ОРНАТУ ПРОЦЕДУРАСЫ

- 1 Буманы ашып, барлық қосалқы құралдар қамтылғанын тексеріңіз.
- 2 Тіректі теледидарға бекітіңіз.
- 3 Сыртқы құрылғыны теледидарға жалғаңыз.

Қазақша

ЖИНАУ ЖӘНЕ ДАЙЫНДАУ

Орауыштан шығару

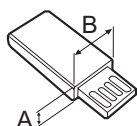
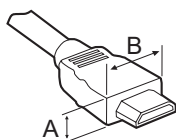
Өнімнің қорабында төмендегі заттардың бар екенін тексеріңіз. Кейбір қосалқы құралдары жетіспесе, өнімді сатып алған жергілікті дилерге хабарласыңыз. Нұсқаулықтағы суреттер өнімнің және бірге берілген заттардың нақты түрінен өзгеше болуы мүмкін.

! ЕСКЕРТУ

- Қауіпсіздікті қамтамасыз етіп, өнімнің жұмыс мерзімін арттыру үшін, мақұлданбаған өнімдерді пайдаланбаңыз.
- Мақұлданбаған өнімдерді пайдаланудан туындаған зақымдар немесе залал кепілдікке кірмейді.

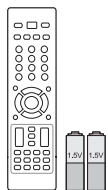
! ЕСКЕРТПЕ

- Өніммен бірге берілген заттар оның үлгісіне қарай әртүрлі болуы мүмкін.
- Өнім сипаттамалары немесе осы нұсқаулықтың мазмұны өнім функцияларының жетілдірілуіне байланысты алдын ала ескертусіз өзгертілуі мүмкін.
- Оңтайлы байланыс болу үшін, HDMI кабельдері және USB құрылғылары ұштарының қалыңдығы 10 мм-ден және ені 18 мм-ден аспауы керек. USB кабелі немесе USB жад картасы теледидардың USB портына сай келмесе, USB 2.0 қолдайтын ұзарту кабелін пайдаланыңыз.



*A ≤ 10 mm

*B ≤ 18 mm



Қашықтан басқару құралы және батареялар (AAA)



Пайдаланушы н.с.аулы.ы



Сүртетін шүберек
(Үлгіге байланысты)
Оны корпустан шаңды кетіру үшін пайдаланыңыз.



Құрастыру бұрандасы
8EA, M4 x 20



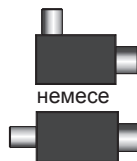
Бекіту бұрандасы
(Тек 32/42CS56**)



Қуат сымы

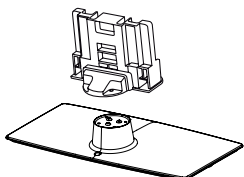


Қорғағыш қапқақ



немесе

Оқшаулағыш¹
(Үлгіге байланысты)

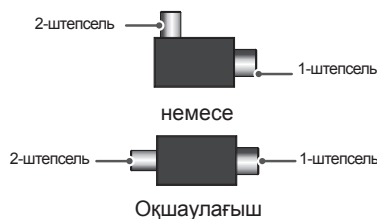


Тірек корпусы / тірек негізі

1 Антеннаның оқшаулағышын орнату нұсқаулығы

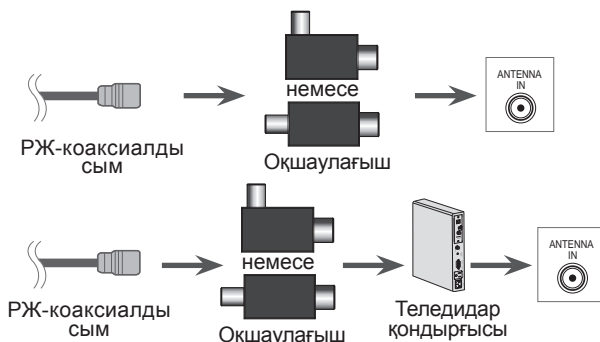
- Бұл нұсқаулықты қуаттың жерге қосылуы мен антенна сигналының жерге қосылуы арасындағы кернеу айырмашылығы болғанда теледидарды орнату үшін пайдаланыңыз.
- Егер қуаттың жерге қосылуы мен антенна сигналының жерге қосылуы арасындағы кернеу айырмашылығы болса, антенна түйіспесі қызып кетіп, нәтижесінде келеңсіз оқиға орын алуы мүмкін.
- ТД қарап отырғанда қауіпсіздікті арттыру үшін, ТД антеннасынан қуат кернеуін тиімді түрде шығаруға болады. Орнатқаннан кейін антенна оқшаулағышын ажыратпаңыз.

- Антенна оқшаулағыштың сырты:



- Байланыс әдісі:

- 1-штепсельді сигнал кабеліне жалғаңыз.
- 2-штепсельді ТД артындағы ANT кіріс ұясына жалғаңыз



«Ғимарат құрылысындағы қорғау жер қосылысына розетка арқылы немесе қорғау жер қосылысына жалғанатын басқа жабдық арқылы жалғанған, сондай-ақ, коаксиалды кабельді қолданатын кабельді тарату жүйесіне жалғанған жабдық кейбір жағдайларда өрт шығаруы мүмкін.

Кабельді тарату жүйесімен орнатылған байланыс белгілі бір жиілік диапазонынан (гальваникалық оқшаулағыш, EN 60728-11 стандартын қараңыз) төмен электр оқшаулауын қамтамасыз ететін құрылғы арқылы болуы керек»

РЖ оқшаулағышын қолданғанда, сәл сигнал сезімталдығының жоғалуы орын алуы мүмкін.

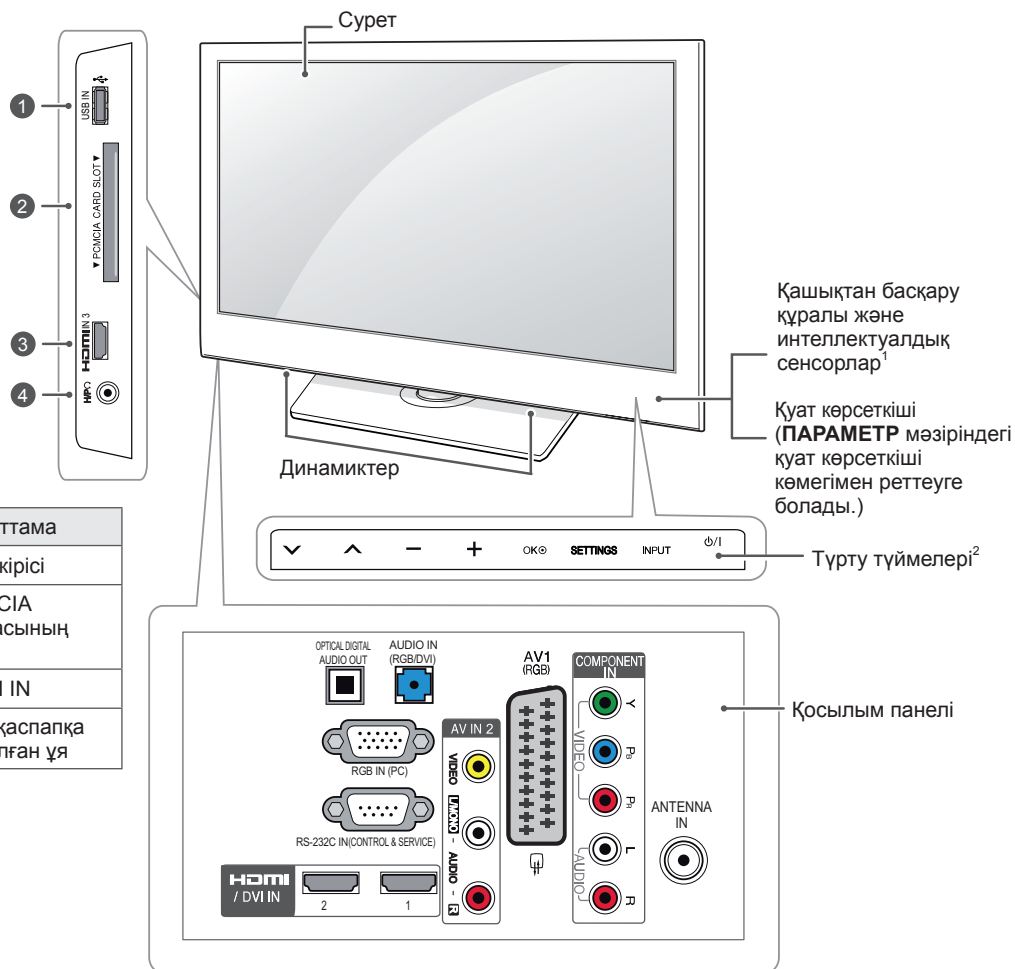
Бөлшектер мен түймелер

! ЕСКЕРТПЕ

- Тұтынылатын қуат мөлшерін азайту мақсатында теледидарды күту режиміне қоюға болады. Егер біраз уақыт қарамайтын болса, теледидарды өшіріп қою қажет. Бұл тұтынылатын қуат мөлшерін азайтады.
- Пайдалану барысында бейне жарықтығы азайтылатын болса, ол қуат шығындарын елеулі түрде азайтып, жалпы пайдалану шығындарын төмендетеді.

! ЕСКЕРТУ

- Шыны тірекке тұрмаңыз немесе оған ешқандай соққы келтірмеңіз. Ол сынып кетіп, шыны жарықшақтары жарақаттауы немесе теледидар құлап кетуі мүмкін
- Теледидарды сүйретпеңіз. Еден немесе өнім зақымдалуы мүмкін
- Кейбір үлгілердің экранына жұқа үлдір жабыстырылған, оны алуға болмайды.

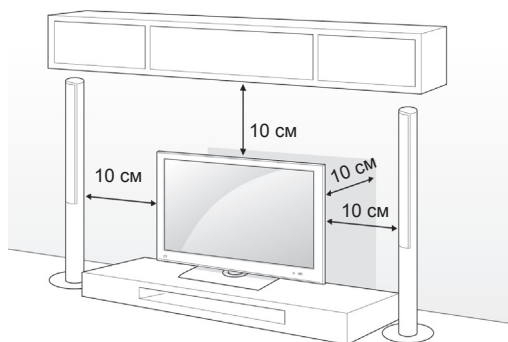


Түрту түймелері	Сипаттама
∨ ^	Сақталған бағдарламалар ішінде жылжиды
- +	Дыбыс деңгейін реттейді
OK ⊙	Белгіленген мәзір опциясын таңдайды немесе енгізілген ақпаратты растайды
SETTINGS	Негізгі мәзірлерге кіреді немесе енгізілген ақпаратты сақтап, мәзірлерден шығады
INPUT	Кіріс көзін өзгертеді
⏻ /	Қуатты қосады немесе өшіреді

- 1 Интеллектуалдық сенсор - қоршаған ортаға негізделіп бейне сапасын және жарықтықты лайықтайды.
- 2 Барлық түймелер түртуге сезімтал, сондықтан оларды жай саусақпен түртіп басқаруға болады.

Үстелге орнату

- Көрсетілген бейне теледидарда көрсетілгеннен өзгеше болуы мүмкін.
- 1 Теледидарды көтеріп, үстелге тігінен қойыңыз.
 - Желдетуге арнап, қабырға мен теледидардың арасында 10 см (ең кемінде) бос орын қалдырыңыз.



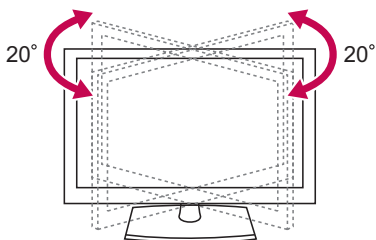
- 2 Қуат сымын қабырғадағы розеткаға қосыңыз.

⚠ ЕСКЕРТУ

- Теледидарды жылу көзінің жанына немесе үстіне қоймаңыз: өрт шығу қаупі бар.

Теледидар бұрышын көруге ыңғайлы лайықтау

20 градус солға немесе оңға бұрып, теледидар бұрышын көруіңізге ыңғайлы етіп лайықтаңыз.



⚠ ЕСКЕРТУ

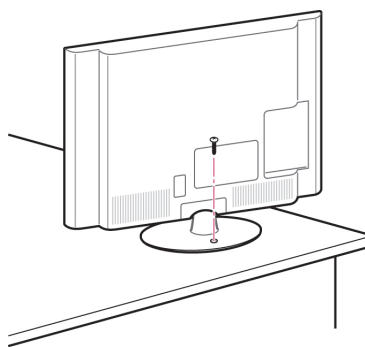
- Өнімнің бұрышын реттегенде, саусақтарыңызға сақ болыңыз
»Қолдарды немесе саусақтарды қысып алу жарақат тигізуі мүмкін. Егер өнімді тым қатты қисайтса, ол құлап, зақым немесе жарақат тудыруы мүмкін.

Теледидарды үстелге бекіту

(Тек 32/42CS56**)

Алдыға еңкейіп кетпеуі, зақымданбауы және адамға жарақат тудырмауы үшін, теледидарды үстелге бекітіп қойыңыз.

Теледидарды үстелге орнатып, берілген бұранданы тіректің артына салып, тартыңыз.



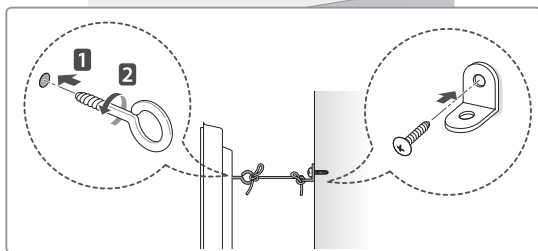
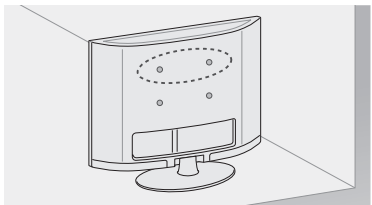
Қазақша

⚠ АБАЙЛАҢЫЗ

- Құлап кетпеу үшін, орнату нұсқаулары бойынша теледидарды еденге/қабырғаға мықтап бекіту керек. Теледидарды еңкейткенде, шайқағанда немесе ырғағанда, адам жарақат алуы мүмкін.

Теледидарды қабырғаға бекіту

(Бұл функция барлық үлгілер үшін мүмкін емес.)



1 Сақиналы болттарды немесе теледидардың артқы жағындағы қапсырмалар мен болттарды кіргізіп, тартыңыз.

- Сақиналы болттардың орнында басқа болттар болса, алдымен соларды шығарып алыңыз.

2 Қабырға қапсырмаларын болттардың көмегімен қабырғаға орнатыңыз.

Қабырға қапсырмасы мен теледидардың артындағы сақиналы болттарды бір-біріне келтіріңіз.

3 Сақиналы болттарды және қабырға қапсырмаларын мықты баумен тартып байлап қойыңыз.

Бау тегіс бетке көлденең тартылып тұру керек.

! ЕСКЕРТУ

- Балалардың теледидарға шықпауын және асылып тұрмауын қадағалаңыз.

! ЕСКЕРТПЕ

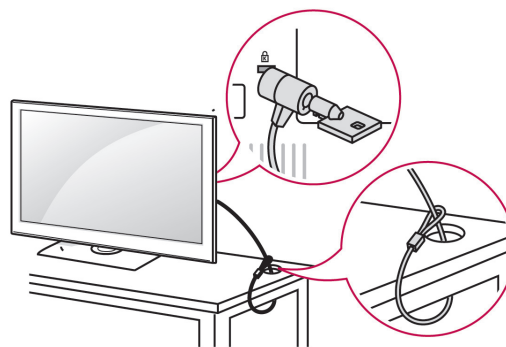
- Теледидар теңселмей тұратын мықты және үлкен үстел немесе түпқойманы пайдаланыңыз.
- Кронштейн, тростар, болттармен жабдықталмайды. Қосымша керек-жарақтарды жергілікті диллерлерден бөлек сатып алуыңызға болады.

Kensington қауіпсіздік жүйесін пайдалану Бұл

(Үлгіге байланысты)

Kensington қауіпсіздік жүйесінің жалғағышы теледидардың артында орналасқан. Орнату мен пайдалану туралы қосымша ақпаратты Kensington қауіпсіздік жүйесімен бірге берілген нұсқаулықтан қараңыз немесе <http://www.kensington.com> торабына кіріңіз.

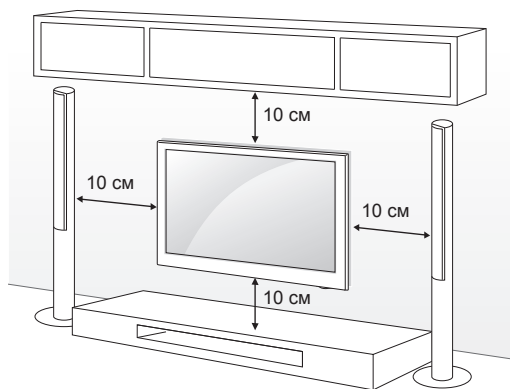
Kensington қауіпсіздік жүйесінің кабелі арқылы теледидар мен үстелді жалғаңыз.



Қабырғаға орнату


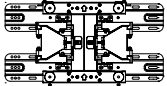
Теледидардың артқы жағына қабырға қабырғаға бекіту тетігін тағып, тетікті қатты, еденге перпендикулярлы түрде қабырғаға бекітіңіз. Теледидарды басқа құрылыс бөліктеріне орнату үшін, білікті мамандарға хабарласыңыз.

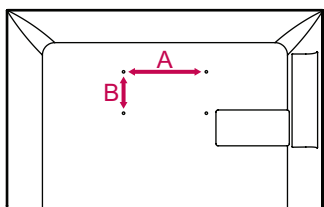
LG компаниясы қабырғаға бекітуді білікті кәсіби орнатушы орындауын ұсынады.



Міндетті түрде VESA стандартына сәйкес келетін бұрандаларды және қабырғаға бекіту тетіктерін қолданыңыз. Қабырғаға бекіту жинақтарының стандартты өлшемдері төмендегі кестеде берілген.

Бөлек сатылады (қабырғаға бекіту қапсырмасы)

Үлгі	32CS56**	42/47CS56**
VESA (A x B)	200 x 100	200 x 200
Стандартты бұранда	M4	M6
Бұрандалар саны	4	4
Қабырғаға бекіту қапсырмасы	LSW100B 	LSW200BX 



! ЕСКЕРТУ

- Алдымен қуатты ажыратыңыз, содан кейін барып теледидарды жылжытыңыз немесе орнатыңыз. Әйтпесе, ток соғуы мүмкін.
- Төбеге немесе қисық қабырғаға орнатса, теледидар құлап, ауыр жарақат тудыруы мүмкін. Рұқсат етілген LG қабырғаға бекіту тетігін қолданыңыз және жергілікті дилерге немесе білікті мамандарға хабарласыңыз.
- Бұрандаларды тым қатты бұрамаңыз: теледидар зақымданып, кепілдік күшін жоюы мүмкін.
- VESA стандартына сәйкес келетін бұрандаларды және қабырғаға бекіту тетіктерін қолданыңыз. Дұрыс қолданбау немесе сәйкес келмейтін қосалқы құралды пайдалану нәтижесінде болған зақымдар мен жарақаттар кепілдікке кірмейді.

! ЕСКЕРТПЕ

- VESA стандартты бұранда сипаттамаларының тізімінде берілген бұрандаларды пайдаланыңыз.
- Қабырғаға бекіту жинағына орнату нұсқаулығы мен қажетті бөлшектер кіреді.
- Қабырғаға бекіту тетігіне байланысты бұрандалардың ұзындығы әртүрлі болуы мүмкін. Міндетті түрде қажетті ұзындықты таңдаңыз.
- Қосымша ақпаратты қабырғаға бекіту тетігімен берілген нұсқаулықтан қараңыз.

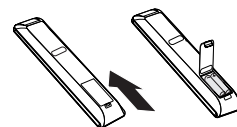
ҚАШЫҚТАН БАСҚАРУ ҚҰРАЛЫ

Бұл нұсқаулықтағы сипаттамалар қашықтан басқару құралындағы түймелерге арналған.

Нұсқаулықты мұқият оқып, теледидарды дұрыс пайдаланыңыз.

Батареяларды ауыстыру үшін, батарея қақпағын ашып, батареяларды (1,5 В AAA) ⊕ және ⊖ жақтарын ішіндегі белгілерге келтіріп салыңыз да, қақпақты жабыңыз. Қашықтан басқару құралын теледидардағы сенсорына бағыттау керек.

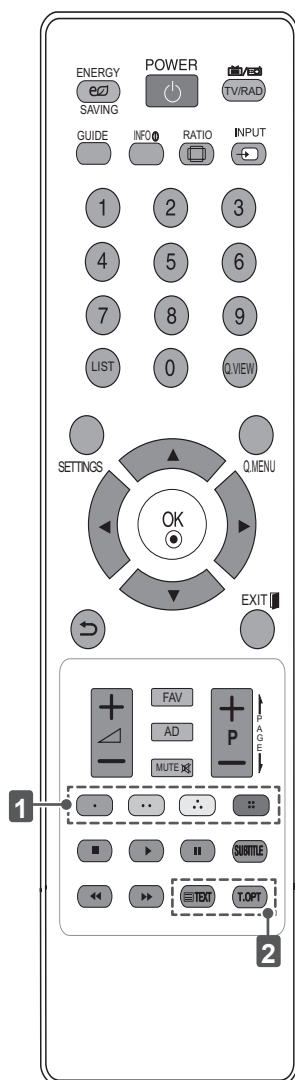
Батареяларды шығару үшін, орнатқандағы әрекеттерді керісінше орындаңыз.



⚠ ЕСКЕРТУ

- Ескі және жаңа батареяларды бірге салмаңыз: қашықтан басқару құралы зақымдануы мүмкін.

Қазақша



ENERGY SAVING	Тұтынылатын энергияны азайту үшін экранның жарықтығын реттейді.
TV / RAD	Радио, теледидар және DTV бағдарламаларын таңдайды.
GUIDE	Бағдарлама нұсқаулығын көрсетеді.
INFO	Ағымдағы бағдарламаның және экранның ақпаратын көрсетеді.
RATIO	Бейненің өлшемін өзгертеді.
INPUT	Сигнал көзін өзгертеді.
LIST	Сақталған бағдарламалар тізімін көрсетеді.
Q.VIEW	Алдыңғы көрілген бағдарламаға қайтады.
SETTINGS	Негізгі мәзірлерді көрсетеді.
Q.MENU	Жылдам мәзірлерді көрсетеді.
Жылжу түймелері (жоғары/төмен/солға/оңға)	Мәзірлер мен параметрлерде жылжиды.
OK	Мәзірлер мен параметрлерді таңдап, енгізуді растайды.
↵	Алдыңғы деңгейге қайтады.
EXIT	Экрандағы дисплейлерді кетіріп, теледидарды көру режиміне қайтарады.
FAV	Таңдаулы бағдарламалар тізімін көрсетеді.
AD	Дыбысты сипаттау функциясын қосады немесе өшіреді.
← PAGE →	Алдыңғы немесе келесі экранға өтеді.
Түсті түймелер	Бұлар кейбір мәзірлердегі арнайы функцияларға қатынасады. (■ : қызыл, ■ : жасыл, ■ : сары, ■ : көк)
SUBTITLE	Сандық режимде қалаулы субтитрді қайта шығарады.
Басқару түймелері (■ , ▶ , , ◀◀ , ▶▶)	МЕНИҢ МУЛЬТИМЕДИАМ мәзірлерін немесе SIMPLINK үйлесімді құрылғыларын (USB, SIMPLINK) басқарады.
TELETEXT ТҮЙМЕЛЕРІ	Бұл түймелер телемәтін үшін пайдаланылады.

ТЕЛЕДИДАР ҚАРАУ

Антеннаны жалғау

Теледидар қарау үшін, төмендегі нұсқаулар бойынша антеннаны жалғаңыз. Зақым келмеу үшін, құрылғылар толық байланысып болғанша, қуат сымдарын розеткаға қоспаңыз.

RF кабелі (75 Ω) арқылы теледидарды қабырғадағы антенна ұясына жалғаңыз.

! ЕСКЕРТПЕ

- Сурет сапасы мейлінше оңтайлы болу үшін антеннаның бағытын лайықтаңыз.
- Сигнал әлсіз болған аймақтарда сурет сапасын мейлінше жақсарту үшін, сигнал күшейткішін суретте көрсетілгендей етіп антеннаға орнату керек болуы мүмкін.
- Егер антенна қосылған күйде бейне сапасы нашар болса, антеннаның бағытын түзетіңіз.
- Антенна кабелі мен конвертер жинаққа кірмейді.

Теледидарды бірінші рет қосу

Теледидарды бірінші рет қосқанда, Алғашқы орнату экраны пайда болады. Тілді таңдап, негізгі параметрлерді реттеңіз.

- 1 Қуат сымын розеткаға қосыңыз.
- 2 Күту режимінде теледидарды қосу үшін, **⏻(ҚУАТ)** түймесін басыңыз.
Теледидарды бірінші рет қосқанда, Алғашқы орнату экраны пайда болады.

! ЕСКЕРТПЕ

- Басты мәзирде **ПАРАМЕТР** тармағына өтіп, **Зауыттық параметрлерді қалпына келтіру** мүмкіндігін пайдалануға болады.

- 3 Теледидардың параметрлерін қалауларыңызға сәйкес реттеу үшін, экрандағы нұсқауларды орындаңыз.

Тіл	Көрсетілетін тілді таңдайды.
↓	
Режимді орнату	Үй ортасы үшін Үйде қолдану функциясын таңдайды.
↓	
Ел	Көрсетілетін елді таңдайды.
↓	
Уақыт белдеуі	Уақыт белдеуі мен жаз уақытын таңдайды. (Ел ретінде «Ресей» таңдалғанда)
↓	
Кілт сөз орнату	Кілтсөзді орнатады. (Ел ретінде «Франция» таңдалғанда)
↓	
Автоматты дәлдеу	Бар бағдарламаларды автоматты түрде іздеп, сақтайды.

! ЕСКЕРТПЕ

- DTV хабар тарату стандарттары расталмаған елдерде, DTV хабар тарату ортасына байланысты, кейбір DTV мүмкіндіктері жұмыс істемеуі мүмкін.
- Мемлекет ретінде Франция таңдалғанда кілтсөз «0», «0», «0», «0» емес, «1», «2», «3», «4» болады.

- 4 Негізгі параметрлер орнатылғанда **OK** түймесін басыңыз.

! ЕСКЕРТПЕ

- Бастапқы параметрлердің орнатылуы аяқталмаса, олар теледидар қосылған сайын көрсетіледі.
- Теледидар ұзақ уақыт пайдаланбағанда, қуат сымын розеткадан ажыратыңыз.

- 5 Теледидарды өшіру үшін, **⏻(ҚУАТ)** түймесін басыңыз.

АҚАУЛЫҚТАРДЫ ЖОЮ

Ақаулық	Ажыратымдылық
Теледидаржы қашықтан басқару құралымен басқару мүмкін емес.	<ul style="list-style-type: none"> Өнімдегі қашықтан басқару құралының сенсорын тексеріп, қайтадан көріңіз. Өнім мен қашықтан басқару құралының арасында кедергінің жоқ екенін тексеріңіз. Батареялардың жұмыс істеп тұрғанын және дұрыс орнатылғанын тексеріңіз (⊕ жағына, ⊖ жағын ⊖ жағына)
Бейне көрсетілмейді және дыбыс шықпайды.	<ul style="list-style-type: none"> Өнімнің қосылып тұрғанын тексеріңіз. Қуат сымның розеткаға қосылғанын тексеріңіз. Басқа өнімдерді жалғап, розетканың ақаулы емес екенін тексеріңіз.
Теледидарды қосқан кезде, бейне баяу пайда болады.	<ul style="list-style-type: none"> Өнім іске қосылған кезде, бейненің дыбысы өшірулі болады. Бұл қалыпты жағдай. Егер бейне бірнеше минут ішінде пайда болмаса, теледидарды 30 секундқа розеткадан ажыратып, қайта көріңіз. Бейне сонда да көрсетілмесе, жергілікті уәкілетті қызмет орталығына хабарласыңыз.
Сыртқы құрылғыларды жалғау мүмкін емес.	<ul style="list-style-type: none"> «Байланыстарға шолу» бөлімін оқып, сыртқы құрылғыны жалғаңыз.
Теледидар кенет өшіп қалады.	<ul style="list-style-type: none"> Қуатты басқару параметрлерін тексеріңіз. Қуат көзі ажыратылуы мүмкін. Уақыт параметрлерінде Автоматты ұйықтау мүмкіндігінің қосылып тұрғанын тексеріңіз. «Автосөндіру таймері» бөлімін қараңыз. Теледидар қосылып тұрғанда, сигнал болмаса, онда 15 минут әрекетсіздіктен кейін, теледидар автоматты түрде өшеді.

Қазақша

Ақаулық	Ажыратымдылық
Бейнелер көрсетілгенімен, дыбыс шықпайды.	<ul style="list-style-type: none"> ▲ + немесе - түймесін басыңыз. MUTE («Дыбысты өшіру») басылғанда дыбыстың өшіріліп-өшірілмейтінін тексеріңіз. Басқа арналарға жылжып барыңыз. Таратуда ақаулық болуы мүмкін. Аудио кабельдердің дұрыс жалғанғанын тексеріңіз.
Динамиктердің біреуінен шу шығады немесе дыбыс шықпайды.	<ul style="list-style-type: none"> Қоршаған орта ылғалдылығының немесе температураның өзгеруі өнімнің қосылуы немесе өшірілуі кезінде әдеттен тыс шудың пайда болуына апаруы мүмкін. Өніміңізде ақаулық жоқ.

Ақаулық	Ажыратымдылық
Бейне қара және ақ түсте көрсетіледі немесе түс сапасы нашар.	<ul style="list-style-type: none"> Түс параметрлерін СУРЕТ мәзірінде реттеңіз. Осы өнім мен басқа электронды өнімдердің арасында тиісті қашықтық болуы тиіс. Басқа арналарға жылжып барыңыз. Таратуда ақаулық болуы мүмкін.
Көлденең немесе тік сызықтар пайда болады немесе бейнелер анық көрсетілмейді.	<ul style="list-style-type: none"> Электр жабдығы немесе механикалық құрал секілді жергілікті кедергілердің бар-жоғын тексеріңіз.
Бейнелерде сызықтар немесе жолақтар пайда болады	<ul style="list-style-type: none"> Антеннаны тексеріңіз немесе антеннаны дұрыс бағытқа бұрыңыз.
Өнім өшірілгенде, қалдық бейнелер (іздер) пайда болады.	<ul style="list-style-type: none"> Ұзақ уақыт бойы экранда қозғалыссыз тұрған бейненің әсерінен пиксельдер зақымданған болуы мүмкін. Пиксельдің зақымдануына жол бермеу үшін, экран сақтағышын пайдаланыңыз.
Электр қуаты қосылып тұрса да, экран қап-қара болып көрінеді.	<ul style="list-style-type: none"> Жарықтық пен контрастты СУРЕТ мәзірінде реттеңіз.
“No Signal” appears on the screen.	<ul style="list-style-type: none"> Теледидар мен өнімдердің арасында сигналдық кабельдің дұрыс жалғанғанын тексеріңіз. INPUT («Кіріс») түймесін басып, таңдалған кіріс сигналын тексеріңіз.
Экранда қара дақтар көрсетіледі.	<ul style="list-style-type: none"> Экранда қызыл, жасыл, ақ немесе қара түсті бірнеше пиксель пайда болуы мүмкін және бұл панельдің сипаттарына қатысты орын алады. Бұл қалыпты жағдай.
Дисплей дұрыс реттелмеген.	<ul style="list-style-type: none"> Орналасу параметрін СУРЕТ мәзірінде реттеңіз (66-бетті қараңыз). Өнімнің бейне карта ажыратымдылығы мен жиілігін қолдайтынын тексеріңіз. Егер жиілік мөлшерден тыс болса, сыртқы құрылғыдағы дисплей параметрлерін қолданып, ұсынылатын ажыратымдылықты орнатыңыз.
Экран фонында жіңішке сызықтар пайда болады.	<ul style="list-style-type: none"> Бейне кабельдердің жалғанған жерлерін тексеріңіз.
Көлденең сызықтар пайда болады немесе бейнелер бұлдырлайды.	<ul style="list-style-type: none"> Фаза параметрін СУРЕТ мәзірінде реттеңіз. «ЭКРАН» бөлімін қараңыз.
Кейбір арналарда сигнал нашар қабылданады.	<ul style="list-style-type: none"> Басқа арналарға жылжып барыңыз. Таратуда ақаулық болуы мүмкін. Станция сигналы әлсіз болуы мүмкін. Антеннаны дұрыс бағытта бұрыңыз. Электр жабдығы немесе механикалық құрал секілді жергілікті кедергілердің бар-жоғын тексеріңіз.

ТЕХНИКАЛЫҚ СИПАТТАМАЛАР

ҮЛГІЛЕР		32CS56**	42CS56**	47CS56**
		32CS560-ZD	42CS560-ZD	47CS560-ZD
Өлшемдер (Е x Б x Қ)	тірекпен (мм)	795,0 x 568,0 x 207,0	1019,0 x 698,0 x 265,0	1132,0 x 762,0 x 265,0
	тірексіз (мм)	795,0 x 504,0 x 73,5	1019,0 x 631,0 x 76,5	1132,0 x 695,0 x 76,5
Салмағы	тірекпен (kg)	9,6	15,1	19,0
	тірексіз (kg)	8,5	13,4	17,3
Қажетті кернеу		100-240 В ~ 50 / 60 Гц айнымалы ток	100-240 В ~ 50 / 60 Гц айнымалы ток	100-240 В ~ 50 / 60 Гц айнымалы ток
Тұтынылатын қуат		120 Вт	170 Вт	230 Вт

Жоғарыда көрсетілген өнім сипаттамалары өнім функцияларының жетілдірілуіне байланысты алдын ала ескертусіз өзгертілуі мүмкін.

Қуат көзіне қосу мен электр қуатын тұтыну мәліметтерін өнімдегі жапсырмадан қараңыз.

БАСТАПҚЫ КОДЫ АШЫҚ БАҒДАРЛАМАЛЫҚ ҚҰРАЛ ЕСКЕРТУІ

Осы өнімдегі GPL, LGPL, MPL және басқа да бастапқы коды ашық лицензиялардағы бастапқы коды алу үшін <http://opensource.lge.com> веб-торабына өтіңіз.

Бастапқы кодқа қоса, барлық қажетті лицензиялардың шарттарын, кепілдік міндеттерінен бас тарту құжаттарын және авторлық құқық туралы мәліметтерін алуға болады.

LG Electronics компаниясы тарату шығынын қамтитын ақыға (дерек тасығышының құны, жеткізу және өңдеу) opensource@lge.com мекенжайына электрондық пошта арқылы сұрау жіберілгенде бастапқы коды ықшам дискіде жеткізуді ұсынады. Бұл ұсыныс осы өнімді сатып алған уақыттан бастап үш (3) жыл ішінде жарамды болады.

Қазақша

ПАЙДАЛАНУШЫ НҰСҚАУЛЫҒЫНА ҚОСЫМША АҚПАРАТ

Пайдаланушы нұсқаулығын қарау

PDF файл пішіміндегі пайдаланушы нұсқаулығы ықшам дискіде берілген. Пайдаланушы нұсқаулығын компьютерде қарау үшін, Adobe Acrobat Reader бағдарламасын орнатыңыз.

- 1 Берілген ықшам дискіні енгізіңіз.
Веб-бет автоматты түрде ашылады.
- 2 Веб-беттегі пайдаланушы нұсқаулығын басыңыз.
- 3 Пайдаланушы нұсқаулығын қараңыз.

! ЕСКЕРТПЕ

Веб-бет автоматты түрде ашылмаса, пайдаланушы нұсқаулығын қарау үшін, Менің компьютеріме кіріп, LG белгішесін, одан кейін [index.htm](#) белгішесін басыңыз.



ПОСІБНИК КОРИСТУВАЧА РК-телевізор

Уважно ознайомтеся з цим посібником, перш ніж почнете користуватися пристроєм, та збережіть його для довідки в майбутньому.



001



003

www.lg.com

- Будь ласка, уважно прочитайте ці застереження з безпеки, перш ніж розпочинати експлуатацію виробу.
- Ілюстрації, наведені в цьому керівництві, можуть дещо відрізнятися від вашого приладу, оскільки вони є лише прикладами для сприяння поясненню.



- ПОПЕРЕДЖЕННЯ** • Нехтування попереджувальними повідомленнями може призвести до серйозної травми, нещасного випадку або летальних наслідків.
- УВАГА** • Нехтуючи застережливими повідомленнями, ви ризикуєте зазнати легких травм або пошкодити цей виріб.

Застереження стосовно встановлення виробу

ПОПЕРЕДЖЕННЯ

Встановлюйте виріб подалі від джерел тепла, таких як електричні нагрівальні пристрої.
- Це може призвести до ураження електричним струмом, виникнення пожежі, несправної роботи або деформації виробу.

Не використовуйте виріб у приміщенні з підвищеною вологістю, наприклад у ванній кімнаті, або в іншому місці де на нього може потрапити вода.
- Це може спричинити пожежу або ураження електричним струмом!

Якщо відчувається запах диму або інші незвичні запахи, або чути сторонні шуми, висуňte шнур живлення з настінної розетки та зверніться до сервісного центру.
- Якщо продовжити працювати, не жививши відповідних заходів, це може призвести до ураження електричним струмом або виникнення пожежі.

УВАГА

Встановлюйте виріб на плоскій та стійкій поверхні, з якої він не зможе власти.
- Якщо виріб впаде, він може завдати вам травми або пошкодитись.

Не залишайте виріб під прямим сонячним промінням.
- Це може призвести до пошкодження виробу.

Не розташовуйте продукт у вбудованих конструкціях, наприклад полицях або книжкових шафах. - Потрібна вентиляція.

Зауваження стосовно електричного живлення

ПОПЕРЕДЖЕННЯ

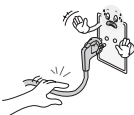
Переконайтесь, що шнур живлення підключено до заземленого джерела живлення.
- У протилежному випадку ви можете отримати смертельне ураження електричним струмом або серйозну травму.

Не доторкайтесь до кабелю живлення вологими руками. Крім того, якщо штепсельна розетка волога або вкрита пилом, повністю висушіть її або очистіть від пилу.
- Вас може бути уражено електричним струмом через надмірну вологість.

Під час грози відключіть шнур живлення або сигнальний кабель.
- Існує небезпека ураження електричним струмом або виникнення пожежі.

УВАГА

Уникайте фізичного або механічного ураження кабелю живлення, наприклад, перекручування, стиснення, затискання в дверях або ходіння по ньому. Під час користування, будьте особливо уважними до розеток, вилок і точки, де кабель виходить з пристрою.



Доки пристрій підключено до настінної розетки змінного струму, він залишається підключеним до джерела живлення незалежно від того, чи вимкнули ви пристрій за допомогою кнопки SWITCH (Увімкнення).

Застереження стосовно переміщення виробу

ПОПЕРЕДЖЕННЯ

Обов'язково вимикайте виріб. Перш ніж переносити виріб, від'єднуєте від нього всі кабелі.
- У протилежному випадку ви можете зазнати смертельного ураження електричним струмом; або виріб може бути пошкоджено.



УВАГА

Не трусіть виріб, переносячи його.
- У протилежному випадку ви можете зазнати смертельного ураження електричним струмом; або виріб може бути пошкоджено. Переносьте монітор, тримаючи його двома руками екраном уперед.
- Якщо виріб впаде, то, пошкодившись, він може спричинити ураження електричним струмом або пожежу. Зверніться до сервісного центру, щоб виконати ремонт.



Застереження стосовно експлуатації виробу

ПОПЕРЕДЖЕННЯ

Не розбирайте виріб, не ремонтуйте його та не змінюйте його самостійно.
- Може статися пожежа або ураження електричним струмом.
- Зверніться до сервісного центру для перевірки або ремонту виробу.



Для зменшення ризику виникнення пожежі або ураження електричним струмом, бережіть виріб від дощу та вологи. На прилад в жодному разі не повинна капати або розливатись рідина, на нього не можна ставити предмети, заповнені рідиною, наприклад, вази.



Обслуговування повинно виконуватись виключно кваліфікованим персоналом. Необхідність у технічному обслуговуванні виникає у випадку пошкодження виробу, або його частини, наприклад, кабелю живлення або вилки, розлиття рідини або падіння предметів у виріб, дії дощу або підвищеної вологи, порушення нормальної роботи або падіння.



ВАЖЛИВА ІНФОРМАЦІЯ ЩОДО ПОПЕРЕДЖЕННЯ "IMAGE BURN / BURN-IN" (ЕФЕКТУ ПРОГОРАННЯ АБО ЗАЛИШКОВОГО ЗОБРАЖЕННЯ) НА ЕКРАНІ ТЕЛЕВІЗОРА

- Коли зображення (логотипів, меню екрана, відеогри, дисплея комп'ютера або сторінок телетексту) відображається на екрані телевізора протягом тривалого часу, воно може залишитися на поверхні екрана при зміні каналу. Цей феномен називається "image burn" (ефект прогорання) або "burn-in" (залишкове зображення). Відповідно до гарантії, наданої виробником, ефект залишкового зображення не підлягає відшкодування.
- Щоб попередити виникнення залишкового зображення, уникайте тривалого відображення зображення на екрані телевізора (від 2 годин для рідкокристалічних екранів або від 1 години для плазмових телевізорів).
- Ефект залишкового зображення також може виникнути під час розміщення кадру у форматі 16:9 у кадрі з форматом 4:3, якщо налаштування цього формату (4:3) використовуються тривалий час.

! ПРИМІТКА

- Зображення може дещо відрізнятися від реального вигляду вашого телевізора.
- Екранне меню телевізора може дещо відрізнятися від зображеного у цьому посібнику.
- Доступні меню та параметри можуть відрізнятися залежно від використовуваного джерела вхідного сигналу та моделі пристрою.
- У майбутньому до цього телевізора можуть бути додані нові функції.
- Для зменшення споживання електроенергії телевізор можна перевести в режим очікування. Також для економії електроенергії телевізор слід вимикати, коли протягом певного часу його ніхто не дивитиметься.
- За рахунок зниження рівня яскравості зображення під час перегляду телепрограм можна значно зменшити споживання електроенергії та експлуатаційні витрати.

ПРОЦЕДУРА ВСТАНОВЛЕННЯ

- 1 Відкрийте упаковку та перевірте, чи всі приладдя в комплекті.
- 2 Під'єднайте підставку до телевізора.
- 3 Під'єднайте зовнішній пристрій до телевізора.

ВСТАНОВЛЕННЯ ТА ПІДГОТОВКА

Розпаковування

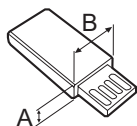
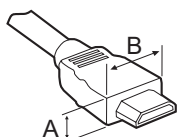
Перевірте наявність перелічених елементів в упаковці. Якщо якогось компонента бракує, зверніться до місцевого постачальника, у якого Ви придбали виріб. Зображення в цьому посібнику можуть відрізнятися від дійсного вигляду виробу чи певного елемента.

! УВАГА

- Не використовуйте неліцензійне приладдя для забезпечення безпеки та для продовження терміну використання виробу.
- На будь-які пошкодження або травми, які виникли внаслідок використання неліцензійних компонентів, гарантія не поширюється.

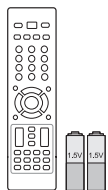
! ПРИМІТКА

- Комплектація виробу може дещо відрізнятися залежно від моделі.
- Характеристики виробу або зміст цього посібника може бути змінено без попередження у зв'язку із вдосконаленням виробу.
- Для нормального під'єднання кабелів HDMI та пристроїв USB товщина зовнішнього обрамлення роз'ємів не повинна перевищувати 10 мм, а ширина – 18 мм. Якщо USB-кабель або USB-пристрій неможливо вставити в USB-роз'єм телевізора, скористайтеся кабелем-подовжувачем, який підтримує роз'єм USB 2.0.



*A ≤ 10 мм

*B ≤ 18 мм



Пульт дистанційного керування та батареї (AAA)



Посібник користувача



Ганчірка для чищення
(залежно від моделі)
Витирайте нею пил на корпусі.



Гвинт для кріплення підставки
8EA, M4 x 20



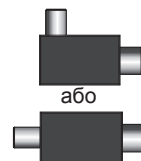
Гвинт для закріплення
(Тільки 32/42CS56**)



Кабель живлення

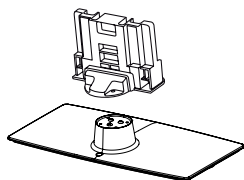


Захисна кришка



Ізолятор¹
(залежно від моделі)

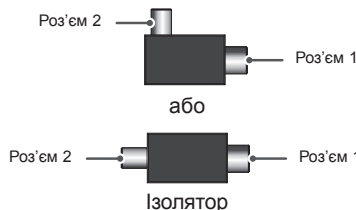
УКРАЇНСЬКА



Кронштейн підставки / Основа підставки

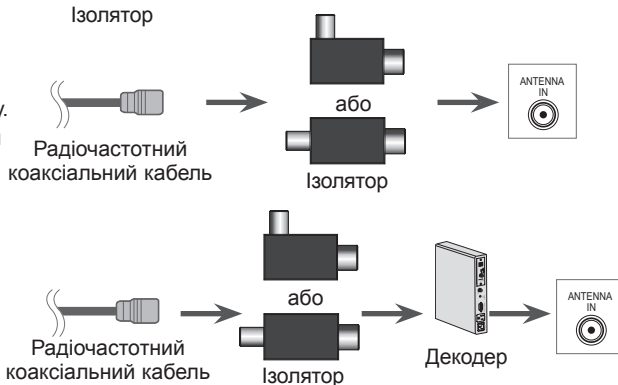
1 Довідник зі встановлення ізолятора для антени

- Використовуйте цей пристрій для встановлення телевізора в місцях, де існує різниця напруг між заземленням джерела живлення і заземленням антени.
 - Якщо існує різниця напруг між заземленням джерела живлення і заземленням антени, контакт антени може сильно нагріватись, що в свою чергу може призвести до нещасного випадку.
- Підвищити безпеку під час перегляду телевізійних програм можна шляхом ефективного усунення напругу з антени телевізора. Не від'єднуйте ізолятор після його встановлення.
- Зовнішній вигляд ізолятора для антени:



- Спосіб під'єднання:

- З'єднайте роз'єм 1 із кабелем передачі сигналу.
- З'єднайте роз'єм 2 із входом для антени на задній панелі телевізора.



“Обладнання, підключене до захисного заземлення будівлі через мережу або через інше обладнання, що під'єднане до захисного заземлення, – і до системи кабельного мовлення за допомогою коаксіального кабелю, в деяких випадках може бути пожежонебезпечним.

Тому підключення до системи кабельного мовлення слід виконувати через пристрій, обладнаний електричною ізоляцією, нижчою певного діапазону частот (гальванічний ізолятор, дивіться правила EN 60728-11)”.

У разі використання радіочастотного ізолятора може мати місце незначна втрата чутливості сигналу.

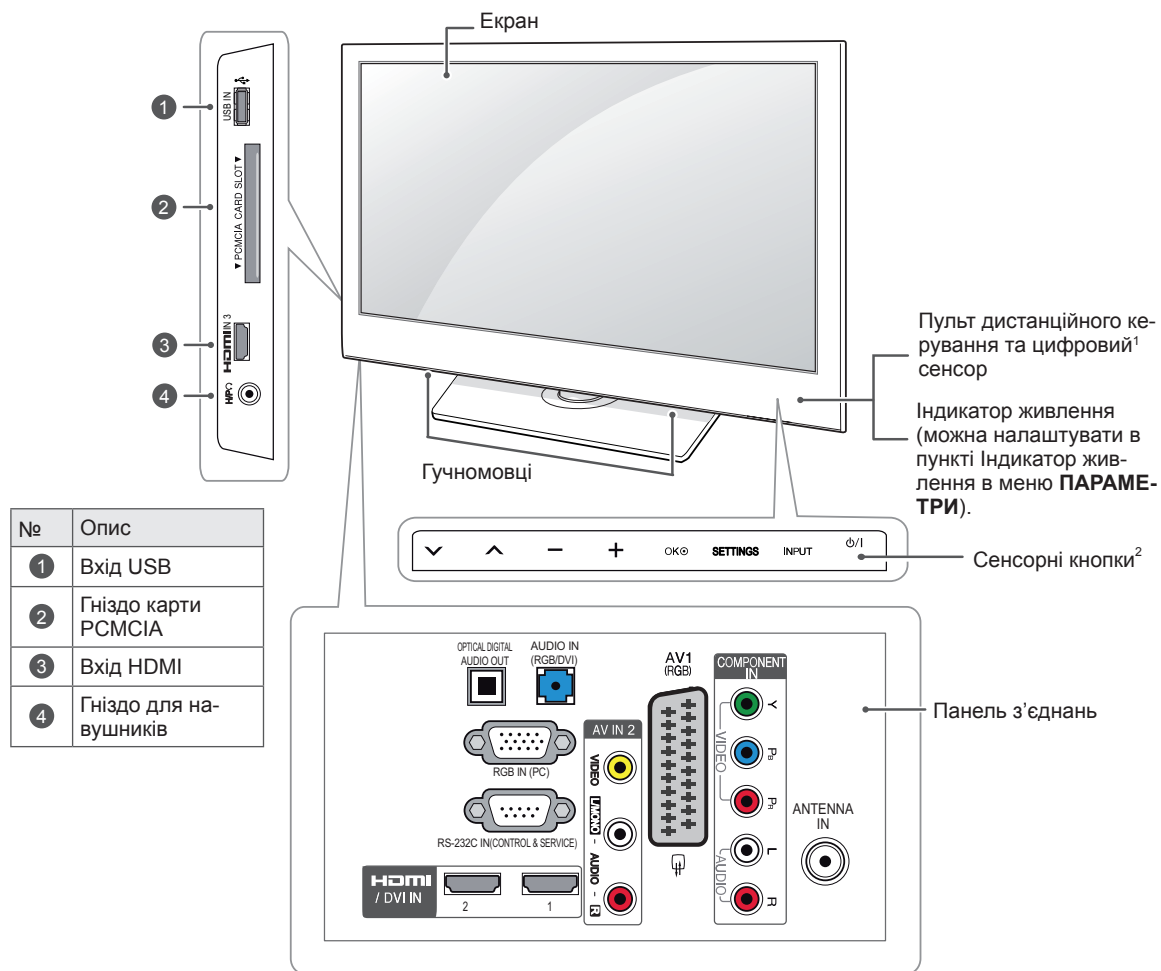
Частини та кнопки

! ПРИМІТКА

- Телевізор можна залишити в режимі очікування, щоб зменшити споживання енергії. Також для економії електроенергії телевізор слід вимикати, коли протягом певного часу його ніхто не дивитиметься.
- Об'єм енергії, що споживається під час використання телевізора, можна значно зменшити за допомогою зниження рівня яскравості зображення, що також сприятиме зменшенню загальних експлуатаційних витрат.

! УВАГА

- Не наступайте на скляну підставку та беріть її від ударів і зіткнень. Вона може розбитися, що може спричинити травми від уламків скла, або телевізор може впасти.
- Не переміщайте телевізор, перетаскуючи його. Це може призвести до пошкодження підлоги або виробу.
- На деяких моделях до екрана прикріплено тонку плівку, яку не можна знімати.



УКРАЇНСЬКА

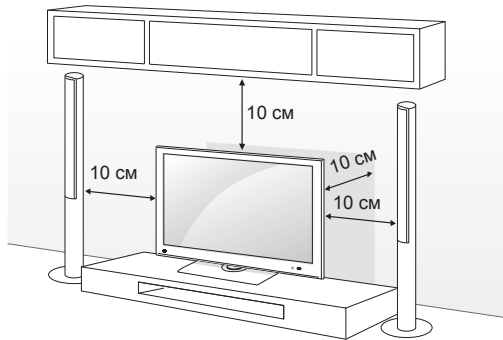
Сенсорні кнопки	Опис
∨ ∨	Для перемикання між збереженими програмами
- +	Для регулювання рівня гучності
OK ●	Для вибору виділеного параметру меню або підтвердження введених даних
SETTINGS	Для доступу до головних меню, збереження введених даних та виходу з меню
INPUT	Для зміни джерела вхідного сигналу
⏻ / I	Для ввімкнення та вимкнення живлення

1 Цифровий сенсор – використовується для регулювання якості зображення відповідно до умов оточення.

2 Сенсорні кнопки – для активації потрібної кнопки достатньо її торкнутися.

Встановлення на столі

- Подані в цьому документі зображення можуть дещо відрізнятися від вигляду вашого телевізора.
- 1 Підніміть телевізор і поставте його вертикально на столі.
 - Для належної вентиляції залишіть відстань до стіни не менше 10 см.



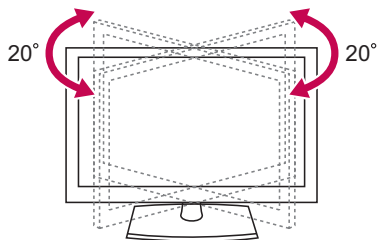
- 2 Під'єднайте кабель живлення до розетки.

УВАГА

- Не ставте телевізор поблизу джерел тепла, оскільки це може призвести до пожежі.

Регулювання кута телевізора для зручного перегляду

Щоб вибрати оптимальне положення екрана для перегляду, телевізор можна повертати на 20 градусів праворуч або ліворуч.



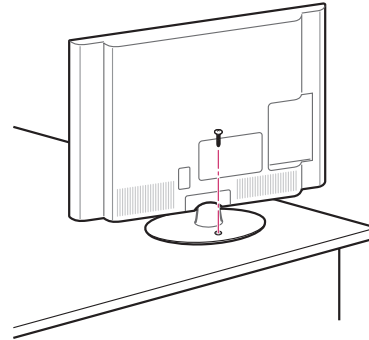
УВАГА

- Регулюючи кут, будьте обережні, щоб не поранити пальці.
»Якщо притиснути руку або пальці, можна травмуватися. Якщо виріб нахилити надто сильно, він може впасти, спричинивши пошкодження або травмування.

Кріплення телевізора до столу

(Тільки 32/42CS56**)

Телевізор можна прикріпити до столу, щоб він не впав уперед, не пошкодився та не травмував оточуючих. Встановіть телевізор на столі, після чого вставте та закрутіть гвинт, що додається в комплекті, в отвір у задній частині підставки.

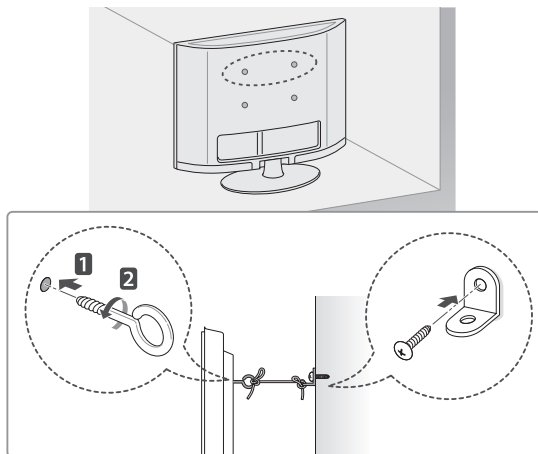


ПОПЕРЕДЖЕННЯ

- Щоб телевізор не перевернувся, його слід міцно прикріпити до підлоги або стіни, як зазначено в інструкції зі встановлення. Якщо телевізор перекинути, трясити чи розгойдувати, це може спричинити травми.

Кріплення телевізора до стіни

(Доступно не для всіх моделей).



- 1 Надійно закрутіть гвинти з кільцями або звичайні гвинти з кутовими кронштейнами в отвори на задній панелі телевізора.
- Якщо в цих отворах закручені інші гвинти, викрутіть їх.
- 2 Зафіксуйте кронштейни на стіні за допомогою шурупів або анкерних гвинтів.
Кронштейни повинні бути розташовані на стіні приблизно навпроти гвинтів із кільцями на задній панелі телевізора.
- 3 За допомогою міцного шнура прив'яжіть гвинти з кільцями до кронштейнів на стіні.
Шнур має натягуватися горизонтально, перпендикулярно до стіни.

УВАГА

- Слідкуйте, щоб діти не намагалися вилізувати на телевізор чи повиснути на ньому.

ПРИМІТКА

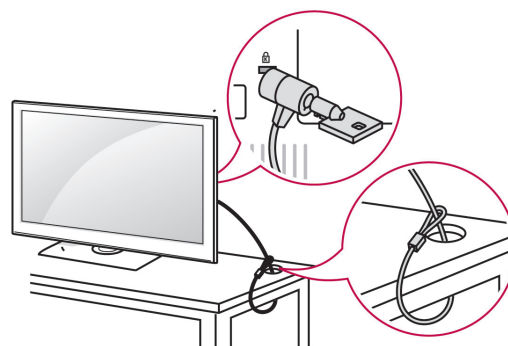
- Ставте телевізор тільки на стійку та міцну підставку або шафку, яка витримає вагу телевізора.
- Кронштейни, шурупи та шнури для кріплення не входять до комплексу поставки з ТВ. Якщо ви хочете придбати ці аксесуари, зверніться до локальних постачальників.

Використання системи безпеки Kensington

(залежно від моделі)

Гніздо для під'єднання системи безпеки Kensington розташоване на задній панелі телевізора. Детальніше про встановлення та використання читайте в посібнику до системи безпеки Kensington або на веб-сайті <http://www.kensington.com>.

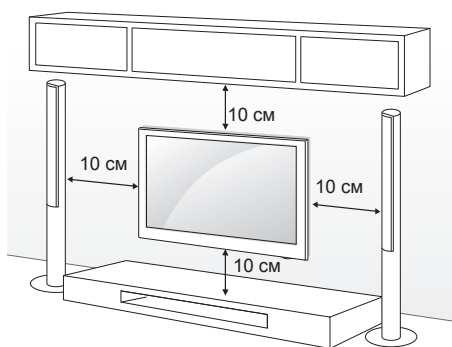
За допомогою кабелю системи безпеки Kensington прикріпіть телевізор до столу.



Встановлення на стіні

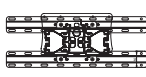
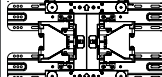
Обережно прикріпіть настінне кріплення до задньої панелі телевізора і примонтуйте його до суцільної стіни перпендикулярно до підлоги. Для кріплення телевізора до інших будівельних матеріалів зверніться до кваліфікованого майстра.

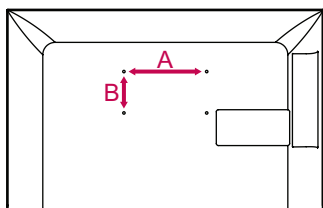
Компанія LG радить залучати до встановлення телевізора на стіні кваліфікованого спеціаліста.



Використовуйте тільки гвинти та настінні кронштейни стандарту VESA. Стандартні розміри наборів для настінного кріплення описано в таблиці нижче.

Продається окремо (кронштейн настінного кріплення)

Модель	32CS56**	42/47CS56**
VESA (A x B)	200 x 100	200 x 200
Стандартний гвинт	M4	M6
Кількість гвинтів	4	4
Кронштейн настінного кріплення	LSW100B 	LSW200BX 



УВАГА

- Перед встановленням або перенесенням телевізора обов'язково від'єднайте кабель живлення. Нехтування цією пересторогою може призвести до ураження електричним струмом.
- Якщо встановити телевізор на стелі або похилій стіні, він може впасти та спричинити серйозні травми. Для кріплення використовуйте настінне кріплення, рекомендоване LG, та зверніться за допомогою до місцевого постачальника або до кваліфікованого майстра.
- Не затягуйте гвинти надмірно, це може пошкодити телевізор та спричинити втрату гарантії.
- Використовуйте гвинти та настінні кріплення тільки стандарту VESA. Гарантія на цей виріб не поширюється на будь-які пошкодження чи травми, що виникли через неналежне використання або використання невідповідних аксесуарів.

ПРИМІТКА

- Використовуйте гвинти, що вказані в списку характеристик стандартних гвинтів VESA.
- Набір для настінного кріплення містить посібник зі встановлення та всі необхідні частини.
- Залежно від настінного кріплення довжина гвинтів може відрізнятися. Виберіть гвинти потрібної довжини.
- Детальніше читайте в посібнику до настінного кріплення.

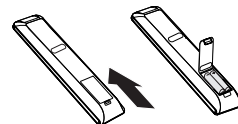
ПУЛЬТ ДИСТАНЦІЙНОГО КЕРУВАННЯ

У цьому посібнику описано кнопки пульта дистанційного керування.

Уважно прочитайте цей посібник та використовуйте телевізор належним чином.

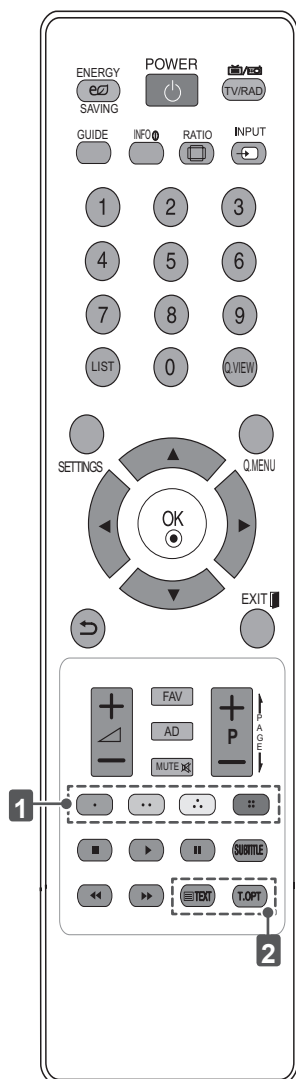
Для заміни батарей відкрийте кришку батарей, замініть батареї (1,5 В, AAA), вставляючи їх відповідним боком до відповідної позначки ⊕ та ⊖ всередині відсіку. Закрийте кришку батарей. Натискаючи кнопки, спрямовуйте пульт дистанційного керування на сенсор дистанційного керування на телевізорі.

Щоб вийняти батареї, виконайте ті самі дії у зворотному порядку.



УВАГА

- Не використовуйте одночасно старі та нові батареї, це може пошкодити пульт дистанційного керування.



ENERGY SAVING	Для регулювання яскравості екрана для зменшення споживання електроенергії.
TV / RAD	Вибір каналу радіо, ТБ або цифрового ТБ.
GUIDE	Виклик довідника програм.
INFO	Перегляд інформації поточної програми та екрана.
RATIO	Для зміни формату зображення на екрані.
INPUT	Зміна джерела вхідного сигналу.
LIST	Доступ до списку збережених програм.
Q.VIEW	Повернення до попереднього каналу.
SETTINGS	Доступ до головних меню.
Q.MENU	Повернення до попереднього каналу.
Навігаційні кнопки (вгору/донизу/ліворуч/праворуч)	Переміщення пунктами меню та параметрами.
OK	Вибір пункту чи параметра меню та підтвердження вибору
	Повернення до попереднього рівня.
EXIT	Вихід з екранного меню та повернення до режиму перегляду телепрограм.
FAV	Доступ до списку вибраних каналів.
AD	Вмикання і вимикання функції звукового опису.
PAGE	Перехід до попереднього чи наступного екрана.
1 Кольорові кнопки	Доступ до певних функцій у деяких меню. (: червона, : зелена, : жовта, : синя)
SUBTITLE	Виклик вибраних вами субтитрів у цифровому режимі.
Кнопки керування (, , , ,)	Для керування меню МОЇ МУЛЬТИМЕДІЙНІ ДАНІ або сумісними пристроями SIMPLINK (USB, SIMPLINK).
2 КНОПКИ РЕЖИМУ ТЕЛЕТЕКСТУ	Ці кнопки використовуються для управління теле-текстом.

ПЕРЕГЛЯД ТЕЛЕПРОГРАМ

Під'єднання антени

Для перегляду телепередач під'єднайте антену згідно з вказівками, поданими нижче.

Для запобігання пошкодженню обладнання ніколи не підключайте кабелі живлення до завершення підключення всього обладнання.

За допомогою кабелю для передачі радіочастотного сигналу під'єднайте телевізор до настінного гнізда антени (75 Ω).

ПРИМІТКА

- Для оптимальної якості зображення, налаштуйте напрямок антени.
- Для отримання кращої якості зображення у зонах слабого сигналу, можливо, потрібно буде встановити на антені підсилювач сигналу.
- Якщо зображення неналежної якості і при цьому під'єднано антену, скеруйте антену в правильному напрямку.
- Кабель та конвертер антени не входять в комплект.

Перше ввімкнення телевізора

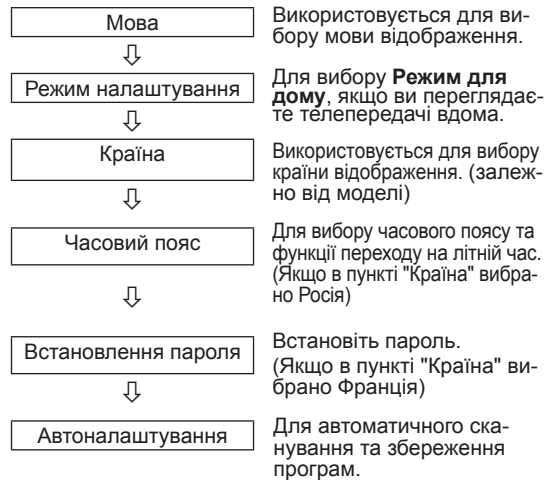
Коли ви вперше вмикаєте телевізор, з'являється екран початкового налаштування. На цьому етапі можна вибрати мову та встановити деякі основні налаштування.

- 1 Під'єднайте кабель живлення до розетки.
- 2 У режимі очікування натисніть кнопку **⏻(живлення)**, щоб увімкнути телевізор.
Якщо телевізор вмикається вперше, з'явиться екран початкового налаштування.

ПРИМІТКА

- Ви також можете відкрити пункт **Заводські налаштування**, увійшовши до пункту **ПАРАМЕТРИ** в головних меню.

- 3 Виконуйте вказівки, що з'являтимуться на екрані, щоб налаштувати телевізор відповідно до своїх уподобань.



ПРИМІТКА

- У країнах, де відсутні єдині стандарти цифрового телебачення, деякі функції цифрового телебачення можуть бути недоступні, в залежності від характеристик цифрового телемовлення.
- Якщо в меню вибору країни вибрано Францію, буде встановлено пароль не "0", "0", "0", "0", а "1", "2", "3", "4".

- 4 Після завершення налаштування основних параметрів натисніть **OK**.

ПРИМІТКА

- Якщо ви не завершили початкове налаштування, вікно налаштувань з'явиться після наступного увімкнення телевізора.
- Від'єднуйте кабель живлення від розетки, якщо не використовуєте телевізор тривалий час.

- 5 Щоб вимкнути телевізор, натисніть кнопку **⏻(ЖИВЛЕННЯ)**.

УСУНЕННЯ НЕСПРАВНОСТЕЙ

Проблема	Вирішення
За допомогою пульта дистанційного керування не відбувається керування телевізором.	<ul style="list-style-type: none"> Перевірте сенсор пульта дистанційного керування на виробі та спробуйте ще раз. Усуньте будь-які перешкоди між пультом дистанційного керування та телевізором. Перевірте ресурс батарей та їх належне розташування (+ до +, - до -).
Не з'являється зображення та немає звуку.	<ul style="list-style-type: none"> Перевірте, чи пристрій увімкнено. Перевірте під'єднання кабелю живлення до розетки на стіні. Перевірте наявність несправностей розетки, під'єднуючи інші пристрої.
Після увімкнення телевізора зображення з'являється повільно.	<ul style="list-style-type: none"> Зображення відтворюється без звуку короткий час після ввімкнення виробу. Це нормальне явище. Якщо зображення не з'являється протягом декількох хвилин, від'єднайте телевізор від мережі на 30 секунд та спробуйте ще раз. Якщо все-таки зображення не з'являється, зверніться до місцевого авторизованого сервісного центру.
Неможливо під'єднати зовнішні пристрої.	<ul style="list-style-type: none"> Читайте розділ "Опис під'єднання" та під'єднайте зовнішній пристрій.
Раптове вимкнення телевізора.	<ul style="list-style-type: none"> Перевірте настройки управління живленням. Може відбуватись збій подачі живлення. Перевірте увімкнення функції автоматичного вимкнення в меню часу. Читайте розділ "Таймер сну". Якщо увімкнений телевізор не отримує сигналу, він автоматично вимкнеться через 15 хвилин бездіяльності.

Проблема	Вирішення
Відтворення зображення відбувається без звуку.	<ul style="list-style-type: none"> Натисніть кнопку Δ + або -. Натисніть кнопку MUTE, щоб перевірити, чи не вимкнено звук. Перемкніть на інший канал. Проблема може бути у якості трансляції. Перевірте належне під'єднання аудіокабелю.
Один з динаміків шумить або не подає звуку.	<ul style="list-style-type: none"> Зміни вологості приміщення або температури можуть спричинити незвичний шум під час вимкнення або увімкнення телевізора. Виріб справний.

Проблема	Вирішення
Зображення чорно-біле або низька якість кольору.	<ul style="list-style-type: none"> Налаштуйте колір у меню ЗОБРАЖЕННЯ. Дотримуйтеся достатньої відстані між виробом та іншими електронними пристроями. Перемкніть на інший канал. Проблема може бути у якості трансляції.
На екрані з'являються горизонтальні або вертикальні смуги або зображення розмиті.	<ul style="list-style-type: none"> Перевірте наявність перешкод поблизу, як-от увімкнених електричних пристроїв чи механічних інструментів.
Лінії або інші спотворення зображення	<ul style="list-style-type: none"> Перевірте під'єднання антени або спрямуйте антену в потрібний напрямок.
Після вимкнення телевізора з'являється залишкове зображення.	<ul style="list-style-type: none"> Піксели могли бути пошкоджені після відображення нерухомого зображення впродовж тривалого часу ("вигорання" зображення). Для запобігання пошкодження пікселів на екрані використовуйте заставку.
Живлення увімкнено, але на екрані не з'являється зображення.	<ul style="list-style-type: none"> Налаштуйте яскравість та контрастність в меню ЗОБРАЖЕННЯ.
На екрані з'явилось повідомлення "Немає сигналу".	<ul style="list-style-type: none"> Перевірте, чи кабель передачі сигналу під'єднано до телевізора та інших пристроїв належним чином. Перевірте вибране джерело вхідного сигналу, натиснувши кнопку INPUT.
На екрані з'являються чорні плями.	<ul style="list-style-type: none"> На екрані можуть з'являтися окремі піксели червоного, зеленого, білого або чорного кольорів, що пов'язано з індивідуальними особливостями панелі. Це нормальне явище.
Зображення зсунуте.	<ul style="list-style-type: none"> Налаштуйте розташування в меню ЗОБРАЖЕННЯ. Перевірте, чи роздільна здатність і частота відеокarti підтримуються телевізором. Якщо значення частоти виходить за межі, встановіть рекомендовану роздільну здатність, використовуючи налаштування відображення зовнішнього пристрою.
На фоні екрана з'являються тонкі лінії.	<ul style="list-style-type: none"> Перевірте під'єднання відеокабелю.
З'являється горизонтальний шум або символи розмиті.	<ul style="list-style-type: none"> Налаштуйте Фазу в меню ЗОБРАЖЕННЯ. Читайте розділ "ЕКРАН".
Поганий прийом сигналу певних каналів.	<ul style="list-style-type: none"> Перемкніть на інший канал. Проблема може бути у якості трансляції. Сигнал станції передавання може бути слабким. Спрямуйте антену в потрібний напрямок. Перевірте наявність перешкод поблизу, як-от увімкнених електричних пристроїв чи механічних інструментів.

ТЕХНІЧНІ ХАРАКТЕРИСТИКИ

МОДЕЛІ		32CS56**	42CS56**	47CS56**
		32CS560-ZD	42CS560-ZD	47CS560-ZD
Розміри (Ш x В x Г)	Разом із підставкою (мм)	795,0 x 568,0 x 207,0	1019,0 x 698,0 x 265,0	1132,0 x 762,0 x 265,0
	Без підставки (мм)	795,0 x 504,0 x 73,5	1019,0 x 631,0 x 76,5	1132,0 x 695,0 x 76,5
Вага	Разом із підставкою (кг)	9,6	15,1	19,0
	Без підставки (кг)	8,5	13,4	17,3
Живлення		змінний струм 100-240 В, 50 / 60 Гц	змінний струм 100-240 В, 50 / 60 Гц	змінний струм 100-240 В, 50 / 60 Гц
Споживання електроенергії		120 Вт	170 Вт	230 Вт

Технічні характеристики виробу, подані вище, можуть бути змінені без попереднього повідомлення у зв'язку із вдосконаленням функціональності виробу.

Відомості щодо живлення і споживання електроенергії дивіться на наклейці на виробі.

ІНФОРМАЦІЯ ПРО ПРОГРАМНЕ ЗАБЕЗПЕЧЕННЯ З ВІДКРИТИМ КОДОМ

Щоб отримати вихідний код за ліцензією GPL, LGPL, MPL чи іншими відповідними ліцензіями, який міститься у цьому виробі, відвідайте сторінку <http://opensource.lge.com>.

На додаток до вихідного коду можна завантажити усі умови відповідних ліцензій, відмови від відповідальності і повідомлення про авторські права.

Компанія LG Electronics надасть також відкритий вихідний код на компакт-диску за оплати вартості виконання такого розповсюдження (наприклад, вартості носія, пересилання і транспортування) після надсилання відповідного запиту на електронну адресу opensource@lge.com. Ця пропозиція дійсна впродовж трьох (3) років з моменту придбання продукту.

ДОДАТКОВІ ВІДОМОСТІ ЩОДО ПОСІБНИКА

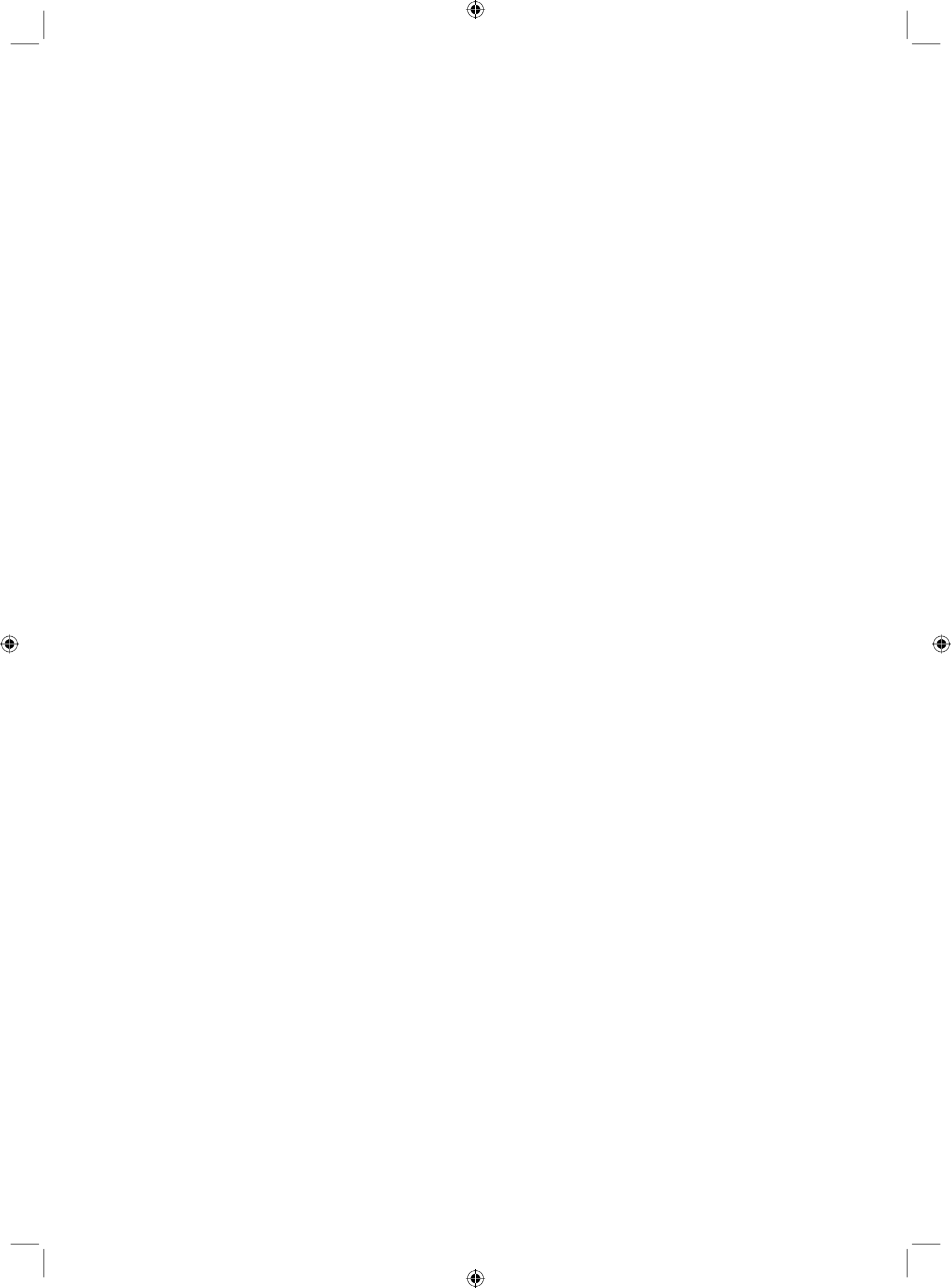
Перегляд посібника користувача

Посібник користувача надається у вигляді файлу PDF на компакт-диску. Для перегляду посібника користувача потрібно встановити на комп'ютері програму Adobe Acrobat Reader.

- 1 Вставте компакт-диск, що постачається разом із виробом.
Автоматично відкриється сторінка у веб-браузері.
- 2 Клацніть на посилання “Посібник користувача” на цій сторінці.
- 3 Відкриється посібник користувача.

! ПРИМІТКА

Якщо вікно веб-браузера не відкривається автоматично, відкрийте у провіднику розташування “Мій комп'ютер”, перейдіть на диск LG, відкрийте файл `index.htm` і відкрийте посібник користувача.





Please contact LG First.
If you have any inquiries or comments,
please contact LG customer information centre.

An extended Owner's Manual that contains information on the advanced features of these LG TV sets is located on the CD-ROM provided in an electronic version.
To read these files, you will need to use a Personal Computer (PC) equipped with a CD-ROM drive.

Record the model number and serial number of the TV.
Refer to the label on the back cover and quote this information to your dealer when requiring any service.

Model : _____

Serial No. : _____



LG Customer Information Centre			
Country	LG Service ☎	Country	LG Service ☎
Österreich	0 810 144 131	Nederland	0900 543 5454
Belgie/ Luxemburg	32 15 200255	Norge	800 187 40
		Polska	801 54 54 54
България	07001 5454	Portugal	808 78 54 54
Česká Rep.	810 555 810	România	031 228 3542
Danmark	8088 5758	Slovensko	0850 111 154
Suomi	0800 0 54 54	España	902 500 234
France	3220 dites LG ou tapez 54	Sverige	0770 54 54 54
Deutschland	01803 11 54 11	Schweiz	0848 543 543
Ελλάδα	801 11 200 900	United Kingdom	0844 847 5454
Magyarország	06 40 54 54 54	Россия	8 800 200 7676
Éire	0818 27 6955	Эстония	800 9990
Italia	199600099	Украина	0 800 303 000
Беларусь	8 820 0071 1111	Казахстан	2255
Латвия	8 0003 271	Узбекистан	800 0071 0005
Литва	8 800 30 800	Кыргызстан	

www.lg.com