



ENGLISH

# OWNER'S MANUAL

# AIR CONDITIONER

Please read this manual carefully before operating your set and retain it for future reference.

TYPE:WALL MOUNTED



P/NO.:MFL30265808

[www.lg.com](http://www.lg.com)

# TABLE OF CONTENTS

A. Safety Precautions .....	3
B. Electrical Safety .....	6
Temporary Use of an Adapter .....	6
Temporary Use of an Extension Cord .....	6
Symbols used in this Manual .....	6
C. Product Introduction .....	7
Indoor Units .....	7
Operation Indication Lamps .....	7
Outdoor Unit .....	7
D. Operating Instructions .....	8
How to insert the Batteries .....	8
Wireless Remote Controller	
Maintenance .....	8
Operating Method .....	8
Wireless Remote Controller .....	9
Operation Mode .....	9
Operation Procedure .....	9
Cooling Operation .....	10
Healthy Dehumidification	
Operation Mode .....	11
Heating Operation .....	12
Timer Control Setting .....	12
Jet Cool Operation .....	13
Energy Saving Cooling Mode(Optional) .....	13
Vertical/Horizontal Airflow Direction	
Control(Optional) .....	14
Forced operation .....	14
E. Maintenance and Service .....	16
Indoor Unit .....	16
Outdoor Unit .....	17
Operation Tips! .....	17
Troubleshooting Tips!	
Save time and money! .....	18
Call the service immediately in the following situations .....	18



## FOR YOUR RECORDS

Write the model and serial numbers here:

Model # \_\_\_\_\_

Serial # \_\_\_\_\_

You can find them on a label on the side of each unit.

Dealer's Name \_\_\_\_\_

Date Purchased \_\_\_\_\_

- Staple your receipt to this page in the event you need it to prove date of purchase or for warranty issues.



## READ THIS MANUAL

Inside you will find many helpful hints on how to use and maintain your air conditioner properly. Just a little preventive care on your part can save you a great deal of time and money over the life of your air conditioner.

You'll find many answers to common problems in the chart of troubleshooting tips. If you review our chart of Troubleshooting Tips first, you may not need to call for service at all.



## PRECAUTION

- Contact the authorized service technician for repair or maintenance of this unit.
- Contact the installer for installation of this unit.
- The air conditioner is not intended for use by young children or invalids without supervision.
- Young children should be supervised to ensure that they do not play with the air conditioner.
- When the power cord is to be replaced, replacement work shall be performed by authorized personnel only using only genuine replacement parts.



# Safety Precautions



To prevent injury to the user or other people and property damage, the following instructions must be followed.

- Incorrect operation due to ignoring instruction will cause harm or damage. The seriousness is classified by the following indications.

**⚠ WARNING** This symbol indicates the possibility of death or serious injury.

**⚠ CAUTION** This symbol indicates the possibility of injury or damage.

- Meanings of symbols used in this manual are as shown below.

	<b>Be sure not to do.</b>
	<b>Be sure to follow the instruction.</b>

## ⚠ WARNING

**Always use a power plug and socket with a ground terminal.**

- There is a risk of electric shock.

**For electrical work, contact the dealer, seller, a qualified electrician, or an Authorized Service Center. Do not disassemble or repair the product by yourself.**

- There is risk of fire or electric shock.

**Use the correctly rated breaker or fuse.**

- There is risk of fire or electric shock.

**Do not install the product on a defective installation stand. Be sure that the installation area does not deteriorate with age.**

- It may cause product to fall.

**In outdoor unit the step-up capacitor supplies high voltage electricity to the electrical components. Be sure to discharge the capacitor completely before conducting the repair work.**

- An charged capacitor can cause electrical shock.

**Do not use a defective or underrated circuit breaker. Use the correctly rated breaker and fuse.**

- There is risk of fire or electric shock .

**Always ground the product as per the wiring diagram. Do not connect the ground wire to gas or water pipes lightning rod or telephone ground wire.**

- There is risk of fire or electric shock.

**Do not modify or extend the power cable. If the power cable or cord has scratches or skin peeled off or deteriorated then it must be replaced.**

- There is risk of fire or electric shock.

**Never install the outdoor unit on a moving base or a place from where it can fall down.**

- The falling outdoor unit can cause damage or injury or even death of a person.

**When installing the unit, use the installation kit provided with the product.**

- Otherwise the unit may fall and cause severe injury.

**Do not use a multi consent. Always use this appliance on a dedicated cicuit and breaker.**

- Otherwise it can cause electric shock or fire.

**Install the panel and the cover of control box securely.**

- There is risk of fire or electric shock due to dust , water etc.

**For installation, removal or reinstall , always contact the dealer or an Authorized Service Center.**

- There is risk of fire, electric shock, explosion, or injury.

**When the product is soaked (flooded or submerged) in water , contact an Authorized Service Center for repair before using it again.**

- There is risk of fire or eletric shock.

**Be sure to use only those parts which are listed in the svc parts list. Never attempt to modify the equipment.**

- The use of inappropriate parts can cause an electrical shock, excessive heat generation or fire.

## Safety Precautions

**Indoor/outdoor wiring connections must be secured tightly and the cable should be routed properly so that there is no force pulling the cable from the connection terminals.**

- Improper or loose connections can cause heat generation or fire.

**Be sure to check the refrigerant to the used. Please read the label on the product.**

- Incorrect refrigerant used can prevent the normal operation of the unit.

**Do not place a heater or other heating appliances near the power cable.**

- There is risk of fire and electric shock.

**Do not use the product in a tightly closed space for a long time. Perform ventilation regularly.**

- Oxygen deficiency could occur and hence harm your health.

**Ventilate the product room from time to time when operating it together with a stove, or heating element etc.**

- Oxygen deficiency can occur and hence harm your health.

**Take care to ensure that nobody especially kids could step on or fall onto the outdoor unit.**

- This could result in personal injury and product damage.

**Do not plug or unplug the power supply plug to turn the unit ON/OFF .**

- There is risk of fire or electric shock.

**Safely dispose off the packing materials. Like screws, nails, batteries, broken things etc after installation or svc and then tear away and throw away the plastic packaging bags.**

- Children may play with them and cause injury.

**Don't use a power cord, a plug or a loose socket which is damaged.**

- Otherwise it may cause a fire or electrical shock.

**Do not allow water to run into electric parts. Install the unit away from water sources.**

- There is risk of fire, failure of the product, or electric shock.

**Do not open the front grille of the product during operation. (Do not touch the electrostatic filter, if the unit is so equipped.)**

- There is risk of physical injury, electric shock, or product failure.

**Turn the main power off and unplug the unit when cleaning or repairing the product.**

- There is risk of electric shock.

**Take care to ensure that power cable could not be pulled out or damaged during operation.**

- There is risk of fire or electric shock.

**Make sure to check that the power cable plug is not dirty, loose or broken and then only insert the plug completely.**

- Dirty, loose or broken power plug can cause electric shock or fire.

**Do not touch , operate, or repair the product with wet hands. Hold the plug by hand when taking out**

- There is risk of electric shock or fire.

**Do not store or use or even allow flammable gas or combustibles near the product.**

- There is risk of fire.

**If strange sounds, smell or smoke comes from product, immediately turn the breaker off or disconnect the power supply cable.**

- There is risk of electric shock or fire.

**When the product is not to be used for a long time, disconnect the power supply plug or turn off the breaker.**

- There is risk of product damage or failure, or unintended operation.

**Do not place ANYTHING on the power cable.**

- There is risk of fire or electric shock.

**When flammable gas leaks, turn off the gas and open a window for ventilation before turn the product on.**

- Do not use the telephone or turn switches on or off. There is risk of explosion or fire.

## CAUTION

**Two or more people must lift and transport the product.**

- Avoid personal injury.

**Keep level even when installing the product.**

- To avoid vibration or noise.

**Do not install the product where it will be exposed to sea wind (salt spray) directly.**

- It may cause corrosion on the product.

**Do not install the product where the noise or hot air from the outdoor unit could damage or disturb the neighborhoods.**

- It may cause a problem for your neighbors and hence dispute.

**Install the drain hose to ensure that the condensed water is drained away properly.**

- A bad connection may cause water leakage.

**Always check for gas (refrigerant) leakage after installation or repair of product.**

- Low refrigerant levels may cause failure of product.

**Do not use the product for special purposes, such as preserving foods, works of art, etc. It is a consumer air conditioner, not a precision refrigeration system.**

- There is risk of damage or loss of property.

**Do not block the inlet or outlet of air flow.**

- It may cause product failure.

**Use a soft cloth to clean. Do not use harsh detergents, solvents or splashing water etc .**

- There is risk of fire, electric shock, or damage to the plastic parts of the product.

**Do not touch the metal parts of the product when removing the air filter.**

- There is risk of personal injury.

**Do not step on or put anything on the product. (outdoor units)**

- There is risk of personal injury and failure of product.

**Always insert the filter securely after cleaning. Clean the filter every two weeks or more often if necessary.**

- A dirty filter reduces the efficiency.

**Do not insert hands or other objects through the air inlet or outlet while the product is operating.**

- There are sharp and moving parts that could cause personal injury.

**Be cautious when unpacking and installing the product.**

- Sharp edges could cause injury.

**If the refrigerant gas leaks during the repair, do not touch the leaking refrigerant gas.**

- The refrigerant gas can cause frostbite (cold burn)

**Do not tilt the unit when removing or uninstalling it.**

- The condensed water inside can spill .

**Do not mix air or gas other than the specified refrigerant used in the system .**

- If air enters the refrigerant system, an excessively high pressure results, causing equipment damage or injury.

**If the refrigerant gas leaks during the installation, ventilate the area immediately.**

- Otherwise it can be harmful for your health.

**Dismantling the unit, treatment of the refrigerant oil and eventual parts should be done in accordance with local and national standards.**

**Replace the all batteries in the remote control with new ones of the same type. Do not mix old and new batteries or different types of batteries.**

- There is risk of fire or product failure.

**Do not recharge or disassemble the batteries. Do not dispose off batteries in a fire.**

- They may burn or explode.

**If the liquid from the batteries gets onto your skin or clothes, wash it well with clean water. Do not use the remote if the batteries have leaked.**

- The chemicals in batteries could cause burns or other health hazards.

**Do not let the air conditioner run for a long time when the humidity is very high and a door or a window is left open.**

- Moisture may condense and wet or damage furniture.

**Do not expose your skin or kids or plants to the cool or hot air draft.**

- This could harm to your health.

**Do not drink the water drained from the product.**

- It is not sanitary and could cause serious health issues.

**Use a firm stool or ladder when cleaning, maintaining or repairing the product at an height.**

- Be careful and avoid personal injury.

# Electrical Safety

## **⚠ WARNING**

- This appliance must be properly grounded.  
To minimize the risk of electric shock, you must always plug into a grounded outlet.
- Do not cut or remove the grounding prong from the power plug.
- Attaching the adapter ground terminal to the wall receptacle cover screw does not ground the appliance unless the cover screw is metal and not insulated, and the wall receptacle is grounded through the house wiring.
- If you have any doubt whether the air conditioner is properly grounded, have the wall receptacle and circuit checked by a qualified electrician.

## *Temporary Use of an Adapter*

We strongly discourage the use of an adapter due to potential safety hazards. For temporary connections, use only a genuine adapter, available from most local hardware stores. Ensure that the large slot in the adapter is aligned with the large slot in the receptacle for a proper polarity connection.

To disconnect the power cord from the adapter, use one hand on each to avoid damaging the ground terminal. Avoid frequently unplugging the power cord as this can lead to eventual ground terminal damage.

## **⚠ WARNING**

- Never use the appliance with a broken adapter.

## *Temporary Use of an Extension Cord*

We strongly discourage the use of an extension cord due to potential safety hazards. For temporary situations, use only CSA certified and UL listed 3-wire grounded extension cords, rated 15 A, 125 V.

## **⚠ WARNING**

This appliance should be installed in accordance with national wiring regulations. This guide acts as a guide to help to explain product features.

## *Symbols used in this Manual*



This symbol alerts you to the risk of electric shock.



This symbol alerts you to hazards that may cause harm to the air conditioner.

## **NOTE**

This symbol indicates special notes.

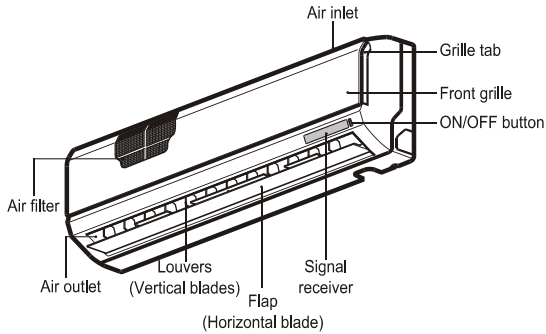
# Product Introduction

Here is a brief introduction of the indoor and outdoor units. Please see the information specific to your indoor unit type.

## Indoor Units

### Standard Split Type

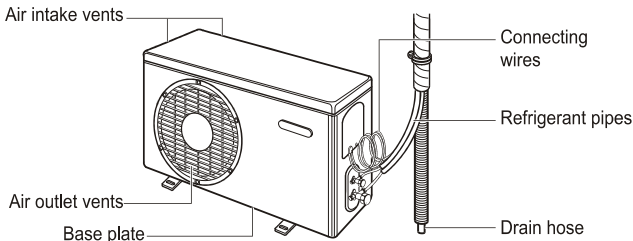
Display panel LED indicators



## Operation Indication Lamps

- ⓘ On/Off : Lights up during the system operation, error code and auto restart setting.
- ★ Sleep mode : Lights up during sleep mode auto operation.(non-Inverter Model)
- \* Defrost mode : Lights up during defrost mode or **\*hot start operation** (Heat pump model only)
- ⊕ Outdoor unit operation : Lights up during outdoor unit operation. (Cooling model only)

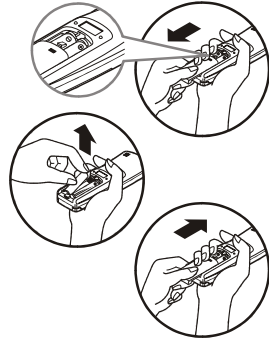
## Outdoor Unit



# Operating Instructions

## How to insert the Batteries (AAA size)

1. Remove the battery cover by pulling it according to the arrow direction.
2. Insert new batteries making sure that the (+) and (-) of battery are installed correctly.
3. Reattach the cover by sliding it back into position.

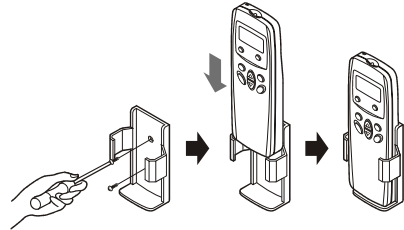


### NOTE

1. Always use/replace both batteries of same type.
2. If the system is not to be used for a long time, remove the batteries to save their working life.
3. If the display screen of remote controller starts, fading replace both of the batteries.

## Wireless Remote Controller Maintenance

1. Choose a suitable place where its safe & easy to reach.
2. Fix the holder to wall etc with the supplied screws firmly.
3. Slide the remote controller inside the holder.

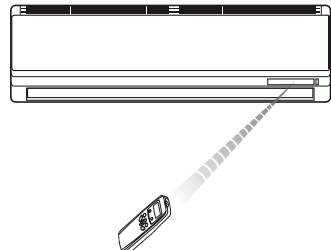


### NOTE

1. Remote controller should never be exposed to direct sunlight.
2. Signal transmitter & receiver should always be clean for proper communication. Use a soft cloth to clean them.
3. In case some other appliances also get operated with remote control, change their position or consult your serviceman.

## Operating Method

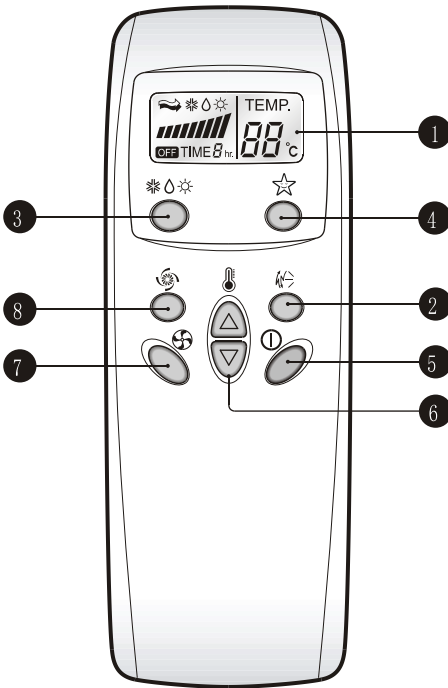
1. The signal receiver is inside the unit.
2. Aim the remote controller towards the unit to operate it. There should not be any blockage in between.





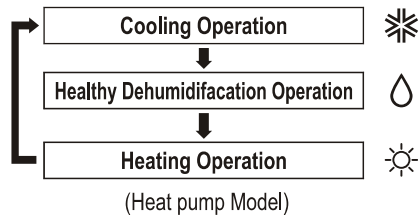
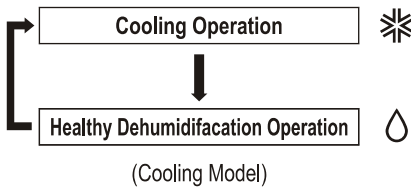
## Remote Control Operation

The remote control transmits the signals to the system.



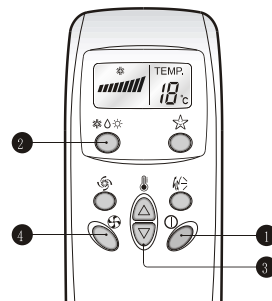
- 1 OPERATION DISPLAY**  
Displays the operation conditions.
- 2 CHAOS SWING BUTTON**  
Used to stop or start louver movement and set the desired up/down airflow direction.
- 3 OPERATION MODE SELECTION BUTTON**  
Used to select the operation mode.
- 4 OFF TIMER BUTTON**  
Used to set the time of stopping operation.
- 5 START/STOP BUTTON**  
Operation starts when this button is pressed, and stops when the button is pressed again.
- 6 ROOM TEMPERATURE SETTING BUTTONS**
- 7 INDOOR FAN SPEED SELECTION BUTTON**
- 8 JET COOL**  
Used to start or stop the speed cooling. (Speed cooling operates super high fan speed in cooling mode.)

### (1) Operation Mode

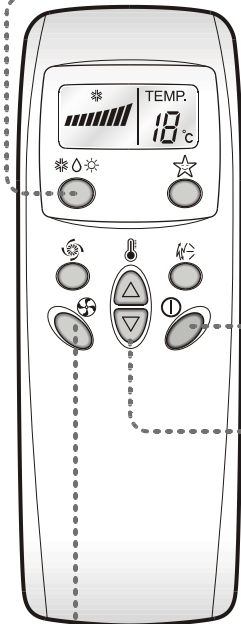


### (2) Operation PROCEDURE


- 1st** Start/Stop Button
- 2nd** Operation Mode Selection Button
- 3rd** Room Temperature Setting Button
- 4th** Indoor Fan Speed Selection Button

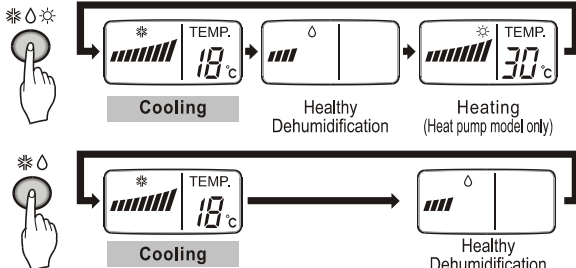


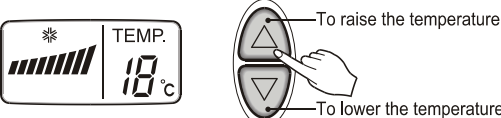
## Cooling Operation

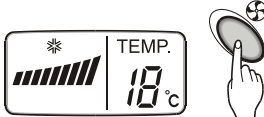


- 1 Press the Start/Stop Button.


- 2 Select Cooling Operation.  
Press the Operation Mode Selection Button.  
Each time the button is pressed, the operation mode is shifted in the arrow direction.


- 3 Set the temperature lower than the room temperature.  
• The temperature can be set within a range of 18°C ~ 30°C by 1°C.


- 4 Set the fan speed.  
• Select the fan speed in four steps-low, medium, high or CHAOS.  
• Each time the button is pressed, the fan speed mode is shifted.  
• The display shows high fan speed.



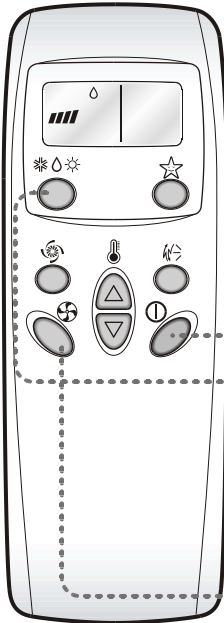
### Natural wind by the CHAOS logic

- For more fresh feeling than other fan speed, press the Indoor Fan Speed Selector and set to CHAOS mode. In this mode, the wind blows like natural breeze by automatically changing fan speed according to the CHAOS logic.



## Healthy Dehumidification Operation Mode

This mode dehumidifies without overcooling.



**1** Press the Start/Stop Button.

**2** Select Healthy Dehumidification Operation.

Press the operation Mode Selection Button. Each time the button is pressed, the operation mode is shifted in the arrow direction.

**3** You can select the fan speed in four steps-low, medium, high, or CHAOS. Each time the button is pressed, the fan speed mode is shifted.

### During Healthy Dehumidification Operation:

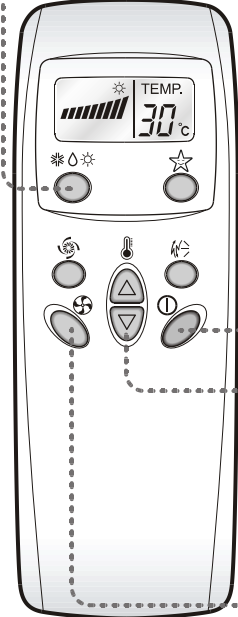
□ If you select the dehumidification mode on the operation selection button, the air conditioner starts to run the dehumidification function, automatically setting the room temp. and airflow volume to the best condition for dehumidification based on the sensed current room temp.

In this case, however, the setting temp. is not displayed in the remote control and you are not able to control the room temp. either.


□ During the healthy dehumidification function, the airflow volume is automatically set according to the optimization algorithm responding to the current room temp. status and makes the room condition healthy and comfortable even in the high humidity season.



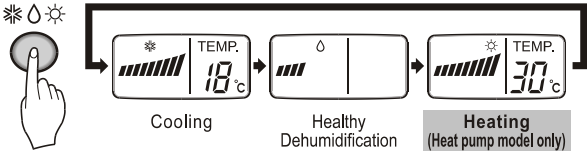
## Heating Operation(Heat pump model only)



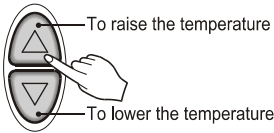
**1** Press the Start/Stop button.  
The unit will respond with a beep.




**2** To select **Heating Operation**, press the Operation Mode Selection button.  
Each time the button is pressed, the operation mode is shifted in the direction of the arrow.



**3** Set the temperature higher than the room temperature.  
The temperature can be set within a range of 16°C~30°C in 1°C increments.

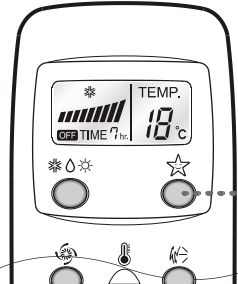


**4** Set the fan speed again with the door of the remote control still closed. You can select the fan speed in four steps—low, medium, high, or CHAOS. Each time the button is pressed, the fan speed mode is shifted.


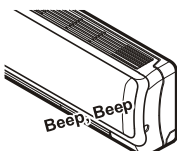



## Timer control Setting

### OFF TIMER CONTROL SETTING



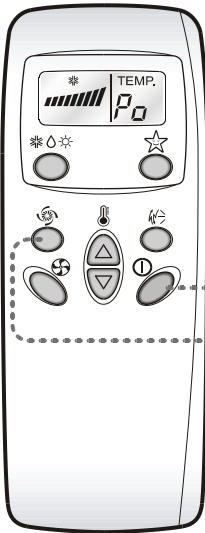
**Press the OFF Time Button.**

1. Press the OFF Time Button.
2. Check the OFF Time LED of the room air conditioner.
3. The Timer is programmed by 1 hour each pressing the OFF Time button from 1 hour to 7 hours.



## Jet Cool Operation



**1** Press the Start/Stop button.  
The unit will respond with a beep.

**2** Press the **Jet Cool** button to operate the speed cooling mode and the unit will operate in super high fan speed on cooling mode for 30 minutes.

**3** To cancel the **Jet Cool** mode, press the **Jet Cool** button again or the fan speed button or the room temperature setting button and the unit will operate in high fan speed on cooling mode.

**NOTICE**

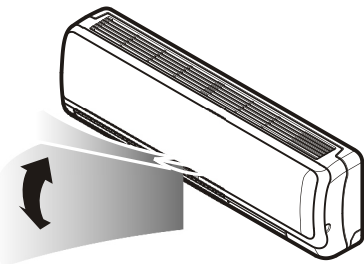
□ During the JET COOL function at any moment, the A/C starts to blow the cool air at extremely high speed for 30 minutes setting the room temp. automatically to 18°C. It is especially used to cool the room temp. in the shortest time in a hot summer. In heat pump mode the JET COOL function is not available.

□ In order to return to the normal cooling mode from the JET COOL mode, you just press either the operation mode selection button, airflow volume selection or temp. setting button or the JET COOL button again.



## Vertical Airflow Direction Control

The up/down airflow (Vertical Airflow) can be adjusted by using the remote control.



- 1 Press the Start/Stop button to start the unit.
- 2 Press Chaos Swing button and the louvers will swing up and down. Press the Chaos Swing button again to set the vertical louver at the desired airflow direction.

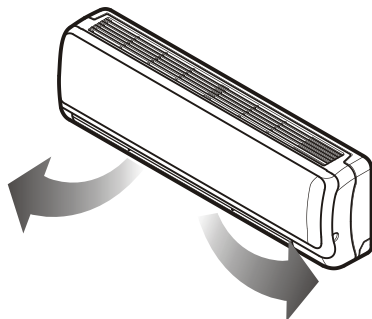
### NOTICE

- If you press the CHAOS swing button, the horizontal airflow direction is changed automatically based on the CHAOS algorithm to distribute the air in the room evenly and at the same time to make the human body feel most comfortable, as if enjoying a natural breeze.
- Always use the remote control to adjust the up/down airflow direction. Manually moving the vertical airflow direction louver by hand, could damage the air conditioner.
- When the unit is shut off, the up/down airflow direction louver will close the air outlet vent of the system.



## Horizontal Airflow Direction Control

- Adjust the horizontal airflow direction by manually moving the horizontal airflow direction louver by hand.



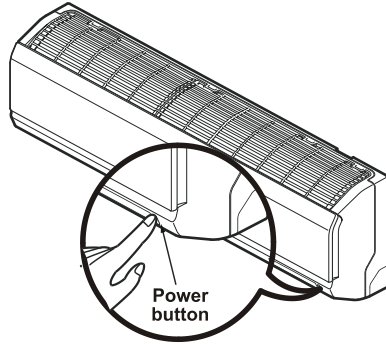
### Caution

- Ensure that the unit is turned off before adjusting the horizontal airflow direction control. Carefully open vertical louver to allow access to the horizontal airflow direction. Adjust the left/right airflow direction by hand.



## Forced Operation

Operation procedures when the remote control can't be used.  
 The operation will be started if the power button is pressed.  
 If you want to stop operation, re-press the button.



	Cooling Model	Heat pump Model		
		Room Temp. $\geq 24^{\circ}\text{C}$	$21^{\circ}\text{C} \leq$ Room Temp. $< 24^{\circ}\text{C}$	Room Temp. $< 21^{\circ}\text{C}$
Operating mode	Cooling	Cooling	Healthy Dehumidification	Heating
Indoor FAN Speed	High	High	High	High
Setting Temperature	22°C	22°C	23°C	24°C

### Test operation

During the TEST OPERATION, the unit operates in cooling mode at high speed fan, regardless of room temperature and resets in 18 minutes.  
 During test operation, if remote controller signal is received, the unit operates as remote controller sets.  
 If you want to use this operation, open the front panel upward and Press the power button let it be pressed for about 3 seconds.  
 If you want to stop the operation, re-press the button.

# Maintenance and Service

## ⚠ CAUTION

Before performing any maintenance, turn off the main power to the system, disconnect the circuit breaker and unplug the power cord.

## Indoor Unit

Clean the unit with a soft dry cloth. Do not use bleach or abrasives.

## ⚠ CAUTION

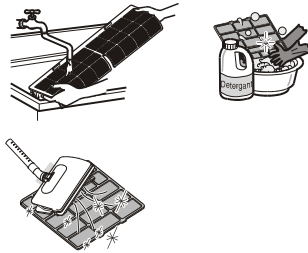
Never use any of these

- Water hotter than 40°C. It may cause deformation and discoloration.
- Volatile substances. They may damage the surface of the air conditioner.



## Air Filters

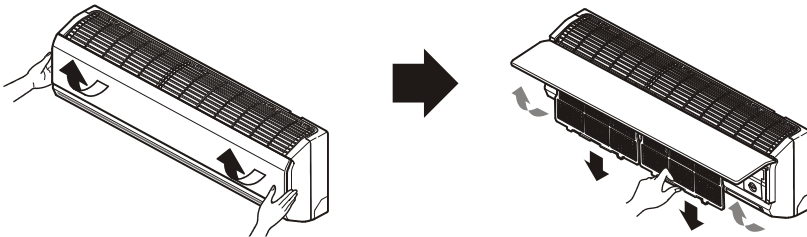
The air filters behind the front panel / grill should be checked and cleaned once in every 2 weeks or more often if necessary. To remove the filters see the self explanatory diagrams for each model type. Clean the filters with a vacuum cleaner or warm soapy water. If dirt is not easily removed, wash with a solution of detergent in luke warm water. Dry well in shade after washing and reinstall the filters back in place.



## Removal of Filters

Open the front panel as shown.

Then pull the filter tab slightly forward to remove the air filter.





## Outdoor Unit

The heat exchanger coils and panel vents of the outdoor unit should be checked regularly. If clogged with dirt or soot, the heat exchanger and panel vents may be professionally steam cleaned.

### NOTE

Dirty or clogged coils will reduce the operating efficiency of the system and cause higher operating costs.

## Operation Tips!

Do not overcool the room.

This is not good for the health and wastes electricity.

Keep blinds or curtains closed.

Do not let direct sunshine enter the room when the air conditioner is in operation.

Keep the room temperature uniform.

Adjust the vertical and horizontal airflow direction to ensure a uniform temperature in the room.

Make sure that the doors and windows are shut tight.

Avoid opening doors and windows as much as possible to keep the cool air in the room.

Clean the air filter regularly.

Blockages in the air filter reduce the airflow and lower cooling and dehumidifying effects. Clean at least once every two weeks.

Ventilate the room occasionally.

Since windows are kept closed, it is a good idea to open them and ventilate the room now and then.

Use high fan speed for effective and fast cooling.

The unit gives its rated cooling capacity when the fan speed is high.

**Troubleshooting Tips! Save time and money!**

The air conditioner may be operating abnormally when:

Problem	Possible Causes	What To Do
Air conditioner does not start	■ The air conditioner is unplugged.	• Make sure the air conditioner plug is pushed completely into the outlet.
	■ The fuse is blown/circuit breaker is tripped.	• Check the house fuse/circuit breaker box and replace the fuse or reset the breaker.
	■ Power failure.	• If power failure occurs, turn the mode control to OFF. When power is restored, wait 3 minutes to restart the air conditioner to prevent tripping of the compressor overload.
	■ High voltage.	• If the voltage is unusually very high or low the circuit Breaker will trip.
Air conditioner does not cool as it should	■ Airflow is restricted.	• Make sure there are no curtains, blinds, or furniture blocking the front of the air conditioner.
	■ The air filter is dirty.	• Clean the filter at least every 2 weeks. See the Maintenance and Service section.
	■ The room may have been hot.	• When the air conditioner is first turned on, you need to allow time for the room to cool down.
	■ Cold air is escaping.	• Check for open furnace floor registers and cold air returns.
	■ Check the temperature settings.	• Make sure they are correct.
	■ There might be any heating source in the room.	• Check and remove such source or turn it off while using the air conditioner.

**Call the service immediately in the following situations**

1. Anything abnormal such as burning smell, loud noise etc. happen. Stop the unit and turn the breaker off. Never try to repair by yourself or restart the system in such cases.
2. Main power cord is too hot or damaged.
3. Error code is generated by self diagnosis.
4. Water leaks from indoor unit even if the humidity is low.
5. Any switch, breaker (safety, earth) or fuse fails to work properly

User must carry routine checkup & cleaning to avoid unit's poor performance. In case of special situation, the job must be carried out by service person only.

# LG

## مكيف هواء الغرفة

### دليل المالك

السيد مالك الجهاز  
شكراً لاستخدامك مكيف الهواء LG  
هذا أفضل خيار لك حيث أنك ستضمن  
أفضل أداء وأفضل خدمة تجعل حياتك  
أكثر راحة وسعادة.

#### هام

- من فضلك اقرأ دليل المالك هذا بعناية قبل تركيب مكيف الهواء وتشغيله.
- احتفظ بدليل المالك هذا للاطلاع عليه لاحقاً بعد قراءته بالكامل.

# جدول المحتويات

## لسجلاتك



اكتب رقم موديل الجهاز ورقمه المسلسل هنا:

رقم الموديل

الرقم المسلسل

تستطيع التعرف عليهما من الملصق الموجود على جانب كل وحدة.

اسم الموزع

تاريخ الشراء

■ أرفق الإيصال بهذه الصفحة لاحتمال ضرورة إثبات تاريخ الشراء إن ظهرت أمور تتعلق بالضمان.

## اقرأ هذا الدليل



ستجد بالداخل الكثير من الإرشادات المفيدة بخصوص كيفية استخدام مكيف الهواء وصيانته بشكل صحيح.

فالقليل من العناية الوقائية من جهتك يكفي لتوفير الكثير من وقتك ومالك طوال فترة استخدام مكيف الهواء.

ستجد الكثير من الإجابات على المشكلات الشائعة في جدول إرشادات اكتشاف الأعطال وإصلاحها.

إن اطلعت على جدول إرشادات اكتشاف الأعطال وإصلاحها أولاً، قد لا تحتاج أبداً إلى الاتصال بمركز الخدمة.

## تنبيه



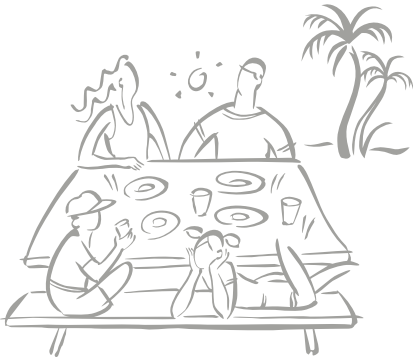
• اتصل بفني الخدمة المعتمد لإصلاح أو صيانة الجهاز.

• اتصل بفني التركيب لترتيب هذه الوحدة.

• مكيف الهواء غير مخصص للاستخدام من قبل الأطفال الصغار بدون إشراف.

• يجب مراقبة الأطفال الصغار للتأكد من عدم عبثهم بمكيف الهواء.

• عند ضرورة استبدال سلك الكهرباء، يجب أن يقوم الشخص المعتمد بعملية الاستبدال مستخدماً فقط قطع الغيار الأصلية.



أ. احتياطات السلامة ..... 3

ب. السلامة مع الكهرباء ..... 6

الاستخدام المؤقت للمحول ..... 6

الاستخدام المؤقت لسلك التمديد .. 6

الرموز المستخدمة في هذا الدليل.. 6

ج. مقدمة إلى المنتج ..... 7

الوحدات الداخلية ..... 7

مصابيح بيان العمليات ..... 7

الوحدة الخارجية ..... 7

د. تعليمات التشغيل ..... 8

كيفية تركيب البطاريات ..... 8

صيانة جهاز التحكم عن بعد

اللاسلكي..... 8

طريقة التشغيل ..... 8

جهاز التحكم عن بعد اللاسلكي .. 9

وضع التشغيل ..... 9

إرشادات التشغيل ..... 9

تشغيل التبريد ..... 10

عملية التخلص الصحي من الرطوبة ..... 11

التشغيل الآلي

تشغيل التسخين ..... 12

ضبط التحكم في ساعة التوقيت ..... 12

تشغيل التبريد السريع ..... 13

وضع التبريد الموفر للطاقة

(اختياري) ..... 13

التحكم في اتجاه تيار الهواء ..... 14

العمودي/الأفقي (اختياري)

التشغيل الإجباري ..... 14

هـ. الصيانة والخدمة ..... 16

الوحدة الداخلية ..... 16

الوحدة الخارجية ..... 17

إرشادات التشغيل! ..... 17

إرشادات اكتشاف الأعطال وإصلاحها!

توفير الوقت والمال! ..... 18

اتصل بمركز الخدمة فوراً في

المواقف التالية ..... 18

## احتياطات السلامة

لتجنب إصابة المستخدم أو أي أشخاص آخرين أو تلف الممتلكات، يجب اتباع التعليمات التالية. ■  
التشغيل غير الصحيح بسبب تجاهل التعليمات سيؤدي إلى الإصابة أو تلف الممتلكات.  
لقد تم تصنيف درجة الخطورة وفق البيان التالي.

يشير هذا الرمز إلى احتمال الوفاة أو الإصابة الخطيرة.



يشير هذا الرمز إلى احتمال الإصابة أو تلف الممتلكات.



■ المقصود بكل رمز مستخدم في هذا الدليل موضح فيما يلي.

احرص على عدم فعل ذلك



احرص على اتباع التعليمات.



### تحذير

استخدم دائماً على استخدام  
فيسه ومعفس منصل نظرف  
أرضى.

• هناك خطر الإصابة بصدمة كهربائية.

لا تستخدم معاج قاطع به حلل أو  
دون العنمه المناسبه. استخدم  
معاج قطع وفبور بعنمه صححه.

• هناك خطر وقوع حريق أو الإصابة  
بصدمة كهربائية.

بالنسبة لأعمال الكهرباء، اتصل  
بالموزع أو البائع أو الفني المختص  
أو مركز الخدمة المعتمد. لا تقم  
بفك المنتج أو إصلاحه بنفسك.

• هناك خطر وقوع حريق أو الإصابة  
بصدمة كهربائية.

لا تستخدم المشترك.  
دائماً استخدم هذا الجهاز في  
دارة ومع ومفتاح قطع منفصل خاصان به.  
• وإلا قد يؤدي ذلك إلى وقوع حريق أو  
الإصابة بصدمة كهربائية.

قم بتركيب اللوحة وغطاء صندوق  
التحكم بإحكام.

• هناك خطر وقوع حريق أو الإصابة بصدمة  
كهربائية بسبب الأتربة أو المياه أو غيرها.

تأكد دائماً بتوصيل المنتج بالأرضي وفق  
الرسم التوضيحي للأسلاك. لا تصل سلك  
الأرضي بأنايب الغاز أو المياه أو مانع  
الصواعق أو سلك الأرضي الخاص بالهاتف.

• هناك خطر وقوع حريق أو الإصابة  
بصدمة كهربائية.

بالنسبة لأعمال التركيب  
أو الإزالة أو إعادة التركيب،  
اتصل دائماً بالموزع أو مركز  
الخدمة المعتمد.

• هناك خطر وقوع حريق أو الإصابة  
بصدمة كهربائية أو الانفجار أو الجروح.

لا تقم بتعديل أو تمديد سلك الكهرباء،  
إن كانت هناك حدود على سلك  
الكهرباء، أو إن كان الغطاء متهاكاً  
أو غير موجود، عندها يلزم تغييره.

• هناك خطر وقوع حريق أو الإصابة  
بصدمة كهربائية.

في حالة أنغمار المنتج  
كليا أو جزئياً بالماء، اتصل  
بمركز الخدمة المعتمد لإصلاحه  
قبل استخدامه مرة أخرى.

• هناك خطر وقوع حريق أو الإصابة  
بصدمة كهربائية.

لا تقم أبداً بتركيب الوحدة  
الخارجية على قاعدة متحركة  
أو في مكان معرضة  
للسقوط منه.

• إن سقوط الوحدة الخارجية قد يؤدي  
إلى وقوع تلفيات أو الإصابة أو يؤدي  
إلى وفاة أي شخص.

لا تقم بتركيب المنتج على منصة  
تركيب بها حلل.  
تأكد من عدم تهاك منطقة  
التركيب بمرور الوقت.

• فقد يؤدي ذلك إلى سقوط المنتج.

تأكد من استخدام فقط القطع  
المحددة في قائمة قطع الغيار.  
لا تحاول أبداً القيام بأي تعديل  
في الجهاز.

• إن استخدام قطع غيار غير مناسبة  
قد يؤدي إلى صدمة كهربائية  
أو أنبعاث للحرارة بقدر كبير أو الحريق.

عند تركيب الوحدة، استخدم  
أدوات التركيب المرفقة مع  
المنتج.

• وإلا قد تسقط الوحدة وتتسبب في  
إصابات بالغة.

في الوحدة الخارجية بزود المكثف المكونات  
الكهربائية الأخرى بكهرباء بجهد عال.  
تأكد من تفريغ شحنة المكثف تماماً  
قبل القيام بأعمال الإصلاح.

• فالمكثف المشحون قد يؤدي إلى  
صدمة كهربائية.

تأكد من فحص كون فيشة كابل الكهرباء غير منسخة، أو غير مربوطة بإحكام أو غير مكسورة، فقط عند إدخال الفيشة بإحكام.

• فيفيشة الكهرباء المنسخة أو المكسورة أو غير المحكمة قد تتسبب في صدمة كهربائية أو حرق.

لا تلمس أو تشغل أو تصلح المنتج بأيدي مبللة.  
امسك الفييضة باليد عند إخراجها.

• هناك خطر وقوع حرق أو الإصابة بصدمة كهربائية.

لا تحتفظ أو تستعمل أو تسمح بوجود غاز قابل للاشتعال أو مواد قابلة للاحتراق بالقرب من المنتج.

• فقد يؤدي ذلك إلى حرق.

إن صدر من المنتج أصوات غريبة أو رائحة أو دخان، فم فوراً بإيقاف مفتاح القطع أو أفصل كابل التيار الكهربائي.

• هناك خطر وقوع حرق أو الإصابة بصدمة كهربائية.

في حالة عدم استخدام المنتج لفترة طويلة، يجب فصل فييضة التيار الكهربائي أو إيقاف مفتاح القطع.

• هناك خطر تلف المنتج أو توقفه عن العمل أو تشغيله بصورة غير مقصودة.

لا تضع أي شيء فوق كابل الكهرباء.

• هناك خطر وقوع حرق أو الإصابة بصدمة كهربائية.

في حالة تسرب غاز قابل للاشتعال، أفصل الغاز وافتح النوافذ لتتهوية قبل تشغيل المنتج.

• لا تستخدم الهاتف أو تشغيل أي مفتاح تشغيل.  
• فقد تتعرض لوقوع انفجار أو حرق.

التخلص الآمن من مواد التغليف. مثل البلاستيك والمسامير والبطاريات والأشياء المكسورة وغيرها بعد أعمال التركيب أو الخدمة ويجب تقطيع أكياس التغليف البلاستيكية والتخلص منها.

• قد يعيث الأطفال بتلك الأشياء وقد يؤدي ذلك إلى إصابتهم.

لا تستخدم سلك كهرباء أو فييضة أو مقبس تالف.

• وإلا قد يؤدي ذلك إلى وقوع حرق أو صدمة كهربائية.

لا تسمح بمرور الماء داخل الأجزاء الكهربائية. قم بتركيب الوحدة بعيداً عن مصادر المياه.

• هناك خطر وقوع حرق أو توقف المنتج عن العمل أو صدمة كهربائية.

لا تفتح فتحة الهواء الأمامية للمنتج أثناء التشغيل. (لا تلمس الفلتر الإلكتروني إن كان موجوداً في الوحدة).

• فقد تحدث إصابة بدنية أو صدمة كهربائية أو توقف المنتج عن العمل.

أفضل مصدر التيار الرئيسي وانزع فييضة الوحدة عند تنظيفها أو صيانتها.

• هناك خطر الإصابة بصدمة كهربائية.

أحرص على التأكد من عدم إمكانية سحب كابل الكهرباء نحو الخارج أو تلفه أثناء التشغيل.

• هناك خطر وقوع حرق أو الإصابة بصدمة كهربائية.

توصيلات الأسلاك الداخلية أو الخارجية يجب أن تربط بإحكام ويجب توجيه الكابل بشكل صحيح بحيث لا يتم استخدام القوة أثناء سحب الكابل من نقاط التوصيلات.

• فالتوصيلات غير الصحيحة أو غير المربوطة بإحكام قد تتسبب في انبعاث الحرارة أو الحرق.

تأكد من فحص المادة المستعملة في التبريد. من فضلك اقرأ الملصق الموجود على المنتج.

• فوجود مادة تبريد غير مناسبة يمنع الوحدة من العمل بشكل صحيح.

لا تضع سخان أو أي أجهزة تسخين أخرى بجوار كابل الكهرباء.

• هناك خطر وقوع حرق أو الإصابة بصدمة كهربائية.

لا تستخدم المنتج في مكان محكم الإغلاق لفترة طويلة. يجب الاهتمام بالتهوية بانتظام.

• فقد يحدث نقص في الأوكسجين ويؤثر ذلك على الصحة.

يلزم تهوية الغرفة الموجود بها المنتج من أن لآخر في حالة تشغيل المنتج في وجود موقد أو أي جهاز تسخين.

• فقد يحدث نقص في الأوكسجين ويؤثر ذلك على الصحة.

أحرص على التأكد من عدم ووفوف أي شخص خاصة الأطفال على الوحدة الخارجية أو السقوط عليها.

• فقد يؤدي ذلك إلى الإصابة أو تلف المنتج.

لا توصل أو تفصل فييضة التيار الكهربائي بهدف تشغيل الوحدة أو إيقاف تشغيلها.

• هناك خطر وقوع حرق أو الإصابة بصدمة كهربائية.

## تنبيه

قم بتركيب ظروف التصريف لتأكد من تصريف الماء المتكثف بعيداً بشكل مناسب.

• التوصيلة غير السليمة قد تؤدي إلى تسرب الماء.

أفحص دائماً تسرب الغاز (المادة المبردة) بعد تركيب المنتج أو إصلاحه.

• نقص مستوى المادة المبردة يعطل عمل المنتج.

لا تقم بتركيب المنتج في مكان معرض لرياح البحر (رذاذ ملحي) مباشرة.

• فقد يؤدي ذلك إلى تكون الصدأ على المنتج.

لا تقم بتركيب المنتج في مكان قد يؤدي الصوت أو الهواء الساخن الصادر من الوحدة الخارجية إلى تلف ممتلكات الجيران أو إزعاجهم.

• فقد تحدث مشكلات ومنازعات بينك وبين الجيران.

هذا المنتج لا بد أن يحمله شخصين أو أكثر لنقله.

• تجنب الإصابة.

احتفظ بالمستوى متساوياً عند تركيب المنتج.

• لتجنب الاهتزاز أو صدور أصوات.

<p>استعمل قطعة فماش ناعمة في التنظيف. لا تستعمل منطفات قوية أو مذيبات أو قطرات الماء وغيرهم.</p>	<p>لا تعيق أبداً مسار تيار الهواء الداخل أو الخارج.</p>	<p>لا تستعمل المنتج في أغراض خاصة، كحفظ الأغذية أو الأعمال الفنية وغيرها. فهو مكيف هواء استهلاكي وليس نظام للتبريد أو الحفظ.</p>
<p>• هناك خطر وقوع حريق أو صدمة كهربائية أو تلف القطع البلاستيكية بالمنتج.</p>	<p>• قد يعطل ذلك عمل المنتج. أو فقدانه.</p>	<p>• قد يؤدي ذلك إلى تلف المنتج أو فقدانه.</p>
<p>دائماً أدخل الفلتر بإحكام بعد تنظيفه. نظف الفلتر كل أسبوعين أو أقل إذا لزم الأمر.</p>	<p>لا تقف أو تضع أي شيء على المنتج. (الوحدات الخارجية)</p>	<p>لا تلمس القطع المعدنية بالمنتج عند نزع فلتر الهواء.</p>
<p>• الفلتر غير النظيف يقلل من كفاءة التشغيل.</p>	<p>• قد تحدث إصابة أو تعطل المنتج عن العمل.</p>	<p>• فقد يؤدي ذلك إلى إصابات.</p>
<p>إن تسرب غاز التبريد أثناء أعمال الإصلاح، لا تلمس غاز التبريد المنسرب.</p>	<p>كن حذراً عند إخراج المنتج من التغليف وتركيبه.</p>	<p>لا تدخل يديك أو أي أشياء أخرى خلال فتحات دخول أو خروج الهواء أثناء تشغيل المنتج.</p>
<p>• قد يتسبب غاز التبريد قزمة الصقيع (عضة الجليد)</p>	<p>• قد تتسبب الجواف الحادة في وقوع إصابات.</p>	<p>• هناك قطع حادة ومتحركة قد تؤدي إلى إصابتك.</p>
<p>إن تسرب غاز التبريد أثناء التركيب، يجب تهوية المنطقة فوراً. • وإلا قد يضر ذلك بالصحة.</p>	<p>لا تخلط بين هواء أو غاز بخلاف مادة التبريد المحدد المستخدم في النظام.</p>	<p>لا تميل الوحدة عند فك تركيبها. • فقد ينسكب الماء المتكثف بالداخل.</p>
<p>• إذا دخل الهواء داخل نظام التبريد، سينتج عن ذلك ضغط عالي للغاية يتسبب في تلف الجهاز أو الإصابة.</p>	<p>استبدل كل البطاريات الموجودة في جهاز التحكم عن بعد بأخرى جديدة من نفس النوع. لا تجمع بين البطاريات القديمة والجديدة أو بين أنواع مختلفة من البطاريات.</p>	<p>عملية فك الجهاز ومعالجة زيت التبريد والتعامل مع القطع الداخلية لا بد أن يتم وفق المقاييس المحلية والوطنية.</p>
<p>لا تعد شحن البطاريات أو فكها. لا تتخلص من البطاريات في النار.</p>	<p>• هناك خطر وقوع حريق أو تعطل المنتج عن العمل.</p>	<p>• عملية فك الجهاز ومعالجة زيت التبريد والتعامل مع القطع الداخلية لا بد أن يتم وفق المقاييس المحلية والوطنية.</p>
<p>• فقد تحترق أو تنفجر.</p>	<p>لا تسمح بتشغيل مكيف الهواء لفترة طويلة حينما تكون درجة الرطوبة عالية وقد ترك الباب أو النافذة مفتوحاً.</p>	<p>• إن لامس السائل الخارج من البطاريات جلدك أو ملابسك، اغسله جيداً بماء نظيف. لا تستعمل جهاز التحكم عن بعد إن حدث تسرب في البطاريات.</p>
<p>• قد يؤدي ذلك لصحتك.</p>	<p>لا تعرض جلدك أو الأطفال أو النباتات لتيار هواء بارد أو ساخن.</p>	<p>• المواد الكيماوية داخل البطاريات قد تتسبب في حرقك أو مخاطر صحية أخرى.</p>
<p>• قد تتكثف الرطوبة وتبلل أو تلف الأثاث.</p>	<p>لا تستعمل كرسي أو سلم قوي عند تنظيف أو صيانة أو إصلاح المنتج إن كان في مكان مرتفع.</p>	<p>لا تشرب الماء الخارج من المنتج. • فهو غير صحي وقد يؤدي إلى مشكلات صحية.</p>
<p>• كن حذراً وتجنب الإصابة.</p>	<p>• قد تتسبب الرطوبة وتبلل أو تلف الأثاث.</p>	<p>• إن لامس السائل الخارج من البطاريات جلدك أو ملابسك، اغسله جيداً بماء نظيف. لا تستعمل جهاز التحكم عن بعد إن حدث تسرب في البطاريات.</p>

## السلامة مع الكهرباء

### ⚠ تحذير

- يجب توصيل هذا الجهاز بالأرضي.
- لتقليل احتمال خطر الصدمات الكهربائية، عليك دائماً التوصيل بمصدر تيار موصل بالأرضي.
- لا تقطع أو تنزع طرف الأرضي من فيشة التيار الكهربائي.
- إن توصيل طرف الأرضي للمحول ببرغي غطاء مقبس الحائط لا يوصل الجهاز بالأرضي إلا إذا كان برغي الغطاء مصنوع من المعدن وغير معزول وكان مقبس الحائط موصل بالأرضي عبر أسلاك المنزل.
- إن كان لديك أي شك بشأن توصيل مكيف الهواء بالأرضي، استدع فني متخصص لفحص مقبس الحائط والدائرة.

### الاستخدام المؤقت للمحول

نحن لا نشجع أبداً استعمال المحول بسبب احتمال وقوع المخاطر. بالنسبة للتوصيلات المؤقتة، استعمل فقط محولاً أصلياً، وهو متوفر في أكثر محلات الأجهزة الكهربائية. تأكد من أن الفتحة الكبيرة بالمحول ماذية للفتحة الكبيرة في المقبس ليتم التوصيل بنجاح. لفصل سلك الكهرباء من المحول، استعمل يد واحدة على كل واحد لتجنب إتلاف طرف الأرضي. تجنب فصل سلك التيار بشكل متكرر لأن ذلك يؤدي تلف طرف الأرضي.

### ⚠ تحذير

- لا تستعمل الجهاز أبداً مع محول مكسور.

### الاستخدام المؤقت لسلك التمديد

نحن لا نشجع أبداً استعمال أي تمديد للسلك بسبب احتمال وقوع مخاطر. في الحالات المؤقتة، استعمل تمديدات الأسلاك المرخصة من قبل CSA و من النوع UL listed 3-wire والتي تبلغ قيمتها 15 أمبير، 125 فولت.

### ⚠ تحذير

يجب تركيب هذا الجهاز وفق قوانين تركيب الأسلاك المحلية. يعمل هذا الكتيب كدليل ليساعدك في فهم خصائص المنتج.

### الرموز المستخدمة في هذا الدليل

هذا الرمز ينبهك إلى وجود خطر صدمة كهربائية.



هذا الرمز ينبهك إلى مخاطر قد تؤدي مكيف الهواء.



هذا الرمز يشير إلى ملاحظات خاصة

**ملاحظة**

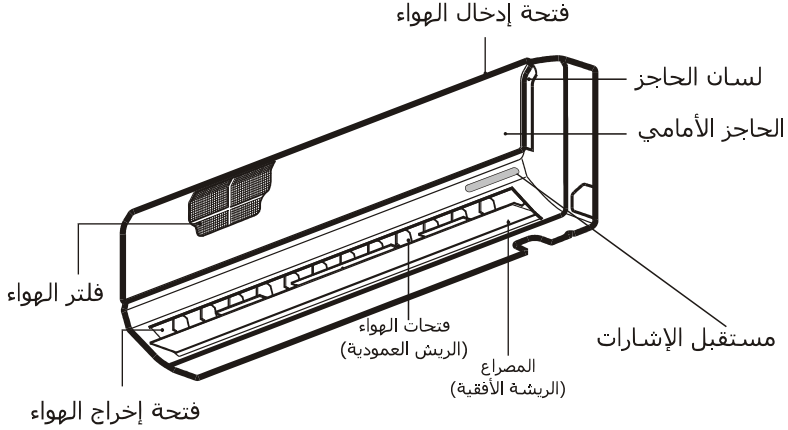


## مقدمة عن المنتج

هذه مقدمة موجزة للوحدات الداخلية والخارجية. من فضلك راجع المعلومات الخاصة بنوع الوحدة الداخلية الخاصة بك.

### الوحدات الداخلية

النوع المنقسم التقليدي  
مصباح بيان لوحة العرض



### مصباح بيان التشغيل

تشغيل/إيقاف : يضيء أثناء تشغيل النظام، وكود الخطأ، وإعدادات إعادة التشغيل الآلي.



وضع النوم : يضيء أثناء تشغيل وضع النوم الآلي.



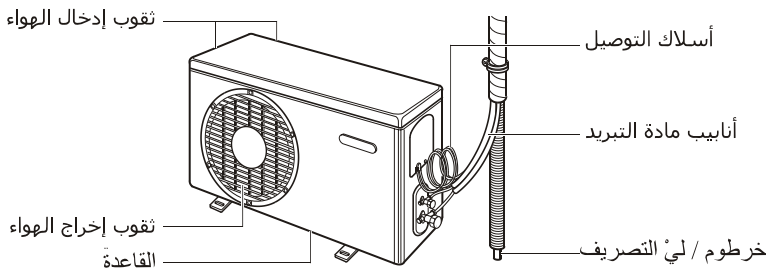
وضع إزالة الصقيع : يضيء أثناء وضع إزالة الصقيع أو \*البداية الساخنة (موديل مضخة الحرارة فقط)



تشغيل الوحدة الخارجية : يضيء أثناء تشغيل الوحدة الخارجية. (موديل التبريد فقط).

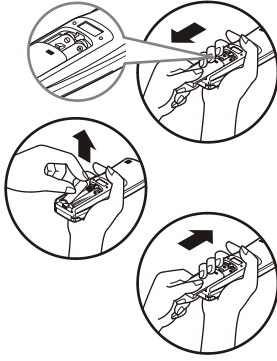


### الوحدة الخارجية



## تعليمات التشغيل

### كيفية إدخال البطاريات (AAA)

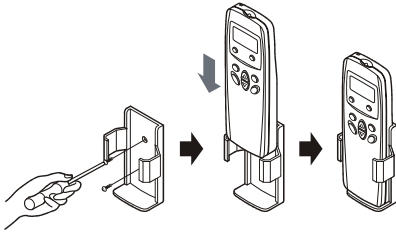


1. انزع خطاء البطارية بسحبه في اتجاه السهم.
2. أدخل بطاريات جديدة وتأكد من صحة وضع قطبي البطارية (+) و(-).
3. أعد تركيب الغطاء بدفعه إلى موضعه.

### ملاحظة

1. دائماً استخدم/استبدل بطاريتين من نفس النوع.
2. إن كنت لن تستخدم النظام لفترة طويلة، انزع البطاريتين لتحتفظ بعمرهما الافتراضي.
3. إن بدأت شاشة عرض جهاز التحكم عن بعد في الخبو، استبدل البطاريتين.

### صيانة جهاز التحكم عن بعد اللاسلكي



1. اختر مكاناً مناسباً آمناً يسهل الوصول إليه.

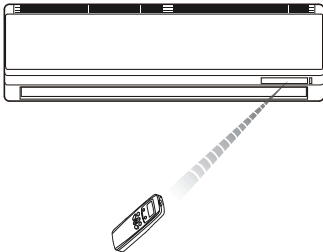
2. ثبت الحامل بإحكام بالحائط باستعمال البراغي المرفقة.

3. أدخل جهاز التحكم عن بعد داخل الحامل.

### ملاحظة

1. يجب ألا يتعرض جهاز التحكم عن بعد إلى ضوء الشمس المباشر.
2. يجب أن يظل مستقبل ومرسل الإشارات نظيفين كي يعملان بكفاءة. استعمل قطعة قماش ناعمة لتنظيفهما.
3. قد تجد أحياناً أن هناك أجهزة أخرى تعمل أيضاً بنفس جهاز التحكم عن بعد، عليك تغيير مكان هذه الأجهزة أو اتصل بمندوب الخدمة.

### طريقة التشغيل



1. مستقبل الإشارات داخل الوحدة.

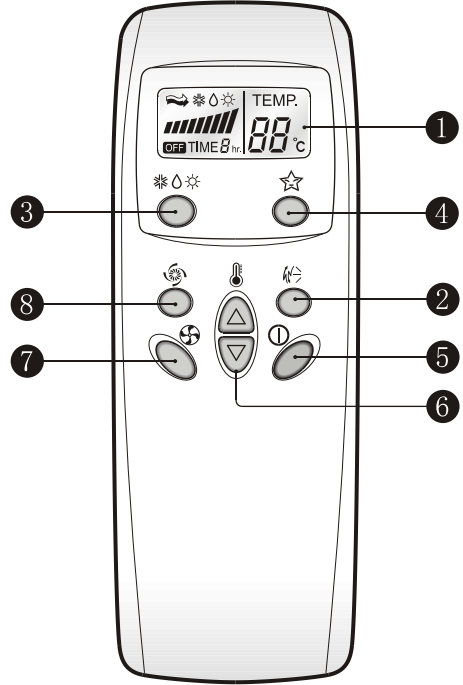
2. وجه جهاز التحكم عن بعد نحو الوحدة لتشغيلها.

- يجب ألا يكون هناك أي عائق بين جهاز التحكم والوحدة.

## تشغيل جهاز التحكم عن بعد

جهاز التحكم عن بعد يرسل إشارات إلى النظام.

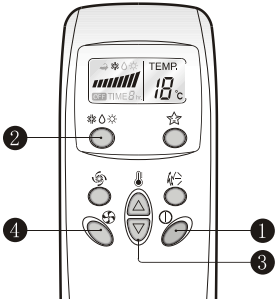
- 1 **عرض التشغيل**  
يعرض حالات التشغيل.
- 2 **زر تشغيل/ إيقاف توجيه تيار الهواء**  
يستخدم في إيقاف أو تشغيل حركة فتحة التهوية وضبط اتجاه تيار الهواء إلى الأعلى/الأسفل
- 3 **زر اختيار وضع التشغيل**  
يستخدم في اختيار وضع التشغيل.
- 4 **زر ساعة توقيت الإيقاف**  
يستخدم في ضبط توقيت إيقاف التشغيل.
- 5 **زر التشغيل/الإيقاف**  
يبدأ التشغيل عند ضغط هذا الزر، ويبدأ التوقف عند الضغط على هذا الزر ثانية.
- 6 **أزرار ضبط درجة حرارة الغرفة**
- 7 **زر اختيار سرعة المروحة الداخلية**
- 8 **التبريد السريع**  
يستخدم في تشغيل أو إيقاف التبريد السريع.  
(يعمل التبريد السريع على تشغيل السرعة القصوى للمروحة أثناء وضع التبريد.)



### (1) وضع التشغيل



### (2) إجراءات التشغيل



**الأول** زر التشغيل/الإيقاف

**الثاني** زر اختيار وضع التشغيل

**الثالث** زر ضبط درجة حرارة الغرفة

**الرابع** زر اختيار سرعة المروحة الداخلية

## تشغيل التبريد



1 اضغط زر التشغيل/الإيقاف.

2 اختر تشغيل التبريد. اضغط زر اختيار وضع التشغيل. في كل مرة تضغط فيها الزر، يتغير وضع التشغيل في اتجاه السهم.

3 اضغط الحرارة على درجة أقل من درجة حرارة الغرفة. يمكن ضبط درجة الحرارة داخل النطاق من 18 درجة مئوية إلى 30 درجة مئوية بخطوات قدرها درجة مئوية واحدة.

4 اضغط سرعة المروحة. اختر إحدى سرعات المروحة الأربعة المتاحة - منخفض، متوسط، عالي، أو متغير. في كل مرة تضغط فيها على الزر، يتغير وضع سرعة المروحة. شاشة العرض تظهر سرعة المروحة العالية.

## الرياح الطبيعية بالأسلوب المتغير

□ للحصول على إحساس أكثر انتعاشاً بدلاً من سرعات المروحة الأخرى، اضغط زر اختيار سرعة المروحة الداخلية واضبطه على الوضع المتغير CHAOS. في هذا الوضع، يتحرك الهواء كنسمة طبيعية وذلك حينما تتغير سرعة المروحة طبقاً للأسلوب المتغير.

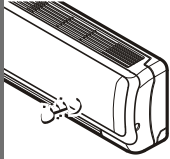
## وضع التشغيل الصحي بالتخلص من الرطوبة



هذا الوضع يعمل على التخلص من الرطوبة دون الحاجة إلى زيادة التبريد.

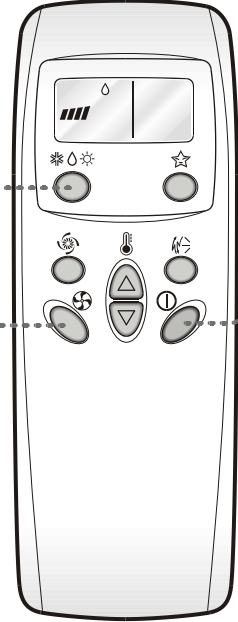
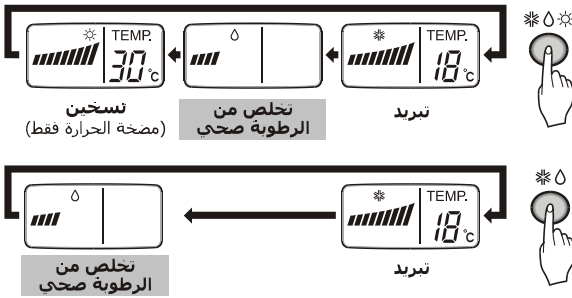
1 اضغط زر التشغيل/الإيقاف.

1



2 اختر التشغيل الصحي بالتخلص من الرطوبة.  
اضغط زر اختيار وضع التشغيل.  
في كل مرة تضغط فيها على الزر، يتغير وضع التشغيل باتجاه السهم.

2



3 يمكنك اختيار إحدى سرعات المروحة الأربعة المتاحة - منخفض، متوسط، عالي، أو متغير. في كل مرة تضغط فيها على الزر، يتغير وضع سرعة المروحة.

3



### أثناء التشغيل الصحي بالتخلص من الرطوبة:

- إن اخترت وضع التخلص من الرطوبة تم خلال زر اختيار التشغيل، سيبدأ مكيف الهواء وظيفة التخلص من الرطوبة، ويضبط درجة حرارة الغرفة تلقائياً وحجم تيار الهواء في أفضل وضع يناسب عملية التخلص من الرطوبة في درجة حرارة الغرفة الحالية.
- في هذه الحالة، يتم عرض درجة الحرارة التي تم ضبطها في جهاز التحكم عن بعد ولن تتمكن من التحكم في درجة حرارة الغرفة.
- أثناء التشغيل الصحي بالتخلص من الرطوبة، يتم تلقائياً ضبط حجم تيار الهواء لتحقيق أفضل وضع استجابة لدرجة حرارة الغرفة الحالية وبالتالي تصبح حالة الغرفة صحية ومريحة حتى خلال فصول السنة التي تتسم بالرطوبة.

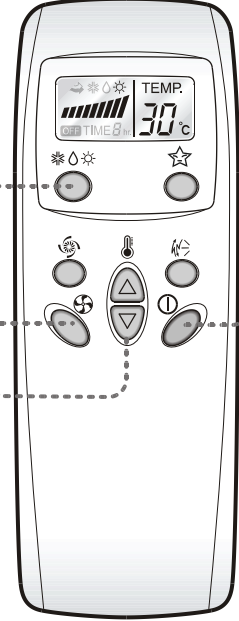
## تشغيل التسخين (موديل مضخة الحرارة فقط)



- 1 اضغط زر التشغيل/الإيقاف. ستستجيب الوحدة بأن تصدر صوتاً.
- 2 لاختيار تشغيل التسخين، اضغط زر اختيار وضع التشغيل. في كل مرة تضغط فيها على الزر، يتغير وضع التشغيل باتجاه السهم.
 

TEMP. 30°C		TEMP. 18°C
تسخين (مضخة الحرارة فقط)	تخلص من الرطوبة صحي	تبريد
- 3 اضبط الحرارة على درجة أعلى نم درجة حرارة الغرفة. يمكن ضبط درجة الحرارة داخل النطاق ما بين 16 درجة مئوية إلى 30 درجة مئوية بخطوات قدرها درجة واحدة.
 

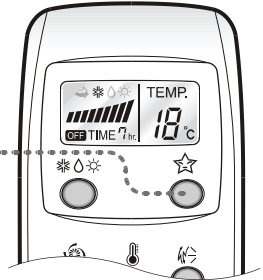
لرفع درجة الحرارة	لخفض درجة الحرارة
-------------------	-------------------
- 4 اضغط سرعة المروحة ثانية أثناء الاحتفاظ بباب جهاز التحكم عن بعد مغلقاً. يمكنك اختيار إحدى سرعات المروحة الأربعة المتاحة - منخفض، متوسط، عالي، متغير. في كل مرة تضغط فيها على الزر، يتغير وضع سرعة المروحة.



## ضبط التحكم في ساعة التوقيت



- 1 اضغط زر توقيت الإيقاف.
- 2 تأكد من مصباح توقيت الإيقاف في مكيف الهواء الغرفة.
- 3 تتم برمجة ساعة التوقيت بمقدار ساعة واحدة في كل مرة تضغط فيها على الزر من ساعة إلى 7 ساعات.



## تشغيل التبريد السريع

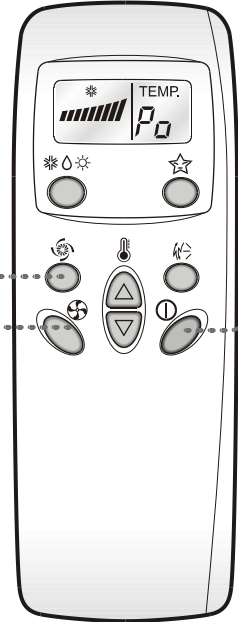


1 اضغط زر التشغيل/الإيقاف.  
ستستجيب الوحدة بإصدار صوتاً.



2 اضغط زر **التبريد السريع** لتشغيل نمط التبريد السريع، وستعمل الوحدة بسرعة مروحة قصوى في وضع التبريد لمدة 30 دقيقة.

3 لإلغاء وضع التبريد السريع، اضغط زر **التبريد السريع** ثانية أو زر سرعة المروحة أو زر ضبط درجة حرارة الغرفة وستعمل الوحدة في وضع سرعة المروحة العالية في وضع التبريد.



## التحكم في اتجاه تيار الهواء العمودي



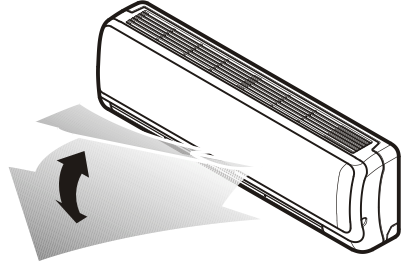
## ملاحظة

يمكن تعديل اتجاه تيار الهواء إلى الأعلى أو إلى الأسفل (تيار الهواء العمودي) باستخدام جهاز التحكم عن بعد.

□ إن ضغطت زر التحرك CHAOS، سيتغير اتجاه الهواء الأفقي تلقائياً طبقاً لقواعد التحرك المتغير لتوزيع الهواء داخل الغرفة بالتساوي وبالتالي يشعر جسم الإنسان بالراحة وكأنه يستمتع بالنسيمات الطبيعية.

□ استعمل دائماً جهاز التحكم عن بعد لتعديل اتجاه تيار الهواء إلى الأعلى أو إلى الأسفل.  
إن تحريك فتحات اتجاه تيار الهواء العمودي بواسطة اليد قد يتسبب في تلف مكيف الهواء.

□ عند إغلاق الوحدة، فإن فتحة تيار الهواء إلى الأعلى وإلى الأسفل ستغلق فتحة إخراج الهواء.



1 اضغط زر التشغيل/الإيقاف.

2 اضغط زر التحكم في اتجاه تيار الهواء وستتحرك فتحات التهوية العمودية إلى الأعلى وإلى الأسفل تلقائياً.

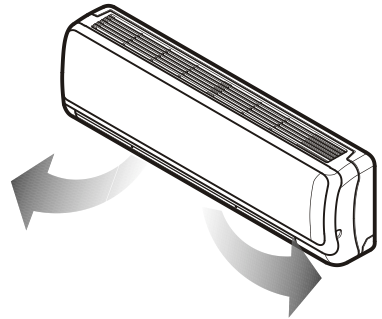
## التحكم في اتجاه تيار الهواء الأفقي



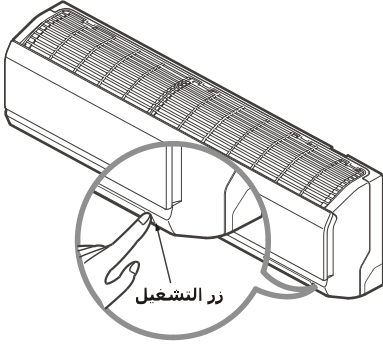
• قم بتعديل اتجاه تيار الهواء الأفقي عن طريق تحريك فتحة اتجاه تيار الهواء الأفقية يدوياً بواسطة اليد.

## تنبيه

- استعمل دائماً جهاز التحكم عن بعد لتعديل اتجاه تيار الهواء. أن حاولت تحريك فتحة اتجاه تيار الهواء يدوياً بواسطة اليد، فقد تتسبب في وقوع مشاكل في التشغيل.
- عند إيقاف تشغيل مكيف الهواء، ستغلق فتحة اتجاه تيار الهواء فتحة التهوية لمكيف الهواء.







## التشغيل سابق الضبط



خطوات التشغيل في حالة عدم استخدام جهاز التحكم عن بعد. سيبدأ التشغيل بعد ضغط زر التشغيل.

إن أردت إيقاف التشغيل، اضغط الزر ثانية.

موديل مضخة الحرارة			موديل التبريد	وضع التشغيل
حرارة الغرفة > 21°م	21°م ≤ حرارة الغرفة > 24°م	حرارة الغرفة ≤ 24°م		
تسخين	التخلص من الرطوبة الصحي	تبريد	تبريد	وضع التشغيل
عالي	عالي	عالي	عالي	سرعة المروحة الداخلية
24°م	23°م	22°م	22°م	ضبط درجة الحرارة

### تشغيل الاختبار

أثناء تشغيل الاختبار، تعمل الوحدة في وضع التبريد بسرعة المروحة العالية، بصرف النظر عن درجة حرارة الغرفة، وتوقف عن العمل بعد 18 دقيقة.

أثناء تشغيل الاختبار، إن تم استقبال إشارة نم جهاز التحكم عن بعد، ستعمل الوحدة طبقاً لضبط جهاز التحكم عن بعد.

إن أردت استخدام هذا الوضع، افتح اللوحة الأمامية إلى الأعلى ثم اضغط زر التشغيل واستمر في الضغط لمدة 3 ثواني.

وإن أردت إيقاف التشغيل، أعد ضغط الزر.

# الصيانة والخدمة

## ⚠ تنبيه

قبل القيام بأي عمليات صيانة، افصل التيار الرئيسي عن النظام، وافصل مفتاح القطع وسلك الكهرباء.

## الوحدة الداخلية

نظف الوحدة باستعمال قطعة فماش ناعمة وجافة. لا تستعمل المبيضات أو المواد الكاشطة.

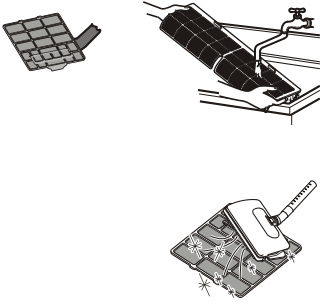


## ⚠ تنبيه

- لا تستخدم أبداً مما يلي
- الماء بدرجة حرارة أعلى من 40 مئوية. فقد يؤدي ذلك إلى تغيير في الشكل واللون.
- المواد المتطايرة. فقد تلف سطح مكيف الهواء.

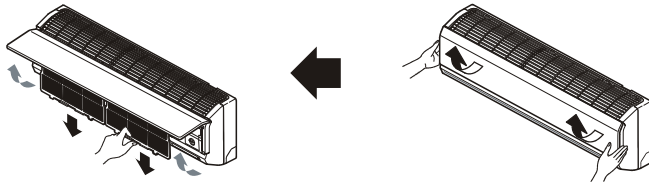
## فلاتر الهواء

فلاتر الهواء الموجودة خلف اللوحة الأمامية أو الحاجز الأمامي يجب فحصها وتنظيفها مرة كل أسبوعين على الأقل إذا لزم الأمر. لنزع الفلاتر انظر الرسومات التوضيحية الخاصة بكل موديل. نظف الفلاتر باستخدام المكنسة الكهربائية أو ماء دافئ به صابون. إن لم يسهل إزالة الأوساخ، استعمل محلول أو منظف وماء دافئ. جفف الفلاتر جيداً في مكان ظليل بعد غسلها ثم أعد تركيبها في مكانها.



## النوع المنفصل التقليدي

افتح اللوحة الأمامية كما هو موضح. ثم اسحب لسان الفلتر برفق إلى الأمام لنزع فلتر الهواء.



## الوحدة الخارجية

يجب فحص الأنابيب الملتفة للمبادل الحراري وفتحات الهواء باللوحة الأمامية بانتظام. إن كانت مسدودة بالأوساخ أو الأتربة، يجب تنظيف المبادل الحراري وفتحات هواء اللوحة البخار بشكل محترف.

### ملاحظة

الأنابيب الملتفة المتسخة أو المسدودة تقلل من كفاءة تشغيل النظام وتتسبب في رفع تكلفة التشغيل.

## إرشادات التشغيل

### أبق حرارة الغرفة متجانسة.

قم بتعديل اتجاه تيار الهواء الأفقي والعمودي لتضمن تجانس درجة الحرارة بالغرفة.

### احتفظ بالستائر مغلقة.

لا تسمح بدخول ضوء الشمس المباشر إلى الغرفة أثناء تشغيل مكيف الهواء.

### لا تفرط في تبريد الغرفة.

هذا ليس جيداً للصحة ويزيد استهلاك الكهرباء.

### استخدم سرعة المروحة العالية للوصول إلى تبريد سريع وفعال.

الوحدة تعطي سعة التبريد المقررة لها حينما تكون المروحة بأعلى سرعة.

### قم بتهوية الغرفة كلما دعت الضرورة.

لأن النوافذ تظل مغلقة، فمن الأفضل فتحها لتهوية الغرفة من أن لأخر.

### نظف فلتر الهواء بانتظام

فأي انسدادات في فلتر الهواء تقلل تيار الهواء وكفاءة التبريد وتأثير التخلص من الرطوبة. نظفه مرة واحدة كل أسبوعين على الأقل.

### تأكد من إغلاق الأبواب والنوافذ بإحكام.

تجنب فتح الأبواب والنوافذ بقدر المستطاع للاحتفاظ بالهواء البارد داخل الغرفة.

## إرشادات اكتشاف الأعطال وإصلاحها! وفر الوقت والمال!

قد يكون مكيف الهواء لا يعمل بصورة طبيعية حينما:

المشكلة	الأسباب المحتملة	ماذا يجب أن تفعل
مكيف الهواء لا يعمل.	■ مكيف الهواء غير موصول بالكهرباء.	• تأكد من دفع فيشة مكيف الهواء تماماً نحو المقبس.
	■ انفجر الفيوز/توقف مفتاح القطع.	• افحص فيوز المنزل/صندوق مفتاح القطع واستبدل الفيوز أو أعد ضبط مفتاح القطع.
	■ انقطاع التيار.	• إن انقطع التيار الكهربائي، أدر مفتاح التحكم في وضع التشغيل إلى OFF. عند عودة التيار، انتظر 3 دقائق قبل إعادة تشغيل مكيف الهواء لتجنب مشكلة زيادة العبء على الضاغط.
مكيف الهواء لا يبرد بالشكل المطلوب.	■ الفولت عالي.	• إن كان الفولت عالي أو منخفض بشكل غير طبيعي، سيتوقف مفتاح القطع.
	■ فلتر الهواء متسخ.	• تأكد من عدم وجود سنائر أو أثاث يعيق المنطقة أمام مكيف الهواء.
مكيف الهواء لا يبرد بالشكل المطلوب.	■ فلتر الهواء متسخ.	• نظف الفلتر مرة كل أسبوعين على الأقل. راجع قسم الصيانة والخدمة.
	■ قد تكون الغرفة حارة.	• عند تشغيل مكيف الهواء لأول مرة، ستحتاج إلى أن تنتظر لبعض الوقت كي تبرد الغرفة.
	■ الهواء البارد يتسرب.	• تأكد من وجود فتحات مفتوحة بالأرضيات وعودة تيار الهواء البارد.
	■ افحص إعدادات درجة الحرارة.	• تأكد من صحتها.
	■ قد يكون هناك أي مصدر للحرارة بالغرفة.	• تأكد من إزالة هذا المصدر أو إغلاقه أثناء تشغيل مكيف الهواء.

## اتصل بمركز الخدمة فوراً في الحالات التالية

1. أي شيء يحدث غير طبيعي مثل رائحة احتراق، صوت عال أو غيره. أوقف تشغيل الوحدة وأوقف مفتاح القطع. لا تحاول إصلاح العطل بنفسك أو تحاول إعادة تشغيل النظام في هذه الحالات.
2. سلك التيار الرئيسي ساخن جداً أو تالف.
3. هناك كود خطأ ناتج عن التشخيص الذاتي.
4. الماء يتسرب من الوحدة الداخلية حتى بعد انخفاض نسبة الرطوبة.
5. أي مفتاح تحويل أو مفتاح قطع (أمان أو أرضي) أو فيوز لا يعمل بشكل صحيح.

يجب أن يقوم المستخدم بالفحص والتنظيف الدوري لتجنب احتمال الأداء الضعيف للوحدة. في الحالات الخاصة، يجب أن يقوم مسؤول الخدمة فقط بالمهمة.