



OWNER'S MANUAL

LG KOMPRESSOR PLUS VACUUM CLEANER

This information contains important instructions for the safe use and maintenance of the vacuum cleaner. Especially, please read all of the information on page 3, 4, 5 for your safety. Please keep this manual in an easily accessible place and refer to it anytime.

VK9820**



MFL57001330

www.lg.com

Table of contents

Important safety instructions	3~5
How to use	6
Assembling vacuum cleaner	6~7
Operating vacuum cleaner	8
Using carpet and floor nozzle / hard floor nozzle	9
Using mini turbine nozzle / all floor nozzle	10
Cleaning all floor nozzle	11
Using accessory nozzles	12
Emptying dust tank	13
Cleaning dust tank	14
Dust separator cleaning	15
Cleaning air filter and motor safety filter	16
Cleaning exhaust filter	17
Check before requesting for service	18
What to do if your vacuum cleaner does not work	19
What to do when suction performance decreases	19

IMPORTANT SAFETY INSTRUCTIONS

Read and follow all instructions before using your vacuum cleaner to prevent the risk of fire, electric shock, personal injury, or damage when using the vacuum cleaner. This guide does not cover all possible conditions that may occur. Always contact your service agent or manufacturer about problems that you do not understand. This appliance complies with the following EC Directives :-2006/95/EC Low Voltage Directive -2004/108/EC EMC Directive.



This is the safety alert symbol.

This symbol alerts you to potential hazards that can kill or hurt you and others.

All safety messages will follow the safety alert symbol and either the word "WARNING" or "CAUTION."

These words mean:



WARNING

This symbol will alert you to hazards or unsafe practices which could cause serious bodily harm or death.



CAUTION

This symbol will alert you to hazards or unsafe practices which could cause bodily injury or property damage.



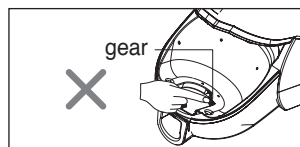
WARNING

1. This appliance is not intended for use by persons (including children) with reduced physical, sensory or mental capabilities, or lack of experience and knowledge, unless they have been given supervision or instruction concerning use of the appliance by a person responsible for their safety.
2. Children should be supervised to ensure that they do not play with the appliance.
3. If the supply cord is damaged, it must be replaced by LG Electronics Service Agent in order to avoid a hazard
4. This appliance can be used by children aged from 8 years and above and persons with reduced physical, sensory or mental capabilities or lack of experience and knowledge if they have been given supervision or instruction concerning use of the appliance in a safe way and understand the hazards involved. Children shall not play with the appliance. Cleaning and user maintenance shall not be made by children without supervision.

IMPORTANT SAFETY INSTRUCTIONS

WARNING

- **Do not plug in if control knob is in the ON position.**
Personal injury or product damage could result.
- **Keep children away and beware of obstructions when rewinding the cord to prevent personal injury**
The cord moves rapidly when rewinding.
- **Disconnect electrical supply before servicing or cleaning the unit or when cleaner is not in use.**
Failure to do so could result in electrical shock or personal injury.
- **Do not use vacuum cleaner to pick up anything that is burning or smoking such as cigarettes, or hot ashes.**
Doing so could result in death, fire or electrical shock.
- **Do not vacuum flammable or explosive substances such as gasoline, benzene, thinners, propane (liquids or gases).**
The fumes from these substances can create a fire hazard or explosion. Doing so could result in death or personal injury.
- **Do not handle plug or vacuum cleaner with wet hands.**
Doing so could result in death or electrical shock.
- **Do not unplug by pulling on cord.**
Doing so could result in product damage or electrical shock. To unplug, grasp the plug, not the cord.
- **Keep hair, loose clothing, fingers, and all parts of the body away from openings and moving parts.**
Failure to do so could result in electrical shock or personal injury.
- **Do not pull or carry by cord, use cord as a handle, close a door on cord, or pull cord around sharp edges or corners. Do not run vacuum cleaner over cord. Keep cord away from heated surfaces.**
Failure to do so could result in electrical shock or personal injury or fire or product damage.
- **The hose contains electrical wires. Do not use it if it is damaged, cut or punctured.**
Failure to do so could result in death, or electrical shock.
- **Do not allow to be used as toy. Close attention is necessary when used by or near children.**
Personal injury or product damage could result.
- **Do not use the vacuum cleaner if the power cord or plug is damaged or faulty.**
Personal injury or product damage could result. In these cases, contact LG Electronics Service Agent to avoid hazard.
- **Do not use vacuum cleaner if it has been under water.**
Personal injury or product damage could result. In these cases, contact LG Electronics Service Agent to avoid hazard.
- **Do not continue to vacuum if any parts appear missing or damaged.**
Personal injury or product damage could result. In these cases, contact LG Electronics Service Agent to avoid hazard.
- **Do not use an extension cord with this vacuum cleaner**
Fire hazard or product damage could result.
- **Using proper voltage.**
Using improper voltage may result in damage to the motor and possible injury to the user. Proper voltage is listed on the bottom of vacuum cleaner.
- **Turn off all controls before unplugging.**
Failure to do so could result in electrical shock or personal injury.
- **Do not change the plug in any way.**
Failure to do so could result in electrical shock or personal injury or product damage. Doing so result in death. If plug does not fit, contact a qualified electrician to install the proper outlet.
If the supply cord is damaged, it must be replaced by the manufacturer, its service agent or similarly qualified persons in order to avoid a hazard.
- **Repairs to electrical appliances may only be performed by qualified service engineers.**
Improper repairs may lead to serious hazards for the user.
- **Do not put fingers near the gear.**
Failure to do so could result in personal injury.



IMPORTANT SAFETY INSTRUCTIONS

CAUTION

- **Do not put any objects into openings.**
Failure to do so could result in product damage.
- **Do not use with any opening blocked: keep free of dust, lint, hair, and anything that may reduce air flow.**
Failure to do so could result in product damage.
- **Do not use vacuum cleaner without dust tank and/or filters in place.**
Failure to do so could result in product damage.
- **Always clean the dust bin after vacuuming carpet cleaners or fresheners, powders and fine dust.**
These products clog the filters, reduce airflow and can cause damage to the cleaner. Failure to clean the dust bin could cause permanent damage to the cleaner.
- **Do not use vacuum cleaner to pick up sharp hard objects, small toys, pins, paper clips, etc.**
They may damage the cleaner or dust bin.
- **Store the vacuum cleaner indoors.**
Put the vacuum cleaner away after use to prevent tripping over it.
- **The vacuum cleaner is not intended to use by young children or infirm people without supervision.**
Failure to do so could result in personal injury or product damage.
- **Only use parts produced or recommended by LG Electronics Service Agents.**
Failure to do so could result in product damage.
- **Use only as described in this manual. Use only with LG recommended or approved attachments and accessories.**
Failure to do so could result in personal injury or product damage.
- **To avoid personal injury and to prevent the machine from falling when cleaning stairs, always place it at the bottom of stairs.**
Failure to do so could result in personal injury or product damage.
- **Use accessory nozzles in sofa mode.**
Failure to do so could result in product damage.
- **Don't grasp the tank handle when you are moving the vacuum cleaner.**
The vacuum cleaner's body may fall when separating tank and body. Personal injury or product damage could result. You should grasp the carrier handle when you are moving the vacuum cleaner. (Page 13)
- **Make sure the filters (exhaust filter and motor safety filter) are completely dry before replacing in the machine.**
Failure to do so could result in product damage.
- **Do not dry the filter in an oven or microwave.**
Failure to do so could result in fire hazard.
- **Do not dry the filter in a clothes dryer.**
Failure to do so could result in fire hazard.
- **Do not dry near an open flame.**
Failure to do so could result in fire hazard.
- **Do not use filters that are not dried.**
- **If the power cord is damaged, it must be replaced by an approved LG Electronics Service Agent to avoid a hazard.**
- **This appliance is not intended for use by persons (including children) with reduced physical, sensory or mental capabilities, or lack of experience and knowledge, unless they have been given supervision or instruction concerning use of the appliance by a person responsible for their safety.**
Children should be supervised to ensure that they do not play with the appliance.

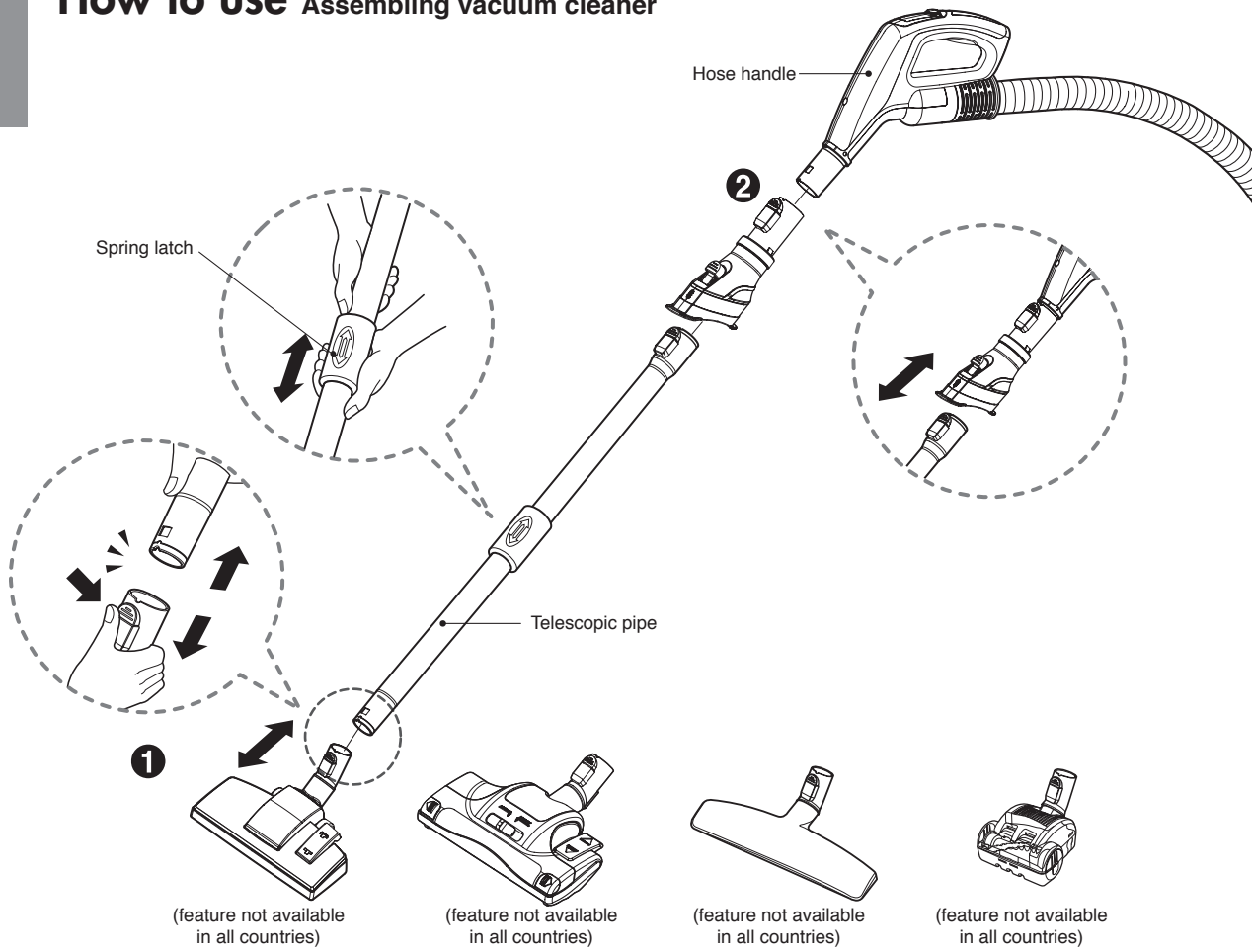
Thermal protector :

This vacuum cleaner has a special thermostat that protects the vacuum cleaner in case of motor overheating. If the vacuum cleaner suddenly shuts off, turn off the switch and unplug the vacuum cleaner. Check the vacuum cleaner for possible source of overheating such as a full dust tank, a blocked hose or clogged filter. If these conditions are found, fix them and wait at least 30 minutes before attempting to use the vacuum cleaner. After the 30 minute period, plug the vacuum cleaner back in and turn on the switch. If the vacuum cleaner still does not run, contact the manufacturer for user support.

NOTE

This Vacuum is not intended for commercial applications. It must only be used for normal indoor domestic home applications. It must only be used for dry vacuuming.

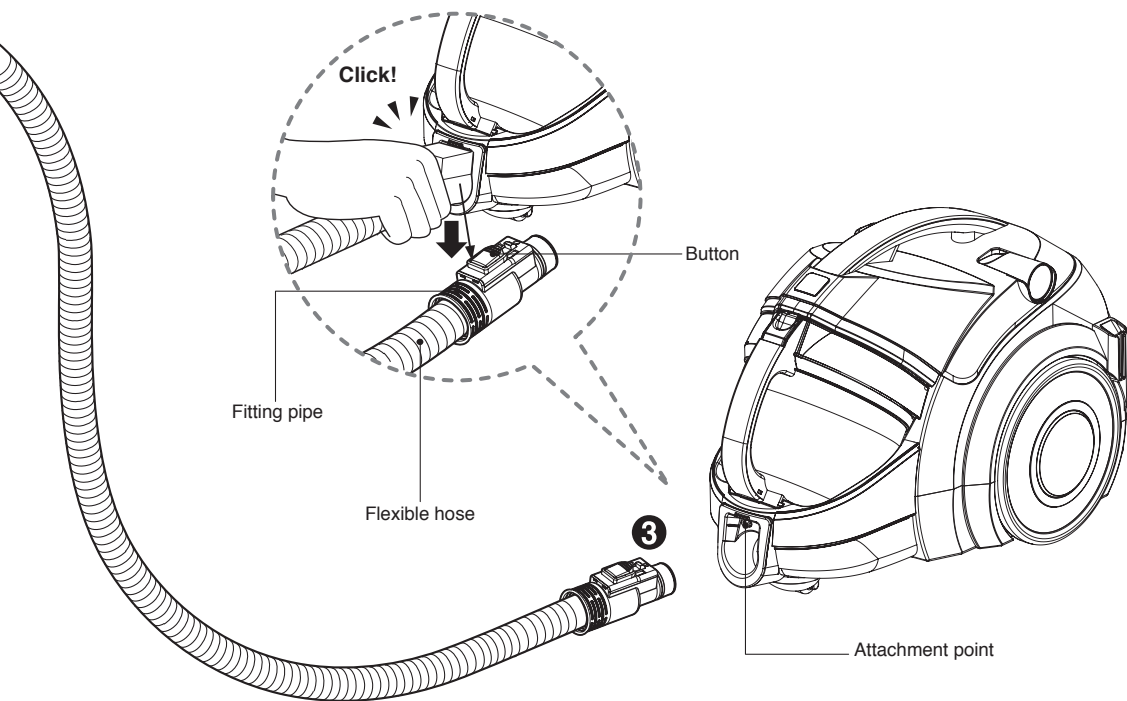
How to use Assembling vacuum cleaner



1 Carpet and floor nozzle (feature not available in all countries) 2 Telescopic pipe

Push the nozzle into the telescopic pipe..

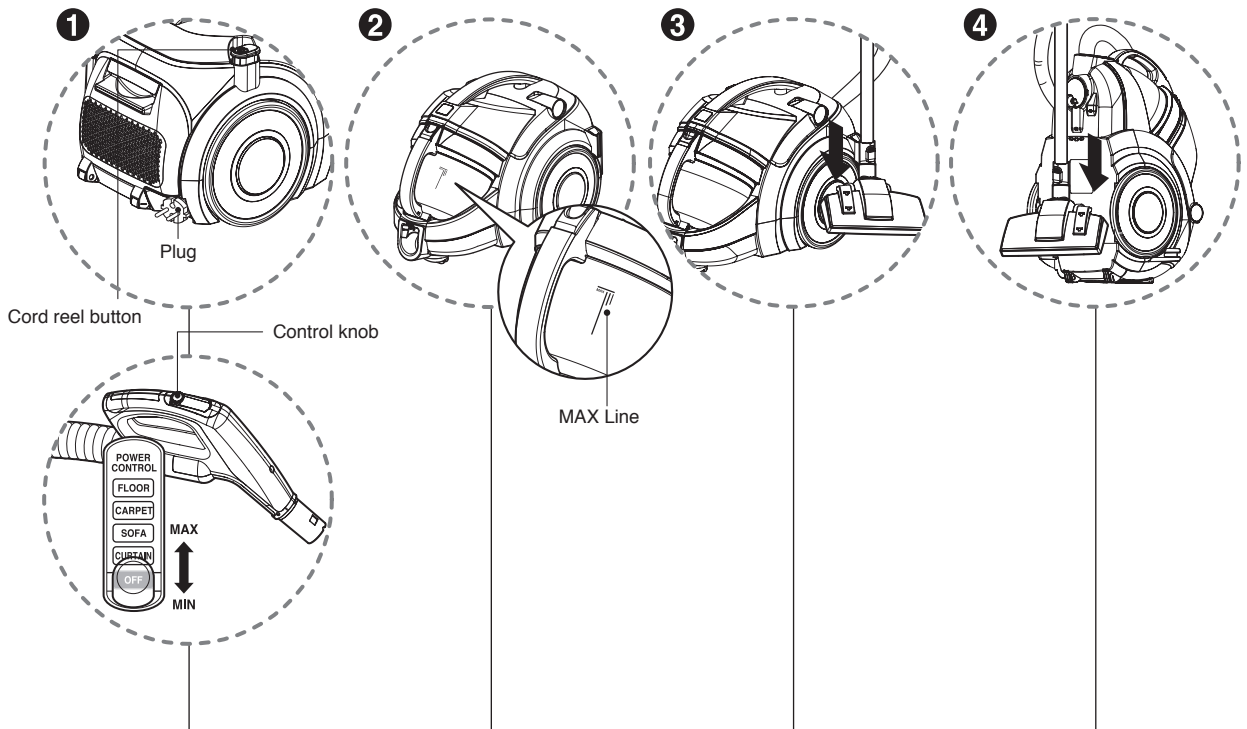
- Push telescopic pipe firmly into hose handle.
- Grasp the spring latch to expand.
- Pull out the pipe to desired length.



3 Connecting the hose to the vacuum cleaner

Push the fitting pipe on the flexible hose into the attachment point on the vacuum cleaner. To remove the flexible hose from the vacuum cleaner, press the button situated on the fitting pipe, then pull the fitting pipe out of the vacuum cleaner.

How to use Operating vacuum cleaner



1 How to operate

- Pull out the power cord to the desired length and plug into the socket.
- Place the control knob of the hose handle to the required position.
- To turn off, slide control knob to OFF position.
- Press the cord reel button to rewind the power cord after use.
- The Power cord is marked with a yellow and red band marker. The yellow is a warning band that the cord should not be pulled out any further, and the red band means to stop extending the cord as it is at the end of its length.

2 Emptying the dust tank

- Always empty the dust tank when the dust tank level reaches the MAX line.

3 Park mode

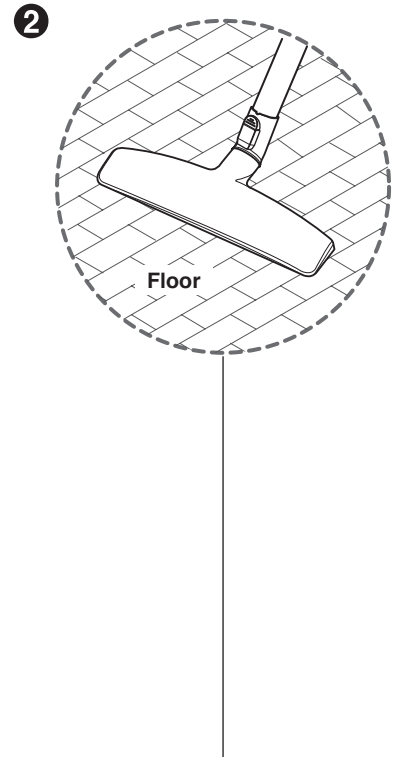
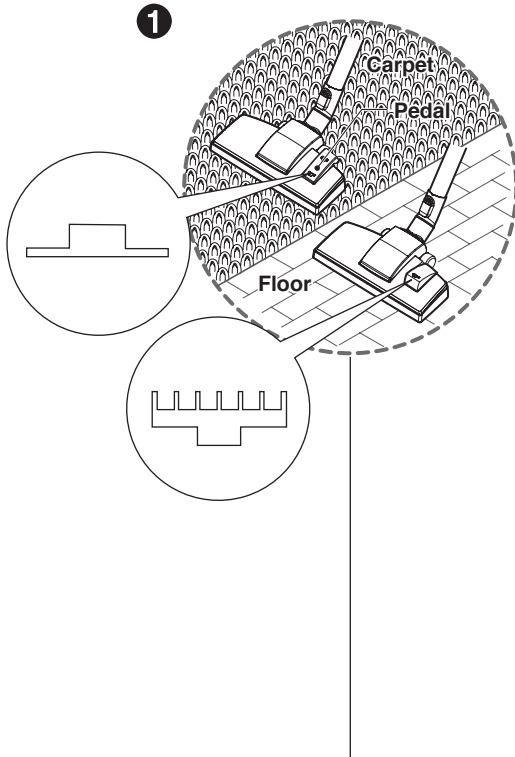
- To store during vacuuming, for example to move a small piece of furniture or a rug, use park mode to support the flexible hose and nozzle. - Slide the hook on the nozzle into the slot on the side of vacuum cleaner.

4 Storage

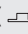
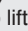
- When you have switched off and unplugged the vacuum cleaner, hold down the cord reel button to automatically rewind the cord.
- You can store your vacuum cleaner in a vertical position by sliding the hook on the nozzle into the slot on the underside of the vacuum cleaner.

How to use

Using carpet and floor nozzle / hard floor nozzle



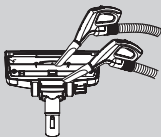
1 Carpet and floor nozzle (feature not available in all countries)

- **The 2 position nozzle** This is equipped with a pedal which allows you to alter its position according to the type of floor to be cleaned.
- **Carpet or rug position** press the pedal () to lower brush.
- **Hard floor position** (tiles, parquets floor)
Press the pedal () Press the pedal to lift the brush up.

2 Hard floor nozzle (feature not available in all countries)

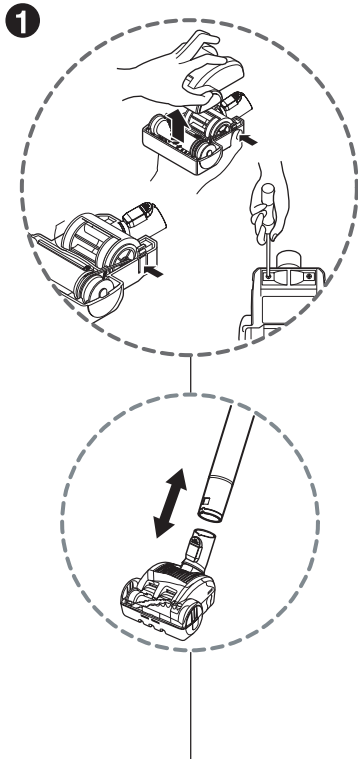
- Efficient cleaning of hard floors (wood, linoleum, etc)

• Cleaning carper and floor nozzle



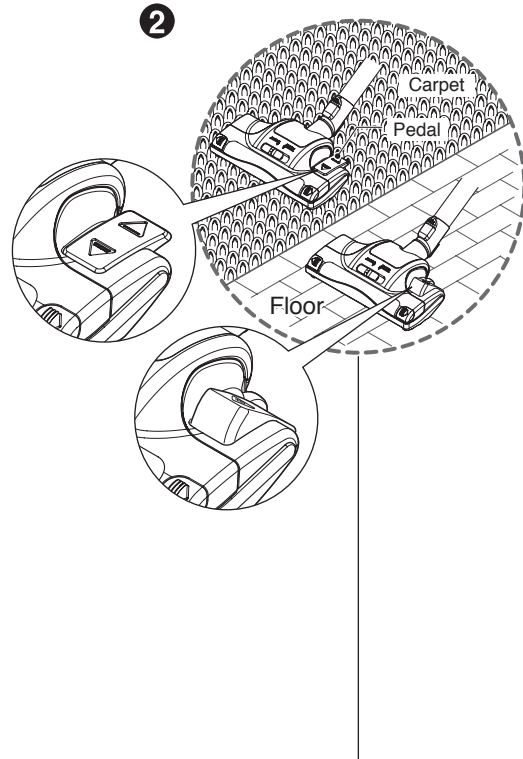
- Clean the hole and brush of the nozzle.

How to use Using mini turbine nozzle / all floor nozzle

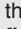



1 Mini turbine nozzle
(feature not available in all countries)

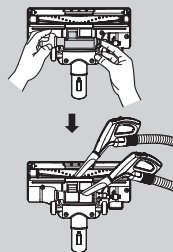
- Mini turbine is used for stairs and other hard to reach places.
- To clean the mini turbine nozzle, remove the nozzle cover : Remove 2 screws on the bottom and take mini turbine nozzle cover off as shown.
- Frequently clean and remove hair, string, and lint build-up in the brush area. Failure to do so could damage the mini turbine nozzle.



2 All floor nozzle
(feature not available in all countries)

- **The 2 position nozzle**
This is equipped with a pedal which allows you to alter its position according to the type of floor to be cleaned.
- **Carpet or rug position**
Press the pedal (), then brush will rotate
- **Hard floor position**
Press the pedal (), then brush will stop rotating

• Cleaning all floor nozzle



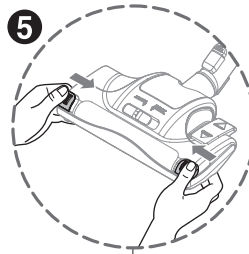
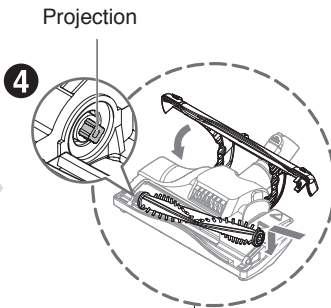
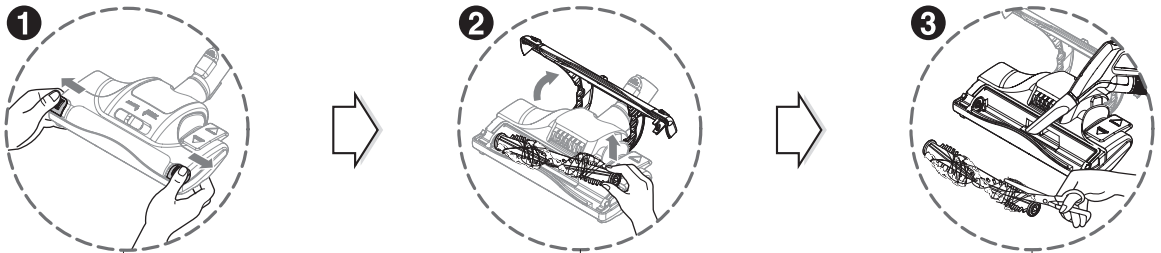
- Open the cover by pulling the hook.
- Clean the hole and brush of the nozzle.

How to use Cleaning all floor nozzle

CAUTION


Personal injury hazard.

Always unplug the vacuum cleaner before cleaning. Failure to do so could result in personal injury.



1 Push the lever outside.

2 Open the cover and put up the brush.

 Do not touch the brush because the brush is so hot after turning off the vacuum cleaner.

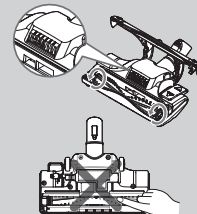
3 Clean the brush and nozzle.

4 Push the brush into the projection, put down the brush and close the cover.

5 Push the lever inside.

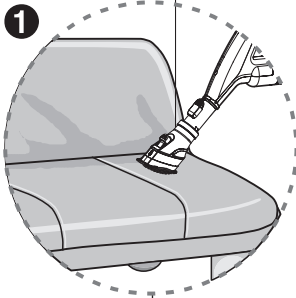
CAUTION

- Do not block up the hole by hand or another object (paper, fabric, stockings, etc) when open the cover.
- Do not touch the brush when nozzle is overturned.

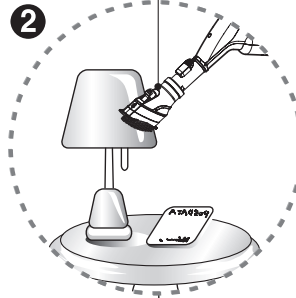


How to use Using accessory nozzles

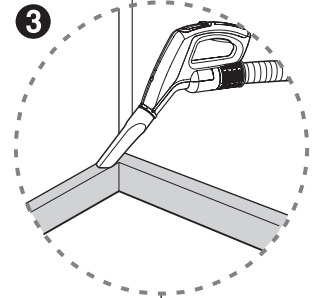
Upholstery nozzle



Dusting brush



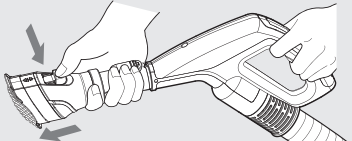
Crevice tool



1 Upholstery nozzle

Upholstery nozzle is for vacuuming upholstery, mattresses etc.

Push the button

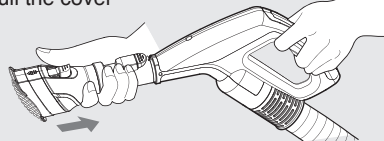


<Upholstery nozzle mode>

2 Dusting brush

Dusting brush is for vacuuming picture frames, furniture frames, books and other irregular surfaces.

Pull the cover



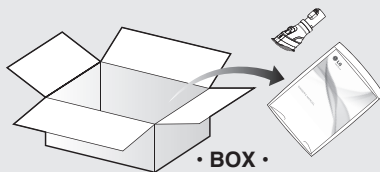
<Dusting brush mode>

3 Crevice tool

Crevice tool is for vacuuming in those normally hard-to-reach places such as reaching cobwebs or between the cushions of a sofa.

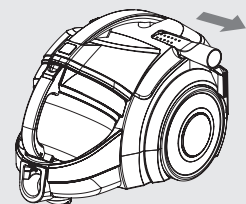
NOTICE

Use accessory in the sofa mode



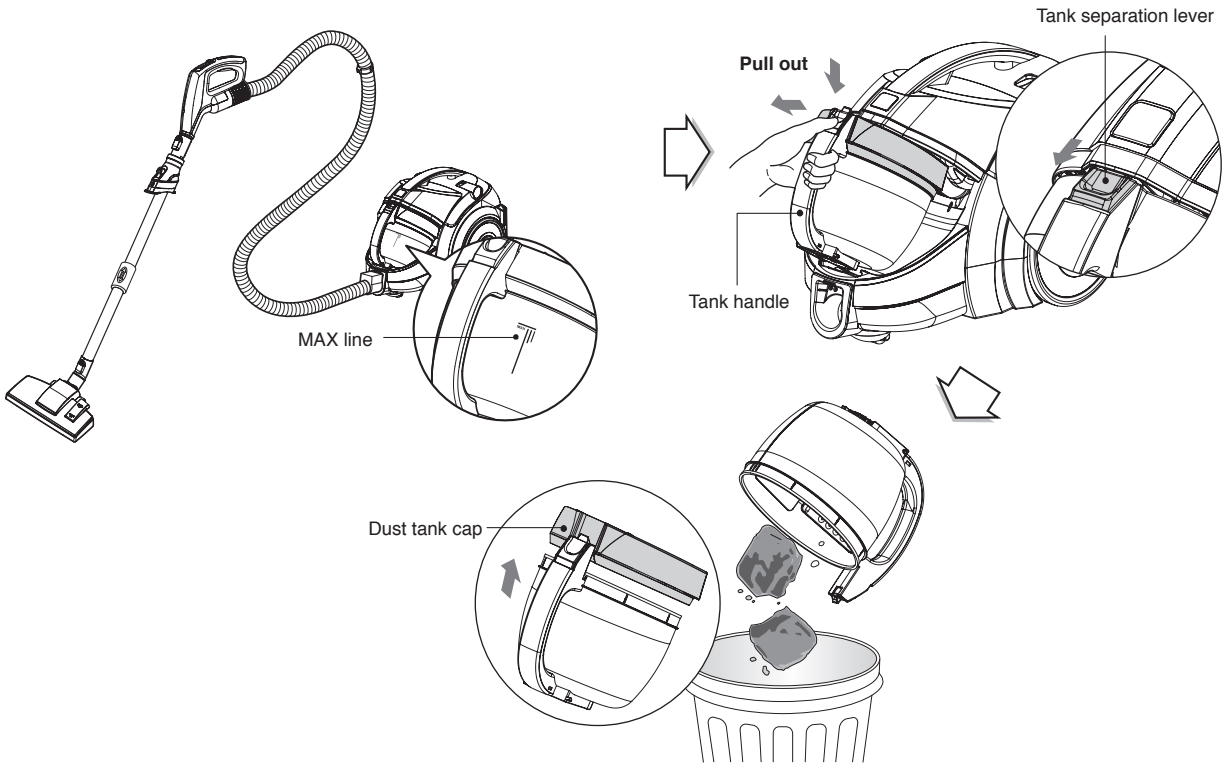
• BOX •

• Accessory nozzles included in the "BOX" with owner's manual.



• Crevice tool included in the vacuum cleaner body.

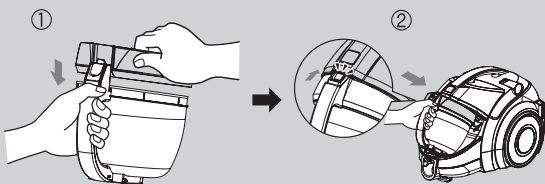
How to use Emptying dust tank



The dust tank needs emptying when the dust tank level reaches the MAX line.

- Turn off the vacuum cleaner and unplug it.
- Grasp the handle of the tank and then press the tank separation button.
- Pull out the dust tank.
- Empty the tank and then assemble the dust tank as shown.

Assembling dust tank



NOTICE

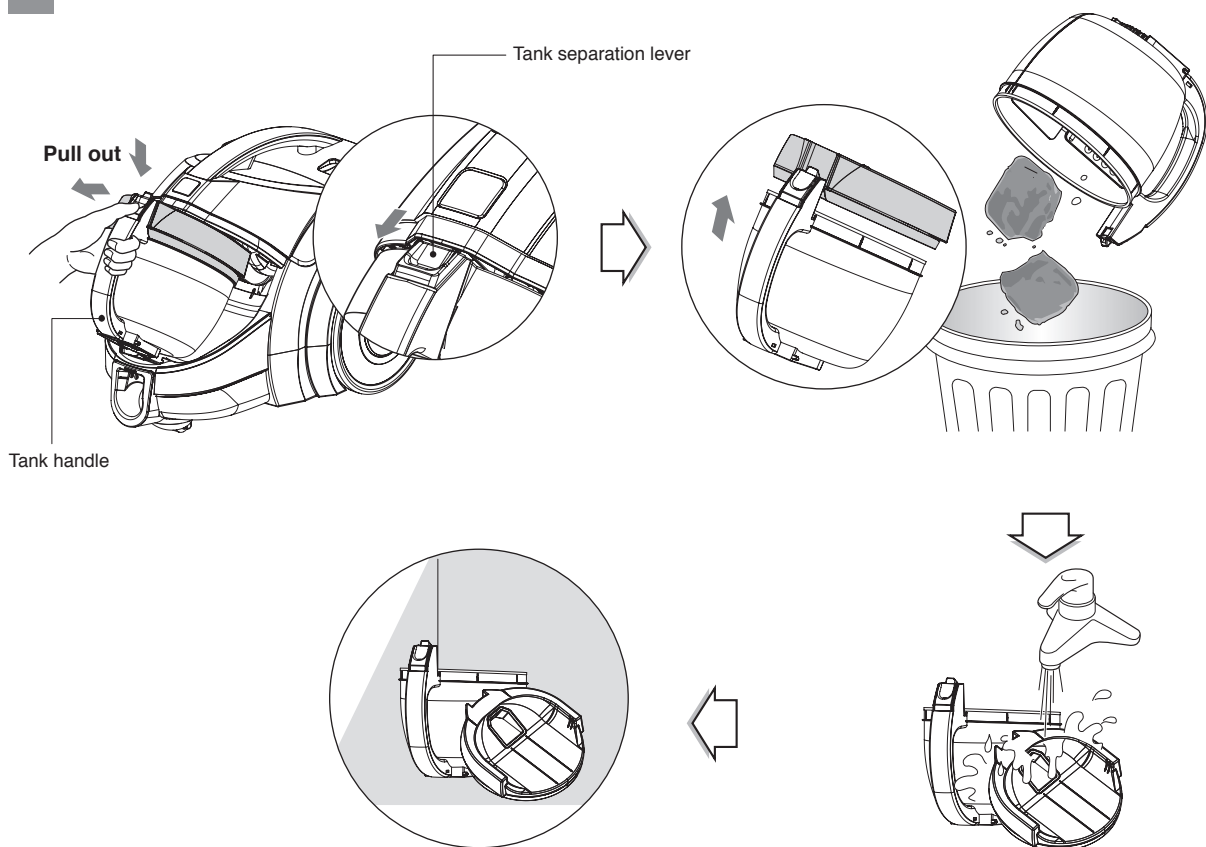
- If suction power decreases after emptying dust tank, reassemble the dust tank and check for other obstacles → next page

Moving the vacuum cleaner

- Don't grasp the tank handle when you are moving the vacuum cleaner. The vacuum cleaner's body may fall when separating tank and body. You should grasp the carrier handle when you are moving the vacuum cleaner.



How to use Cleaning dust tank

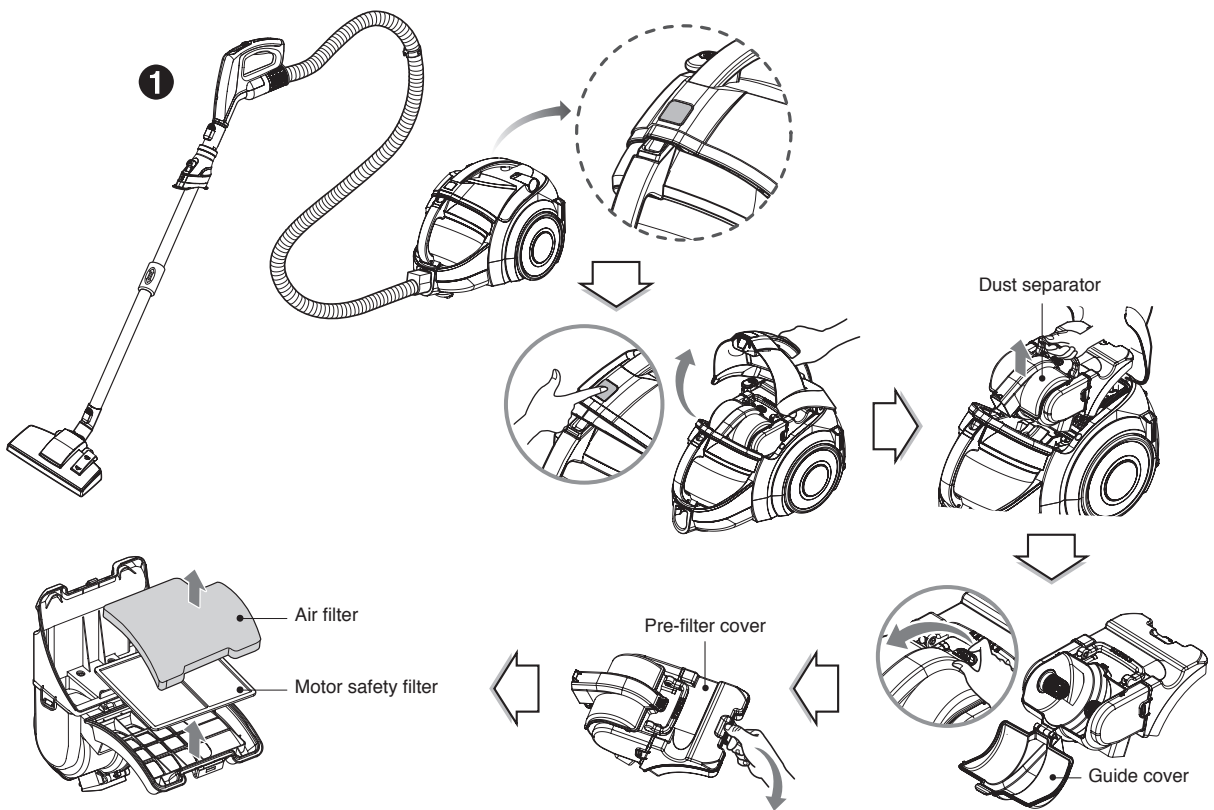


- Press tank separation button and pull out dust tank.
- Raise dust tank cap.
- Empty the dust tank and wash it.
- Allow the tank to dry completely before reassembling and use.

NOTICE

If suction power decreases after washing the dust tank, clean air filter and motor safety filter as per the next page

How to use Dust separator cleaning

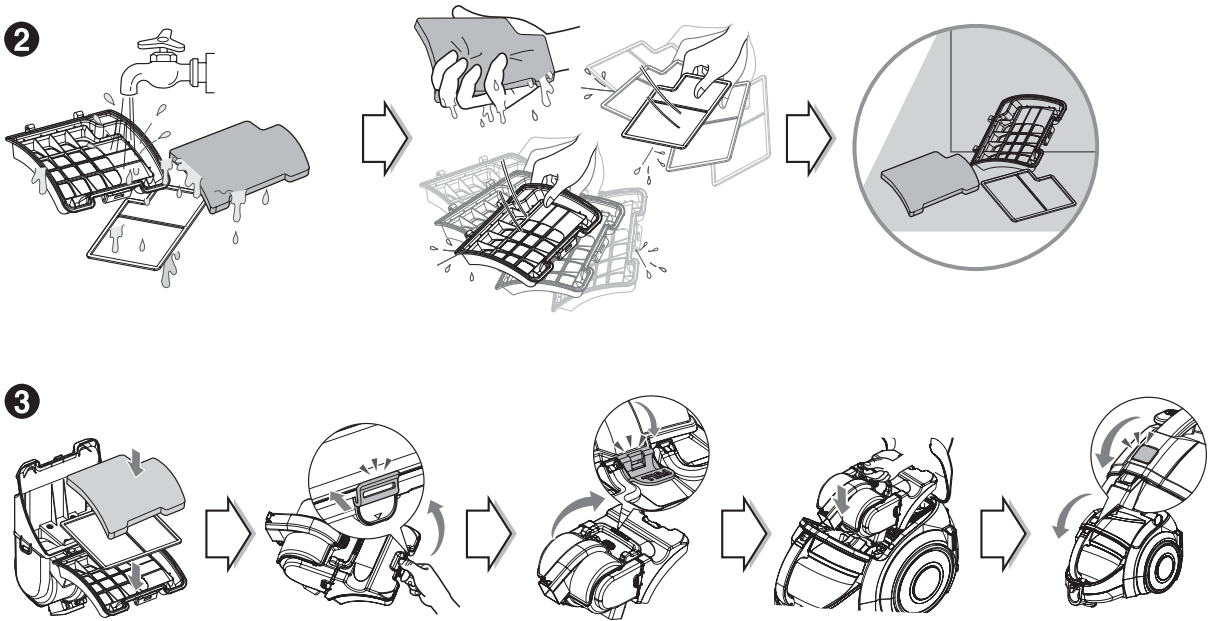


1 How to separate

- Open the Vacuum cleaner cover by pushing the button.
Grasp the handle of the dust separator and take it out.
Open the guide cover by pulling the guide cover lever and remove dust.
Open the pre filter cover by pulling the pre filter cover lever and take out pre filter assembly.

How to use

Cleaning air filter and motor safety filter



2 How to clean

- Wash air filter and motor safety filter with water.
- Do not wash filters with hot water.
- Dry fully in shade so that moisture is entirely removed.
- Air filter and motor safety filter should be cleaned in the above case.
- The filters must be dry before refitting and operating.

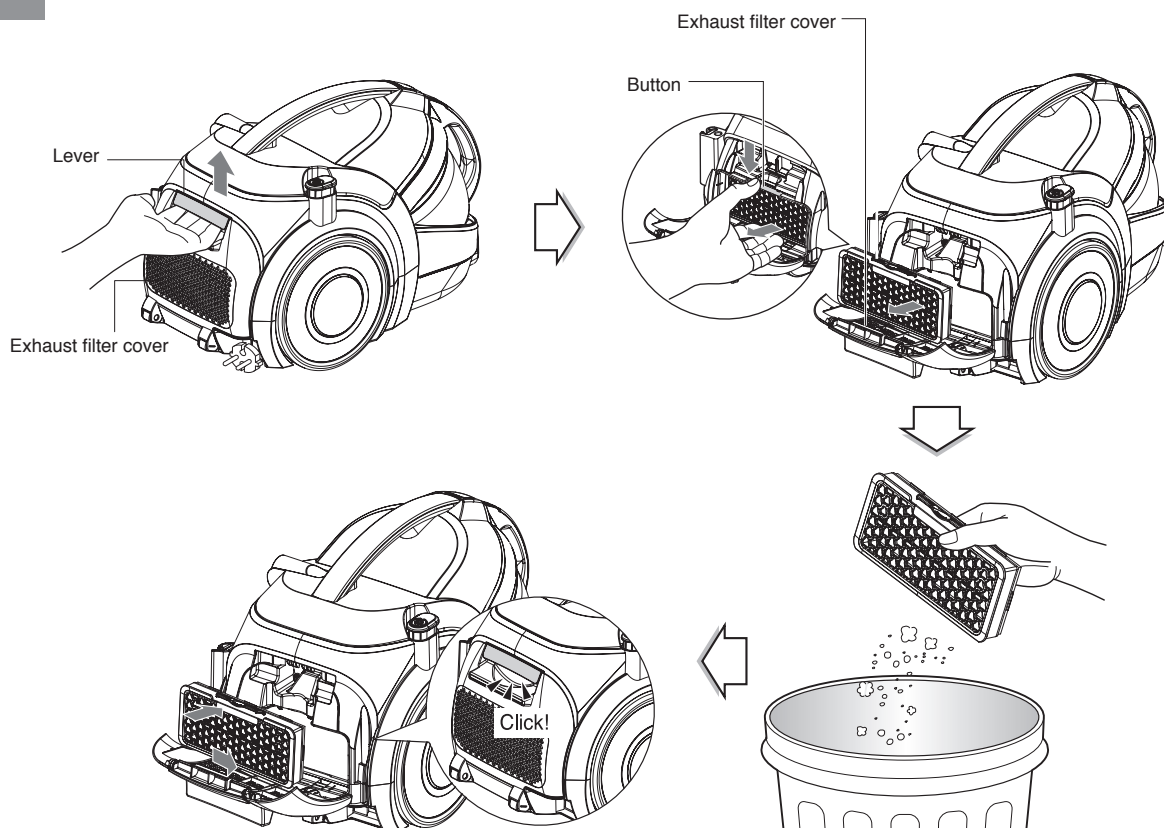
3 How to assemble

- Insert the motor protection filter to the filter case.
- Close the filter cover.
- Close the dust separator cover.
- Hold the handle of the dust separator to firmly assemble it by pressing it down.
- Close the cleaner cover.

NOTICE

If filters are damaged, do not use them.
In this case, contact LG Electronics Service Agent.
Wash filters at least Once a month.

How to use Cleaning exhaust filter



- The exhaust filter is a reusable.
- To clean the exhaust filter, remove the Exhaust filter cover on the body by pulling it out.
- Separate the exhaust filter.
- Dust off filter. (Do not wash filter with water.)
- The exhaust filter should be cleaned at least every 6 months to a year, depending on usage.

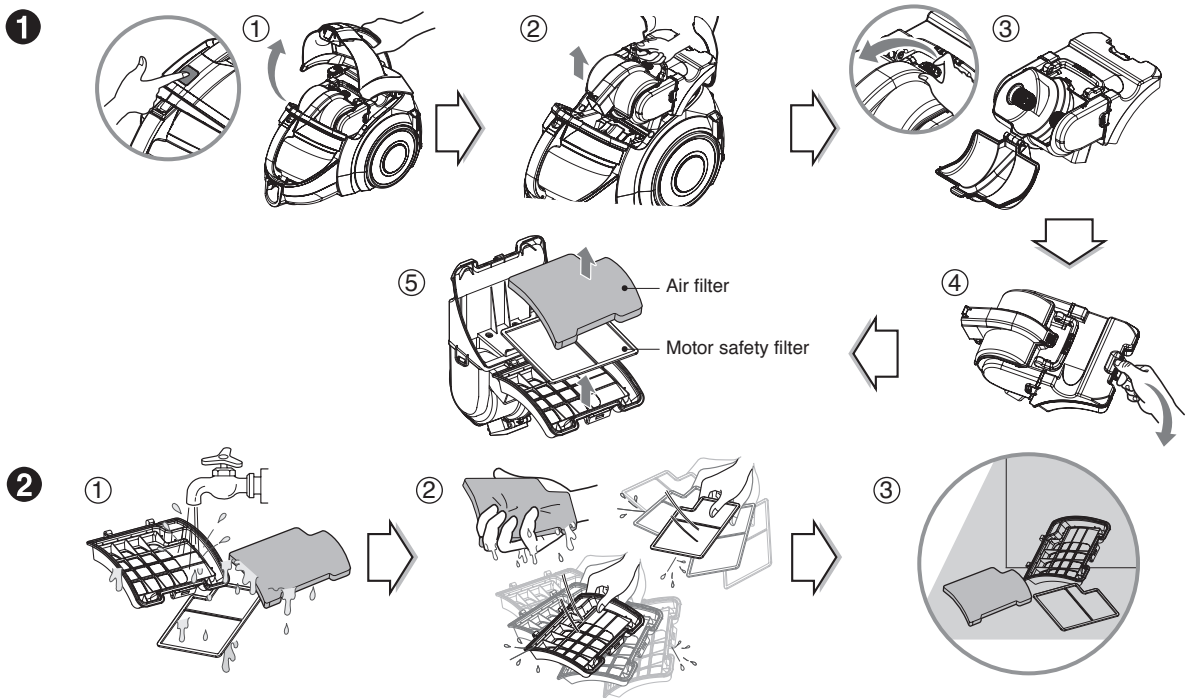
Exhaust filter cover assembling

- Fit exhaust filter cover lugs to the grooves of vacuum cleaner body and push it firmly back into place.

How to use **Check before requesting for service**

You should not waste money by requesting for service only to find out that it's not a problem.

If you experience any issues with the product, check the following details before contacting the service center or the distributor. You may be able to resolve the issue by a simple instruction from the user manual.



Cleaning and checking the filters in case of poor suction.

- Stage 1 : Check whether the suction control button is set to "High"
- Stage 2 : Clean the dust separator and check and clean all other filters if necessary.

① How to separate

- ① Press the cleaner cover button, and open the cover of the main unit.
- ② Hold the handle of the dust separator and pull it up.
- ③ Open the dust separator cover to remove the dust.
- ④ Open the filter cover.
- ⑤ Pull out the filter case and motor protection filter.

② How to clean(Clean with cold water.)

- ① Clean well in flowing water.
- ② Remove the moisture thoroughly.
- ③ Completely dry it under the shade where it is well ventilated before reusing it.

What to do if your vacuum cleaner does not work

Check that the vacuum cleaner is plugged in correctly and that the electrical socket is working.

What to do when suction performance decreases

- Turn off the vacuum cleaner and unplug it.
- Check the telescopic pipe, flexible hose and cleaning tool for blockages or obstructions.
- Check that the dust tank is not full. Empty if necessary.
- Check that the exhaust filter is not clogged. Clean the exhaust filter if necessary.
- Check that the air filter is not clogged. Clean the air filter if necessary.



WARNING

Should it become necessary to replace the moulded plug then the defective plug should be replaced by a qualified electrician.

