



OWNER'S MANUAL

VACUUM CLEANER

This information contains important instructions for the safe use and maintenance of the vacuum cleaner. Especially, please read all of the information on page 4, 5, 6, 7 for your safety. Please keep this manual in an easily accessible place and refer to it anytime.

VK9821*****



MFL51190627

www.lg.com

Table of contents

Important safety instructions 4-7

How to use

Assembling vacuum cleaner 8

Operating vacuum cleaner 10

Using the carpet master 11

Using hard floor nozzle / mini turbine nozzle 12

Using the accessory nozzles..... 13

Basic operation of the steam cleaner..... 14

Vacuum cleaning, steam cleaning, simultaneous vacuum and steam cleaning 15

Cleaning hardwood/laminated/general floor/carpet, when removing old stain/floor stain 16

How to add water, how to replace and clean the microfiber cloth 17

Using the sani punch nozzle 18-22

Emptying dust tank 23

Cleaning dust tank 24

Cleaning air filter and motor safety filter 25

Cleaning exhaust filter 26

Storage method after use 27

Check before requesting for service 28~29

Trouble shooting 30

IMPORTANT SAFETY INSTRUCTIONS

Read and follow all instructions before using your vacuum cleaner to prevent the risk of fire, electric shock, personal injury, or damage when using the vacuum cleaner. This vacuum is intended for Domestic use only, and must not be used for commercial purposes or applications. This guide does not cover all possible conditions that may occur. Always contact your service agent or manufacturer about problems that you are not sure of.



This is the safety alert symbol.

This symbol alerts you to potential hazards that can kill or hurt you and others.

All safety messages will follow the safety alert symbol and either the word "WARNING" or "CAUTION."

These words mean:



WARNING

This symbol will alert you to hazards or unsafe practices which could cause serious bodily harm or death.



CAUTION

This symbol will alert you to hazards or unsafe practices which could cause bodily injury or property damage.



WARNING

1. This appliance is not intended for use by persons (including children) with reduced physical, sensory or mental capabilities, or lack of experience and knowledge, unless they have been given supervision or instruction concerning use of the appliance by a person responsible for their safety.
2. Children should be supervised to ensure that they do not play with the appliance.
3. If the supply cord is damaged, it must be replaced by LG Electronics Service Agent in order to avoid a hazard
4. This appliance can be used by children aged from 8 years and above and persons with reduced physical, sensory or mental capabilities or lack of experience and knowledge if they have been given supervision or instruction concerning use of the appliance in a safe way and understand the hazards involved. Children shall not play with the appliance. Cleaning and user maintenance shall not be made by children without supervision.
5. **CAUTION:** This hose contains electrical connections:
 - do not use to suck up water ;
 - do not immerse in water for cleaning;
 - the hose should be checked regularly and must not be used if damaged.

IMPORTANT SAFETY INSTRUCTIONS

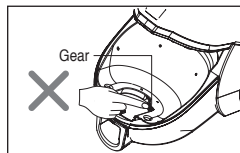
! WARNING

6. Symbol  or  means steam.

7. The steam must not be directed towards equipment containing electrical components, such as the interior of ovens.

! WARNING

- **Do not plug in if control switch is not in OFF position.**
Personal injury or product damage could result.
- **Keep children away and beware of obstructions when rewinding the cord to prevent personal injury**
The cord moves rapidly when rewinding.
- **Disconnect electrical supply before servicing or cleaning the unit or when cleaner is not in use.**
Failure to do so could result in electrical shock or personal injury.
- **Do not use vacuum cleaner to pick up anything that is burning or smoking such as cigarettes, or hot ashes.**
Doing so could result in death, fire or electrical shock.
- **Do not vacuum flammable or explosive substances such as gasoline, benzene, thinners, propane (liquids or gases).**
The fumes from these substances can create a fire hazard or explosion. Doing so could result in death or personal injury.
- **Do not handle plug or vacuum with wet hands.**
Doing so could result in death or electrical shock.
- **Do not unplug by pulling on cord.**
Doing so could result in product damage or electrical shock. To unplug, grasp the plug, not the cord.
- **Keep hair, loose clothing, fingers, and all parts of the body away from openings and moving parts.**
Failure to do so could result in electrical shock or personal injury.
- **Do not pull or carry by cord, use cord as a handle, close a door on cord, or pull cord around sharp edges or corners. Do not run vacuum cleaner over cord. Keep cord away from heated surfaces.**
Failure to do so could result in electrical shock or personal injury, fire or product damage.
- **The hose contains electrical wires. Do not use it if it is damaged, cut or punctured.**
Failure to do so could result in death, or electrical shock.
- **Do not allow to be used as toy. Close attention is necessary when used by or near children.**
Personal injury or product damage could result.
- **Do not use the vacuum cleaner if the power cord or plug is damaged or faulty.**
Personal injury or product damage could result. In these cases, contact LG Electronics Service Agent to avoid hazard.
- **Do not use vacuum cleaner if it has been under water.**
Personal injury or product damage could result. In these cases, contact LG Electronics Service Agent to avoid hazard.
- **Do not continue to vacuum if any parts appear missing or damaged.**
Personal injury or product damage could result. In these cases, contact LG Electronics Service Agent to avoid hazard.
- **Do not use an extension cord with this vacuum cleaner.**
Fire hazard or product damage could result.
- **Using incorrect voltage.**
Using improper voltage may result in damage to the motor and possible injury to the user. Proper voltage is listed on the bottom of vacuum cleaner.
- **Turn off all controls before unplugging.**
Failure to do so could result in electrical shock or personal injury.
- **Do not change the plug in any way.**
Failure to do so could result in electrical shock, personal injury, product damage, or possible death. If plug does not fit, contact a qualified electrician to install the proper outlet.
- **Repairs to electrical appliances may only be performed by qualified service engineers.**
Improper repairs may lead to serious hazards for the user.
- **Do not put fingers near the gear.**
Failure to do so could result in personal injury.



IMPORTANT SAFETY INSTRUCTIONS

WARNING

- **Be careful when using the product on hardwood, coated floor, brick floor and high quality floor etc.**
It can cause discoloration or deformation depending on the floor material.
- **Do not stay in one location or use it on the same location repeatedly.**
It can cause discoloration or deformation by the hot heat of the steam.
- **Do not open the water hole cap of the nozzle or supply water when the product is being used or when the power is turned on.**
It could cause burns from hot water spilling over.
- **Never flip or tilt the steam nozzle when the power is turned on, being used for cleaning or right after finishing cleaning.**
It can cause burns from the spraying of steam.
- **When cleaning the exterior of the nozzle, always unplug the power and do not use volatile substance.**
It can cause electric shock and exterior damage.
- **Do not touch the bottom surface of the steam nozzle directly with you hands or feet.**
It can cause burns.
- **Do not pour in synthetic detergent, chemical substance and other substances instead of water.**
It can cause product damage or explosion.
- **Do not clean the exterior and bottom surface of the steam nozzle with water or detergent**
It can cause product damage and electric shock.
- **Unlike the hose of the existing cleaner, high current flows through the hose, this can cause fire and electric shock.**
- **Make sure the steam is not applied directly to human or animal.**
It can cause a direct burn.
- **Make sure that children, the elderly or people who do not know how to operate the cleaner, do not use the product.**
It can cause burns.
- **Do not directly touch the surface of the nozzle when cleaning or when the nozzle is heated.**
It can cause burns.
- **Do not vacuum water or clean with water because the steaming hose is internally installed on the electric connection part.**
Periodically check whether there are any problems with the pipe and if there are any damaged parts, stop using the product and contact the service center.
- **When attaching or replacing the microfiber cloth, turn off the power and use the cloth board to attach/detach the cloth.**
If you replace the microfiber cloth with the power on, it can cause damage on the floor or cause a fire.
- **If the circuit breaker trips when the power is turned on or when using the steam cleaner, immediately stop using the product and contact the AS center.**
It can cause electric shock may occur.
- **Do not use the steam nozzle on the wooden floor.**
It can cause discoloration or deformation when using the steam nozzle.

IMPORTANT SAFETY INSTRUCTIONS

CAUTION

- **Do not put any objects into openings.**
Failure to do so could result in product damage.
- **Do not use with any opening blocked: keep free of dust, lint, hair, and anything that may reduce air flow.**
Failure to do so could result in product damage.
- **Do not use vacuum cleaner without dust tank and/or filters in place.**
Failure to do so could result in product damage.
- **Always clean the dust bin after vacuuming carpet cleaners or fresheners, powders and fine dust.**
These materials clog the filters, reduce airflow and can cause damage to the cleaner. Failure to clean the dust bin could cause permanent damage to the cleaner.
- **Do not use vacuum cleaner to pick up sharp hard objects, small toys, pins, paper clips, etc.**
They may damage the cleaner or dust bin.
- **Store the vacuum cleaner indoors.**
Put the vacuum cleaner away after use to prevent tripping over it.
- **The vacuum cleaner is not intended for use by young children or infirm people without supervision.**
Failure to do so could result in personal injury or product damage.
- **Only use parts produced or recommended by LG Electronics Service Agents.**
Failure to do so could result in product damage.
- **Use only as described in this manual. Use only with LG recommended or approved attachments and accessories.**
Failure to do so could result in personal injury or product damage.
- **To avoid personal injury and to prevent the machine from falling when cleaning stairs, always place it at the bottom of stairs.**
Failure to do so could result in personal injury or product damage.
- **Use accessory nozzles in "MIN" mode.**
Failure to do so could result in product damage.
- **Don't grasp the tank handle when you are moving the vacuum cleaner.**
The vacuum cleaner's body may fall when separating tank and body. Personal injury or product damage could result. **You should grasp the carrier handle** when you are moving the vacuum cleaner.
- **Make sure the filters (exhaust filter and motor safety filter) are completely dry before replacing in the machine.**
Failure to do so could result in product damage.
- **Do not dry the filter in an oven or microwave.**
Failure to do so could result in fire hazard.
- **Do not dry the filter in a clothes dryer.**
Failure to do so could result in fire hazard.
- **Do not dry near an open flame.**
Failure to do so could result in fire hazard.
- **If the power cord is damaged, it must be replaced by an approved LG Electronics Service Agent to avoid a hazard.**
- **This appliance is not intended for use by persons (including children) with reduced physical, sensory or mental capabilities, or lack of experience and knowledge, unless they have been given supervision or instruction concerning use of the appliance by a person responsible for their safety.**
Children should be supervised to ensure that they do not play with the appliance.

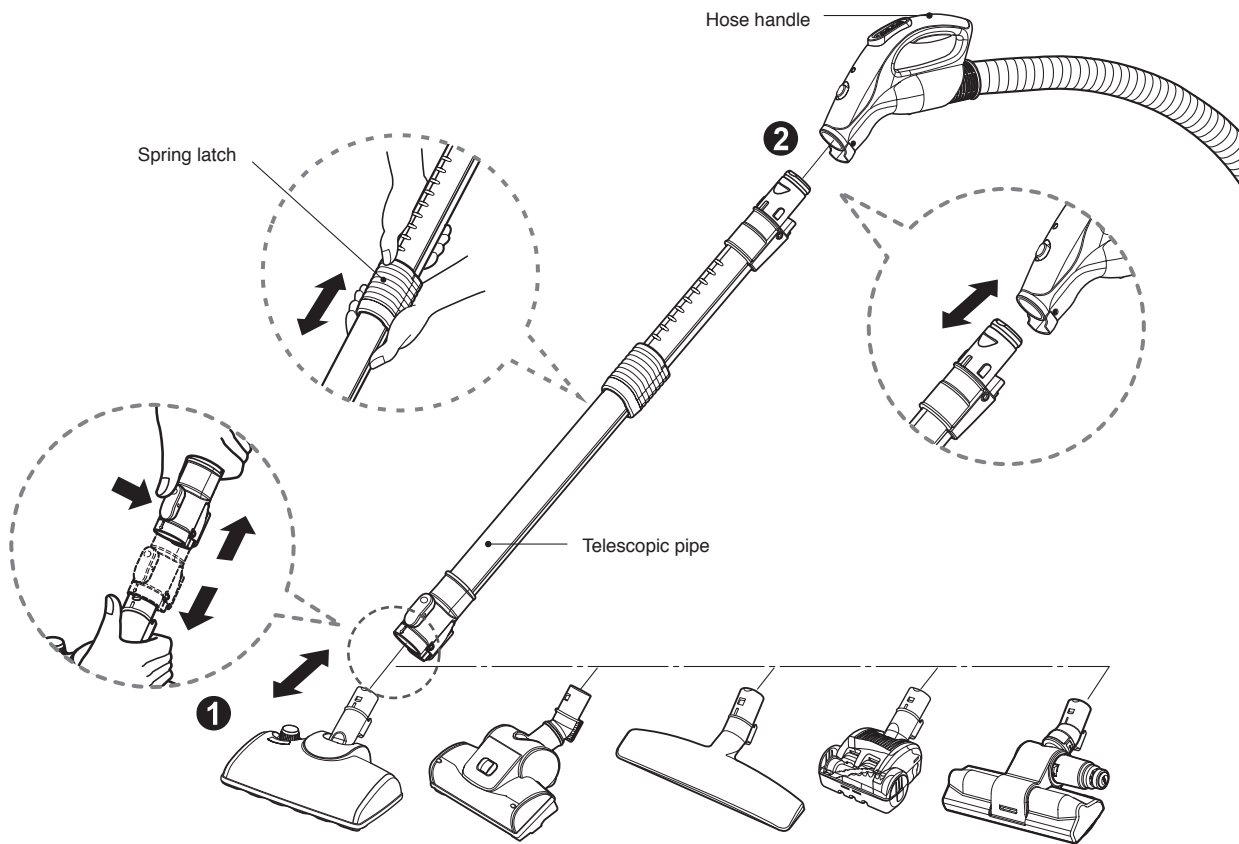
Thermal protector :

This vacuum cleaner has a special thermostat that protects the vacuum cleaner in case of motor overheating. If the vacuum cleaner suddenly shuts off, turn off the switch and unplug the vacuum cleaner. Check the vacuum cleaner for possible source of overheating such as a full dust tank, a blocked hose or clogged filter. If these conditions are found, fix them and wait at least 30 minutes before attempting to use the vacuum cleaner. After the 30 minute period, plug the vacuum cleaner back in and turn on the switch. If the vacuum cleaner still does not run, contact the manufacturer for user support.

NOTE

This Vacuum is not intended for commercial applications. It must only be used for normal indoor domestic home applications. It must only be used for dry vacuuming.

How to use Assembling vacuum cleaner

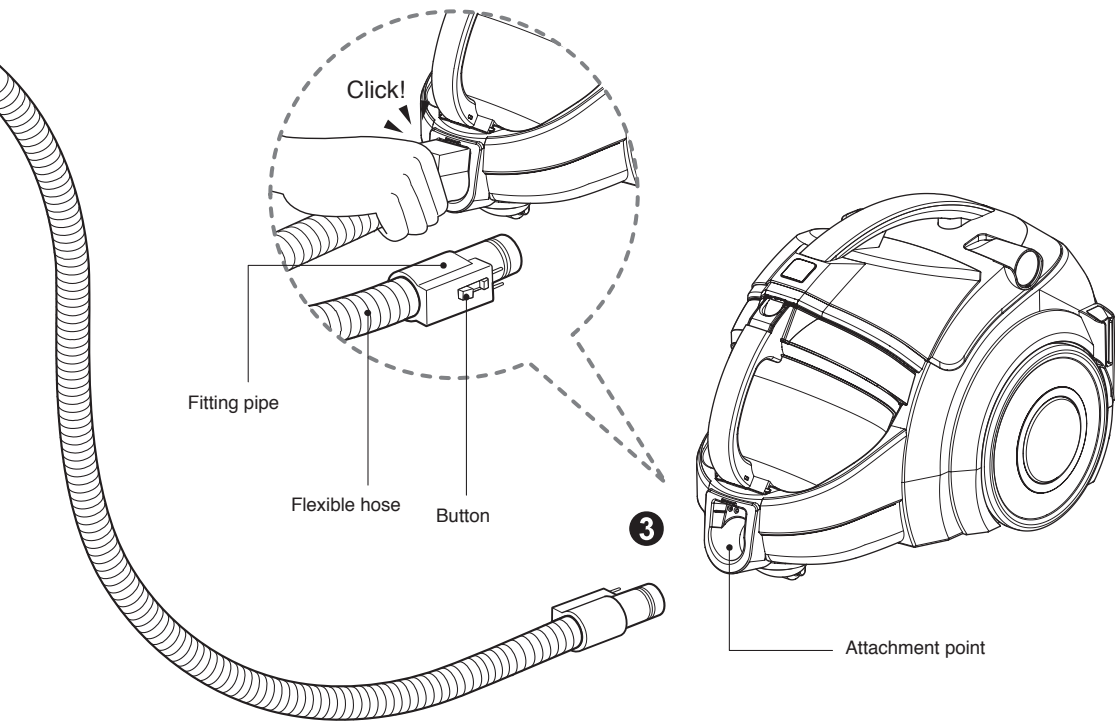


❶ Steam cleaning vacuum tool

Push the nozzle into the telescopic pipe.

❷ Telescopic pipe

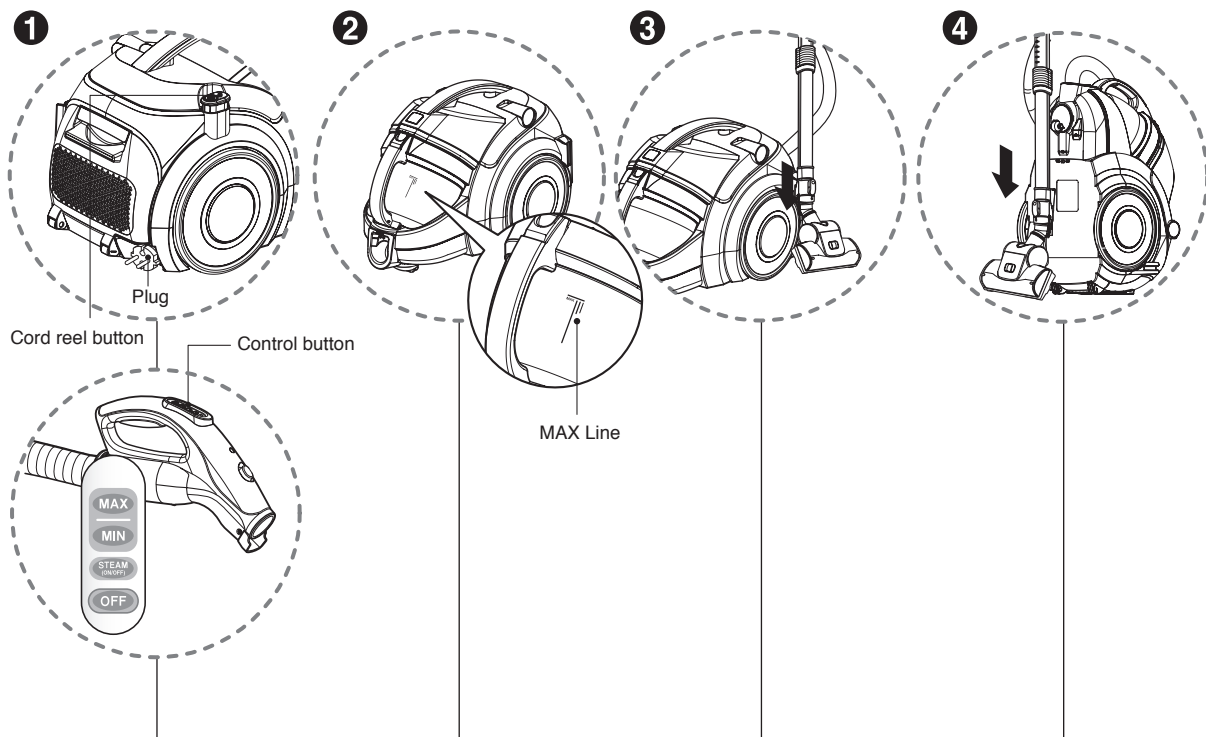
- Push telescopic pipe firmly into hose handle.
- Grasp the spring latch to expand.
- Pull out the pipe to desired length.



3 Connecting the hose to the vacuum cleaner

Push the fitting pipe on the flexible hose into the attachment point on the vacuum cleaner. To remove the flexible hose from the vacuum cleaner, press the button situated on the fitting pipe, then pull the fitting pipe out of the vacuum cleaner.

How to use Operating vacuum cleaner



1 How to operate

- Pull out the power cord to the desired length and plug into the power outlet
- Press the control button of the hose handle to operate vacuum cleaner.
- To turn off, press the OFF button.
- Press the cord reel button to rewind the power cord after use.
- The Power cord is marked with a yellow and red band marker. The yellow is a warning band that the cord should not be pulled out any further, and the red band means to stop extending the cord as it is at the end of its length.

2 Emptying the dust tank 3 Park mode

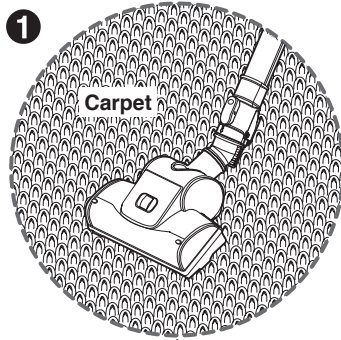
- Always empty the dust tank when the dust tank level reaches the MAX line.

- To store during vacuuming, for example to move a small piece of furniture or a rug, use park mode to support the flexible hose and nozzle.
 - Slide the hook on the nozzle into the slot on the side of vacuum cleaner.

4 Storage

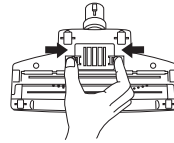
- When you have switched off and unplugged the vacuum cleaner, hold down the cord reel button to automatically rewind the cord.
- You can store your vacuum cleaner in a vertical position by sliding the hook on the nozzle into the slot on the underside of the vacuum cleaner.

How to use Using the carpet master

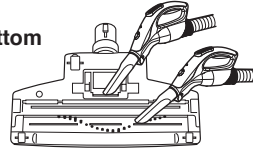


Cleaning carpet master

Open

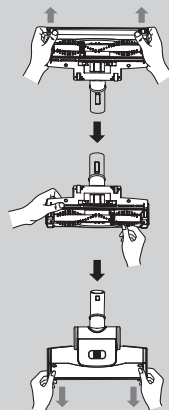


Bottom



1 Carpet master

- **Cleaning turbine brush nozzle.**
- Press the button on the rear side of the nozzle to separate the air cover.
- Use the dusting brush & crevice tool, vacuum clean the brush and fan.



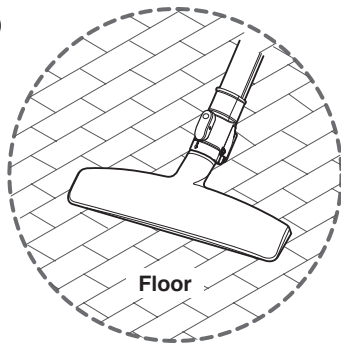
- Open the front cover by pushing the bottom of the front cover.

- Clean and remove hair, string, and lint build-up in the brush area. Failure to do so could damage the nozzle.

- Close the front cover.

How to use Using hard floor nozzle / mini turbine nozzle

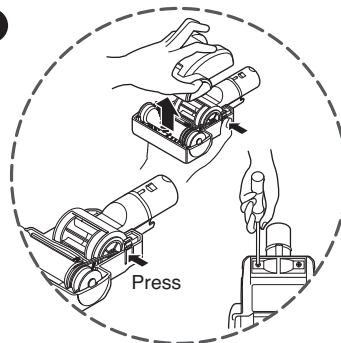
2



2 Hard floor nozzle

- Efficient vacuum cleaning of hard floors (wood, linoleum, etc)

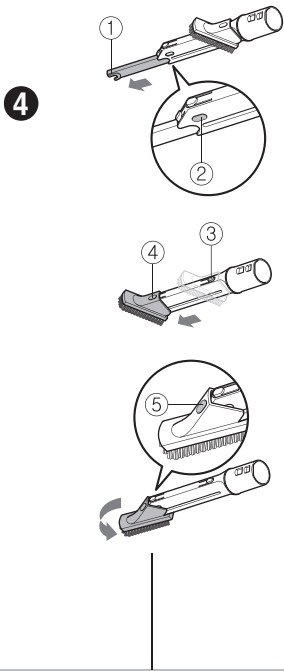
3



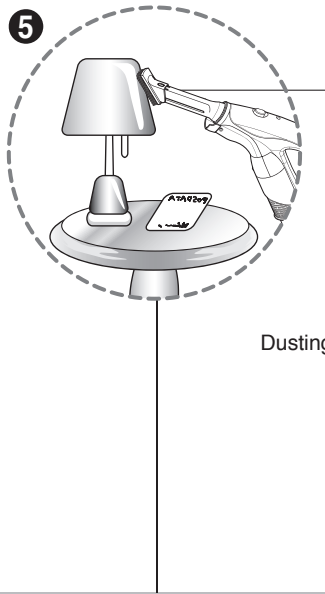
3 Mini turbine nozzle

- Mini turbine is used for stairs and other hard to reach places.
- To clean the mini turbine nozzle, remove the nozzle cover : Remove 2 screws on the bottom and take mini turbine nozzle cover off as shown.
- Frequently clean and remove hair, string, and lint build-up in the brush area. Failure to do so could damage the mini turbine nozzle.

How to use Using the accessory nozzles

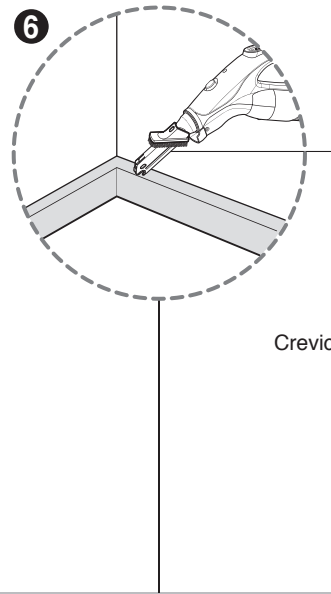


4 Accessory nozzle



Dusting brush

5 Dusting brush



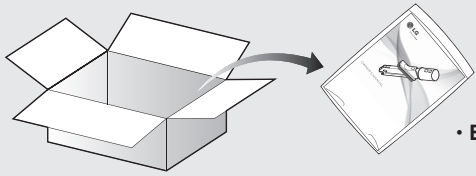
Crevice tool

6 Crevice tool

1. ① You can use the narrow intake if you pull the indicated part to the arrow.
2. ② You can put in the intake if you push the bump on the indicated part and push it to the opposite side of the arrow.
3. ③ You can use the horsehair intake if you push the bump on the indicated part and pull it to the arrow. When putting it in ④ You can put in the horsehair intake if you push the bump on the indicated part and pull it to the opposite side of the arrow.
3. If you grasp the horsehair intake and turn it toward the arrow, cleaning in a particularly direction is possible. ⑤ To change the direction of the horsehair intake to the original position, push the bump on the indicated part and turn it back to the opposite side of the arrow.

Dusting brush is for vacuuming picture frames, furniture frames, books and other irregular surfaces.

Crevice tool is for vacuuming in those normally hard-to-reach places such as reaching cobwebs, or between the cushions of a sofa.



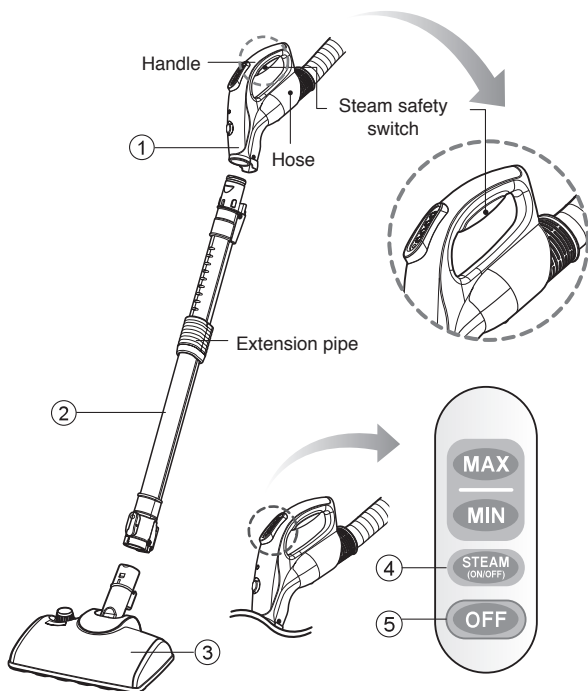
• BOX •

• Accessory nozzles include in the "PE BAG" with owner's manual.

NOTICE
Use accessory in the MIN mode.

How to use Basic operation of the steam cleaner

By using the steam cleaning vacuum tool, you can do vacuum cleaning and steam cleaning simultaneously or individually, in an easy way.

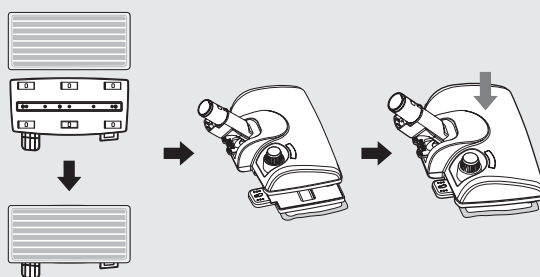


The Blue Steam light indicates that the Steam function is active.

How to add water to the steam head



How to attach the microfiber cloth



1 Assembly and power ON/OFF

2 How to fill the steam head and, how to attach the microfiber cloth

Important Note:

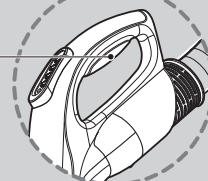
Always hold the steam safety switch during steam cleaning. Always make sure that the Steam cleaning vacuum tool is filled with demineralised water whilst in a fully upright position before commencing the steam function.

- Align the extension pipe (2) and the terminal part of the steam cleaning vacuum tool (3), and connect the two completely until you hear the "Click". If the steam cleaning vacuum tool and the extension are not completely connected, the nozzle will be pulled out or the steam will not be generated.
- Connect the hose (1) and the extension pipe (2) completely until you hear the "Click" sound.
- When you press the "STEAM" button (4) on the function control button on the handle part of the hose (1), the steam will be generated. Initial steam generation time is about 2.5 minutes and it will take a little longer for the cloth to get wet. You must operate the "STEAM" button after filling the water.
- When you press the "STEAM" button (4) one more time or press the "OFF" button (5), the steam will stop.

To supply water, always unplug the power then pour the water into the unit.

- Open the water hole cap of the steam cleaning vacuum tool.
- Use the measuring cup to pour 250cc of water and then close the water hole cap tightly.
- Before attaching the microfiber cloth, you must always turn off the power.
- After attaching the cloth on the cloth board, install it on the nozzle for steam cleaning.
- Be careful because the cloth board can be hot.
- After aligning the vacuum tool with the cloth board, press it from the top. Until you hear the clicking sound.

Steam safety switch

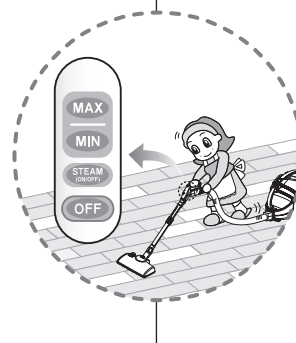
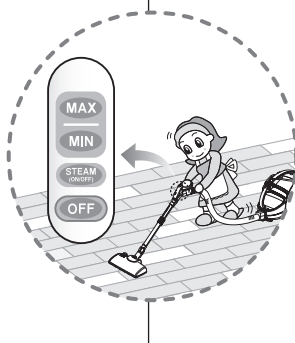
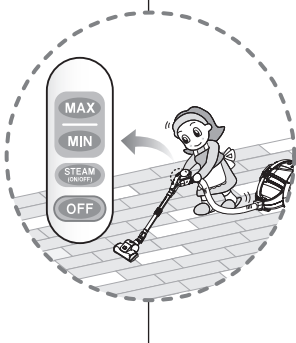
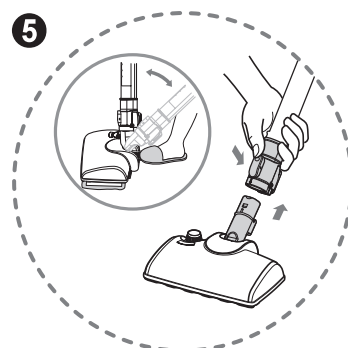
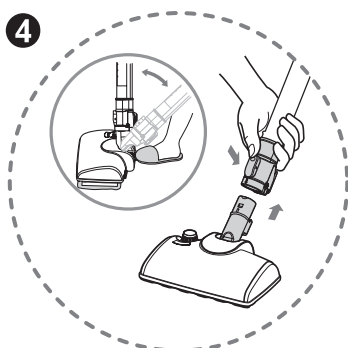
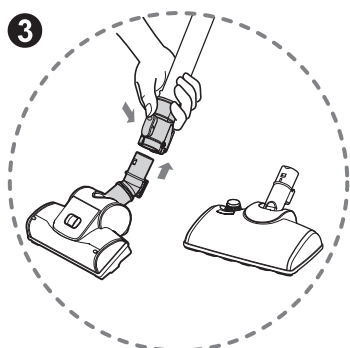


CAUTION

To prevent safety accidents during steam cleaning, if you do not press the steam safety switch within 30 seconds, the unit will recognize that the cleaning has been completed and turn off the power. If you want to use the steam again, press the "STEAM" button one more time.

- During initial steam nozzle operation, it will operate for 150 seconds (2.5 minutes) even when you do not press the steam safety switch.
- About 2 minutes after pressing the "STEAM" button, you can start the cleaning and after about 2.5 minutes, you can visibly see the steam.
- The cloth can get wet faster depending on how the steam vacuum tool is used and the time. At this time, when you replace the cloth, you can clean with a dry cloth.

How to use Vacuum cleaning, steam cleaning, simultaneous vacuum and steam cleaning



3 Vacuum cleaning

4 Steam cleaning

5 Vacuum steam cleaning

- Connect the carpet and floor nozzle or steam cleaning tool to the extension pipe.
- Operate the function control button to "MAX" or "MIN" mode. When the cleaning is completed, press the "OFF" button to stop the operation.

- Connect the steam cleaning vacuum tool to the extension pipe.
- When you lift the extension pipe up as shown by the arrow, the extension pipe will be locked into the upright position, to release the extension pipe from the vertical position and start steam cleaning, depress the foot pedal as shown in fig. 4 & 5.
- Shortly after you press the "STEAM" button the steam will be generated to start the cleaning, and a blue light will appear on the top of the steam vacuum tool to indicate the steam function is active. The safety trigger on the handle must be held pressed so that the steam function remains active. When the cleaning is completed, press the "OFF" button or the "STEAM" button one more time to stop the operation.

- Connect the steam cleaning vacuum tool to the extension pipe. A "Click" will indicate that the steam vacuum tool is securely in place.
- To use both the vacuum cleaning and steam cleaning simultaneously, press the function button for vacuum cleaning and function button for steam cleaning respectively. When you press the "OFF" button, both the vacuum and the steam function will stop.

⚠ CAUTION

- Water slightly leaking on the floor when you tilt the vacuum tool during steam cleaning is normal.
- Do not flip over the steam vacuum tool during steam cleaning. Water and hot steam will come off the bottom, which can be dangerous.
- Vacuum steam cleaning can only be done with the steam cleaning vacuum tool.



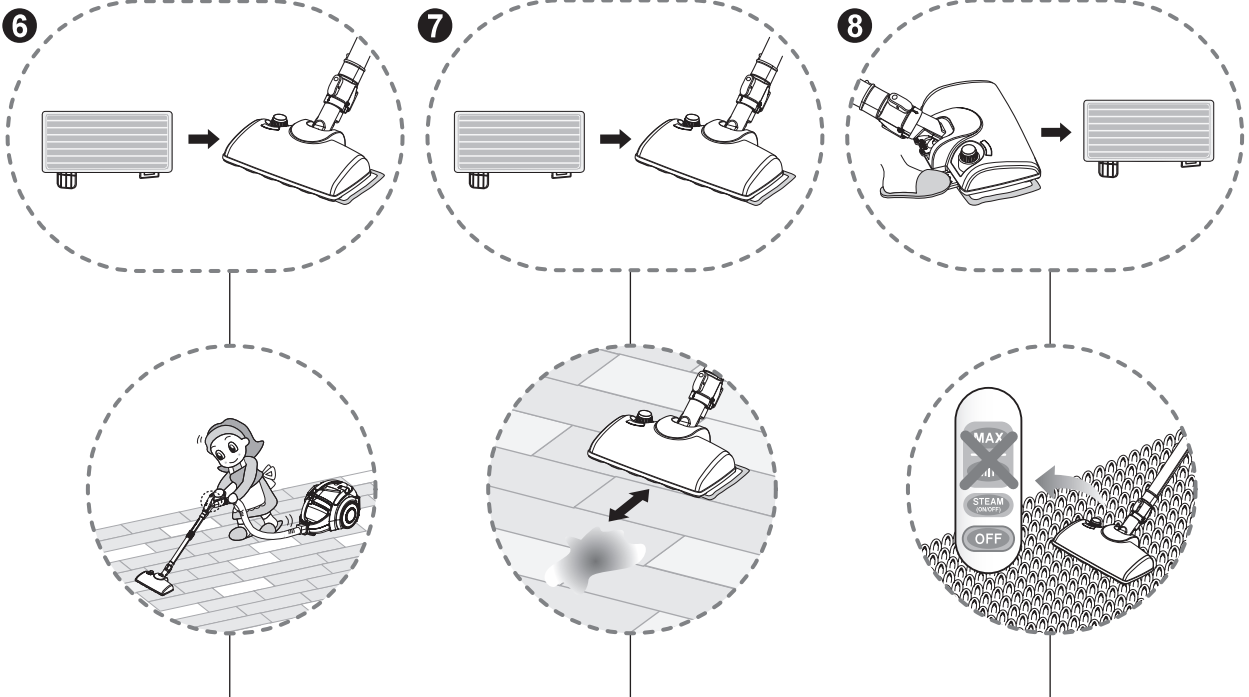
⚠ WARNING

- Do not use the steam nozzle on the wooden floor. It can cause discoloration or deformation when using the steam nozzle.

How to use

Cleaning hardwood/laminated/general floor/carpet

When removing old stain/floor stain



6 When cleaning hardwood/laminated/general floor 7 When removing old stain/floor stain 8 When cleaning the carpet

- Attach the microfiber cloth on to the cloth board and install the steam cleaning vacuum tool securely to the vacuum.
- When cleaning the hardwood/laminated/general floor, if you do not use the microfiber cloth, the hot steam will cause discoloration or deformation of the flooring material. Therefore you must always attach the cloth before using the cleaner.
- Steam cleaning can be started after approx 2.5 minutes after initially turning on the Steam function.

- Attach the microfiber cloth on to the cloth board and install the steam cleaning vacuum tool securely to the vacuum.
- If the stain is not removed after the first pass of the steam head, then slowly manoeuvre the steam head back and forwards over the stain but never leave the active steam head stationary on the stain as it can damage the floors finish.

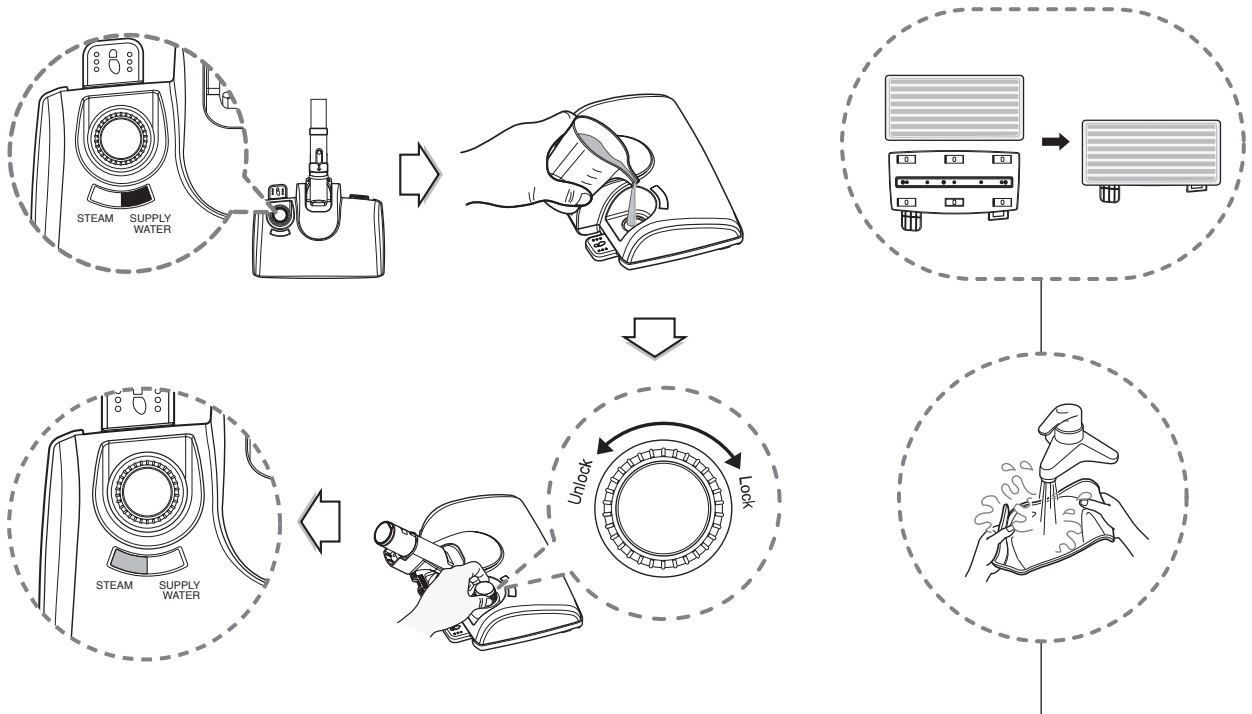
- Detach the cloth board from the steam cleaning vacuum tool.
- Shortly after you press the "STEAM" button, the steam will be generated to start the cleaning. When the cleaning is completed, press the "OFF" button or the "STEAM" button one more time to stop the operation.

⚠ WARNING

When cleaning on the carpet, don't operate the function control button to "MAX" or "MIN" mode. It can cause fire or electric shock.

How to use

How to add water, how to replace and clean the microfiber cloth



How to add water

- When the "SUPPLY WATER" light is turned in the LED display window of the nozzle, stop operating the steam cleaning vacuum tool and unplug the power.
- Open the water hole cap of the nozzle and use the measuring cup (water supply cup) to pour the water. (Appropriate amount: 250ml)
- Lock the water hole cap of the vacuum tool in the arrow direction as shown in the picture.
 - Turn the cap to the right direction until you hear a clicking sound.
- After turning on the power again, steam cleaning can be recommenced shortly after the "STEAM" lamp is once again activated by pressing the steam on/off switch and holding down the safety trigger.
 - The "SUPPLY WATER" LED will be turned off and the "STEAM" led will turn on approximately 1 minute after the water has been refilled and the Steam function reactivated. Make sure that the steam vacuum tool and the hose handle are flat on the floor when refilling with water so that the reservoir cannot tip over.

⚠ CAUTION

- To reduce the foreign particles formed inside the water tank as much as possible, use demineralised or filtered water.
- When filling with water, you must stop operating the steam cleaning vacuum tool and unplug the power.
- When filling with water, lay the hose handle on the floor and fill with water.

How to replace and clean the microfiber cloth

When replacing the microfiber cloth, always make sure the power is turned off.

- Detach the cloth board from the steam cleaning vacuum tool and replace the microfiber cloth. Attach the white side of the microfiber cloth on the cloth board on the bottom surface of the cleaner.
- Reuse the dirty cloth by cleaning it with clean water, soap, detergent etc. and then by completely drying the cloth in the shade.

⚠ CAUTION

- If you do not completely remove the moisture when using the microfiber cloth, it can cause electric shock and damage the main unit.
- Attach the microfiber cloth so that the vacuum hole of the steam cleaning vacuum tool is not covered.
- The cloth can get wet faster depending on how the steam vacuum tool is used and the time. At this time, when you replace the cloth, you can clean with a dry cloth.

How to use

Using the sani punch nozzle

Features

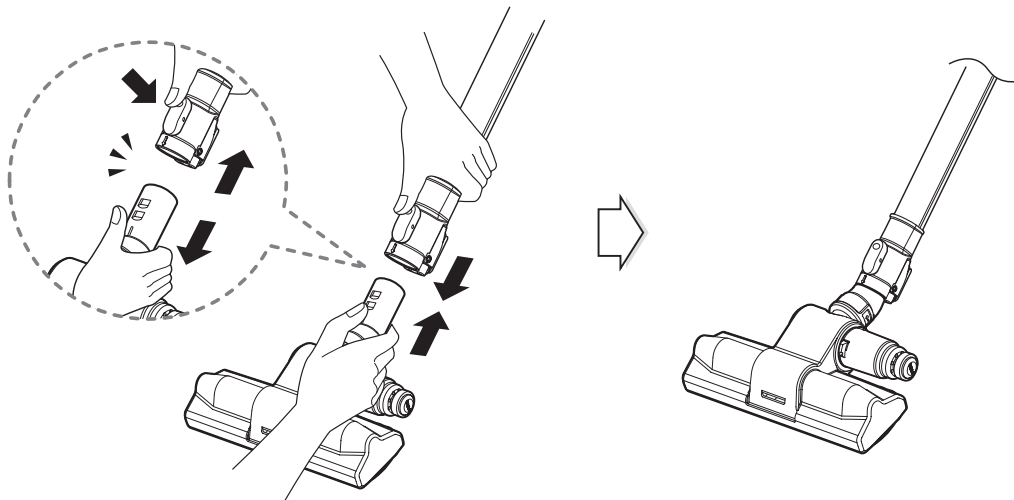
This nozzle is ideal for picking up dust through porous surfaces such as thick blankets and mattresses, as a result of the vibrating action of the sani punch nozzle. The bottom part can be separated to be cleaned. Since the bottom does not stick to the surface, vacuuming is easy.

How to use

Follow the directions below for proper use.

Assembly

Connect the nozzle to the telescopic tube.



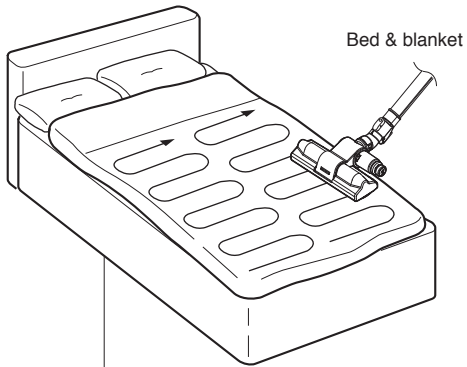
Sani punch nozzle

Set the suction power control switch to MAX POWER before vacuuming. Depending on the type of surface handling may be awkward or it may cause a lot of noise.

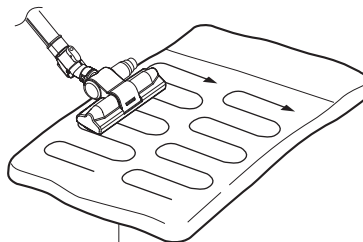
If this is the case, adjust the suction power control switch to the lower setting.

The sani punch nozzle is effective for cleaning of beds and blankets to help remove mites and dust.

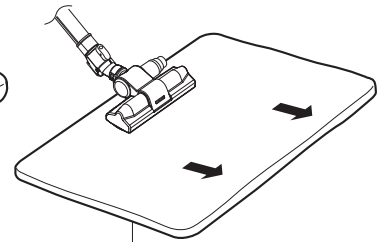
Effective cleaning



Bulky & heavy blanket



Light blanket & sheet



When using on the bed

Lay out the blanket
and vacuum it on the bed

When using on the floor

It is easier to clean a light blanket or sheet by
pushing the nozzle in the direction of the arrow.
To increase cleaning efficiency for light blankets,
lay on top of a bulky blanket and then clean.

For simple cleaning of the vacuum nozzle, detach the sani punch nozzle from the telescopic tube and attach the crevice tool to vacuum dust.

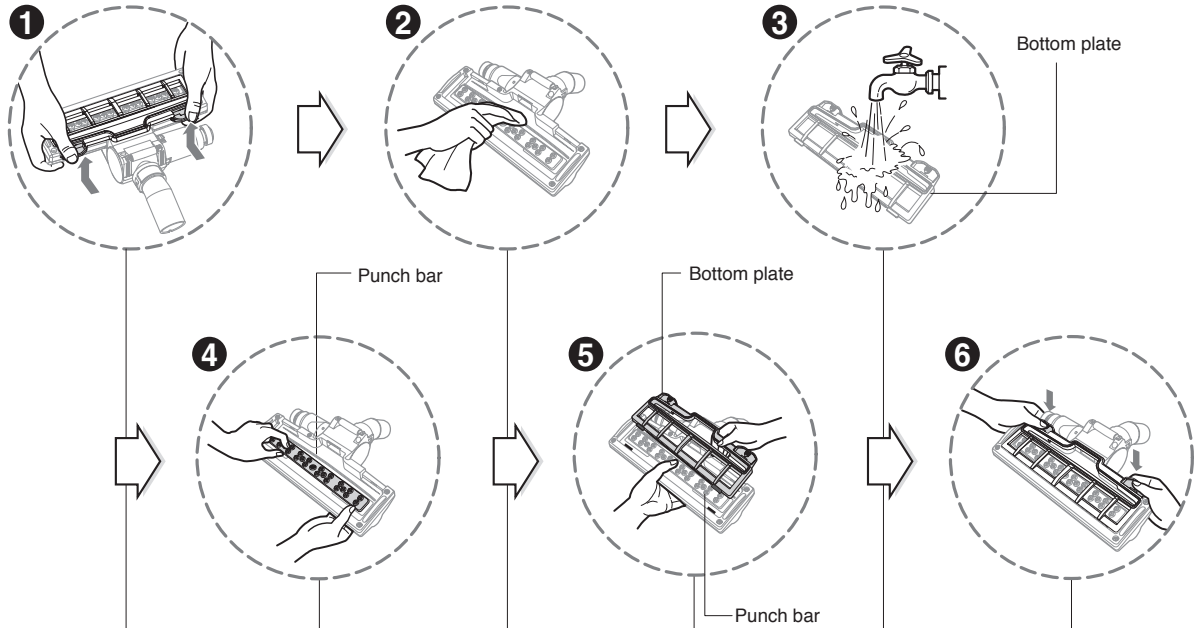


Since the vibrator inside is composed of precision parts, never disassemble the unit. Be careful not to let foreign objects clog the air suction part on top of the vacuum nozzle. Since removal of the punch bar may cause performance problems, do not warp or remove it. Attach the bottom plate properly before using. Without this bottom plate, it may not function.

Since this vacuum nozzle has been made exclusively for cleaning beds, blankets and upholstery, use it only for these cleaning purposes. (Using it to clean the floor may result in soiling it or a decrease in performance, do not use it for such purposes.)

Follow the instruction below for through washing.

(Do not soak the entire body of the vacuum nozzle in water, it may cause the vibrator to malfunction)



1 Press the button on the rear side of the vacuum nozzle to separate the bottom plate.

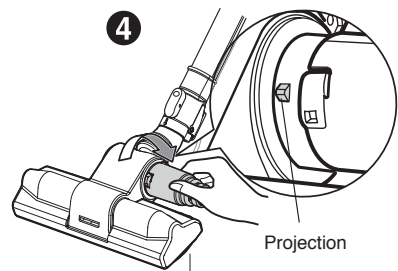
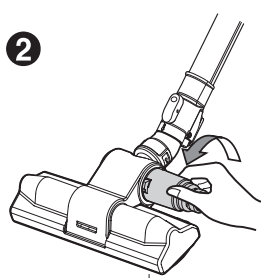
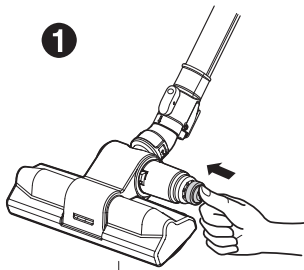
2 Wipe all the soiled parts of the vacuum nozzle body with a cloth.

3 Wash the removed bottom plate with water and dry it.

4 Straighten the punch bar on the lower section.

5 Insert the attachment projections on bottom plate to the vacuum nozzle grooves.

6 Push down the tabs to secure.



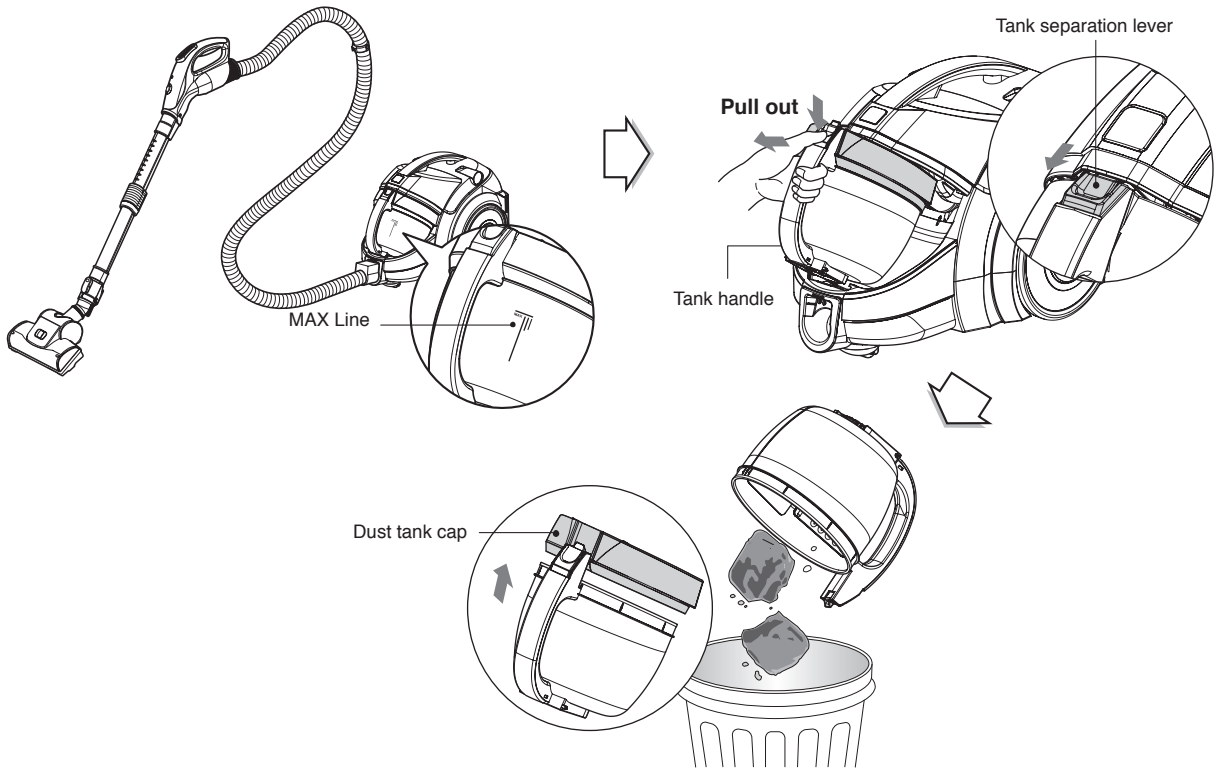
1 Push the button 2-3 times when the dust compartment is full. This should be done while cleaning and vacuum is on.

2 When the dust is fully filled after cleaning, take the bin and turn it counterclockwise to disconnect

3 Empty the dust in the bin.

4 Reattach the bin to the projection part.

How to use Emptying dust tank



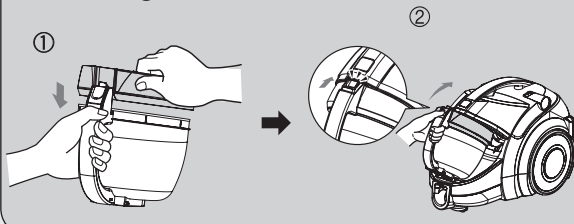
The dust tank needs emptying when the dust tank level reaches the MAX line.

- Turn off the vacuum cleaner and unplug it.
- Grasp the handle of the tank and then press the tank separation lever.
- Pull out the dust tank.
- Empty the tank and then assemble the dust tank as below

NOTICE

- If suction power decreases after emptying dust tank, then reassemble the dust tank and check for other obstacles.
→ See next page

Assembling dust tank

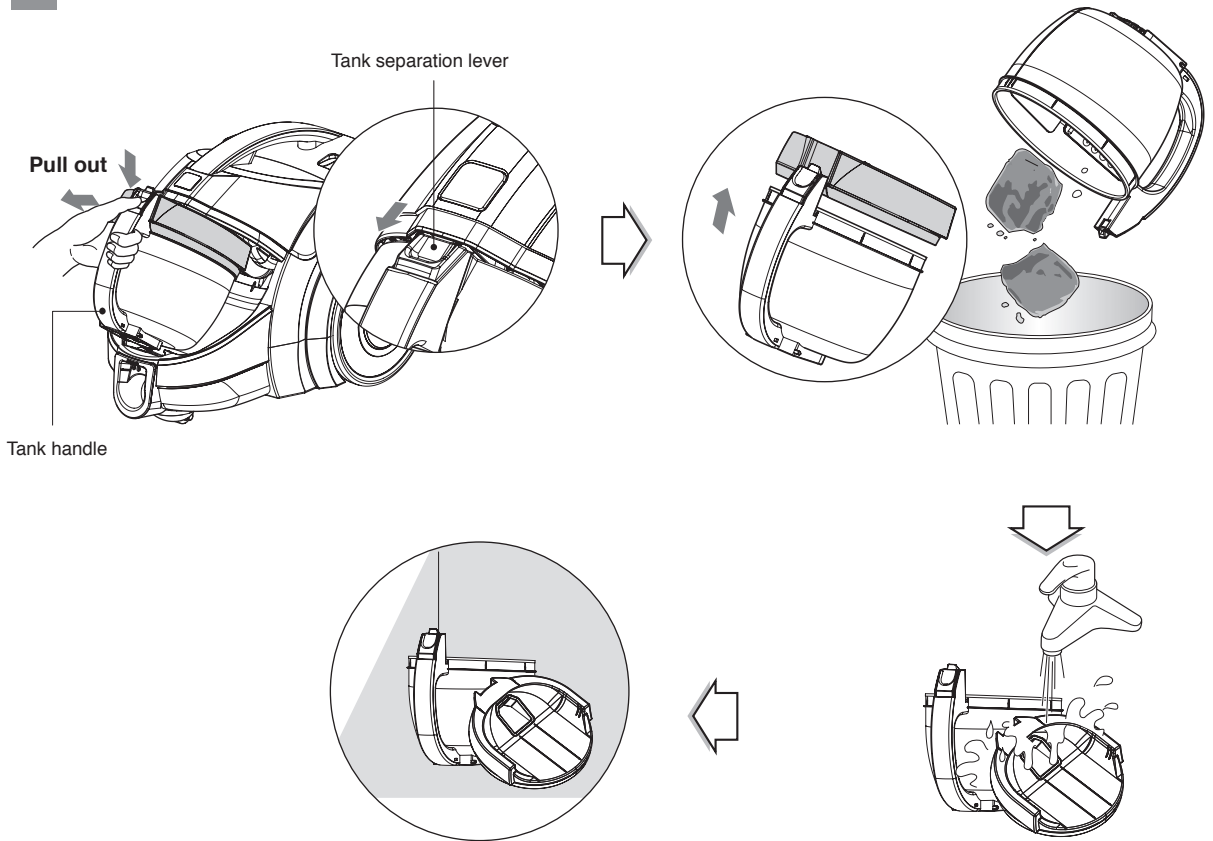


Moving the vacuum cleaner

- Don't grasp the tank handle when you are moving the vacuum cleaner. You should grasp the carrier handle when you are moving the vacuum cleaner.



How to use Cleaning dust tank

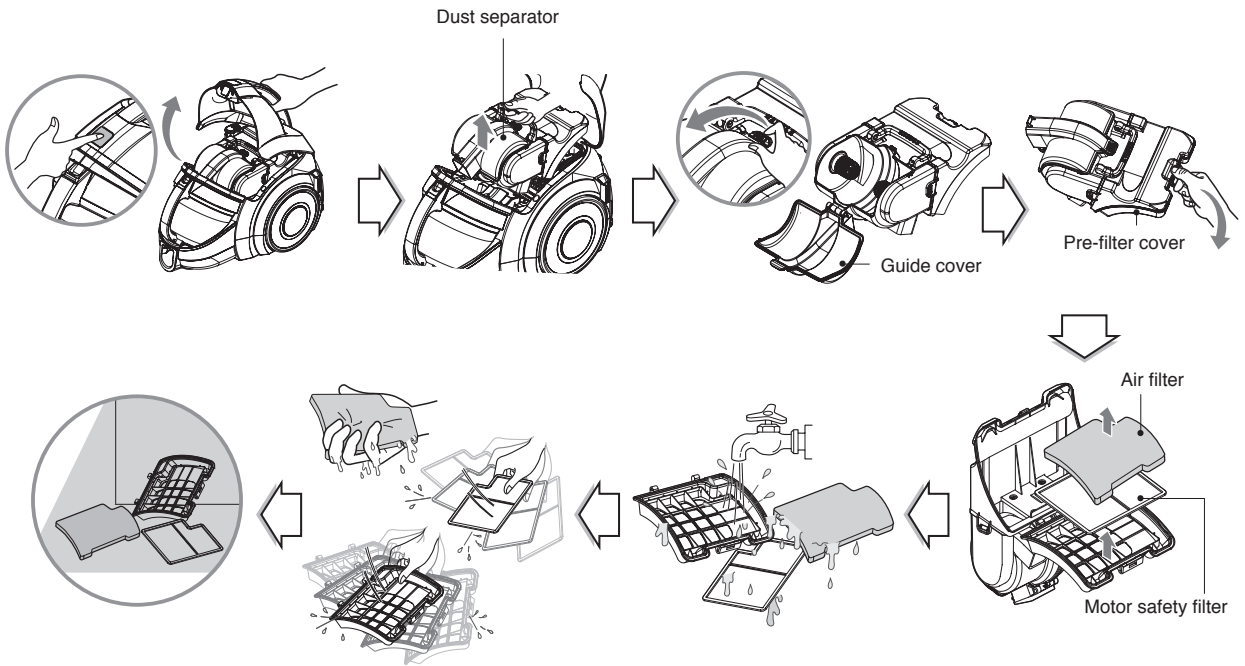


- Press tank separation button and pull out dust tank.
- Raise dust tank cap
- Allow the tank to dry completely before reassembling and use.

NOTICE

If suction power decreases after cleaning dust tank, then clean air filter and motor safety filter. → Next page

How to use Cleaning air filter and motor safety filter



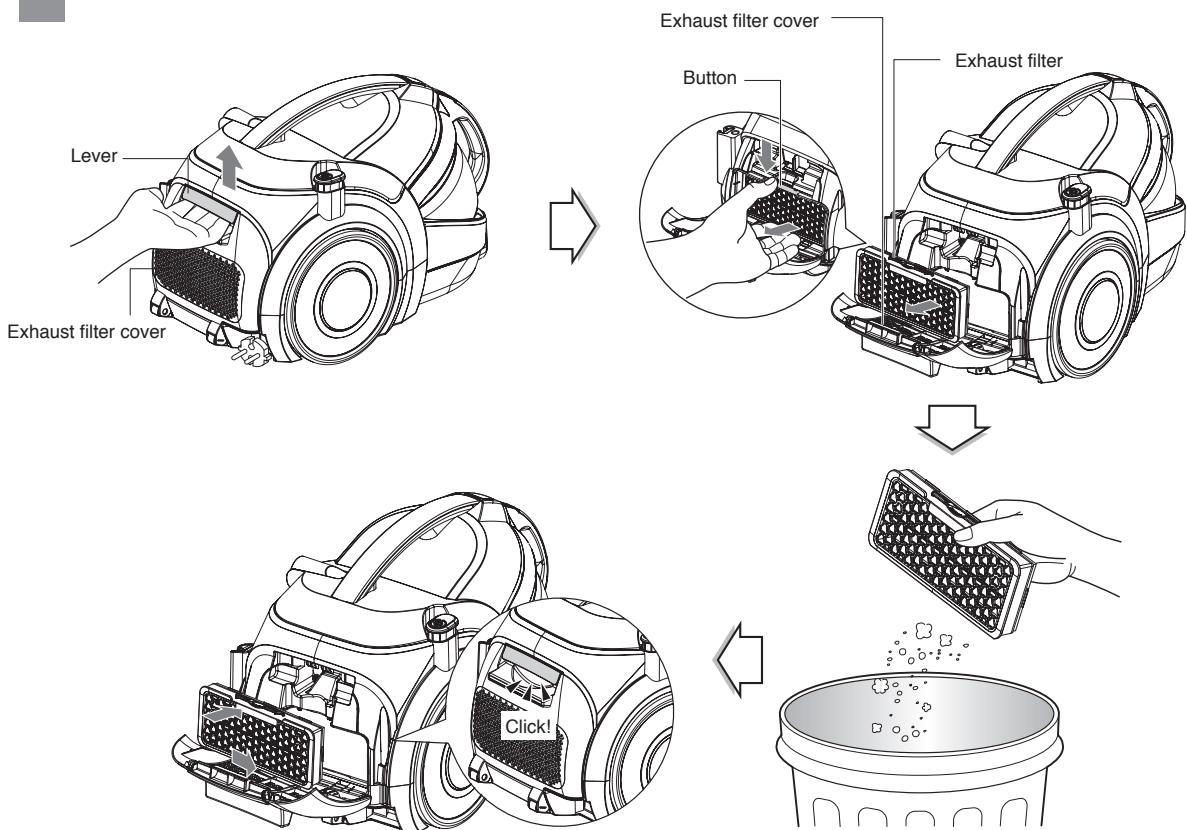
- Open the Vacuum cleaner cover by pushing the button.
- Grasp the handle of the dust separator and take it out.
- Open the guide cover by pulling the guide cover lever and remove dust.
- Open the pre filter cover by pulling the pre filter cover lever and take out pre filter.
- Wash air filter and motor safety filter with water.
- Do not wash filters with hot water.
- Dry fully in shade so that moisture is entirely removed before reinstalling.

NOTE: Never operate the vacuum with wet or damp filters.

NOTICE

If filters are damaged, do not use them.
In this case, contact LG Electronics Service Agent.
Wash filters at least once a month.

How to use Cleaning exhaust filter

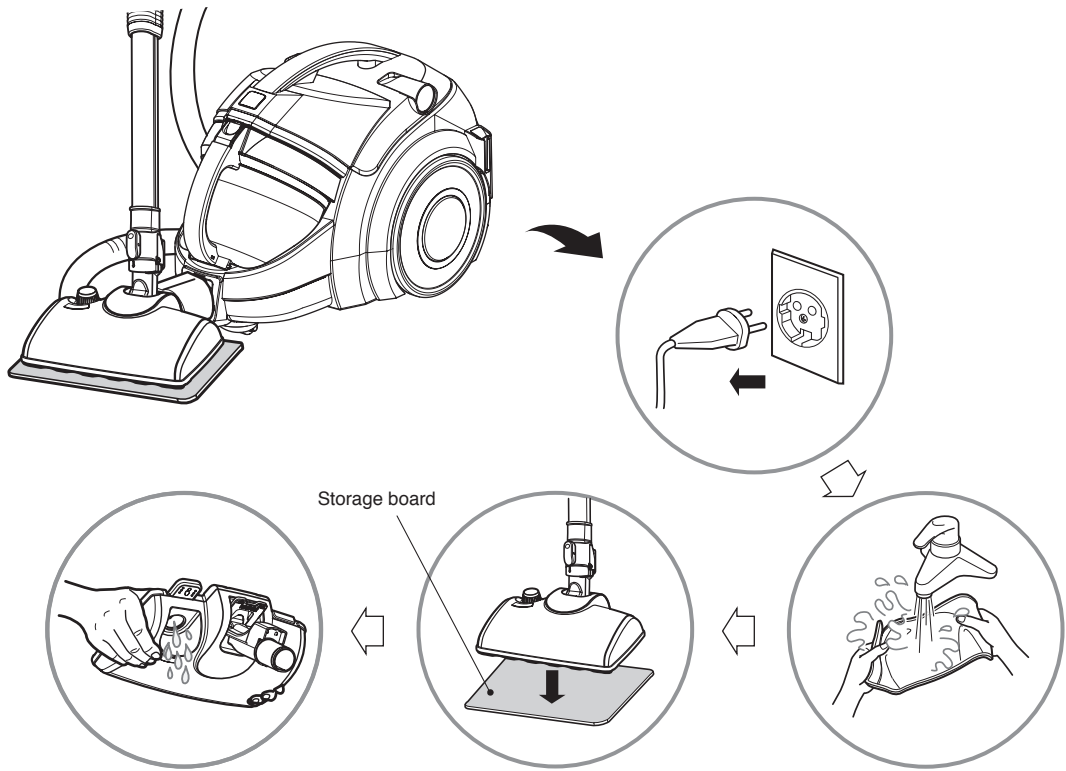


- The exhaust filter is reusable.
- To clean the exhaust filter, remove the exhaust filter cover on the body by pulling it out.
- Separate the exhaust filter.
- Dust off filter. (Do not wash filter with water.)
- The exhaust filter should be cleaned at least once a year or as often as necessary.

Exhaust filter cover reassembly.

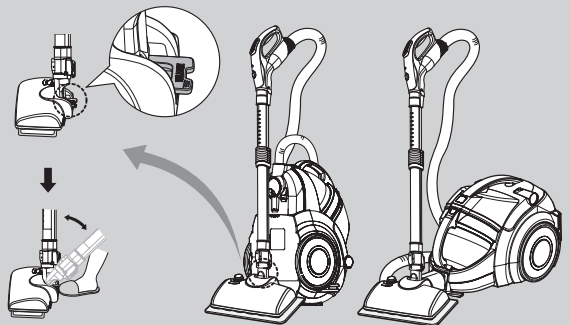
- Fit exhaust filter cover lugs to the grooves of vacuum cleaner body.
- Push it firmly back into place.

How to use Storage method after use



- Turn off the power switch and unplug the power.
- After using the microfiber cloth, directly clean the cloth.
 - Always separate the cloth after cleaning, and wash the cloth. When the cloth is left damp for a long time, it can generate a bad odor.
- Always store the steam cleaning vacuum tool on the storage board.
 - If the hot nozzle is directly left on the floor, it can damage the floor.
- When the product is not used for a long period of time, completely remove any moisture within the nozzle.
 - After the water inside the nozzle is completely cooled, empty the water. When you empty the water right after the cleaning or when the water is very hot, it can damage the product and cause burns. Separate the steam vacuum tool from the pipe before emptying the water from it.

Store like this after using the cleaner

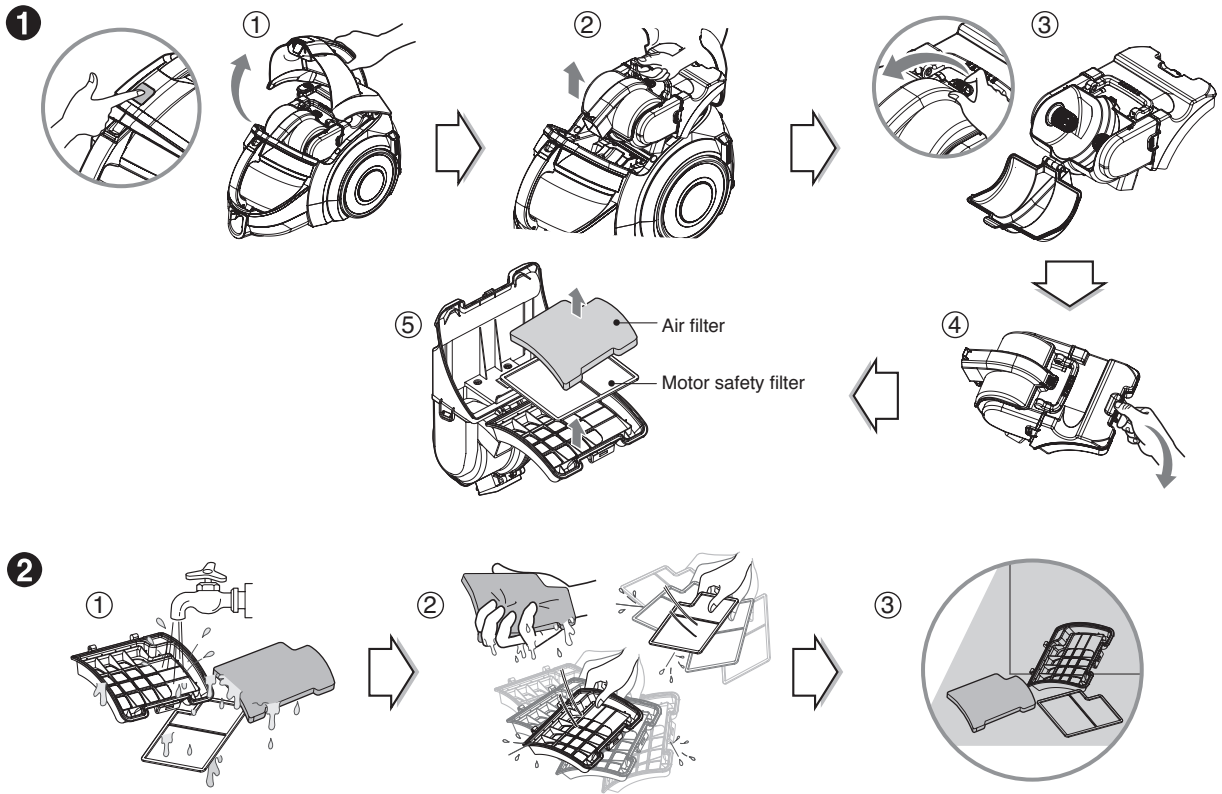


- When you pull up the extension pipe, it will be locked into position after you hear the click sound. Press the foot release lever under the extension pipe fitting to release it for use.

How to use Check before requesting for service

You should not waste money by requesting for service only to find out that it's not a problem.

If you experience any issues with the product, check the following details before contacting the service center or the distributor. You may be able to resolve the issue by a simple instruction from the user manual.



Cleaning and checking the filters in case of poor suction.

1 How to separate

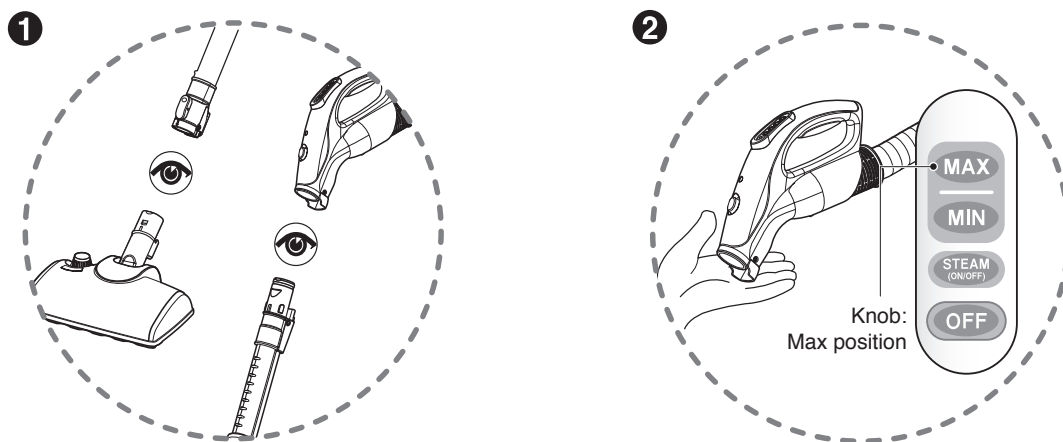
- 1 Press the cleaner cover button, and open the cover of the main unit.
- 2 Hold the handle of the dust separator and pull it up.
- 3 Open the dust separator cover to remove the dust.
- 4 Open the filter cover.
- 5 Pull out the filter case and motor protection filter.

2 How to clean(Clean with cold water.)

- 1 Clean well in flowing water.
- 2 Remove the moisture thoroughly.
- 3 Completely dry it under the shade where it is well ventilated before reusing it.

How to use **Check before requesting for service**

You should not waste money by requesting for service only to find out that it's not a problem. If you experience any issues with the product, check the following details before contacting the service center or the distributor. You may be able to resolve the issue by a simple instruction from the user manual.



Suddenly, the suction is poor and noise is louder than usual.

① Stage 1: Check the nozzle, pipe connection

- ① Check nozzle and pipe inside whether blocked or not
- ② If blocked, remove obstruction [See page 11]
- ③ Check pipe and hose inside whether blocked or not
- ④ If blocked, refer to the stage 2.

② Stage 2: Check the hose inside

- ① Turn on the vacuum cleaner.
- ② Check the hose by opening and closing the hose inlet repeatedly.
- ③ After ② 3 ~ 4 times, the problem will be solved.

Trouble Shooting

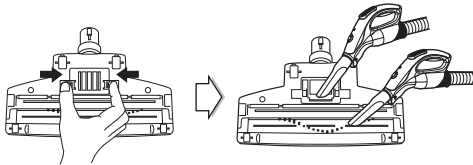
Review this chart to find do-it-yourself solutions for minor performance problems.

Any service or repair needed, other than as described in this User's Guide, should be performed through your local LGE service center.

⚠ WARNING

Electrical shock and personal injury hazard.

Always unplug the vacuum cleaner before servicing. Failure to do so could result in electrical shock or personal injury.

PROBLEM	POSSIBLE CAUSE	POSSIBLE SOLUTION
Vacuum cleaner will not run	<ul style="list-style-type: none"> • Unplugged at wall outlet • Hose is not connected to the body properly • Full or clogged dust tank and filters • Dust tank improperly installed • Clogged hose or wand • Clogged nozzle 	<ul style="list-style-type: none"> • Make sure cord is plugged into a functioning outlet. • Remove the hose from the body and reconnect it properly. [See page 9] • Empty dust tank and clean filters. [See page 23 ~ 26] • Make sure all dust tank components and filters are installed correctly. • Check for clogs. [See page 29]
Poor suction	<ul style="list-style-type: none"> • Full or clogged dust tank and filters • Dust tank improperly installed • Clogged hose or wand • Clogged nozzle 	<ul style="list-style-type: none"> • Empty dust tank and clean filters. [See page 23 ~ 26] • Make sure all dust tank components and filters are installed correctly. • Check for clogs. [See page 29]
Is the noise louder than usual?	<ul style="list-style-type: none"> • Clogged hose or wand • Clogged nozzle 	<ul style="list-style-type: none"> • Check for clogs. [See page 29]
Smell	<ul style="list-style-type: none"> • Smell as the motor spins fast around the surrounding rubber • The filters of dust separator with dust is old or stored for a long time 	<ul style="list-style-type: none"> • It's the smells from new vacuum cleaner. The smell disappears after 1-2 months. It's like the smells from a new car or furniture • Empty dust tank and clean filters. [See page 23 ~ 26]
Agitator does not turn	<ul style="list-style-type: none"> • Clogged nozzle • Pedal improperly positioned. 	<ul style="list-style-type: none"> • Check for clogs. [See page 29]  <ul style="list-style-type: none"> • Check the pedal position [See page 9]



Disposal of your old appliance

1. When this crossed-out wheeled bin symbol is attached to a product it means the product is covered by the European Directive 2002/96/EC.
2. All electrical and electronic products should be disposed of separately from the municipal waste stream via designated collection facilities appointed by the government or the local authorities.
3. The correct disposal of your old appliance will help prevent potential negative consequences for the environment and human health.
4. For more detailed information about disposal of your old appliance, please contact your city office, waste disposal service or the shop where you purchased the product.

