



**LG**

Life's Good

ENGLISH

## OWNER'S MANUAL

# MONITOR SIGNAGE

Please read this manual carefully before operating the your set and retain it for future reference.

### MONITOR SIGNAGE MODELS

26TS30MF

47TS30MF

# CONTENTS

## 3 INSTALLATION PREPARATION

---

- 3 Accessories
- 4 Mounting Holes
- 6 Unpacking and Cabling
- 8 Portrait Layout (Only supported for 47TS30MF)
- 9 Storage Method for Panel Protection
  - 9 - Correct Method
  - 9 - Incorrect Method

## 10 PRODUCT INSTALLATION

---

- 10 Lighting installation
- 11 Installation in Enclosure
- 12 Precaution
  - 12 - Correct Method
  - 12 - Incorrect Method

## 13 TROUBLESHOOTING

---

## 14 SPECIFICATIONS

---

- 14 26TS30MF
- 15 47TS30MF

## 16 LVDS PIN MAP GUIDE

---

- 16 26TS30MF
- 17 47TS30MF

# INSTALLATION PREPARATION

## Accessories

Check your product box for the following items. If there are any missing accessories, contact the local dealer where you purchased your product. The illustrations in this manual may differ from the actual product and accessories.



**CD (Owner's Manual)/  
Card/ Easy Setup Guide**



### CAUTION

- Do not use any unapproved or counterfeit parts or accessories to ensure the safety and product life span.
- Any damages or injuries by using unapproved items are not covered by the warranty.



### NOTE

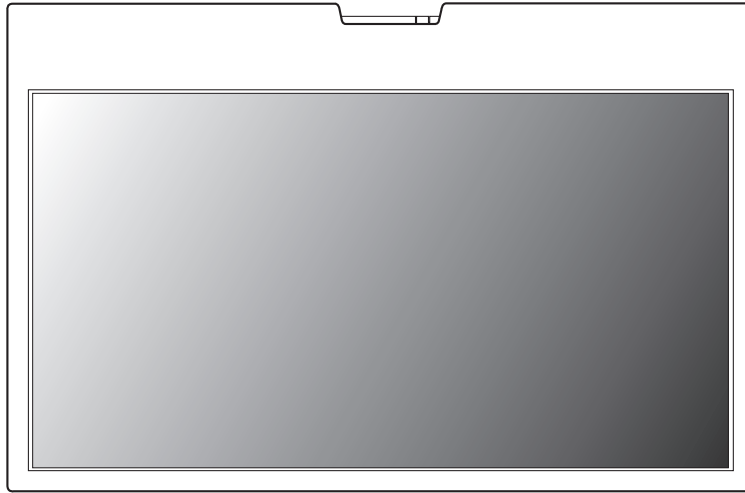
- The accessories supplied with your product may vary depending on the model.
- Product specifications or contents in this manual may be changed without prior notice due to upgrade of product functions.

## Mounting Holes

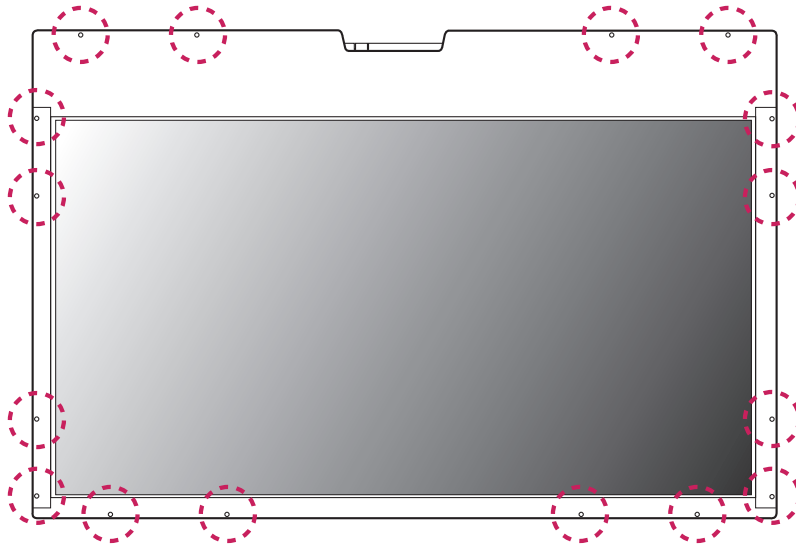
ENGLISH

26TS30MF

Use M3 x 4 mm screws to mount the monitor. There are 16 screw holes on the rear side of the product.



< Front side of the product >



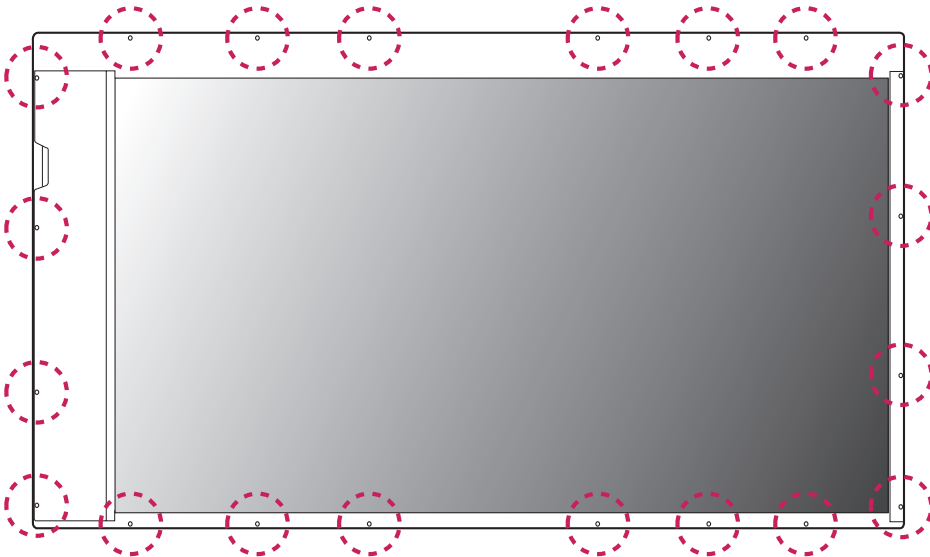
< Rear side of the product >

**47TS30MF**

Use M3 x 4 mm screws to mount the monitor. There are 20 screw holes on the rear side of the product.



< Front side of the product >



< Rear side of the product >

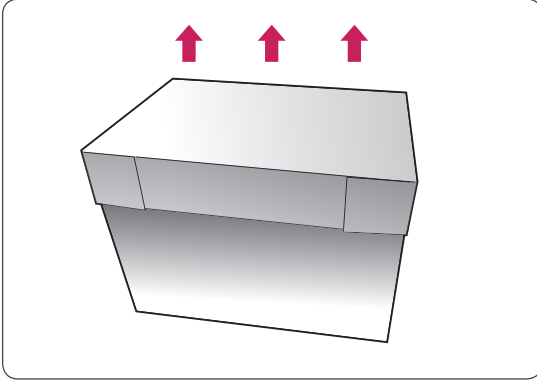
**CAUTION**

- This product has the front and back sides. Make sure the product is installed with the front side facing forward.
- Image is displayed reversely on the back side.

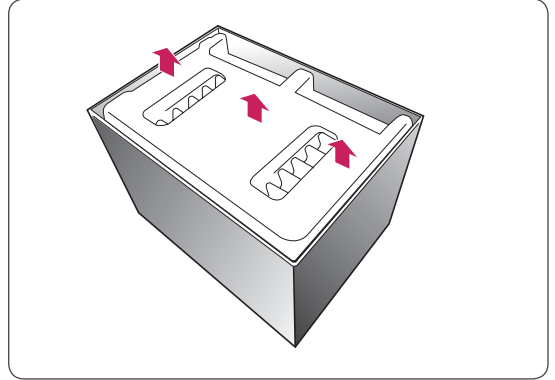
## Unpacking and Cabling

26TS30MF

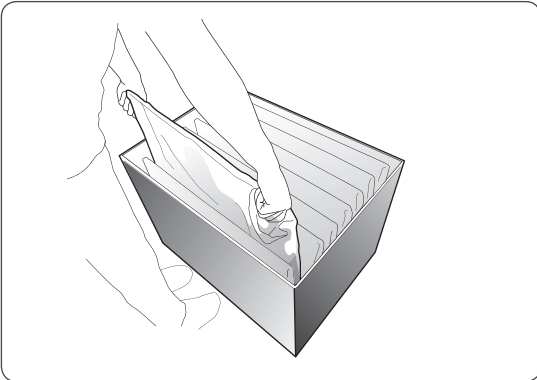
1 Lift up the cover of the box.



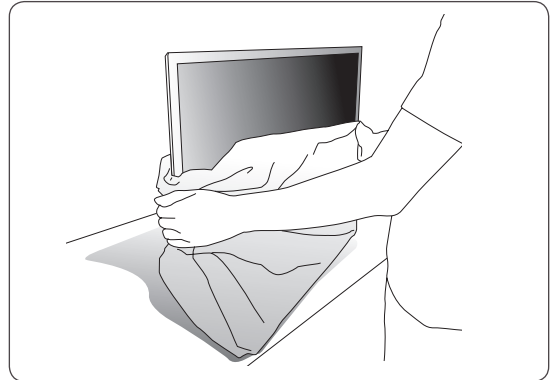
2 Remove the top packaging.



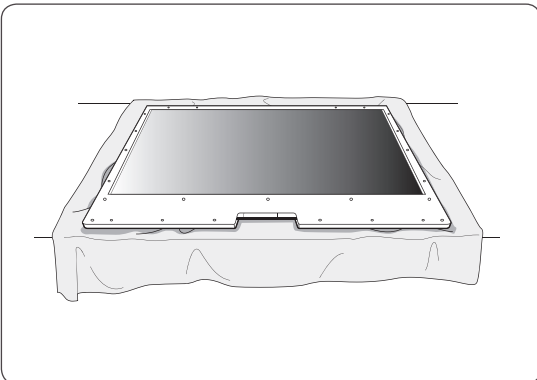
3 Hold both sides of the product and lift it up.



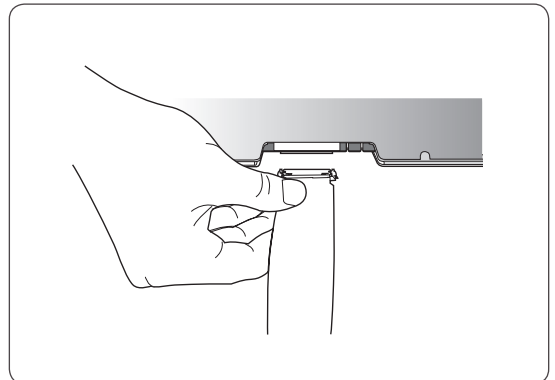
4 Remove the poly bag.



5 Place a soft cloth on the table and put the product down with the screen facing downward.

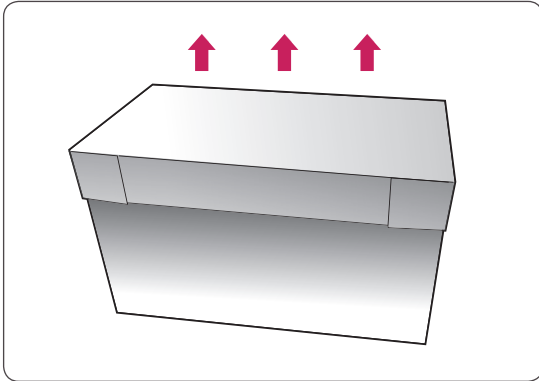


6 Connect the LVDS cable (Additional assembly is required). A scaler board or LVDS cable is optional and not provided with the product.

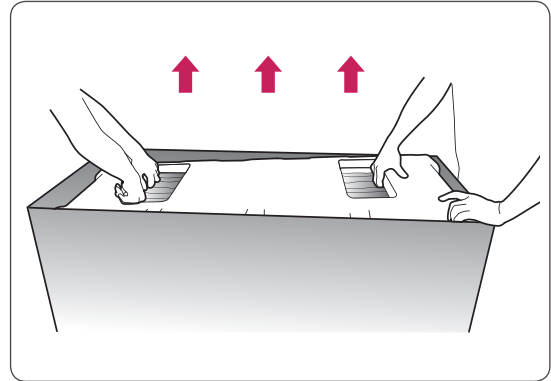


**47TS30MF**

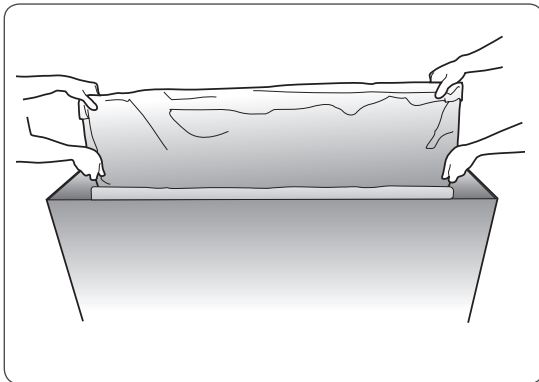
1 Lift up the cover of the box.



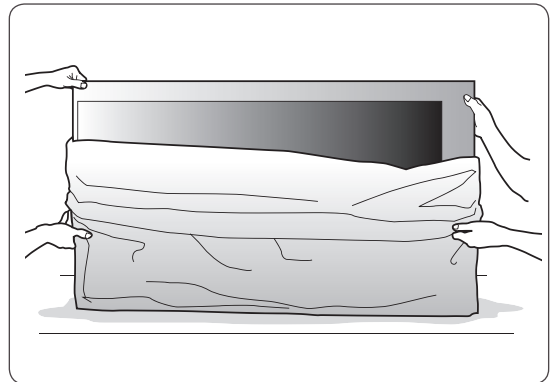
2 Remove the top packaging.



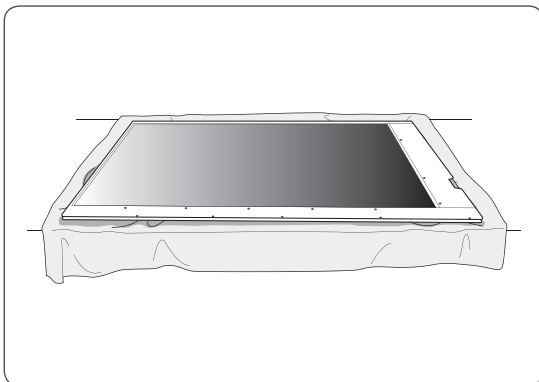
3 Hold both sides of the product and lift it up.



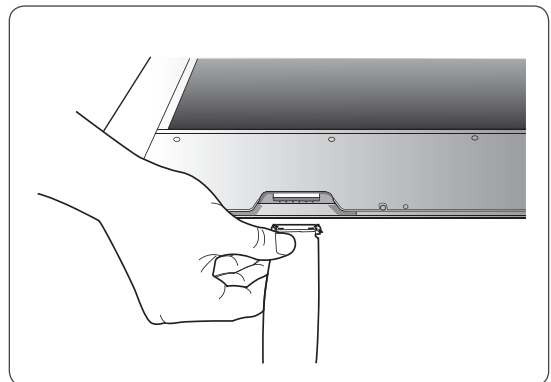
4 Remove the poly bag.



5 Place a soft cloth on the table and put the product down with the screen facing downward.



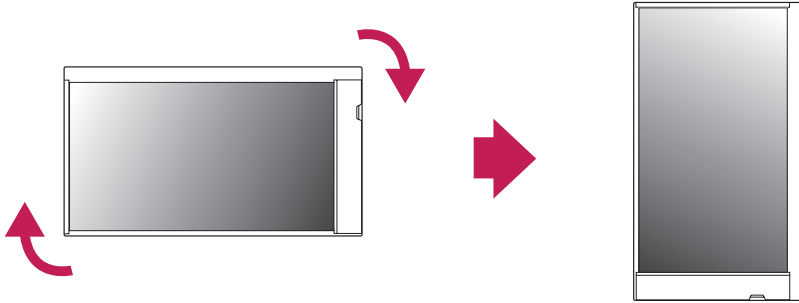
6 Connect the LVDS cable (Additional assembly is required). A scaler board or LVDS cable is optional and not provided with the product.

**NOTE**

- Please refer to "LVDS Pin Map Guide" on pages 16 to 18 for the LVDS cable assembly.

## Portrait Layout (Only supported for 47TS30MF)

To install in portrait mode, rotate the set clockwise 90 degrees when looking at from the front.  
The portrait mode is only available on the scaler board.(The scaler board should support portrait mode.)



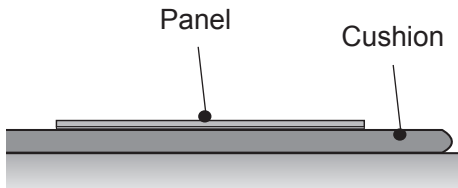
### CAUTION

- The 26TS30MF model cannot be rotated.
- The scaler board is optional and it is not part of the product.



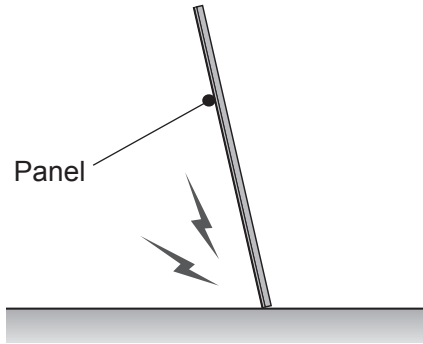
## Storage Method for Panel Protection

### Correct Method

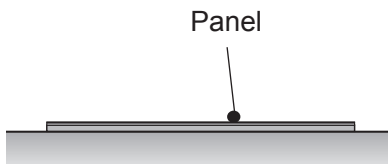


When laying down the product, place a cushion or a soft cloth on a flat floor. Put the product down with the panel of the product facing down.

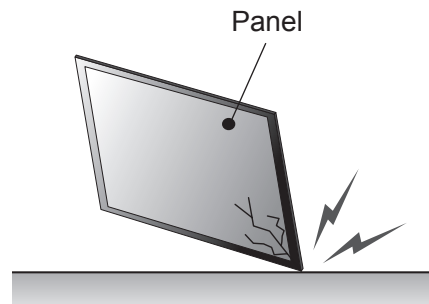
### Incorrect Method



If the product is tilted onto the bezel, the bottom of the panel may be damaged.



If there is no a cushion or a soft cloth available, ensure the floor is clean. Then lay the product down carefully with the panel facing either upward or downward. At this time, make sure that no object falls on the panel.



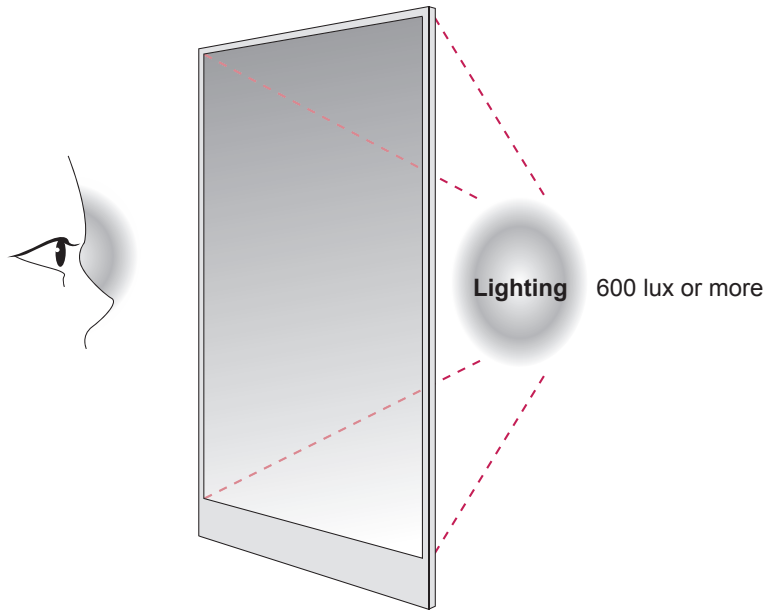
If the product is tilted onto the edge of the panel, the panel may be damaged.

# PRODUCT INSTALLATION

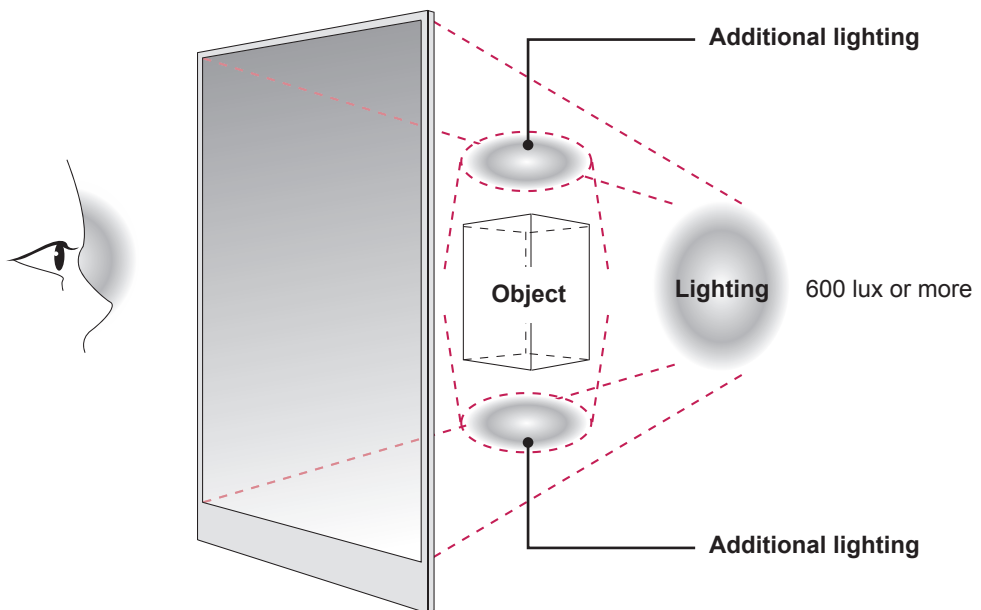
## Lighting installation

This product must be installed with lighting.

Lighting must be installed behind the product so that the display can be seen clearly.



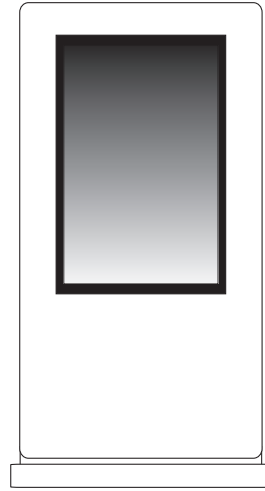
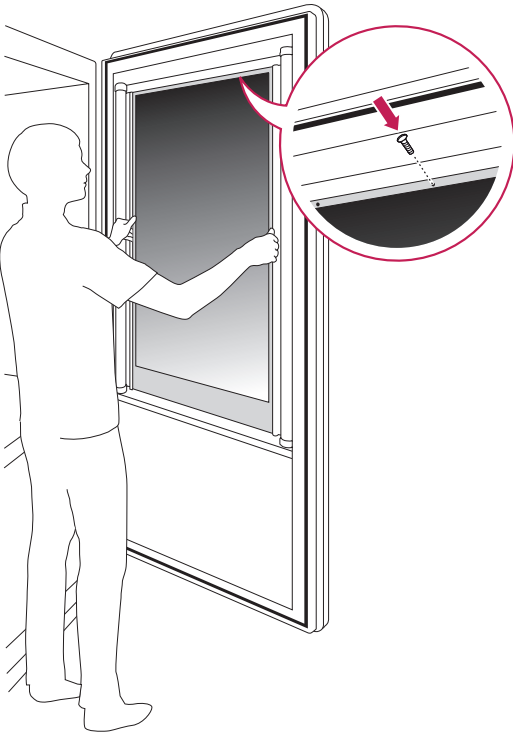
Installing a certain object behind the screen may require additional lighting.



## Installation in Enclosure

Install the product in the enclosure.

- 1 Place the product in the enclosure.
- 2 Attach the product using the prepared screw holes and an additional enclosure guide frame.



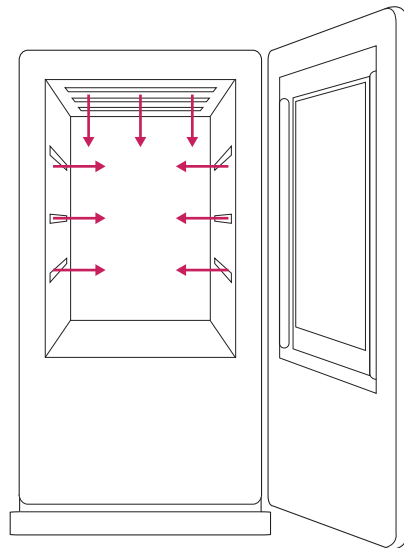
< Example of the product in the enclosure >

### NOTE

- This product can be installed in various locations besides the enclosure.

### CAUTION

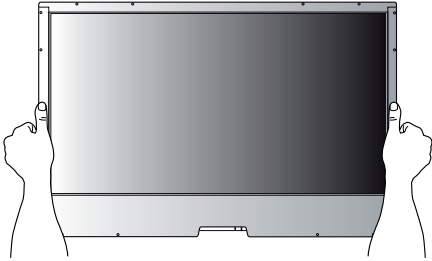
- The panel of this product is so thin that it can be easily broken when it is exposed to the outside. Please use the protective glass to prevent the product from directly being exposed to the outside.



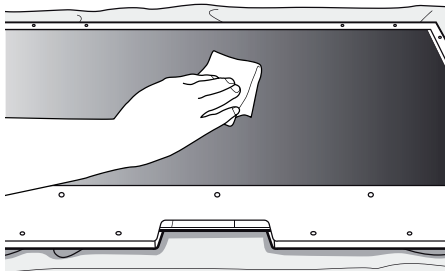
< Example of the lighting installation >  
Lighting must be installed in the enclosure.

## Precaution

### Correct Method

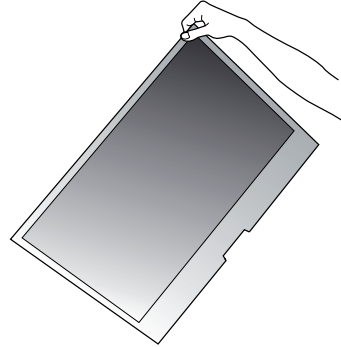


Do not hold the screen area when holding the product.



Use a soft cloth moistened with n-hexane to remove dust or stains on the screen.

### Incorrect Method



Do not lift up the product by holding a corner.



### CAUTION

- Make sure the power is disconnected before moving or installing the product. Otherwise electric shock may occur.
- If you install the product on a ceiling or slanted wall, it may fall and result in severe injury.
- Do not fasten the screws too tightly; this may cause damage to the product and void your warranty.
- Use M3 x 4 mm screws to mount the monitor. Any damages or injuries caused by misuse or use of improper accessories are not covered by the warranty.

# TROUBLESHOOTING

## After-image appears on the product.

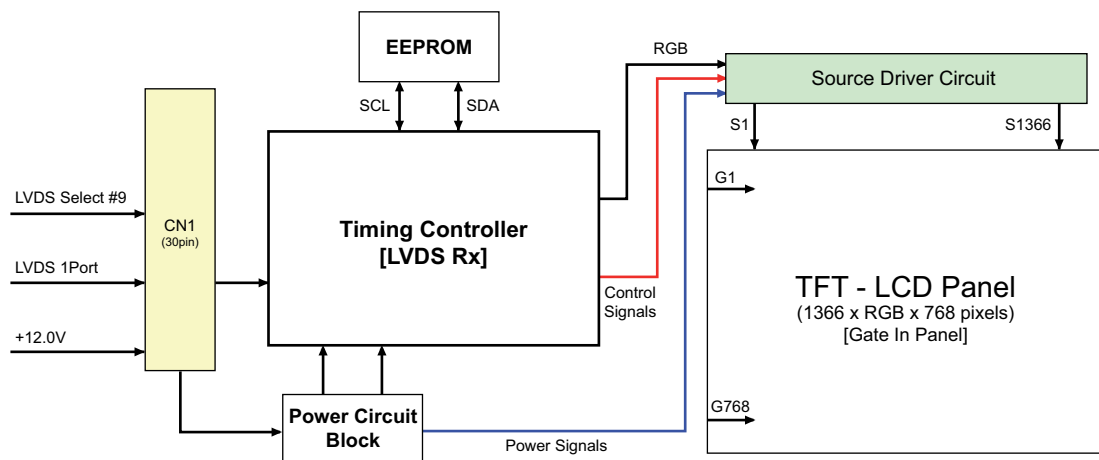
Problem	Resolution
After-image appears when the product is turned off.	<ul style="list-style-type: none"><li>• If you use a fixed image for a long time, the pixels may be damaged quickly. Use the screen-saver function.</li></ul>

## Screen color is abnormal.

Problem	Resolution
Screen color is unstable or mono-colored.	<ul style="list-style-type: none"><li>• Check the connection status of the LVDS cable.</li><li>• Check whether the LVDS cable is connected correctly following the "LVDS Pin Map Guide".</li></ul>
Do black spots appear on the screen?	<ul style="list-style-type: none"><li>• Several pixels (red, green, white or black color) may appear on the screen, which can be attributable to the unique characteristics of the LCD panel. It is not a malfunction of the LCD.</li></ul>

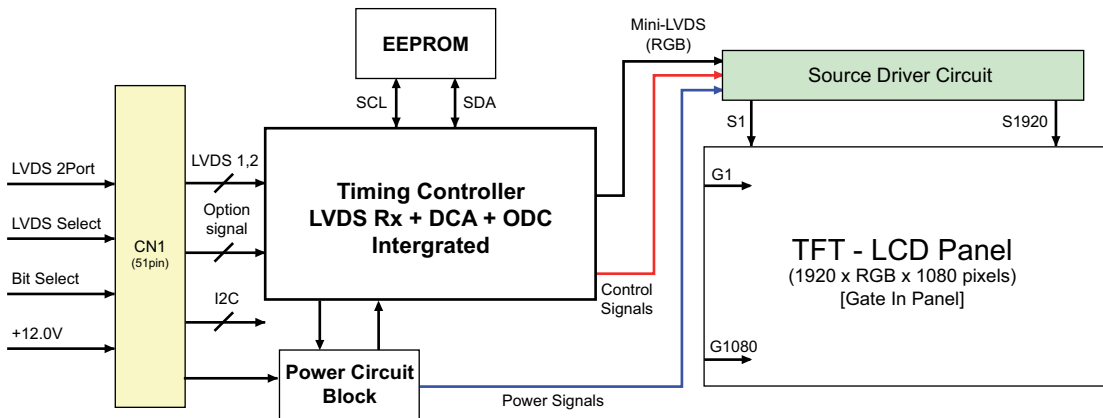
# SPECIFICATIONS

## 26TS30MF



Screen Size	26.01 inche (660.6 mm) diagonal
Dimension(W x H x D)	609 mm x 412.8 mm x 8.8 mm
Pixel Pitch	140.5 $\mu\text{m}$ x RGB X 421.5 $\mu\text{m}$
Pixel Format	1366 horiz. by 768 vert. pixels RGB stripe arrangement
Color Depth	8bit(D), 16,7 M colors
Transmittance (With POL)	4.84 % (Typ.)
Viewing Angle (CR>10)	Viewing angle free ( R/L 178(Min.), U/D 178(Min.))
Power Consumption	Total 2.7 W (Typ)(TBD)
Weight(head)	1.62 kg
Display Operating Mode	Transmissive mode, Normally black
Surface Treatment (Top)	Hard coating(3H), Anti-glare treatment of the front polarizer (Haze 10 %)
Possible Display Type	Landscape only

## 47TS30MF



Screen Size	46.96 inch (1192.87mm) diagonal
Dimension(W x H x D)	1165.9 mm x 663.27 x 8.8 mm
Pixel Pitch	0.5415 mm x 0.5415 mm
Pixel Format	1920 horiz. by 1080 vert. Pixels, RGB stripe arrangement
Color Depth	10Bit (D), 1.07 Billion colors
Transmittance (With POL)	5,5 %(Typ.)
Viewing Angle (CR>10)	Viewing angle free ( R/L 178 (Min.), U/D 178 (Min.))
Power Consumption	Total 6.6W (Typ.)(TBD)
Weight(head)	4.56 kg
Display Operating Mode	Transmissive mode, Normally black
Surface Treatment (Top)	Hard coating(3H), Anti-glare treatment (Reflectance < 2 %),
Possible Display Type	Landscape and Portrait Enabled

# LVDS PIN MAP GUIDE

## 26TS30MF

- LVDS Connector(CN1) : KDF71G-30S-1H(Hirose) or Compatible, Refer to below table.
- Mating Connector : FI-X30C2L(Manufactured by JAE) or Equivalent
- Cable length: 1 m of FFC cable or less

Pin No.	Symbol	Description	Note
1	VLCD	Power Supply+12.0V	
2	VLCD	Power Supply+12.0V	
3	VLCD	Power Supply+12.0V	
4	VLCD	Power Supply+12.0V	
5	GND	Ground	
6	GND	Ground	
7	GND	Ground	
8	GND	Ground	
9	LVDS Select	'H' = JEIDA, 'L' or NC = VESA	
10	NC	No Connection	4
11	GND	Ground	
12	RA-	LVDS Receiver Signal(-)	
13	RA+	LVDS Receiver Signal(+)	
14	GND	Ground	
15	RB-	LVDS Receiver Signal(-)	
16	RB+	LVDS Receiver Signal(+)	
17	GND	Ground	
18	RC-	LVDS Receiver Signal(-)	
19	RC+	LVDS Receiver Signal(+)	
20	GND	Ground	
21	RCLK-	LVDS Receiver Clock Signal(-)	
22	RCLK+	LVDS Receiver Clock Signal(+)	
23	GND	Ground	
24	RD-	LVDS Receiver Signal(-)	
25	RD+	LVDS Receiver Signal(+)	
26	GND	Ground	
27	NC	No Connection (Note 4)	4
28	NC	No Connection (Note 4)	4
29	NC	No Connection (Note 4)	4
30	GND	Ground	

- Note :
1. All GND (Ground) pins should be connected together to the LCD module's metal frame.
  2. All VLCD (power input) pins should be connected together.
  3. All Input levels of LVDS signals are based on the EIA 644 Standard.
  4. These pins are used only for LGD (Do not connect).



## 47TS30MF

- LVDS Connector(CN1) : FI-RE51S-HF or Equivalent, Refer to below table.
- Mating Connector : FI-RE51S or Equivalent
- Cable length: 1 m of coaxial cable or less

Pin No.	Symbol	Description	Note
1	GND	Ground	1
2	NC	No Connection	4
3	NC	No Connection	4
4	NC	No Connection (Reserved for LGD)	4
5	NC	No Connection (Reserved for LGD)	4
6	NC	No Connection (Reserved for LGD)	4
7	LVDS Select	'H' = JEIDA, 'L' or NC = VESA	
8	NC	No Connection	
9	NC	No Connection	
10	NC	No Connection	
11	GND	Ground	1
12	RO0N	FIRST LVDS Receiver Signal(A-)	
13	RO0P	FIRST LVDS Receiver Signal(A+)	
14	RO1N	FIRST LVDS Receiver Signal(B-)	
15	RO1P	FIRST LVDS Receiver Signal(B+)	
16	RO2N	FIRST LVDS Receiver Signal(C-)	
17	RO2P	FIRST LVDS Receiver Signal(C+)	
18	GND	Ground	1
19	ROCLKN	FIRST LVDS Receiver Clock Signal(A-)	
20	ROCLKP	FIRST LVDS Receiver Clock Signal(A+)	
21	GND	Ground	1
22	RO3N	FIRST LVDS Receiver Signal(D-)	
23	RO3P	FIRST LVDS Receiver Signal(D+)	
24	RO4N	FIRST LVDS Receiver Signal(E-)	5
25	RO4P	FIRST LVDS Receiver Signal(E+)	5
26	NC	No Connection	
27	Bit Select	'H' or NC = 10bit(D), 'L' = 8bit	
28	RE0N	SECOND LVDS Receiver Signal(A-)	
29	RE0P	SECOND LVDS Receiver Signal(A+)	
30	RE1N	SECOND LVDS Receiver Signal(B-)	
31	RE1P	SECOND LVDS Receiver Signal(B+)	
32	RE2N	SECOND LVDS Receiver Signal(C-)	
33	RE2P	SECOND LVDS Receiver Signal(C+)	
34	GND	Ground	1
35	RECLKN	SECOND LVDS Receiver Clock Signal(-)	
36	RECLKP	SECOND LVDS Receiver Clock Signal(+)	
37	GND	Ground	1
38	RE3N	SECOND LVDS Receiver Signal(D-)	
39	RE3P	SECOND LVDS Receiver Signal(D+)	
40	RE4N	SECOND LVDS Receiver Signal(E-)	5
41	RE4P	SECOND LVDS Receiver Signal(E+)	5

Pin No.	Symbol	Description	Note
42	NC	No Connection	
43	NC	No Connection	
44	NC	No Connection	
45	GND	Ground	
46	GND	Ground	
47	GND	Ground	
48	VLCD	Power Supply+12.0V	2
49	VLCD	Power Supply+12.0V	2
50	VLCD	Power Supply+12.0V	2
51	VLCD	Power Supply+12.0V	2

- Note :
1. All GND (Ground) pins should be connected together to the LCD module's metal frame.
  2. All VLCD (power input) pins should be connected together.
  3. All Input levels of LVDS signals are based on the EIA 644 Standard.
  4. Specific pins(pin No. #2~#6) are used for internal data process of the LCD module.  
These pins should be no connections.
  5. LVDS pin (pin No. #24,25,40,41) are used for 10Bit(D) of the LCD module.  
If used for 8Bit(R), these pins are no connection.



Make sure to read the Safety Precautions before using the product.  
Keep the Owner's Manual(CD) in an accessible place for future reference.  
The model and serial number of the SET is located on the back and one side of the SET.  
Record it below should you ever need service.

MODEL \_\_\_\_\_

SERIAL \_\_\_\_\_

Temporary noise is normal when powering ON or OFF this device.