



LG

Life's Good

OWNER'S MANUAL

LED LCD TV / LCD TV

Please read this manual carefully before operating your set and retain it for future reference.

LED LCD TV MODELS

32LS3400	22LS3500	22LS3510	47LS4500
42LS3400	26LS3500	26LS3510	55LS4500
32LS3410	32LS3500	32LS3510	
32LS3450			
42LS3450			

LCD TV MODELS


32CS460	32CS560
32CS461	37CS560
42CS530	42CS560


IMPORTANT SAFETY INSTRUCTIONS

Always comply with the following precautions to avoid dangerous situations and ensure peak performance of your product.



TO REDUCE THE RISK OF ELECTRIC SHOCK DO NOT REMOVE COVER (OR BACK). NO USER SERVICEABLE PARTS INSIDE. REFER TO QUALIFIED SERVICE PERSONNEL.

 The lightning flash with arrowhead symbol, within an equilateral triangle, is intended to alert the user to the presence of uninsulated “dangerous voltage” within the product’s enclosure that may be of sufficient magnitude to constitute a risk of electric shock to persons.

 The exclamation point within an equilateral triangle is intended to alert the user to the presence of important operating and maintenance (servicing) instructions in the literature accompanying the appliance.

WARNING/CAUTION
- TO REDUCE THE RISK OF FIRE AND ELECTRIC SHOCK, DO NOT EXPOSE THIS PRODUCT TO RAIN OR MOISTURE.

Read these instructions.
Keep these instructions.
Heed all warnings.
Follow all instructions.



- Do not use this apparatus near water.



- Clean only with a dry cloth.



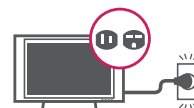
- Do not block any ventilation openings. Install in accordance with the manufacturer’s instructions.



- Do not install near any heat sources such as radiators, heat registers, stoves, or other apparatus (including amplifiers) that produce heat.



- Do not defeat the safety purpose of the polarized or grounding-type plug. A polarized plug has two blades with one wider than the other. A grounding type plug has two blades and a third grounding prong. The wide blade or the third prong are provided for your safety. If the provided plug does not fit into your outlet, consult an electrician for replacement of the obsolete outlet (Can differ by country).



- Protect the power cord from being walked on or pinched particularly at plugs, convenience receptacles, and the point where they exit from the apparatus.



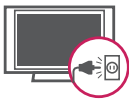
- Only use attachments/accessories specified by the manufacturer.



- Use only with a cart, stand, tripod, bracket, or table specified by the manufacturer, or sold with the apparatus. When a cart is used, use caution when moving the cart/apparatus combination to avoid injury from tip-over.



- Unplug this apparatus during lightning storms or when unused for long periods of time.



- Refer all servicing to qualified service personnel. Servicing is required when the apparatus has been damaged in any way, such as power-supply cord or plug is damaged, liquid has been spilled or objects have fallen into the apparatus, the apparatus has been exposed to rain or moisture, does not operate normally, or has been dropped.



- Do not stick metal objects or any other conductive material into the power cord. Do not touch the end of the power cord while it is plugged in.



- Keep the packing anti-moisture material or vinyl packing out of the reach of children. Anti-moisture material is harmful if swallowed. If swallowed by mistake, force the patient to vomit and visit the nearest hospital. Additionally, vinyl packing can cause suffocation. Keep it out of the reach of children.

- CAUTION concerning the Power Cord (Can differ by country):

It is recommended that appliances be placed upon a dedicated circuit; that is, a single outlet circuit which powers only that appliance and has no additional outlets or branch circuits. Check the specification page of this owner's manual to be certain. Do not connect too many appliances to the same AC power outlet as this could result in fire or electric shock. Do not overload wall outlets. Overloaded wall outlets, loose or damaged wall outlets, extension cords, frayed power cords, or damaged or cracked wire insulation are dangerous. Any of these conditions could result in electric shock or fire. Periodically examine the cord of your appliance, and if its appearance indicates damage or deterioration, unplug it, discontinue use of the appliance, and have the cord replaced with an exact replacement part by an authorized service. Protect the power cord from physical or mechanical abuse, such as being twisted, kinked, pinched, closed in a door, or walked upon. Pay particular attention to plugs, wall outlets, and the point where the cord exits the appliance. Do not move the TV with the power cord plugged in. Do not use a damaged or loose power cord. Be sure do grasp the plug when unplugging the power cord. Do not pull on the power cord to unplug the TV.

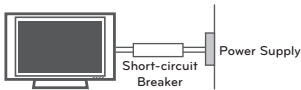
- **Warning** - To reduce the risk of fire or electrical shock, do not expose this product to rain, moisture or other liquids. Do not touch the TV with wet hands. Do not install this product near flammable objects such as gasoline or candles, or expose the TV to direct air conditioning.



- Do not expose to dripping or splashing and do not place objects filled with liquids, such as vases, cups, etc. on or over the apparatus (e.g. on shelves above the unit).



- **Grounding**
(Except for devices which are not grounded.) Ensure that you connect the earth ground wire to prevent possible electric shock (i.e. a TV with a three-prong grounded AC plug must be connected to a three-prong grounded AC outlet). If grounding methods are not possible, have a qualified electrician install a separate circuit breaker. Do not try to ground the unit by connecting it to telephone wires, lightning rods, or gas pipes.



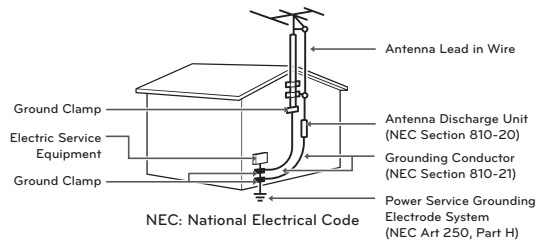
- **DISCONNECTING DEVICE FROM THE MAIN POWER**
Mains plug is the disconnecting device. The plug must remain readily operable.

- As long as this unit is connected to the AC wall outlet, it is not disconnected from the AC power source even if the unit is turned off.
- Do not attempt to modify this product in any way without written authorization from LG Electronics. Unauthorized modification could void the user's authority to operate this product.

• **ANTENNAS Outdoor antenna grounding**
(Can differ by country):

If an outdoor antenna is installed, follow the precautions below. An outdoor antenna system should not be located in the vicinity of overhead power lines or other electric light or power circuits, or where it can come in contact with such power lines or circuits as death or serious injury can occur. Be sure the antenna system is grounded so as to provide some protection against voltage surges and built-up static charges. Section 810 of the National Electrical Code (NEC) in the U.S.A. provides information with respect to proper grounding of the mast and supporting structure, grounding of the lead-in wire to an antenna discharge unit, size of grounding conductors, location of antenna discharge unit, connection to grounding electrodes and requirements for the grounding electrode.

Antenna grounding according to the National Electrical Code, ANSI/NFPA 70



- **Cleaning**

When cleaning, unplug the power cord and wipe gently with a soft cloth to prevent scratching. Do not spray water or other liquids directly on the TV as electric shock may occur. Do not clean with chemicals such as alcohol, thinners or benzene.

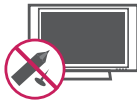
- **Moving**

Make sure the product is turned off, unplugged and all cables have been removed. It may take 2 or more people to carry larger TVs. Do not press or put stress on the front panel of the TV.

- **Ventilation**

Install your TV where there is proper ventilation. Do not install in a confined space such as a bookcase. Do not cover the product with cloth or other materials while plugged. Do not install in excessively dusty places.

- If you smell smoke or other odors coming from the TV, unplug the power cord and contact an authorized service center.
- Do not press strongly upon the panel with a hand or a sharp object such as a nail, pencil or pen, or make a scratch on it.
- Keep the product away from direct sunlight.



- Never touch this apparatus or antenna during a thunder or lightning storm.
- When mounting a TV on the wall, make sure not to install the TV by hanging the power and signal cables on the back of the TV.
- Do not allow an impact shock or any objects to fall into the product, and do not drop anything onto the screen.

- **Dot Defect**

The Plasma or LCD panel is a high technology product with resolution of two million to six million pixels. In a very few cases, you could see fine dots on the screen while you're viewing the TV. Those dots are deactivated pixels and do not affect the performance and reliability of the TV.

- **Generated Sound**

"Cracking" noise: A cracking noise that occurs when watching or turning off the TV is generated by plastic thermal contraction due to temperature and humidity. This noise is common for products where thermal deformation is required.

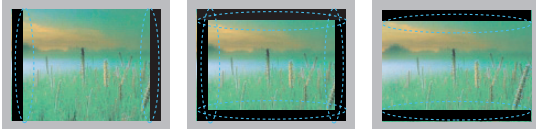
Electrical circuit humming/panel buzzing: A low level noise is generated from a high-speed switching circuit, which supplies a large amount of current to operate a product. It varies depending on the product.

This generated sound does not affect the performance and reliability of the product.

- Take care not to touch the ventilation openings. When watching the TV for a long period, the ventilation openings may become hot. This does not affect the performance of the product or cause defects in the product.
- If the TV feels cold to the touch, there may be a small "flicker" when it is turned on. This is normal, there is nothing wrong with TV. Some minute dot defects may be visible on the screen, appearing as tiny red, green, or blue spots. However, they have no adverse effect on the TV's performance. Avoid touching the LCD screen or holding your finger(s) against it for long periods of time. Doing so may produce some temporary distortion effects on the screen.

DISPOSAL (Hg lamp only used in LCD TVs)

The fluorescent lamp used in this product contains a small amount of mercury. Do not dispose of this product with general household waste. Disposal of this product must be carried out in accordance to the regulations of your local authority.

Preventing "Image burn" or "Burn-in" on your TV screen

- If a fixed image displays on the TV screen for a long period of time, it will be imprinted and become a permanent disfigurement on the screen. This is "image burn" or "burn-in" and not covered by the warranty.
- If the aspect ratio of the TV is set to 4:3 for a long period of time, image burn may occur on the letterboxed area of the screen.
- Avoid displaying a fixed image on the TV screen for a long period of time (2 or more hours for LCD, 1 or more hours for the Plasma TV) to prevent image burn.

For USA and Canada

FCC NOTICE

This equipment has been tested and found to comply with the limits for a Class B digital device, pursuant to Part 15 of the FCC Rules. These limits are designed to provide reasonable protection against harmful interference in a residential installation. This equipment generates, uses and can radiate radio frequency energy and, if not installed and used in accordance with the instructions, may cause harmful interference to radio communications. However, there is no guarantee that interference will not occur in a particular installation. If this equipment does cause harmful interference to radio or television reception, which can be determined by turning the equipment off and on, the user is encouraged to try to correct the interference by one or more of the following measures:

- Reorient or relocate the receiving antenna.
- Increase the separation between the equipment and the receiver.
- Connect the equipment to an outlet on a circuit different from that to which the receiver is connected.
- Consult the dealer or an experienced radio/TV technician for help.

This device complies with part 15 of the FCC Rules. Operation is subject to the following two conditions: (1) this device may not cause harmful interference and (2) this device must accept any interference received, including interference that may cause undesired operation of the device. Any changes or modifications in construction of this device which are not expressly approved by the party responsible for compliance could void the user's authority to operate the equipment.

NOTE TO CABLE/TV INSTALLER

This reminder is provided to call the CATV system installer's attention to Article 820-40 of the National Electric Code (U.S.A.). The code provides guidelines for proper grounding and, in particular, specifies that the cable ground shall be connected to the grounding system of the building, as close to the point of the cable entry as practical.

Additional information of the manual

Viewing the owner's manual

The owner's manual in PDF file format is supplied on the enclosed CD. Install the Adobe Acrobat Reader to view the owner's manual on your PC.

- 1 Insert the supplied CD.
The web page appears automatically.
- 2 Click Owner's Manual on the web page.
- 3 View the owner's manual.



NOTE

- If the web page does not appear automatically, access My computer and then click LG and **index.html** to view the owner's manual.

TABLE OF CONTENTS

2 IMPORTANT SAFETY INSTRUCTIONS

7 Additional information of the manual

8 TABLE OF CONTENTS

9 INSTALLATION PROCEDURE

9 ASSEMBLING AND PREPARING

- 9 Unpacking
- 16 Parts and buttons
- 20 Lifting and moving the TV
- 21 Setting up the TV
 - 21 - Attaching the stand
 - 29 - Mounting on a table
 - 31 - Mounting on a wall
 - 32 - Tidying cables

33 MAKING CONNECTIONS

- 33 Connecting to an antenna or cable
- 34 Connecting to a HD receiver, DVD, or VCR player
 - 34 - HDMI Connection
 - 35 - Component Connection
 - 36 - Composite Connection
- 37 Connecting to a PC
 - 37 - HDMI Connection
- 38 Connecting to an Audio System
 - 38 - Digital Optical Audio Connection
- 39 Connecting to a USB

40 REMOTE CONTROL

42 WATCHING TV

- 42 Connecting to the AC/DC adapter
- 42 Turning the TV on for the first time

43 TROUBLESHOOTING

43 OPEN SOURCE SOFTWARE NOTICE

44 SPECIFICATIONS

NOTE

- Image shown may differ from your TV.
- Your TV's OSD (On Screen Display) may differ slightly from that shown in this manual.
- The available menus and options may differ from the input source or product model that you are using.
- New features may be added to this TV in the future.

INSTALLATION PROCEDURE

- 1 Open the package and make sure all the accessories are included.
- 2 Attach the stand to the TV set.
- 3 Connect an external device to the TV set.

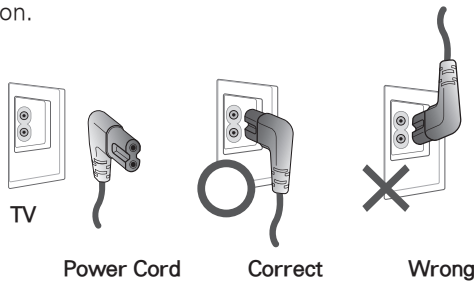
ASSEMBLING AND PREPARING

Unpacking

Check your product box for the following items. If there are any missing accessories, contact the local dealer where you purchased your product. The illustrations in this manual may differ from the actual product and item.

CAUTION

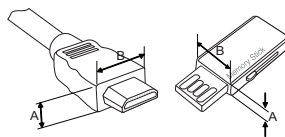
- Do not use any unapproved items to ensure the safety and product life span.
- Any damages or injuries by using unapproved items are not covered by the warranty.
- In case of some model, the thin film on screen is a part of TV, So don't take it off.
- Power Cord Installation Guide
-If the power cord provided with the TV looks like the below picture, please ensure that it is inserted in the correct direction.



ENGLISH

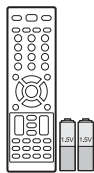
NOTE

- The items supplied with your product may vary depending on the model.
- Product specifications or contents of this manual may be changed without prior notice due to upgrade of product functions.
- For an optimal connection, HDMI cables and USB devices should have bezels less than 10 mm (0.39 inches) thick and 18 mm (0.7 inches) width.
- Use an extension cable that supports USB 2.0 if the USB cable or USB memory stick does not fit into your TV's USB port.

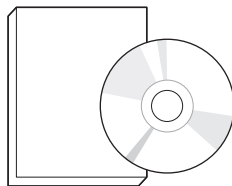


- *A ≤ 10 mm (0.39 inches)
- *B ≤ 18 mm (0.7 inches)

For CS460, CS461, LS3400, LS3410 series



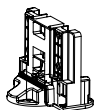
**Remote control,
Batteries (AAA)**
(See p.40)



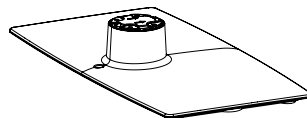
**Owner's manual,
CD manual**



Power Cord



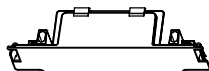
Stand Body
(See p.21)



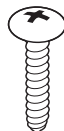
Stand Base
(See p.21)



Stand Screws
8 EA, M4 x 20
(See p.21)

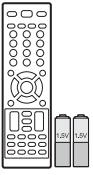


Protection cover
(See p.28)



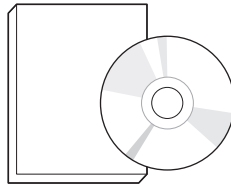
Desk-mount Screw
(See p.29)

For LS3450 series



**Remote control,
Batteries (AAA)**
(See p.40)

(for 32LS3450)

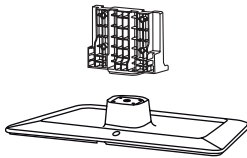


**Owner's manual,
CD manual**

(for 42LS3450)

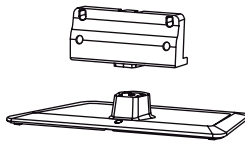


Power Cord



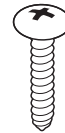
Stand Body / Stand Base
(See p.22)

(for 32LS3450)

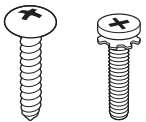


Stand Body / Stand Base
(See p.23)

(for 42LS3450)

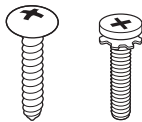


Desk-mount Screw
(See p.29)

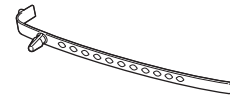


Stand Screws
2 EA, P4 x 16
4 EA, M4 x 20
(See p.22)

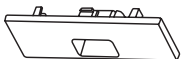
(for 32LS3450)



Stand Screws
4 EA, P4 x 16
4 EA, M4 x 14
(See p.23)

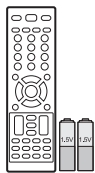


Cable holder
(See p.32)

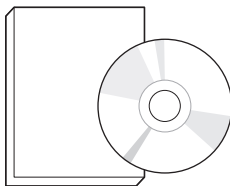


Protection cover
(See p.28)

For CS530, CS560 series



**Remote control,
Batteries (AAA)**
(See p.40)



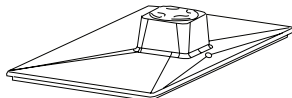
**Owner's manual,
CD manual**



Power Cord



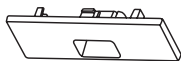
Stand Body
(See p.24)



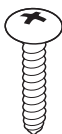
Stand Base
(See p.24)



Stand Screws
8 EA, M4 x 20
(See p.24)

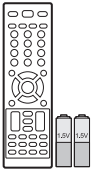


Protection cover
(See p.28)

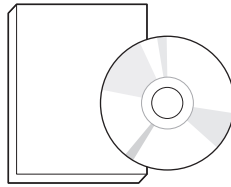


Desk-mount Screw
(See p.29)

For 22/26LS3500, 22/26LS3510



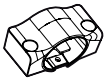
**Remote control,
Batteries (AAA)**
(See p.40)



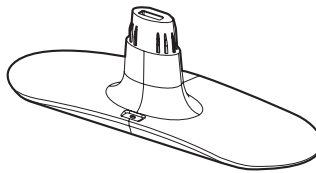
**Owner's manual,
CD manual**



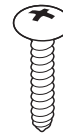
Power Cord



Stand Body
(See p.25)



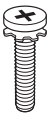
Stand Base
(See p.25)



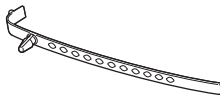
(For 22LS3500, 22LS3510)

Stand Screws
2 EA, P4 x 16
(See p.25)

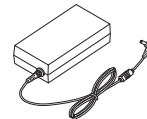
(For 26LS3500, 26LS3510)



Stand Screws
2 EA, M4 x 14
(See p.25)

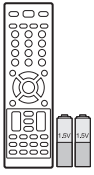


Cable holder
(See p.32)

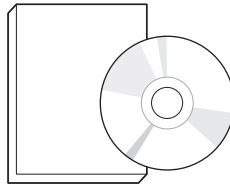


AC/DC Adapter

For 32LS3500, 32LS3510



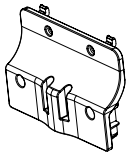
**Remote control,
Batteries (AAA)**
(See p.40)



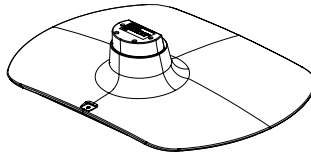
**Owner's manual,
CD manual**



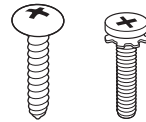
Power Cord



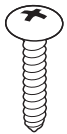
Stand Body
(See p.26)



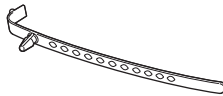
Stand Base
(See p.26)



Stand Screws
4 EA, P4 x 16
4 EA, M4 x 14
(See p.26)

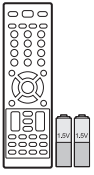


Desk-mount Screw
(See p.29)

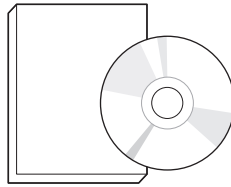


Cable holder
(See p.32)

For 47LS4500, 55LS4500



**Remote control,
Batteries (AAA)**
(See p.40)



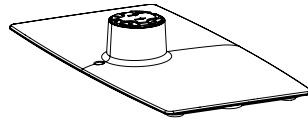
**Owner's manual,
CD manual**



Wall Mount Inner Spacers
4 EA
(See p.31)



Stand Body
(See p.27)

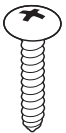


Stand Base
(See p.27)

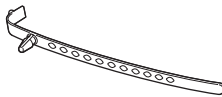


Stand Screws
8 EA, M4 x 20
(See p.27)

(for 47LS4500)



Desk-mount Screw
(See p.29)



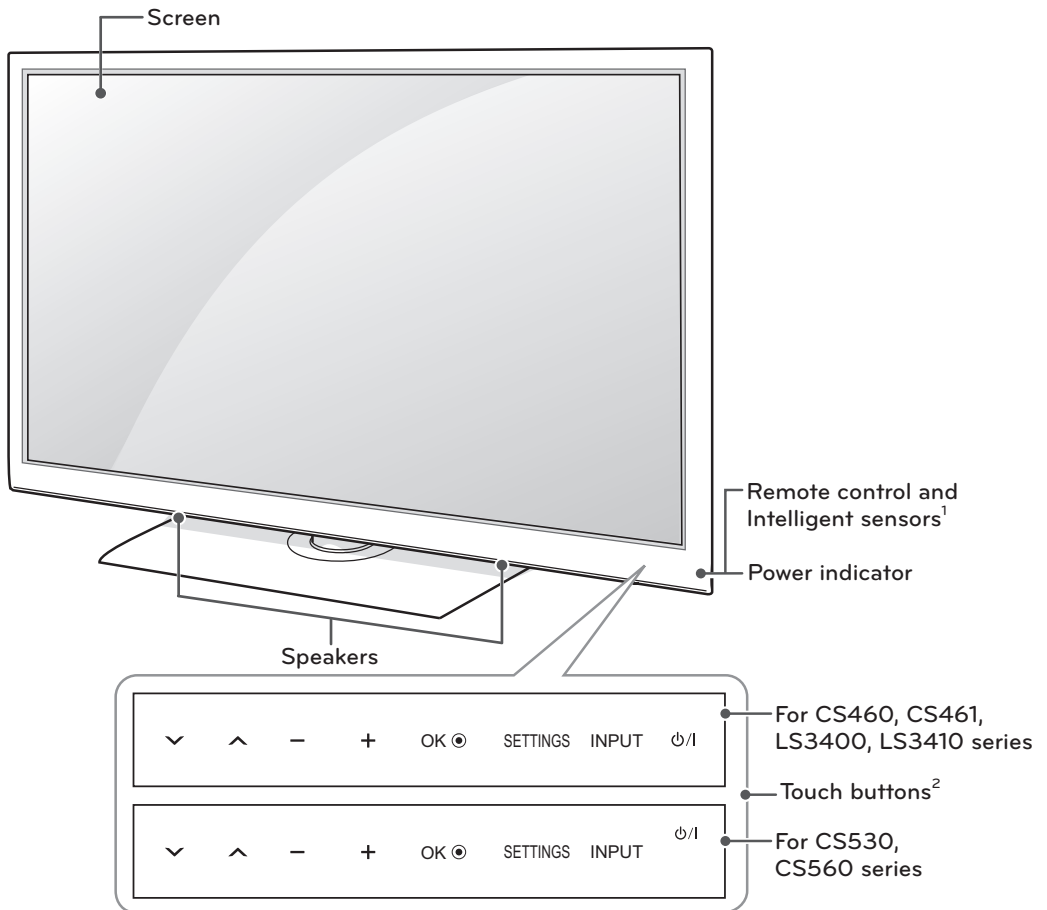
Cable holder
(See p.32)



Power Cord

Parts and buttons

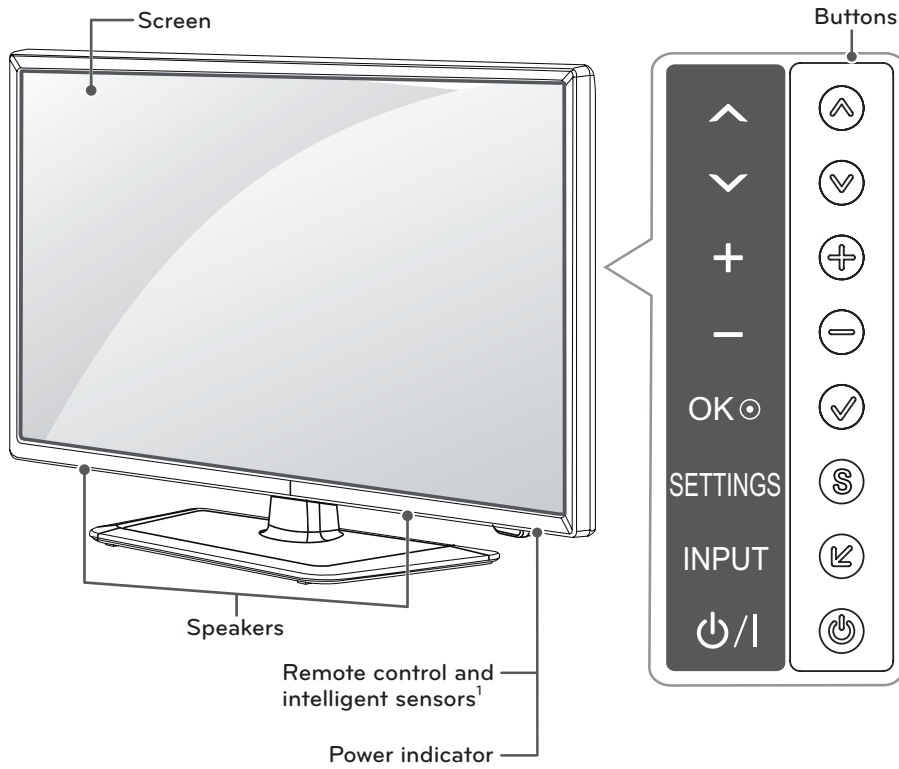
For CS460, CS461, CS530, CS560, LS3400, LS3410 series



Touch button ²	Description
⏻ / ⏿	Turns the power on or off.
INPUT	Changes the input source.
SETTINGS	Accesses the main menus, or saves your input and exits the menus.
OK ⊙	Selects the highlighted menu option or confirms an input.
- +	Adjusts the volume level.
v ^	Scrolls through the saved channels.

- 1 Intelligent sensor - Adjusts the image quality and brightness based on the surrounding environment.
- 2 All of the buttons are touch sensitive and can be operated through simple touch with your finger.

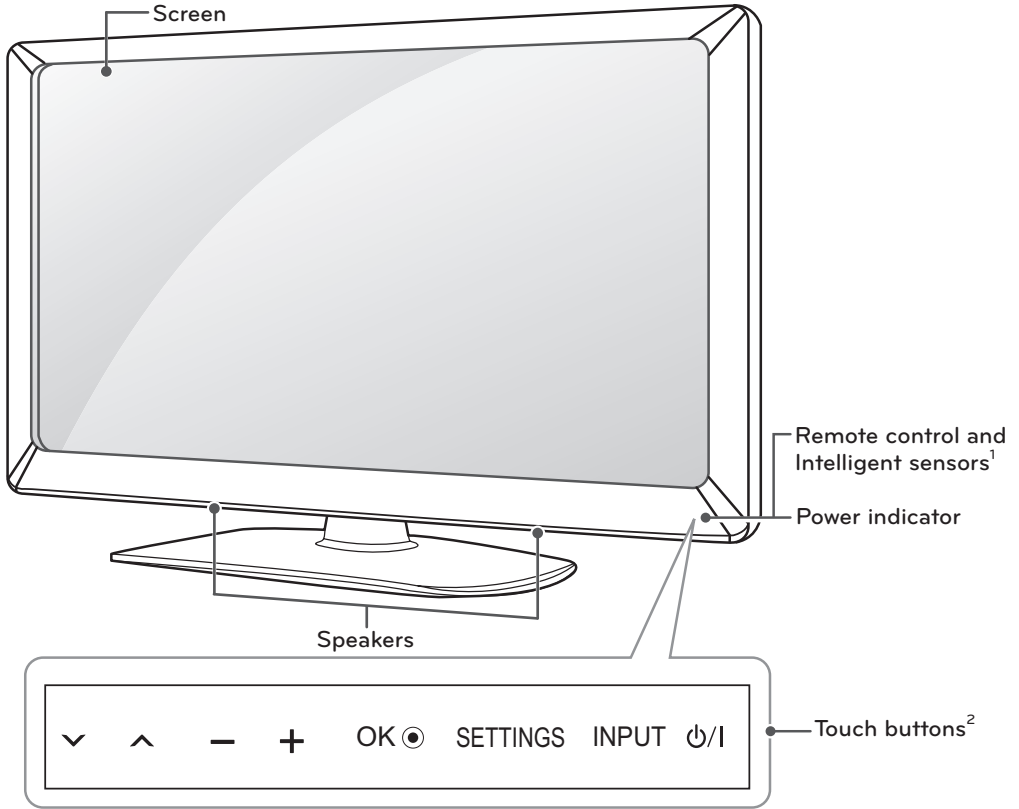
For LS3450 series



Buttons	Description
⏻	Turns the power on or off.
INPUT ↶	Changes the input source.
SETTINGS S	Accesses the main menus, or saves your input and exits the menus.
OK ✓	Selects the highlighted menu option or confirms an input.
- +	Adjusts the volume level.
∨ ^	Scrolls through the saved channels.

1 Intelligent sensor - Adjusts the image quality and brightness based on the surrounding environment.

For LS3500, LS3510 series

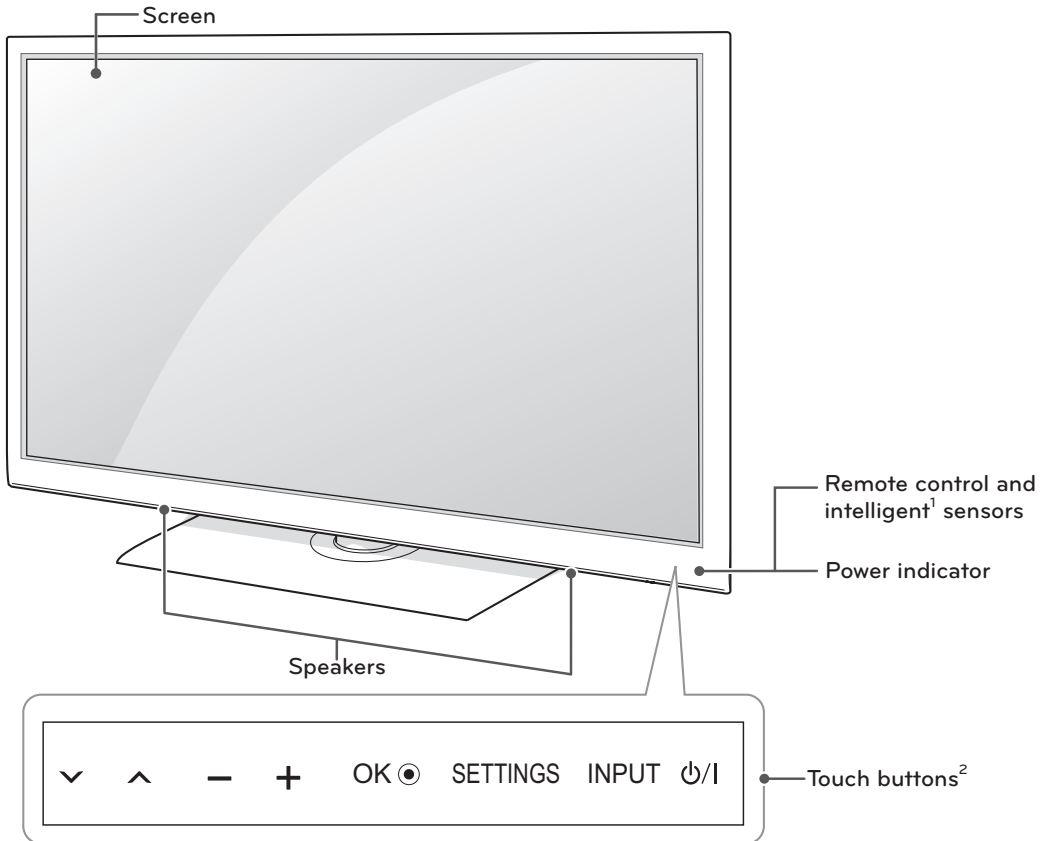


ENGLISH

Touch button ²	Description
⏻ / ⏷	Turns the power on or off.
INPUT	Changes the input source.
SETTINGS	Accesses the main menus, or saves your input and exits the menus.
OK ⊙	Selects the highlighted menu option or confirms an input.
- +	Adjusts the volume level.
v ^	Scrolls through the saved channels.

- 1 Intelligent sensor - Adjusts the image quality and brightness based on the surrounding environment.
- 2 All of the buttons are touch sensitive and can be operated through simple touch with your finger.

For LS4500 series



Touch button ²	Description
⏻/⏷	Turns the power on or off.
INPUT	Changes the input source.
SETTINGS	Accesses the Home menu, or saves your input and exits the menus.
OK ⊙	Selects the highlighted menu option or confirms an input
- +	Adjusts the volume level.
∨ ∧	Scrolls through the saved channels.

- 1 Intelligent sensor - Adjusts the image quality and brightness based on the surrounding environment.
- 2 All of the buttons are touch sensitive and can be operated through simple touch with your finger.

Lifting and moving the TV

When moving or lifting the TV, read the following to prevent the TV from being scratched or damaged and for safe transportation regardless of its type and size.

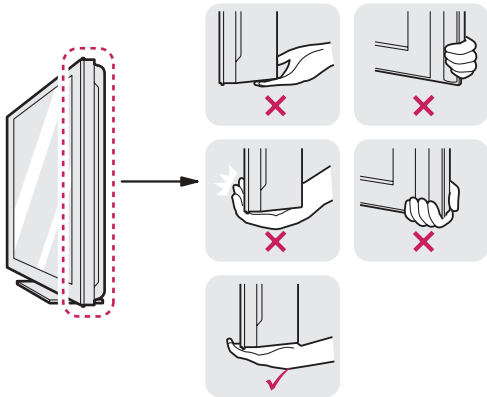


CAUTION

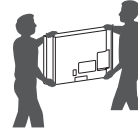
- Avoid touching the screen at all times, as this may result in damage to the screen.
- It is recommended to move the TV in the box or packing material that the TV originally came in.
- Before moving or lifting the TV, disconnect the power cord and all cables.
- When holding the TV, the screen should face away from you to avoid damage.



- Hold the top and bottom of the TV frame firmly. Make sure not to hold the transparent part, speaker, or speaker grill area.



- When transporting a large TV, there should be at least 2 people.
- When transporting the TV by hand, hold the TV as shown in the following illustration.



- When transporting the TV, do not expose the TV to jolts or excessive vibration.
- When transporting the TV, keep the TV upright, never turn the TV on its side or tilt towards the left or right.

Setting up the TV

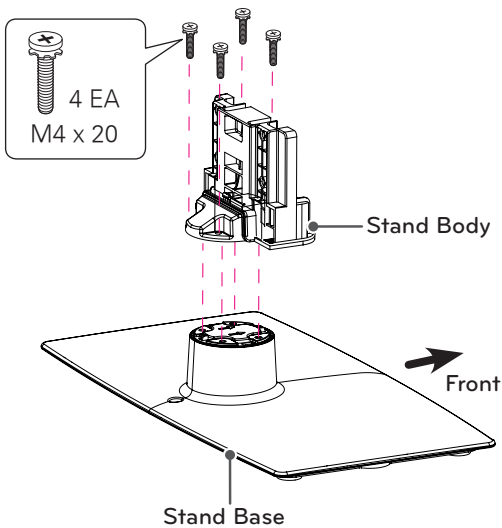
Put your TV on a pedestal stand and mount the TV on a table or wall.

Attaching the stand

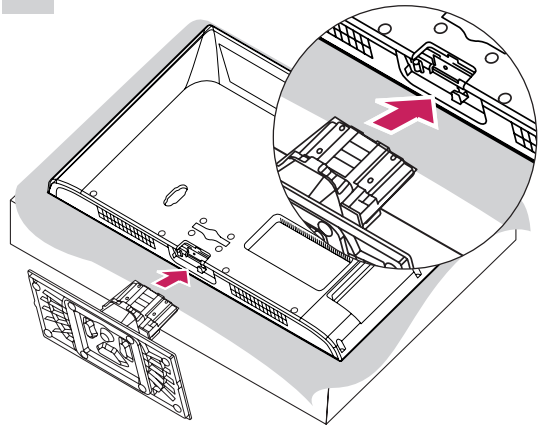
If you are not mounting the TV to a wall, use the following instructions to attach the stand.

For CS460, CS461, LS3400, LS3410 series

1



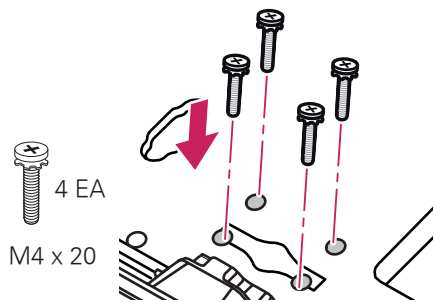
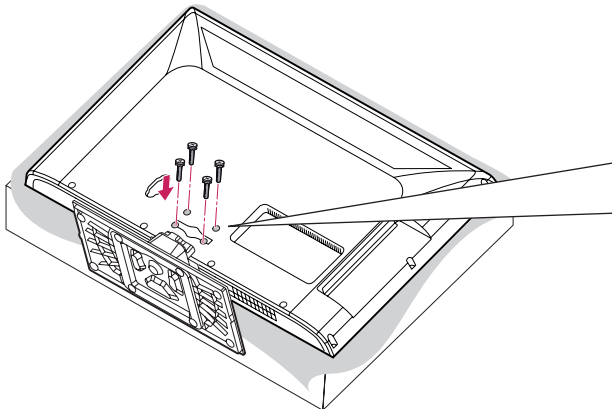
2



! CAUTION

- When attaching the stand to the TV set, place the screen facing down on a cushioned table or flat surface to protect the screen from scratches.

3



! CAUTION

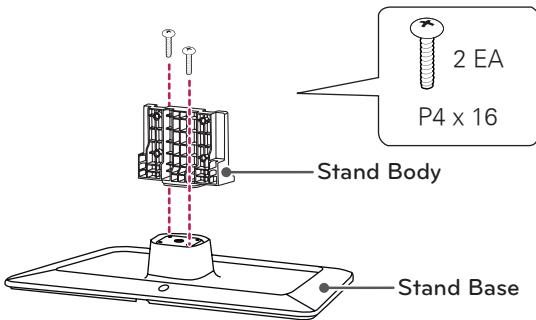
- Make sure that the screws are fastened completely. (If they are not fastened securely enough, the TV may tilt forward after being installed.)
- Do not fasten the screws with too much force; otherwise they may be worn out and get loosened.

! NOTE

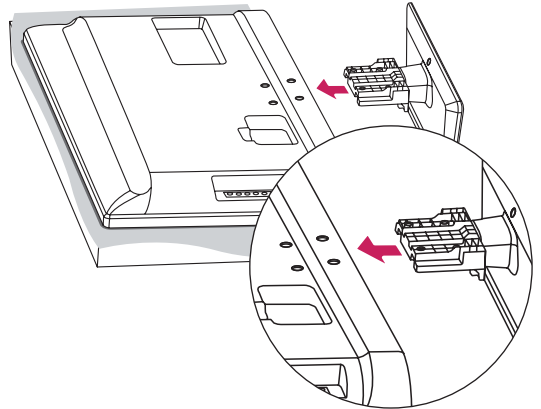
- Remove the stand before installing the TV on a wall mount by performing the stand attachment in reverse.

For 32LS3450

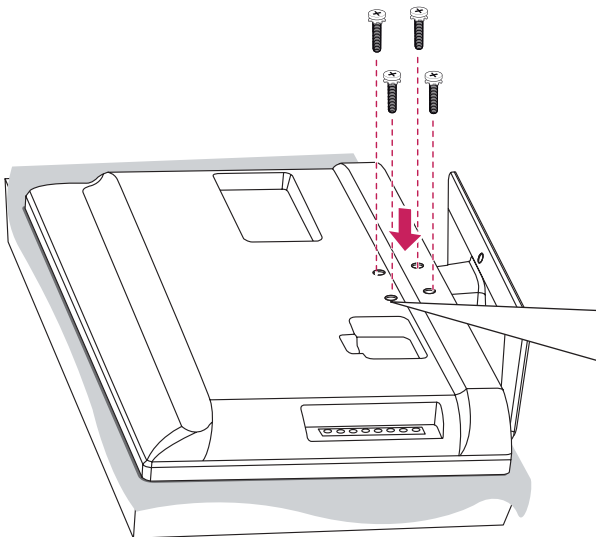
1



2

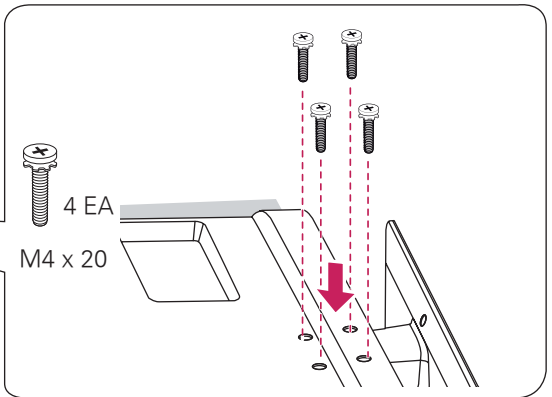


3



CAUTION

- When attaching the stand to the TV set, place the screen facing down on a cushioned table or flat surface to protect the screen from scratches.

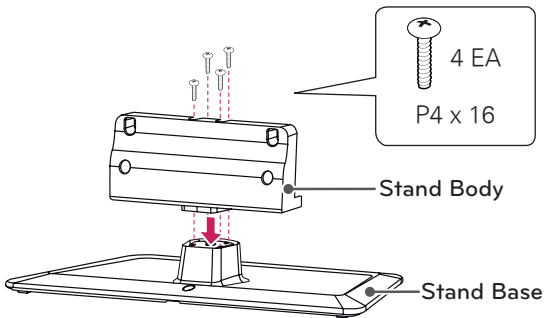


CAUTION

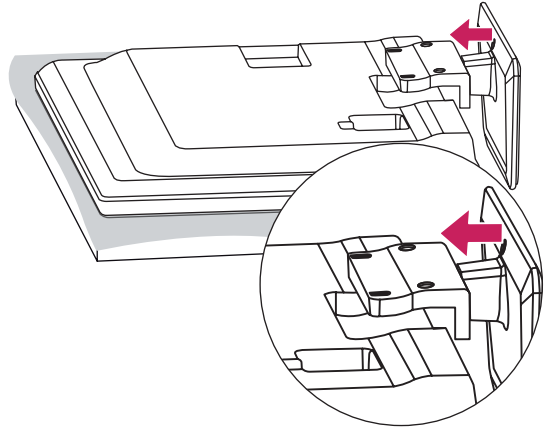
- Make sure that the screws are fastened completely. (If they are not fastened securely enough, the TV may tilt forward after being installed.)
- Do not fasten the screws with too much force; otherwise they may be worn out and get loosened.

For 42LS3450

1



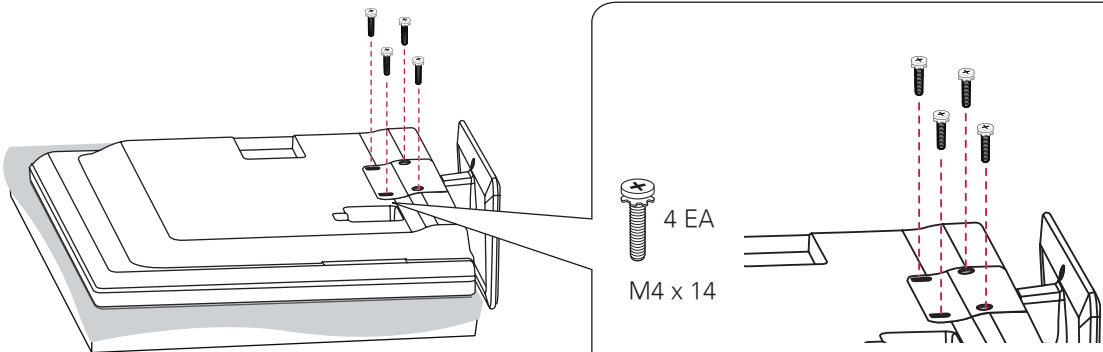
2



CAUTION

- When attaching the stand to the TV set, place the screen facing down on a cushioned table or flat surface to protect the screen from scratches.

3



CAUTION

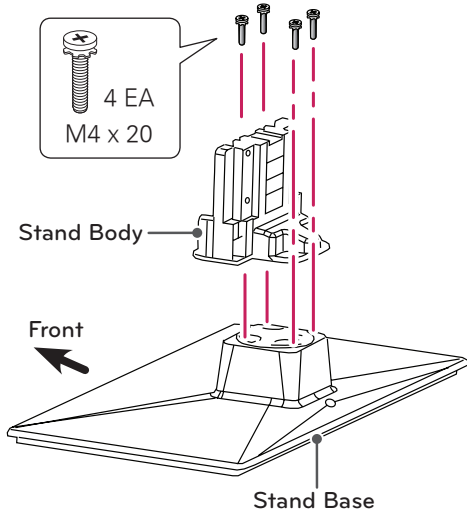
- Make sure that the screws are fastened completely. (If they are not fastened securely enough, the TV may tilt forward after being installed.)
- Do not fasten the screws with too much force; otherwise they may be worn out and get loosened.

NOTE

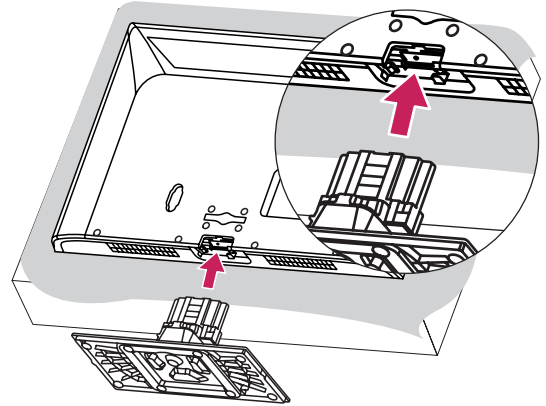
- Remove the stand before installing the TV on a wall mount by performing the stand attachment in reverse.

For CS530, CS560 series

1



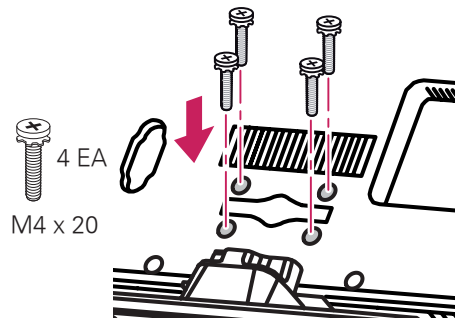
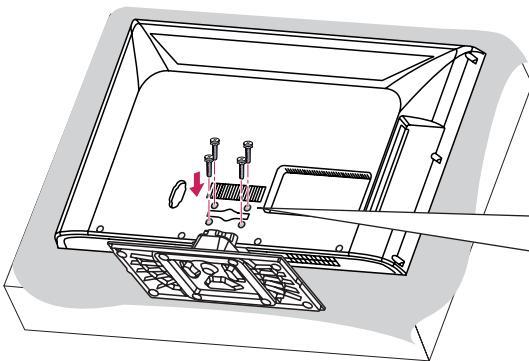
2



CAUTION

- When attaching the stand to the TV set, place the screen facing down on a cushioned table or flat surface to protect the screen from scratches.

3



CAUTION

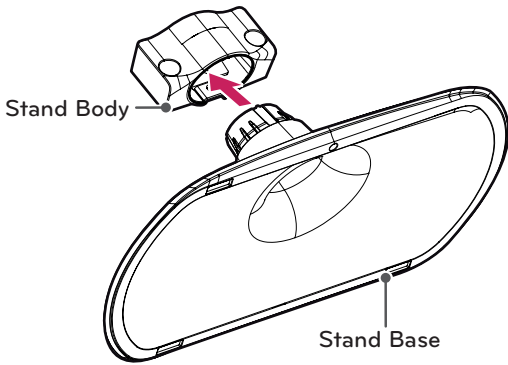
- Make sure that the screws are fastened completely. (If they are not fastened securely enough, the TV may tilt forward after being installed.)
- Do not fasten the screws with too much force; otherwise they may be worn out and get loosened.

NOTE

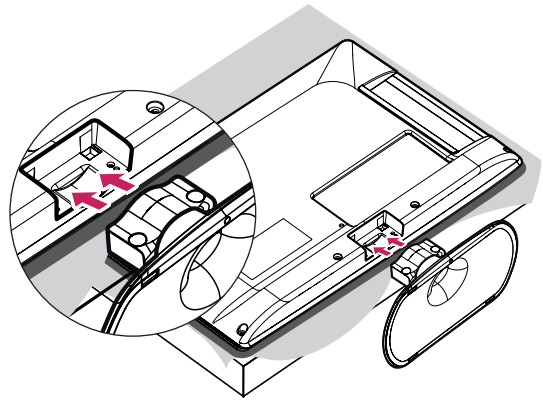
- Remove the stand before installing the TV on a wall mount by performing the stand attachment in reverse.

For 22/26LS3500, 22/26LS3510

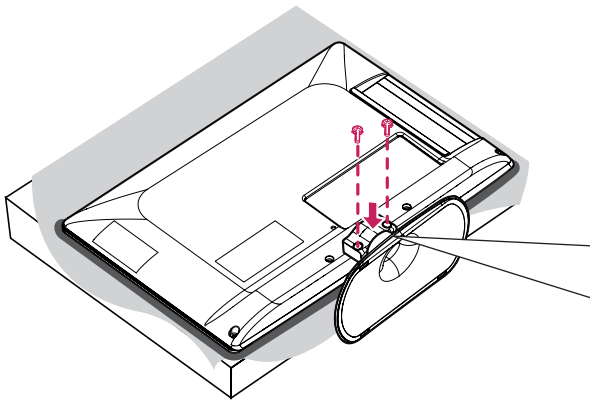
1



2



3



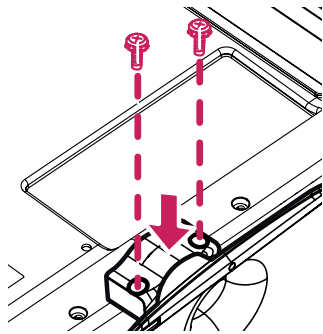
CAUTION

- When attaching the stand to the TV set, place the screen facing down on a cushioned table or flat surface to protect the screen from scratches.

(For 22LS3500,
22LS3510)



(For 26LS3500,
26LS3510)



NOTE

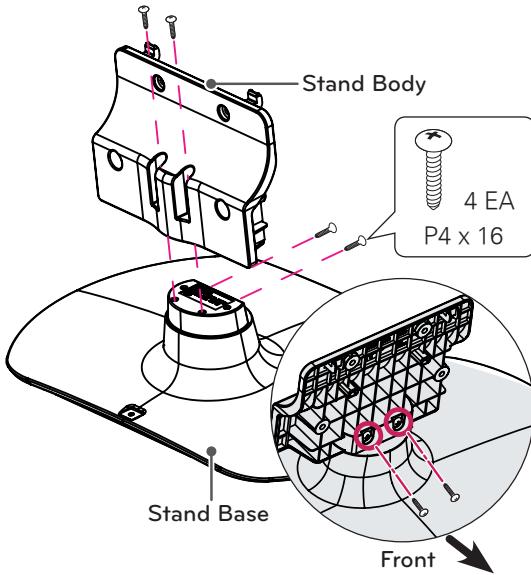
- Remove the stand before installing the TV on a wall mount by performing the stand attachment in reverse.

CAUTION

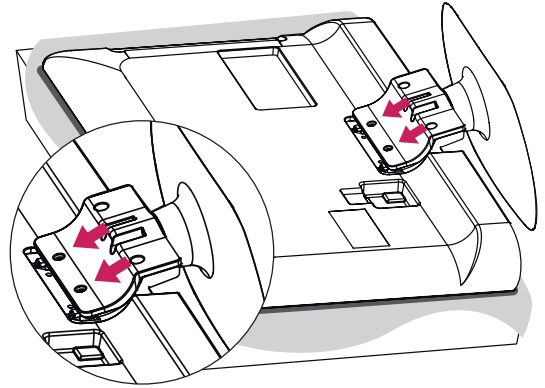
- Make sure that the screws are fastened completely. (If they are not fastened securely enough, the TV may tilt forward after being installed.)
- Do not fasten the screws with too much force; otherwise they may be worn out and get loosened.

For 32LS3500, 32LS3510

1



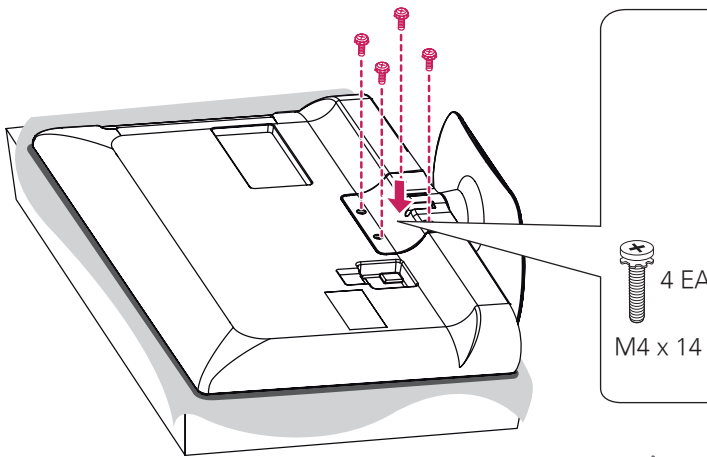
2



CAUTION

- When attaching the stand to the TV set, place the screen facing down on a cushioned table or flat surface to protect the screen from scratches.

3



CAUTION

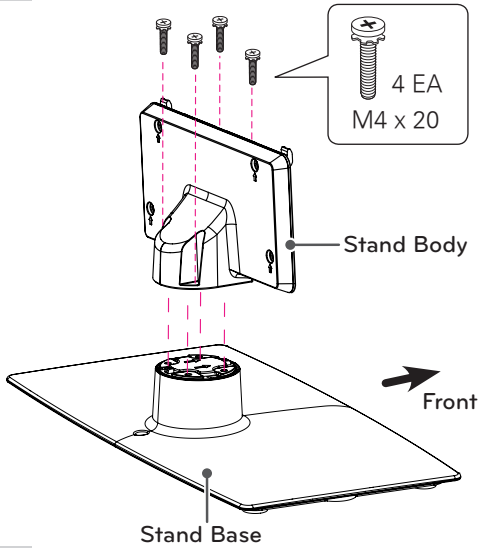
- Make sure that the screws are fastened completely. (If they are not fastened securely enough, the TV may tilt forward after being installed.)
- Do not fasten the screws with too much force; otherwise they may be worn out and get loosened.

NOTE

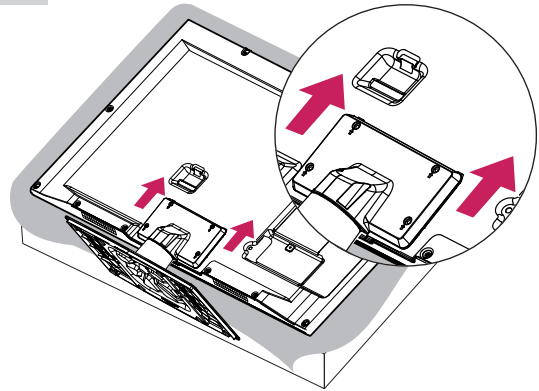
- Remove the stand before installing the TV on a wall mount by performing the stand attachment in reverse.

For 47/ 55LS4500

1



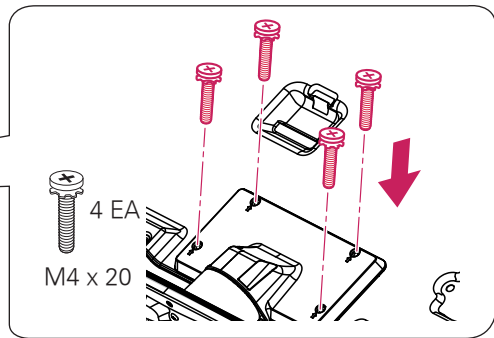
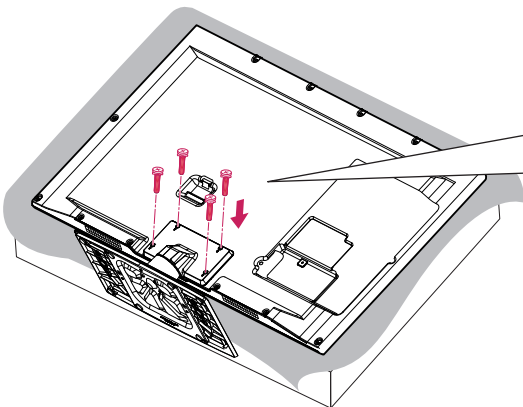
2



CAUTION

- When attaching the stand to the TV set, place the screen facing down on a cushioned table or flat surface to protect the screen from scratches.

3



NOTE

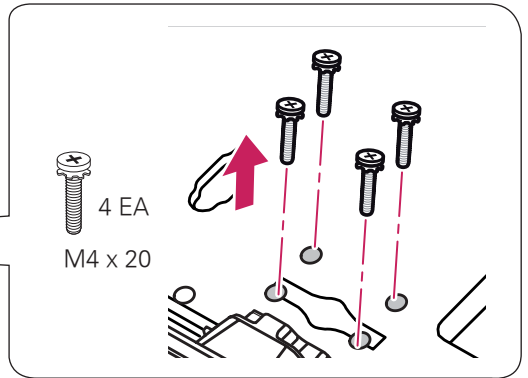
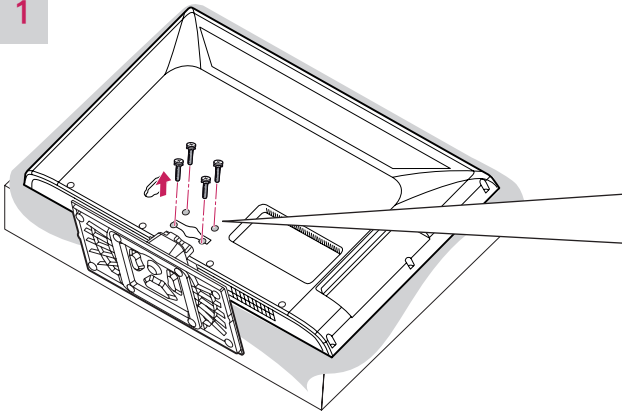
- Remove the stand before installing the TV on a wall mount by performing the stand attachment in reverse.

CAUTION

- Make sure that the screws are fastened completely. (If they are not fastened securely enough, the TV may tilt forward after being installed.)
- Do not fasten the screws with too much force; otherwise they may be worn out and get loosened.

To detach the stand,
(Depending on model)

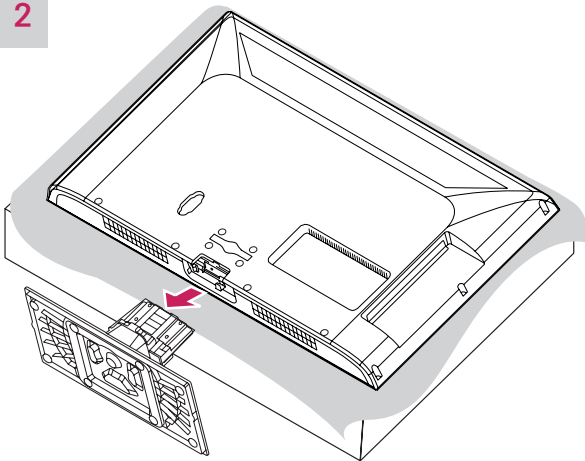
1



CAUTION

- When attaching the stand to the TV set, place the screen facing down on a cushioned table or flat surface to protect the screen from scratches.

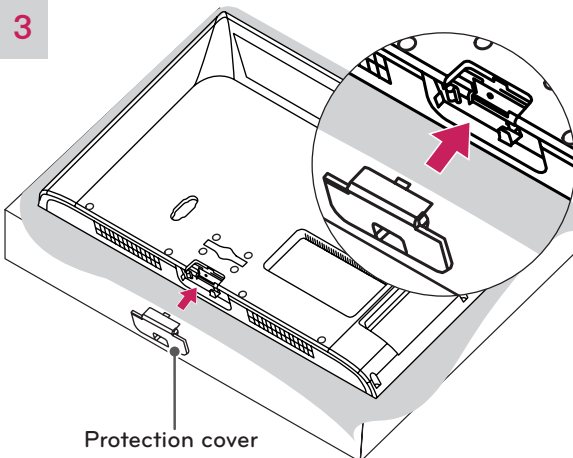
2



NOTE

- This will protect the opening from accumulating dust and dirt.
- When installing the wall mounting bracket, use the Protection cover.

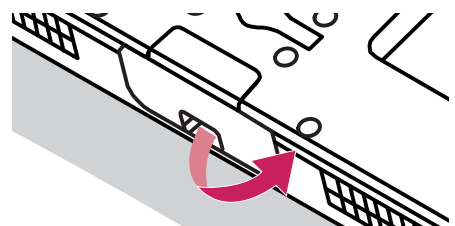
3



NOTE

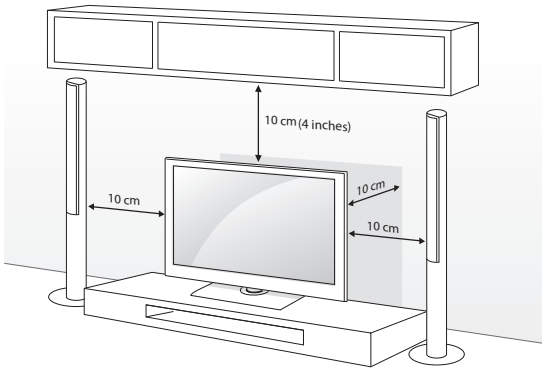
(For 32LS3450)

- When removing the Protection Cover from bottom of TV, insert your fingers into hole of cover. Hold firmly and pull upwards towards you to remove.



Mounting on a table

- Lift and tilt the TV into its upright position on a table.
 - Leave a 10 cm (4 inch) (minimum) space from the wall for proper ventilation.



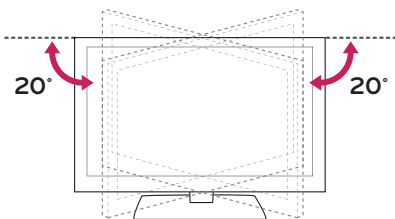
- Connect the power cord to a wall outlet.

CAUTION

- Do not place the TV near or on sources of heat, as this may result in fire or other damage.

Adjusting the angle of the TV to suit view

(Depending on model)
Swivel 20 degrees to the left or right and adjust the angle of the TV to suit your view.

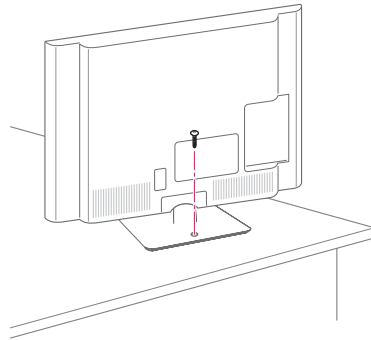


CAUTION

- When adjusting the angle of the TV, watch out for your fingers.
 - Personal injury may occur if hands or fingers are pinched. If the product is tilted too much, it may fall, causing damage or injury.

Securing the TV to a table

(For 32CS460, 32CS461, 42CS530, 32/37/42CS560, 32/42LS3400, 32LS3410, 32/42LS3450, 32LS3500, 32LS3510, 47LS4500)
Fix the TV to a table to prevent from tilting forward, damage, and potential injury.
Mount the TV on a table, and then insert and tighten the supplied screw on the rear of the stand.

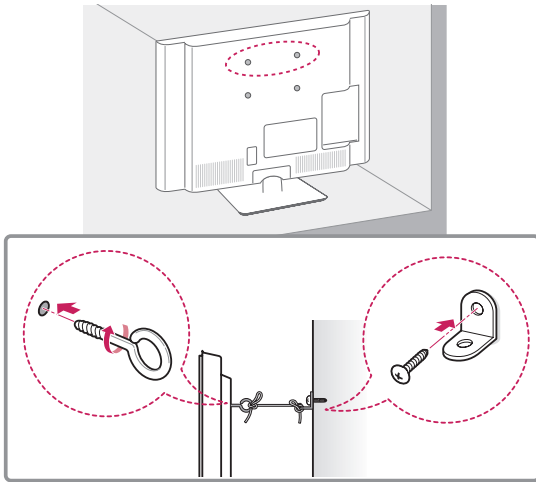


WARNING

- To prevent TV from falling over, the TV should be securely attached to the floor/wall per installation instructions. Tipping, shaking, or rocking the TV may cause injury.

Securing the TV to a wall (optional)

(Depending on model)



- 1 Insert and tighten the eye-bolts, or TV brackets and bolts on the back of the TV.
- If there are bolts inserted at the eye-bolts position, remove the bolts first.
- 2 Mount the wall brackets with the bolts to the wall.
Match the location of the wall bracket and the eye-bolts on the rear of the TV.
- 3 Connect the eye-bolts and wall brackets tightly with a sturdy rope.
Make sure to keep the rope horizontal with the flat surface.

**CAUTION**

- Make sure that children do not climb on or hang on the TV.

**NOTE**

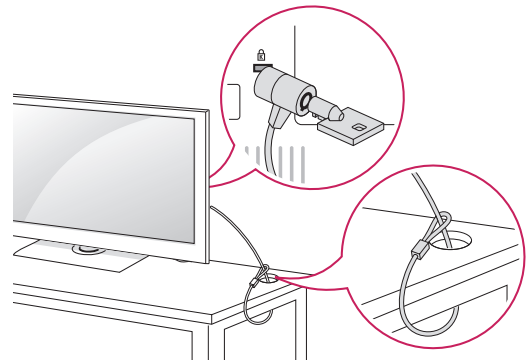
- Use a platform or cabinet that is strong and large enough to support the TV securely.
- Brackets, bolts and ropes are optional. You can obtain additional accessories from your local dealer.

Using the Kensington security system (optional)

(For 32CS460, 32CS461, 42CS530, 32/37/42CS560, 22/26LS3500, 22/26LS3510)

The Kensington security system connector is located at the rear of the TV. For more information of installation and using, refer to the manual provided with the Kensington security system or visit <http://www.kensington.com>.

Connect the Kensington security system cable between the TV and a table.

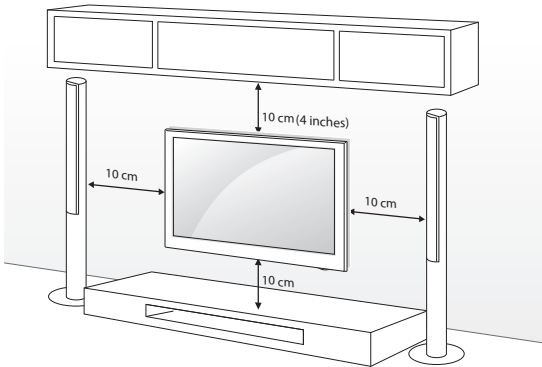
**NOTE**

- The Kensington security system is optional. You can obtain additional accessories from your local dealer.

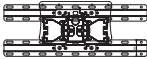

Mounting on a wall

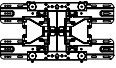
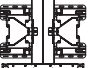
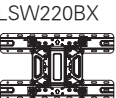

Attach an optional wall mount bracket at the rear of the TV carefully and install the wall mount bracket on a solid wall perpendicular to the floor. When you attach the TV to other building materials, please contact qualified personnel.

We recommend that you use an LG brand wall mount when mounting the TV to a wall.



Make sure to use screws and wall mounts that meet the VESA standard. Standard dimensions for the wall mount kits are described in the following table.

Model	22/26LS3500 22/26LS3510	32CS460 32CS461 32CS560 32LS3400 32LS3410 32LS3450 32LS3500 32LS3510
VESA	100 x 100	200 x 100
Standard screw	M4	M4
Number of screws	4	4
Wall mount bracket (optional)	LSW100B 	LSW100B 

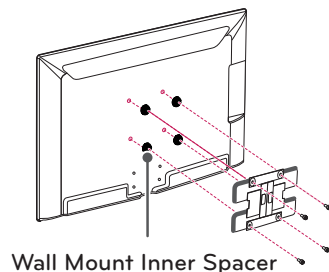
Model	42CS530 37/42CS560 42LS3400 42LS3450	47/55LS4500
VESA	200 x 200	400 x 400
Standard screw	M6	M6
Number of screws	4	4
Wall mount bracket (optional)	LSW200BX 	LSW400BX 
	LSW220BX 	LSW420BX 

CAUTION

- Disconnect the power first, and then move or install the TV. Otherwise electric shock may occur.
- If you install the TV on a ceiling or slanted wall, it may fall and result in severe injury. Use an authorized LG wall mount and contact the local dealer or qualified personnel.
- Do not over tighten the screws as this may cause damage to the TV and void your warranty.
- Use only screws and wall mounts that meet the VESA standard. Any damages or injuries by misuse or using an improper accessory are not covered by the warranty.

NOTE

- Use only screws that are listed on the VESA standard screw specifications.
- The wall mount kit includes an installation manual and necessary parts.
- The wall mount bracket is optional. You can obtain additional accessories from your local dealer.
- The length of screws may differ depending on the wall mount. Make sure to use the proper length.
- For more information, refer to the manual supplied with the wall mount.
- When attaching a third-party wall mounting bracket to the TV, insert the wall mount inner spacers into the TV wall mount holes to move your TV in vertical angle. Please make sure not to use the spacers for LG wall mounting bracket. (For LS4500 series)

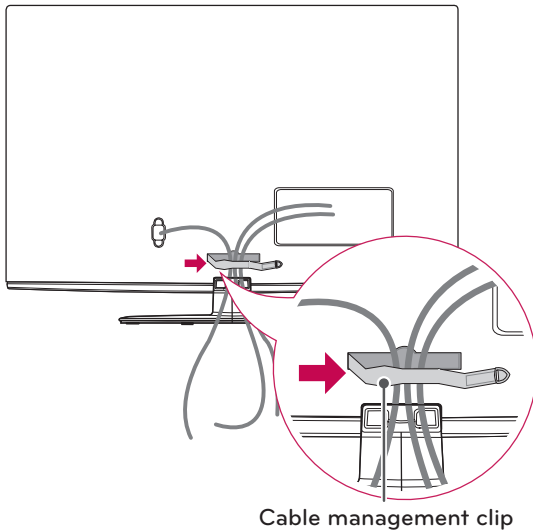


Wall Mount Inner Spacer

Tidying cables

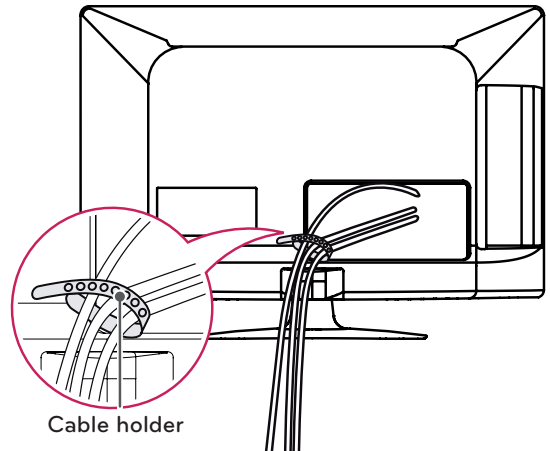
For CS460, CS461, CS530, CS560, LS3400, LS3410

- 1 Gather and bind the cables with the cable management clip.
- 2 Fix the cable management clip firmly to the TV.



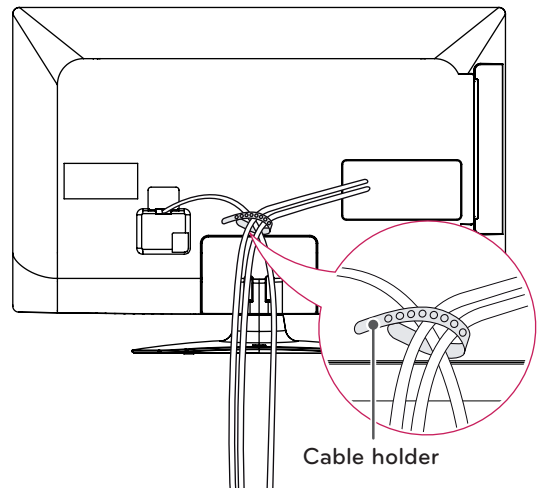
For 22/26LS3500, 22/26LS3510

- 1 Gather and bind the cables with the cable holder.



For 32LS3500, 32LS3510, 32/42LS3450, 47/55LS4500

- 1 Gather and bind the cables with the cable holder.



⚠ CAUTION

- Do not move the TV by holding the cable management clip or cable holder, as the cable holders may break, and injuries and damage to the TV may occur.

MAKING CONNECTIONS

- This part of MAKING CONNECTIONS mainly uses picture for LS4500 series.

Connect various external devices to the TV and switch input modes to select an external device.

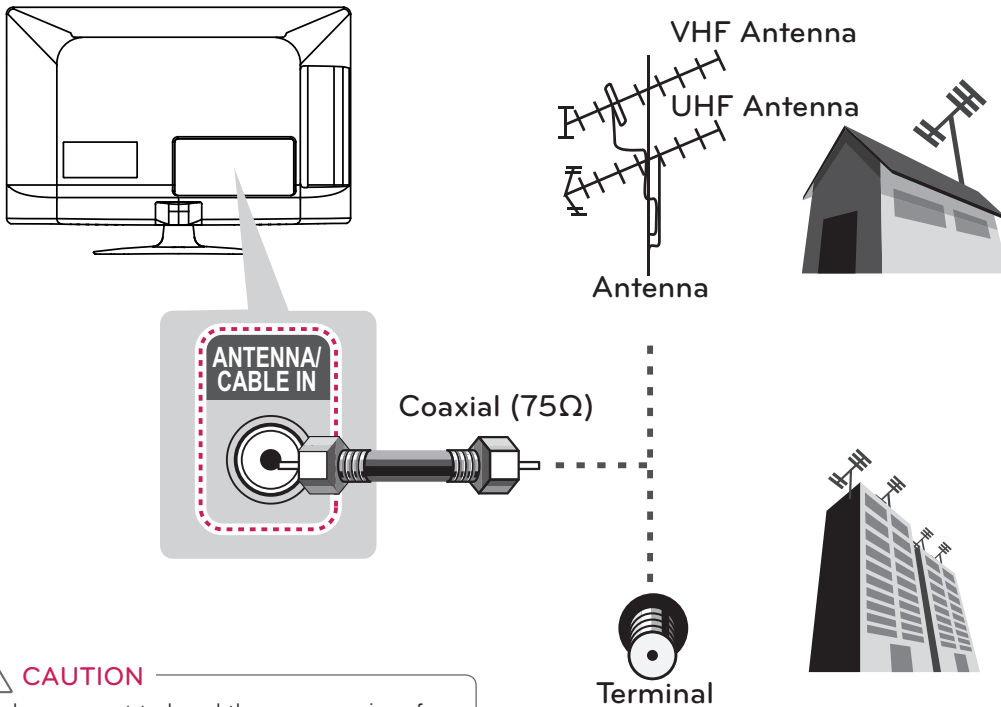
For more information of external device's connection, refer to the manual provided with each device.

Available external devices are: HD receivers, DVD players, VCRs, audio systems, USB storage devices, PC, gaming devices, and other external devices.

! NOTE

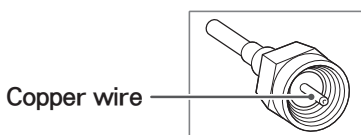
- If you record a TV program on a DVD recorder or VCR, make sure to connect the TV signal input cable to the TV through a DVD recorder or VCR. For more information of recording, refer to the manual provided with the connected device.
- The external device connection may differ from the model.
- Connect external devices to the TV regardless of the order of the TV port.

Connecting to an antenna or cable



! CAUTION

- Make sure not to bend the copper wire of the RF cable.



- Complete all connections between devices, and then connect the power cord to the power outlet to prevent damage to your TV.

! NOTE

- Use a signal splitter to use more than 2 TVs.
- Visit '<http://lgknowledgebase.com>' for more information about the antenna and cable connection. Search for antenna.

Connecting to a HD receiver, DVD, or VCR player

Connect a HD receiver, DVD, or VCR player to the TV and select an appropriate input mode.

HDMI Connection

HDMI is the best way to connect a device.

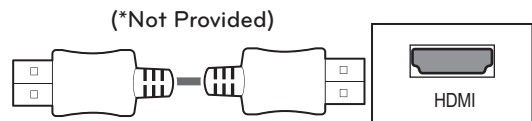
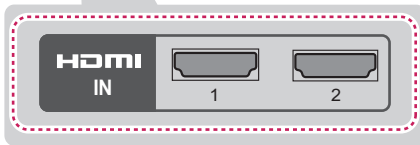
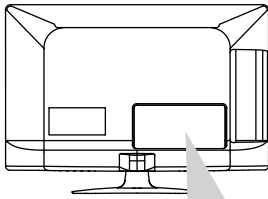
Transmits the digital video and audio signals from an external device to the TV. Connect the external device and the TV with the HDMI cable as shown in the following illustration.



NOTE

- Use the latest High Speed HDMI™ Cable with CEC (Customer Electronics Control) function.
- High Speed HDMI™ Cables are tested to carry an HD signal up to 1080p and higher.

Choose any HDMI input port to connect.
It does not matter which port you use.



DVD / Blu-Ray / HD Cable Box / HD STB

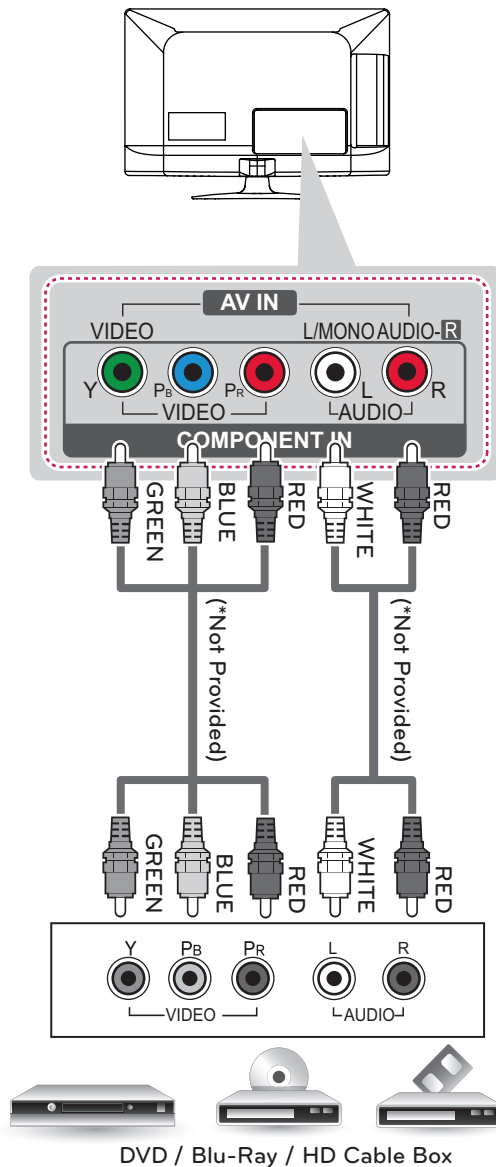
Component Connection

Transmits the analog video and audio signals from an external device to the TV. Connect the external device and the TV with the component cable as shown in the following illustration.



NOTE

- If cables are installed incorrectly, it could cause the image to display in black and white or with distorted color.
- Check to ensure the cable are matched with the corresponding color connection.



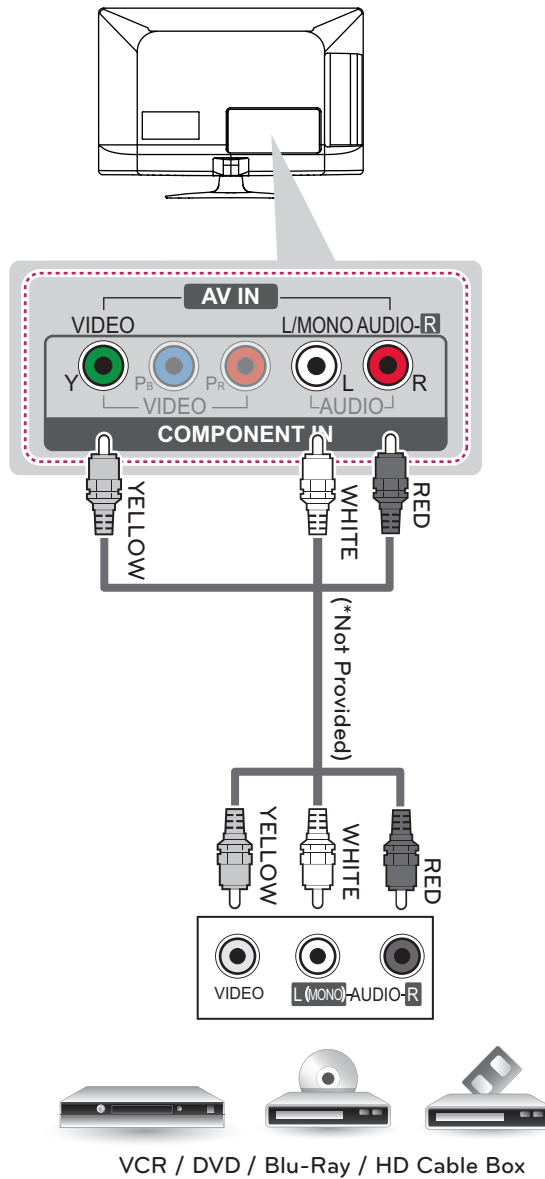
Composite Connection

Transmits the analog video and audio signals from an external device to the TV. Connect the external device and the TV with the composite cable as shown in the following illustration.



NOTE

- If you have a mono VCR, connect the audio cable from the VCR to the AUDIO L/MONO jack of the TV.



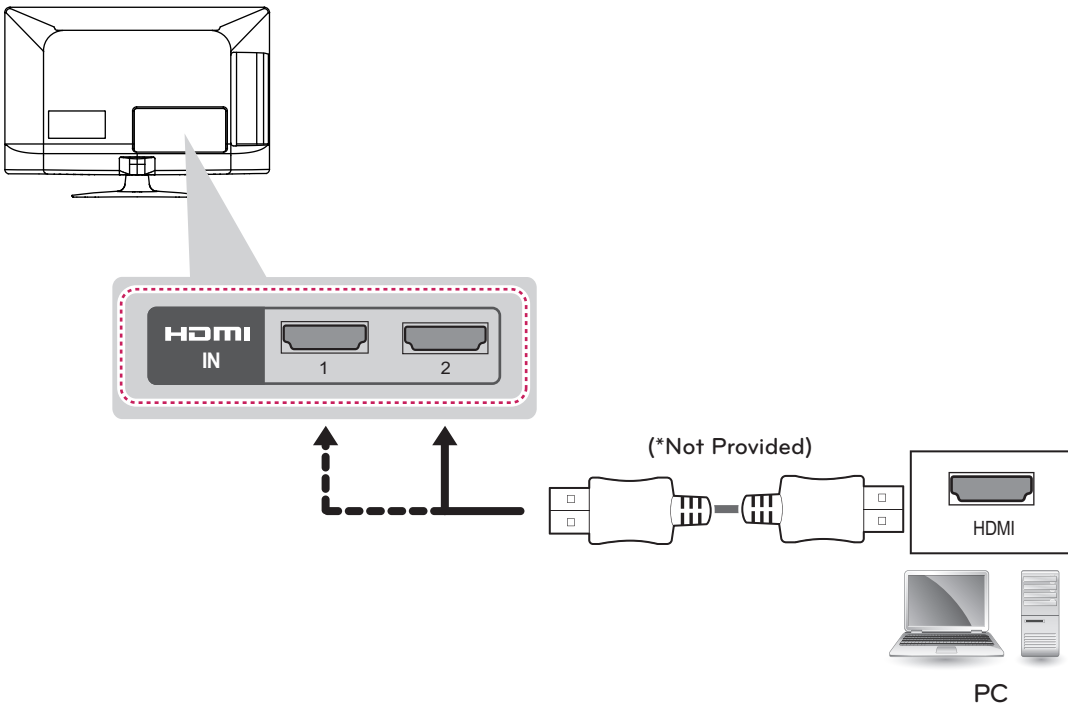
Connecting to a PC

! NOTE

- It is recommended to use the TV with the HDMI connection for the best image quality.
- Depending on the graphics card, DOS mode may not work if a HDMI to DVI Cable is in use.
- In PC mode, there may be noise associated with the resolution, vertical pattern, contrast or brightness. If noise is present, change the PC output to another resolution, change the refresh rate to another rate or adjust the brightness and contrast on the PICTURE menu until the picture is clear.
- The synchronization input form for Horizontal and Vertical frequencies is separate.
- Depending on the graphics card, some resolution settings may not allow the image to be positioned on the screen properly.

HDMI Connection

Choose any HDMI input port to connect.
It does not matter which port you use.



Connecting to an Audio System

(For LS4500)

You may use an optional external audio system instead of the built-in speaker.

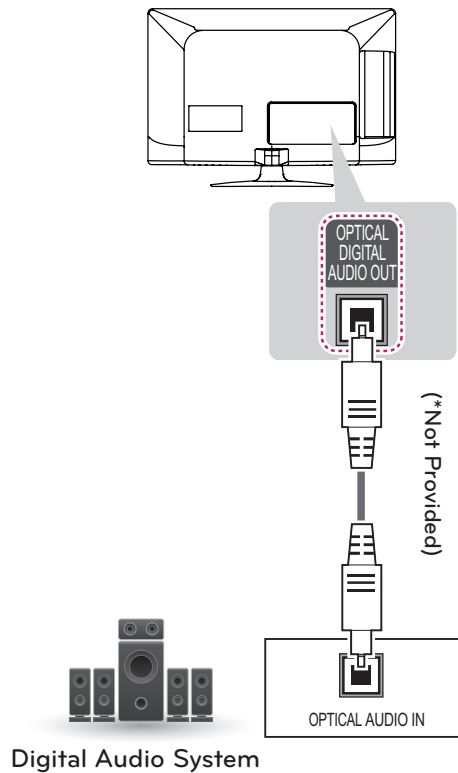


NOTE

- If you use an optional external audio device instead of the built-in speaker, set the TV speaker feature to off.

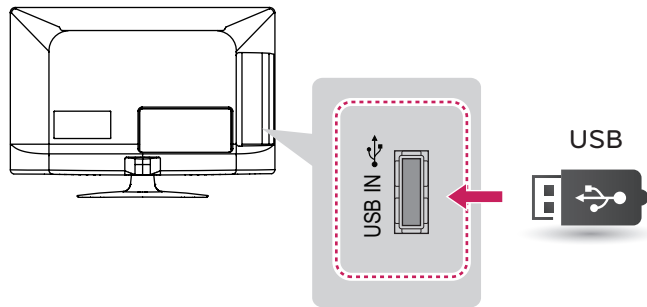
Digital Optical Audio Connection

Transmits a digital audio signal from the TV to an external device. Connect the external device and the TV with the optical audio cable as shown in the following illustration.



Connecting to a USB

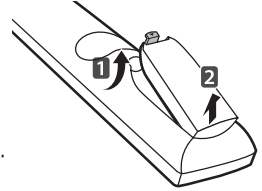
Connect a USB storage device such as a USB flash memory, external hard drive, or a USB memory card reader to the TV.



REMOTE CONTROL

The descriptions in this manual are based on the buttons on the remote control. Please read this manual carefully and use the TV correctly.

To replace batteries, open the battery cover, replace batteries (1.5 V AAA) matching the ⊕ and ⊖ ends to the label inside the compartment, and close the battery cover. To remove the batteries, perform the installation actions in reverse.

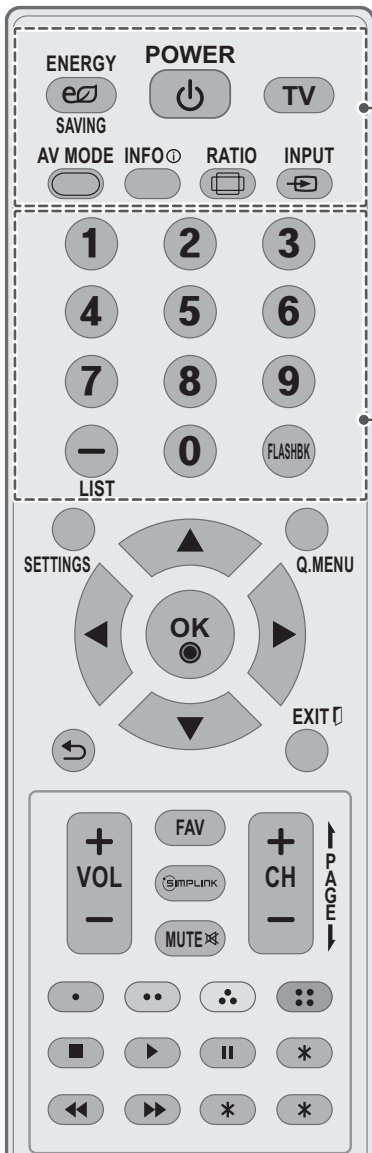


CAUTION

- Do not mix old and new batteries, as this may damage the remote control.

Make sure to point the remote control toward at the remote control sensor on the TV.

ENGLISH



POWER

Turns the TV on or off.

ENERGY SAVING

Adjusts the brightness of the screen to reduce energy consumption.

TV

Returns to the last TV channel.

AV MODE

Selects an AV mode.

INFO

Views the information of the current program and screen.

RATIO

Resizes an image.

INPUT

Rotates through inputs. Also switches the TV on from standby.

Number button

Enters numbers.

LIST

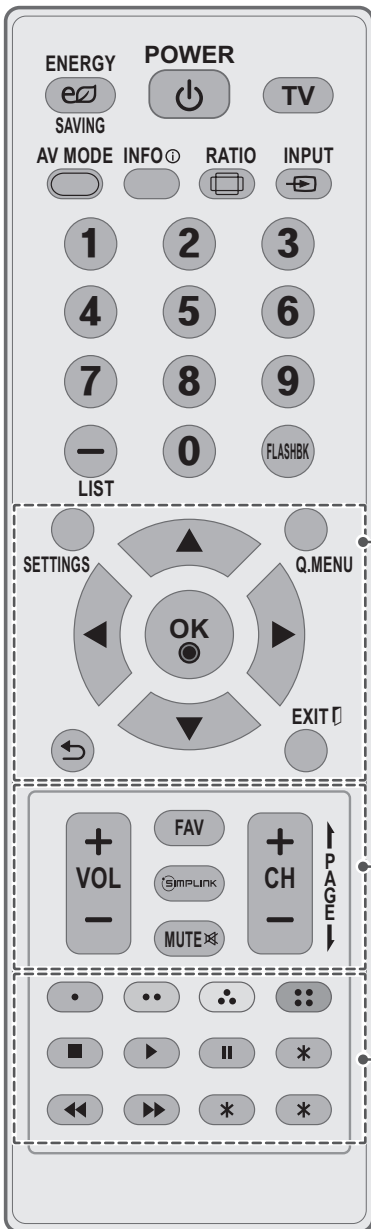
Accesses the saved channel list.

- (Dash)

Inserts a dash between numbers such as 2-1 and 2-2.

FLASHBK

Alternates between the two last channels selected (pressing repeatedly).



SETTINGS

Accesses the main menu.

Q.MENU

Accesses the quick menu.

Navigation buttons (up/down/left/right)

Scrolls through menus or options.

OK

Selects menus or options and confirms your input.

↶ (BACK)

Returns to the previous level.

EXIT

Clears all on-screen displays and returns to TV viewing.

+ VOL -

Adjusts the volume level.

FAV

Accesses your favorite channel list.

SIMPLINK

Accesses the AV devices connected to the TV;
Opens the SIMPLINK menu.

MUTE

Mutes all sounds.

+ CH -

Scrolls through the saved channels.

↑ PAGE ↓

Moves to the previous or next screen.

Color buttons

These access special functions in some menus.

Control buttons

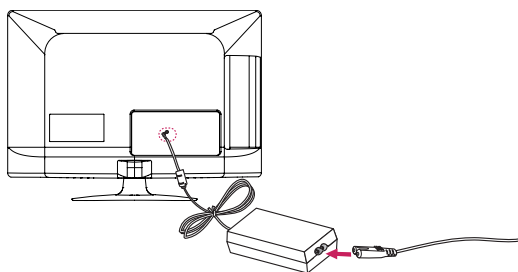
Controls the SIMPLINK compatible devices (USB, SIMPLINK).

Not functional.

WATCHING TV

Connecting to the AC/DC adapter

(For 22/26LS3500, 22/26LS3510)



- 1 Connect the AC/DC adapter plug to the power input jack on the TV.
- 2 Connect the power cord to the AC/DC adapter first, then plug the power cord into the wall power outlet.

CAUTION

- Please be sure to connect the TV to the AC/DC power adapter before connecting the TV's power plug to a wall power outlet.

Turning the TV on for the first time

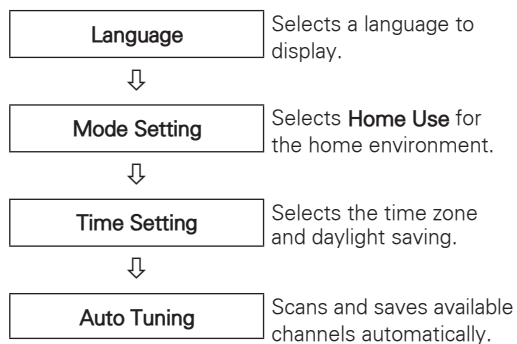
When you turn the TV on for the first time, the Initial setting screen appears. Select a language and customize the basic settings.

- 1 Connect the power cord to a power outlet. The Power indicator turns red and the TV switches to Standby mode.
- 2 In Standby mode, press the power button on the remote control to turn the TV on. The Initial setting screen appears if you turn the TV on for the first time.

NOTE

- You can also access **Initial Setting** by accessing **OPTION** in the main menu.

- 3 Follow the on-screen instructions to customize your TV settings according to your preferences.



NOTE

- To display images in the best quality for your home environment, select **Home Use**.
- **Store Demo** is suitable for the retail environment.
- If you select **Store Demo**, any customized settings will switch back to the default settings of **Store Demo** in 5 minutes.

- 4 When the basic settings are complete, press **OK**.

NOTE

- If you do not complete the Initial setting, it will appear whenever the TV turns on.
- Disconnect the power cord from the power outlet when you do not use the TV for a long period of time.

- 5 To turn the TV off, press the power button on the remote control.

TROUBLESHOOTING

Problem	Solution
Cannot control the TV with the remote control.	<ul style="list-style-type: none"> • Check the remote control sensor on the product and try again. • Check if there is any obstacle between the product and the remote control. • Check if the batteries are still working and properly installed (+ to +, - to -).
No image display and no sound is produced.	<ul style="list-style-type: none"> • Check if the product is turned on. • Check if the power cord is connected to a wall outlet. • Check if there is a problem in the wall outlet by connecting other products.
The TV turns off suddenly.	<ul style="list-style-type: none"> • Check the power control settings. The power supply may be interrupted. • Check if the Auto sleep feature is activated in the Time settings. • If there is no signal while the TV is on, the TV will turn off automatically after 15 minutes of inactivity.

OPEN SOURCE SOFTWARE NOTICE

To obtain the source code under GPL, LGPL, MPL and other open source licenses, that is contained in this product, please visit '<http://opensource.lge.com>'.

In addition to the source code, all referred license terms, warranty disclaimers and copyright notices are available for download.

LG Electronics will also provide open source code to you on CD-ROM for a charge covering the cost of performing such distribution (such as the cost of media, shipping and handling) upon email request to opensource@lge.com. This offer is valid for three (3) years from the date on which you purchased the product.

SPECIFICATIONS

Product specifications may be changed without prior notice due to upgrade of product functions.

Television System		NTSC-M, ATSC, 64 & 256 QAM
Program Coverage		VHF 2-13, UHF 14-69, CATV 1-135, DTV 2-69, CADTV 1-135
External Antenna Impedance		75 Ω
Environment condition	Operating Temperature	0 - 40 °C
	Operating Humidity	Less than 80 %
	Storage Temperature	-20 - 60 °C
	Storage Humidity	Less than 85 %

MODELS		32CS460 (32CS460-UC)
		32CS461 (32CS461-UA)
Dimensions (W x H x D)	With stand	794.0 x 565.0 x 207.0 mm (31.2 x 22.2 x 8.1 inch)
	Without stand	794.0 x 504.0 x 73.5 mm (31.2 x 19.8 x 2.8 inch)
Weight	With stand	9.0 kg (19.8 lbs)
	Without stand	8.0 kg (17.6 lbs)
Current Value / Power consumption		1.1 A / 110 W
Power requirement		AC100 - 240 V ~ 50/60 Hz

MODELS		42CS530 (42CS530-UB)	32CS560 (32CS560-UE)
Dimensions (W x H x D)	With stand	1019.0 x 698.0 x 265.0 mm (40.1 x 27.4 x 10.4 inch)	795.0 x 568.0 x 207.0 mm (31.2 x 22.3 x 8.1 inch)
	Without stand	1019.0 x 631.0 x 76.5 mm (40.1 x 24.8 x 3.0 inch)	795.0 x 504.0 x 73.5 mm (31.2 x 19.8 x 2.8 inch)
Weight	With stand	15.1 kg (33.2 lbs)	9.2 kg (20.2 lbs)
	Without stand	13.4 kg (29.5 lbs)	8.1 kg (17.8 lbs)
Current Value / Power consumption		1.7 A / 170 W	1.2 A / 120 W
Power requirement		AC100 - 240 V ~ 50/60 Hz	AC100 - 240 V ~ 50/60 Hz

MODELS		37CS560 (37CS560-UE)	42CS560 (42CS560-UE)
Dimensions (W x H x D)	With stand	913.0 x 639.0 x 265.0 mm (35.9 x 25.1 x 10.4 inch)	1019.0 x 698.0 x 265.0 mm (40.1 x 27.4 x 10.4 inch)
	Without stand	913.0 x 571.0 x 77.4 mm (35.9 x 22.4 x 3.0 inch)	1019.0 x 631.0 x 76.5 mm (40.1 x 24.8 x 3.0 inch)
Weight	With stand	12.8 kg (28.2 lbs)	15.1 kg (33.2 lbs)
	Without stand	11.1 kg (24.4 lbs)	13.4 kg (29.5 lbs)
Current Value / Power consumption		1.6 A / 160 W	1.7 A / 170 W
Power requirement		AC100 - 240 V ~ 50/60 Hz	AC100 - 240 V ~ 50/60 Hz

MODELS		32LS3400 (32LS3400-UA)	42LS3400 (42LS3400-UA)
		32LS3410 (32LS3410-UB)	
Dimensions (W x H x D)	With stand	795.0 x 566.0 x 207.0 mm (31.2 x 22.2 x 8.1 inch)	1018.0 x 696.0 x 261.0 mm (40.0 x 27.4 x 10.2 inch)
	Without stand	795.0 x 504.0 x 73.5 mm (31.2 x 19.8 x 2.8 inch)	1018.0 x 629.0 x 76.5 mm (40.0 x 24.7 x 3.0 inch)
Weight	With stand	9.1 kg (20.0 lbs)	14.7 kg (32.4 lbs)
	Without stand	8.1 kg (17.8 lbs)	13.1 kg (28.8 lbs)
Current Value / Power consumption		1.0 A / 70 W	1.2 A / 120 W
Power requirement		AC100 - 240 V ~ 50/60 Hz	AC100 - 240 V ~ 50/60 Hz

MODELS		32LS3450 (32LS3450-UA)	42LS3450 (42LS3450-UA)
		Dimensions (W x H x D)	With stand
Without stand	738.0 x 438.0 x 86.0 mm (29.0 x 17.2 x 3.4 inch)		972.0 x 571.0 x 86.0mm (38.2 x 22.4 x 3.4 inch)
Weight	With stand	7.5 kg (16.5 lbs)	11.8 kg (26.0 lbs)
	Without stand	6.9 kg (15.2 lbs)	10.7 kg (23.5 lbs)
Current Value / Power consumption		0.9 A / 60 W	1.3 A / 90 W
Power requirement		AC100 - 240 V ~ 50/60 Hz	AC100 - 240 V ~ 50/60 Hz

MODELS		22LS3500 (22LS3500-UD)	26LS3500 (26LS3500-UD)
		22LS3510 (22LS3510-UA)	26LS3510 (26LS3510-UA)
Dimensions (W x H x D)	With stand	523.0 x 376.0 x 140.0 mm (20.5 x 14.8 x 5.4 inch)	627.0 x 442.0 x 162.0 mm (24.6 x 17.4 x 6.3 inch)
	Without stand	523.0 x 339.0 x 31.6 mm (20.5 x 13.3 x 1.2 inch)	627.0 x 402.0 x 30.1 mm (24.6 x 15.8 x 1.1 inch)
Weight	With stand	3.5 kg (7.7 lbs)	4.5 kg (9.9 lbs)
	Without stand	3.2 kg (7.0 lbs)	4.2 kg (9.2 lbs)
Power requirement		24 V==, 1.4 A	24 V==, 1.8 A
Adapter (DC Power)		In: AC 100 - 240 V ~ 50/60 Hz	
		Out: DC 24 V, 2.7 A or 2.71 A	

MODELS		32LS3500 (32LS3500-UD)
		32LS3510 (32LS3510-UA)
Dimensions (W x H x D)	With stand	755.0 x 530.0 x 239.0 mm (29.7 x 20.8 x 9.4 inch)
	Without stand	755.0 x 479.0 x 45.8 mm (29.7 x 18.8 x 1.8 inch)
Weight	With stand	8.5 kg (18.7 lbs)
	Without stand	7.7 kg (16.9 lbs)
Current Value / Power consumption		0.6 A / 60 W
Power requirement		AC100 - 240 V ~ 50/60 Hz

MODELS		47LS4500 (47LS4500-UD)	55LS4500 (55LS4500-UD)
Dimensions (W x H x D)	With stand	1089.0 mm x 730.0 mm x 270.0 mm (42.8 inch x 28.3 inch x 10.5 inch)	1263.0 mm x 833.0 mm x 330.0 mm (49.7 inch x 32.8 inch x 12.9 inch)
	Without stand	1089.0 mm x 655.0 mm x 35.5 mm (42.8 inch x 25.7 inch x 1.3 inch)	1263.0 mm x 754.0 mm x 35.5 mm (49.7 inch x 29.6 inch x 1.3 inch)
Weight	With stand	17.0 kg (37.5 lbs)	25.2 kg (55.2 lbs)
	Without stand	14.9 kg (32.8 lbs)	21.9 kg (48.2 lbs)
Current Value / Power consumption		1.2 A / 120 W	1.5 A / 150 W
Power requirement		AC100 - 240 V ~ 50/60 Hz	AC100 - 240 V ~ 50/60 Hz

HDMI (DTV) supported mode

Resolution	Horizontal Frequency (KHz)	Vertical Frequency (Hz)
720 x 480p	31.47 31.50	59.94 60.00
1280 x 720p	44.96 45.00	59.94 60.00
1920 x 1080i	33.72 33.75	59.94 60.00
1920 x 1080p	26.97	23.976
	27.00	24.00
	33.71	29.97
	33.75	30.00
	67.432	59.94
	67.50	60.00

Component port connecting information

Component ports on the TV	Y	P _B	P _R
---------------------------	---	----------------	----------------

Video output ports on DVD player	Y	P _B	P _R
	Y	B-Y	R-Y
	Y	Cb	Cr
	Y	Pb	Pr

Component supported mode

Resolution	Horizontal Frequency (KHz)	Vertical Frequency (Hz)
720 x 480i	15.73 15.73	59.94 60.00
720 x 480p	31.47 31.50	59.94 60.00
1280 x 720p	44.96 45.00	59.94 60.00
1920 x 1080i	33.72 33.75	59.94 60.00
1920 x 1080p	26.97	23.976
	27.00	24.00
	33.71	29.97
	33.75	30.00
	67.432	59.94
	67.50	60.00



The model and serial number of the TV is located on the back and/or one side of the TV. Record it below should you ever need service.

MODEL _____

SERIAL _____

The extended owner's manuals that contain information on the advanced features of this LG TV are located on the CD-ROM provided in an electronic version.

To read these files, you will need to use the personal computer (PC) equipped with a CD-ROM drive.

(For LS3400, LS3410, LS3450, LS3500, LS4500 series
USA, Canada, Mexico)



This product qualifies for ENERGY STAR in the "factory default (Home Use)" setting.

Changing the factory default settings or enabling other features may increase power consumption that could exceed the limits necessary to qualify for ENERGY STAR.



MANUAL DEL USUARIO

TELEVISOR LCD CON LED / LCD

Lea atentamente este manual antes de poner en marcha el equipo y consérvelo para futuras consultas.

TELEVISOR LCD CON LED

32LS3400	22LS3500	22LS3510	47LS4500
42LS3400	26LS3500	26LS3510	55LS4500
32LS3410	32LS3500	32LS3510	
32LS3450			
42LS3450			

TELEVISOR LCD

32CS460	32CS560
32CS461	37CS560
42CS530	42CS560

INSTRUCCIONES DE SEGURIDAD IMPORTANTES

Siga siempre estas instrucciones para evitar situaciones peligrosas y garantizar el rendimiento máximo del producto.



**ADVERTENCIA/
PRECAUCION**
**RIESGO DE CHOQUE
ELECTRICO NO ABRIR**



PARA REDUCIR EL RIESGO DE DESCARGAS ELÉCTRICAS, NO quite la cubierta (o la parte posterior). EL USUARIO NO PUEDE CAMBIAR NI REPARAR LOS COMPONENTES INTERNOS. CONSULTE ÚNICAMENTE AL PERSONAL DE SERVICIO CALIFICADO.



El símbolo de relámpago con una punta de flecha, dentro de un triángulo equilátero, tiene como fin alertar al usuario sobre la presencia en el producto de "voltaje peligroso" sin aislar que puede tener la potencia suficiente para presentar riesgo de descargas eléctricas a los usuarios.



El signo de admiración dentro de un triángulo equilátero tiene el fin de alertar al usuario sobre la presencia de instrucciones importantes de funcionamiento y de mantenimiento (servicio) en el folleto que acompaña al equipo.

ADVERTENCIA/PRECAUCIÓN

- PARA REDUCIR EL RIESGO DE INCENDIOS O DESCARGAS ELÉCTRICAS, NO EXPONGA EL PRODUCTO A LA LLUVIA O LA HUMEDAD.

Lea estas instrucciones.

Conserve estas instrucciones.

Preste atención a las advertencias.

Siga todas las instrucciones.



- No use el aparato cerca del agua.



- Limpie únicamente con un paño seco.



- No tape ni bloquee las aberturas de ventilación. Realice la instalación siguiendo las instrucciones del fabricante.



- No instale el producto cerca de fuentes de calor como radiadores, rejillas de calefacción central, estufas u otro tipo de aparatos que emitan calor (incluidos los amplificadores).



- No anule el propósito de seguridad del enchufe polarizado o del enchufe a tierra. Un enchufe polarizado tiene dos clavijas, una más ancha que la otra. Un enchufe a tierra tiene dos clavijas y un tercer terminal de puesta a tierra. La clavija ancha o el terminal de puesta a tierra se proveen para proteger al usuario. Si el enchufe del equipo no entra en la toma, consulte a un electricista para cambiar el tomacorriente (puede variar según el país).



- Asegúrese de que el cable de alimentación esté protegido para evitar que lo pisen o aplasten, especialmente en los enchufes, los tomacorrientes o el punto de salida desde el aparato.



- Use únicamente los accesorios recomendados por el fabricante.



- Use el producto únicamente en mesas portátiles, pies, trípodes, soportes o mesas indicados por el fabricante o provistos con el aparato. Al emplear una mesa portátil, tenga cuidado al moverla con el aparato encima, para evitar daños por caídas.



- Desenchufe el aparato durante tormentas eléctricas o si no planea usarlo durante un periodo prolongado.



- Consulte todas las cuestiones de servicio de mantenimiento al personal de servicio calificado. El servicio es necesario cuando el aparato sufre algún tipo de daño, por ejemplo, cuando un cable de suministro eléctrico o un conector está dañado, se derrama líquido o se cae un objeto dentro del aparato, el aparato se expone a la lluvia o a la humedad, no funciona en forma normal o sufre una caída.



- No inserte objetos de metal u otro material conductor en el cable de alimentación. No toque el extremo del cable de alimentación mientras esté enchufado.

- Mantenga el material de embalaje contra la humedad y el embalaje de vinilo fuera del alcance de los niños. El material contra la humedad es dañino si se ingiere. Si se ingiere por accidente, obligue a la persona a vomitarlo y acuda al hospital más cercano. Además, el embalaje de vinilo puede provocar asfixia. Manténgalo fuera del alcance de los niños.

- **PRECAUCIÓN** con respecto al cable de alimentación (puede variar según el país): Se recomienda colocar los aparatos en un circuito específico, es decir, un tomacorriente único que alimente solamente al aparato, y que no tenga otros tomacorrientes ni circuitos derivados. Consulte la página de especificaciones en el manual del usuario. No conecte demasiados aparatos a la misma toma de corriente de CA, dado que podría provocar incendios o descargas eléctricas. No sobrecargue los tomacorrientes de la pared. Asegúrese de que los tomacorrientes de la pared no estén sobrecargados, sueltos ni dañados, y que los alargues, los cables de alimentación y el aislamiento de los cables no estén desgastados, ya que estas condiciones son peligrosas. Cualquiera de estos casos podría provocar incendios o descargas eléctricas. Examine regularmente el cable del aparato; si le parece que está dañado o deteriorado, desenchúfelo y no use más ese cable. Llame al personal de servicio técnico autorizado para que lo reemplace por uno exactamente igual. Proteja el cable de alimentación de daños físicos o mecánicos, es decir, que no se tuerza, doble, deforme, que no quede atrapado al cerrar una puerta y que no lo pisen. Preste especial atención a los enchufes, tomacorrientes de la pared y al punto de salida del cable en el aparato. No mueva el televisor con el cable de alimentación enchufado. No use un cable de alimentación que esté suelto o dañado. Al desenchufar el cable, asegúrese de hacerlo desde el enchufe. No tire del cable para desenchufar el televisor.



- **Advertencia** - para disminuir los riesgos de incendio o descargas eléctricas, no exponga el producto a la lluvia, la humedad u otro tipo de líquidos. No toque el televisor con las manos mojadas. No instale el producto cerca de objetos inflamables como combustible o velas, ni lo exponga al aire acondicionado directo.

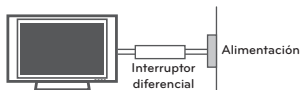


- No exponga el producto a ningún tipo de goteo ni salpicaduras, y no coloque sobre o por encima del televisor (por ejemplo, en estantes que pudieran encontrarse arriba de la unidad) ningún tipo de objeto que contenga líquido, como floreros, tazas, etc.



• **Puesta a tierra**

(Excepto dispositivos sin conexión a tierra.) Asegúrese de que el cable de puesta a tierra esté conectado para evitar descargas eléctricas (es decir, un televisor con un enchufe de CA de tres clavijas debe conectarse a un tomacorriente de CA con puesta a tierra de tres clavijas). Si no puede colocarse ninguna puesta a tierra, solicite a un electricista calificado que instale un disyuntor. No intente improvisar una puesta a tierra con conexiones a cables de teléfono, pararrayos o caños de gas.



• **DESCONECTE EL DISPOSITIVO DE LA FUENTE DE ALIMENTACION PRINCIPAL**

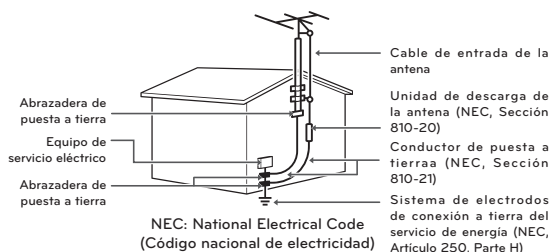
La toma de corriente debe permanecer fácilmente accesible en caso que el dispositivo requiera ser desconectado.

- Mientras la unidad esté conectada al tomacorriente de CA de la pared, no se desconectará de la fuente de alimentación de CA, aún cuando el aparato esté apagado.
- No intente modificar este producto de ninguna manera sin autorización previa por escrito de LG Electronics. Cualquier tipo de modificación sin autorización previa podría anular la autoridad del usuario para usar el producto.

• **ANTENAS - Puesta a tierra con una antena exterior** (puede variar según el país):

Si instala una antena exterior, tome las siguientes precauciones. No se debe instalar el sistema de antena exterior cerca de las líneas aéreas de transmisión de energía, de ningún circuito o luz eléctrica, ni en ningún lugar donde pudiera entrar en contacto con este tipo de cables eléctricos o circuitos, dado que podría provocar daños graves o incluso la muerte. Asegúrese de que el sistema de antena tenga una puesta a tierra para proteger contra sobretensiones y acumulaciones de cargas estáticas. La Sección 810 del Código nacional de electricidad (NEC) de los Estados Unidos establece la forma de realizar una puesta a tierra correcta del mástil, de la estructura de soporte, del cable de bajada a una unidad de descarga de la antena, el tamaño de los conductores de puesta a tierra, la ubicación de la unidad de descarga de la antena, y la conexión y los requisitos de los electrodos de puesta a tierra

Puesta a tierra de la antena según el Código nacional de electricidad, ANSI/NFPA 70



- **Limpieza**

Al efectuar la limpieza, desenchufe el cable de alimentación y limpie suavemente con un paño suave para no rayar la superficie. No rocíe con agua ni otros líquidos directamente sobre el televisor, dado que podría provocar una descarga eléctrica. No limpie con productos químicos como alcohol, diluyentes o bencina.

- **Traslados**

Asegúrese de que el aparato esté apagado, desenchufado y que no quede ningún cable conectado. Es posible que se necesiten dos personas para trasladar los televisores de gran tamaño. No ejerza presión ni empuje el panel frontal del televisor.

- **Ventilación**

Instale el televisor en un lugar bien ventilado. No lo coloque en un lugar cerrado como, por ejemplo, un estante para libros. No cubra el producto con telas ni ningún otro material mientras esté enchufado. No lo instale en lugares con demasiado polvo.

- Si huele humo u otros olores que provienen de la TV, desconecte el cable de alimentación y comuníquese con un centro de servicio autorizado.
- No ejerza demasiada presión sobre el panel con la mano ni con objetos punzantes, como un clavo, una lapicera o un lápiz, ni raye la superficie.
- Mantenga el aparato alejado de la luz solar directa.



- Nunca toque el aparato o la antena durante una tormenta eléctrica o con truenos.
- Al montar el televisor en la pared, asegúrese de que los cables de alimentación y de señal no queden colgando en la parte posterior.
- No permita que se golpee el producto o que algún objeto se caiga dentro de él, ni que se golpee la pantalla.

- **Aparición de puntos**

El panel de plasma o LCD es un producto de alta tecnología con una resolución de entre dos y seis millones de píxeles. En raras ocasiones, es posible que note la presencia de pequeños puntos en la pantalla mientras mira televisión. Estos puntos son píxeles desactivados y no afectan el rendimiento ni la fiabilidad del televisor.

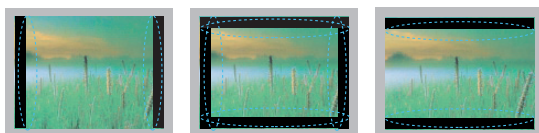
- **Reproducción de ruidos**

“Crujidos”: es posible que se produzcan crujidos cuando esté mirando televisión o al apagar el televisor; se trata de un ruido generado por la contracción térmica del plástico debido a la temperatura y la humedad. Este ruido es común en productos donde se requiere la deformación térmica. Zumbidos en el circuito eléctrico o el panel: se trata de un ruido de bajo nivel, generado por un circuito de conmutación de alta velocidad, que suministra una gran cantidad de corriente para que un producto pueda funcionar. Varía según cada producto. Este ruido no afecta el rendimiento ni la fiabilidad del producto.

- Tenga cuidado de no tocar las aberturas de ventilación. Al mirar televisión durante largos periodos, las aberturas de ventilación pueden calentarse. Esto no afecta el rendimiento ni causa defectos en el producto.
- Si siente que el televisor está frío al tocarlo, es posible que ocurra un pequeño “parpadeo” cuando lo prenda. Se trata de algo normal y no significa que el televisor esté dañado. También es posible que aparezcan pequeños puntos en la pantalla, de color rojo, verde o azul. Sin embargo, no afectan el rendimiento del televisor. No toque la pantalla LCD ni coloque los dedos sobre ella durante mucho tiempo. Esto podría producir algunos efectos de distorsión temporales en la pantalla.

DESECHO (la lámpara de mercurio solo se utiliza en televisores LCD)

Este producto tiene una lámpara fluorescente que contiene una pequeña cantidad de mercurio. No tire este producto junto con los desechos domésticos comunes. Debe desecharse conforme las disposiciones de la autoridad local.

Cómo evitar el efecto de "degradación de la imagen por sobreexposición" o "quemadura de pantalla" del televisor

- Si se muestra una imagen fija en la pantalla del televisor durante un período largo, esta quedará impresa y se convertirá en una distorsión permanente de la pantalla. A este desperfecto se lo conoce como "degradación de la imagen por sobreexposición" o "quemadura de pantalla" y no está cubierto por la garantía.
- Si la relación de aspecto del televisor se establece durante mucho tiempo en 4:3, se puede producir una degradación de imagen en las zonas de bandas del formato buzón.
- Evite emitir imágenes fijas en la pantalla del televisor durante períodos prolongados (2 horas o más para LCD, 1 hora o más para TV de plasma) para evitar la degradación de imagen.

Para Estados Unidos y Canadá

AVISO DE LA FCC

Este equipo ha sido evaluado y cumple con los límites para dispositivos digitales clase B, conforme el artículo 15 de las reglas de la FCC. Estos límites han sido diseñados para brindar una protección razonable contra la interferencia dañina en una instalación residencial. Este equipo genera, utiliza y puede irradiar energía de radiofrecuencia y, si no se instala y no se utiliza de acuerdo con las instrucciones, podría causar interferencia dañina a las comunicaciones radiales. Sin embargo, no existe garantía de que la interferencia no se produzca en una instalación en particular. Si este equipo ocasiona interferencia dañina en la recepción de radio o televisión (lo cual puede determinarse encendiendo y apagando el equipo), se recomienda al usuario que intente corregir la interferencia tomando una o más de las siguientes medidas:

- Reoriente o reubique la antena receptora.
- Aumente la distancia entre el equipo y el receptor.
- Conecte el equipo en un tomacorriente de un circuito diferente de aquél al que esté conectado el receptor.
- Consulte al distribuidor o a un técnico de radio/TV experimentado para obtener ayuda.

Este dispositivo cumple con el artículo 15 de las reglas de la FCC. El funcionamiento está sujeto a las dos condiciones siguientes: (1) este dispositivo no puede causar interferencia dañina y (2) este dispositivo debe aceptar cualquier interferencia que reciba, incluida la interferencia que pueda causar un funcionamiento no deseado. Cualquier tipo de modificación o cambio en la construcción del dispositivo sin autorización expresa del supervisor responsable podría anular la autoridad del usuario para utilizar el producto.

NOTA PARA EL INSTALADOR DE CATV

Se recomienda al instalador de televisión por cable (CATV) que consulte el Artículo 820-40 del Código nacional de electricidad de los Estados Unidos. El código establece las disposiciones para efectuar una puesta a tierra correcta, y en especial, indica que el cable de puesta a tierra debe conectarse al sistema de puesta a tierra del edificio lo más cerca posible del punto de entrada del cable.

Información adicional del manual

Ver el manual del usuario

El manual del usuario se proporciona en formato PDF en un CD. Instale Adobe Acrobat Reader para ver el manual del usuario en su PC.

- 1 Inserte el CD suministrado.
La página web aparece automáticamente.
- 2 Haga clic en Manual del usuario en la página web.
- 3 A continuación, aparecerá el manual del usuario.



NOTA

- Si la página web no aparece de manera automática, acceda a Mi PC y haga clic en LG e **index.htm** para ver el manual del usuario.

CONTENIDO

2 INSTRUCCIONES DE SEGURIDAD IMPORTANTES

7 Información adicional del manual

8 CONTENIDO

9 PROCEDIMIENTO DE INSTALACIÓN

9 MONTAJE Y PREPARACIÓN

- 9 Desempacar
- 16 Componentes y botones
- 20 Levantar y trasladar el televisor
- 21 Configurar el televisor
 - Colocar el pie
 - 29 - Montar sobre una mesa
 - 31 - Montar en la pared
 - 32 - Sujetar los cables

33 ESTABLECER CONEXIONES

- 33 Conexión de una antena o un cable
- 34 Conexión a un receptor de HD, reproductor de DVD o VCR
 - 34 - Conexión HDMI
 - 35 - Conexión por componente
 - 36 - Conexión compuesta
- 37 Conexión a un dispositivo PC
 - 37 - Conexión HDMI
- 38 Conexión a un sistema de audio
 - 38 - Conexión de audio óptica digital
 - 39 Conexión a un dispositivo USB

40 CONTROL REMOTO

42 MIRAR TV

- 42 Conectar al adaptador de CA/CC
- 42 Encender el televisor por primera vez

43 SOLUCIÓN DE PROBLEMAS

43 AVISO SOBRE SOFTWARE DE CÓDIGO ABIERTO

44 ESPECIFICACIONES



NOTA

- La imagen puede ser diferente a la de su televisor.
- El OSD (On Screen Display, Despliegue En la Pantalla) de su TV puede ser un poco diferente que este manual.
- Los menús y las opciones disponibles pueden variar según la fuente de entrada que utilice.
- Es posible que se agreguen nuevas funciones a este televisor en el futuro.

PROCEDIMIENTO DE INSTALACIÓN

- 1 Abra el paquete y asegúrese de que todos los accesorios estén incluidos.
- 2 Instale la base del televisor.
- 3 Conecte un dispositivo externo al televisor.

MONTAJE Y PREPARACIÓN

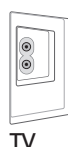
Desempacar

Verifique que la caja del producto contenga los siguientes elementos. Si falta algún accesorio, comuníquese con el distribuidor local mediante el cual adquirió el producto. Las ilustraciones de este manual pueden diferir del producto que usted adquirió.



PRECAUCIÓN

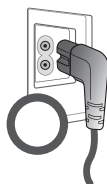
- No use ningún producto no autorizado para garantizar la seguridad y la vida útil del producto.
- Ningun daño o lesiones por el uso de elementos no autorizados no están cubiertos por la garantía.
- En algunos modelos, la película delgada sobre la pantalla forma parte del televisor. Por ese motivo, no debe quitarla.
- Guía de instalación del cable de alimentación
 - Si el cable de alimentación suministrado con el TV se ve como el de la imagen a continuación, compruebe que esté enchufado correctamente.



TV



Cable de alimentación



Correcto

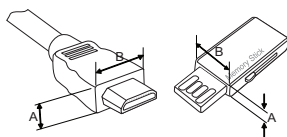


Incorrecto



NOTA

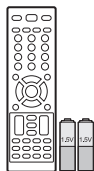
- Los artículos suministrados con el producto adquirido pueden variar según el modelo.
- Es posible que cambien las especificaciones del producto o el contenido del manual sin previo aviso debido a las actualizaciones de las funciones del producto.
- Para que la conexión sea óptima, los cables HDMI y los dispositivos USB tienen que tener biselados que no superen los 10 mm (0,39 pulgada) de espesor y 18 mm (0,7 pulgada) de ancho.
- Utilice un cable de extensión que sea compatible con USB 2.0, en caso de que el cable USB o la tarjeta de memoria USB no encajen en el puerto USB del TV.



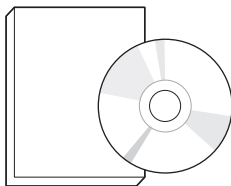
*A ≤ 10 mm (0,39 pulgada)

*B ≤ 18 mm (0,7 pulgada)

Para CS460, CS461, LS3400, LS3410 series



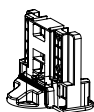
Control remoto y baterías (AAA)
(Consulte p.40)



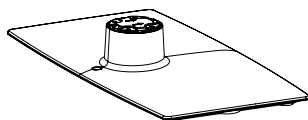
Manual del usuario, Manual en CD



Cable de alimentación



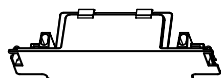
Cuerpo de Soporte
(Consulte p.21)



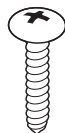
Base Soporte
(Consulte p.21)



Tornillos de soporte
8 PZ, M4 x 20
(Consulte p.21)

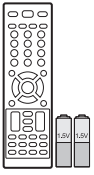


Cubierta de protección
(Consulte p.28)



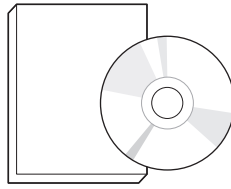
Tornillo de montaje de escritorio
(Consulte p.29)

Para LS3450 series



**Control remoto y
baterías (AAA)**
(Consulte p.40)

(Para 32LS3450)

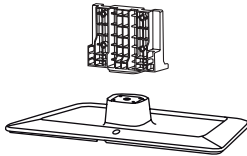


**Manual del usuario,
Manual en CD**

(Para 42LS3450)

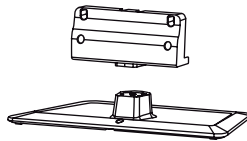


Cable de alimentación



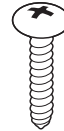
**Cuerpo de Soporte /
Base Soporte**
(Consulte p.22)

(Para 32LS3450)

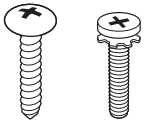


**Cuerpo de Soporte /
Base Soporte**
(Consulte p.23)

(Para 42LS3450)

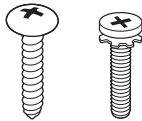


**Tornillo de montaje de
escritorio**
(Consulte p.29)

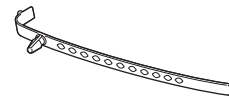


Tornillos de soporte
2 PZ, P4 x 16
4 PZ, M4 x 20
(Consulte p.22)

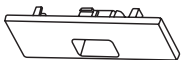
(Para 32LS3450)



Tornillos de soporte
4 PZ, P4 x 16
4 PZ, M4 x 14
(Consulte p.23)

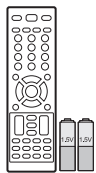


Sujetacables
(Consulte p.32)

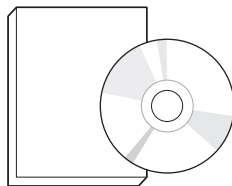


Cubierta de protección
(Consulte p.28)

Para CS530, CS560 series



Control remoto y baterías (AAA)
(Consulte p.40)



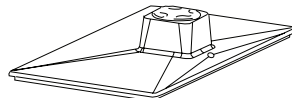
**Manual del usuario,
Manual en CD**



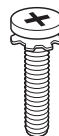
Cable de alimentación



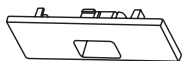
Cuerpo de Soporte
(Consulte p.24)



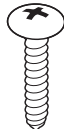
Base Soporte
(Consulte p.24)



Tornillos de soporte
8 PZ, M4 x 20
(Consulte p.24)

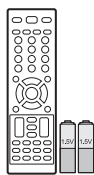


Cubierta de protección
(Consulte p.28)

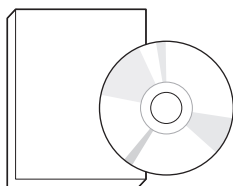


Tornillo de montaje de escritorio
(Consulte p.29)

Para 22/26LS3500, 22/26LS3510



**Control remoto y
baterías (AAA)**
(Consulte p.40)



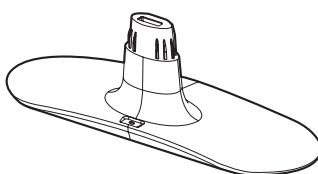
**Manual del usuario,
Manual en CD**



Cable de alimentación

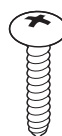


Cuerpo de Soporte
(Consulte p.25)



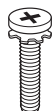
Base Soporte
(Consulte p.25)

(Para 22LS3500, 22LS3510)

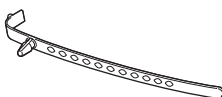


Tornillos de soporte
2 PZ, P4 x 16
(Consulte p.25)

(Para 26LS3500, 26LS3510)



Tornillos de soporte
2 PZ, M4 x 14
(Consulte p.25)

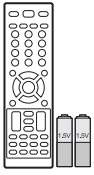


Sujetacables
(Consulte p.32)

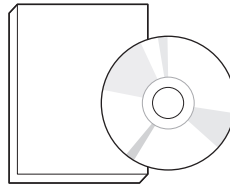


Adaptador CA/CC

Para 32LS3500, 32LS3510



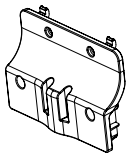
Control remoto y baterías (AAA)
(Consulte p.40)



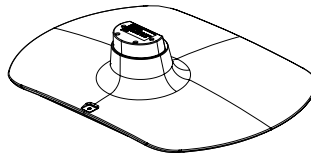
**Manual del usuario,
Manual en CD**



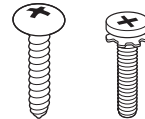
Cable de alimentación



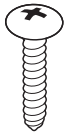
Cuerpo de Soporte
(Consulte p.26)



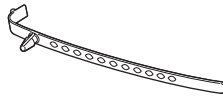
Base Soporte
(Consulte p.26)



Tornillos de soporte
4 PZ, P4 x 16
4 PZ, M4 x 14
(Consulte p.26)

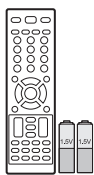


Tornillo de montaje de escritorio
(Consulte p.29)

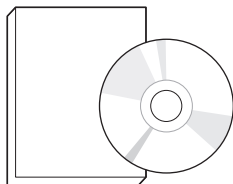


Sujetacables
(Consulte p.32)

Para 47LS4500, 55LS4500



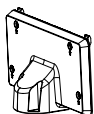
**Control remoto y
baterías (AAA)**
(Consulte p.40)



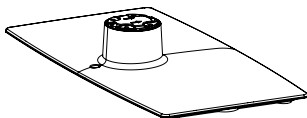
**Manual del usuario,
Manual en CD**



Separador interno
4 PZ
(Consulte p.31)



Cuerpo de Soporte
(Consulte p.27)

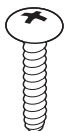


Base Soporte
(Consulte p.27)

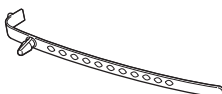


Tornillos de soporte
8 PZ, M4 x 20
(Consulte p.27)

(Para 47LS4500)



**Tornillo de montaje de
escritorio**
(Consulte p.29)



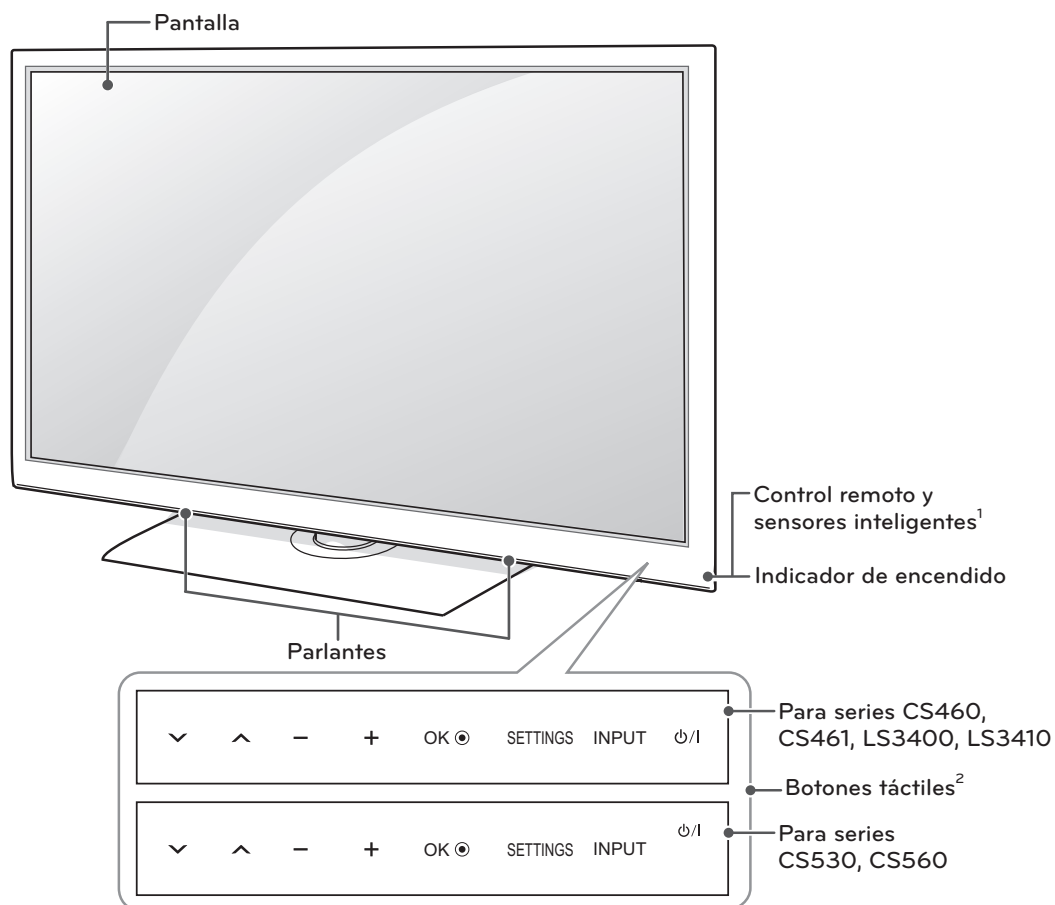
Sujetacables
(Consulte p.32)



Cable de alimentación

Componentes y botones

Para series CS460, CS461, CS530, CS560, LS3400, LS3410

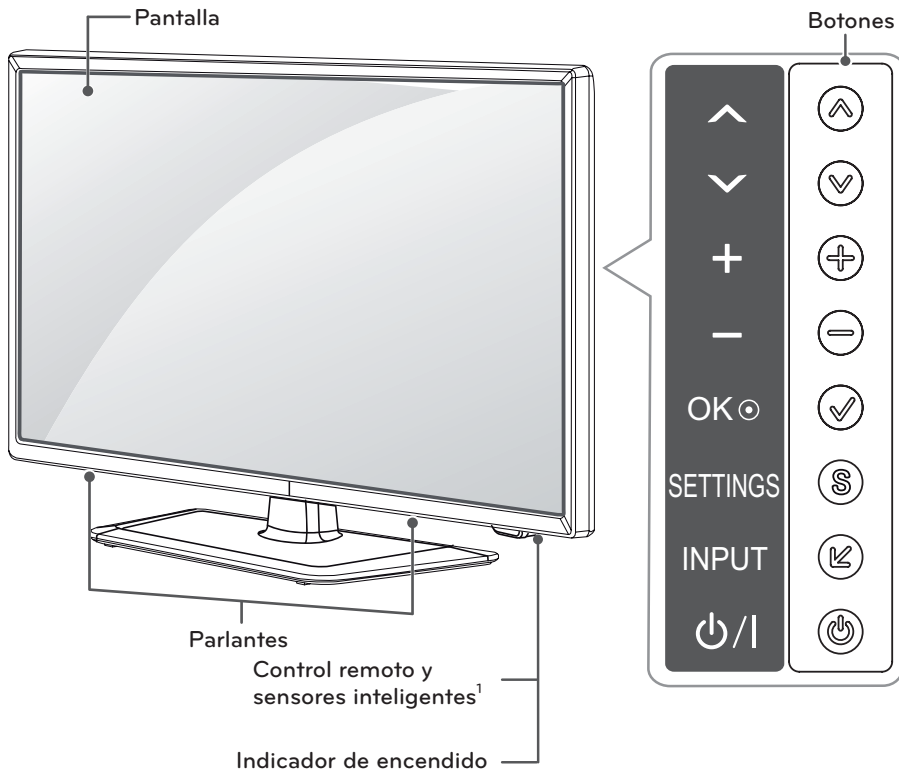


Botones táctiles ²	Descripción
ϕ / I	Enciende o apaga el aparato.
INPUT	Cambia la fuente de entrada.
SETTINGS	Permite acceder a los menús principales o guardar las entradas y salir de los menús.
OK ●	Selecciona la opción de menú resaltada o confirma una entrada.
- +	Ajusta el nivel del volumen.
v ^	Permite desplazarse por los canales guardados.

1 Sensor inteligente - Ajusta la calidad y brillo de la imagen basada en ambiente a su alrededor.

2 Todos los botones son sensibles al tacto y para operarlos solo hace falta tocarlos con el dedo.

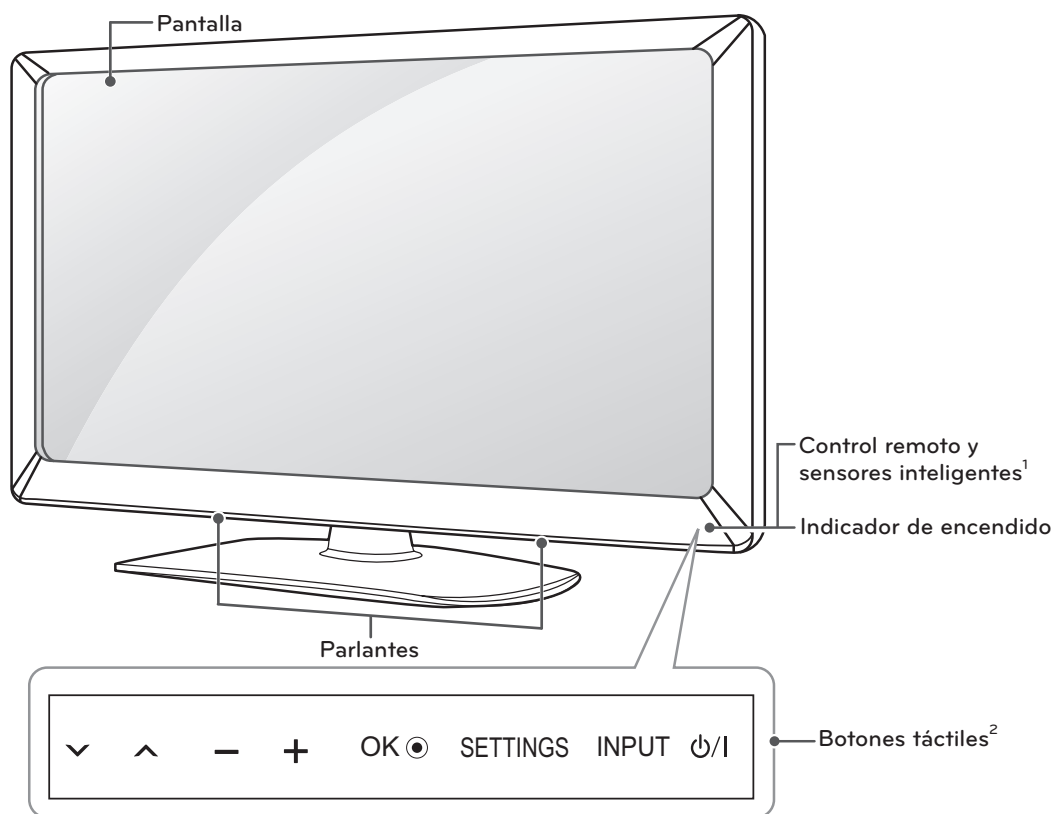
Para series LS3450



Botones	Descripción
⏻	Enciende o apaga el aparato.
INPUT ↙	Cambia la fuente de entrada.
SETTINGS S	Permite acceder a los menús principales o guardar las entradas y salir de los menús.
OK ✓	Selecciona la opción de menú resaltada o confirma una entrada.
- +	Ajusta el nivel del volumen.
↕ ^	Permite desplazarse por los canales guardados.

1 Sensor inteligente - Ajusta la calidad y brillo de la imagen basada en ambiente a su alrededor.

Para series LS3500, LS3510

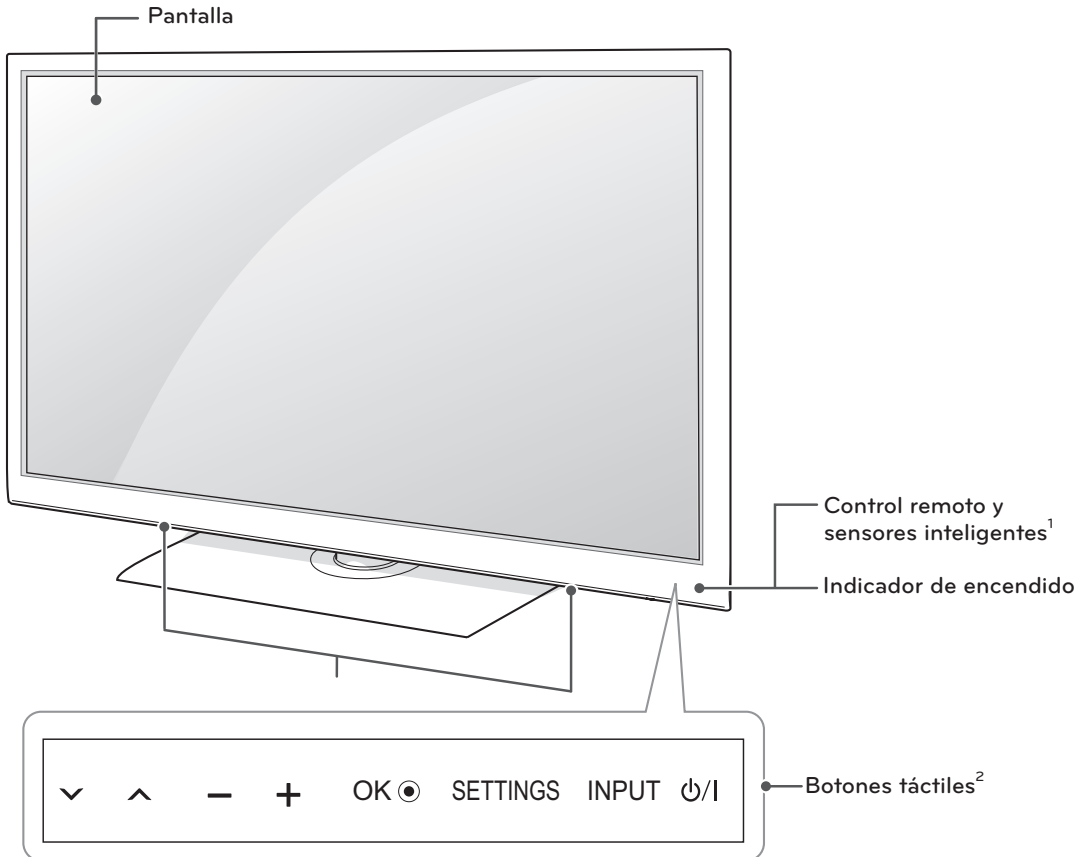


Botones táctiles ²	Descripción
⏻ / ⏻	Enciende o apaga el aparato.
INPUT	Cambia la fuente de entrada.
SETTINGS	Permite acceder a los menús principales o guardar las entradas y salir de los menús.
OK ●	Selecciona la opción de menú resaltada o confirma una entrada.
- +	Ajusta el nivel del volumen.
▼ ▲	Permite desplazarse por los canales guardados.

1 Sensor inteligente - Ajusta la calidad y brillo de la imagen basada en ambiente a su alrededor.

2 Todos los botones son sensibles al tacto y para operarlos solo hace falta tocarlos con el dedo.

Para series LS4500



Botones táctiles ²	Descripción
⏻ / ⏻	Enciende o apaga el aparato.
INPUT	Cambia la fuente de entrada.
SETTINGS	Permite acceder a los menús principales o guardar las entradas y salir de los menús.
OK ●	Selecciona la opción de menú resaltada o confirma una entrada.
- +	Ajusta el nivel del volumen.
⏪ ⏩	Permite desplazarse por los canales guardados.

- 1 Sensor inteligente - Ajusta la calidad y brillo de la imagen basada en ambiente a su alrededor.
- 2 Todos los botones son sensibles al tacto y para operarlos solo hace falta tocarlos con el dedo.

Levantar y trasladar el televisor

Si desea levantar o trasladar el televisor, lea las instrucciones a continuación para no rayar o dañar el aparato, y para transportarlo de forma segura, independientemente del tamaño o tipo de aparato.



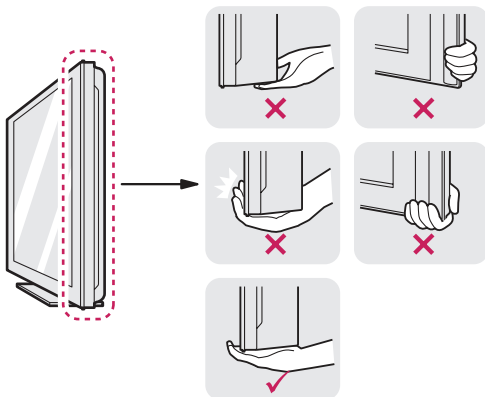
PRECAUCIÓN

- No toque la pantalla. De lo contrario, podría dañarla.

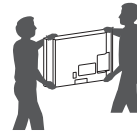
- Se recomienda trasladar el televisor en la caja o el material de embalaje en el que lo recibió al comprarlo.
- Antes de mover o levantar el televisor, desconecte el cable de alimentación y el resto de los cables.
- Cuando sostenga el televisor, la pantalla debe quedar alejada de usted para evitar algún daño.



- Sostenga con firmeza la parte superior e inferior del marco del televisor. Asegúrese de no sostenerlo por la parte transparente, por el parlante o por el área de rejillas de los parlantes.



- Si desea transportar un televisor grande, necesita la ayuda de dos personas como mínimo.
- Al transportar el televisor con las manos, sosténgalo como se indica en esta ilustración.



- Al transportar el televisor, no lo someta a sacudones o vibración excesiva.
- Al transportar el televisor manténgalo en posición vertical, nunca lo apoye sobre uno de los costados, ni lo incline hacia la derecha o la izquierda.

Configurar el televisor

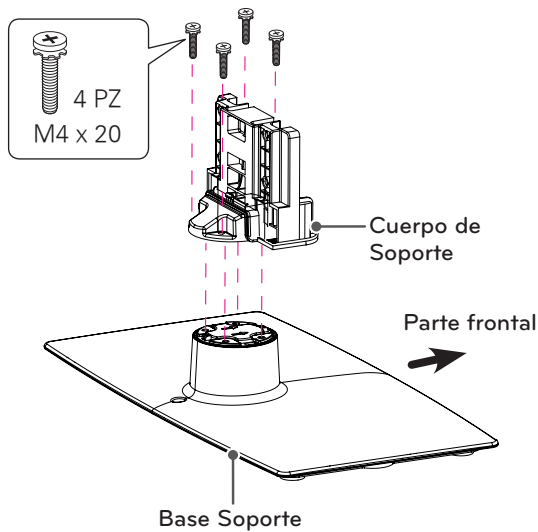
Coloque el televisor en un soporte de pedestal sobre una mesa o la pared.

Colocar el pie

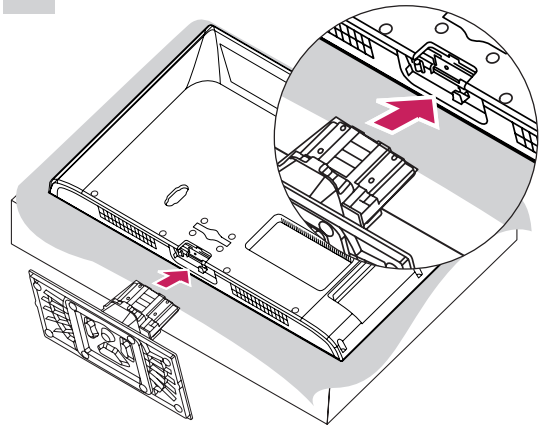
Si no instala el televisor en una pared, siga estas instrucciones para colocar el pie.

Para series CS460, CS461, LS3400, LS3410

1



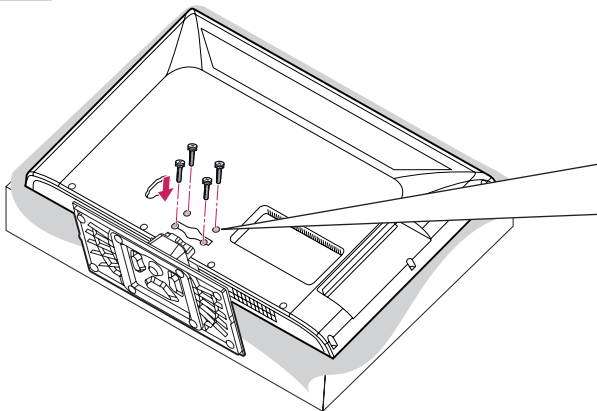
2



! PRECAUCIÓN

- Al instalar la base del televisor, ponga la pantalla hacia abajo sobre una mesa acolchada o una superficie plana para evitar rayas.

3



! PRECAUCIÓN

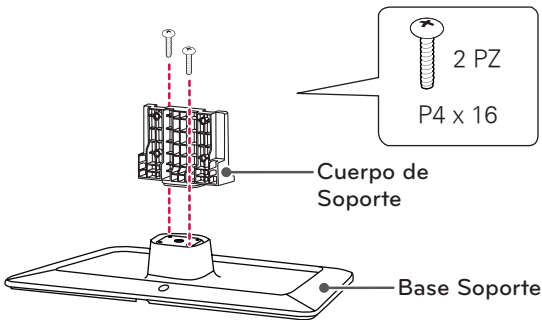
- Asegúrese de que los tornillos estén completamente ajustados. (Si no están lo suficientemente ajustados, el TV puede inclinarse hacia delante después de instalarse.)
- No ajuste los tornillos con demasiada fuerza, de lo contrario, se pueden desgastar y aflojar.

! NOTA

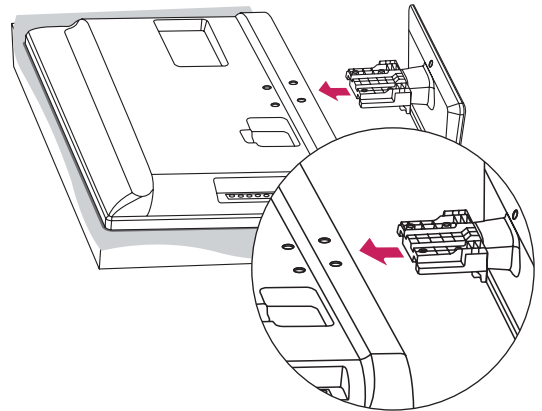
- Antes de montar el televisor en la pared, retire la base, realizando la instalación de ésta en orden inverso.

Para series 32LS3450

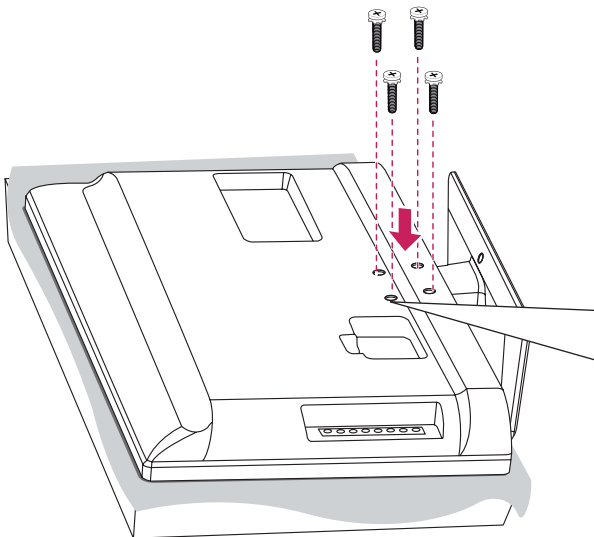
1



2

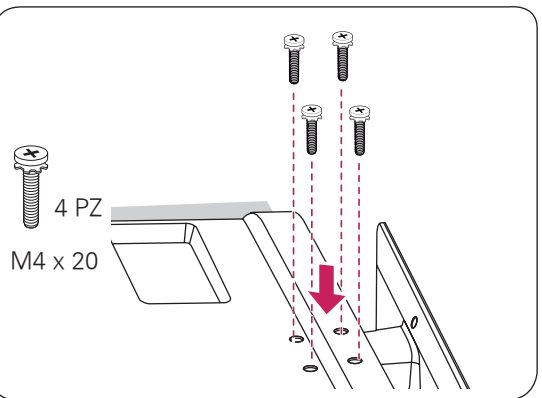


3



PRECAUCIÓN

- Al instalar la base del televisor, ponga la pantalla hacia abajo sobre una mesa acolchada o una superficie plana para evitar rayas.

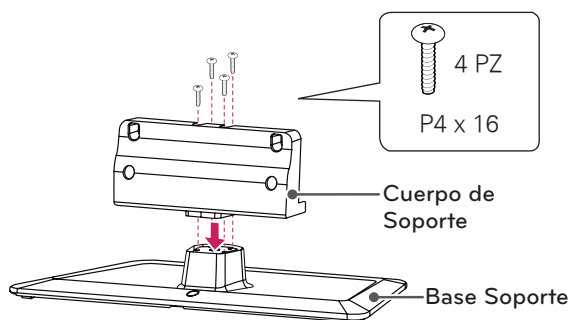


PRECAUCIÓN

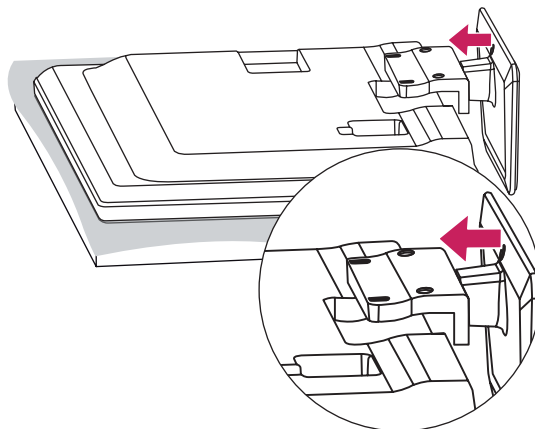
- Asegúrese de que los tornillos estén completamente ajustados. (Si no están lo suficientemente ajustados, el TV puede inclinarse hacia delante después de instalarse.)
- No ajuste los tornillos con demasiada fuerza, de lo contrario, se pueden desgastar y aflojar.

Para series 42LS3450

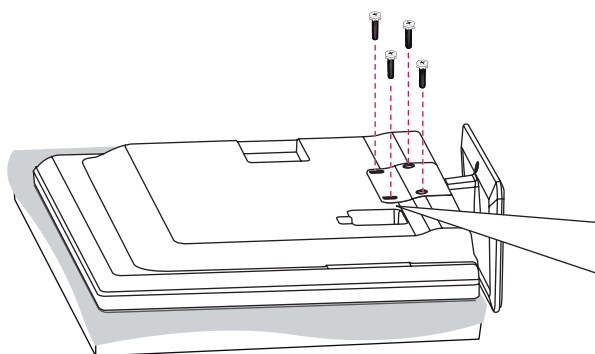
1



2



3

**! PRECAUCIÓN**

- Al instalar la base del televisor, ponga la pantalla hacia abajo sobre una mesa acolchada o una superficie plana para evitar rayas.

! NOTA

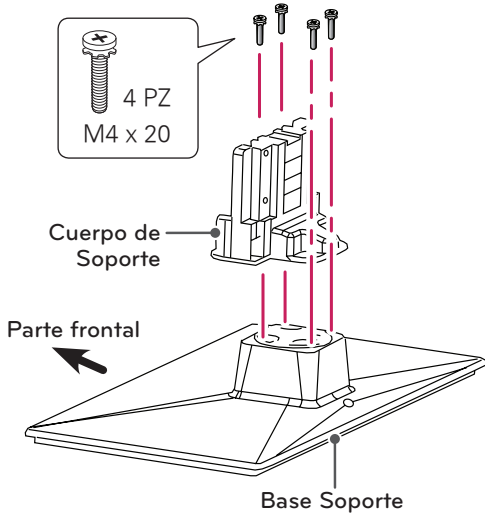
- Antes de montar el televisor en la pared, retire la base, realizando la instalación de ésta en orden inverso.

! PRECAUCIÓN

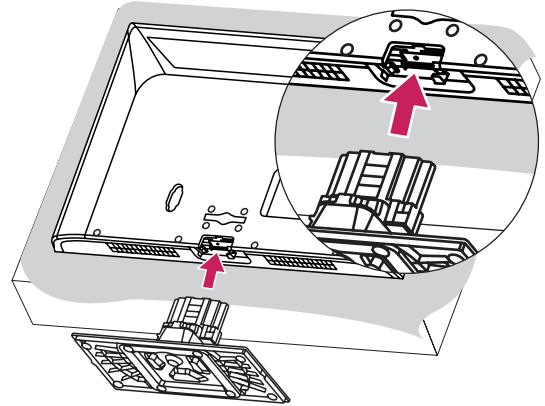
- Asegúrese de que los tornillos estén completamente ajustados. (Si no están lo suficientemente ajustados, el TV puede inclinarse hacia delante después de instalarse.)
- No ajuste los tornillos con demasiada fuerza, de lo contrario, se pueden desgastar y aflojar.

Para series CS530, CS560

1



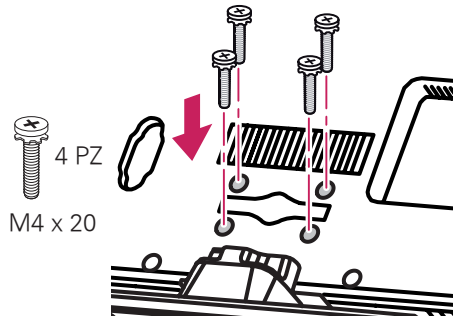
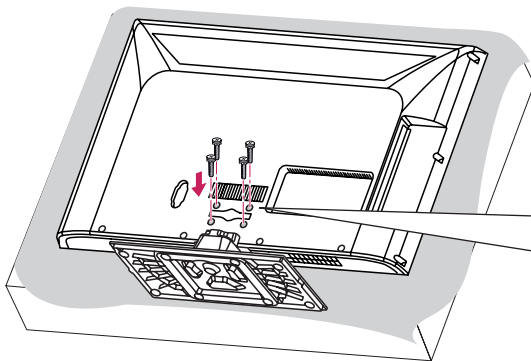
2



PRECAUCIÓN

- Al instalar la base del televisor, ponga la pantalla hacia abajo sobre una mesa acolchada o una superficie plana para evitar rayas.

3



PRECAUCIÓN

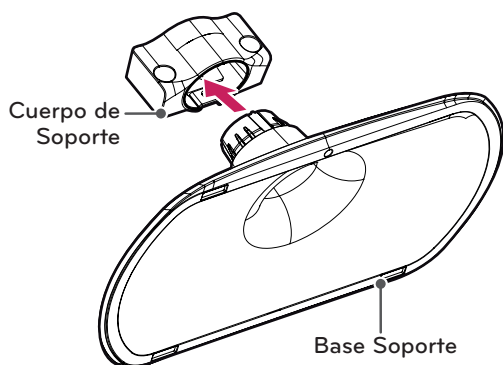
- Asegúrese de que los tornillos estén completamente ajustados. (Si no están lo suficientemente ajustados, el TV puede inclinarse hacia delante después de instalarse.)
- No ajuste los tornillos con demasiada fuerza, de lo contrario, se pueden desgastar y aflojar.

NOTA

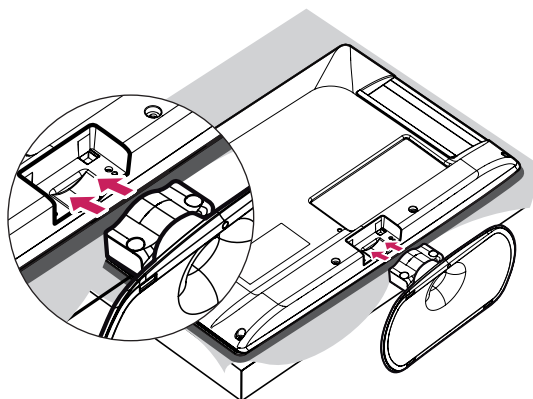
- Antes de montar el televisor en la pared, retire la base, realizando la instalación de ésta en orden inverso.

Para 22/26LS3500, 22/26LS3510

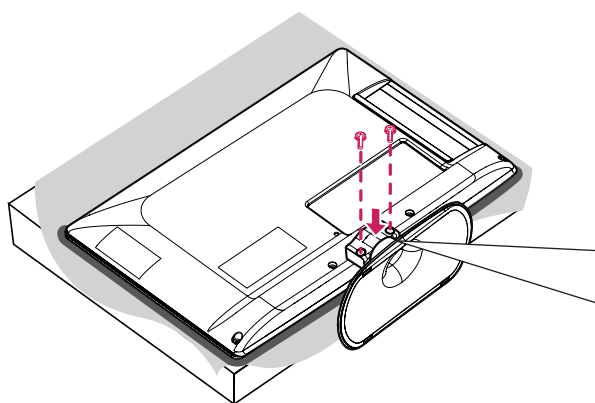
1



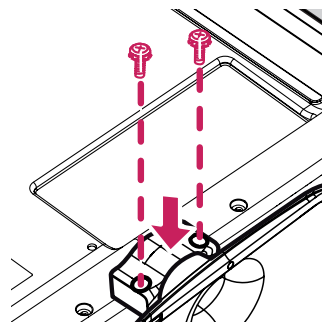
2



3

**! PRECAUCIÓN**

- Al instalar la base del televisor, ponga la pantalla hacia abajo sobre una mesa acolchada o una superficie plana para evitar rayas.

(Para 22LS3500,
22LS3510)(Para 26LS3500,
26LS3510)**! PRECAUCIÓN**

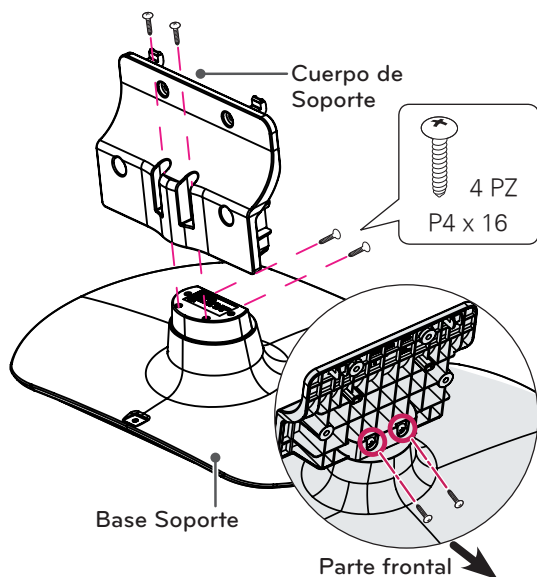
- Asegúrese de que los tornillos estén completamente ajustados. (Si no están lo suficientemente ajustados, el TV puede inclinarse hacia delante después de instalarse.)
- No ajuste los tornillos con demasiada fuerza, de lo contrario, se pueden desgastar y aflojar.

! NOTA

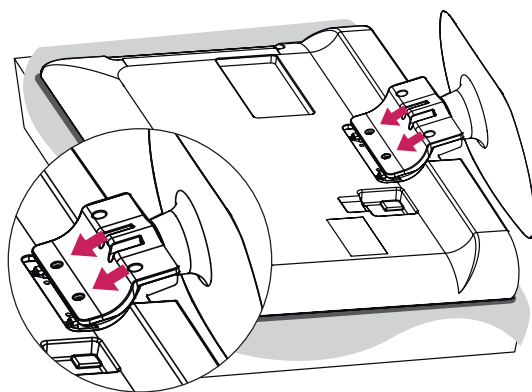
- Antes de montar el televisor en la pared, retire la base, realizando la instalación de ésta en orden inverso.

Para 32LS3500, 32LS3510

1



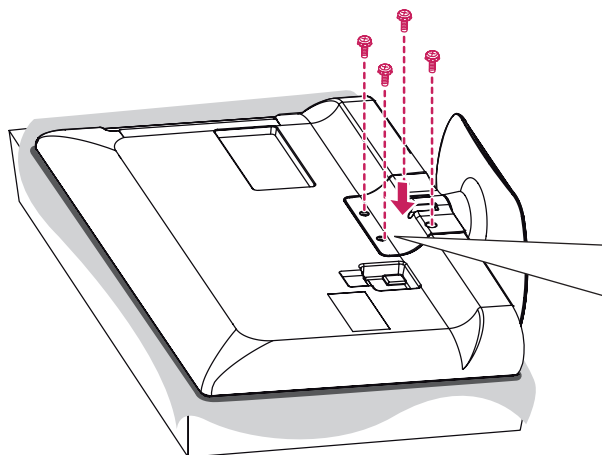
2



PRECAUCIÓN

- Al instalar la base del televisor, ponga la pantalla hacia abajo sobre una mesa acolchada o una superficie plana para evitar rayas.

3



4 PZ
M4 x 14

PRECAUCIÓN

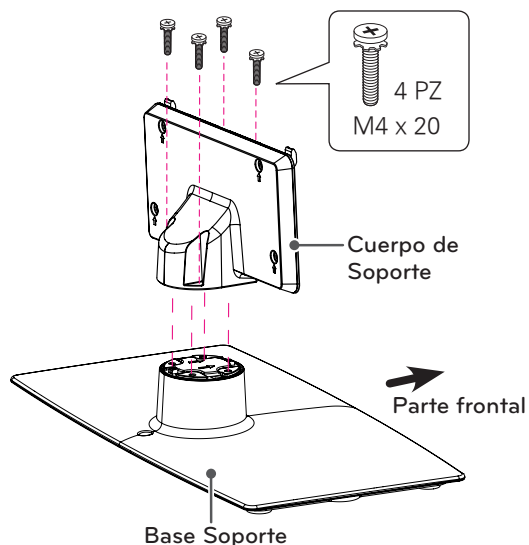
- Asegúrese de que los tornillos estén completamente ajustados. (Si no están lo suficientemente ajustados, el TV puede inclinarse hacia delante después de instalarse.)
- No ajuste los tornillos con demasiada fuerza, de lo contrario, se pueden desgastar y aflojar.

NOTA

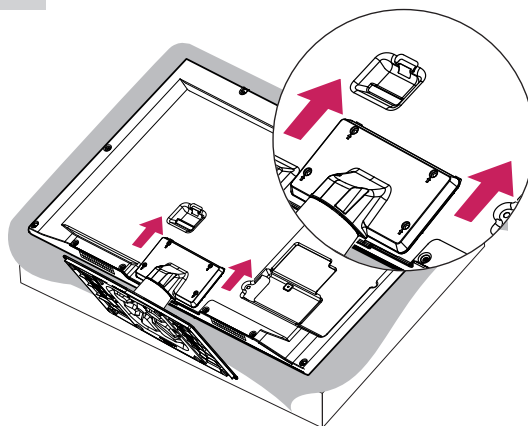
- Antes de montar el televisor en la pared, retire la base, realizando la instalación de ésta en orden inverso.

Para 47/ 55LS4500

1

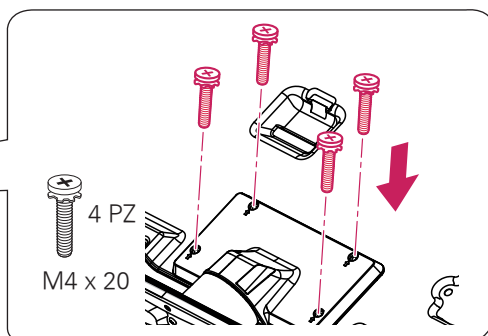
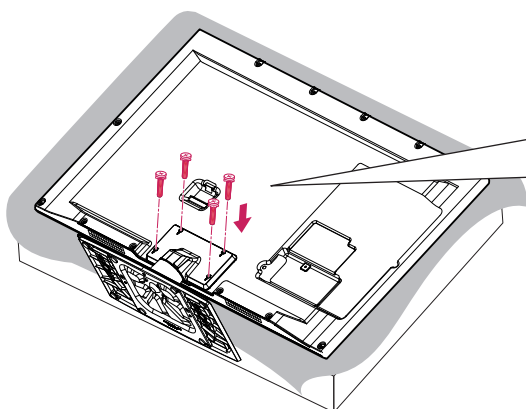


2

**! PRECAUCIÓN**

- Al instalar la base del televisor, ponga la pantalla hacia abajo sobre una mesa acolchada o una superficie plana para evitar rayas.

3

**! PRECAUCIÓN**

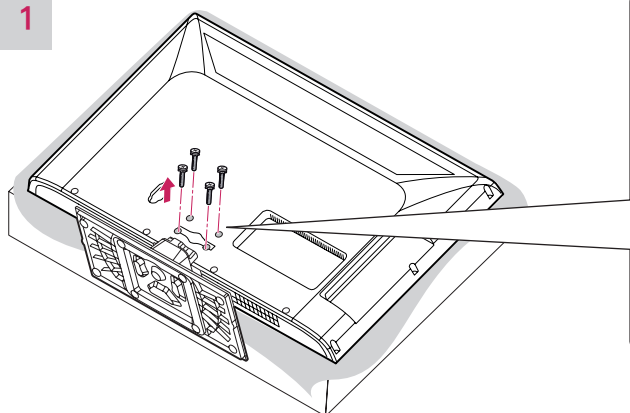
- Asegúrese de que los tornillos estén completamente ajustados. (Si no están lo suficientemente ajustados, el TV puede inclinarse hacia delante después de instalarse.)
- No ajuste los tornillos con demasiada fuerza, de lo contrario, se pueden desgastar y aflojar.

! NOTA

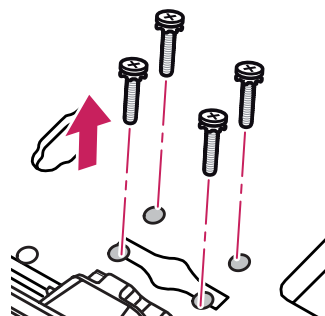
- Antes de montar el televisor en la pared, retire la base, realizando la instalación de ésta en orden inverso.

Para desmontar el pie,
(Según el modelo)

1



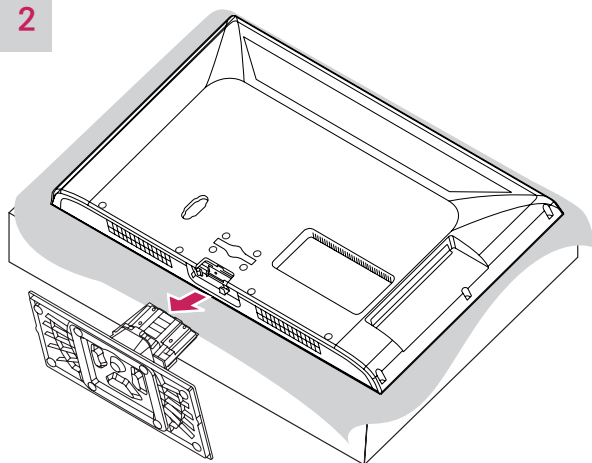
4 PZ
M4 x 20



! PRECAUCIÓN

- Al instalar la base del televisor, ponga la pantalla hacia abajo sobre una mesa acolchada o una superficie plana para evitar rayas.

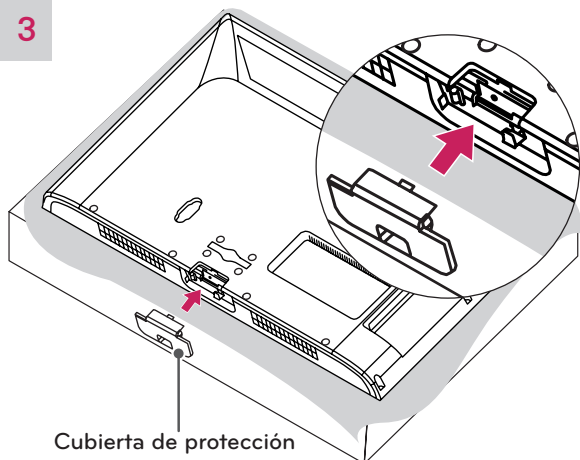
2



! NOTA

- La cubierta evita que se acumule polvo y suciedad en la abertura.
- Al instalar el soporte de pared, use la cubierta de protección.

3

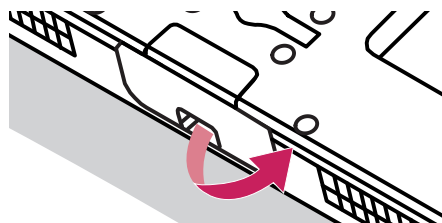


Cubierta de protección

! NOTA

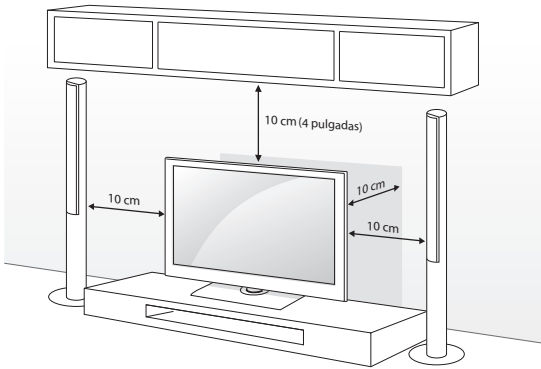
(Para 32LS3450)

- Al quitar la cubierta de protección de la base del TV, coloque sus dedos en el agujero de la cubierta. Para quitarla, sujétela firmemente y tire hacia arriba y hacia usted.



Montar sobre una mesa

- Levante el televisor y déjelo en posición vertical sobre la mesa.
 - Deje un espacio mínimo de 10 cm (4 pulgadas) entre el televisor y la pared para asegurar una ventilación adecuada.



- Conecte el cable de alimentación al tomacorriente de la pared.



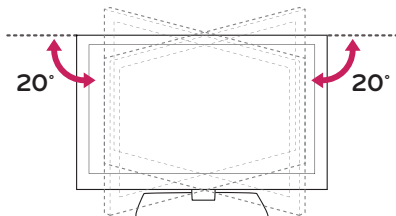
PRECAUCIÓN

- No colocar la televisión cerca de fuentes de calor, puede resultar quemada u ocasionar otro daño.

Ajuste el ángulo del TV para una mejor visibilidad

(Según el modelo)

Rote el aparato 20 grados hacia la izquierda o la derecha y ajuste el ángulo del televisor según su preferencia.

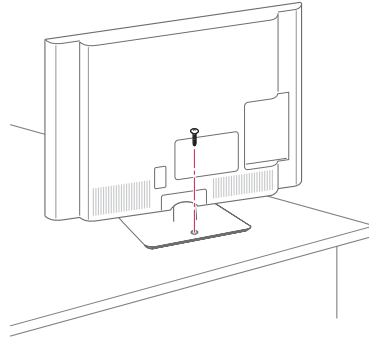


PRECAUCIÓN

- Al ajustar el ángulo del televisor, tenga cuidado con sus dedos.
- Si los dedos o las manos quedan atrapados, se pueden provocar lesiones corporales. Si el producto se inclina demasiado, podría caerse, lo que podría provocar lesiones o daños.

Asegurar el televisor a la mesa

(Para 32CS460, 32CS461, 42CS530, 32/37/42CS560, 32/42LS3400, 32LS3410, 32/42LS3450, 32LS3500, 32LS3510, 47LS4500)
 Fije el televisor a la mesa para que no se incline hacia adelante, evitando daños y posibles lesiones. Monte el televisor en una mesa, y luego inserte y ajuste el tornillo suministrado en la parte posterior del pie.

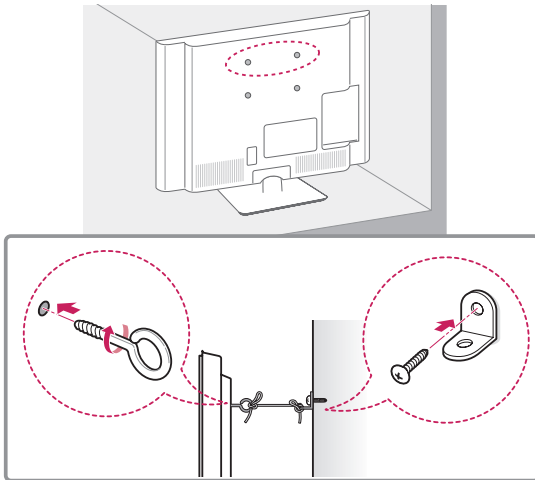


ADVERTENCIA

- Para evitar que se caiga el televisor, asegúrelo al piso o a la pared conforme a las instrucciones de instalación. Inclinar, sacudir o balancear el televisor puede provocar daños.

Fijación del televisor a la pared (opcional)

(Según el modelo)



- 1 Inserte y ajuste los tornillos de ojo del televisor en su parte posterior.
- En caso de que haya tornillos insertados, primero retírelos.
- 2 Utilice los tornillos para colocar los soportes correspondientes en la pared.
Acople el soporte de la pared con los tornillos de ojo a la parte posterior del televisor.
- 3 Conecte los tornillos de ojo y los soportes con un cordón fuerte y ajústelos con firmeza.
Asegúrese de mantener el cordón en posición horizontal a la superficie plana.

**PRECAUCIÓN**

- Asegúrese de que los niños no se suban al televisor ni se cuelguen de él.

**NOTA**

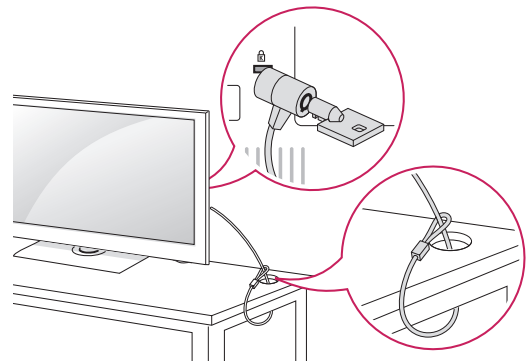
- Utilice una plataforma o un armario que sea lo suficientemente fuerte y grande para sostener el televisor de manera segura.
- Los soportes, los tornillos y los cordones son opcionales. Puede solicitar otros accesorios a través de su distribuidor local.

Usar el sistema de seguridad Kensington (opcional)

(Para 32CS460, 32CS461, 42CS530, 32/37/42CS560, 22/26LS3500, 22/26LS3510)

El conector del sistema de seguridad Kensington se encuentra en la parte posterior del televisor. Para más información sobre cómo instalarlo y usarlo, consulte el manual suministrado con el sistema de seguridad Kensington o visite el sitio web <http://www.kensington.com>.

Conecte el cable del sistema de seguridad Kensington entre el televisor y la mesa.

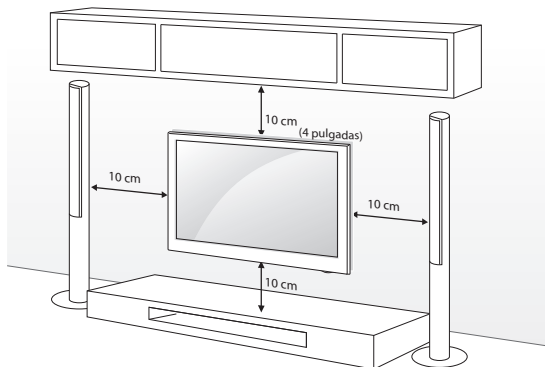
**NOTA**

- El sistema de seguridad Kensington es opcional. Puede solicitar otros accesorios a través de su distribuidor local.

Montar en la pared

Coloque con cuidado un soporte de pared opcional en la parte posterior del televisor e instálelo en una pared sólida, perpendicular al suelo. Para montar el televisor sobre otros materiales de construcción, póngase en contacto con personal técnico calificado.

LG recomienda que un instalador profesional calificado realice el montaje en la pared.



Asegúrese de usar tornillos y soportes de pared que cumplan con el estándar VESA. En la tabla siguiente se detallan las dimensiones de los conjuntos de montaje de pared.

Modelo	22/26LS3500 22/26LS3510	32CS460 32CS461 32CS560 32LS3400 32LS3410 32LS3450 32LS3500 32LS3510
VESA	100 x 100	200 x 100
Tornillo estándar	M4	M4
Cantidad de tornillos	4	4
Soporte de pared (opcional)	LSW100B 	LSW100B

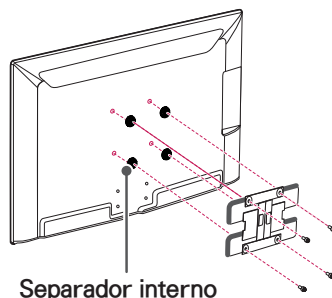
Modelo	42CS530 37/42CS560 42LS3400 42LS3450	47/55LS4500
VESA	200 x 200	400 x 400
Tornillo estándar	M6	M6
Cantidad de tornillos	4	4
Soporte de pared (opcional)	LSW200BX 	LSW400BX
	LSW220BX 	LSW420BX

⚠ PRECAUCIÓN

- Antes de mover o instalar el televisor, desconecte el cable de alimentación. De lo contrario, podría provocar una descarga eléctrica.
- Si instala el televisor en el cielo raso o en una pared inclinada, podría caerse y provocar lesiones graves. Utilice un soporte de pared autorizado por LG y comuníquese con el distribuidor local o con personal técnico calificado.
- No ajuste excesivamente los tornillos, dado que podría dañar el televisor y anular la garantía.
- Utilice tornillos y soportes de pared que cumplan con la norma VESA. La garantía no cubre daños o lesiones provocados por el uso incorrecto del aparato o de accesorios no autorizados.

! NOTA

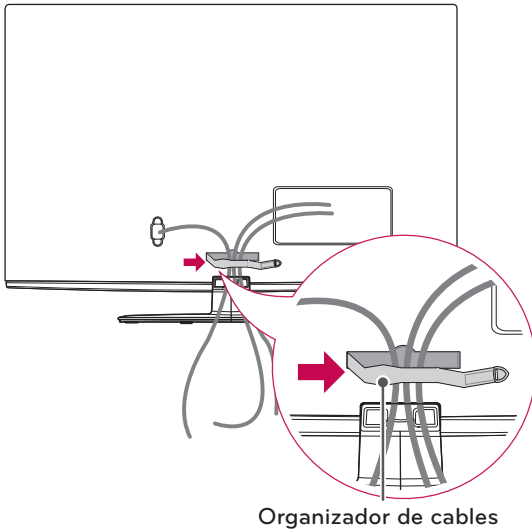
- Utilice los tornillos enumerados en las especificaciones del estándar VESA.
- El conjunto de montaje de pared incluye un manual de instalación y las piezas necesarias.
- El soporte de pared es opcional. Para obtener accesorios adicionales, comuníquese con su distribuidor local.
- La longitud de los tornillos puede variar según el tipo de soporte de pared. Asegúrese de utilizar la longitud adecuada.
- Para obtener más información, consulte el manual suministrado con el montaje de pared.
- Al colocar un Soporte de montaje para la televisión, insertar los separadores interiores en los agujeros de montaje del televisor para moverla en un ángulo vertical. Por favor, asegúrese de no usar los espaciadores para soporte de montaje de pared LG. (Para series LS4500)



Sujetar los cables

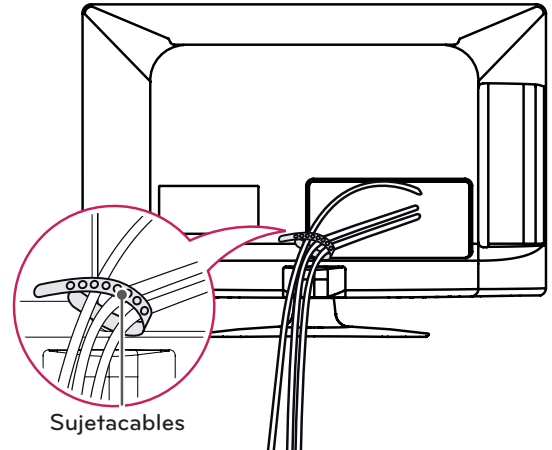
Para series CS460, CS461, CS530, CS560, LS3400, LS3410

- 1 Agrupe y ate los cables con la abrazadera correspondiente.
- 2 Fijar el organizador de cables con firmeza a la TV.



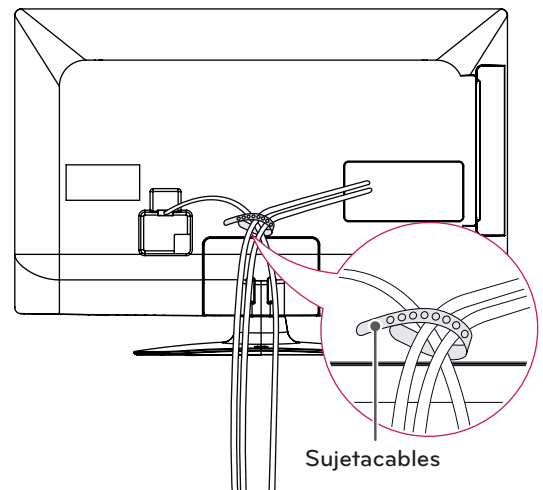
Para 22/26LS3500, 22/26LS3510

- 1 Agrupe y ate los cables con el sujetacables.



Para 32LS3500, 32LS3510, 32/42LS3450, 47/55LS4500

- 1 Agrupe y ate los cables con el sujetacables.



PRECAUCIÓN

- No mueva el televisor sosteniendo el organizador de cables y el sujetacables, debido a que el sujetador del cable se puede romper, y causar daños en el televisor.

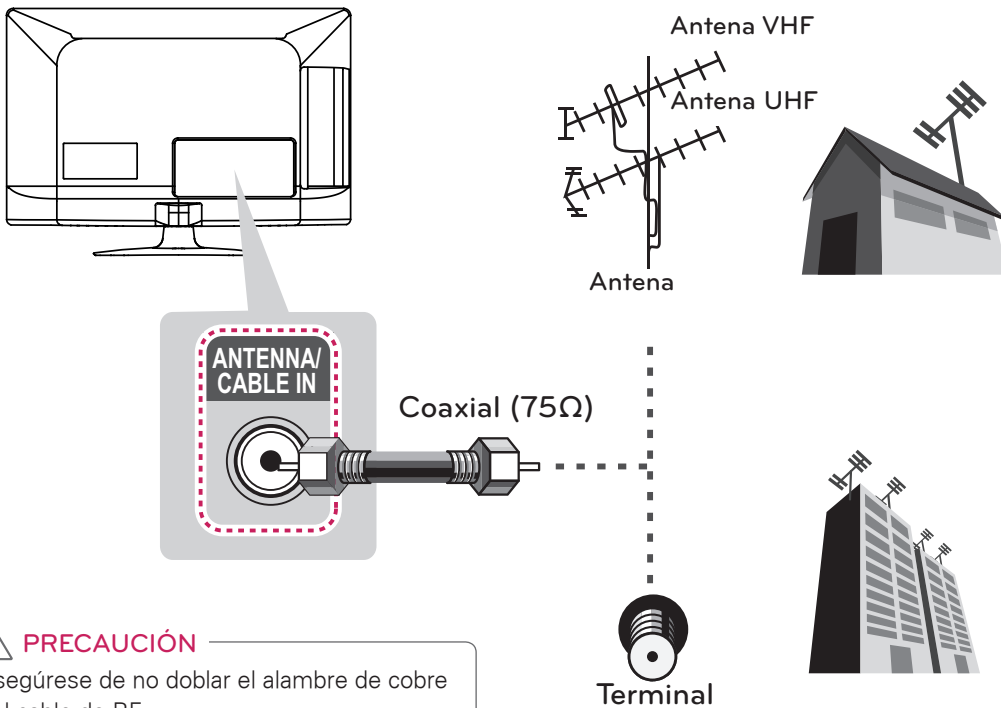
ESTABLECER CONEXIONES

• Esta parte de la sección ESTABLECER CONEXIONES principalmente utiliza imágenes para series LS4500. Conecte varios dispositivos externos al televisor y cambie los modos de entrada para seleccionar un dispositivo externo. Para obtener más información sobre cómo conectar dispositivos externos, consulte sus respectivos manuales. Entre los dispositivos externos disponibles pueden mencionarse los siguientes: receptores de HD, reproductores de DVD, VCR, sistemas de audio, dispositivos de almacenamiento USB, PC, dispositivos de juegos, etc.

! NOTA

- Si graba un programa de TV en una grabadora de DVD o VCR, asegúrese de conectar el cable de entrada de señal al televisor a través de uno de estos dos dispositivos. Para obtener más información acerca de la grabación, consulte el manual proporcionado con el dispositivo conectado.
- La conexión del dispositivo externo puede variar según el modelo.
- Conecte los dispositivos externos al televisor independientemente del orden del puerto del aparato.

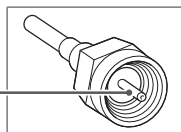
Conexión de una antena o un cable



! PRECAUCIÓN

- Asegúrese de no doblar el alambre de cobre del cable de RF.

Alambre de cobre



- Primero conecte todos los dispositivos entre sí y luego conecte el cable de alimentación al tomacorriente, para que el televisor no resulte dañado.

! NOTA

- Utilice un divisor de señal para más de 2 televisores.
- Visite '<http://lgknowledgebase.com>' para obtener más información sobre la conexión de la antena y el cable. Busque la antena.

Conexión a un receptor de HD, reproductor de DVD o VCR

Conecte un receptor de HD, reproductor de DVD o VCR al televisor y seleccione el modo de entrada apropiado.

Conexión HDMI

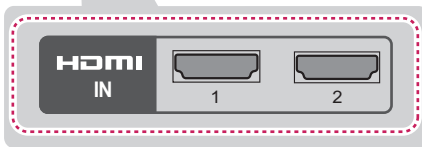
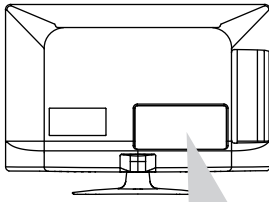
La conexión HDMI es la mejor manera de conectar un dispositivo.

Transmite las señales de audio y video digitales de un dispositivo externo al televisor. Conecte el dispositivo externo y el televisor con el cable HDMI tal como se muestra en la siguiente ilustración.

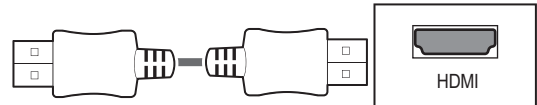
! NOTA

- Utilice el cable HDMI™ de alta velocidad más reciente con la función CEC (control electrónico por parte del cliente).
- Los cables HDMI™ de alta velocidad están probados para transportar señales HD de hasta 1 080 progresivo y superiores.

Escoja cualquier puerto de entrada HDMI para conectar.
No importa qué puerto utilice.



(*No incluido)



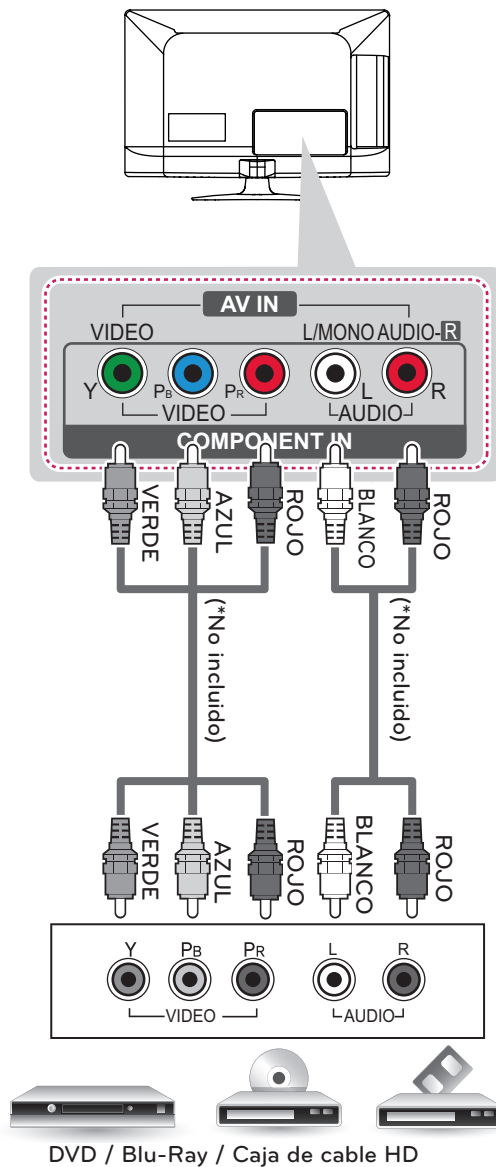
DVD / Blu-Ray / Caja de cable HD / HD STB

Conexión por componente

Transmite las señales de audio y video analógicas de un dispositivo externo al televisor. Conecte el dispositivo externo y el televisor con el cable componente tal como se muestra en la siguiente ilustración.

! NOTA

- Si la instalación de los cables no es la adecuada, podría proyectarse una imagen en blanco y negro o con colores distorsionados. Revise que los cables coincidan con las conexiones de color correspondientes.
- **Revise y compruebe que cada cable coincida con las conexiones de color correspondientes.**

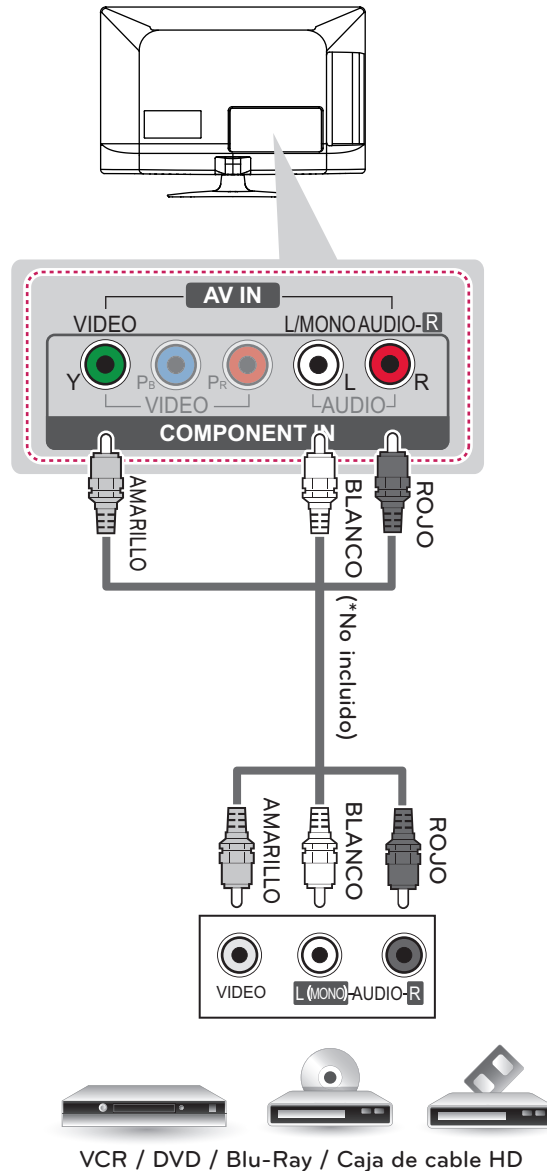


Conexión compuesta

Transmite las señales de audio y video analógicas de un dispositivo externo al televisor. Conecte el dispositivo externo y el televisor con el cable compuesto tal como se muestra en la siguiente ilustración.

! NOTA

- Si posee una VCR monofónica, conecte el cable de audio de la VCR a la toma AUDIO L/MONO del televisor.



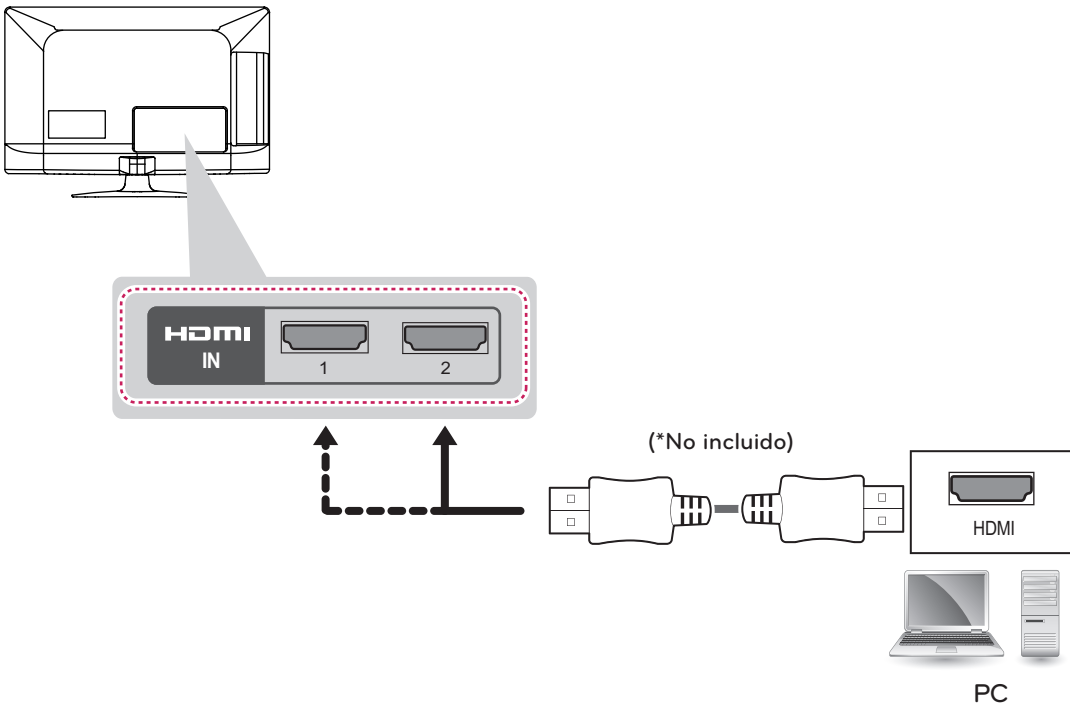
Conexión a un dispositivo PC

! NOTA

- Se recomienda utilizar el televisor con la conexión HDMI para obtener una calidad de imagen óptima.
- Según la tarjeta gráfica, es posible que no funcione el modo DOS cuando se utiliza un cable HDMI a DVI.
- En el modo PC, es posible que exista ruido asociado con la resolución, patrones verticales, contraste o brillo. Si se producen ruidos, cambie la resolución de la salida de la PC, cambie la frecuencia de actualización o ajuste el brillo y el contraste en el menú IMAGEN hasta que la imagen mejore.
- La forma de onda de la entrada de sincronización para las frecuencias horizontales y verticales es diferente.
- Según la tarjeta gráfica, es posible que algunos ajustes de resolución no permitan que la imagen se ubique en la pantalla de forma correcta.

Conexión HDMI

Escoja cualquier puerto de entrada HDMI para conectar.
No importa qué puerto utilice.



Conexión a un sistema de audio

(Para LS4500)

Utilice un sistema de audio externo opcional en lugar del parlante incorporado.

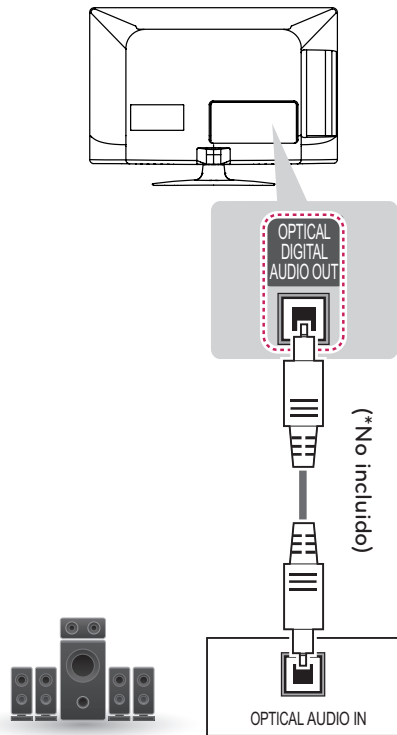


NOTA

- Si utiliza un dispositivo de audio externo opcional en lugar del parlante incorporado, apague los parlantes del televisor.

Conexión de audio óptica digital

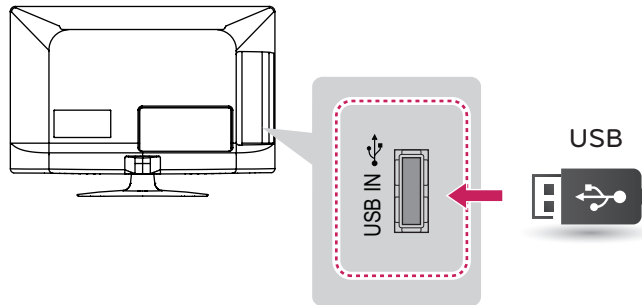
Transmite señales de audio digital del televisor a un dispositivo externo. Conecte el dispositivo externo y el televisor con el cable de audio óptico tal como se muestra en la siguiente ilustración.



Sistema de audio digital

Conexión a un dispositivo USB

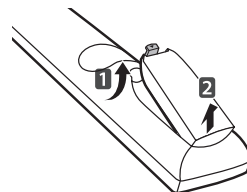
Conecte un dispositivo de almacenamiento USB como una memoria USB Flash, un disco duro externo o un lector de tarjetas de memoria USB al televisor.



CONTROL REMOTO

Las descripciones que figuran en este manual se basan en los botones del control remoto. Lea atentamente este manual y siga las instrucciones de uso.

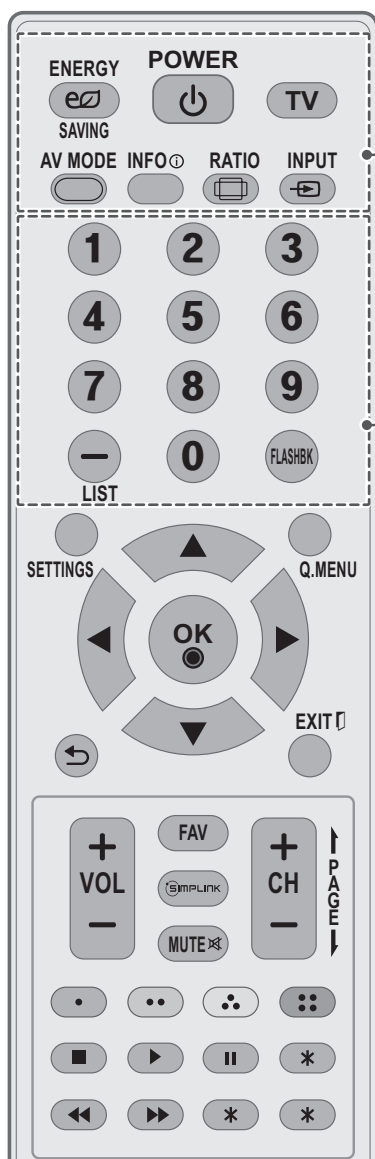
Para reemplazar las baterías, abra la cubierta de la batería, coloque otras (AAA de 1,5 Vcc) y haga coincidir la polaridad \oplus y \ominus en el compartimiento, luego cierre la tapa. Asegúrese de apuntar con control remoto al sensor de control remoto en el televisor.



PRECAUCIÓN

- No coloque baterías nuevas junto con las usadas, esto puede dañar el control remoto.

Asegúrese de que el control remoto apunte hacia el sensor correspondiente del televisor.



POWER

Enciende o apaga el televisor.

ENERGY SAVING

Ajusta el brillo de la pantalla para reducir el consumo de energía.

TV

Regresa al último canal de televisión.

AV MODE

Selecciona un modo de audio y video.

INFO

Muestra información de la pantalla y el programa actual.

RATIO

Cambia el tamaño de una imagen.

INPUT

Permite alternar las entradas.

También enciende el televisor desde el modo de espera.

Botones Numerales

Permiten introducir números.

LIST

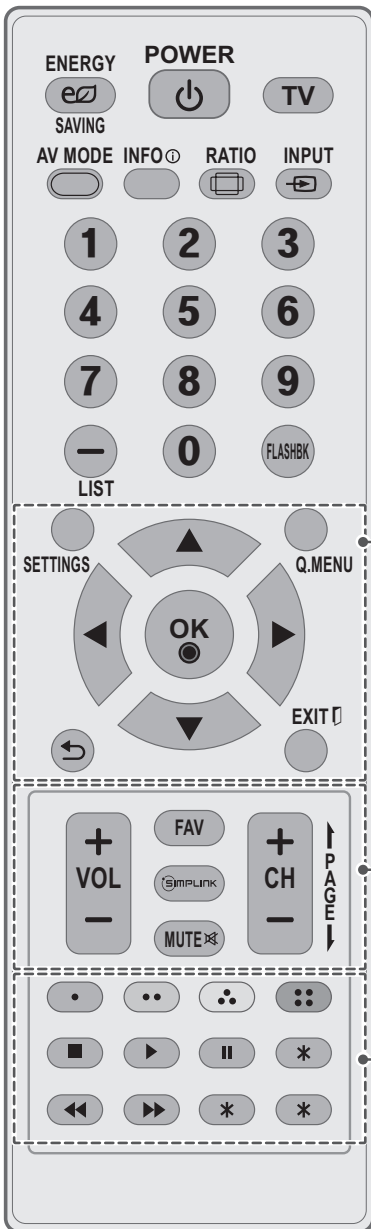
Permite acceder a la lista de canales guardados.

- (guión)

Inserta un guión entre los números, por ejemplo 2-1 y 2-2.

FLASHBK

Permite alternar entre los dos últimos canales seleccionados (al presionarlo repetidamente).

**SETTINGS**

Permite acceder a los principales menús.

Q.MENU

Acceso al menú rápido.

Botones de navegación

(hacia arriba/hacia abajo/hacia la derecha/hacia la izquierda)
Permiten desplazarse por los menús o las opciones.

OK

Permite seleccionar menús u opciones y confirmar lo ingresado.

↶ (VOLVER)

Permite volver al nivel anterior.

EXIT

Borra todo lo que muestra la pantalla y se regresa a aver la televisión.

+VOL-

Ajusta el nivel del volumen.

FAV

Permite acceder a la lista de canales favoritos.

SIMPLINK

Permite acceder a los dispositivos AV conectados al televisor.
O bien, abre el menú SIMPLINK.

MUTE

Silencia todos los sonidos.

+CH-

Permite desplazarse por los canales guardados.

↑PAGE↓

Permite ir a la pantalla anterior o siguiente.

Botones de color

Estos accesos de funciones especiales son en algunos menús.

Botones de control

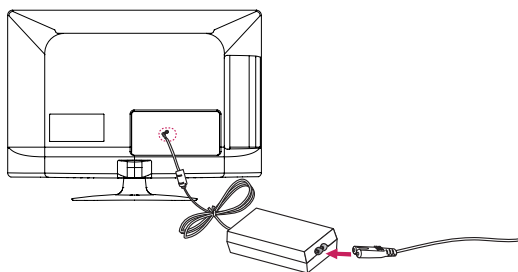
Permiten controlar los dispositivos compatibles con SIMPLINK
(USB, SIMPLINK).

Sin función

MIRAR TV

Conectar al adaptador de CA/CC

(Para 22/26LS3500, 22/26LS3510)



- 1 Conecte el enchufe del adaptador de CA/CC a la toma de entrada de alimentación del televisor.
- 2 Primero conecte el cable de alimentación al adaptador de CA/CC y, a continuación, enchufe el cable de alimentación al tomacorriente de la pared.

⚠ PRECAUCIÓN

- Asegúrese de conectar el televisor al adaptador de CA/CC antes de conectar el enchufe de la alimentación del televisor a un tomacorriente de la pared.

Encender el televisor por primera vez

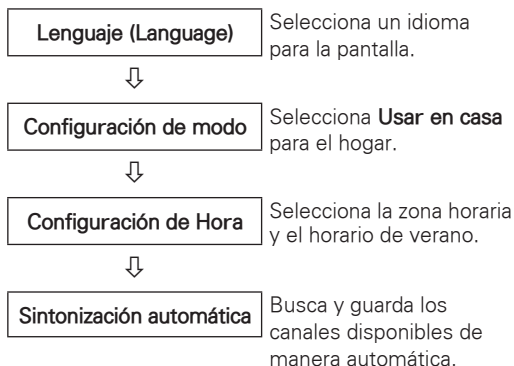
Al encender el televisor por primera vez, aparece la pantalla de configuración inicial. Seleccione un idioma y personalice la configuración básica.

- 1 Conecte el cable de alimentación a un tomacorriente. El indicador de encendido se vuelve rojo y el televisor pasa al modo de espera.
- 2 En modo de espera, presione el botón de encendido/apagado en el control remoto para encender el televisor. Si es la primera vez que enciende el televisor, aparecerá la pantalla de configuración inicial.

⚠ NOTA

- Para acceder a **Configuración inicial**, vaya a **OPCIÓN** en el menú principal.

- 3 Siga las instrucciones en pantalla para personalizar la configuración del televisor según sus preferencias.



⚠ NOTA

- Para ver las imágenes con la mejor calidad dentro de su hogar, seleccione **Usar en casa**.
- **Demo de tienda** es la opción adecuada para las tiendas minoristas.
- Si selecciona **Demo de tienda**, la configuración personalizada vuelve a la configuración predeterminada de **Demo de tienda** en 5 minutos.

- 4 Una vez finalizada la configuración básica, presione **OK**.

⚠ NOTA

- Si no completa la configuración inicial, aparecerá cada vez que encienda el televisor.
- Desconecte el cable de alimentación del tomacorriente cuando no use el televisor durante periodos prolongados.

- 5 Para apagar el televisor, presione el botón de encendido/apagado en el control remoto.

SOLUCIÓN DE PROBLEMAS

Problema	Solución
No se puede controlar el televisor con el control remoto.	<ul style="list-style-type: none"> • Compruebe el sensor del control remoto en el producto e inténtelo de nuevo. • Compruebe que no haya ningún obstáculo entre el producto y el control remoto. • Compruebe que las baterías sigan funcionando y estén instaladas como corresponde (⊕ con ⊕, ⊖ con ⊖).
No se muestra ninguna imagen ni se emite sonido.	<ul style="list-style-type: none"> • Compruebe si el producto está encendido. • Compruebe si el cable de alimentación está conectado a la toma de la pared. • Conecte otros productos para comprobar si hay un problema con la toma de la pared.
El televisor se apaga de repente.	<ul style="list-style-type: none"> • Compruebe la configuración del control de energía. Es posible que el suministro eléctrico se interrumpa. • Compruebe si la función de apagado automático no está activada en la configuración de hora. Consulte "Temporizador". • Si no hay señal mientras el televisor está encendido, este se apagará automáticamente después de 15 minutos de inactividad.

AVISO SOBRE SOFTWARE DE CÓDIGO ABIERTO

Para obtener el código fuente de GPL, LGPL, MPL y otras licencias de fuente abierta, que se incluyen en este producto, visite '<http://opensource.lge.com>'.

Además del código fuente, se pueden descargar todos los términos de licencia, las exenciones de garantías y los derechos de autor mencionados.

Además, LG Electronics le proporcionará el código fuente abierto en CD-ROM por un valor que cubre el coste de realizar dicha distribución (como el coste de los medios, el envío y la manipulación) previa solicitud vía correo electrónico a opensource@lge.com. Esta oferta es válida por tres (3) años a partir de la fecha en que compre el producto.

ESPECIFICACIONES

Las especificaciones del producto pueden cambiar sin previo aviso debido a las actualizaciones de las funciones de los productos.

Sistema de televisión		NTSC-M, ATSC, 64 y 256 QAM
Cobertura de programas		VHF 2-13, UHF 14-69, CATV 1-135, DTV 2-69, CADTV 1-135
Impedancia de antena externa		75 Ω
Estado de ambiente	Temperatura de funcionamiento	0 a 40 °C
	Humedad de funcionamiento	Menos de 80%
	Temperatura de almacenamiento	-20 a 60 °C
	Humedad de almacenamiento	Menos de 85%

MODELOS		32CS460 (32CS460-UC)
		32CS461 (32CS461-UA)
Dimensiones (Ancho x altura x profundidad)	Con pie	794,0 x 565,0 x 207,0 mm (31,2 x 22,2 x 8,1 pulg.)
	Sin pie	794,0 x 504,0 x 73,5 mm (31,2 x 19,8 x 2,8 pulg.)
Peso	Con pie	9,0 kg (19,8 libras)
	Sin pie	8,0 kg (17,6 libras)
Corriente de consumo / Consumo de la potencia		1,1 A / 110 W
Potencia requerida		AC100 - 240 V ~ 50/60 Hz

MODELOS		42CS530 (42CS530-UB)	32CS560 (32CS560-UE)
		Dimensiones (Ancho x altura x profundidad)	Con pie
Sin pie	1019,0 x 631,0 x 76,5 mm (40,1 x 24,8 x 3,0 pulg.)		795,0 x 504,0 x 73,5 mm (31,2 x 19,8 x 2,8 pulg.)
Peso	Con pie	15,1 kg (33,2 libras)	9,2 kg (20,2 libras)
	Sin pie	13,4 kg (29,5 libras)	8,1 kg (17,8 libras)
Corriente de consumo / Consumo de la potencia		1,7 A / 170 W	1,2 A / 120 W
Potencia requerida		AC100 - 240 V ~ 50/60 Hz	AC100 - 240 V ~ 50/60 Hz

MODELOS		37CS560 (37CS560-UE)	42CS560 (42CS560-UE)
		Dimensiones (Ancho x altura x profundidad)	Con pie
Sin pie	913,0 x 571,0 x 77,4 mm (35,9 x 22,4 x 3,0 pulg.)		1 019,0 x 631,0 x 76,5 mm (40,1 x 24,8 x 3,0 pulg.)
Peso	Con pie	12,8 kg (28,2 libras)	15,1 kg (33,2 libras)
	Sin pie	11,1 kg (24,4 libras)	13,4 kg (29,5 libras)
Corriente de consumo / Consumo de la potencia		1,6 A / 160 W	1,7 A / 170 W
Potencia requerida		AC100 - 240 V ~ 50/60 Hz	AC100 - 240 V ~ 50/60 Hz

MODELOS		32LS3400 (32LS3400-UA)	42LS3400 (42LS3400-UA)
		32LS3410 (32LS3410-UB)	
Dimensiones (Ancho x altura x profundidad)	Con pie	795,0 x 566,0 x 207,0 mm (31,2 x 22,2 x 8,1 pulg.)	1 018,0 x 696,0 x 261,0 mm (40,0 x 27,4 x 10,2 pulg.)
	Sin pie	795,0 x 504,0 x 73,5 mm (31,2 x 19,8 x 2,8 pulg.)	1 018,0 x 629,0 x 76,5 mm (40,0 x 24,7 x 3,0 pulg.)
Peso	Con pie	9,1 kg (20,0 libras)	14,7 kg (32,4 libras)
	Sin pie	8,1 kg (17,8 libras)	13,1 kg (28,8 libras)
Corriente de consumo / Consumo de la potencia		1,0 A / 70 W	1,2 A / 120 W
Potencia requerida		AC100 - 240 V ~ 50/60 Hz	AC100 - 240 V ~ 50/60 Hz

MODELOS		32LS3450 (32LS3450-UA)	42LS3450 (42LS3450-UA)
Dimensiones (Ancho x altura x profundidad)	Con pie	738,0 x 501,0 x 185,0 mm (29,0 x 19,7 x 7,3 pulg.)	972,0 x 635,0 x 212,0 mm (38,2 x 25,0 x 8,3 pulg.)
	Sin pie	738,0 x 438,0 x 86,0 mm (29,0 x 17,2 x 3,4 pulg.)	972,0 x 571,0 x 86,0 mm (38,2 x 22,4 x 3,4 pulg.)
Peso	Con pie	7,5 kg (16,5 libras)	11,8 kg (26,0 libras)
	Sin pie	6,9 kg (15,2 libras)	10,7 kg (23,5 libras)
Corriente de consumo / Consumo de la potencia		0,9 A / 60 W	1,3 A / 90 W
Potencia requerida		AC100 - 240 V ~ 50/60 Hz	AC100 - 240 V ~ 50/60 Hz

MODELOS		22LS3500 (22LS3500-UD)	26LS3500 (26LS3500-UD)
		22LS3510 (22LS3510-UA)	26LS3510 (26LS3510-UA)
Dimensiones (Ancho x altura x profundidad)	Con pie	523,0 x 376,0 x 140,0 mm (20,5 x 14,8 x 5,4 pulg.)	627,0 x 442,0 x 162,0 mm (24,6 x 17,4 x 6,3 pulg.)
	Sin pie	523,0 x 339,0 x 31,6 mm (20,5 x 13,3 x 1,2 pulg.)	627,0 x 402,0 x 30,1 mm (24,6 x 15,8 x 1,1 pulg.)
Peso	Con pie	3,5 kg (7,7 libras)	4,5 kg (9,9 libras)
	Sin pie	3,2 kg (7,0 libras)	4,2 kg (9,2 libras)
Potencia requerida		24 V=, 1,4 A	24 V=, 1,8 A
Adaptador (alimentación AC/DC)		Entrada: AC 100 - 240 V ~ 50/60 Hz	
		Salida: DC 24 V, 2,7 A o 2,71 A	

MODELOS		32LS3500 (32LS3500-UD)
		32LS3510 (32LS3510-UA)
Dimensiones (Ancho x altura x profundidad)	Con pie	755,0 x 530,0 x 239,0 mm (29,7 x 20,8 x 9,4 pulg.)
	Sin pie	755,0 x 479,0 x 45,8 mm (29,7 x 18,8 x 1,8 pulg.)
Peso	Con pie	8,5 kg (18,7 libras)
	Sin pie	7,7 kg (16,9 libras)
Corriente de consumo / Consumo de la potencia		0,6 A / 60 W
Potencia requerida		AC100 - 240 V ~ 50/60 Hz

MODELOS		47LS4500 (47LS4500-UD)	55LS4500 (55LS4500-UD)
Dimensiones (Ancho x altura x profundidad)	Con pie	1 089,0 x 730,0 x 270,0 mm (42,8 x 28,3 x 10,5 pulg.)	1 263,0 x 833,0 x 330,0 mm (49,7 x 32,8 x 12,9 pulg.)
	Sin pie	1 089,0 x 655,0 x 35,5 mm (29,0 x 17,2 x 3,4 pulg.)	1 263,0 x 754,0 x 35,5 mm (49,7 x 29,6 x 1,3 pulg.)
Peso	Con pie	17,0 kg (37,5 libras)	25,2 kg (55,2 libras)
	Sin pie	14,9 kg (32,8 libras)	21,9 kg (48,2 libras)
Corriente de consumo / Consumo de la potencia		1,2 A / 120 W	1,5 A / 150 W
Potencia requerida		AC100 - 240 V ~ 50/60 Hz	AC100 - 240 V ~ 50/60 Hz

Modo HDMI (DTV) admitido

Resolución	Frecuencia horizontal (KHz)	Frecuencia vertical (Hz)
720x480 progresivo	31,47 31,50	59,94 60,00
1280x720 progresivo	44,96 45,00	59,94 60,00
1920x1080 entrelazado	33,72 33,75	59,94 60,00
1920x1080 progresivo	26,97	23,976
	27,00	24,00
	33,71	29,97
	33,75	30,00
	67,432 67,50	59,94 60,00

Información de conexión de puerto componente

Puertos componente del televisor	Y	P _B	P _R
	Y	P _B	P _R

Puertos de salida de video del reproductor de DVD	Y	P _B	P _R
	Y	B-Y	R-Y
	Y	Cb	Cr
	Y	Pb	Pr

Modo de componente admitido

Resolución	Frecuencia horizontal (KHz)	Frecuencia vertical (Hz)
720x480 entrelazado	15,73 15,73	59,94 60,00
720x480 progresivo	31,47 31,50	59,94 60,00
1280x720 progresivo	44,96 45,00	59,94 60,00
1920x1080 entrelazado	33,72 33,75	59,94 60,00
1920x1080 progresivo	26,97	23,976
	27,00	24,00
	33,71	29,97
	33,75	30,00
	67,432 67,50	59,94 60,00



Los números de modelo y de serie del televisor se encuentran ubicados en la parte posterior del aparato.

Regístrelos en el siguiente espacio por si alguna vez necesita recurrir al servicio técnico.

MODELO _____

SERIE _____

En el manual de usuario podras encontrar informacion mas extensa sobre las características avanzadas de este televisor LG en el contenido del CD-ROM (se provee en version electronica). Para leer estos archivos, usted tendrá que usar una computadora personal (PC) equipado con una unidad de CD-ROM.

(Para series LS3400, LS3410, LS3450, LS3500, LS4500
EUA, Canadá, México)



Este producto reúne los requisitos ENERGY STAR en el ajuste "Usar en Casa". Cambiar los ajustes de imagen predeterminados de fábrica o activar otras funciones, incrementará el consumo de energía, pudiendo exceder los límites de las condiciones impuestas por la clasificación Energy Star.