



LG

Life's Good

OWNER'S MANUAL

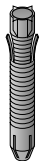
Tilt Wall Mounting Bracket

Please read this manual carefully before installing this product and retain it for future reference.

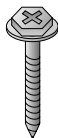
LSW630B



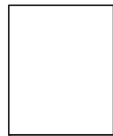
Component



Wall mount anchor
8 units



Wall mount screw
10 units



User manual



Guide spacer
4 units



Guide space screw
4 units



Set protection cushion
4 units



IMPORTANT SAFETY INSTRUCTIONS

Read these instructions.
Keep these instructions.
Heed all warnings.
Follow all instructions.



Warning

This wall mount should be installed by a trained and experienced installer designated by the retailer. Having the product installed by a non-specialized installer is very dangerous and can cause damage or injury.

Use a trained and experienced installer to move or replace the wall mount, if needed. Installation requires special techniques and moving or installing the product on your own can cause serious safety issues.

When installing the wall mount, never hang the power or signal cable on the rear side the TV. The cord can be damaged and cause a fire, an electric shock or damage to the product.

Do not install the product where the weight cannot be supported. If the strength of the location where the wall mount is installed is not strong enough, it can fall off and cause an injury.

After installing the wall mount, do not hang on the product or allow a severe impact to the product. The product can fall off and cause injury.



Caution

Install the product according to the directions in the user manual.

If the product is not installed based on the directions in the user manual, it can cause a serious injury or damage to the product.

During the installation, check the type of wall material and use the sealed anchor and screw if the conditions comply.

If you do not use the designated anchor or screw, the mount may not be able to withstand the weight of the product and cause a safety issue.

Do not wipe the product with a wet towel and do not use any heater or humidifier below where the product is installed.

If water flows into the product or if moisture and heat are applied to the product, it can cause a fire, an electric shock or problem to the product.

Unplug the power cord from the power outlet before installing the product.

If you install the product with the power cord plugged, it can cause an electric shock or a fire.

Do not allow the video connectors connected to the display to press against the wall. Use the included right-angle adapters if needed.

Only use attachments/accessories specified by the manufacturer.

When installing the product or adjusting the height of the product after installing, always do so with 2 people.

Working alone can cause the product to fall off and result in injury or damage to the product.

When drilling holes in the wall, always use a drill bit and drill of designated diameter. Also follow the designated directions for the depth of the hole. If the product is installed without following the designated method, the product may be unstable and cause a safety issue.

Do not install the product near any object that may cause vibration.

Do not install the product near any high voltage power cable or power source.

Do not install the product with bare hands. Always wear proper work gloves.

It can cause an injury.



Before installation

- * Do not use the product for purposes other than mounting a display on the wall.
- * When installing/using the wall mount, be cautious of product damage and avoid accidents.
- * If you have not fully read and understood the installation manual, do not install the product and contact the dealer to have a specialized installer install the product for you.
- * Even if you are not a specialized installer, it is advantageous to have experience in mechanical or construction field in completely understanding this manual and installing the product.
- * This product is designed to be mounted to walls that use standard intervals between the studs.
- * Install the screw to attach the wall mount so that it can be assembled at the center from both ends of the studs. Use of stud finder, a separate device, is recommended.
- * Install the product only on a vertical wall.
The manufacturer is not responsible for issue from installing the product on severely wall or on the ceiling.
- * Keep the included accessories out of reach of babies or children as it can cause safety issues including suffocation from swallowing the parts.
- * Make sure screws are tight against the wall, but do not overtighten.
- * Be careful not to install a TV that exceeds the weight restrictions of the wall mount.
- * Be careful with the tools used during installation to prevent accidents or damage.

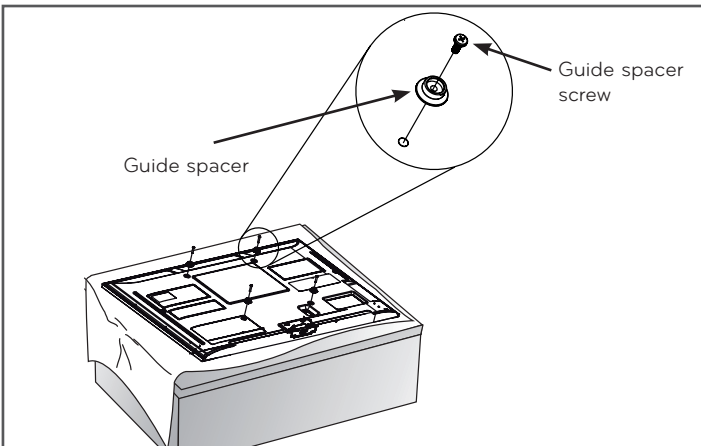


Installation method

- Tools you will need : Phillips head "+" driver (Manual or motorized) Ø4 mm drill bit for wood or steel / Level / Stud finder / Drill. You may also need an 8 mm socket wrench or an 8 mm drill bit for concrete.
- The actual product may differ from the illustrations in this manual.
- If the diagonal length of TV screen is 182 cm or more, please consult with a professional installer prior to installing the TV with a wall mounting bracket.

1 Attaching the mounting bracket to the TV

- If the screw will not fully tighten when using a guide spacer, recheck the assembly depth of the screw and refer to the technical service manual.



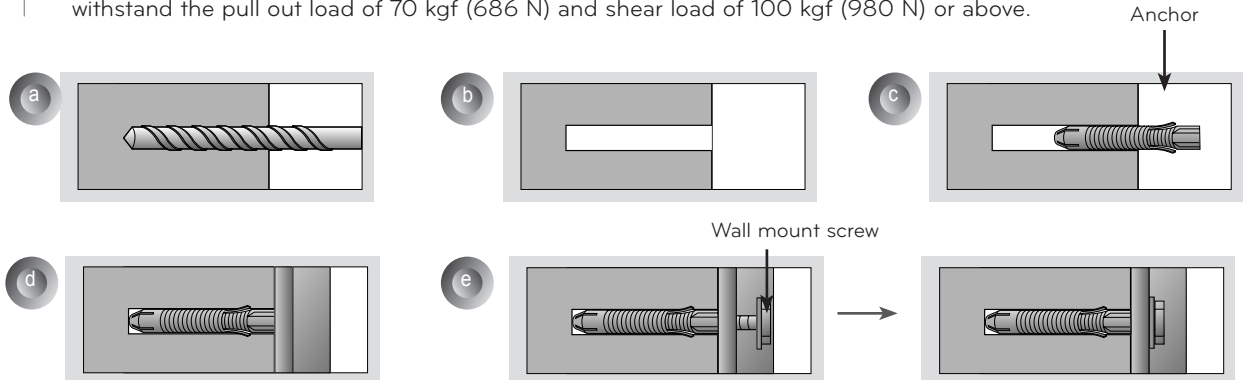
<Work procedure>

1. Check to see if the display has screws installed into the mounting holes. If so, remove those.
2. Assemble the guide spacers to the set by tightening the screws as shown in the picture. Use a Phillips head "+" driver (Manual or motorized) to tighten the screws. Tighten each screw until the set, guide spacer, and the screw are fully pressing against one another.

2 How to attach to masonry walls

Please follow the directions below.

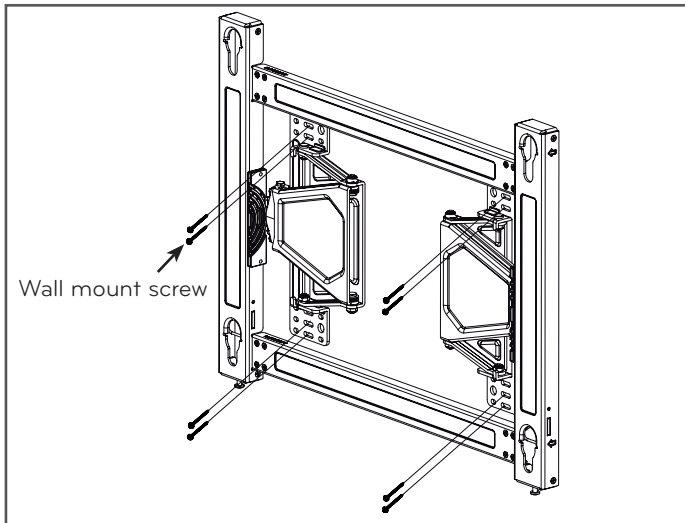
- Check the material and thickness of the wall.
- When installing the product on wall material not designated, install the product so that each screw location can withstand the pull out load of 70 kgf (686 N) and shear load of 100 kgf (980 N) or above.



- Use an Ø8 mm drill bit for concrete and hammer (Impact) drill.
- a. Use an Ø8 mm drill bit to drill a hole for the anchor location within a depth of 80 mm - 100 mm
- b. Clean the drilled hole.
- c. Insert the sealed anchor to the hole. (When inserting the anchor, use a hammer.)
- d. Set the wall mount on the wall by aligning to the location of the hole. and, set the angle adjusting part to face upward.
- e. Align the wall mount bolt to the hole and tighten it. Then, fasten the bolts at torque of 45 kgf/cm - 60 kgf/cm.

3 How to install the wall mount

<When installing on a masonry wall>

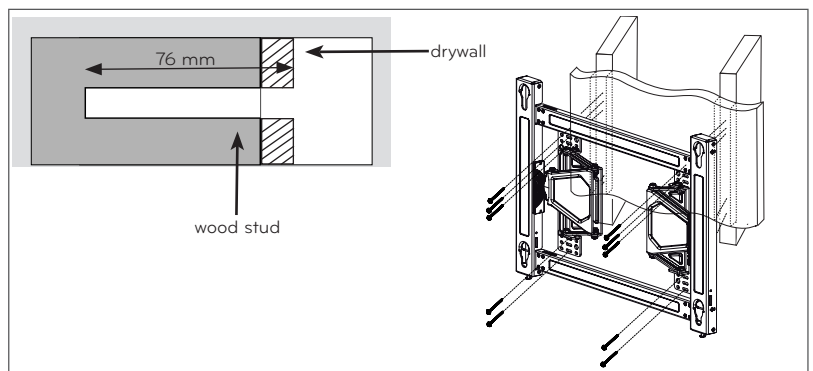
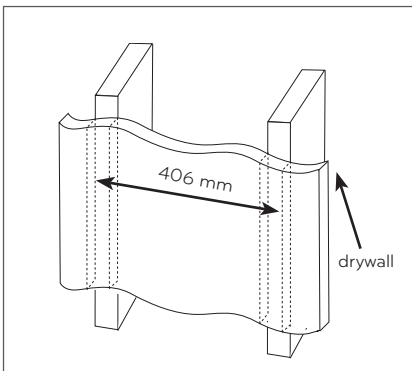


→ If it's not possible to use the indicated bolt holes, use the closest ones. Don't go more than two away from the indicated position.

→ Attach the right and left side with two bolts each.

→ Use a Phillips head "+" driver (Manual or motorized) or 8 mm wrench to tighten the screws. Tighten each screw until the set, guide spacer, and the screw are fully pressing against one another.

<When mounting to wooden studs>

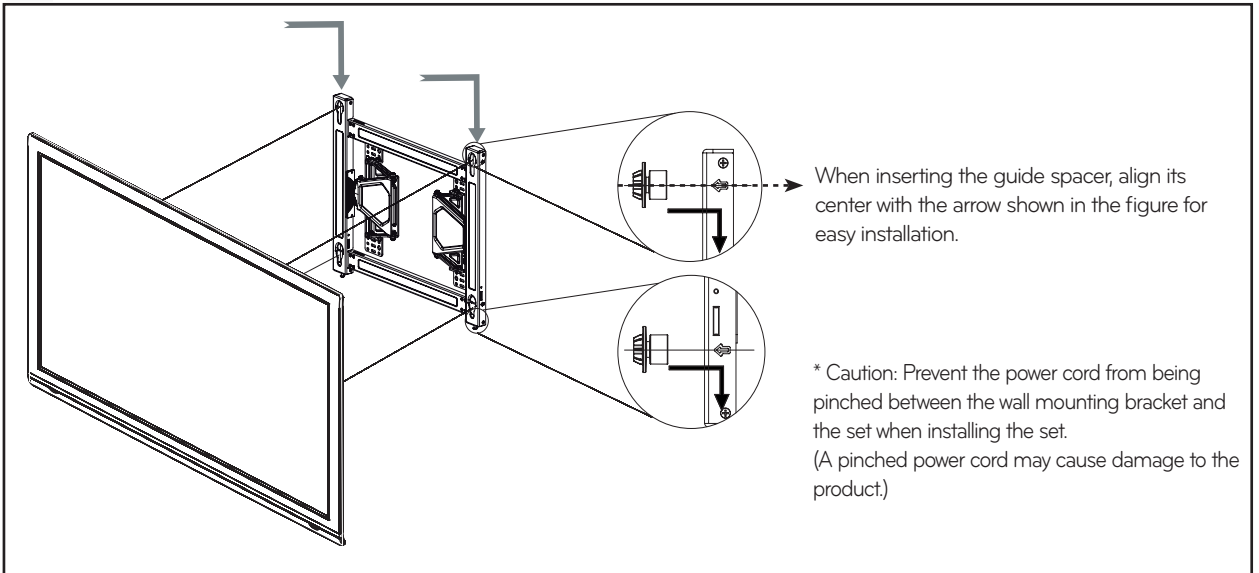


- Locate and mark the centers of the wall studs using a stud finder.
- After aligning the wall bracket on the wall where the center of the wood stud is marked, mark the location of the screws and then remove the wall bracket.
- Use a level to make sure your screw marks are level.
- Use the $\varnothing 4$ mm drill bit for wood to drill holes with the depth of 76 mm or above where the wall mount screw location is marked on the wall.
- Clean the drilled hole.
- Tighten the wall mount screws for the wall bracket on the drilled hole.
 - At this time, tighten the screw so that the wall, wall bracket and the wall mount screw are pressed against one another. (Drywall can be damaged when tightened with excessive force, please be careful.)
 - When tightening the screw use the "+" driver (Manual or motorized) or 8 mm wrench.

4

Connecting the Bracket to the TV

– Always have 2 or more people hold the product for installation.



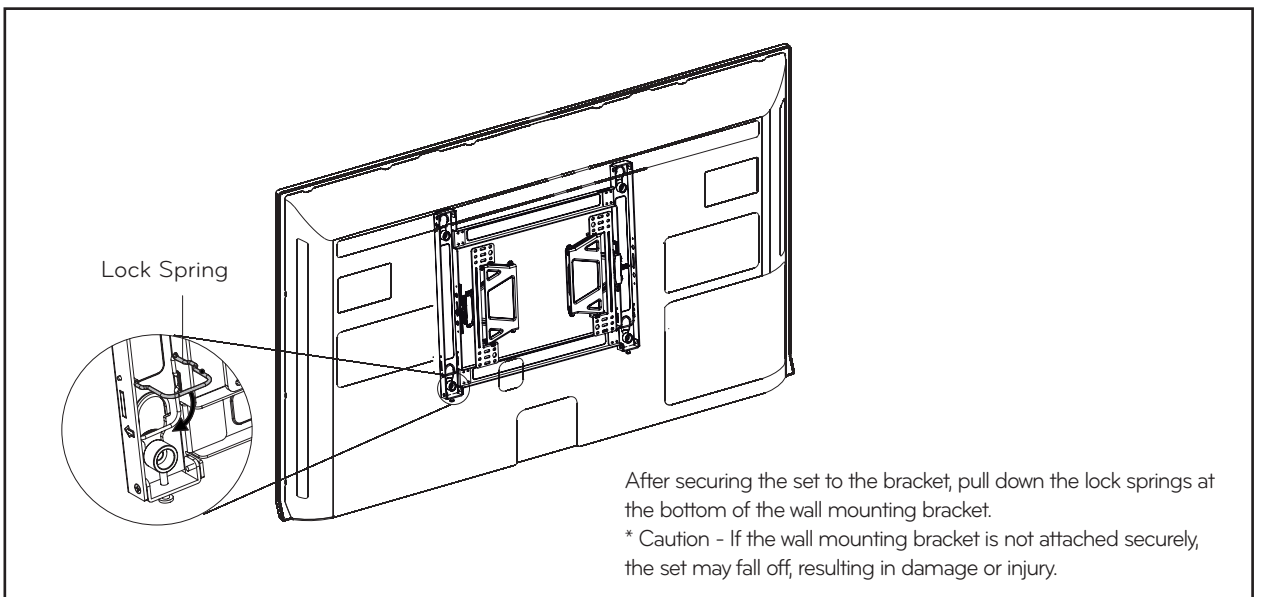
1. After attaching the guide spacers to the set, hang it on the wall mounting bracket in the direction of the arrows. Attach the lower part first, then attach the upper part by slightly lifting up the set.

When installing a Cinema Screen (borderless screen) set to the wall mount, please refer to the "Installation method" section of the owner's manual. It requires screen protectors when lifting or moving the set.

- Make sure that the product is attached securely by pulling on the bottom of the set.
- When mounting the product that has a speaker, hold and lift up the product, not the speaker.

5

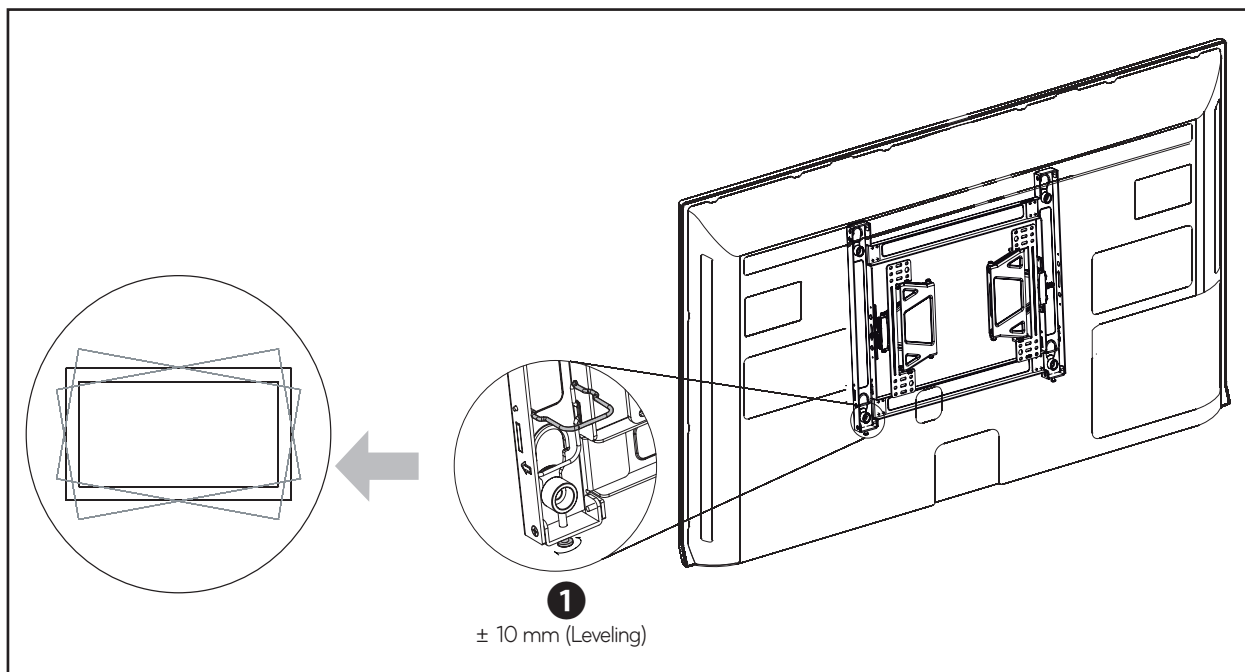
Setting the Lock Springs



6

Horizontal Level Adjustment

- If the product leans to one side, adjust the tilt with bolt. (The product tilt is changed according to bolt's rotation direction.)

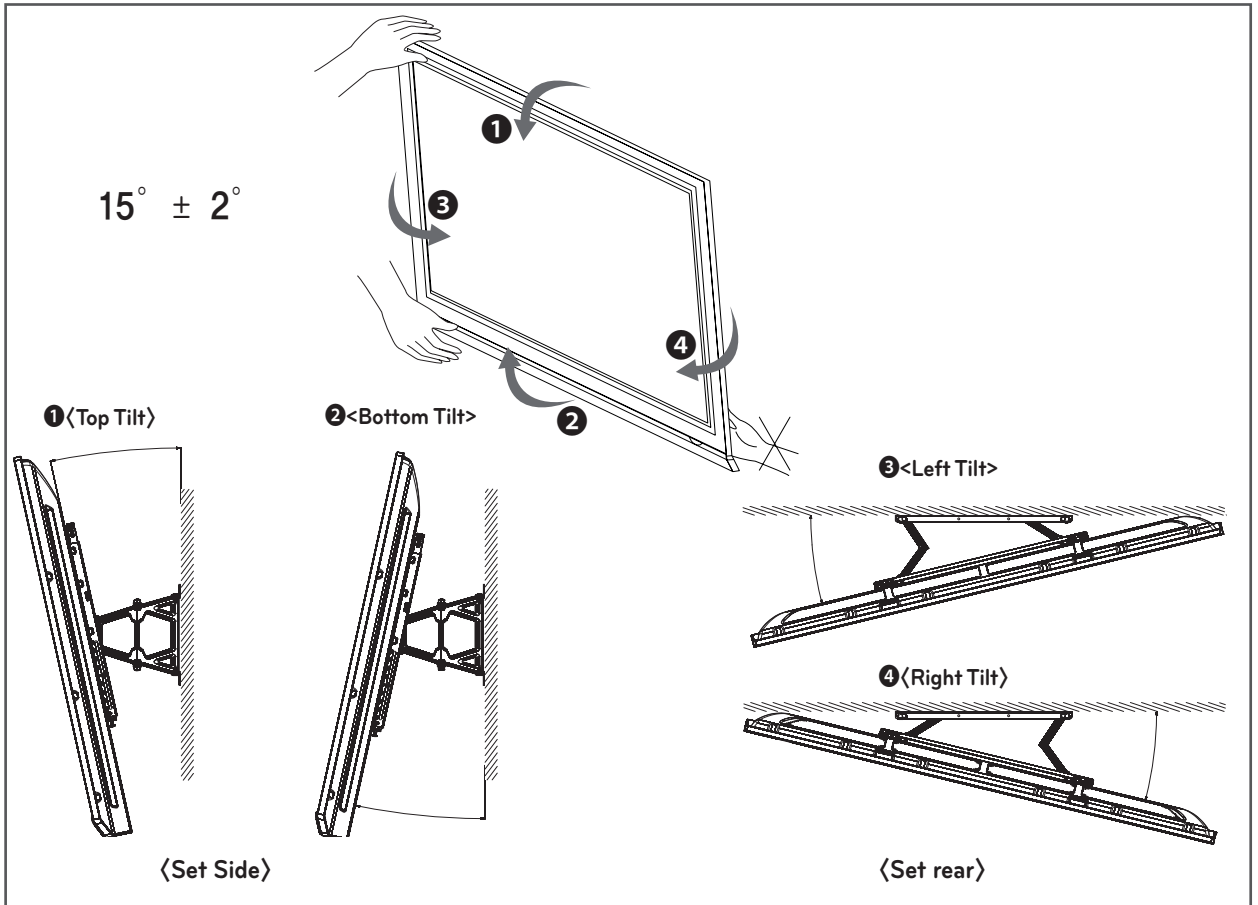


Please follow the instructions.

Cinema Screen models (LM64**, LM66**, LM67**, LM76**, LM86**, LA66**, LA69**, LA74**, LA79**, LA86**) are easily damaged by external shock, so please handle the product with care. Do not touch the screen when lifting the TV. For more information, please refer to the owner's manual of the TV.

7 Tilt Angle Adjustment

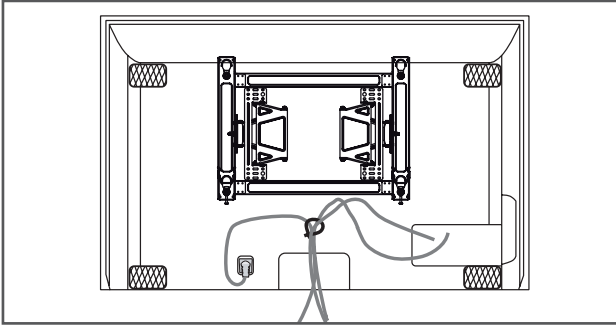
- The tilt angle can be adjusted after installation and setup.
- When you adjust the angle, hold the product carefully with both hands to avoid any damage to the product or wall.



- Some models may not tilt as much as show above.
- Use both hands when adjusting the angles. Do not place the hands on the TV's back side or the wall mount while adjusting. It could cause injury.
- When adjusting the 1 2 3 4 angle, use both hands and adjust the set slowly.

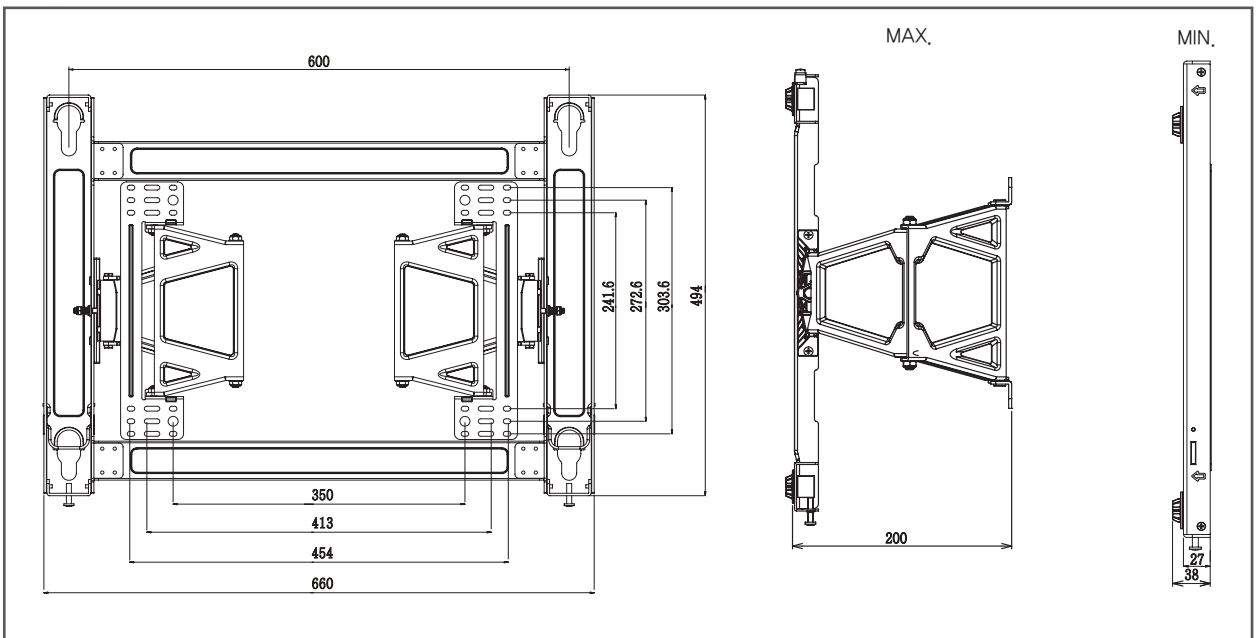
8 Cable and Protective Cushion Arrangement

- Arrange the cables as shown in the picture. Use some type of cable banding device to hold all the cables together.
- Attach the set protection cushions to mitigate any impact between the wall and the set. Attach the set protection cushions as shown in the picture.



Product specification

[Unit : mm]



Model	LSW630B
Width (mm)	660
Height (mm)	494
Depth (mm)	27
Weight(kg)	7.9
Weight with packing (kg)	9.1
Wall Mount VESA Specification	600X400
Max.UL Load Capacity (kg)	75



The model and serial number of the product is located on the back or one side of the product. Record it below should you ever need service.

Supported Displays

(Please contact the retailers or refer to the TV owner's manual for applicable models.)

MODEL _____

SERIAL _____