



OWNER'S MANUAL LED LCD TV / LCD TV

Please read this manual carefully before operating your set and retain it for future reference.

LS34**
LM34**
CS46**
CS47**

P/NO : MFL67360812 (1211-REV06)
Printed in Korea

www.lg.com

TABLE OF CONTENTS

3 LICENSES

3 OPEN SOURCE SOFTWARE NOTICE

4 SAFETY INSTRUCTIONS

- 10 - Viewing 3D Imaging (Only 3D models)

12 INSTALLATION PROCEDURE

12 ASSEMBLING AND PREPARING

- 12 Unpacking
- 16 Separate purchase
- 17 Parts and buttons
- 18 Lifting and moving the TV
- 19 Setting up the TV
 - 19 - Attaching the stand
- 22 Mounting on a table
- 24 Mounting on a wall
- 25 Tidying cables
- 25 Not using the Desk-Type Stand

26 MAKING CONNECTIONS

- 26 Antenna connection
- 27 HDMI connection
- 27 Component connection
- 28 Composite connection
- 28 USB connection
- 29 Headphone connection

30 REMOTE CONTROL

32 USING THE USER GUIDE

33 MAINTENANCE

- 33 Cleaning your TV
 - 33 - Screen, frame, cabinet and stand
 - 33 - Power cord

33 TROUBLESHOOTING

34 ENVIRONMENTAL INFORMATION

- 34 WEEE

35 SPECIFICATIONS

WARNING

- If you ignore the warning message, you may be seriously injured or there is a possibility of accident or death.

CAUTION

- If you ignore the caution message, you may be slightly injured or the product may be damaged.

NOTE

- The note helps you understand and use the product safely. Please read the note carefully before using the product.

LICENSES

Supported licenses may differ by model. For more information about licenses, visit www.lg.com.



Manufactured under license from Dolby Laboratories. "Dolby" and the double-D symbol are trademarks of Dolby Laboratories.



HDMI, the HDMI logo and High-Definition Multimedia Interface are trademarks or registered trademarks of HDMI Licensing LLC.



ABOUT DIVX VIDEO: DivX® is a digital video format created by DivX, LLC, a subsidiary of Rovi Corporation. This is an official DivX Certified® device that plays DivX video. Visit divx.com for more information and software tools to convert your files into DivX video.

ABOUT DIVX VIDEO-ON-DEMAND: This DivX Certified® device must be registered in order to play purchased DivX Video-on-Demand (VOD) movies. To obtain your registration code, locate the DivX VOD section in your device setup menu. Go to vod.divx.com for more information on how to complete your registration.

"DivX Certified® to play DivX® video up to HD 1080p, including premium content."

"DivX®, DivX Certified® and associated logos are trademarks of Rovi Corporation or its subsidiaries and are used under license."

"Covered by one or more of the following U.S. patents :
7,295,673; 7,460,668; 7,515,710; 7,519,274"

OPEN SOURCE SOFTWARE NOTICE

To obtain the source code under GPL, LGPL, MPL and other open source licenses, that is contained in this product, please visit <http://opensource.lge.com>.

In addition to the source code, all referred license terms, warranty disclaimers and copyright notices are available for download.

LG Electronics will also provide open source code to you on CD-ROM for a charge covering the cost of performing such distribution (such as the cost of media, shipping and handling) upon email request to opensource@lge.com. This offer is valid for three (3) years from the date on which you purchased the product.

SAFETY INSTRUCTIONS

Please read these safety precautions carefully before using the product.

WARNING

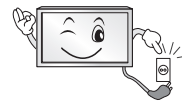


- Do not place the TV and remote control in the following environments:
 - A location exposed to direct sunlight
 - An area with high humidity such as a bathroom
 - Near any heat source such as stoves and other devices that produce heat
 - Near kitchen counters or humidifiers where they can easily be exposed to steam or oil
 - An area exposed to rain or wind
 - Near containers of water such as vases

Otherwise, this may result in fire, electric shock, malfunction or product deformation.



- Do not place the product where it might be exposed to dust. This may cause a fire hazard.



- Mains plug is the disconnecting device. The plug must remain readily operable.



- Do not touch the power plug with wet hands. Additionally, if the cord pin is wet or covered with dust, dry the power plug completely or wipe dust off. You may be electrocuted due to excess moisture.



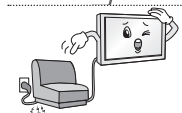
- Make sure to connect the power cable to the grounded current. (Except for devices which are not grounded.) You may be electrocuted or injured.



- Fix the power cable completely. If the power cable is not fixed completely, a fire can break out.



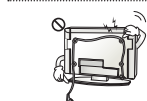
- Ensure the power cord does not come into contact with hot objects such as a heater. This may cause a fire or an electric shock hazard.



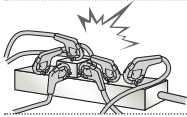
- Do not place a heavy object, or the product itself, on power cables. Otherwise, this may result in fire or electric shock.



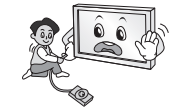
- Bend antenna cable between inside and outside building to prevent rain from flowing in. This may cause water damaged inside the Product and could give an electric shock.



- When mounting a TV it on the wall, make sure not to install TV by hanging power and signal cables on the back of the TV. It may cause fire, electric shock.



- Do not plug too many electrical devices into a single multiple electrical outlet. Otherwise, this may result in fire due to over-heating.



- Do not drop the product or let it fall over when connecting external devices. Otherwise, this may result in injury or damage to the product.



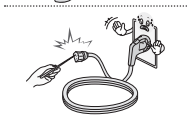
- Keep the packing anti-moisture material or vinyl packing out of the reach of children. Anti-moisture material is harmful if swallowed. If swallowed by mistake, force the patient to vomit and visit the nearest hospital. Additionally, vinyl packing can cause suffocation. Keep it out of the reach of children.



- Do not let your children climb or cling onto the TV. Otherwise, the TV may fall over, which may cause serious injury.



- Dispose of used batteries carefully to protect a child from eating them. Please seek Doctor- Medical Attention immediately if child consumes batteries.



- Do not insert any metal objects/conductors (like a metal chopstick/cutlery/ screwdriver) between power cable plug and input Wall Socket while it is connected to the input terminal on the wall. Additionally, do not touch the power cable right after plugging into the wall input terminal. You may be electrocuted. (Depending on model)



- Do not put or store inflammable substances near the product. There is a danger of combustion/explosion or fire due to careless handling of the inflammable substances.



- Do not drop metallic objects such as coins, hair pins, chopsticks or wire into the product, or inflammable objects such as paper and matches. Children must pay particular attention. Electrical shock, fire or injury can occur. If a foreign object is dropped into the product, unplug the power cord and contact the service centre.



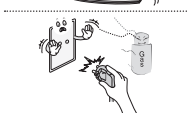
- Do not spray water on the product or scrub with an inflammable substance (thinner or benzene). Fire or electric shock accident can occur.



- Do not allow a impact shock or any objects to fall into the product, and do not drop onto the screen with something. You may be injured or the product can be damaged.



- Never touch this product or antenna during a thunder or lightning storm. You may be electrocuted.



- Never touch the wall outlet when there is leakage of gas, open the windows and ventilate. It may cause a fire or a burn by a spark.



- Do not disassemble, repair or modify the product at your own discretion. Fire or electric shock accident can occur. Contact the service center for check, calibration or repair.



- If any of the following occur, unplug the product immediately and contact your local service centre.
 - The product has been impacted by shock
 - The product has been damaged
 - Foreign objects have entered the product
 - The product produced smoke or a strange smellThis may result in fire or electric shock.



- If you don't intend to use the product for a long time, unplug the power cable from the product. Covering dust can cause a fire, or insulation deterioration can cause electric leakage, electric shock or fire.



- Apparatus shall not be exposed to dripping or splashing and no objects filled with liquids, such as vases, shall be placed on the apparatus.

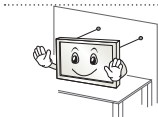
CAUTION



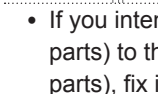
- Install the product where no radio wave occurs.



- There should be enough distance between an outside antenna and power lines to keep the former from touching the latter even when the antenna falls. This may cause an electric shock.



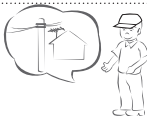
- Do not install the product on places such as unstable shelves or inclined surfaces. Also avoid places where there is vibration or where the product cannot be fully supported. Otherwise, the product may fall or flip over, which may cause injury or damage to the product.



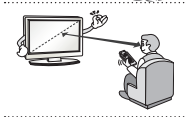
- If you install the TV on a stand, you need to take actions to prevent the product from overturning. Otherwise, the product may fall over, which may cause injury.

- If you intend to mount the product to a wall, attach VESA standard mounting interface (optional parts) to the back of the product. When you install the set to use the wall mounting bracket (optional parts), fix it carefully so as not to drop.

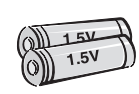
- Only use the attachments / accessories specified by the manufacturer.



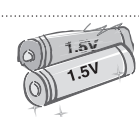
- When installing the antenna, consult a qualified service man. This may create a fire hazard or an electric shock hazard.



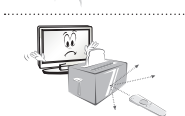
- We recommend that you maintain a distance of at least 2 to 7 times the diagonal screen size when watching TV. If you watch TV for a long period of time, this may cause blurred vision.



- Only use the specified type of battery. This could cause damage to the remote control.



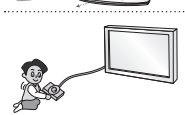
- Do not mix new batteries with old batteries. This may cause the batteries to overheat and leak.



- Make sure there are no objects between the remote control and its sensor.



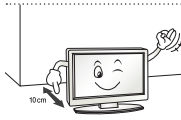
- Signal from the remote control may be disturbed by sun light or other strong light. In this case, darken the room.



- When connecting external devices such as video game consoles, make sure the connecting cables are long enough. Otherwise, the product may fall over, which may cause injury or damage the product.



- Do not turn the product On/Off by plugging-in or unplugging the power plug to the wall outlet. (Do not use the power plug for switch.) It may cause mechanical failure or could give an electric shock.



- Please follow the installation instructions below to prevent the product from overheating.
 - The distance between the product and the wall should be more than 10 cm.
 - Do not install the product in a place with no ventilation (e.g., on a bookshelf or in a cupboard).
 - Do not install the product on a carpet or cushion.
 - Make sure the air vent is not blocked by a tablecloth or curtain.
 Otherwise, this may result in fire.

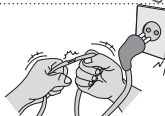


- Take care not to touch the ventilation openings when watching the TV for long periods as the ventilation openings may become hot. This does not affect the operation or performance of the product.

- Periodically examine the cord of your appliance, and if its appearance indicates damage or deterioration, unplug it, discontinue use of the appliance, and have the cord replaced with an exact replacement part by an authorized servicer.



- Prevent dust collecting on the power plug pins or outlet. This may cause a fire hazard.



- Protect the power cord from physical or mechanical abuse, such as being twisted, kinked, pinched, closed in a door, or walked upon. Pay particular attention to plugs, wall outlets, and the point where the cord exits the appliance.



- Do not press strongly upon the panel with a hand or sharp object such as nail, pencil or pen, or make a scratch on it.



- Avoid touching the screen or holding your finger(s) against it for long periods of time. Doing so may produce some temporary distortion effects on the screen.



- When cleaning the product and its components, unplug the power first and wipe it with a soft cloth. Applying excessive force may cause scratches or discoloration. Do not spray with water or wipe with a wet cloth. Never use glass cleaner, car or industrial shiner, abrasives or wax, benzene, alcohol etc., which can damage the product and its panel. Otherwise, this may result in fire, electric shock or product damage (deformation, corrosion or breakage).

- As long as this unit is connected to the AC wall outlet, it is not disconnected from the AC power source even if you turn off this unit by SWITCH.



- When unplugging the cable, grab the plug and unplug it. If the wires inside the power cable are disconnected, this may cause fire.



- When moving the product, make sure you turn the power off first. Then, unplug the power cables, antenna cables and all connecting cables. The TV set or power cord may be damaged, which may create a fire hazard or cause electric shock.



- When moving or unpacking the product, work in pairs because the product is heavy. Otherwise, this may result in injury.



- Contact the service center once a year to clean the internal parts of the product. Accumulated dust can cause mechanical failure.



- Refer all servicing to qualified service personnel. Servicing is required when the apparatus has been damaged in any way, such as power supply cord or plug is damaged, liquid has been spilled or objects have fallen into the apparatus, the apparatus has been exposed to rain or moisture, does not operate normally, or has been dropped.



- If the product feels cold to the touch, there may be a small “flicker” when it is turned on. This is normal, there is nothing wrong with product.



- The panel is a high technology display product with resolution of two million to six million pixels. You may see tiny black dots and/or brightly coloured dots (red, blue or green) at a size of 1 ppm on the panel. This does not indicate a malfunction and does not affect the performance and reliability of the product. This phenomenon also occurs in third-party products and is not subject to exchange or refund.



- You may find different brightness and colour of the panel depending on your viewing position(left/right/top/down). This phenomenon occurs due to the characteristic of the panel. It is not related with the product performance, and it is not malfunction.



- Displaying a still image (e.g., broadcasting channel logo, on-screen menu, scene from a video game) for a prolonged time may cause damage to the screen, resulting in retention of the image, which is known as image sticking. The warranty does not cover the product for image sticking. Avoid displaying a fixed image on your television’s screen for a prolonged period (2 or more hours for LCD, 1 or more hours for Plasma). Also, if you watch the TV at a ratio of 4:3 for a long time, image sticking may occur on the borders of the panel. This phenomenon also occurs in third-party products and is not subject to exchange or refund.

- **Generated Sound**

“Cracking” noise: A cracking noise that occurs when watching or turning off the TV is generated by plastic thermal contraction due to temperature and humidity. This noise is common for products where thermal deformation is required. Electrical circuit humming/panel buzzing: A low level noise is generated from a high-speed switching circuit, which supplies a large amount of current to operate a product. It varies depending on the product.

This generated sound does not affect the performance and reliability of the product.

Viewing 3D Imaging (Only 3D models)

WARNING

Viewing Environment

- Viewing Time
 - When watching 3D contents, take 5 - 15 minute breaks every hour. Viewing 3D contents for a long period of time may cause headache, dizziness, fatigue or eye strain.

Those that have a photosensitive seizure or chronic illness

- Some users may experience a seizure or other abnormal symptoms when they are exposed to a flashing light or particular pattern from 3D contents.
- Do not watch 3D videos if you feel nausea, are pregnant and/ or have a chronic illness such as epilepsy, cardiac disorder, or blood pressure disease, etc.
- 3D Contents are not recommended to those who suffer from stereo blindness or stereo anomaly. Double images or discomfort in viewing may be experienced.
- If you have strabismus (cross-eyed), amblyopia (weak eyesight) or astigmatism, you may have trouble sensing depth and easily feel fatigue due to double images. It is advised to take frequent breaks than the average adult.
- If your eyesight varies between your right and left eye, revise your eyesight prior to watching 3D contents.

Symptoms which require discontinuation or refraining from watching 3D contents

- Do not watch 3D contents when you feel fatigue from lack of sleep, overwork or drinking.
- When these symptoms are experienced, stop using/watching 3D contents and get enough rest until the symptom subsides.
 - Consult your doctor when the symptoms persist. Symptoms may include headache, eyeball pain, dizziness, nausea, palpitation, blurriness, discomfort, double image, visual inconvenience or fatigue.

 **CAUTION****Viewing Environment**

- Viewing Distance
 - Maintain a distance of at least twice the screen diagonal length when watching 3D contents. If you feel discomfort in viewing 3D contents, move further away from the TV.

Viewing Age

- Infants/Children
 - Usage/ Viewing 3D contents for children under the age of 5 are prohibited.
 - Children under the age of 10 may overreact and become overly excited because their vision is in development (for example: trying to touch the screen or trying to jump into it. Special monitoring and extra attention is required for children watching 3D contents.
 - Children have greater binocular disparity of 3D presentations than adults because the distance between the eyes is shorter than one of adults. Therefore they will perceive more stereoscopic depth compared to adults for the same 3D image.
- Teenagers
 - Teenagers under the age of 19 may react with sensitivity due to stimulation from light in 3D contents. Advise them to refrain from watching 3D contents for a long time when they are tired.
- Elderly
 - The elderly may perceive less 3D effect compared to the youth. Do not sit closer to the TV than the recommended distance.

Cautions when using the 3D glasses

- Make sure to use LG 3D glasses. Otherwise, you may not be able to view 3D videos properly.
- Do not use 3D glasses instead of your normal glasses, sunglasses or protective goggles.
- Using modified 3D glasses may cause eye strain or image distortion.
- Do not keep your 3D glasses in extremely high or low temperatures. It will cause deformation.
- The 3D glasses are fragile and are easy to be scratched. Always use a soft, clean piece of cloth when wiping the lenses. Do not scratch the lenses of the 3D glasses with sharp objects or clean/wipe them with chemicals.

NOTE

- Image shown may differ from your TV.
- Your TV's OSD (On Screen Display) may differ slightly from that shown in this manual.
- The available menus and options may differ from the input source or product model that you are using.
- New features may be added to this TV in the future.
- The TV can be placed in standby mode in order to reduce the power consumption. And the TV should be turned off if it will not be watched for some time, as this will reduce energy consumption.
- The energy consumed during use can be significantly reduced if the level of brightness of the picture is reduced, and this will reduce the overall running cost.

INSTALLATION PROCEDURE

- 1 Open the package and make sure all the accessories are included.
- 2 Attach the stand to the TV set.
- 3 Connect an external device to the TV set.

ASSEMBLING AND PREPARING

Unpacking

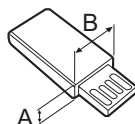
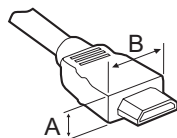
Check your product box for the following items. If there are any missing accessories, contact the local dealer where you purchased your product. The illustrations in this manual may differ from the actual product and item.

**CAUTION**

- Do not use any unapproved items to ensure the safety and product life span.
- Any damages or injuries by using unapproved items are not covered by the manufacturer's warranty.
- Some models have a thin film attached on to the screen and this must not be removed.

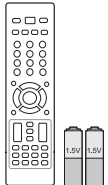


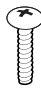

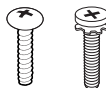
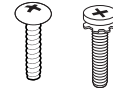
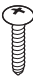

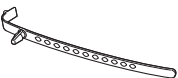
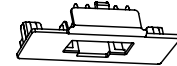
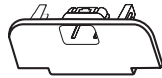
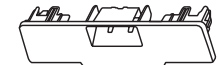
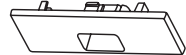

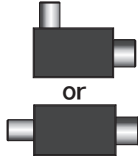
**NOTE**

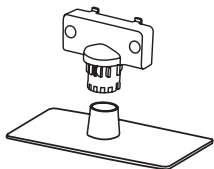
- The items supplied with your product may vary depending on the model.
- Product specifications or contents of this manual may be changed without prior notice due to upgrade of product functions.
- For an optimal connection, HDMI cables and USB devices should have bezels less than 10 mm thick and 18 mm width. Use an extension cable that supports USB 2.0 if the USB cable or USB memory stick does not fit into your TV's USB port.



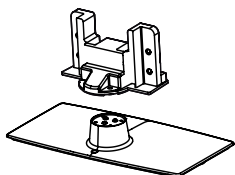
*A ≤ 10 mm

*B ≤ 18 mm

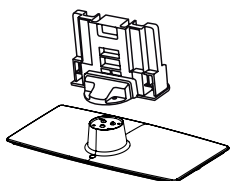
| | | | |
|---|---|---|--|
|  | <p>Remote control and batteries (AAA) (See p. 30, 31)</p> |  | <p>Owner's manual</p> |
|  | <p>Polishing cloth (Depending on model) Use this to remove dust from the cabinet.</p> |  | <p>Screw for assembly 2EA, P4 x 16 (Only 22CS46**, 22CS47**) (See p. 19)</p> |
|  | <p>Screw for assembly 8EA, M4 x 20 (Only 26/32/42CS46**, 26/32/42CS47**, 32/42LS340*, 32/42LM34**) (See p. 19, 20)</p> |  | <p>Screw for assembly 2EA, P4 x 16 4EA, M4 x 20 (Only 32LS345*, 32LS341*) (See p. 20)</p> |
|  | <p>Screw for assembly 4EA, P4 x 16 4EA, M4 x 14 (Only 42LS345*, 42LS341*) (See p. 21)</p> |  | <p>Screw for fixing (Only 26/32/42CS46**, 26/32/42CS47**, 32/42LS34**, 32/42LM34**) (See p. 22)</p> |
|  | <p>Power Cord</p> |  | <p>Cable holder (Depending on model) (See p. 25)</p> |
|  | <p>Protection cover (Only 26CS46**, 26CS47**) (See p. 25)</p> |  | <p>Protection cover (Only 32CS46**, 32CS47**, 32LS340*, 32LM34**) (See p. 25)</p> |
|  | <p>Protection cover (Only 42CS46**, 42CS47**, 42LS340*, 42LM34**) (See p. 25)</p> |  | <p>Protection cover (Only 32LS345*, 32LS341*) (See p. 25)</p> |
|  | <p>Cinema 3D Glasses The number of 3D glasses may differ depending on the model or country. (Only 32/42LM34**)</p> |  | <p>Isolator (Depending on model) (See p. 15)</p> |



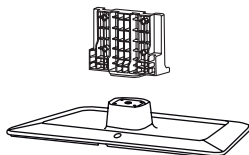
Stand Body / Stand Base
(Only 22CS46**, 22CS47**)
(See p. 19)



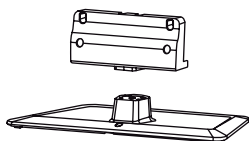
Stand Body / Stand Base
(Only 26CS46**, 26CS47**)
(See p. 19)



Stand Body / Stand Base
(Only 32/42CS46**, 32/42CS47**, 32/42LS340*, 32/42LM34**)
(See p. 20)



Stand Body / Stand Base
(Only 32LS345*, 32LS341*)
(See p. 20)

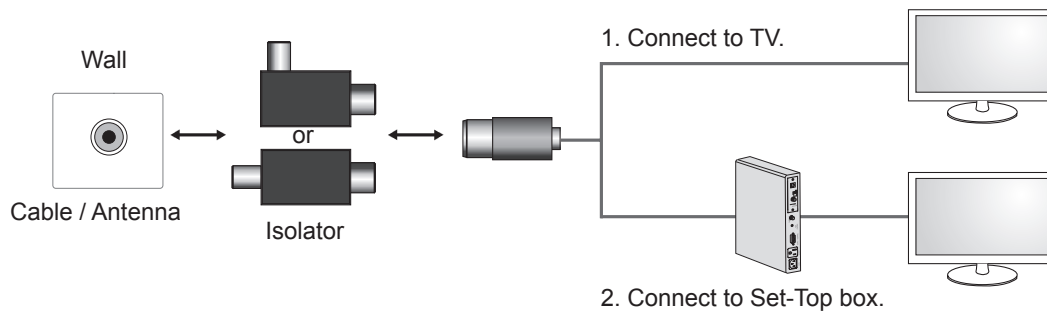


Stand Body / Stand Base
(Only 42LS345*, 42LS341*)
(See p. 21)

! NOTE

• Antenna Isolator Installation Guide

- Use this to install TV in a place where there is a voltage difference between TV Set and GND of antenna signal.
 - » If there is a voltage difference between TV Set and GND of antenna signal, the antenna contact might be heated and excessive heat might cause an accident.
- You can improve the safety when watching TV by efficiently removing power voltage from TV antenna. It is recommended to mount the isolator to the wall. If it cannot be mounted to the wall, mount it on the TV. Avoid disconnecting the antenna Isolator after installation.
- Before starting, be sure that the TV antenna is connected.



Connect one end of the isolator to cable/antenna jack and the other to TV set or set-top box.

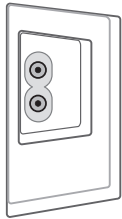
“Equipment connected to the protective earthing of the building installation through the mains connection or through other equipment with a connection to protective earthing - and to a cable distribution system using coaxial cable, may in some circumstances create a fire hazard. Connection to a cable distribution system has therefore to be provided through a device providing electrical isolation below a certain frequency range (galvanic isolator, see EN 60728-11)”

When applying the RF Isolator, a slight loss of signal sensitivity can occur.

ENGLISH

CAUTION

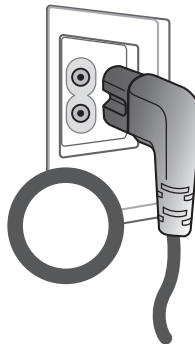
- Power Cord Installation Guide
- If the power cord provided with TV looks like the below picture, please ensure that it is inserted in the right direction.



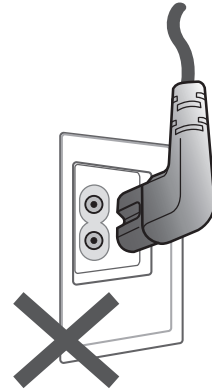
TV



Power Cord



Correct



Wrong

Separate purchase

Separate purchase items can be changed or modified for quality improvement without any notification. Contact your dealer to buying these items. These devices only work with certain models.



AG-F3**
Cinema 3D Glasses



AG-F3DP**
Dual play glasses

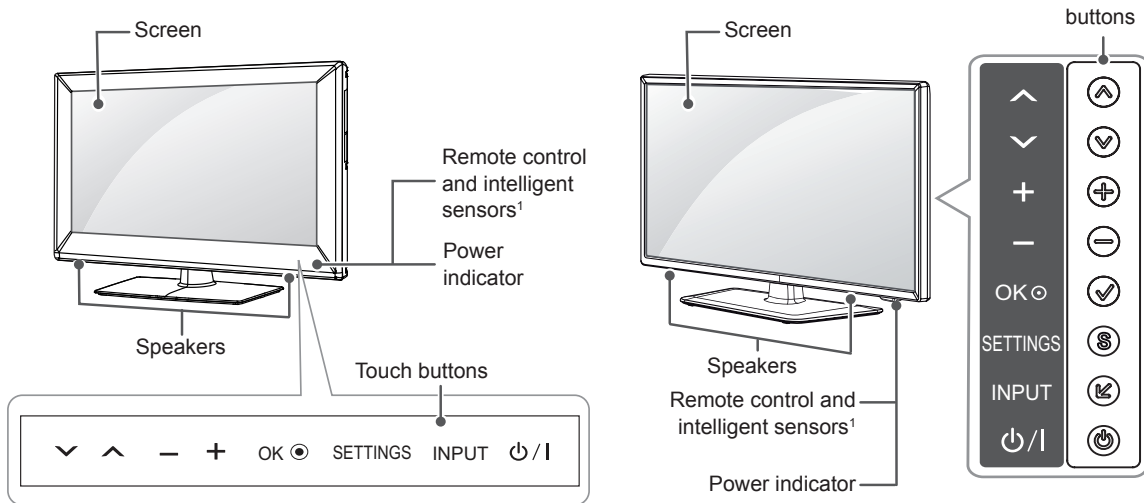
| | | |
|---------------------------------------|-------------|---|
| Compatibility | 32/42LM34** | 32/42LS34**, 22/26/32/42CS46**, 22/26/32/42CS47** |
| AG-F3** Cinema 3D Glasses | • | |
| AG-F3**DP Dual play glasses | • | |

The model name or design may be changed depending on the upgrade of product functions, manufacturer's circumstances or policies.

Parts and buttons

A type : 22/26/32/42CS46**,
22/26/32/42CS47**, 32/42LS340*
32/42LM34**

B type : 32/42LS345*,
32/42LS341*



| Button | | Description |
|---------------------|--------|--|
| A type ² | B type | |
| ∨ ^ | ^ ∨ | Scrolls through the saved programmes. |
| - + | + - | Adjusts the volume level. |
| OK ● | ✓ | Selects the highlighted menu option or confirms an input. |
| SETTINGS | S | Accesses the main menu, or saves your input and exits the menus. |
| INPUT | ← | Changes the input source. |
| ⏻ / I | ⏻ | Turns the power on or off. |

- 1 Intelligent sensor - Adjusts the image quality and brightness based on the surrounding environment.
- 2 A type buttons are touch sensitive and can be operated through simple touch with your finger.

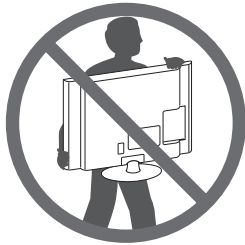
Lifting and moving the TV

Please note the following advice to prevent the TV from being scratched or damaged and for safe transportation regardless of its type and size.

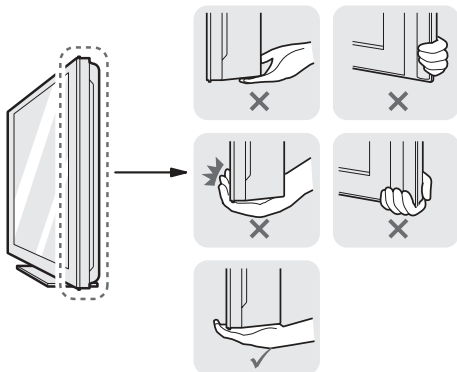


CAUTION

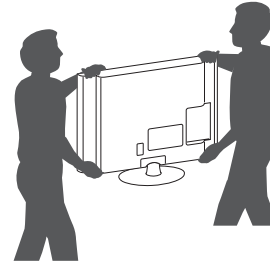
- Avoid touching the screen at all times, as this may result in damage to the screen.
- It is recommended to move the TV in the box or packing material that the TV originally came in.
- Before moving or lifting the TV, disconnect the power cord and all cables.
- When holding the TV, the screen should face away from you to avoid damage.



- Hold the top and bottom of the TV frame firmly. Make sure not to hold the transparent part, speaker, or speaker grill area.



- When transporting a large TV, there should be at least 2 people.
- When transporting the TV by hand, hold the TV as shown in the following illustration.

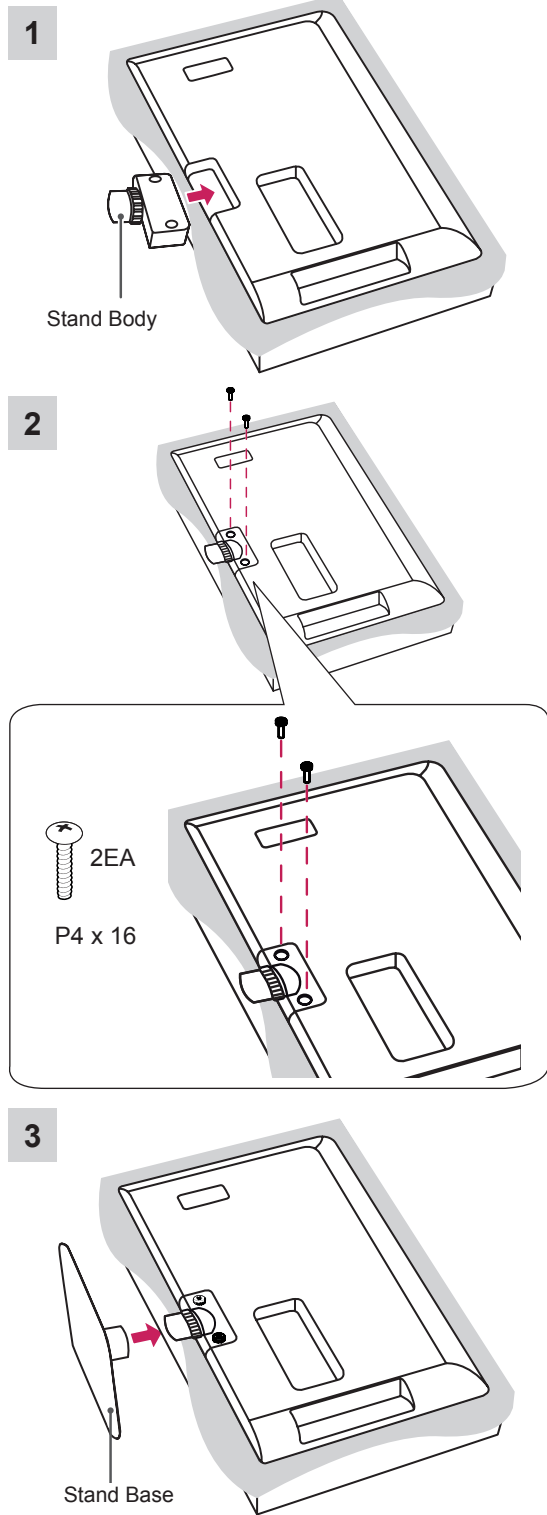


- When transporting the TV, do not expose the TV to jolts or excessive vibration.
- When transporting the TV, keep the TV upright, never turn the TV on its side or tilt towards the left or right.

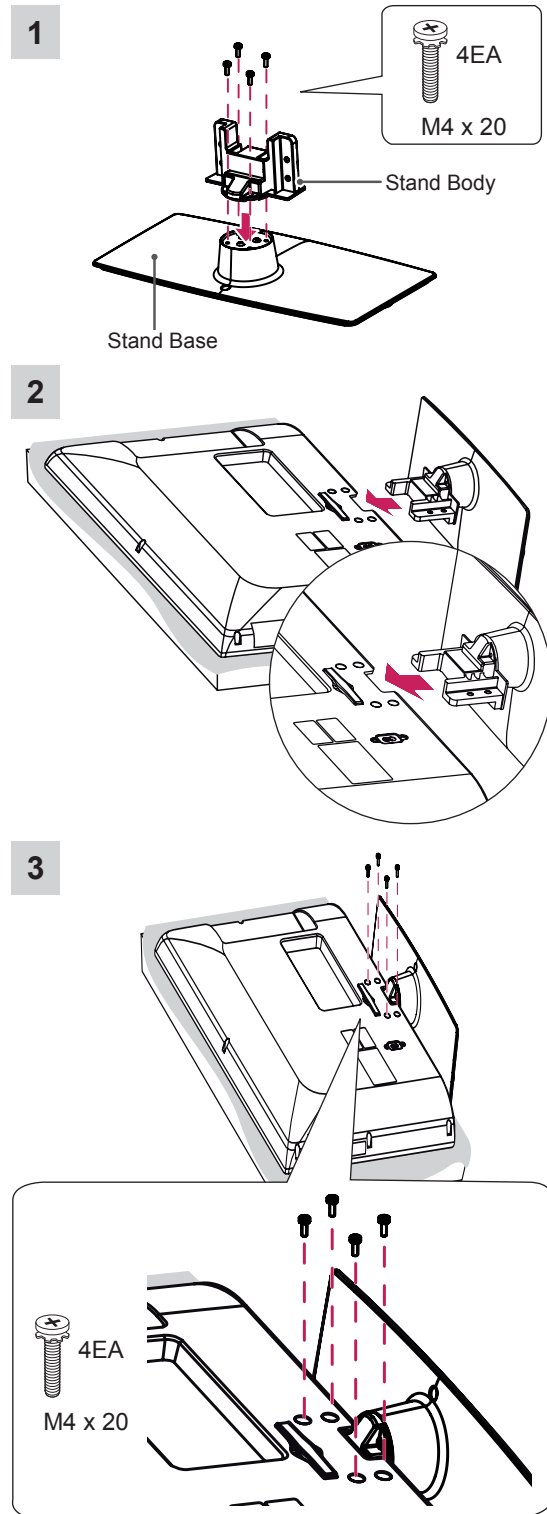
Setting up the TV

Attaching the stand

Image shown may differ from your TV.
22CS46**, 22CS47**

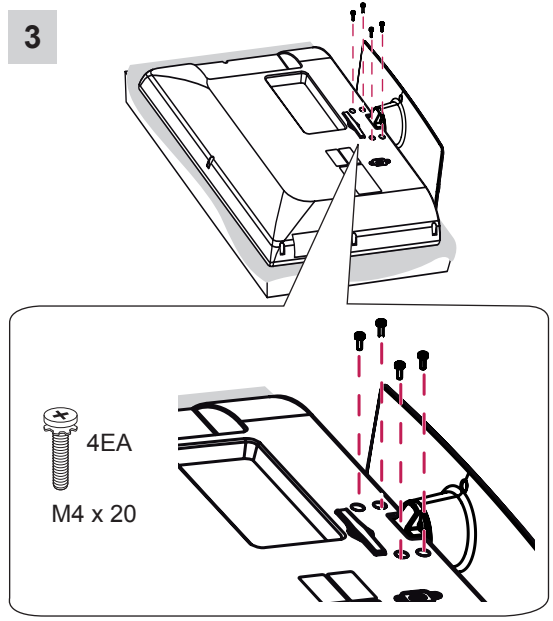
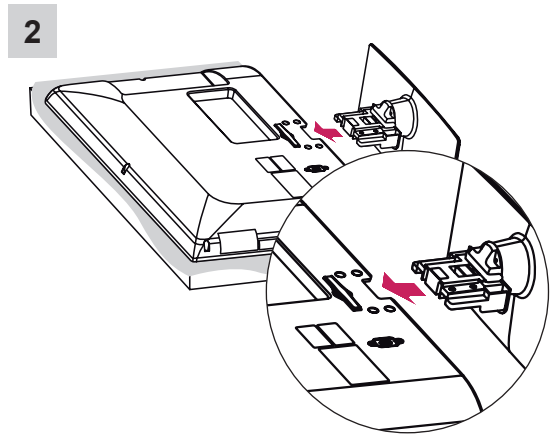
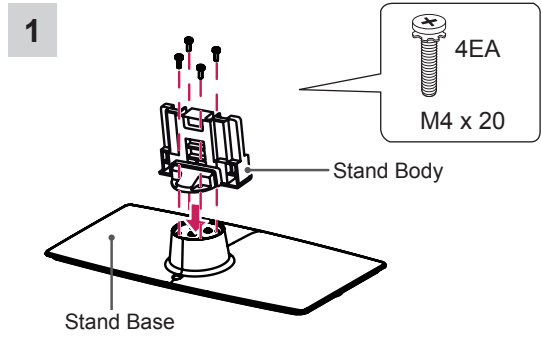


26CS46**, 26CS47**

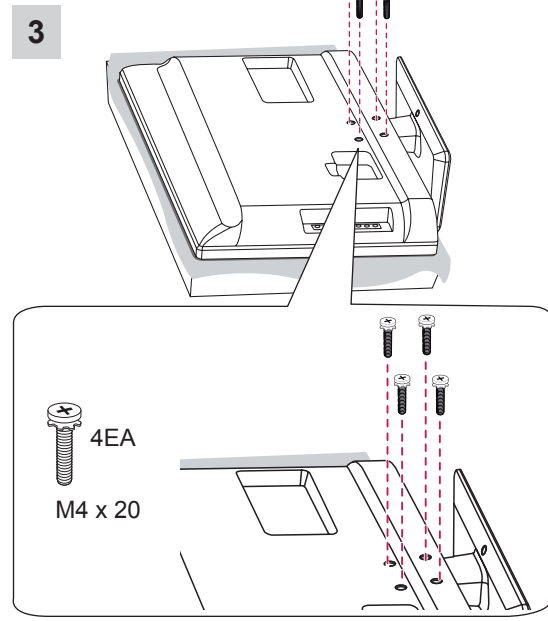
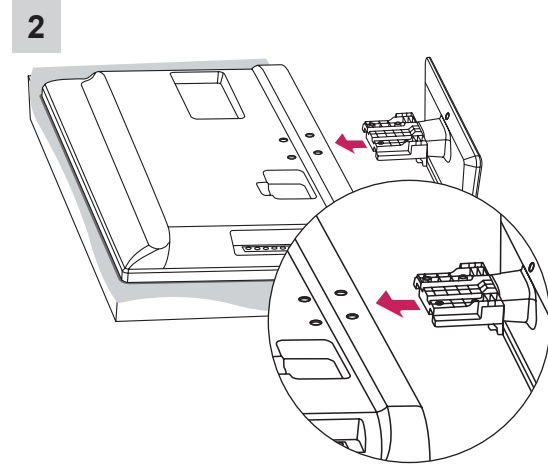
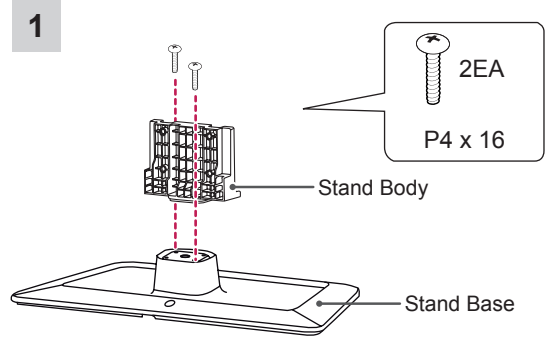


ENGLISH

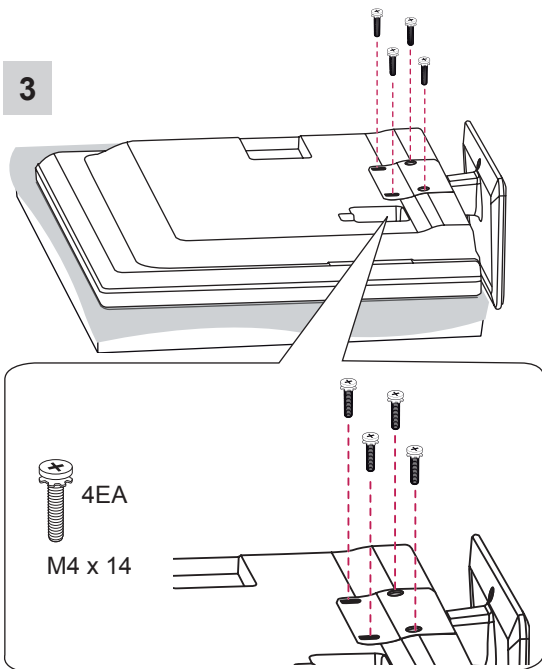
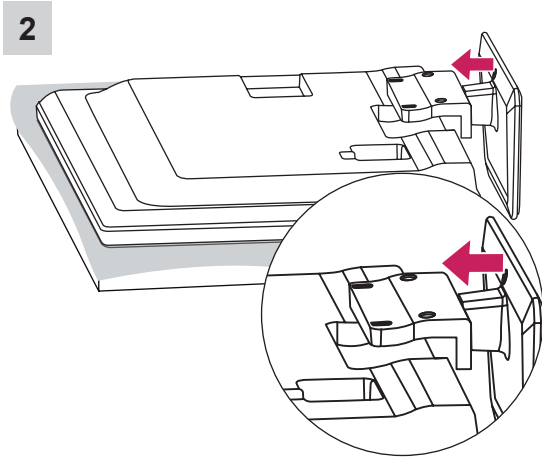
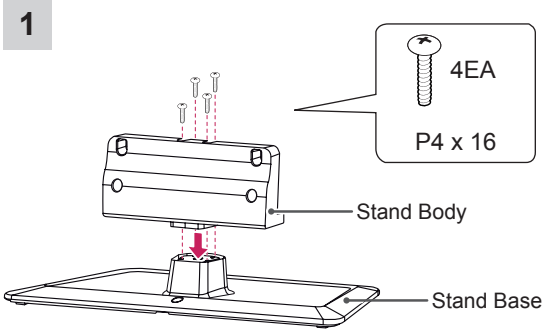
32/42CS46**, 32/42CS47**, 32/42LS340*,
32/42LM34**



32LS345*, 32LS341*



42LS345*, 42LS341*



CAUTION

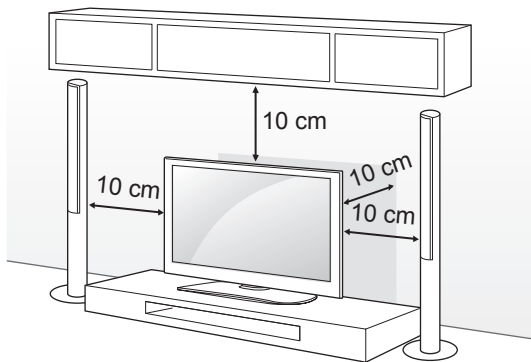
- When attaching the stand to the TV set, place the screen facing down on a cushioned table or flat surface to protect the screen from scratches.
- Make sure that the screws are inserted correctly and fastened securely. (If they are not fastened securely enough, the TV may tilt forward after being installed.) Do not use too much force and over tighten the screws; otherwise screw may be damaged and not tighten correctly.

NOTE

- Remove the stand before installing the TV on a wall mount by performing the stand attachment in reverse.

Mounting on a table

- Lift and tilt the TV into its upright position on a table.
 - Leave a 10 cm (minimum) space from the wall for proper ventilation.



- Connect the power cord to a wall outlet.



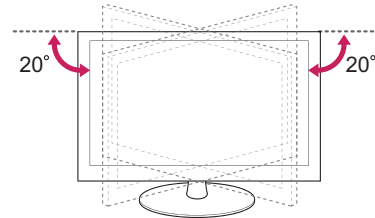
CAUTION

- Do not place the TV near or on sources of heat, as this may result in fire or other damage.

Adjusting the angle of the TV to suit view

(Only 32/42CS46**, 32/42CS47**, 32/42LS340*, 32/42LM34**)

Swivel 20 degrees to the left or right and adjust the angle of the TV to suit your view.



CAUTION

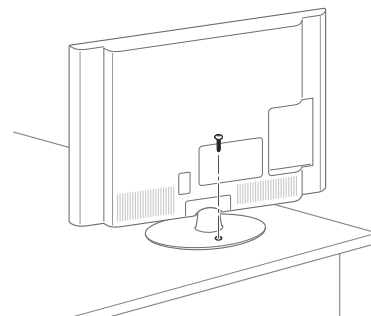
- When adjusting the angle of the product, watch out for your fingers.
 - Personal injury may occur if hands or fingers are pinched. If the product is tilted too much, it may fall, causing damage or injury.

Securing the TV to a table

(Only 26/32/42CS46**, 26/32/42CS47**, 32/42LS34**, 32/42LM34**)

Fix the TV to a table to prevent from tilting forward, damage, and potential injury.

To secure the TV to a table, insert and tighten the supplied screw on the rear of the stand.

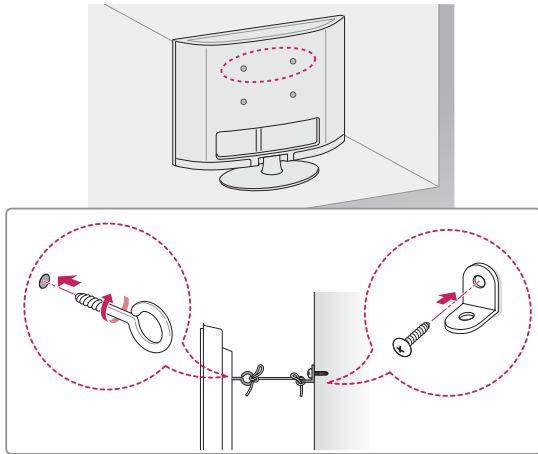


WARNING

- To prevent TV from falling over, the TV should be securely attached to the floor/wall per installation instructions. Tipping, shaking, or rocking the TV may cause injury.

Securing the TV to a wall

(This feature is not available for all models.)



- 1 Insert and tighten the eye-bolts, or TV brackets and bolts on the back of the TV.
 - If there are bolts inserted at the eye-bolts position, remove the bolts first.
- 2 Mount the wall brackets with the bolts to the wall.

Match the location of the wall bracket and the eye-bolts on the rear of the TV.
- 3 Connect the eye-bolts and wall brackets tightly with a sturdy rope.

Make sure to keep the rope horizontal with the flat surface.

**CAUTION**

- Make sure that children do not climb on or hang on the TV.

**NOTE**

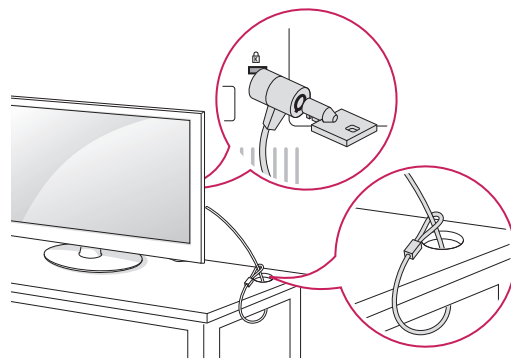
- Use a platform or cabinet that is strong and large enough to support the TV securely.
- Brackets, bolts and ropes are not provided. You can obtain additional accessories from your local dealer.

Using the Kensington security system

(Depending on model)

The Kensington security system connector is located at the rear of the TV. For more information of installation and using, refer to the manual provided with the Kensington security system or visit <http://www.kensington.com>.

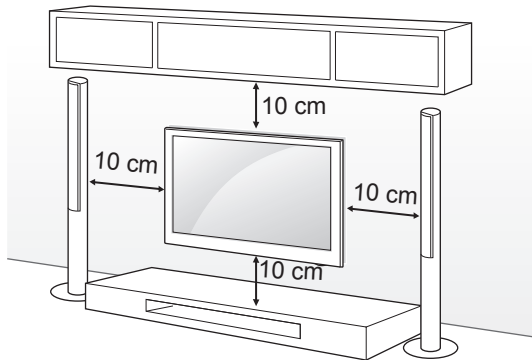
Connect the Kensington security system cable between the TV and a table.



ENGLISH

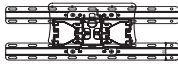
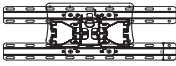
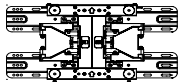
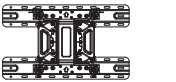
Mounting on a wall

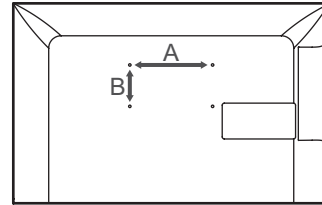
Attach an optional wall mount bracket at the rear of the TV carefully and install the wall mount bracket on a solid wall perpendicular to the floor. When you attach the TV to other building materials, please contact qualified personnel. LG recommends that wall mounting be performed by a qualified professional installer.



Make sure to use screws and wall mount bracket that meet the VESA standard. Standard dimensions for the wall mount kits are described in the following table.

Separate purchase(Wall Mounting Bracket)

| | | |
|---------------------------|---|---|
| Model | 22CS46**, 22CS47** | 26/32CS46**, 26/32CS47**, 32LS34**, 32LM34** |
| VESA (A x B) | 100 x 100 | 200 x 100 |
| Standard screw | M4 | M4 |
| Number of screws | 4 | 4 |
| Wall mount bracket | LSW100B  | LSW100B  |
| Model | 42CS46**, 42CS47**, 42LS34**, 42LM34** | |
| VESA (A x B) | 200 x 200 | |
| Standard screw | M6 | |
| Number of screws | 4 | |
| Wall mount bracket | LSW200BX  | LSW220BX  |



CAUTION

- Disconnect the power first, and then move or install the TV. Otherwise electric shock may occur.
- If you install the TV on a ceiling or slanted wall, it may fall and result in severe injury. Use an authorized LG wall mount and contact the local dealer or qualified personnel.
- Do not over tighten the screws as this may cause damage to the TV and void your warranty.
- Use the screws and wall mounts that meet the VESA standard. Any damages or injuries by misuse or using an improper accessory are not covered by the manufacturer's warranty.

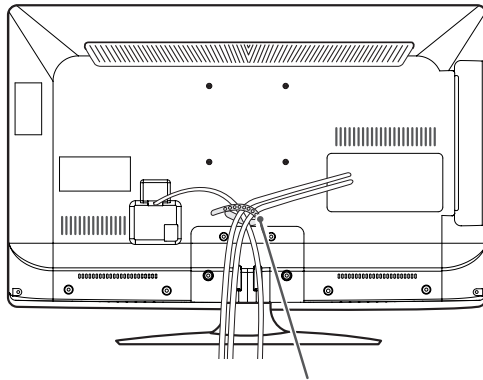
NOTE

- Use the screws that are listed on the VESA standard screw specifications.
- The wall mount kit includes an installation manual and necessary parts.
- The wall mount bracket is not provided. You can obtain additional accessories from your local dealer.
- The length of screws may differ depending on the wall mount. Make sure to use the proper length.
- For more information, refer to the manual supplied with the wall mount.

Tidying cables

Only 32/42LS345*, 32/42LS341*

- 1 Gather and bind the cables with the Cable Holder on the TV back cover.



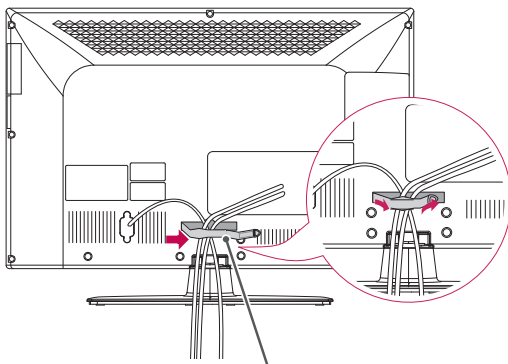
Cable Holder

! CAUTION

- Do not move the TV by holding the cable holder, as the cable holders may break, and injuries and damage to the TV may occur.

Only 26/32/42CS46***, 26/32/42CS47**, 32/42LS340*, 32/42LM34**

- 1 Gather and bind the cables with the cable management.
- 2 Fix the cable management firmly to the TV.



Cable Management

! CAUTION

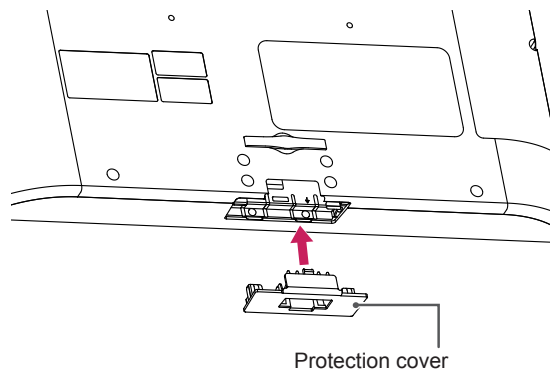
- Do not move the TV by holding the cable management, as the cable management may break, and injurure and damage to the TV may occur.

Not using the Desk-Type Stand

Only 26/32/42CS46**, 26/32/42CS47**, 32/42LS340*, 32/42LM34**, 32LS345*, 32LS341*

- When installing the wall mounting bracket, use the **Protection cover**. This will protect the opening from accumulating dust and dirt.

Push the supplied protection cover into the opening at the bottom of the TV until it locks in place.

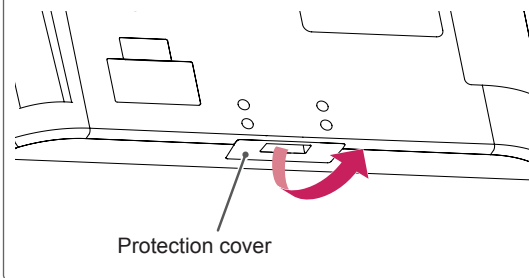


Protection cover

! NOTE

(Only 32LS345*, 32LS341*)

- When removing Protection Cover from bottom of TV insert your fingers into hole of cover hold firmly and pull upwards towards you to remove.



Protection cover

MAKING CONNECTIONS

- This section on MAKING CONNECTIONS mainly uses diagrams for the CS46** models.

Connect various external devices to the TV and switch input modes to select an external device. For more information of external device's connection, refer to the manual provided with each device.

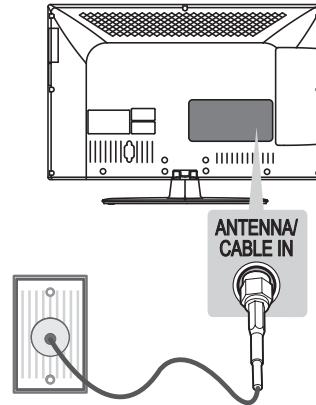
Available external devices are: HD receivers, DVD players, VCRs, audio systems, USB storage devices, PC, gaming devices, and other external devices.

! NOTE

- The external device connection may differ from the model.
- Connect external devices to the TV regardless of the order of the TV port.
- If you record a TV program on a DVD recorder or VCR, make sure to connect the TV signal input cable to the TV through a DVD recorder or VCR. For more information of recording, refer to the manual provided with the connected device.
- Refer to the external equipment's manual for operating instructions.
- If you connect a gaming device to the TV, use the cable supplied with the gaming device.
- In PC mode, there may be noise associated with the resolution, vertical pattern, contrast or brightness. If noise is present, change the PC output to another resolution, change the refresh rate to another rate or adjust the brightness and contrast on the PICTURE menu until the picture is clear.
- In PC mode, some resolution settings may not work properly depending on the graphics card.

Antenna connection

Connect the TV to a wall antenna socket with an RF cable (75 Ω).



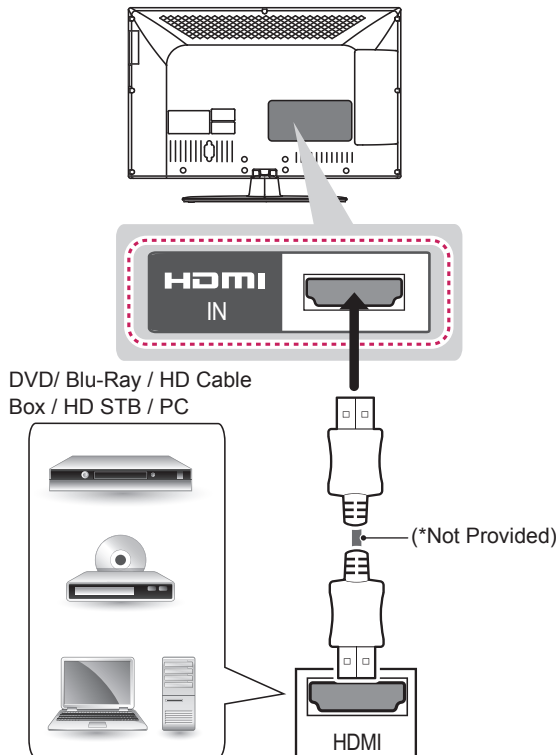
! NOTE

- Use a signal splitter to use more than 2 TVs.
- If the image quality is poor, install a signal amplifier properly to improve the image quality.
- If the image quality is poor with an antenna connected, try to realign the antenna in the correct direction.
- An antenna cable and converter are not supplied.

HDMI connection

Transmits the digital video and audio signals from an external device to the TV. Connect the external device and the TV with the HDMI cable as shown.

Choose any HDMI input port to connect. It does not matter which port you use.

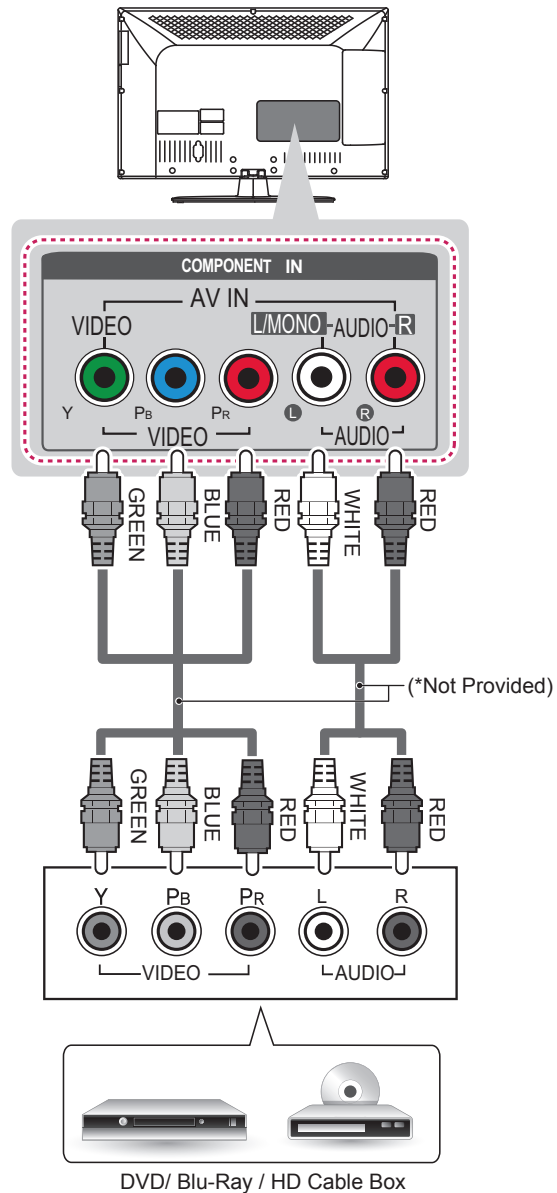


NOTE

- It is recommended to use the TV with the HDMI connection for the best image quality.
- Use the latest High Speed HDMI™ Cable with CEC (Customer Electronics Control) function.
- High Speed HDMI™ Cables are tested to carry an HD signal up to 1080p and higher.
- Supported DTV Audio: MPEG, Dolby Digital, Dolby Digital Plus, HE-AAC
- Supported HDMI Audio format : Dolby Digital, PCM (Up to 192 KHz, 32k/44.1k/48k /88k/96k/176k/192k, DTS Not supported.)

Component connection

Transmits analog video and audio signals from an external device to the TV. Connect the external device and the TV with a component cable as shown.



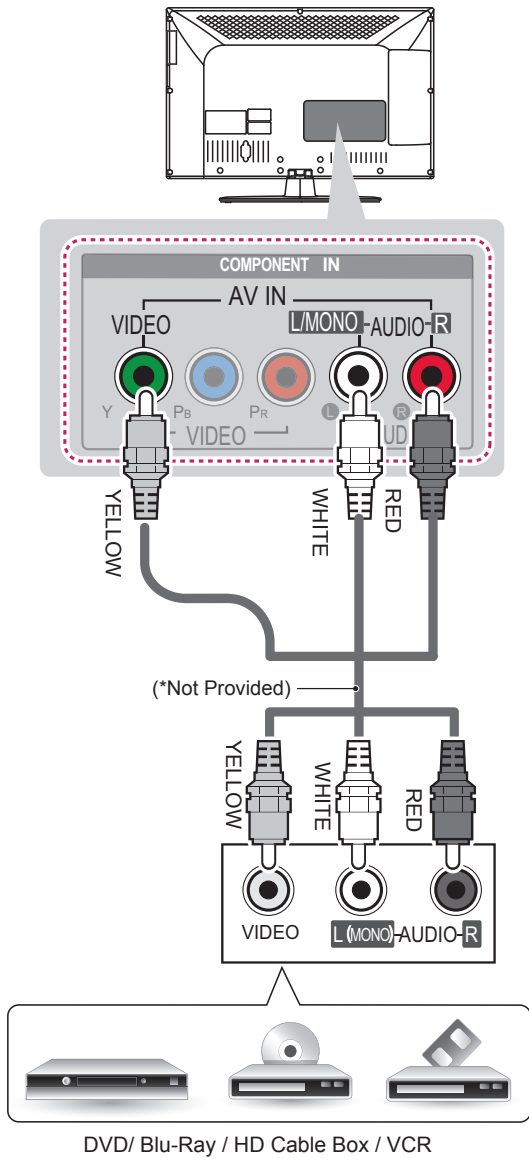
NOTE

- If cables are installed incorrectly, it could cause the image to display in black and white or with distorted colour.

ENGLISH

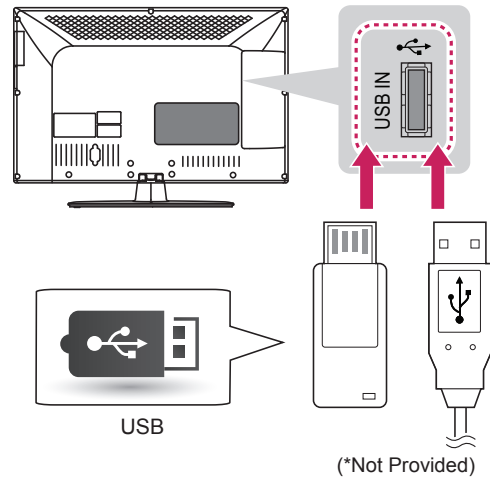
Composite connection

Transmits analog video and audio signals from an external device to the TV. Connect the external device and the TV with the composite cable as shown.



USB connection

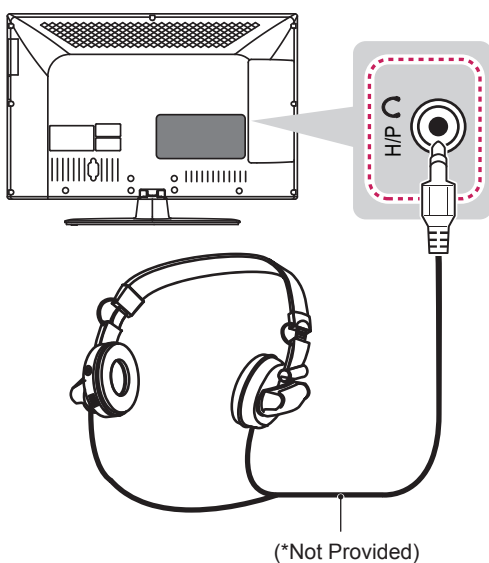
Connect a USB storage device such as a USB flash memory, external hard drive, or a USB memory card reader to the TV and access the My media menu to use various multimedia files.



Headphone connection

(Only 22/26/32/42CS47**)

Transmits the headphone signal from the TV to an external device. Connect the external device and the TV with the headphone as shown.



! NOTE

- AUDIO menu items are disabled when connecting a headphone.
- Headphone impedance: 16 Ω
- Max audio output of headphone: 9 mW to 15 mW
- Headphone jack size: 0.35 cm

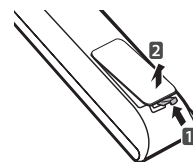
REMOTE CONTROL

The descriptions in this manual are based on the buttons on the remote control.

Please read this manual carefully and use the TV correctly.

To replace batteries, open the battery cover, replace batteries (1.5 V AAA) matching the ⊕ and ⊖ ends to the label inside the compartment, and close the battery cover.

To remove the batteries, perform the installation actions in reverse.

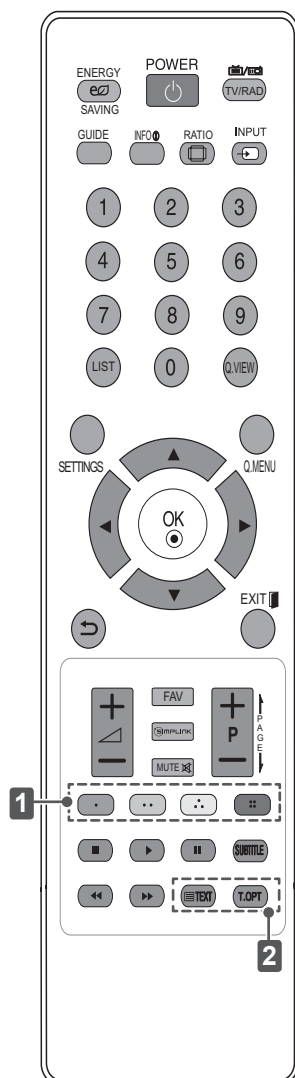


CAUTION

- Do not mix old and new batteries, as this may damage the remote control.
- In Analogue TV and some countries, some remote control buttons may not work.

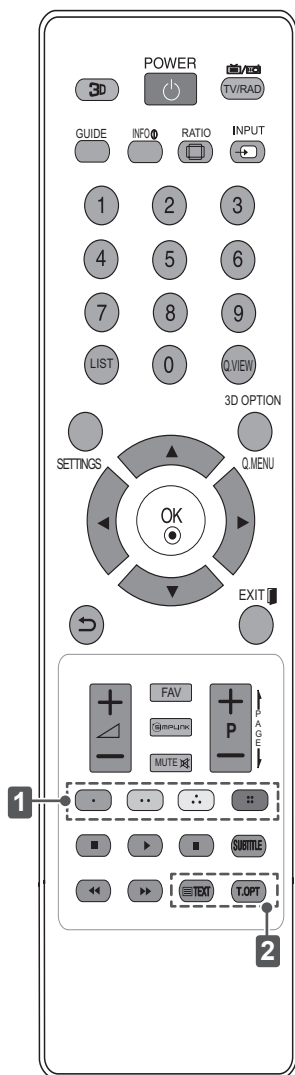
Make sure to point the remote control toward the remote control sensor on the TV.

(Only 22/26/32/42CS46**, 22/26/32/42CS47**, 32/42LS34**)



| | |
|--|---|
| ENERGY SAVING | Adjusts the brightness of the screen to reduce energy consumption. |
| TV / RAD | Selects Radio, TV and DTV programme. |
| GUIDE | Shows programme guide. |
| INFO | Views the information of the current programme and screen. |
| RATIO | Resizes an image. |
| INPUT | Changes the input source. |
| LIST | Accesses the saved programme list. |
| Q.VIEW | Returns to the previously viewed programme. |
| SETTINGS | Accesses the main menus. |
| Q.MENU | Accesses the Quick menus. |
| Navigation buttons (up/down/left/right) | Scrolls through menus or options. |
| OK | Selects menus or options and confirms your input. |
| ↩ | Returns to the previous level. |
| EXIT | Clears on-screen displays and return to TV viewing. |
| FAV | Accesses your favourite programme list. |
| SIMPLINK | Accesses the AV devices connected with the HDMI cable through HDMI-CEC. Opens the SIMPLINK menu. |
| ← PAGE → | Moves to the previous or next screen. |
| 1 Coloured buttons | These access special functions in some menus. (: Red, : Green, : Yellow, : Blue) |
| SUBTITLE | Recalls your preferred subtitle in digital mode. |
| Control buttons (, , , ,) | Controls the MY MEDIA menus, or the SIMPLINK compatible devices (USB, SIMPLINK). |
| 2 TELETEXT BUTTONS | These buttons are used for teletext. |

(Only 32/42LM34**)

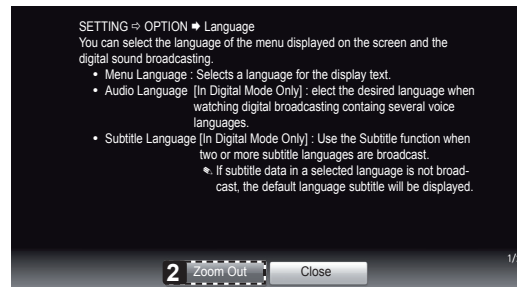
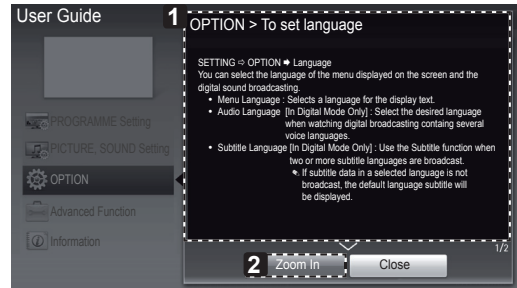
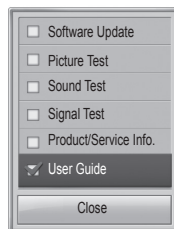


| | |
|--|--|
| 3D | Used for viewing 3D video. |
| TV / RAD | Selects Radio, TV and DTV programme. |
| GUIDE | Shows programme guide. |
| INFO | Views the information of the current programme and screen. |
| RATIO | Resizes an image. |
| INPUT | Changes the input source. |
| LIST | Accesses the saved programme list. |
| Q.VIEW | Returns to the previously viewed programme. |
| 3D OPTION | Use this to view 3D video. |
| SETTINGS | Accesses the main menus. |
| Q.MENU | Accesses the Quick menus. |
| Navigation buttons (up/down/left/right) | Scrolls through menus or options. |
| OK | Selects menus or options and confirms your input. |
| ↶ | Returns to the previous level. |
| EXIT | Clears on-screen displays and return to TV viewing. |
| FAV | Accesses your favourite programme list. |
| SIMPLINK | Accesses the AV devices connected with the HDMI cable through HDMI-CEC. Opens the SIMPLINK menu. |
| ← PAGE → | Moves to the previous or next screen. |
| 1 Coloured buttons | These access special functions in some menus. (● : Red, ●● : Green, ●●● : Yellow, ●●●● : Blue) |
| SUBTITLE | Recalls your preferred subtitle in digital mode. |
| Control buttons (■, ▶, , ◀◀, ▶▶) | Controls the MY MEDIA menus, or the SIMPLINK compatible devices (USB, SIMPLINK). |
| 2 TELETEXT BUTTONS | These buttons are used for teletext. |

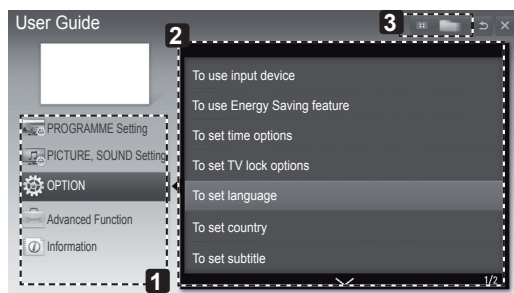
USING THE USER GUIDE

User Guide allows you to more easily access the detailed TV information.

- 1 Press **SETTINGS** to access the main menus.
- 2 Press the **RED** button to access the Customer Support menus.
- 3 Press the Navigation buttons to scroll to **User Guide** and press **OK**.



- 1 Shows the description of the selected menu. You can use \wedge/\vee to move between pages.
- 2 Zooms in or out the screen.



- 1 Allows to select the category you want.
- 2 Allows to select the item you want. You can use \wedge/\vee to move between pages.
- 3 Allows to browse the description of the function you want from the index.

MAINTENANCE

Cleaning your TV

Clean your TV regularly to keep the best performance and to extend the product lifespan.



CAUTION

- Make sure to turn the power off and disconnect the power cord and all other cables first.
- When the TV is left unattended and unused for a long time, disconnect the power cord from the wall outlet to prevent possible damage from lightning or power surges.

Screen, frame, cabinet and stand

- To remove dust or light dirt, wipe the surface with a dry, clean, and soft cloth.
- To remove major dirt, wipe the surface with a soft cloth dampened in clean water or a diluted mild detergent. Then wipe immediately with a dry cloth.



CAUTION

- Avoid touching the screen at all times, as this may result in damage to the screen.
- Do not push, rub, or hit the screen surface with your fingernail or a sharp object, as this may result in scratches and image distortions.
- Do not use any chemicals as this may damage the product.
- Do not spray liquid onto the surface. If water enters the TV, it may result in fire, electric shock, or malfunction.

Power cord

Remove the accumulated dust or dirt on the power cord regularly.

TROUBLESHOOTING

| Problem | Solution |
|--|--|
| Cannot control the TV with the remote control. | <ul style="list-style-type: none"> • Check the remote control sensor on the product and try again. • Check if there is any obstacle between the product and the remote control. • Check if the batteries are still working and properly installed (⊕ to ⊕, ⊖ to ⊖). |
| No image display and no sound is produced. | <ul style="list-style-type: none"> • Check if the product is turned on. • Check if the power cord is connected to a wall outlet. • Check if there is a problem in the wall outlet by connecting other products. |
| The TV turns off suddenly. | <ul style="list-style-type: none"> • Check the power control settings. The power supply may be interrupted. • Check if the Auto sleep feature is activated in the Time settings. • If there is no signal while the TV is on, the TV will turn off automatically after 15 minutes of inactivity. |

ENVIRONMENTAL INFORMATION

(India only)

WEEE



Disposal of your old appliance

1. When this crossed-out wheeled bin symbol is attached to a product it means the product is covered by the e-waste (Management and Handling) Rules, 2011.
2. All electrical and electronic products should be disposed of separately from the municipal waste stream via designated collection facilities appointed by the government or the local authorities.
3. The correct disposal of your old appliance will help prevent potential negative consequences for the environment and human health.
4. For more detailed information about disposal of your old appliance, please contact your city office, waste disposal service or the shop where you purchased the product.
5. This product does not contain any of the hazardous substances as specified in the rule 13 (1) and (2) of the e-waste (Management and Handling) Rules, 2011.

पर्यावरणीय जानकारी

WEEE



अपने पुराने उपकरण का निपटान

1. जब यह काटे गये पहिये वाले बिन का चिह्न किसी उत्पाद के साथ संलग्न होता है तो इसका अर्थ है उत्पाद ई-अपशिष्ट (प्रबंधन और हथालन) नियम २०११ के अंतर्गत सम्मिलित किया गया है।
2. सभी इलेक्ट्रिकल एवं और इलेक्ट्रॉनिक उत्पादों को सरकार या स्थानीय अधिकारियों द्वारा नियुक्त नगरपालिका अपशिष्ट धारा से अलग प्राधिकृत की गई संग्रह सुविधाओं के माध्यम से निपटाया जाना चाहिए।
3. सही तरीके से अपने पुराने उपकरणों का निपटान वातावरण और मानवीय स्वास्थ्य के लिए संभावित नकारात्मक परिणामों को रोकने में मदद करेगा।
4. अपने पुराने उपकरणों के निपटान के संबंध में और अधिक विस्तृत जानकारी के लिए, कृपया अपने नगर कार्यालय, अपशिष्ट निपटान सेवा या जहां से आपने उत्पाद खरीदा था, वहां संपर्क करें।
5. इस उत्पाद में ई-अपशिष्ट(प्रबंधन और हथालन) नियम, २०११ के नियम १३ (१) और (२) में निर्देशानुसार कोई भी हानिकारक पदार्थ शामिल नहीं है।

SPECIFICATIONS

Product specifications may be changed without prior notice due to upgrade of product functions.
For the power supply and power consumption, refer to the label attached to the product.

| | | | | |
|---------------------------|--------------------|--|--|--|
| MODELS | | 22CS46** | 26CS46** | 32CS46** |
| | | 22CS460-TA 22CS460Y-TA 22CS461-TB 22CS461Y-TB | 26CS460-TA 26CS460Y-TA 26CS461-TB 26CS461Y-TB | 32CS460-TA 32CS460Y-TA 32CS461-TB 32CS461Y-TB |
| Dimensions (W x H x D) | With stand (mm) | 539.0 x 400.0 x 165.0 | 663.0 x 483.0 x 197.0 | 794.0 x 565.0 x 207.0 |
| | Without stand(mm) | 539.0 x 345.0 x 56.8 | 663.0 x 424.0 x 72.8 | 794.0 x 504.0 x 73.5 |
| Weight | With stand (kg) | 4.2 | 7.4 | 9.0 |
| | Without stand (kg) | 3.9 | 6.6 | 8.0 |
| Power requirement | | AC 100-240 V~ 50 / 60 Hz | AC 100-240 V~ 50 / 60 Hz | AC 100-240 V~ 50 / 60 Hz |
| MODELS | | 42CS46** | 22CS47** | 26CS47** |
| | | 42CS460-TA 42CS460Y-TA 42CS461-TB 42CS461Y-TB | 22CS470-TA 22CS471-TB | 26CS470-TA 26CS471-TB |
| Dimensions (W x H x D) | With stand (mm) | 1017.0 x 695.0 x 261.0 | 539.0 x 400.0 x 165.0 | 663.0 x 483.0 x 197.0 |
| | Without stand(mm) | 1017.0 x 629.0 x 76.5 | 539.0 x 345.0 x 56.8 | 663.0 x 424.0 x 72.8 |
| Weight | With stand (kg) | 15.1 | 4.2 | 7.4 |
| | Without stand (kg) | 13.5 | 3.9 | 6.6 |
| Power requirement | | AC 100-240 V~ 50 / 60 Hz | AC 100-240 V~ 50 / 60 Hz | AC 100-240 V~ 50 / 60 Hz |
| MODELS | | 32CS47** | 42CS47** | 32LS340* |
| | | 32CS470-TA 32CS471-TB | 42CS470-TA 42CS471-TB | 32LS3400-TA 32LS340Y-TA |
| Dimensions (W x H x D) | With stand (mm) | 794.0 x 565.0 x 207.0 | 1017.0 x 695.0 x 261.0 | 795.0 x 566.0 x 207.0 |
| | Without stand(mm) | 794.0 x 504.0 x 73.5 | 1017.0 x 629.0 x 76.5 | 795.0 x 504.0 x 73.5 |
| Weight | With stand (kg) | 9.0 | 15.1 | 9.1 |
| | Without stand (kg) | 8.0 | 13.5 | 8.1 |
| Power requirement | | AC 100-240 V~ 50 / 60 Hz | AC 100-240 V~ 50 / 60 Hz | AC 100-240 V~ 50 / 60 Hz |
| MODELS | | 42LS340* | 32LM34** | 42LM34** |
| | | 42LS3400-TA 42LS340Y-TA | 32LM3400-TB 32LM340Y-TB 32LM3410-TC 32LM341Y-TC | 42LM3400-TB 42LM340Y-TB 42LM3410-TC 42LM341Y-TC 42LM3450-TC 42LM345Y-TC |
| Dimensions (W x H x D) | With stand (mm) | 1018.0 x 696.0 x 261.0 | 795.0 x 566.0 x 207.0 | 1018.0 x 696.0 x 261.0 |
| | Without stand(mm) | 1018.0 x 629.0 x 76.5 | 795.0 x 504.0 x 73.5 | 1018.0 x 629.0 x 76.5 |
| Weight | With stand (kg) | 14.7 | 9.1 | 14.7 |
| | Without stand (kg) | 13.1 | 8.1 | 13.1 |
| Power requirement | | AC 100-240 V~ 50 / 60 Hz | AC 100-240 V~ 50 / 60 Hz | AC 100-240 V~ 50 / 60 Hz |

| MODELS | | 32LS345* | 42LS345* | 32LS341* |
|---------------------------|--------------------|----------------------------|----------------------------|--------------------------|
| | | 32LS3450-TA 32LS345Y-TA | 42LS3450-TA 42LS345Y-TA | 32LS341C-TA |
| Dimensions (W x H x D) | With stand (mm) | 738.0 x 501.0 x 185.0 | 972.0 x 635.0 x 212.0 | 738.0 x 501.0 x 185.0 |
| | Without stand(mm) | 738.0 x 438.0 x 86.0 | 972.0 x 571.0 x 86.0 | 738.0 x 438.0 x 86.0 |
| Weight | With stand (kg) | 7.5 | 11.8 | 7.5 |
| | Without stand (kg) | 6.9 | 10.7 | 6.9 |
| Power requirement | | AC 100-240 V~ 50 / 60 Hz | AC 100-240 V~ 50 / 60 Hz | AC 100-240 V~ 50 / 60 Hz |
| MODELS | | 42LS341* | | |
| | | 42LS341C-TA | | |
| Dimensions (W x H x D) | With stand (mm) | 972.0 x 635.0 x 212.0 | | |
| | Without stand(mm) | 972.0 x 571.0 x 86.0 | | |
| Weight | With stand (kg) | 11.8 | | |
| | Without stand (kg) | 10.7 | | |
| Power requirement | | AC 100-240 V~ 50 / 60 Hz | | |

| | | |
|--------------------------|-----------------------|-----------------|
| Environment condition | Operating Temperature | 0 °C to 40 °C |
| | Operating Humidity | Less than 80 % |
| | Storage Temperature | -20 °C to 60 °C |
| | Storage Humidity | Less than 85 % |

| | | Digital TV | Analogue TV |
|---|----------------------------|-------------------------------|--|
| New Zealand, Singapore | Television System | DVB-T | PAL/SECAM-B/G/D/K, PAL-I |
| | Programme Coverage | UHF 21 to 69 | BG : VHF/UHF 1 to 69, CATV 01 to 47 I : VHF/UHF 1 to 69, CATV 01 to 47 DK : VHF/UHF 1 to 69, CATV 01 to 47 |
| Australia | Television System | DVB-T | PAL B/B |
| | Programme Coverage | VHF 06 to 12, UHF 27 to 69 | B/B : VHF/UHF 0 to 75, CATV : 2 to 44 |
| Indonesia, Israel, Myanmar, Sri Lanka | Television System | DVB-T | PAL/SECAM-B/G/D/K, PAL-I, NTSC-M |
| | Programme Coverage | UHF 21 to 69 | BG : VHF/UHF 1 to 69, CATV 01 to 47 I : VHF/UHF 1 to 69, CATV 01 to 47 DK : VHF/UHF 1 to 69, CATV 01 to 47 M : VHF/UHF 2 to 78, CATV 01 to 71 |
| Vietnam, Malaysia | Television System | DVB-T | PAL/SECAM-B/G/D/K, PAL-I, NTSC-M |
| | Programme Coverage | VHF 6 to 12, UHF 21 to 69 | BG : VHF/UHF 1 to 69, CATV 01 to 47 I : VHF/UHF 1 to 69, CATV 01 to 47 DK : VHF/UHF 1 to 69, CATV 01 to 47 M : VHF/UHF 2 to 78, CATV 01 to 71 |
| Iran, Algeria, Tunisia, Digital model | Television System | DVB-T | PAL/SECAM-B/G/D/K, PAL-I, NTSC-M |
| | Programme Coverage | VHF 5 to 12, UHF 21 to 69 | BG : VHF/UHF 1 to 69, CATV 01 to 47 I : VHF/UHF 1 to 69, CATV 01 to 47 DK : VHF/UHF 1 to 69, CATV 01 to 47 M : VHF/UHF 2 to 78, CATV 01 to 71 |
| Analogue model, India, Thailand, South Africa, -- | Television System | - | PAL/SECAM-B/G/D/K, PAL-I, NTSC-M |
| | Programme Coverage | - | BG : VHF/UHF 1 to 69, CATV 01 to 47 I : VHF/UHF 1 to 69, CATV 01 to 47 DK : VHF/UHF 1 to 69, CATV 01 to 47 M : VHF/UHF 2 to 78, CATV 01 to 71 |
| | External Antenna Impedance | 75 Ω | 75 Ω |

HDMI-DTV supported mode

| Resolution | Horizontal Frequency (kHz) | Vertical Frequency (Hz) |
|------------|----------------------------|-------------------------|
| 720x480 | 31.469 | 59.94 |
| | 31.5 | 60 |
| 720x576 | 31.25 | 50 |
| 1280x720 | 37.5 | 50 |
| | 44.96 | 59.94 |
| | 45 | 60 |
| 1920x1080 | 33.72 | 59.94 |
| | 33.75 | 60 |
| | 28.125 | 50 |
| | 26.97 | 23.97 |
| | 27 | 24 |
| | 33.716 | 29.976 |
| | 33.75 | 30.00 |
| | 56.25 | 50 |
| | 67.43 | 59.94 |
| 67.5 | 60 | |

Component port connecting information

| Component ports on the TV | Y | P _B | P _R |
|---------------------------|---|----------------|----------------|
|---------------------------|---|----------------|----------------|

| Video output ports on DVD player | Y | P _B | P _R |
|----------------------------------|---|----------------|----------------|
| | Y | B-Y | R-Y |
| | Y | Cb | Cr |
| | Y | Pb | Pr |

| Signal | Component |
|------------|---------------------------|
| 480i/576i | O |
| 480p/576p | O |
| 720p/1080i | O |
| 1080p | O (50 Hz / 60 Hz only) |

3D supported mode (Only 3D model)

| Input | Signal | Resolution | Horizontal Frequency (kHz) | Vertical Frequency (Hz) | Playable 3D video format |
|-------|-------------|------------|----------------------------|-------------------------|---|
| HDMI | 720p | 1280x720 | 89.9 / 90 / 75 | 59.94 / 60 / 50 | Frame packing (720 60p) |
| | | | 45 / 37.5 | 60 / 50 | Side by Side(half), Top & Bottom |
| | 1080i | 1920X1080 | 33.7 / 28.125 | 60 / 50 | Side by Side(half), Top & Bottom |
| | 1080p | 1920X1080 | 53.95 / 54 | 23.98 / 24 | Frame packing (1080 24p) |
| | | | 67.5 / 56.3 | 60 / 50 | "Side by Side, Top & Bottom, Single Frame Sequential" |
| | | | 27 | 24 | Side by Side(half), Top & Bottom |
| | | | 33.7 | 30 | Side by Side(half), Top & Bottom |
| USB | 1080p | 1920X1080 | 33.75 | 30 | Side by Side, Top & Bottom, MPO(Photo), JPS(Photo) |
| | Signal | | | | Playable 3D video format |
| DTV | 720p, 1080i | | | | Side by Side, Top & Bottom |



Record the model number and serial number of the TV.
Refer to the label on the back cover and quote this information to your dealer when requiring any service.

MODEL _____

SERIAL _____

(Only DTV)

DVB[®]
Digital Video
Broadcasting