



**LG**

Life's Good

ENGLISH

# OWNER'S MANUAL

# LED TV

LG LED TV applies LCD screen with LED backlights.

Please read this manual carefully before operating the your TV and retain it for future reference.


24LN4510


29LN4510

Always comply with the following precautions to avoid dangerous situations and ensure peak performance of your product.



TO REDUCE THE RISK OF ELECTRIC SHOCK DO NOT REMOVE COVER (OR BACK). NO USER SERVICEABLE PARTS INSIDE. REFER TO QUALIFIED SERVICE PERSONNEL.

 The lightning flash with arrowhead symbol, within an equilateral triangle, is intended to alert the user to the presence of uninsulated "dangerous voltage" within the product's enclosure that may be of sufficient magnitude to constitute a risk of electric shock to persons.

 The exclamation point within an equilateral triangle is intended to alert the user to the presence of important operating and maintenance (servicing) instructions in the literature accompanying the appliance.

**WARNING/CAUTION**  
- TO REDUCE THE RISK OF FIRE AND ELECTRIC SHOCK, DO NOT EXPOSE THIS PRODUCT TO RAIN OR MOISTURE.

 **WARNING**

If you ignore the warning message, you may be seriously injured or there is a possibility of accident or death.

 **CAUTION**

If you ignore the caution message, you may be slightly injured or the product may be damaged.

 **NOTE**

The note helps you understand and use the product safely. Please read the note carefully before using the product.

**WARNING:** This product contains chemicals known to the State of California to cause cancer and birth defects or other reproductive harm.

**Wash hands after handling.**

Read these instructions.  
Keep these instructions.  
Heed all warnings.  
Follow all instructions.



- Do not use this apparatus near water.



- Clean only with a dry cloth.



- Do not block any ventilation openings. Install in accordance with the manufacturer's instructions.



- Do not install near any heat sources such as radiators, heat registers, stoves, or other apparatus (including amplifiers) that produce heat.



- Do not defeat the safety purpose of the polarized or grounding-type plug. A polarized plug has two blades with one wider than the other. A grounding type plug has two blades and a third grounding prong. The wide blade or the third prong are provided for your safety. If the provided plug does not fit into your outlet, consult an electrician for replacement of the obsolete outlet (Can differ by country).



- Do not press strongly upon the panel with a hand or a sharp object such as a nail, pencil or pen, or make a scratch on it.



- Protect the power cord from being walked on or pinched particularly at plugs, convenience receptacles, and the point where they exit from the apparatus.



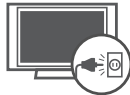
- Only use attachments/accessories specified by the manufacturer.



- Use only with a cart, stand, tripod, bracket, or table specified by the manufacturer, or sold with the apparatus. When a cart is used, use caution when moving the cart/apparatus combination to avoid injury from tip-over.



- Unplug this apparatus during lightning storms or when unused for long periods of time.



- Refer all servicing to qualified service personnel. Servicing is required when the apparatus has been damaged in any way, such as power-supply cord or plug is damaged, liquid has been spilled or objects have fallen into the apparatus, the apparatus has been exposed to rain or moisture, does not operate normally, or has been dropped.



- Do not stick metal objects or any other conductive material into the power cord. Do not touch the end of the power cord while it is plugged in.
- Keep the packing anti-moisture material or vinyl packing out of the reach of children. Anti-moisture material is harmful if swallowed. If swallowed by mistake, force the patient to vomit and visit the nearest hospital. Additionally, vinyl packing can cause suffocation. Keep it out of the reach of children.

- CAUTION concerning the Power Cord (Can differ by country):

It is recommended that appliances be placed upon a dedicated circuit; that is, a single outlet circuit which powers only that appliance and has no additional outlets or branch circuits. Check the specification page of this owner's manual to be certain. Do not connect too many appliances to the same AC power outlet as this could result in fire or electric shock. Do not overload wall outlets. Overloaded wall outlets, loose or damaged wall outlets, extension cords, frayed power cords, or damaged or cracked wire insulation are dangerous. Any of these conditions could result in electric shock or fire.

Periodically examine the cord of your appliance, and if its appearance indicates damage or deterioration, unplug it, discontinue use of the appliance, and have the cord replaced with an exact replacement part by an authorized service. Protect the power cord from physical or mechanical abuse, such as being twisted, kinked, pinched, closed in a door, or walked upon. Pay particular attention to plugs, wall outlets, and the point where the cord exits the appliance. Do not move the TV with the power cord plugged in. Do not use a damaged or loose power cord. Be sure to grasp the plug when unplugging the power cord. Do not pull on the power cord to unplug the TV.



- **Warning** - To reduce the risk of fire or electrical shock, do not expose this product to rain, moisture or other liquids. Do not touch the TV with wet hands. Do not install this product near flammable objects such as gasoline or candles, or expose the TV to direct air conditioning.

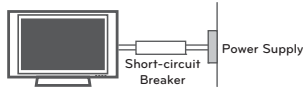


- Do not expose to dripping or splashing and do not place objects filled with liquids, such as vases, cups, etc. on or over the apparatus (e.g. on shelves above the unit).



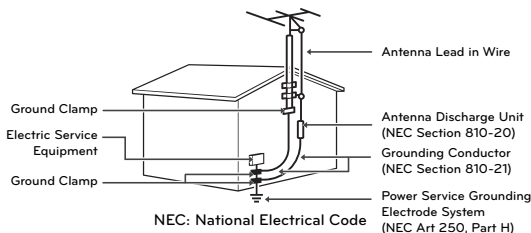
- **Grounding**

(Except for devices which are not grounded.) Ensure that you connect the earth ground wire to prevent possible electric shock (i.e. a TV with a three-prong grounded AC plug must be connected to a three-prong grounded AC outlet). If grounding methods are not possible, have a qualified electrician install a separate circuit breaker. Do not try to ground the unit by connecting it to telephone wires, lightning rods, or gas pipes.



- As long as this unit is connected to the AC wall outlet, it is not disconnected from the AC power source even if the unit is turned off.
- Do not attempt to modify this product in any way without written authorization from LG Electronics. Unauthorized modification could void the user's authority to operate this product.
- **Outdoor Antenna Grounding** (Can differ by country): If an outdoor antenna is installed, follow the precautions below. An outdoor antenna system should not be located in the vicinity of overhead power lines or other electric light or power circuits, or where it can come in contact with such power lines or circuits as death or serious injury can occur. Be sure the antenna system is grounded so as to provide some protection against voltage surges and built-up static charges. Section 810 of the National Electrical Code (NEC) in the U.S.A. provides information with respect to proper grounding of the mast and supporting structure, grounding of the lead-in wire to an antenna discharge unit, size of grounding conductors, location of antenna discharge unit, connection to grounding electrodes and requirements for the grounding electrode.

**Antenna grounding according to the National Electrical Code, ANSI/NFPA 70**



- **Cleaning**

When cleaning, unplug the power cord and wipe gently with a soft cloth to prevent scratching. Do not spray water or other liquids directly on the TV as electric shock may occur. Do not clean with chemicals such as alcohol, thinners or benzine.

- **Moving**

Make sure the product is turned off, unplugged and all cables have been removed. It may take 2 or more people to carry larger TVs. Do not press or put stress on the front panel of the TV.

- **Ventilation**

Install your TV where there is proper ventilation. Do not install in a confined space such as a bookcase. Do not cover the product with cloth or other materials while plugged. Do not install in excessively dusty places.

- If you smell smoke or other odors coming from the TV, unplug the power cord and contact an authorized service center.
- Keep the product away from direct sunlight.
- Never touch this apparatus or antenna during a thunder or lightning storm.
- When mounting a TV on the wall, make sure not to install the TV by hanging the power and signal cables on the back of the TV.
- Do not allow an impact shock or any objects to fall into the product, and do not drop anything onto the screen.
- **Disconnecting the Main Power**  
The power outlet used with this device must remain easily accessible.
- Store the accessories (battery, etc.) in a safe location out of the reach of children.
- This apparatus use batteries. In your community there might be regulations that require you to dispose of these batteries properly due to environmental considerations. Please contact your local authorities for disposal or recycling information.
- Do not dispose of batteries in a fire.
- Do not short circuit, disassemble or allow the batteries to overheat.

**• Dot Defect**

The Plasma or LCD panel is a high technology product with resolution of two million to six million pixels. In a very few cases, you could see fine dots on the screen while you're viewing the TV. Those dots are deactivated pixels and do not affect the performance and reliability of the TV.

**• Generated Sound**

**"Cracking" noise:** A cracking noise that occurs when watching or turning off the TV is generated by plastic thermal contraction due to temperature and humidity. This noise is common for products where thermal deformation is required.

**Electrical circuit humming/panel buzzing:** A low level noise is generated from a high-speed switching circuit, which supplies a large amount of current to operate a product. It varies depending on the product.

This generated sound does not affect the performance and reliability of the product.

- Take care not to touch the ventilation openings. When watching the TV for a long period, the ventilation openings may become hot. This does not affect the performance of the product or cause defects in the product.
- If the TV feels cold to the touch, there may be a small "flicker" when it is turned on. This is normal, there is nothing wrong with TV. Some minute dot defects may be visible on the screen, appearing as tiny red, green, or blue spots. However, they have no adverse effect on the TV's performance. Avoid touching the LCD screen or holding your finger(s) against it for long periods of time. Doing so may produce some temporary distortion effects on the screen.

**Preventing "Image burn" or "Burn-in" on your TV screen**



- If a fixed image displays on the TV screen for a long period of time, it will be imprinted and become a permanent disfigurement on the screen. This is "image burn" or "burn-in" and not covered by the warranty.
- If the aspect ratio of the TV is set to 4:3 for a long period of time, image burn may occur on the letterboxed area of the screen.
- Avoid displaying a fixed image on the TV screen for a long period of time (2 or more hours for LCD, 1 or more hours for the Plasma TV) to prevent image burn.

**For USA and Canada**

**FCC NOTICE**

This equipment has been tested and found to comply with the limits for a Class B digital device, pursuant to Part 15 of the FCC Rules. These limits are designed to provide reasonable protection against harmful interference in a residential installation. This equipment generates, uses and can radiate radio frequency energy and, if not installed and used in accordance with the instructions, may cause harmful interference to radio communications. However, there is no guarantee that interference will not occur in a particular installation. If this equipment does cause harmful interference to radio or television reception, which can be determined by turning the equipment off and on, the user is encouraged to try to correct the interference by one or more of the following measures:

- Reorient or relocate the receiving antenna.
- Increase the separation between the equipment and the receiver.
- Connect the equipment to an outlet on a circuit different from that to which the receiver is connected.
- Consult the dealer or an experienced radio/TV technician for help.

This device complies with part 15 of the FCC Rules. Operation is subject to the following two conditions: (1) this device may not cause harmful interference and (2) this device must accept any interference received, including interference that may cause undesired operation of the device.

Any changes or modifications in construction of this device which are not expressly approved by the party responsible for compliance could void the user's authority to operate the equipment.

**NOTE TO CABLE/TV INSTALLER**

This reminder is provided to call the CATV system installer's attention to Article 820-40 of the National Electric Code (U.S.A.). The code provides guidelines for proper grounding and, in particular, specifies that the cable ground shall be connected to the grounding system of the building, as close to the point of the cable entry as practical.

## LICENSES

Supported licenses may differ by model. For more information of the licenses, visit [www.lg.com](http://www.lg.com).



Manufactured under license from Dolby Laboratories. Dolby and the double-D symbol are trademarks of Dolby Laboratories.



The terms HDMI and HDMI High-Definition Multimedia Interface, and the HDMI logo are trademarks or registered trademarks of HDMI Licensing LLC in the United States and other countries.



**ABOUT DIVX VIDEO:** DivX® is a digital video format created by DivX, LLC, a subsidiary of Rovi Corporation. This is an official DivX Certified® device that plays DivX video. Visit [divx.com](http://divx.com) for more information and software tools to convert your files into DivX videos.

**ABOUT DIVX VIDEO-ON-DEMAND:** This DivX Certified® device must be registered in order to play purchased DivX Video-on-Demand (VOD) movies. To obtain your registration code, locate the DivX VOD section in your device setup menu. Go to [vod.divx.com](http://vod.divx.com) for more information on how to complete your registration.

DivX Certified® to play DivX® video up to HD 1080p, including premium content.

DivX®, DivX Certified® and associated logos are trademarks of Rovi Corporation or its subsidiaries and are used under license.

Covered by one or more of the following U.S. patents: 7,295,673; 7,460,668; 7,515,710; 7,519,274

## OPEN SOURCE SOFTWARE NOTICE

To obtain the source code under GPL, LGPL, MPL and other open source licenses, that is contained in this product, please visit '<http://opensource.lge.com>'.

In addition to the source code, all referred license terms, warranty disclaimers and copyright notices are available for download.

LG Electronics will also provide open source code to you on CD-ROM for a charge covering the cost of performing such distribution (such as the cost of media, shipping and handling) upon email request to '[opensource@lge.com](mailto:opensource@lge.com)'. This offer is valid for three (3) years from the date on which you purchased the product.

# TABLE OF CONTENTS

## 2 IMPORTANT SAFETY INSTRUCTIONS

---

## 6 LICENSES

---

## 6 OPEN SOURCE SOFTWARE NOTICE

---

## 8 INSTALLATION PROCEDURE

---

## 8 ASSEMBLING AND PREPARING

---

- 8 Unpacking
- 10 Parts and Buttons
- 11 Lifting and moving the TV
- 12 Setting up the TV
  - 12 - Attaching the stand
  - 14 - Mounting on a table
  - 15 - Tidying cables
  - 15 - Mounting on a wall

## 16 WATCHING TV

---

- 16 Connecting to the AC/DC adapter
- 16 Turning the TV on for the first time

## 17 USING THE USER GUIDE

---

- 17 Using the Remote Control

## 18 MAKING CONNECTIONS

---

- 18 Connecting an antenna
- 19 Connecting to a HD receiver, DVD Player, VCR or Gaming device
  - 19 - HDMI connection
  - 20 - HDMI to DVI connection
  - 21 - Component connection
  - 22 - Composite connection
- 23 Connecting to a USB
- 24 Connecting a PC
  - 24 - HDMI Connection, DVI to HDMI Connection or RGB Connection

## 26 REMOTE CONTROL

---

## 28 MAINTENANCE

---

- 28 Cleaning Your TV
  - 28 - Screen, frame, cabinet and stand
  - 28 - Power cord

## 28 TROUBLESHOOTING

---

## 28 EXTERNAL CONTROL DEVICE SETUP

---

## 29 SPECIFICATIONS

---



### NOTE

- Image shown may differ from your TV.
- Your TV's OSD (On Screen Display) may differ slightly from that shown in this manual.
- The available menus and options may differ from the input source or product model that you are using.
- New features may be added to this TV in the future.

## INSTALLATION PROCEDURE

- 1 Open the package and make sure all the accessories are included.
- 2 Attach the stand to the TV.
- 3 Connect an external device to the TV.

## ASSEMBLING AND PREPARING

### Unpacking

Check your product box for the following items. If there are any missing accessories, contact the local dealer where you purchased your product. The illustrations in this manual may differ from the actual product and accessories.

#### NOTE

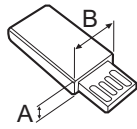
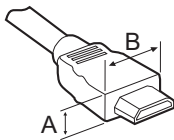
- The accessories supplied with your product may vary depending on the model.
- Product specifications or contents in this manual may be changed without prior notice due to upgrade of product functions.

#### CAUTION

- Do not use any pirated items to ensure the safety and product life span.
- Any damages or injuries by using unapproved or counterfeit parts or accessories are not covered by the warranty.

#### NOTE

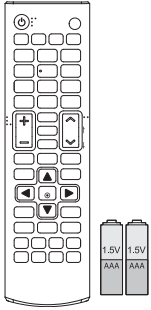
- The items supplied with your product may vary depending on the model.
- Product specifications or contents of this manual may be changed without prior notice due to upgrade of product functions.
- For an optimal connection, HDMI cables and USB devices should have bezels less than 10 mm thick and 18 mm width. Use an extension cable that supports USB 2.0 if the USB cable or USB memory stick does not fit into your TV's USB port.



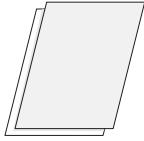
\*A ≦ 10 mm

\*B ≦ 18 mm

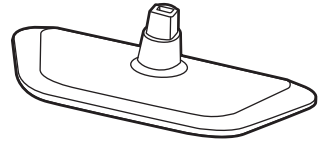




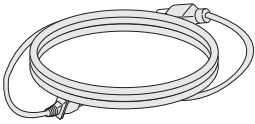
**Remote control  
Batteries (AAA)**  
(See p.26, See p.27)



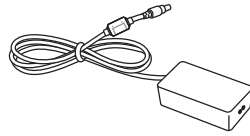
**Owner's Manual /  
Card**



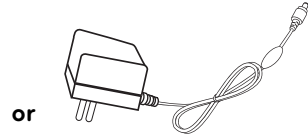
**Stand Base**  
(See p.12)



**Power Cord**  
(Depending on the country)  
(See p.16)



**AC-DC Adapter**  
(See p.16)

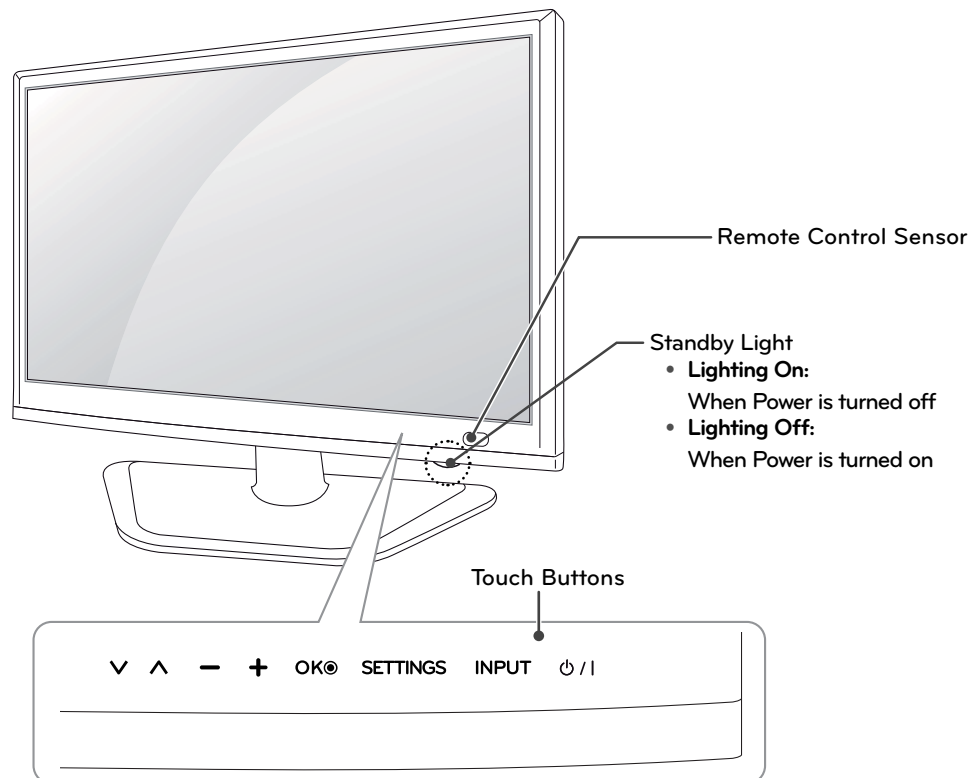


**AC-DC Adapter**  
(Depending on the country)  
(See p.16)



**Cable Tie**  
(See p.15)

## Parts and Buttons



Touch button	Description
▼ ▲	Scrolls through the saved channels.
- +	Adjusts the volume level.
OK	Selects the highlighted menu option or confirms an input.
SETTINGS	Accesses the main menus, or saves your input and exits the menus.
INPUT	Changes the input source.
⏻ / ⏷	Turns the power on or off.

**!** NOTE

All of the buttons are touch sensitive and can be operated through simple touch with your finger.

## Lifting and moving the TV

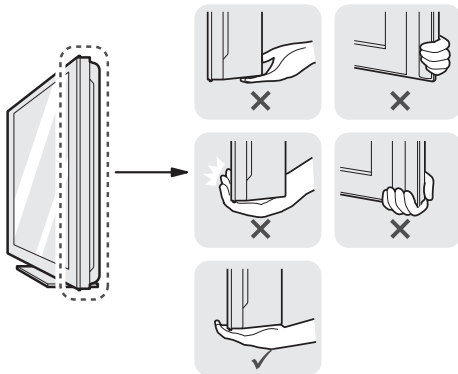
When moving or lifting the TV, read the following to prevent the TV from being scratched or damaged and for safe transportation regardless of its type and size.



### CAUTION

Avoid touching the screen at all times, as this may result in damage to the screen or some of the pixels used to create images.

- It is recommended to move the TV in the box or packing material that the TV originally came in.
- Before moving or lifting the TV, disconnect the power cord and all cables.
- Hold the top and bottom of the TV frame firmly. Make sure not to hold the transparent part, speaker, or speaker grill area.



- When holding the TV, the screen should face away from you to prevent the screen from scratches.



- When transporting the TV, do not expose the TV to jolts or excessive vibration.
- When transporting the TV, keep the TV upright, never turn the TV on its side, or tilt towards the left or right.

## Setting up the TV

Put your TV on a pedestal stand and mount the TV on a table or wall.

### Attaching the stand

If you are not mounting the TV to a wall, use the following instructions to attach the stand.



#### CAUTION

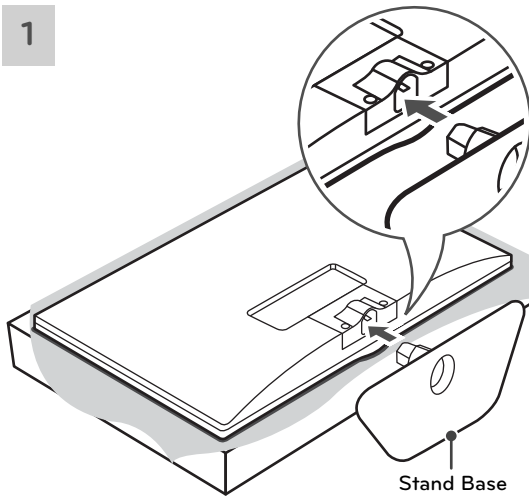
- When attaching the stand to the TV set, place the screen facing down on a cushioned table or flat surface to protect the screen from scratches.
- Make sure that the screws are fastened tightly. (If they are not fastened securely enough, the TV may tilt forward after being installed.)
- Do not tighten the screws with too much force; otherwise they may be damaged and come loose later.



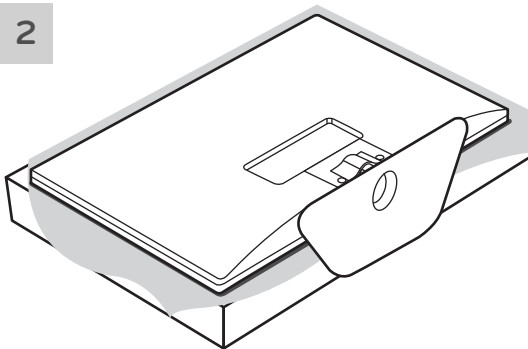
#### NOTE

- Remove the stand before installing the TV on a wall mount by performing the stand attachment in reverse.

1

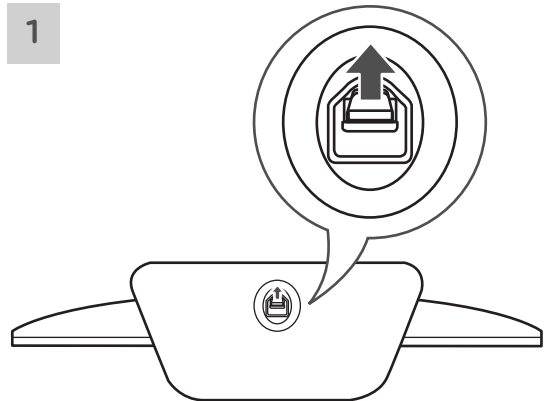


2



To detach the stand,

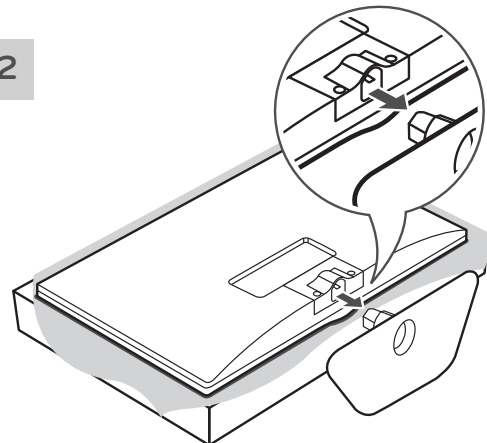
1

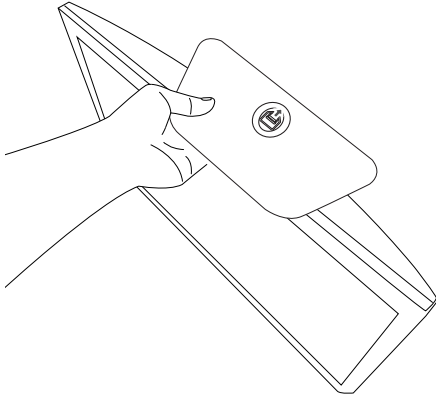


#### NOTE

- Lift up the lever before detaching the stand base.

2



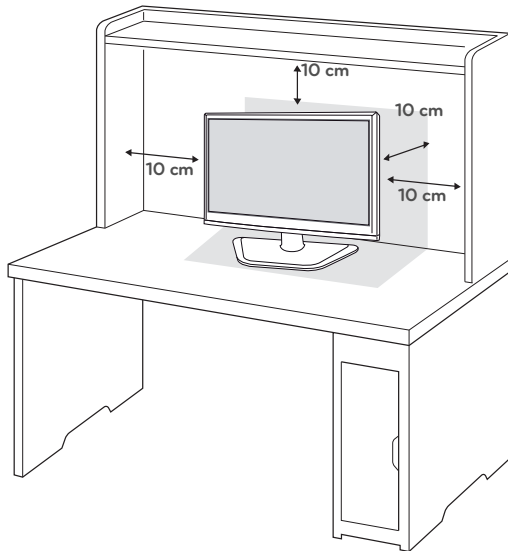
 CAUTION

- Do not carry the TV upside-down as this may cause it to fall off its stand, resulting in damage or injury.
- The illustration shows a general example of installation and may look different from the actual product.

## Mounting on a table

- 1 Lift and tilt the TV into its upright position on a table.

Leave a 10 cm (4 inches) (minimum) space from the wall for proper ventilation.



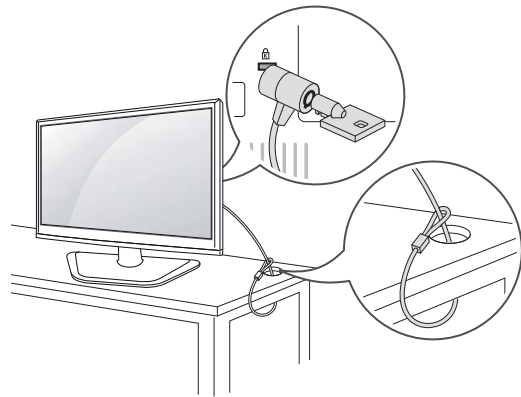
### CAUTION

Disconnect the power cord first, and then move or install the TV. Otherwise electric shock may occur.

## Using the Kensington security system

The Kensington security system connector is located at the back of the TV. For more information of installation and using, refer to the manual supplied with the Kensington security system or visit <http://www.kensington.com>.

Connect the Kensington security system cable between the TV and a table.

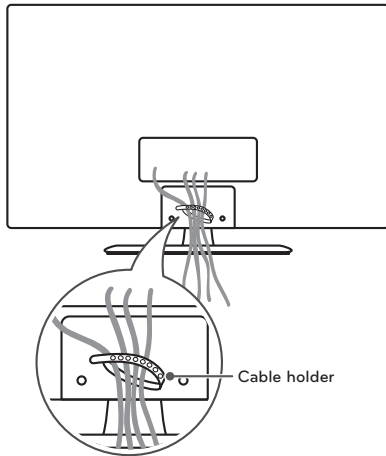


### NOTE

The Kensington security system is optional. You can obtain additional accessories from most electronics stores.

## Tidying cables

Gather and bind the cables with the supplied cable holder.



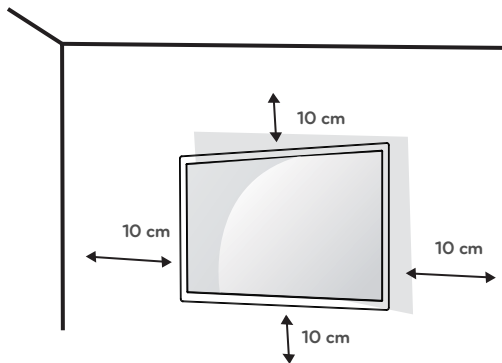
### CAUTION

- Do not move the TV by holding the cable holder, as the cable holders may break, and injuries and damage to the TV may occur.

## Mounting on a wall

An optional wall mount can be used with your LG TV. Consult with your local dealer for a wall mount that supports the VESA standard used by your TV model (listed below).

We recommend that you use an LG brand wall mount when mounting the TV to a wall.



Make sure to use screws and wall mounts that meet the VESA standard. Standard dimensions for the wall mount kits are described in the following table.

<b>VESA (A x B)</b>	100 x 100
<b>Standard screw</b>	M4
<b>Number of screws</b>	4
<b>Wall mount bracket (optional)</b>	RW120

### CAUTION

- Disconnect the power cord first, and then move or install the TV. Otherwise electric shock may occur.
- If you install the TV on a ceiling or slanted wall, it may fall and result in severe injury.
- Use an authorized LG wall mount and contact the local dealer or qualified personnel.
- Do not over tighten the screws as this may cause damage to the TV and void your warranty.
- Use the screws and wall mounts that meet the VESA standard. Any damages or injuries by misuse or using an improper accessory are not covered by the warranty.

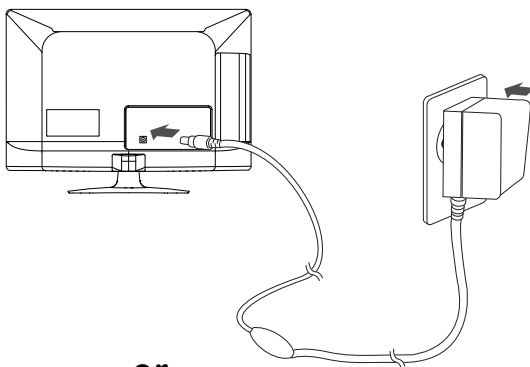
### NOTE

- Use the screws that are listed on the VESA standard screw specifications.
- The wall mount kit includes an installation manual and necessary parts.
- The wall mount bracket is optional. You can obtain additional accessories from your local dealer.
- The length of screws may differ depending on the wall mount. Be sure to use the proper length.
- For more information, refer to the instructions supplied with the wall mount.

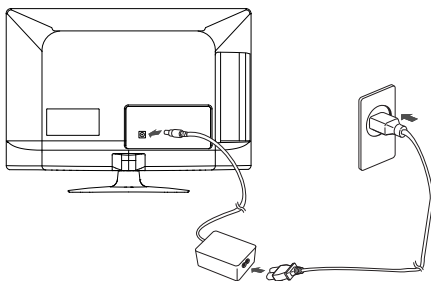
## WATCHING TV

### Connecting to the AC/DC adapter

- 1 Connect the AC/DC adapter plug to the power input jack on the TV.
- 2 Connect the power cord to the AC/DC adapter first, then plug the power cord into the wall power outlet.



or



#### ! CAUTION

Please be sure to connect the TV to the AC/DC power adapter before connecting the TV's power plug to a wall power outlet.

#### ! CAUTION

Do not place the TV near or on sources of heat, as this may result in fire or other damage.

### Turning the TV on for the first time

When you turn the TV on for the first time, the Initial setting screen appears. Select a language and customize the basic settings.

- 1 Connect the power cord to a power outlet.
- 2 In Standby mode, press the **(POWER)** button on the remote control to turn the TV on. The Initial setting screen appears when you turn the TV on for the first time.

#### ! NOTE

You can also access **Initial Setting** by accessing **OPTION** in the main menu.

- 3 Follow the on-screen instructions to customize your TV settings according to your preferences.

<b>Language</b>	Selects a language to display.
↓	
<b>Mode Setting</b>	Selects <b>Home Use</b> for the home environment.
↓	
<b>Power Indicator</b>	Selects the Standby Light. If you select On, the TV turns on the Standby Light in the front panel when the TV is off.
↓	
<b>Time Zone</b>	Selects the time zone and daylight saving.
↓	
<b>User Guide and Tips for FAQ Utilization</b>	Shows how to use User Guide and FAQ.
↓	
<b>Auto Tuning</b>	Scans and saves available channels automatically.

- 4 When the basic settings are complete, press the **OK**.

#### ! NOTE

- If you do not complete the Initial setting, it will appear whenever the TV turns on.
- Disconnect the power cord from the power outlet when you do not use the TV for a long period of time.

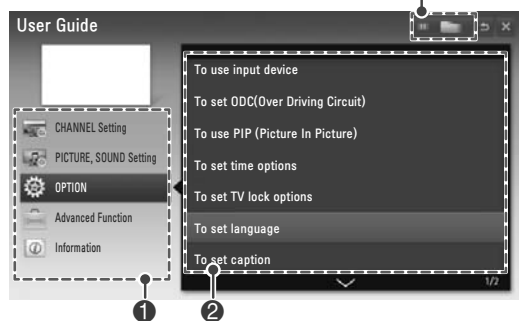
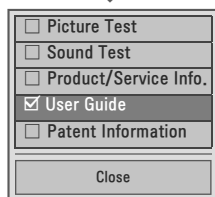
- 5 To turn the TV off, press the **(POWER)** button on the remote control.



# USING THE USER GUIDE

User Guide allows you to easily access detailed TV information.

- 1 Press **SETTINGS** to access the main menus.
- 2 Press the **RED** button to access the **Customer Support** menus.
- 3 Press the Navigation buttons to scroll to **User Guide** and press **OK**.

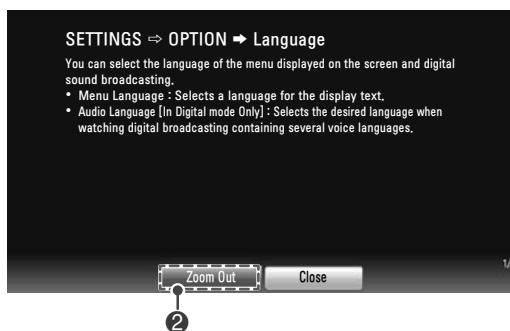
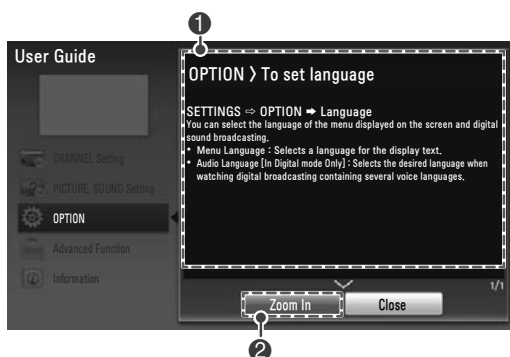


- 1 Guide categories.
- 2 List of topics in the current category. You can use  $\wedge$  /  $\vee$  button to move between pages.
- 3 An index of key words present in the User Guide.

**NOTE**

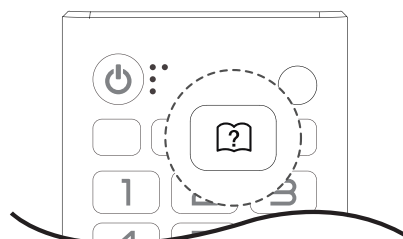
Image shown may differ from your TV.

ENGLISH



- 1 Shows the description of the selected menu. You can use  $\wedge$  /  $\vee$  to move between pages.
- 2 Zooms in or out the screen.

## Using the Remote Control



- 1 Press **?** (**User Guide**) to access the **User Guide**.
- 2 Press the Navigation buttons to scroll to the option you want and press **OK**.
- 3 When you are finished, press **EXIT**. When you return to the previous menu, press **↶ (BACK)**.

## MAKING CONNECTIONS

Connect various external devices to the TV and switch input modes to select an external device. For more information about an external device's connection, refer to the manual supplied with each device. Available external devices are: HD receivers, DVD players, VCRs, audio systems, USB storage devices, PC, camcorders or cameras, gaming devices, and other external devices.

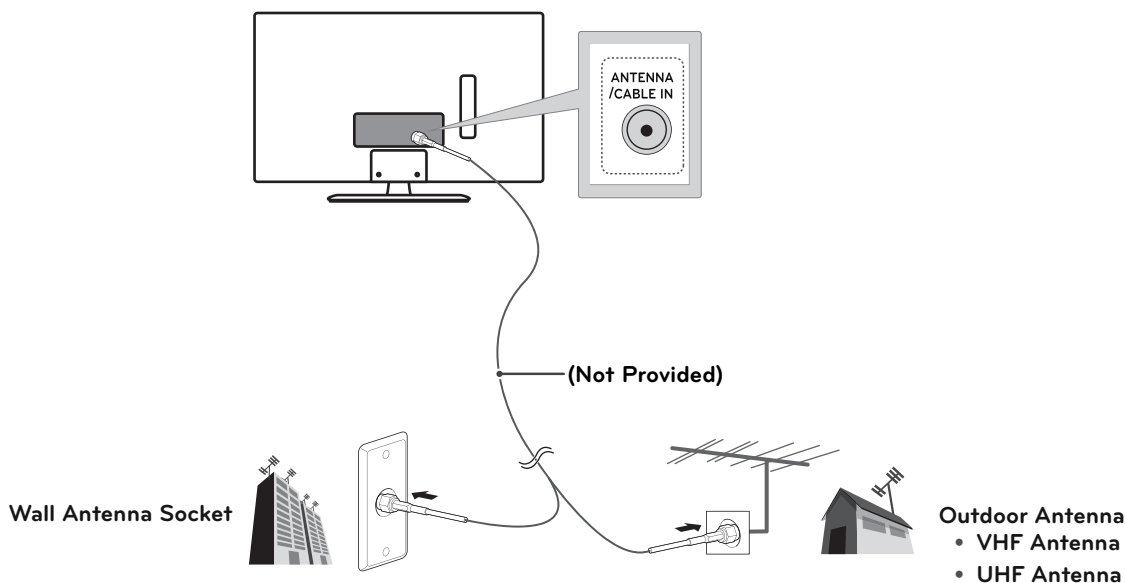
### NOTE

- If you record a TV program on a DVD recorder or VCR, make sure to connect the TV signal input cable to the TV through a DVD recorder or VCR. For more information about recording, refer to the manual supplied with the connected device.
- The external device connection may differ from the model.
- Connect external devices to the TV regardless of the order of the TV port.

### Connecting an antenna

Connect an antenna, cable or cable box to watch TV referring to the following. The illustrations may differ from the actual accessories and an RF cable is optional.

Connect the TV to a wall antenna socket with an RF cable (75  $\Omega$ ).



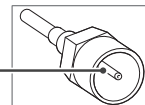
### NOTE

- Use a signal splitter to use more than 2 TVs.
- If the image quality is poor, install a signal amplifier properly to improve the image quality.
- If the image quality is poor with an antenna connected, aim the antenna to the proper direction.
- Visit <http://AntennaWeb.org> for more information about the antenna and cable connection.

### CAUTION

- Make sure not to bend the copper wire of the RF cable.

Copper wire



- Complete all connections instructions between devices, and then connect the power cord to the power outlet to prevent damages to your TV.

## Connecting to a HD receiver, DVD Player, VCR or Gaming device

Connect a HD receiver, DVD Player, VCR or Gaming device to the TV and select an appropriate input mode.

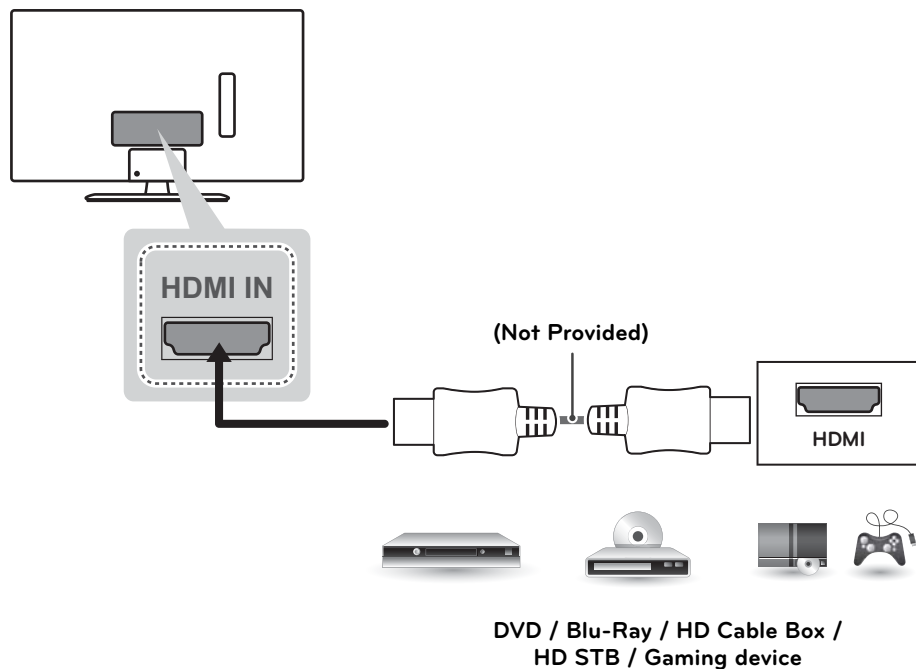
### HDMI connection

#### **HDMI is the best way to connect a device.**

Transmits the digital video and audio signals from an external device to the TV. Connect the external device and the TV with the HDMI cable as shown on the following illustration.

#### **NOTE**

- Use a High Speed HDMI™ Cable.
- High Speed HDMI™ Cables are tested to carry an HD signal up to 1080p and higher.
- Supported DTV Audio: MPEG, Dolby Digital.
- Supported HDMI Audio format: Dolby Digital, PCM (Up to 192 KHz, 32k/44.1k/48k/88k/96k/176k/192k, DTS Not supported.)

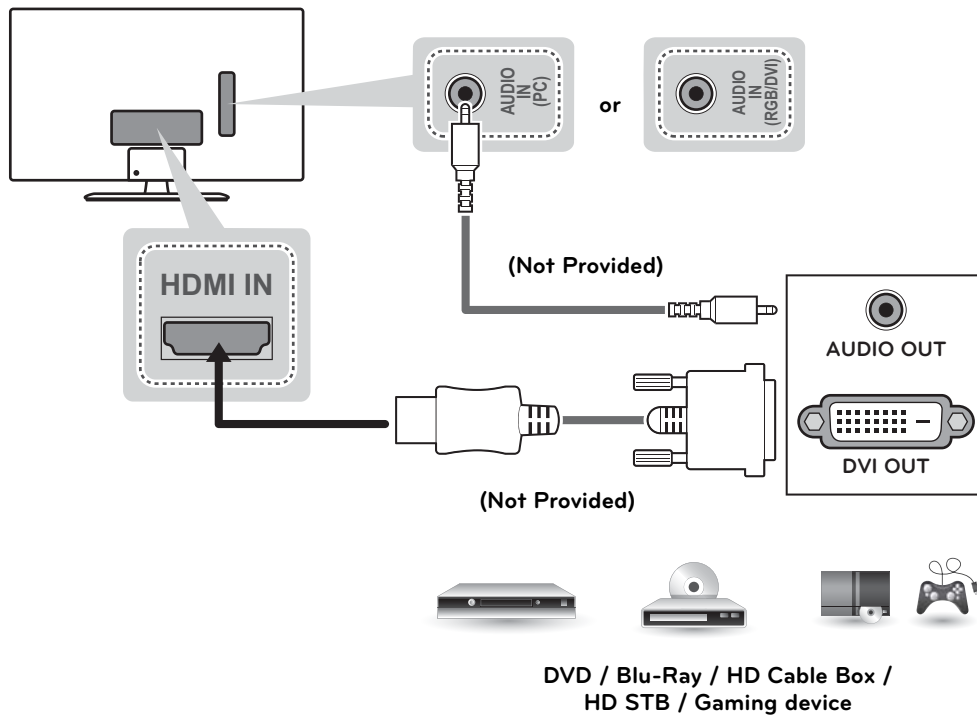


## HDMI to DVI connection

Transmits the digital video signal from an external device to the TV. Connect the external device and the TV with the HDMI to DVI cable as shown in the following illustration. To transmit an audio signal, connect an optional audio cable.

### ! NOTE

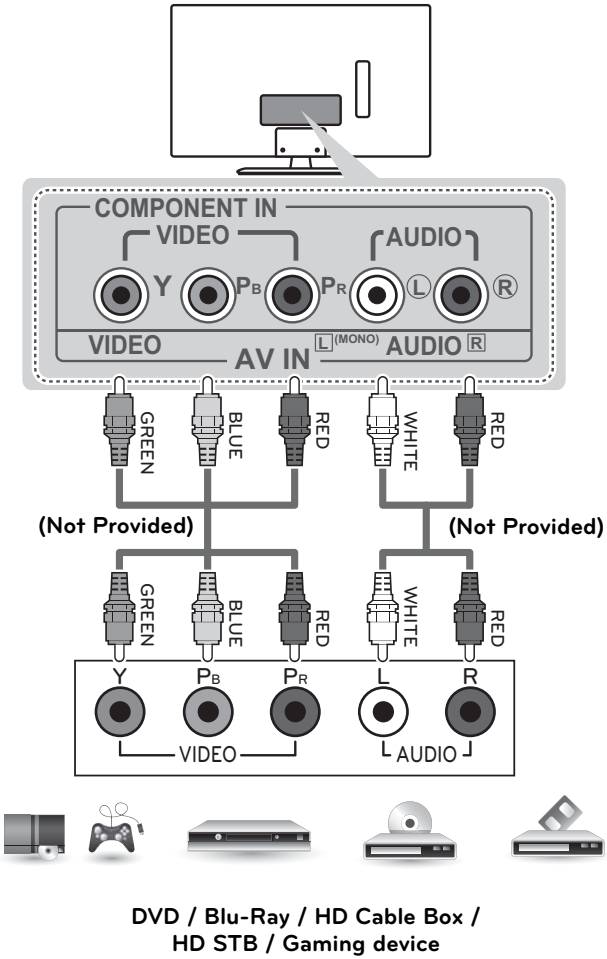
If you do not use an optional external speaker, connect the external device to the TV with the optional audio cable.



### Component connection

Transmits the analog video and audio signals from an external device to the TV. Connect the external device and the TV with the component cable as shown on the following illustration. Component connections support HD, but some devices will not output HD on Component (due to copyright issues).

- ! NOTE**
- If cables are installed incorrectly, it could case the image to display in black and white or with distorted color.
  - **Check to ensure each cable is matched with the corresponding color connection.**

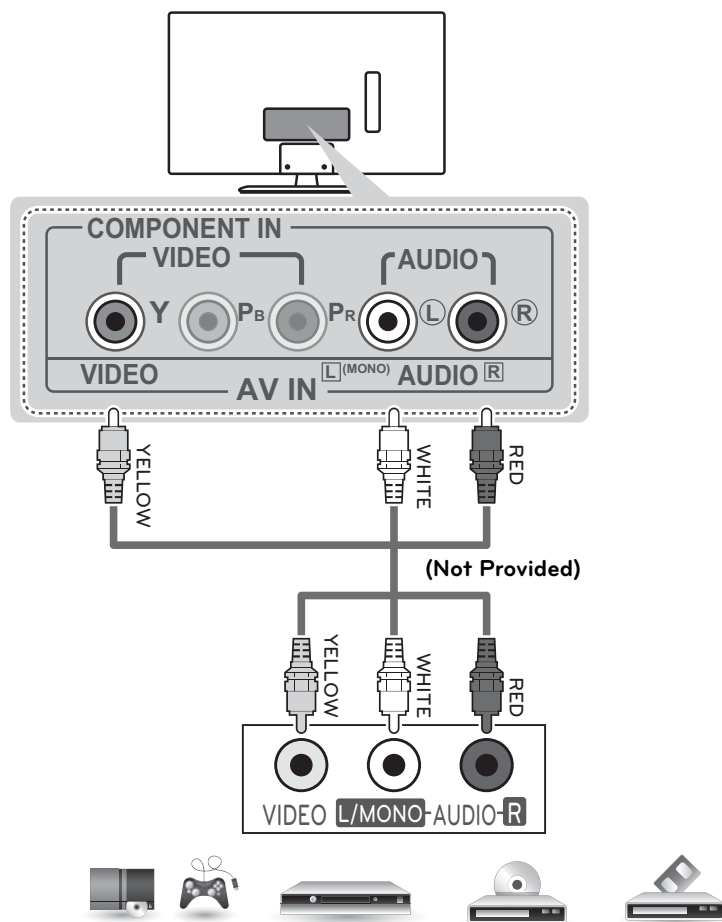


## Composite connection

Transmits the analog video and audio signals from an external device to the TV. Connect the external device and the TV with the composite cable as shown on the following illustration.

### NOTE

Check to ensure each cable is matched with the corresponding color connection.

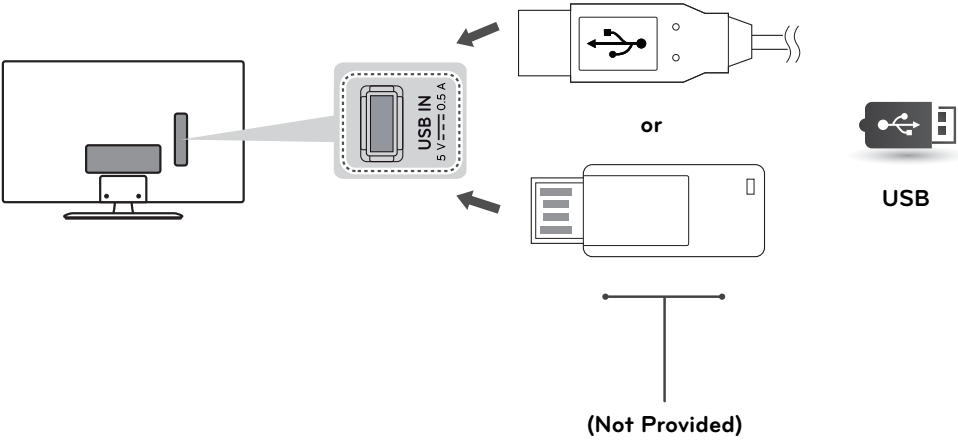


DVD / Blu-Ray / HD Cable Box /  
HD STB / Gaming device

# Connecting to a USB

Connect a USB storage device such as s USB flash memory, external hard drive, MP3 player or a USB memory card reader to the TV and access the USB menu to use various multimedia files.

ENGLISH



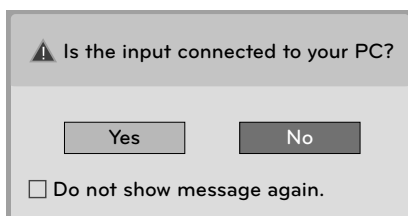
## Connecting a PC

### NOTE

- It is recommended to use an HDMI connection for the best image quality.
- In PC mode, there may be noise associated with the resolution, vertical pattern, contrast or brightness. If noise is present, change the PC output to another resolution, change the refresh rate to another rate or adjust the brightness and contrast on the PICTURE menu until the picture is clear.
- The synchronization input form for Horizontal and Vertical frequencies is separate.
- Depending on the graphics card, some resolution settings may not allow the image to be positioned on the screen properly.

### NOTE

- If you want to use HDMI-PC mode, you must set the input label to PC mode.
- The OSD (On Screen Display) is displayed on the screen as shown below.
- When turning the product on in **HDMI** input.
- When switching to **HDMI** input.



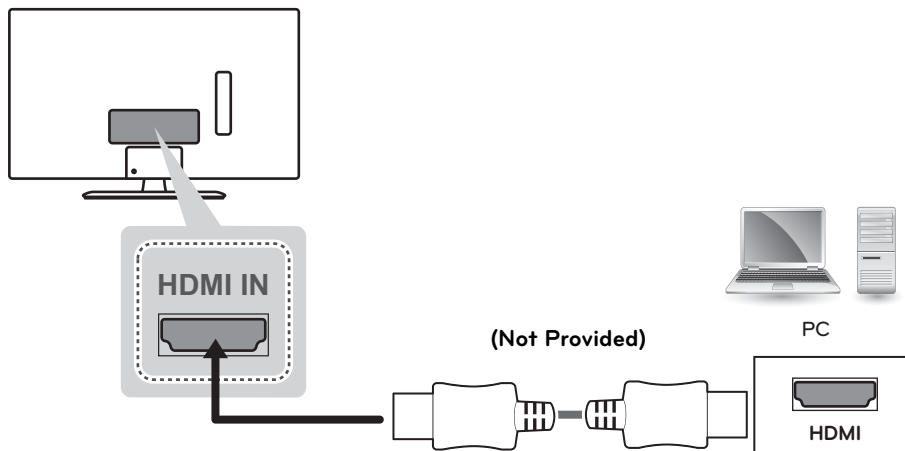
- If you select "Yes" the size and image quality are optimised for your PC.
- If you select "No" the size and image quality are optimised for the AV device (**DVD player, set-top box, gaming device**).
- If you select "Do not show message again" this message does not appear until the TV is reset. You can change the set value in **SETTINGS ► INPUT ► Input Label**.

## HDMI Connection, DVI to HDMI Connection or RGB Connection

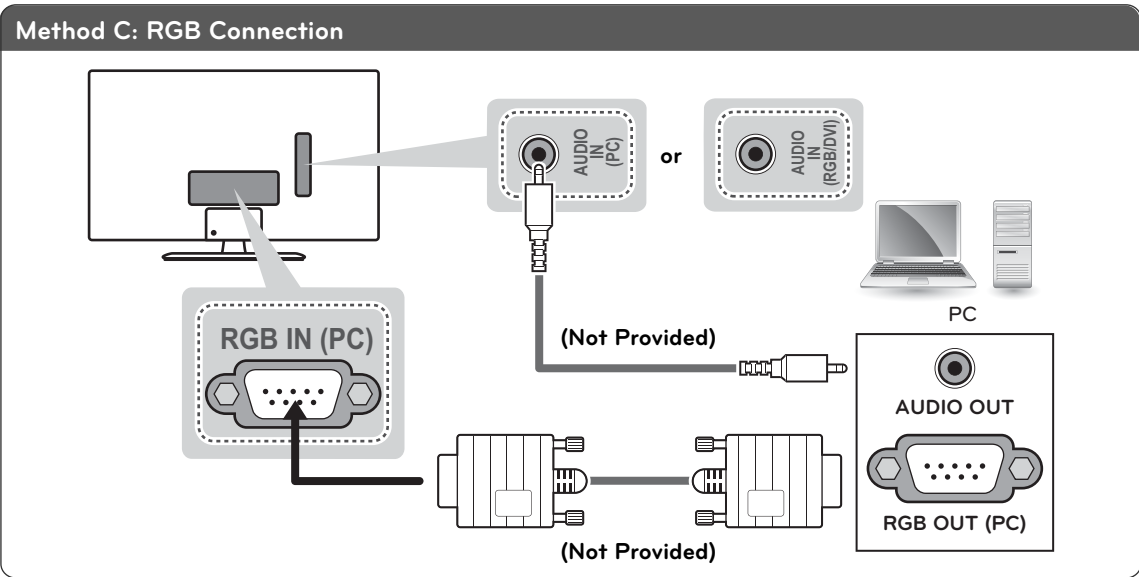
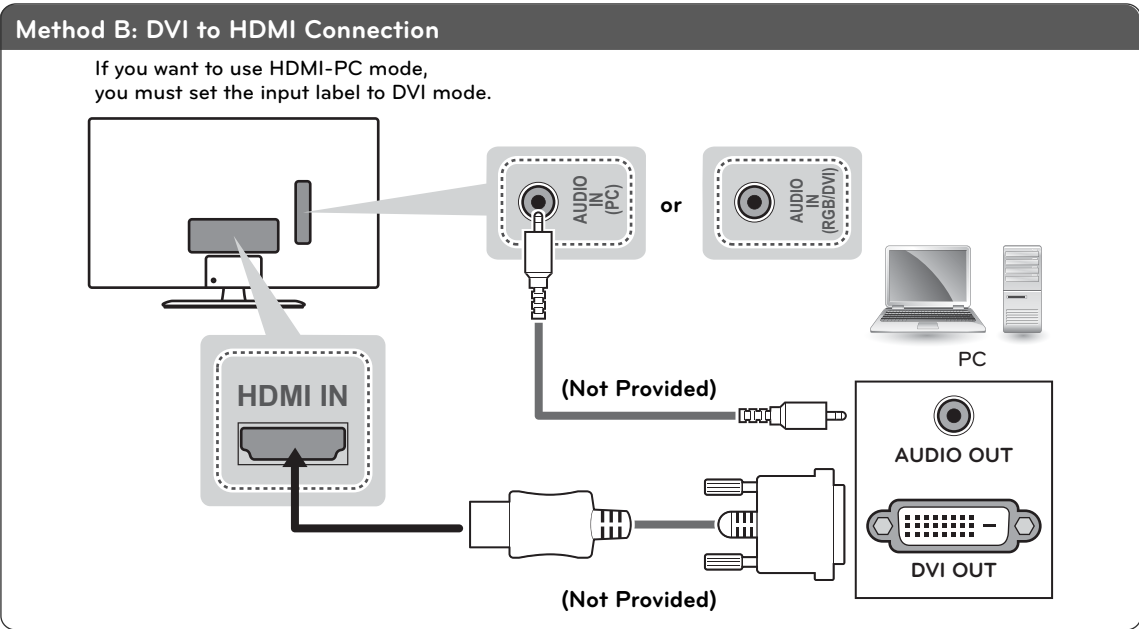
Choose method A, B or C to make connection.

### Method A: HDMI Connection

If you want to use HDMI-PC mode, you must set the input label to PC or DVI mode.







# REMOTE CONTROL

The descriptions in this manual are based on the buttons of the remote control. Please read this manual carefully and use the TV correctly.

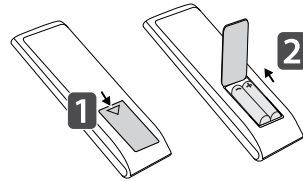
To replace batteries, open the battery cover, replace batteries (1.5 V AAA) matching ⊕ and ⊖ ends to the label inside the compartment, and close the battery cover.

To remove the batteries, perform the installation actions in reverse.

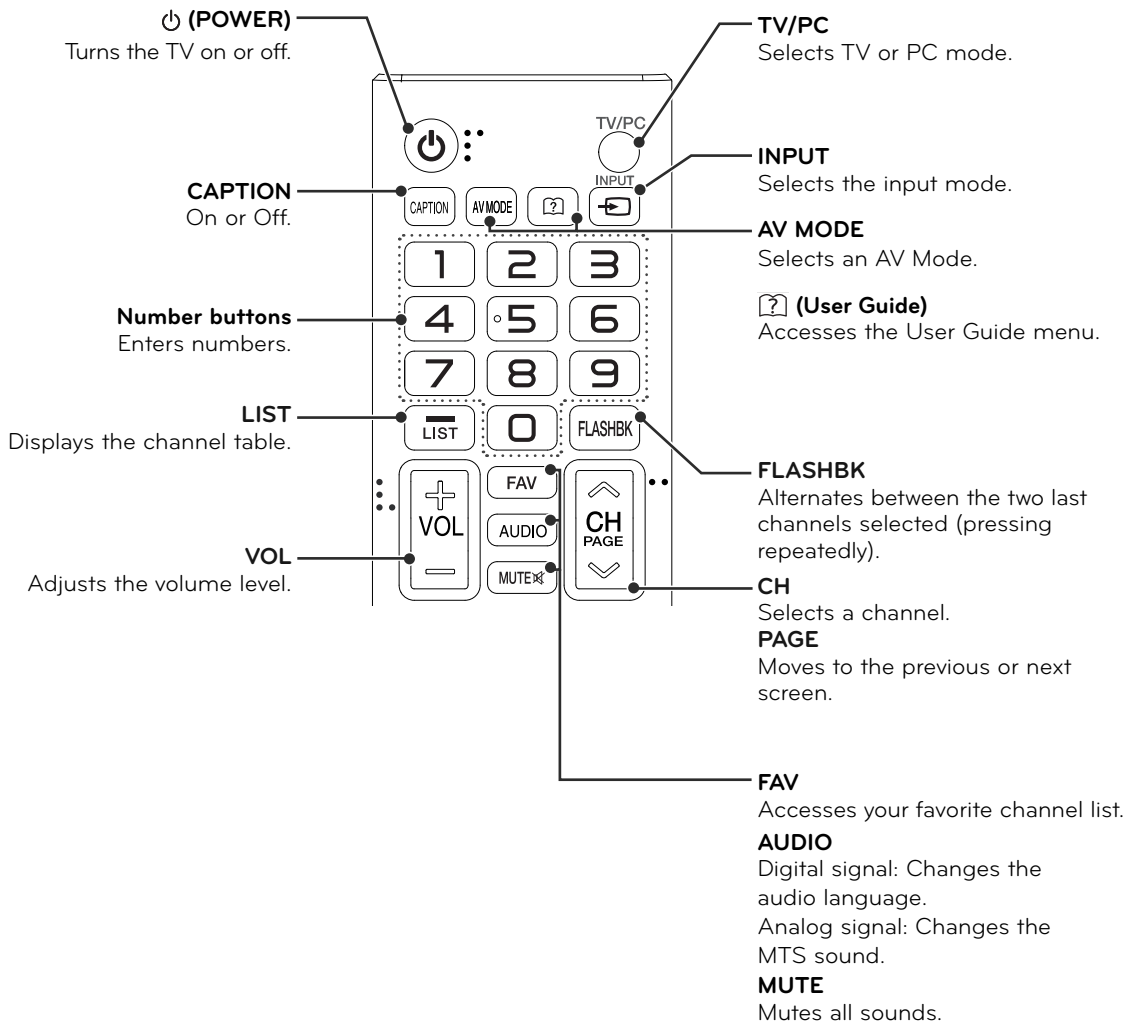


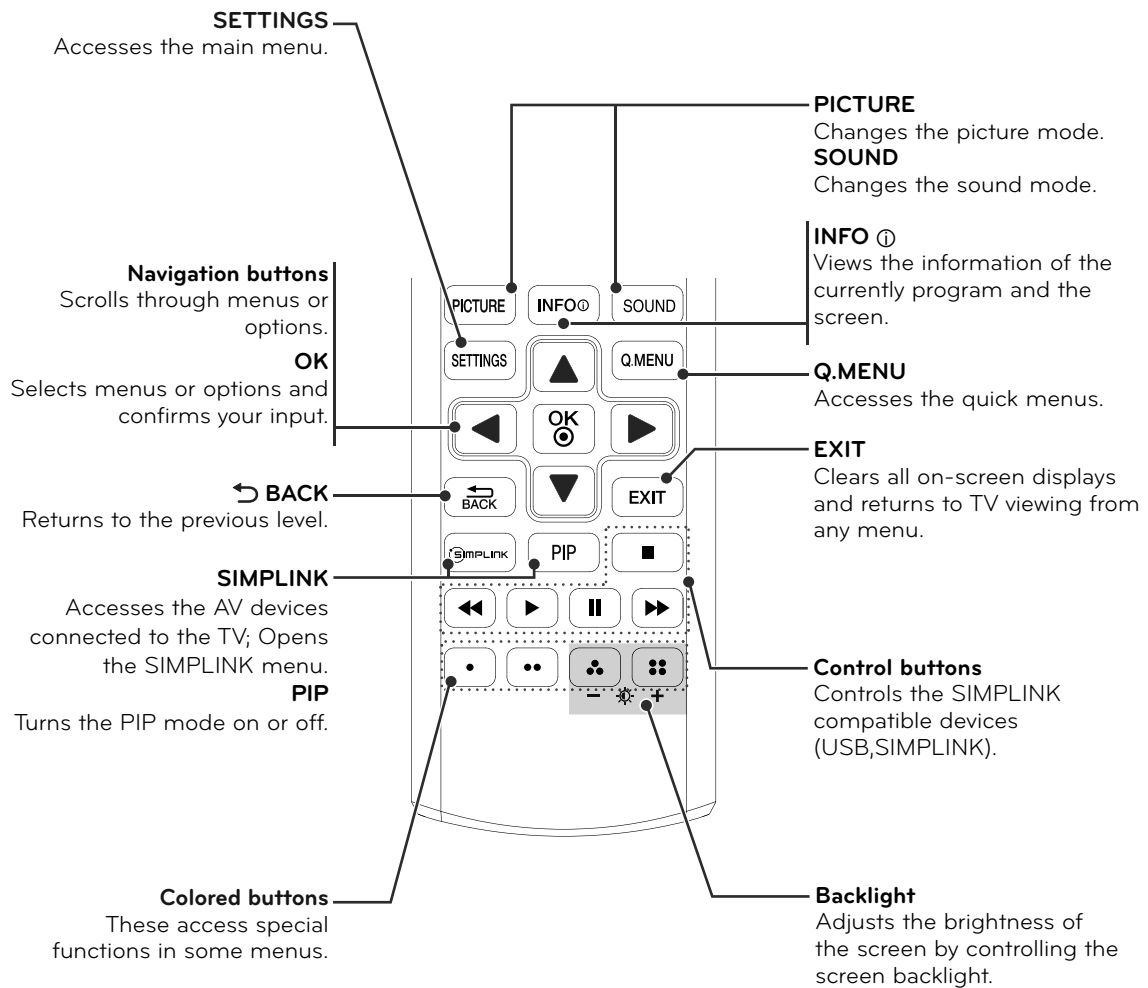
## CAUTION

Do not mix old and new batteries, as this may damage the remote control.



Make sure to point the remote control to the remote control sensor on the TV.  
Image shown may differ from your TV.





## MAINTENANCE

### Cleaning Your TV

Clean your TV regularly to keep it at peak performance and to extend the product lifespan.

#### CAUTION

- Before Cleaning, turn the power off and disconnect the power cord and all other cables.
- When the TV is left unattended or unused for a long time, disconnect the power cord from the wall outlet to prevent possible damage from lightning or power surges.

### Screen, frame, cabinet and stand

To remove dust or light dirt, wipe the surface with a dry, clean, and soft cloth.

To remove major dirt, wipe the surface with a soft cloth dampened in clean water or a diluted mild detergent. Then wipe immediately with a dry cloth.

#### CAUTION

- Do not push, rub, or hit the surface with your fingernail or a sharp object, as this may result in scratches on the screen and image distortions.
- Do not use any chemicals, such as waxes, benzene, alcohol, thinners, insecticides, air fresheners, lubricants, as these may damage the screen's finish and cause discoloration.
- Do not spray liquid onto the surface. If water enters the TV, it may result in fire, electric shock, or malfunction.

### Power cord

Remove the accumulated dust or dirt on the power cord regularly.

## TROUBLESHOOTING

Problem	Solution
Cannot control the TV with the remote control.	<ul style="list-style-type: none"> <li>• Check the remote control sensor on the product and try again.</li> <li>• Check if there is any obstacle between the product and the remote control.</li> <li>• Check if the batteries are still working and properly installed (⊕ to ⊕, ⊖ to ⊖).</li> </ul>
No image display and no sound is produced.	<ul style="list-style-type: none"> <li>• Check if the product is turned on.</li> <li>• Check if the power cord is connected to a wall outlet.</li> <li>• Check if there is a problem in the wall outlet by connecting other products.</li> </ul>
The TV turns off suddenly.	<ul style="list-style-type: none"> <li>• Check the power control settings. The power supply may be interrupted.</li> <li>• Check if the Auto sleep feature is activated in the Time settings.</li> <li>• If there is no signal while the TV is on, the TV will turn off automatically after 15 minutes of inactivity.</li> </ul>

## EXTERNAL CONTROL DEVICE SETUP

To obtain the external control device setup information, please visit '[www.lg.com](http://www.lg.com)'.

# SPECIFICATIONS

ENGLISH

Television System	NTSC-M, ATSC, 64 & 256 QAM
Program Coverage	VHF 2-13, UHF 14-69, CATV 1-135, DTV 2-69, CADTV 1-135

		24LN4510	29LN4510
Panel	Screen Type	24" class Wide (23.6" diagonal) Visible diagonal size : 599 mm	29" class Wide (28.5" diagonal) Visible diagonal size : 723 mm
	Pixel Pitch	0.382 mm (H) x 0.382 mm (V)	0.462 mm (H) x 0.462 mm (V)
Video Signal	Max. Resolution	1366 × 768 @ 60 Hz	
	Recommended Resolution	1366 × 768 @ 60 Hz	
	Horizontal Frequency	30 kHz to 61 kHz	
	Vertical Frequency	56 Hz to 75 Hz	
	Synchronization Type	Separate Sync, Digital	
Input Connector		TV, D-Sub Analog, PC Audio In, Component, AV(CVBS), HDMI, USB	
Power	Rated Voltage	19 V --- 2.0 A	19 V --- 2.4 A
	Power Consumption	On Mode : 33 W (typ.) Off Mode ≤ 0.4 W	On Mode : 40 W (typ.) Off Mode ≤ 0.4 W
AC/DC Adapter		Manufacturer: Lien Chang, Model: LCAP16B-A, LCAP25B	Manufacturer: LG Innotek, Model: PSAB-L101A
		Manufacturer: LG Innotek, Model: PSAB-L205C, PSAB-L204B	Manufacturer: Lite-On, Model: PA-1650-64
Dimensions (Width x Depth x Height) Weight	With Stand		
	556.5 mm x 140.1 mm x 391 mm / 3.7 kg		668.6 mm x 181 mm x 457 mm / 5.9 kg
	Without Stand		
	556.5 mm x 62.3 mm x 343.1 mm / 3.5 kg		668.6 mm x 81.9 mm x 405.5 mm / 5.4 kg
Environmental conditions	Operating Temperature	10 °C to 35 °C	
	Operating Humidity	20 % to 80 %	
	Storage Temperature	-10 °C to 60 °C	
	Storage Humidity	5 % to 90 %	

Product specifications shown above may be changed without prior notice due to upgrade of product functions.

## RGB (PC) / HDMI (PC) supported mode

Resolution	Horizontal Frequency(kHz)	Vertical Frequency(Hz)
720 x 400	31.468	70.080
640 x 480	31.469	59.940
640 x 480	37.500	75.000
800 x 600	37.879	60.317
800 x 600	46.875	75.000
1024 x 768	48.363	60.004
1024 x 768	60.023	75.029
1280 x 800	49.702	59.810
1366 x 768	47.717	59.790

 **NOTE**

- The optimal display resolution is 1366 X 768@60Hz.
- The optimal timing is vertical frequency 60Hz in each mode.

## HDMI (DTV) supported mode

Resolution	Horizontal Frequency(kHz)	Vertical Frequency(Hz)
720 x 480	31.469	59.940
	31.500	60.000
720 x 576	31.250	50.000
1280 x 720	37.500	50.000
1280 x 720	44.960	59.940
	45.000	60.000
1920 x 1080	33.720	59.940
	33.750	60.000
1920 x 1080	28.125	50.000
1920 x 1080	27.000	24.000
1920 x 1080	33.750	30.000
1920 x 1080	56.250	50.000
	67.430	59.940
1920 x 1080	67.500	60.000

## Component supported mode

Resolution	Horizontal Frequency(kHz)	Vertical Frequency(Hz)
720 x 480	15.730	59.940
720 x 480	15.750	60.000
720 x 576	15.625	50.000
720 x 480	31.470	59.940
720 x 480	31.500	60.000
720 x 576	31.250	50.000
1280 x 720	44.960	59.940
1280 x 720	45.000	60.000
1280 x 720	37.500	50.000
1920 x 1080	33.720	59.940
1920 x 1080	33.750	60.000
1920 x 1080	28.125	50.000
1920 x 1080	56.250	50.000
1920 x 1080	67.432	59.940
1920 x 1080	67.500	60.000

## Component port connecting information

Component ports on the TV	Y	P <sub>B</sub>	P <sub>R</sub>
Video output ports on DVD player	Y	P <sub>B</sub>	P <sub>R</sub>
	Y	B-Y	R-Y
	Y	C <sub>b</sub>	C <sub>r</sub>
	Y	P <sub>b</sub>	P <sub>r</sub>

# CHILD SAFETY:

It Makes A Difference How and Where You Use Your Flat Panel Display

**Congratulations on your purchase! As you enjoy your new product, please keep these safety tips in mind:**



## THE ISSUE

- The home theater entertainment experience is a growing trend and larger flat panel displays are popular purchases. However, flat panel displays are not always supported on the proper stands or installed according to the manufacturer's recommendations.
- Flat panel displays that are inappropriately situated on dressers, bookcases, shelves, desks, speakers, chests or carts may fall over and cause injury.

## THIS MANUFACTURER CARES!

- The consumer electronics industry is committed to making home entertainment enjoyable and safe.

## TUNE INTO SAFETY

- One size does NOT fit all. Follow the manufacturer's recommendations for the safe installation and use of your flat panel display.
- Carefully read and understand all enclosed instructions for proper use of this product.
- Don't allow children to climb on or play with furniture and television sets.
- Don't allow place flat panel displays on furniture that can easily be used as steps, such as a chest of drawers.
- Remember that children can become excited while watching a program, especially on a "larger than life" flat panel display. Care should be taken to place or install the display where it cannot be pushed, pulled over, or knocked down.
- Care should be taken to route all cords and cables connected to the flat panel display so that they cannot be pulled or grabbed by curious children.



## WALL MOUNTING: IF YOU DECIDE TO WALL MOUNT YOUR FLAT PANEL DISPLAY, ALWAYS:

- Use a mount that has been recommended by the display manufacturer and/or listed by an independent laboratory (such as UL, CSA, ETL).
- Follow all instructions supplied by the display and wall mount manufacturers.
- If you have any doubts about your ability to safely install your flat panel display, contact your retailer about professional installation.
- Make sure that the wall where you are mounting the display is appropriate. Some wall mounts are not designed to be mounted to walls with steel studs or old cinder block construction. If you are unsure, contact a professional installer.
- A minimum of two people are required for installation. Flat panel displays can be heavy.



**Declaration of Conformity**

Trade Name: LG  
Model : 24LN4510, 29LN4510  
Responsible Party: LG Electronics Inc.  
Address : 1000 Sylvan Ave.  
Englewood Cliffs NJ 07632  
U.S.A  
TEL: 201-266-2534

Make sure to read the Safety Precautions before using the product.  
Keep the Owner's Manual in an accessible place for future reference.  
The model and serial number of the TV is located on the back and one side of the TV. Record it below should you ever need service.

MODEL \_\_\_\_\_

SERIAL \_\_\_\_\_

**LG Customer Information Center**

For inquires or comments, visit [www.lg.com](http://www.lg.com) or call;

**1-800-243-0000**      USA, Consumer User  
**1-888-865-3026**      USA, Commercial User  
**1-888-542-2623**      CANADA

**Register your product Online!**

[www.lg.com](http://www.lg.com)



This product qualifies for ENERGY STAR in the "factory default (Home Use)" setting.

Changing the factory default settings or enabling other features may increase power consumption that could exceed the limits necessary to qualify for ENERGY STAR.





**LG**

Life's Good

FRANÇAIS

# GUIDE D'UTILISATION TÉLÉ À DEL

Veuillez lire ce manuel attentivement avant d'utiliser votre appareil et le conserver pour pouvoir vous y reporter ultérieurement.

24LN4510  
29LN4510

[www.lg.com](http://www.lg.com)


# DIRECTIVES DE SÉCURITÉ IMPORTANTES


Conformez-vous toujours aux précautions suivantes pour éviter des situations dangereuses et assurer une performance optimale de votre appareil.

FRANÇAIS



AFIN DE RÉDUIRE LE RISQUE D'ÉLECTROCUTION, NE PAS RETIRER LE COUVERCLE (OU LE PANNEAU ARRIÈRE). AUCUNE PIÈCE POUVANT ÊTRE RÉPARÉE PAR L'UTILISATEUR NE SE TROUVE À L'INTÉRIEUR. SE REPORTER AU PERSONNEL D'ENTRETIEN QUALIFIÉ.

 Le symbole d'éclair avec une flèche, dans un triangle équilatéral, a pour fonction d'alerter l'utilisateur de la présence de « tension dangereuse » non isolée à l'intérieur du boîtier de l'appareil et qui pourrait être d'une puissance suffisante pour causer une électrocution.

 Le point d'exclamation dans un triangle équilatéral est conçu pour alerter l'utilisateur de la présence d'instructions importantes d'utilisation et de maintenance (entretien) dans la documentation accompagnant l'appareil.

**AVERTISSEMENT/MISE EN GARDE**  
- AFIN DE RÉDUIRE LE RISQUE D'INCENDIE ET D'ÉLECTROCUTION, NE PAS EXPOSER CE PRODUIT À LA PLUIE OU À L'HUMIDITÉ.

## AVERTISSEMENT

Si vous ignorez le message d'avertissement, vous pourriez vous blesser gravement ou causer un accident ou un décès.

## MISE EN GARDE

Si vous ignorez le message de mise en garde, vous pourriez vous blesser légèrement ou endommager le produit.

## REMARQUE

Une lecture attentive de ce message avant utilisation vous permet de mieux comprendre le produit et de l'utiliser de façon sécuritaire.

Lisez ces directives.

Conservez ces directives.

Soyez attentif à tous les avertissements.

Suivez toutes les directives.



- N'utilisez pas cet appareil près de l'eau.



- Nettoyez uniquement avec un linge sec.



- Ne bloquez pas les orifices de ventilation. Installez le produit en respectant les directives du fabricant.



- N'installez pas le produit près de sources de chaleur comme les radiateurs, les bouches de chaleur, les fours et tout autre appareil (y compris les amplificateurs) produisant de la chaleur.



- Ne contournez pas la sécurité de la fiche polarisée ou de la mise à la terre. Une fiche polarisée a deux lames, l'une d'elles étant plus large que l'autre. Une fiche de mise à la terre comporte deux lames et une troisième broche de mise à la terre. La lame plus large ou la troisième broche sont fournies pour votre sécurité. Si la fiche fournie ne s'insère pas dans votre prise, consultez un électricien afin de faire remplacer la prise obsolète (peut varier selon le pays).



- Évitez d'appuyer fortement sur l'écran avec une main ou un objet pointu, comme un ongle, un crayon ou un stylo, et évitez d'égratigner l'écran.



- Protégez le cordon d'alimentation de manière à ce que les personnes ne marchent pas dessus et contre les pincements, particulièrement au niveau de la fiche, des prises de courant et à l'emplacement de sortie du cordon sur l'appareil.



- N'utilisez que les articles connexes ou accessoires recommandés par le fabricant.



- Utilisez uniquement avec un chariot, un pied, une fixation ou une table recommandé par le fabricant ou vendu avec l'appareil. Lorsqu'un chariot est utilisé, faites preuve de prudence lors du déplacement du chariot et de l'écran, afin de prévenir les blessures causées par un basculement.



- Débranchez cet appareil pendant les orages électriques ou lorsqu'il n'est pas utilisé pendant de longues périodes.



- Laissez le personnel qualifié se charger de tous les services d'entretien. Faites appel à un fournisseur de services d'entretien lorsque l'appareil a été endommagé d'une quelconque façon, notamment si la fiche ou le cordon d'alimentation est endommagé, si une substance liquide a été déversée sur l'appareil, si des objets sont tombés dans l'appareil, si l'appareil a été exposé à la pluie ou à l'humidité, s'il cesse de fonctionner correctement ou a été échappé.



- N'insérez pas d'objet métallique ou conducteur dans le câble d'alimentation. Ne touchez pas l'extrémité du cordon d'alimentation lorsqu'il est branché.
- Gardez le matériel anti-humidité et le matériel d'emballage en vinyle hors de la portée des enfants. Le matériel anti-humidité est dangereux pour la santé s'il est avalé. S'il est avalé par erreur, forcez le patient à vomir et rendez-vous à l'hôpital le plus proche. De plus, le matériel d'emballage en vinyle peut entraîner la suffocation. Gardez-le hors de la portée des enfants.

- **AVERTISSEMENT** relatif au cordon d'alimentation (peut varier selon le pays) :  
Il est recommandé de brancher les appareils sur un circuit spécialisé, soit un circuit comportant une seule prise de courant qui alimente seulement cet appareil et ne comporte aucune prise supplémentaire ni aucun circuit de dérivation. Consultez la page des caractéristiques du présent guide d'utilisation pour vous en assurer. Ne branchez pas un trop grand nombre d'appareils dans une même prise d'alimentation c.a.; cela pourrait causer un incendie ou une électrocution. Ne surchargez pas les prises de courant murales. Les prises de courant murales surchargées, les prises de courant murales ou rallonges desserrées ou endommagées, les cordons d'alimentation éraillés ou endommagés et les revêtements de fil fissurés sont dangereux. Chacune de ces conditions peut entraîner des chocs électriques ou provoquer un incendie. Examinez périodiquement le cordon de votre appareil, et si son apparence indique des dommages ou une détérioration, débranchez-le, cessez d'utiliser l'appareil et faites remplacer le cordon par une pièce de remplacement exacte auprès d'un fournisseur de services d'entretien autorisé. Protégez le cordon d'alimentation contre les dommages physiques ou mécaniques. Veillez notamment à ce qu'il ne soit pas tordu, déformé, pincé, coincé dans une porte ou piétiné. Soyez particulièrement attentif aux fiches, aux prises de courant murales et à l'emplacement de sortie du cordon sur l'appareil. Ne déplacez pas le téléviseur avec le cordon d'alimentation branché. N'utilisez pas un cordon d'alimentation endommagé ou desserré. Assurez-vous de saisir la fiche lorsque vous débranchez la prise d'alimentation. Ne tirez pas sur le cordon d'alimentation pour débrancher le téléviseur.



- **Avvertissement** - Afin de réduire le risque d'incendie ou d'électrocution, n'exposez pas ce produit à la pluie, à l'humidité ou à d'autres liquides. Ne touchez pas le téléviseur si vos mains sont mouillées. N'installez pas ce produit près d'objets inflammables comme de l'essence ou des chandelles, ni n'exposez le téléviseur directement à l'air climatisé.

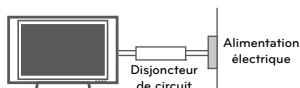


- Le moniteur ne doit être exposé à aucune vaporisation ni éclaboussure, et vous devez éviter d'y poser des objets remplis d'eau, comme des vases (par exemple, sur des tablettes au-dessus de l'appareil).



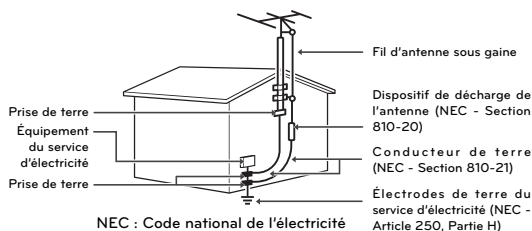
#### • Mise à la masse

(Sauf pour les appareils non mis à la terre.) Assurez-vous de brancher le fil de mise à la masse afin de prévenir tout risque d'électrocution (p. ex., un téléviseur doté d'une fiche c.a. à trois broches avec mise à la masse devrait être branché dans une prise électrique murale c.a. avec mise à la masse). Si la mise à la masse n'est pas possible, un électricien doit installer un disjoncteur de circuit pour la prise. Ne tentez pas de mettre l'appareil à la masse en le raccordant à des câbles téléphoniques, à un paratonnerre ou à des canalisations de gaz.



- Tant que cet appareil est branché sur la prise de courant murale c.a., il n'est pas déconnecté de la source d'alimentation c.a. même s'il est mis hors tension.
- Ne pas tenter de modifier cet appareil d'aucune manière sans avoir obtenu au préalable l'autorisation écrite de LG Electronics. Une modification non autorisée pourrait annuler l'autorisation d'utiliser cet appareil.
- **ANTENNES Mise à la masse d'antennes extérieures** (peut varier selon le pays) :  
Si une antenne extérieure est installée, suivez les précautions ci-dessous. Un système d'antennes extérieures ne devrait pas se trouver à proximité des lignes aériennes d'électricité, d'autres éclairages électriques ou de circuits d'alimentation, ou à un endroit où il peut entrer en contact avec de telles lignes électriques ou de tels circuits d'alimentation, puisque des blessures graves, voire la mort, pourraient se produire. Assurez-vous que le système d'antennes est mis à la terre, afin de fournir une certaine protection contre les surtensions et les accumulations de charge d'électricité statique. La section 810 du Code national de l'électricité (NEC) aux États-Unis fournit des renseignements relatifs à la procédure conforme de mise à la terre du mât et de la structure d'appui, du câble d'entrée à l'élément de sortie antenne, au format des fils de terre, à la position de l'élément de sortie antenne, au branchement des électrodes de masse, ainsi qu'aux exigences de mise à la masse de l'électrode.

#### Mise à la terre de l'antenne en vertu du code électrique national, ANSI/NFPA 70



#### • Nettoyage

Lors du nettoyage, débranchez le cordon d'alimentation et essuyez l'appareil avec un linge doux pour éviter de le rayer. Ne vaporisez pas d'eau ou d'autres liquides directement sur le téléviseur, car cela pourrait causer une électrocution. Ne nettoyez pas avec des produits chimiques tels l'alcool, les solvants et le benzène.

#### • Déplacement

Assurez-vous que l'appareil est hors tension, débranché et que tous les câbles ont été retirés. Deux personnes ou plus peuvent être requises pour porter les téléviseurs d'une certaine taille. N'appliquez aucune pression (provenant de vous-même ou d'un élément extérieur) sur le panneau avant du téléviseur.

#### • Ventilation

Installez votre téléviseur à un endroit où la ventilation est suffisante. N'installez pas dans un espace confiné comme une bibliothèque. Ne couvrez pas ce produit d'un drap ou d'autres matériaux lorsqu'il est branché. N'installez pas à un endroit excessivement poussiéreux.

- Si vous sentez une odeur de fumée ou d'autres odeurs provenant du téléviseur, débranchez le cordon d'alimentation et contactez un centre de service autorisé.
- Évitez que le produit ne soit exposé à la lumière solaire directe.
- Ne touchez jamais cet appareil ou cette antenne pendant un orage.
- Lors du montage du téléviseur au mur, assurez-vous de ne pas le suspendre à l'aide du câble de signal ou d'alimentation se trouvant à l'arrière du téléviseur.
- Évitez de heurter l'appareil et assurez-vous qu'aucun objet ne tombe dans celui-ci ou n'entre en contact avec l'écran.

#### • DÉBRANCHEMENT D'UN APPAREIL DE L'ALIMENTATION PRINCIPALE

Débranchez la fiche de la prise électrique. La fiche doit être fonctionnelle en tout temps.

- Assurez-vous de ranger les accessoires (pile ou autre) dans un lieu sûr et hors de portée des enfants.
- Cet appareil fonctionne avec des piles. Il est possible que les règlements de votre communauté en matière d'environnement vous obligent à mettre ces piles au rebut en respectant certaines règles. Veuillez communiquer avec les autorités locales pour plus de renseignements sur la mise au rebut ou le recyclage des piles usagées.
- Ne jetez pas les piles dans le feu.
- Ne court-circuitez pas les piles, ne les démontez pas et ne les laissez pas surchauffer.

- **Défaut de point**

Un écran plasma ou ACL est un produit de haute technologie présentant une résolution de deux à six millions de pixels. Dans de rares cas, on pourrait voir de petits points sur l'écran lors du visionnement. Ces points sont des pixels désactivés ne nuisant pas à la performance et à la fiabilité du téléviseur.

- **Son produit**

« Craquement » : un craquement survenant pendant le visionnement ou lors de l'arrêt du téléviseur est produit par une contraction thermique plastique causée par la chaleur ou l'humidité. Ce bruit est courant dans les produits où une déformation thermique est requise. Bourdonnement de circuit ou de panneau électrique : un bruit très faible est produit par un circuit commutateur haute vitesse fournissant une grande quantité de courant pour faire fonctionner un appareil. Il varie selon l'appareil. Ce son ne nuit aucunement à la performance ou à la fiabilité de l'appareil.

- Prenez soin de ne pas toucher aux ouvertures de ventilation. Lorsque le téléviseur fonctionne pendant de longues périodes, les ouvertures de ventilation peuvent devenir chaudes. Cela ne nuit aucunement à la performance de l'appareil et ne l'endommage pas.

- Si le téléviseur est froid au toucher, il peut y avoir un léger « sautellement » quand on l'allume. Cela est normal; le téléviseur n'est pas défectueux. Pendant quelques minutes, des défauts de point peuvent être visibles à l'écran, apparaissant comme de petites taches rouges, vertes ou bleues. Toutefois, ils ne produisent aucun effet indésirable sur la performance du téléviseur. Évitez de toucher l'écran ACL ou de mettre vos doigts dessus pendant une longue période de temps. Cela pourrait produire un effet de distorsion à l'écran.

#### Prévention des images fantômes ou rémanentes sur l'écran de votre téléviseur



- Une image figée à l'écran pendant de longues périodes peut causer une image fantôme et endommager définitivement votre écran. Ce phénomène n'est pas couvert par la garantie.
- Si le format d'image de votre téléviseur est réglé sur 4:3 pendant une période prolongée, il est possible qu'une image rémanente apparaisse dans la zone propre à ce format.
- Pour éviter tout problème d'image rémanente, évitez de laisser une image fixe affichée à l'écran pendant des périodes prolongées (2 heures ou plus pour les écrans ACL, 1 heure ou plus pour les téléviseurs à plasma).

#### Pour les États-Unis et le Canada

##### INFORMATIONS RELATIVES À LA RÉGLEMENTATION FCC

Cet équipement a été testé et jugé conforme aux limites relatives aux appareils numériques de catégorie B imposées par le paragraphe 15 de la réglementation de la FCC. Ces limites sont établies pour fournir une protection raisonnable contre les interférences nuisibles en installation résidentielle. Cet équipement génère, utilise et peut diffuser de l'énergie de radiofréquences et, s'il n'est pas installé et utilisé conformément aux instructions, peut causer des interférences nuisibles aux communications radio. Cependant, il n'existe aucune garantie qu'il n'y aura pas d'interférences dans une installation particulière. Si cet équipement cause des interférences nuisibles à la réception radio ou télévision (pour s'en assurer, il suffit d'éteindre et de rallumer l'appareil), l'utilisateur est invité à essayer de corriger les interférences par l'une ou plusieurs des mesures suivantes :

- Réorienter ou déplacer l'antenne de réception.
- Augmenter la distance entre l'équipement et le récepteur.
- Brancher l'équipement sur un circuit électrique distinct de celui qui alimente le récepteur.
- Consulter le distributeur ou un technicien radio/télé qualifié pour vous aider.

Cet appareil est conforme aux limites imposées par le paragraphe 15 de la réglementation FCC. Son utilisation est sujette aux deux conditions suivantes : (1) cet appareil ne doit pas provoquer de brouillage préjudiciable, et (2) cet appareil doit accepter toutes les interférences reçues, y compris celles pouvant causer un fonctionnement indésirable. Les modifications dans la fabrication de cet appareil qui ne sont pas expressément approuvées par l'autorité responsable de la conformité peuvent annuler l'autorisation accordée à l'utilisateur de faire fonctionner l'équipement.

##### REMARQUE À L'INTENTION DES INSTALLATEURS DE RÉSEAUX CÂBLÉS

Nous désirons attirer l'attention des installateurs de réseaux câblés sur l'article 820-40 du Code national de l'électricité (NEC) concernant la mise à la terre de tels réseaux, et en particulier sur le fait que le câble doit être relié à l'installation de mise à la terre du bâtiment aussi près que possible de son point d'entrée.

## LICENCES

Les licences prises en charge peuvent différer selon le modèle. Pour plus d'informations sur les licences, visitez le site [www.lg.com](http://www.lg.com).

FRANÇAIS



Fabriqué sous licence de Dolby Laboratories. Dolby et le symbole du double D sont des marques de commerce de Dolby Laboratories.



The terms HDMI and HDMI High-Definition Multimedia Interface, and the HDMI logo are trademarks or registered trademarks of HDMI Licensing LLC in the United States and other countries.



À PROPOS DES VIDÉOS DivX : DivX® est un format vidéo numérique créé par la société DivX, LLC, une filiale de Rovi Corporation. Ce téléviseur est un appareil homologué DivX Certified® qui prend en charge la lecture des vidéos DivX. Pour obtenir plus d'information sur ce format et pour vous procurer des outils logiciels permettant de convertir vos fichiers vidéo au format DivX, visitez le site [divx.com](http://divx.com).

À PROPOS DES VIDÉOS DivX À LA DEMANDE : Cet appareil homologué DivX Certified® doit être enregistré pour pouvoir lire le contenu DivX VOD (vidéo à la demande). Pour obtenir votre code d'enregistrement, repérez la section DivX VOD dans le menu de configuration de l'appareil. Pour en savoir plus sur la procédure d'enregistrement, visitez le site [vod.divx.com](http://vod.divx.com).

Homologué DivX Certified® pour la lecture de vidéos DivX® jusqu'à une résolution HD 1080p, y compris le contenu en accès limité.

DivX®, DivX Certified® et les logos associés sont des marques de commerce de Rovi Corporation ou de ses filiales et sont utilisés sous licence.

Ce produit est protégé par l'un ou plusieurs des brevets des États-Unis : 7,295,673; 7,460,668; 7,515,710; 7,519,274

## AVIS CONCERNANT LES LOGICIELS LIBRES

Pour obtenir le code source conformément aux dispositions de la licence publique générale, de la licence publique générale limitée, de la licence publique Mozilla et de toute autre licence régissant les logiciels à code source libre contenus dans cet appareil, visitez le site <http://opensource.lge.com>.

En plus du code source, toutes les dispositions de licence, les clauses de non-garantie et les avis de droits d'auteurs peuvent aussi être téléchargés.

LG Electronics mettra également à votre disposition le code source libre sur CD-ROM pour un prix couvrant le coût de la distribution (coût du support, de l'expédition et de la manutention) sur simple demande par courriel à l'adresse [opensource@lge.com](mailto:opensource@lge.com). Cette offre est valable pendant les trois (3) années suivant la date d'achat du produit.

# SOMMAIRE

## 2 DIRECTIVES DE SÉCURITÉ IMPORTANTES

## 6 LICENCES

## 6 AVIS CONCERNANT LES LOGICIELS LIBRES

## 8 PROCÉDURE D'INSTALLATION

## 8 ASSEMBLAGE ET PRÉPARATION

- 8 Déballage
- 10 Pièces et touches
- 11 Soulèvement et déplacement du téléviseur
- 12 Installation du téléviseur
  - 12 - Fixation du support
  - 14 - Montage sur une table
  - 15 - Gestion des câbles
  - 15 - Montage mural

## 16 VISIONNEMENT DE LA TÉLÉVISION

- 16 Branchement à l'adaptateur c.a./c.c.
- 16 Première mise sous tension du téléviseur

## 17 UTILISATION DU GUIDE DE L'UTILISATEUR

- 17 Utilisation de la télécommande

## 18 ÉTABLISSEMENT DES CONNEXIONS

- 18 Branchement d'une antenne
- 19 Branchement d'un récepteur HD, d'un lecteur de DVD, d'un magnétoscope ou d'une console de jeu
  - 19 - Connexion HDMI
  - 20 - Connexion HDMI à DVI
  - 21 - Connexion composante
  - 22 - Connexion composite
- 23 Connexion USB
- 24 Connecting a PC
  - 24 - Connexion HDMI, Connexion DVI à HDMI ou Connexion RGB

## 26 TÉLÉCOMMANDE

## 28 ENTRETIEN

- 28 Nettoyage du téléviseur
  - 28 - Écran, cadre, meuble et support
  - 28 - Cordon d'alimentation

## 28 DÉPANNAGE

## 28 CONFIGURATION DE L'APPAREIL DE COMMANDE EXTERNE

## 29 CARACTÉRISTIQUES



### REMARQUE

- Cette illustration peut ne pas correspondre à votre téléviseur.
- L'afficheur (OSD) de votre téléviseur peut différer légèrement de l'illustration du présent manuel.
- Les menus et options disponibles peuvent différer en fonction des sources que vous utilisez.
- De nouvelles fonctionnalités pourraient être ajoutées à ce téléviseur dans le futur.

## PROCÉDURE D'INSTALLATION

- 1 Ouvrez l'emballage et assurez-vous que tous les accessoires sont présents.
- 2 Fixez le support au téléviseur.
- 3 Branchez un appareil externe sur le téléviseur.

## ASSEMBLAGE ET PRÉPARATION

### Déballage

Vérifiez que les articles suivants se trouvent bien dans votre boîte. S'il manque des accessoires, communiquez avec le détaillant local chez qui vous avez acheté le produit. Les illustrations du présent manuel peuvent différer du produit et des accessoires réels.



#### REMARQUE

- Les accessoires fournis avec votre produit peuvent varier selon le modèle.
- Les caractéristiques du produit ou le contenu du présent manuel peuvent être modifiés sans préavis, en raison d'une mise à niveau des fonctions du produit.



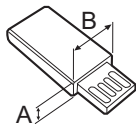
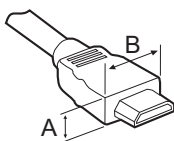
#### MISE EN GARDE

- Afin de garantir la sécurité et la durée de vie de l'appareil, n'utilisez pas d'articles non approuvés.
- Tout dommage ou toute blessure causé par l'utilisation d'un article non approuvé n'est pas couvert par la garantie.



#### REMARQUE

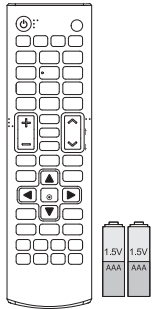
- Les accessoires fournis avec votre produit peuvent varier selon le modèle.
- Les caractéristiques du produit ou le contenu du présent manuel peuvent être modifiés sans préavis, en raison d'une mise à niveau des fonctions du produit.
- Pour que la connexion soit optimale, les connecteurs des câbles HDMI et des dispositifs USB devraient avoir un rebord de moins de 10 mm (0,39 po) d'épaisseur et de moins de 18 mm (0,7 po) de largeur. Si le câble ou la clé USB ne rentre pas dans le port USB de la télé, servez-vous d'un câble de rallonge compatible USB 2.0.



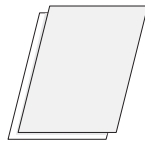
\*A ≡ 10 mm

\*B ≡ 18 mm

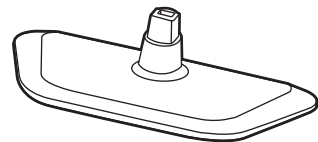




Télécommande et piles AAA

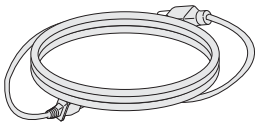


Guide d'utilisation sur et  
fiches d'information



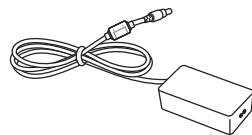
Corps du support

FRANÇAIS

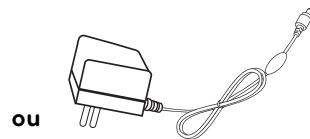


Cordon d'alimentation

(Selon le pays)



Adaptateur c.a.-c.c.



ou

Adaptateur c.a.-c.c.

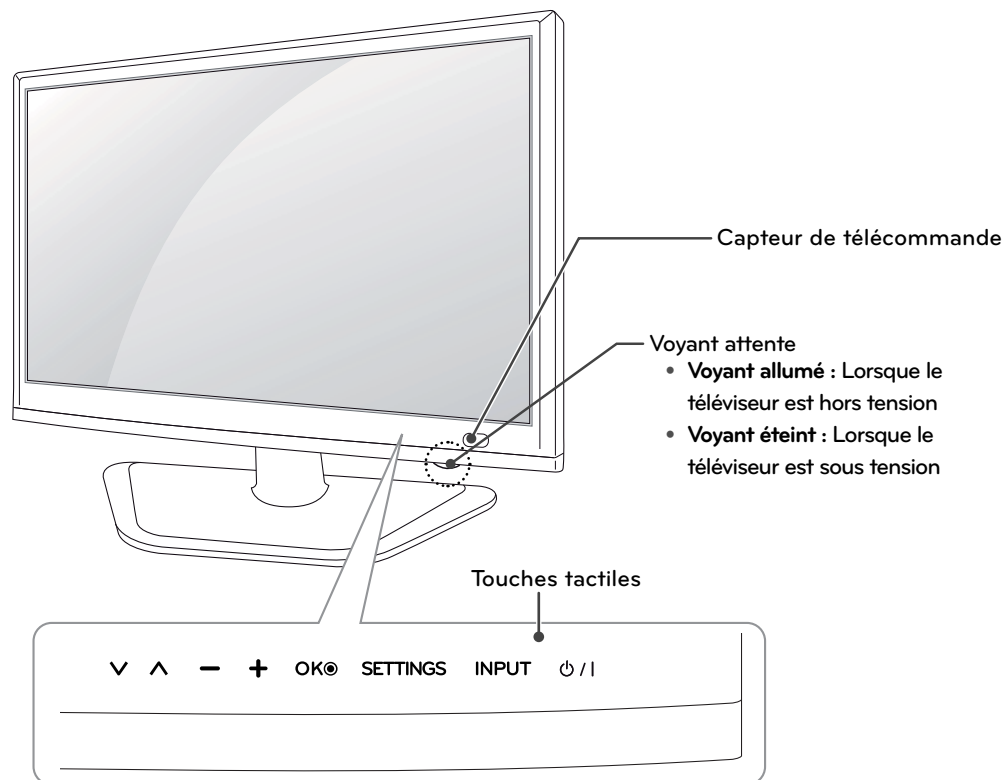
(Selon le pays)



Attache de câble

## Pièces et touches

FRANÇAIS



Touche tactile	Description
▼ ▲	Parcourt les chaînes enregistrées.
- +	Règle le volume.
OK	Accepte l'option de menu sélectionnée ou confirme une entrée.
SETTINGS	Permet d'accéder aux menus principaux ou d'enregistrer votre sélection et de quitter les menus.
INPUT	Sélectionne la source d'entrée.
⏻ / I	Allume ou éteint l'appareil.

**REMARQUE**

Toutes les touches sont tactiles et peuvent être activées en les effleurant simplement avec le doigt.

## Soulèvement et déplacement du téléviseur

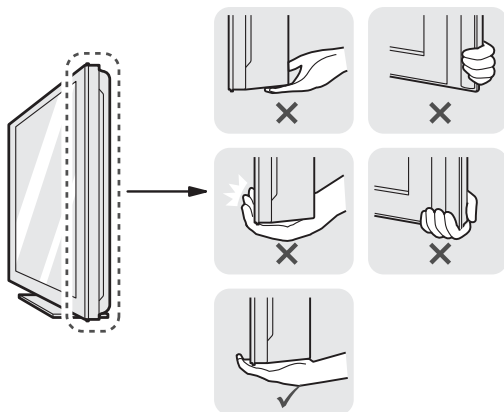
Lorsque vous désirez déplacer ou soulever le téléviseur, lisez tout d'abord ce qui suit pour éviter d'égratigner ou d'endommager le téléviseur, ainsi que pour effectuer un transport sécuritaire sans égard au type et à la taille du téléviseur.



### MISE EN GARDE

Évitez de toucher à l'écran, puisque cela pourrait causer des dommages à l'écran ou à certains des pixels utilisés pour créer les images.

- Il est recommandé de déplacer le téléviseur en utilisant la boîte ou le matériel d'emballage dans lequel a été livré le téléviseur à l'origine.
- Avant de déplacer ou de soulever le téléviseur, débranchez le cordon d'alimentation et tous les câbles.
- Tenez fermement le haut et le bas du cadre du téléviseur. Assurez-vous de ne pas tenir la partie transparente, le haut-parleur ou la grille de haut-parleur du téléviseur.



- Lorsque vous manipulez le téléviseur, vous devez l'orienter pour que l'écran ne soit pas de votre côté, afin de le protéger contre les égratignures.



- Lorsque vous transportez le téléviseur, évitez de l'exposer aux chocs ou vibrations excessives.
- Lorsque vous transportez le téléviseur, maintenez-le à la verticale; ne le tournez jamais sur le côté et ne le penchez pas à gauche ou à droite.

## Installation du téléviseur

Placez le téléviseur sur un support et fixez-le à une table ou au mur.

### Fixation du support

Si vous ne montez pas le téléviseur au mur, suivez les directives ci-dessous pour fixer le support.



#### MISE EN GARDE

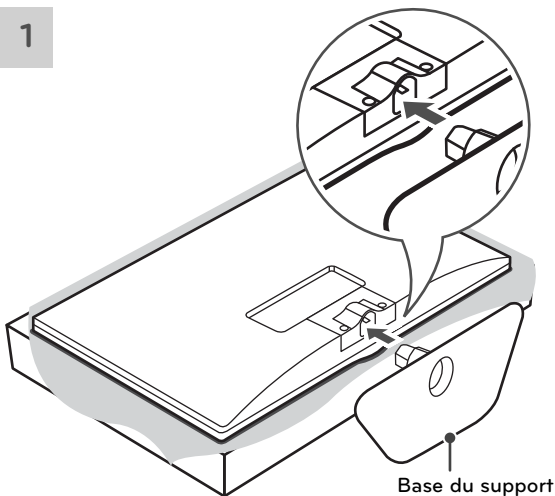
- Pour fixer le support au téléviseur, placez l'écran face vers le bas sur une table ou sur une surface plane matelassée afin de le protéger contre les rayures.
- Assurez-vous que les vis sont vissées complètement. (Si elles ne sont pas vissées assez solidement, le téléviseur peut basculer vers l'avant, après avoir été installé.)
- Ne pas serrer les vis trop fortement, sinon elles peuvent s'user et se relâcher.



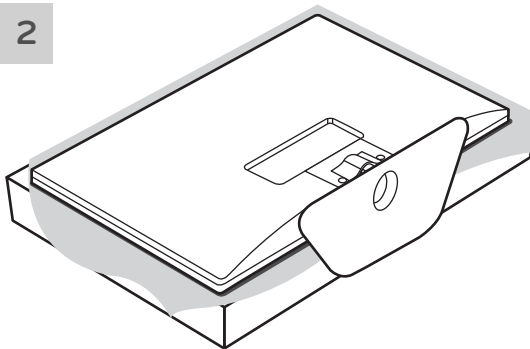
#### REMARQUE

- Avant d'installer le téléviseur sur une fixation murale, retirez son support.

1

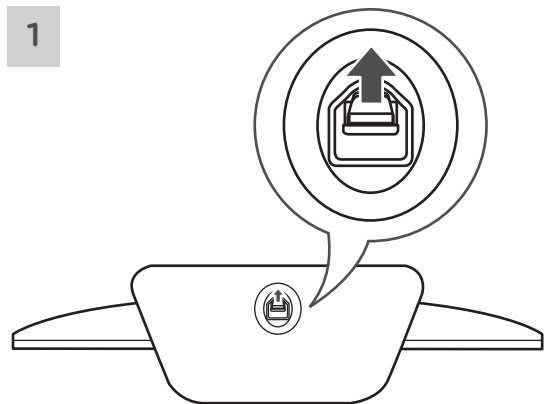


2



#### Retrait du support

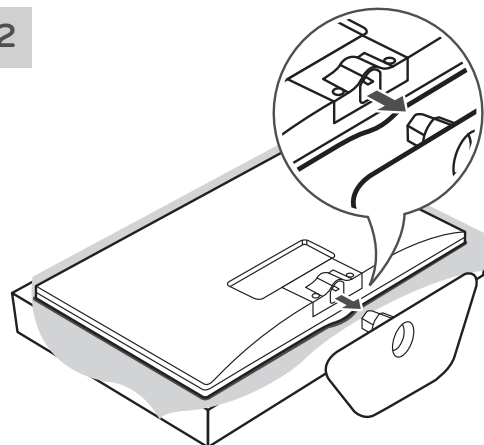
1

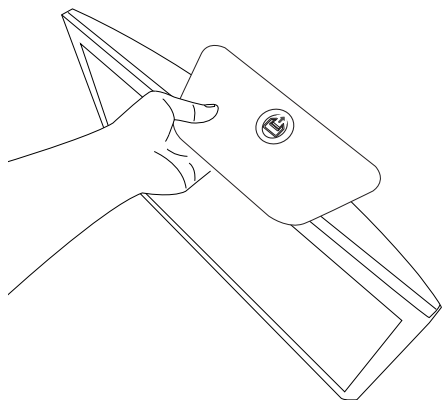


REMARQUE

- Soulevez le loquet avant de retirer la base du pied.

2



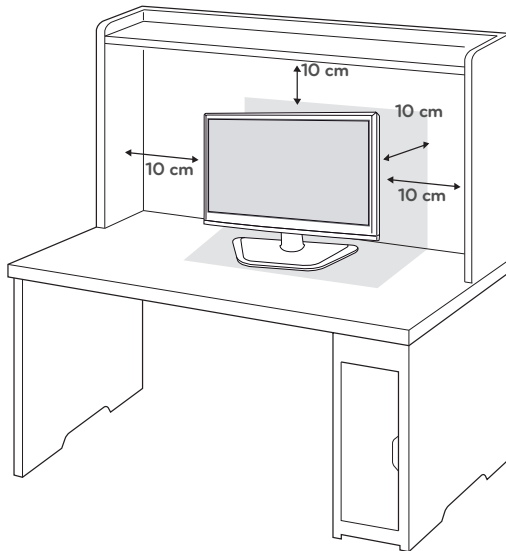
**MISE EN GARDE**

- Ne transportez pas le téléviseur à l'envers car il pourrait se détacher de son support, ce qui pourrait l'endommager ou provoquer des blessures.
- Cette illustration montre un exemple d'installation standard; l'apparence de votre produit peut être différente.

## Montage sur une table

- 1 Soulevez et inclinez le téléviseur dans sa position verticale sur une table.

Laissez un espace d'au moins 10 cm (4 po) entre le mur et le téléviseur pour une ventilation adéquate.



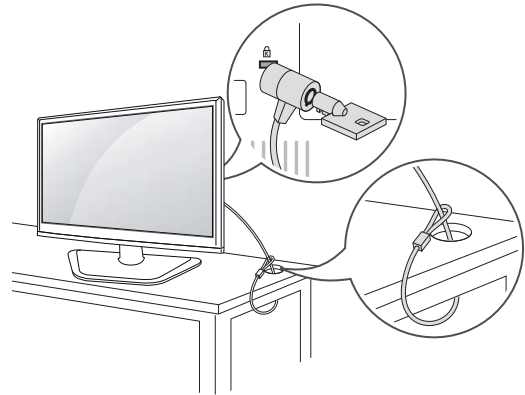
### MISE EN GARDE

Débranchez tout d'abord le cordon d'alimentation, puis déplacez ou installez le téléviseur. Sinon, cela pourrait causer une électrocution.

### Utilisation du système de sécurité Kensington

Le connecteur du système de sécurité Kensington se trouve sur l'arrière du téléviseur. Pour plus d'information sur l'installation et l'utilisation de ce système, reportez-vous au manuel fourni avec le système de sécurité Kensington ou visitez le site <http://www.kensington.com>.

Connectez le câble du système de sécurité Kensington au téléviseur et à une table.

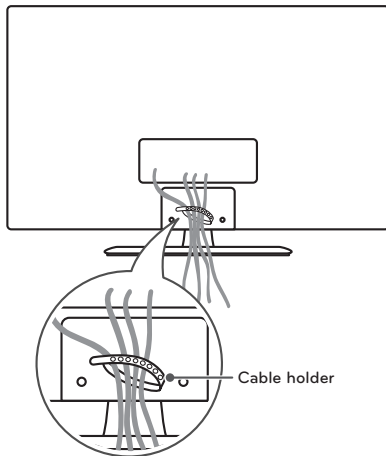


### REMARQUE

Le système de sécurité Kensington est facultatif. Vous pouvez obtenir des accessoires supplémentaires auprès de la plupart des magasins de produits électroniques.

## Gestion des câbles

Regroupez et fixez les câbles à l'aide de l'attache de câble.



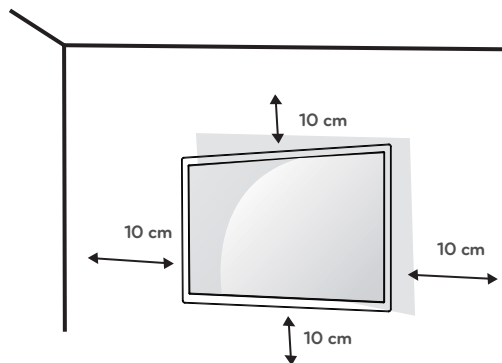
### ! MISE EN GARDE

Ne déplacez pas le téléviseur en le tenant par l'attache des câbles ou le serre-câbles, ce qui peut le briser, causer des blessures et endommager le téléviseur.

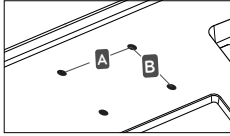
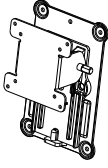
## Montage mural

Une fixation murale optionnelle peut être utilisée pour fixer votre téléviseur LG. Consultez votre fournisseur local afin de trouver une fixation murale qui correspond aux normes VESA de votre modèle de téléviseur.

Nous vous recommandons d'utiliser une fixation murale de marque LG.



Assurez-vous d'utiliser les vis et les fixations murales qui répondent aux normes VESA. Les dimensions standards des trousse de fixation murale sont données au tableau suivant.

<b>VESA (A x B)</b>	100 x 100
	
<b>Vis standard</b>	M4
<b>Nombre de vis</b>	4
<b>Support de fixation murale (facultatif)</b>	RW120 

### ! MISE EN GARDE

- Débranchez tout d'abord le cordon d'alimentation, puis déplacez ou installez le téléviseur. Sinon, cela pourrait causer une électrocution.
- Si vous installez le téléviseur sur un plafond ou sur un mur incliné, il peut tomber et causer de graves blessures.
- Utilisez une fixation murale autorisée par LG et contactez le détaillant local ou le personnel qualifié.
- Ne serrez pas trop les vis, car cela pourrait endommager le téléviseur et annuler votre garantie.
- Utilisez les vis et la plaque de fixation murale qui sont conformes à la norme VESA. Tout dommage ou toute blessure résultant d'un usage abusif ou de l'utilisation d'un accessoire inapproprié n'est pas couvert par la garantie.

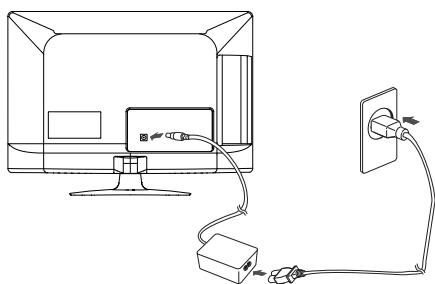
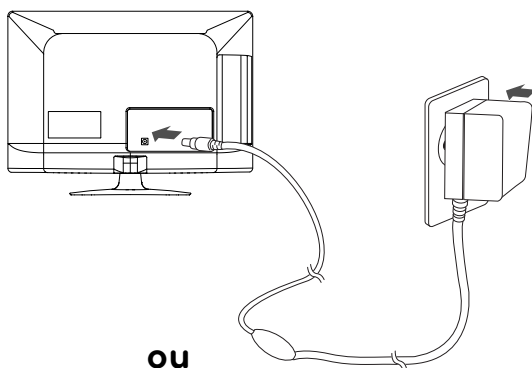
### ! REMARQUE

- Utilisez les vis qui sont répertoriées dans les caractéristiques des vis de la norme VESA.
- La trousse de fixation murale comprend un manuel d'installation et les pièces nécessaires.
- Le support de fixation murale est facultatif. Vous pouvez obtenir des accessoires supplémentaires de votre détaillant local.
- La longueur des vis peut varier selon la fixation murale. Assurez-vous d'utiliser la longueur appropriée.
- Pour de plus amples informations, reportez-vous aux directives fournies avec la fixation murale.

# VISIONNEMENT DE LA TÉLÉVISION

## Branchement à l'adaptateur c.a./c.c.

- 1 Branchez la fiche de l'adaptateur c.a./c.c. sur la prise d'alimentation du téléviseur.
- 2 Branchez le cordon d'alimentation d'abord sur l'adaptateur c.a./c.c., puis sur la prise murale.



### MISE EN GARDE

Veillez à raccorder le téléviseur à l'adaptateur c.a./c.c. avant de brancher le câble d'alimentation du téléviseur sur une prise murale.



### MISE EN GARDE

Ne placez pas le téléviseur près de sources de chaleur ou sur celles-ci, car cela pourrait causer un incendie ou d'autres dommages.

## Première mise sous tension du téléviseur

Lorsque vous allumez le téléviseur pour la première fois, l'écran Réglage initial apparaît. Sélectionnez une langue et personnalisez les réglages de base.

- 1 Raccordez le cordon d'alimentation à une prise d'alimentation.
- 2 En mode d'attente, appuyez sur la touche de mise sous tension de la télécommande pour allumer le téléviseur. L'écran Réglage initial apparaît si vous allumez le téléviseur pour la première fois.



### REMARQUE

Vous pouvez aussi accéder à l'écran **Réglage initial** en sélectionnant **OPTION** dans les menus principaux.

- 3 Suivez les directives à l'écran pour personnaliser votre téléviseur selon vos préférences.

Langage	Sélectionne la langue d'affichage.
↓	
Choix du mode	Permet de sélectionner <b>Résidentielle</b> pour un environnement domestique.
↓	
Voyant lumineux	Sélectionne le voyant attente. Si vous choisissez On (Activé), le voyant attente de la façade du téléviseur s'allume lorsque le téléviseur est éteint.
↓	
Fuseau	Permet de sélectionner le fuseau horaire et l'heure avancée.
↓	
Guide de l'utilisateur et astuces pour l'utilisation de la FAQ	Explique comment consulter le guide de l'utilisateur et la foire aux questions.
↓	
Syntonisation auto	Recherche et enregistre automatiquement les chaînes disponibles.

- 4 Lorsque les réglages de base sont terminés, appuyez sur **OK**.



### REMARQUE

- Si vous ne terminez pas les réglages de l'écran Réglage initial, celui-ci s'affichera chaque fois que vous allumez le téléviseur.
- Si vous ne terminez pas les réglages de l'écran Réglage initial, celui-ci s'affichera chaque fois que vous allumez le téléviseur.

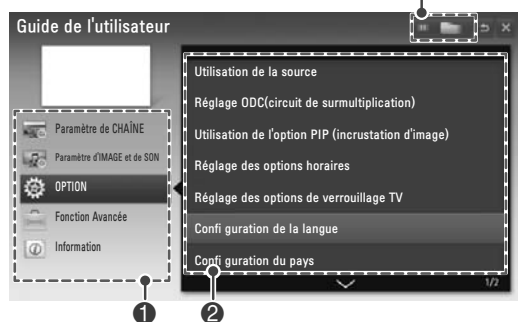
- 5 Pour éteindre le téléviseur, appuyez sur la touche du téléviseur.



# UTILISATION DU GUIDE DE L'UTILISATEUR

Le guide de l'utilisateur vous permet d'accéder facilement aux informations détaillées de votre téléviseur.

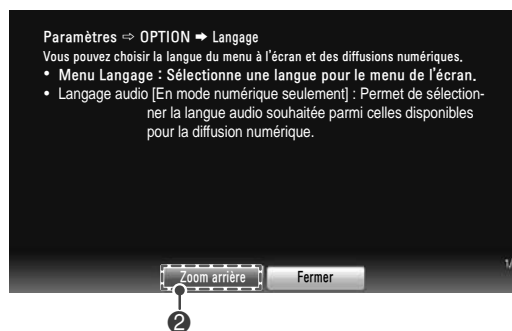
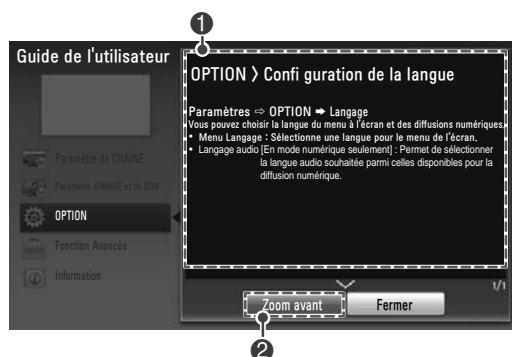
- 1 Appuyez sur **SETTINGS** pour accéder aux menus principaux.
- 2 Appuyez sur la touche **ROUGE** pour afficher le menu **Support technique**.
- 3 Appuyez sur les touches de navigation pour faire défiler l'affichage jusqu'à **Guide de l'utilisateur** et appuyez sur **OK**.



- 1 Guide categories.
- 2 List of topics in the current category. You can use  $\wedge$  /  $\vee$  button to move between pages.
- 3 An index of key words present in the User Guide.

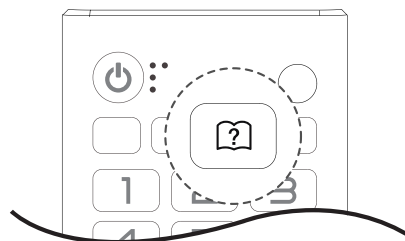
## REMARQUE

Les illustrations peuvent différer légèrement de la réalité.



- 1 Affiche une description du menu sélectionné. Pour passer d'une page à une autre, servez-vous des touches  $\wedge$  /  $\vee$ .
- 2 Permet d'effectuer un zoom avant ou arrière sur l'écran.

## Utilisation de la télécommande



- 1 Appuyez sur la touche **(?) (Guide de l'utilisateur)** pour accéder au menu Guide de l'utilisateur.
- 2 Appuyez sur les touches de navigation pour faire défiler l'affichage jusqu'à l'option souhaitée et appuyez sur **OK**.
- 3 Lorsque vous avez terminé, appuyez sur **EXIT**. Pour retourner au menu précédent, appuyez sur **BACK**.

## ÉTABLISSEMENT DES CONNEXIONS

Connectez divers appareils externes à votre téléviseur et alternez entre les modes d'entrée pour sélectionner les différents appareils. Pour en savoir plus sur la connexion d'appareils externes, reportez-vous au manuel accompagnant chaque appareil. Vous pouvez brancher les appareils externes suivants : récepteurs HD, lecteurs DVD, magnétoscopes, systèmes audio, dispositifs de stockage USB, PC, caméscopes et appareils photo, consoles de jeu et autres dispositifs externes.

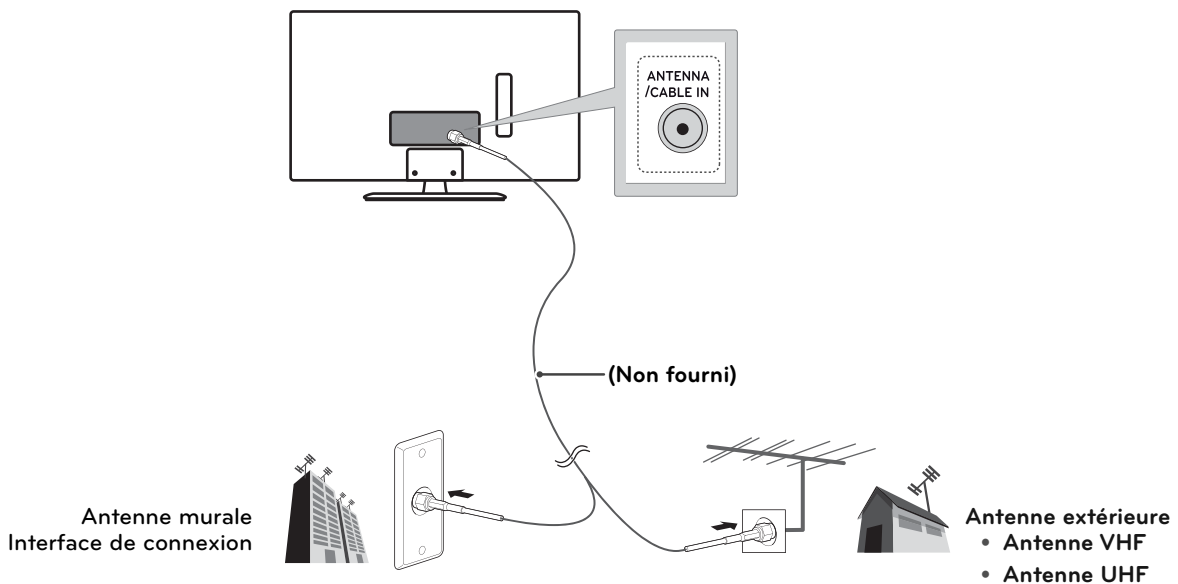
### ! REMARQUE

- Si vous enregistrez un programme télévisé à l'aide d'un enregistreur de DVD ou d'un magnétoscope, assurez-vous de brancher le câble de signal télévisé au téléviseur par l'intermédiaire de l'enregistreur ou du magnétoscope. Pour en savoir plus sur l'enregistrement, reportez-vous au manuel fourni avec l'appareil connecté.
- La connexion de l'appareil externe peut différer selon le modèle.
- Branchez les appareils externes sur le téléviseur indépendamment de l'ordre du port TV.

### Branchement d'une antenne

Pour brancher une antenne, un décodeur ou un câblosélecteur pour regarder la télévision, procédez comme suit. Les illustrations peuvent différer des accessoires réels et l'utilisation d'un câble RF est facultative.

Raccordez le téléviseur à une prise d'antenne murale à l'aide d'un câble RF (75 Ω).



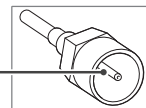
### ! REMARQUE

- Utilisez un dispositif d'aiguillage des signaux pour plusieurs téléviseurs.
- Si l'image est de mauvaise qualité, installez correctement un amplificateur de signaux afin d'améliorer la qualité de l'image.
- Si l'image est de mauvaise qualité avec une antenne branchée, orientez l'antenne dans la bonne direction.
- Pour plus d'information sur la connexion à une antenne ou au câble, visitez le site <http://AntennaWeb.org>.

### ! MISE EN GARDE

- Assurez-vous de ne pas plier le fil de cuivre du câble RF.

Fil de cuivre



- Pour éviter d'endommager votre téléviseur, suivez d'abord toutes les directives de raccordements entre les appareils, puis branchez le cordon d'alimentation dans la prise d'alimentation.

## Branchement d'un récepteur HD, d'un lecteur de DVD, d'un magnétoscope ou d'une console de jeu

Branchez un récepteur HD, un lecteur de DVD, un magnétoscope ou une console de jeu sur le téléviseur et sélectionnez le mode d'entrée approprié.

### Connexion HDMI

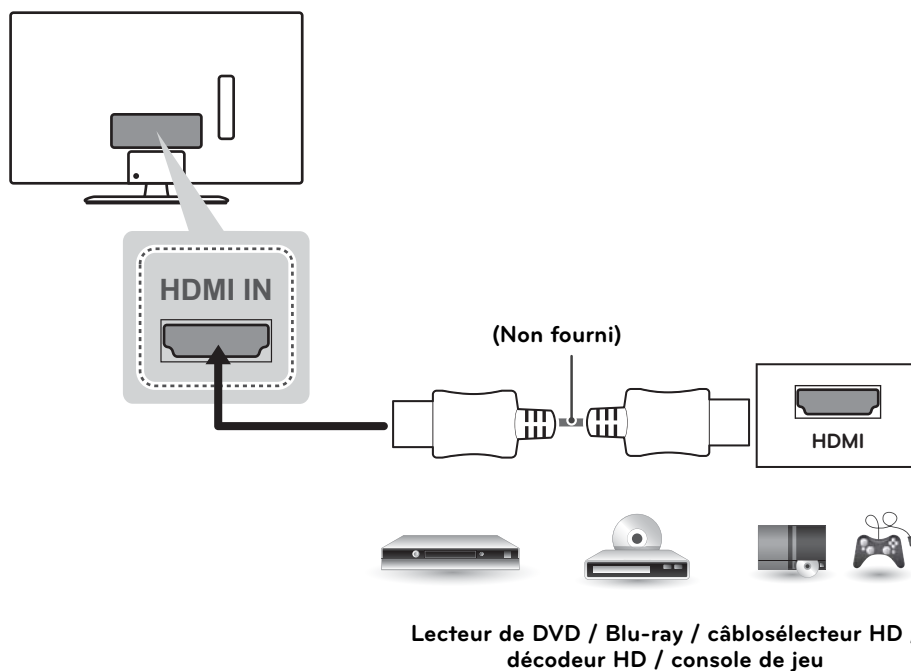
**La connexion HDMI est la meilleure qui soit.**

Transmet les signaux audio et vidéo numériques d'un appareil externe vers le téléviseur. Reliez l'appareil externe et le téléviseur au moyen d'un câble HDMI, comme indiqué sur l'illustration suivante.

FRANÇAIS

#### ! REMARQUE

- Utilisez un câble HDMI™ haute vitesse.
- Les câbles HDMI™ haute vitesse sont testés afin de transmettre un signal HD de norme 1080p ou supérieure.
- Formats audio HDMI pris en charge : Dolby Digital, PCM (jusqu'à 192 KHz, 32 k / 44,1 k / 48 k / 88 k / 96 k / 176 k / 192 k); le codec DTS n'est pas pris en charge.



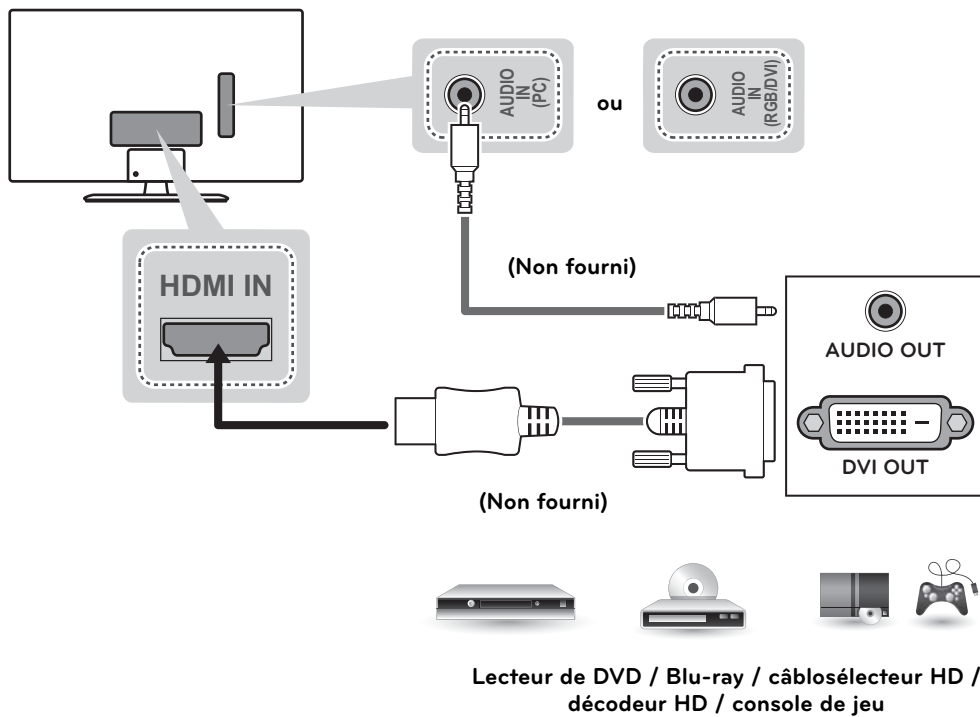
## Connexion HDMI à DVI

Transmet les signaux vidéo numériques d'un appareil externe vers le téléviseur. Reliez l'appareil externe et le téléviseur au moyen d'un câble DVI-HDMI, comme l'indique l'illustration suivante.

FRANÇAIS

### REMARQUE

Si vous n'utilisez pas de haut-parleur externe optionnel, raccordez l'appareil externe au téléviseur au moyen d'un câble audio optionnel.



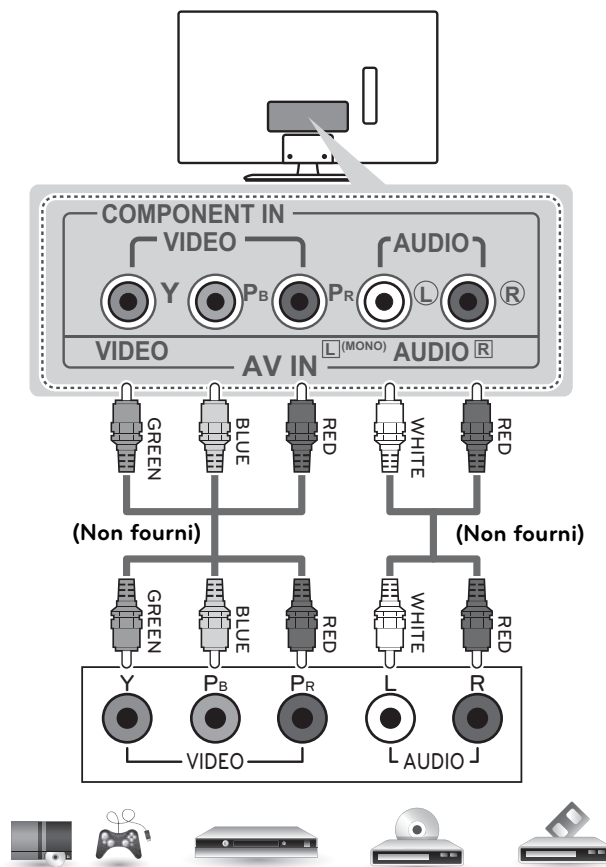
## Connexion composante

Transmet les signaux audio et vidéo analogiques d'un appareil externe vers le téléviseur. Reliez l'appareil externe et le téléviseur au moyen d'un câble composante, comme indiqué sur l'illustration suivante. Pour visionner les images en utilisant le balayage progressif, assurez-vous d'utiliser le câble composante.

### ! REMARQUE

- Si les câbles ne sont pas correctement branchés, l'image risque de s'afficher en noir et blanc ou les couleurs risquent d'être anormales.
- **Veillez vous assurer que les connexions sont bien effectuées selon les couleurs des fiches.**

FRANÇAIS



Lecteur de DVD / Blu-ray / câblesélecteur HD /  
décodeur HD / console de jeu

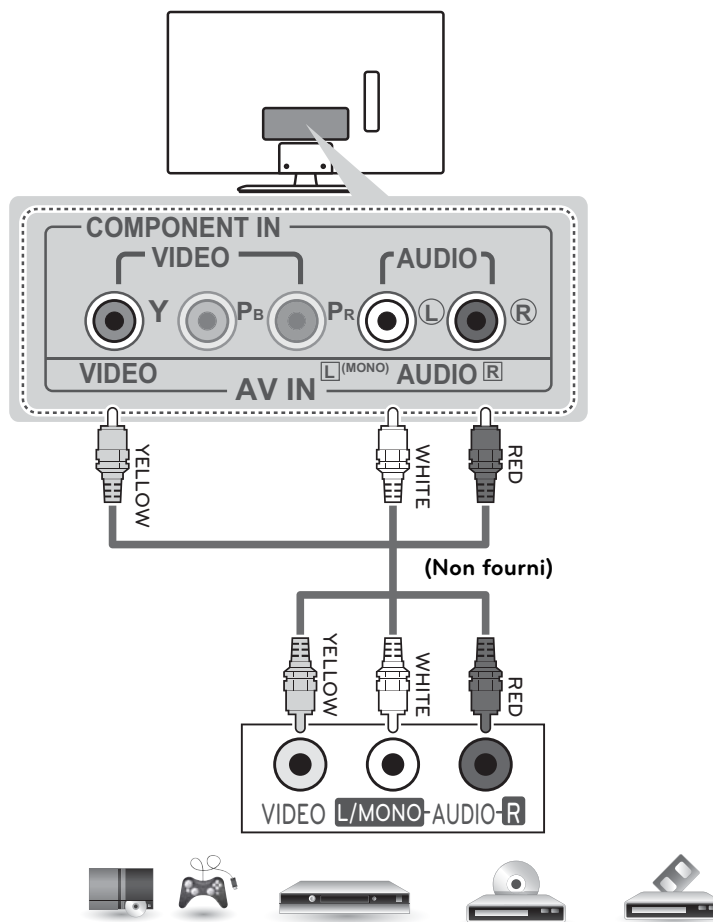
## Connexion composite

Transmet les signaux audio et vidéo analogiques d'un appareil externe vers le téléviseur. Reliez l'appareil externe et le téléviseur au moyen d'un câble composite, comme indiqué sur l'illustration suivante.



### REMARQUE

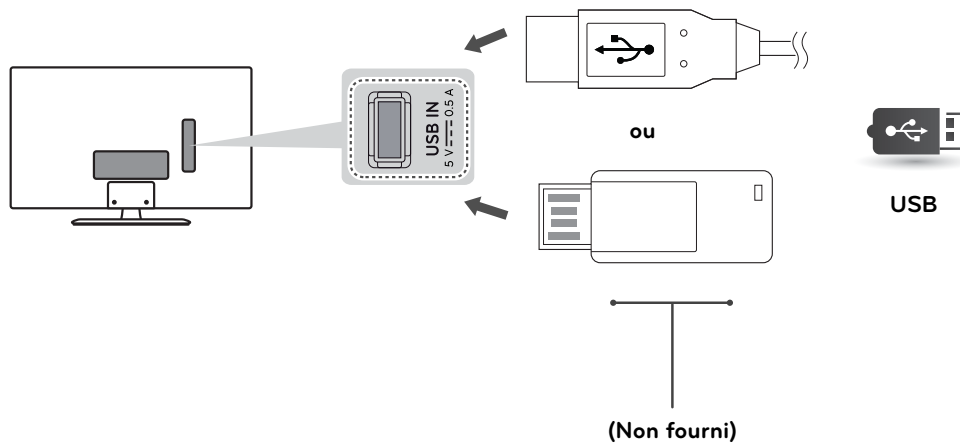
Veillez vous assurer que les connexions sont bien effectuées selon les couleurs des fiches.



Lecteur de DVD / Blu-ray / câblosélecteur HD /  
décodeur HD / console de jeu

## Connexion USB

Connectez un dispositif de stockage USB tel qu'une clé mémoire, un disque dur externe, un lecteur MP3 ou un lecteur de carte mémoire au téléviseur et accédez au menu USB pour profiter des divers fichiers multimédias.



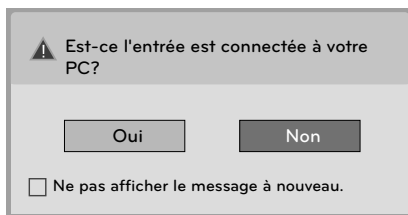
## Connecting a PC

### REMARQUE

- Pour une qualité d'image optimale, nous vous conseillons d'utiliser une connexion HDMI sur votre téléviseur.
- En mode PC, il peut y avoir du bruit associé à la résolution, au motif vertical, au contraste ou à la brillance. Si vous observez du bruit, changez la résolution de la sortie PC, changez la fréquence de rafraîchissement, ou réglez la brillance et le contraste dans le menu IMAGE pour obtenir une image nette.
- Les formes des ondes des sources de synchronisation sont distinctes pour les fréquences horizontale et verticale.
- Selon votre carte graphique, il est possible que certains réglages de résolution ne permettent pas le positionnement correct de l'image sur l'écran.

### REMARQUE

- Si vous souhaitez utiliser le mode HDMI-PC, vous devez régler l'entrée sur le mode PC.
- L'afficheur est affiché sur l'écran, comme ci-dessous.
  - » lorsque le téléviseur est allumé et qu'une entrée **HDMI** est sélectionnée.
  - » à la sélection d'une entrée **HDMI**.



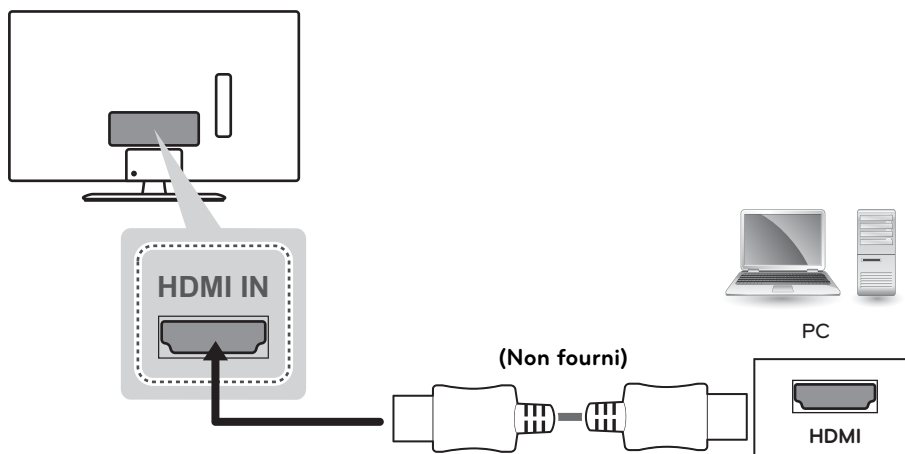
- Si vous sélectionnez **Oui**, le format et la qualité d'image sont optimisés pour votre PC.
- Si vous sélectionnez **Non**, le format et la qualité d'image sont optimisés pour l'appareil **audio-vidéo (lecteur DVD, boîtier décodeur numérique, console de jeu)**.
- Si vous sélectionnez **Ne pas afficher le message à nouveau.**, le message ne s'affichera plus jusqu'à ce que le téléviseur soit réinitialisé. Vous pouvez modifier la valeur configurée dans **SETTINGS ► INPUT ► Identité source**.

## Connexion HDMI, Connexion DVI à HDMI ou Connexion RGB

Choisissez le mode de connexion A, B ou C.

### Méthode A : Connexion HDMI

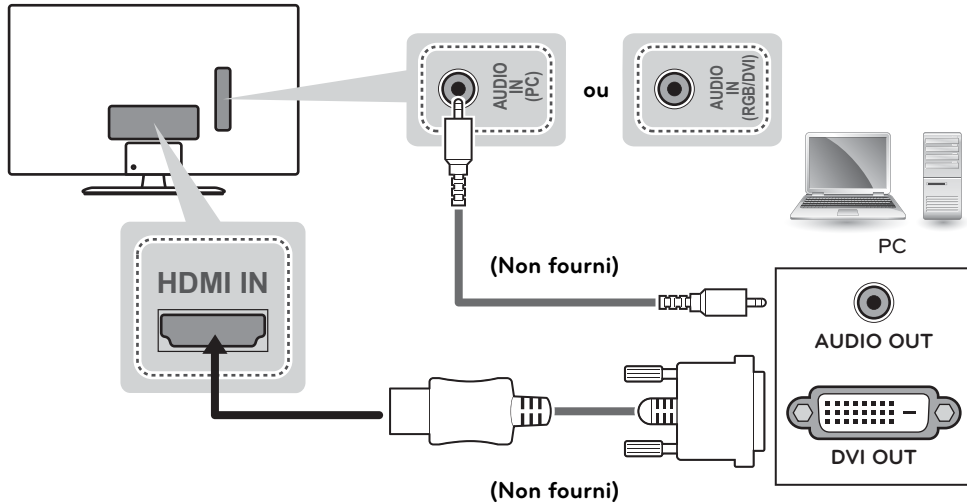
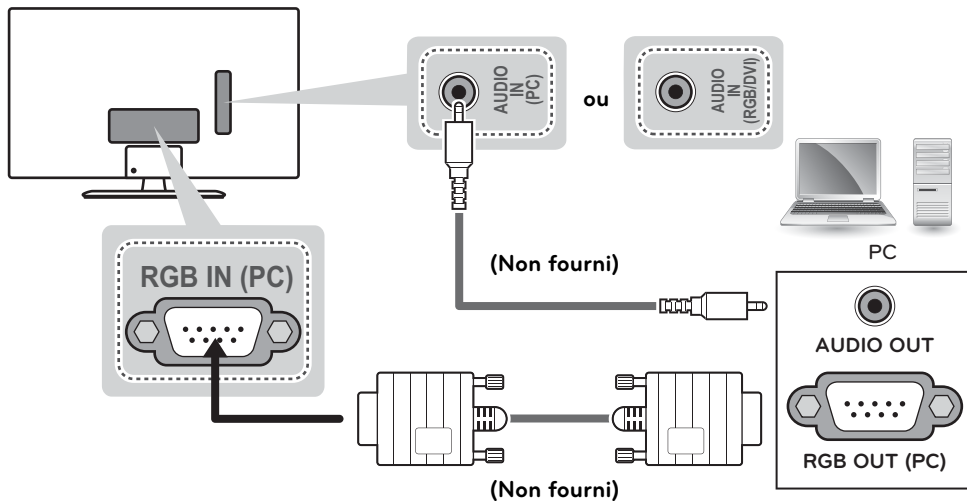
Si vous souhaitez utiliser le mode HDMI-PC, vous devez régler l'entrée sur le mode PC ou DVI.





**Méthode B : Connexion DVI à HDMI**

Si vous souhaitez utiliser le mode HDMI-PC, vous devez régler l'entrée sur le mode DVI.

**Méthode C : Connexion RGB**

# TÉLÉCOMMANDE

Les descriptions fournies dans ce manuel font référence aux touches de la télécommande. Veuillez lire le présent manuel attentivement et utiliser le téléviseur correctement.

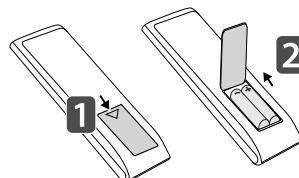
Pour changer les piles, ouvrez le couvercle de leur compartiment et insérez des piles (AAA de 1,5 V) en faisant correspondre les bornes ⊕ et ⊖ à ce qui figure sur l'étiquette à l'intérieur du compartiment, puis remettez le couvercle en place. Pour retirer les piles, suivez le processus ci-dessus à l'envers.

FRANÇAIS

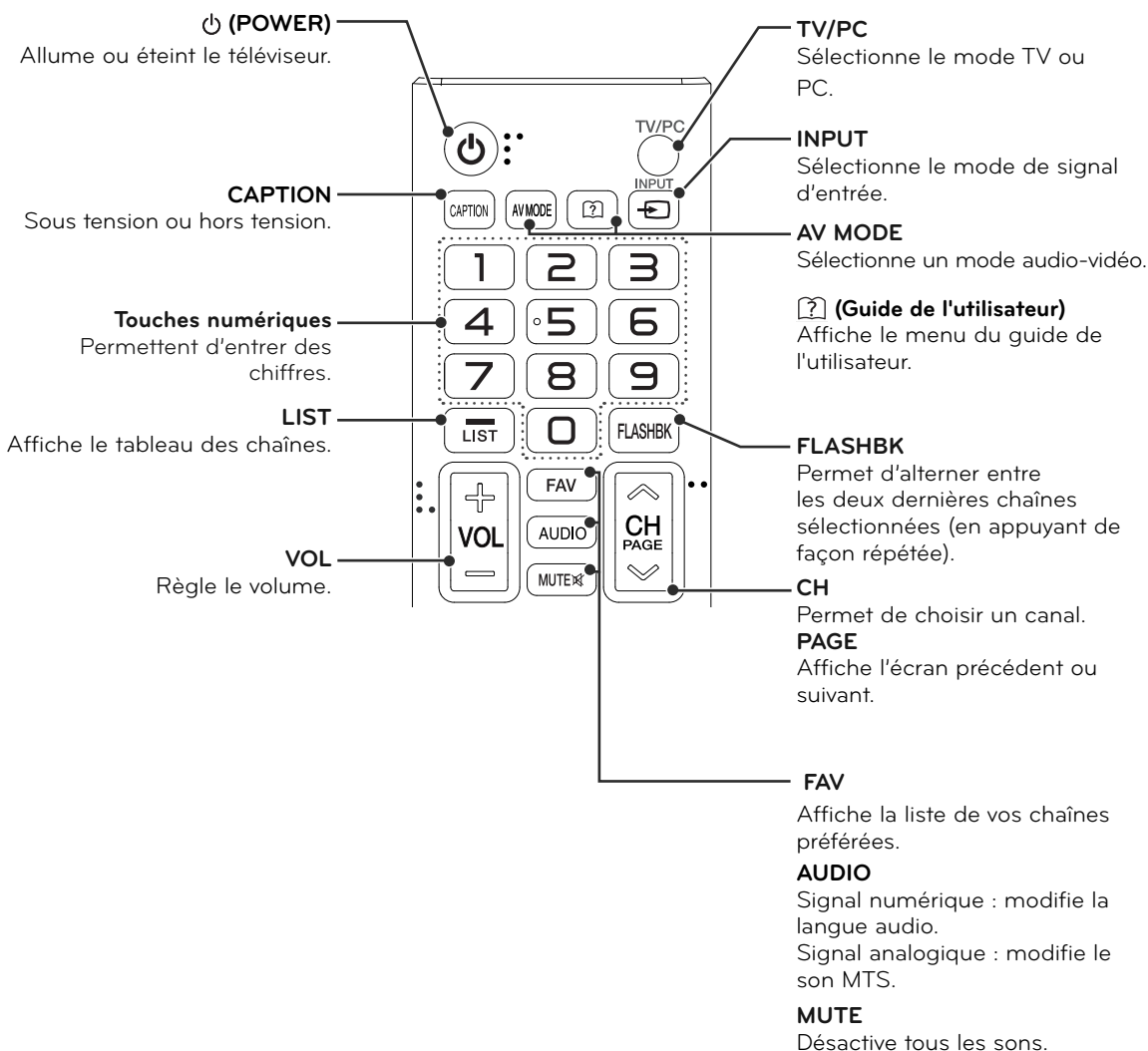


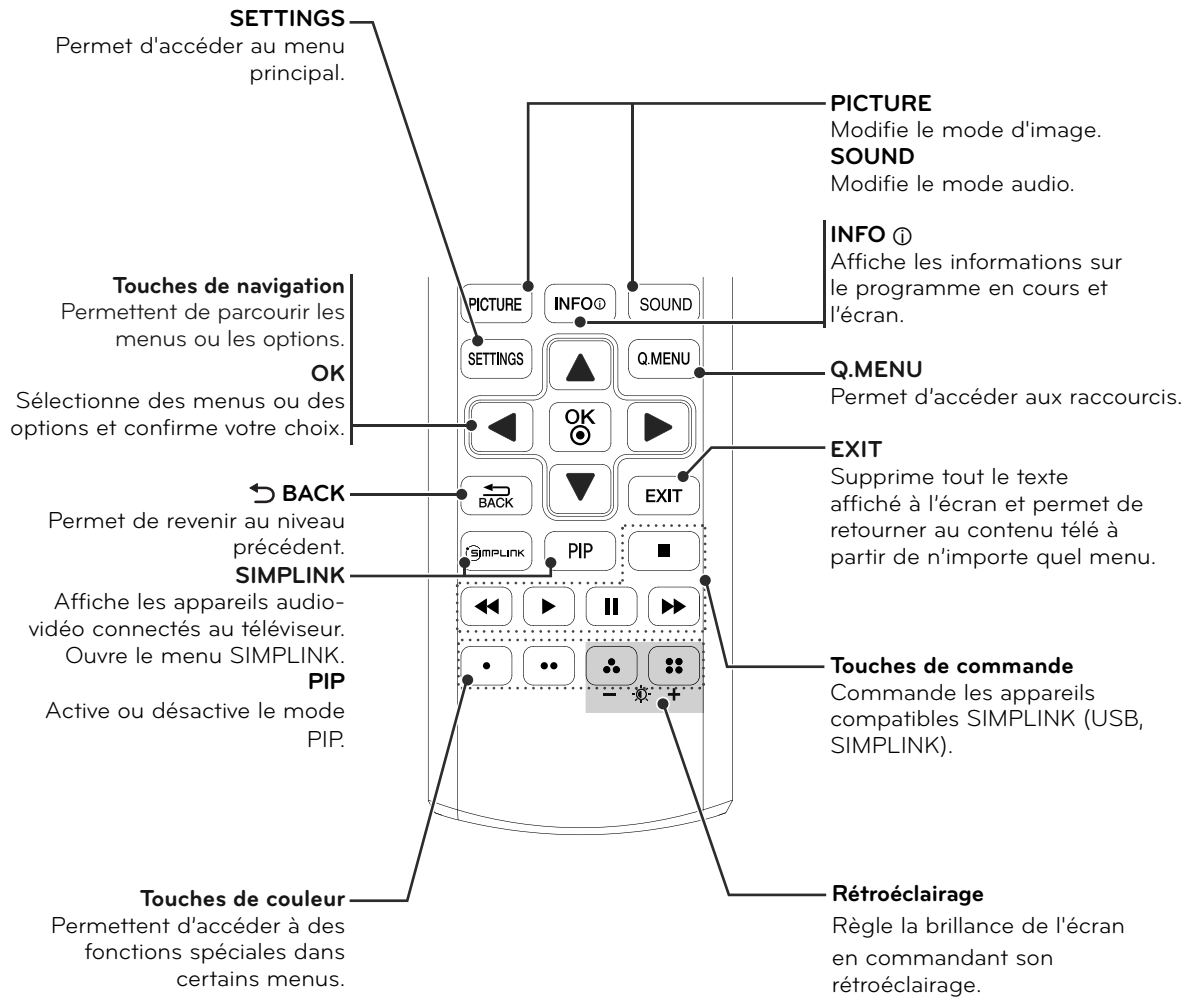
## MISE EN GARDE

N'utilisez pas une combinaison de piles usées et neuves, car cela pourrait endommager la télécommande.



Assurez-vous d'orienter la télécommande vers le capteur de télécommande du téléviseur. Cette illustration peut ne pas correspondre à votre téléviseur.





# ENTRETIEN

## Nettoyage du téléviseur

Nettoyez régulièrement votre téléviseur pour assurer une performance optimale et prolonger sa durée de vie.

### ⚠ MISE EN GARDE

- Assurez-vous d'éteindre l'appareil et de débrancher le cordon d'alimentation et tous les autres câbles avant de procéder au nettoyage.
- En cas d'absence prolongée ou si vous ne comptez pas utiliser votre téléviseur pendant une longue période, débranchez le cordon d'alimentation de la prise murale afin d'éviter les dommages causés par la foudre ou les surtensions.

## Écran, cadre, meuble et support

Pour éliminer la poussière ou les saletés, essuyez la surface à l'aide d'un chiffon sec, propre et doux.

En cas de salissure importante, essuyez la surface à l'aide d'un chiffon doux imbibé d'eau propre ou de détergent doux dilué. Essuyez ensuite immédiatement avec un chiffon sec.

### ⚠ MISE EN GARDE

- Évitez de pousser sur la surface, de la frotter ou de la heurter avec vos ongles ou avec des objets pointus, car vous risqueriez d'égratigner l'écran et de provoquer des déformations de l'image.
- N'utilisez aucun produit chimique (cires, benzène, alcool, diluants, insecticides, désodorisants, lubrifiants ou autres), au risque d'endommager la finition de l'écran et de provoquer des décolorations.
- Ne vaporisez pas de liquides sur la surface. Si de l'eau pénètre dans le téléviseur, il y a danger d'incendie, d'électrocution ou de mauvais fonctionnement de l'appareil.

## Cordon d'alimentation

Enlevez régulièrement la poussière ou la saleté sur le cordon d'alimentation.

# DÉPANNAGE

Problème	Résolution
La télécommande ne fonctionne pas.	<ul style="list-style-type: none"> <li>• Vérifiez le capteur de télécommande sur le téléviseur et réessayez.</li> <li>• Vérifiez qu'aucun obstacle n'empêche la communication entre l'appareil et la télécommande.</li> <li>• Vérifiez que les piles fonctionnent et qu'elles sont correctement insérées (⊕ sur ⊕, ⊖ sur ⊖).</li> </ul>
Le téléviseur ne produit pas d'image ni de son.	<ul style="list-style-type: none"> <li>• Vérifiez que le téléviseur est allumé.</li> <li>• Vérifiez que le cordon d'alimentation est branché sur une prise murale.</li> <li>• Vérifiez que la prise murale fonctionne en y branchant d'autres appareils.</li> </ul>
Le téléviseur s'éteint brusquement.	<ul style="list-style-type: none"> <li>• Vérifiez les réglages de commande de l'alimentation. Il y a peut-être eu une coupure de courant.</li> <li>• Vérifiez si l'option Veille auto. est activée dans les paramètres d'heure.</li> <li>• En l'absence de signal, le téléviseur s'éteint automatiquement au bout de 15 minutes d'inactivité.</li> </ul>

# CONFIGURATION DE L'APPAREIL DE COMMANDE EXTERNE

Pour obtenir des renseignements sur la configuration du dispositif de commande externe, visitez le [www.lg.com](http://www.lg.com).

# CARACTÉRISTIQUES

Système télévisuel	NTSC-M, ATSC, 64 & 256 QAM
Programmation	VHF 2-13, UHF 14-69, CATV 1-135, DTV 2-69, CADTV 1-135

FRANÇAIS

		24LN4510	29LN4510
Panneau d'écran	Type d'écran	classe 24" (23,6" visible en diagonale) Taille de la diagonale visible : 599 mm	classe 29" (28,5" visible en diagonale) Taille de la diagonale visible : 723 mm
	Pas de pixel	0,382 mm (H) x 0,382 mm (V)	0,462 mm (H) x 0,462 mm (V)
Signal vidéo	Résolution maximale	1366 x 768 @ 60 Hz	
	Résolution recommandée	1366 x 768 @ 60 Hz	
	Fréquence horizontale	30 kHz à 61 kHz	
	Fréquence verticale	56 Hz à 75 Hz	
	Type de synchronisation	Synchronisation distincte, numérique	
Connecteur d'entrée		TV, D-Sub analogique, entrée audio PC, Composant, AV(CVBS), HDMI, USB	
Mise sous tension/ hors tension	Tension nominale	19 V --- 2,0 A	19 V --- 2,4 A
	Consommation	On Mode : 33 W (typ.) Off Mode ≤ 0.4 W	On Mode : 40 W (typ.) Off Mode ≤ 0.4 W
Adaptateur c.a./c.c.		Mode sous tension: Lien Chang, Constructeur: LCAP16B-A, LCAP25B	Mode sous tension: LG Innotek Constructeur: PSAB-L101A
		Mode sous tension: LG Innotek, Modèle: PSAB-L205C, PSAB-L204B	Mode sous tension: Lite-On, Modèle: PA-1650-64
Dimensions (largeur x hauteur x profondeur)		Avec support	
Poids		556,5 mm x 140,1 mm x 391 mm / 3,7 kg	668,6 mm x 181 mm x 457 mm / 5,9 kg
		Sans support	
		556,5 mm x 62,3 mm x 343,1 mm / 3,5 kg	668,6 mm x 81,9 mm x 405,5 mm / 5,4 kg
Conditions environnementales	Température de fonctionnement	10 °C to 35 °C	
	Humidité de fonctionnement	20 % to 80 %	
	Température de stockage Humidité de stockage	-10 °C to 60 °C 5 % to 90 %	

Les caractéristiques des produits indiqués ci-dessus peuvent être modifiées sans préavis en raison de mises à niveau des fonctions des produits en question.

## Modes RGB (PC)/HDMI (PC) pris en charge

Résolution	Fréquence horizontale (kHz)	Fréquence verticale (Hz)
720 x 400	31,468	70,080
640 x 480	31,469	59,940
640 x 480	37,500	75,000
800 x 600	37,879	60,317
800 x 600	46,875	75,000
1024 x 768	48,363	60,004
1024 x 768	60,023	75,029
1280 x 800	49,702	59,810
1366 x 768	47,717	59,790



## REMARQUE

La résolution optimale est de 1366 x 768 à 60 Hz. La temporisation optimale est la fréquence verticale à 60 Hz dans chaque mode.

## Prise en charge du mode composante

Résolution	Fréquence horizontale (kHz)	Fréquence verticale (Hz)
720 x 480	15,730	59,940
720 x 480	15,750	60,000
720 x 576	15,625	50,000
720 x 480	31,470	59,940
720 x 480	31,500	60,000
720 x 576	31,250	50,000
1280 x 720	44,960	59,940
1280 x 720	45,000	60,000
1280 x 720	37,500	50,000
1920 x 1080	33,720	59,940
1920 x 1080	33,750	60,000
1920 x 1080	28,125	50,000
1920 x 1080	56,250	50,000
1920 x 1080	67,432	59,940
1920 x 1080	67,500	60,000

## Prise en charge du mode HDMI (DTV)

Résolution	Fréquence horizontale (kHz)	Fréquence verticale (Hz)
720 x 480	31,469 31,500	59,940 60,000
720 x 576	31,250	50,000
1280 x 720	37,500	50,000
1280 x 720	44,960 45,000	59,940 60,000
1920 x 1080	33,720 33,750	59,940 60,000
1920 x 1080	28,125	50,000
1920 x 1080	27,000	24,000
1920 x 1080	33,750	30,000
1920 x 1080	56,250	50,000
1920 x 1080	67,430 67,500	59,940 60,000

## Information sur la connexion aux ports composantes

Ports composantes du téléviseur	Y	P <sub>B</sub>	P <sub>R</sub>
Ports de sortie vidéo sur lecteur DVD	Y	P <sub>B</sub>	P <sub>R</sub>
	Y	B-Y	R-Y
	Y	C <sub>b</sub>	C <sub>r</sub>
	Y	P <sub>b</sub>	P <sub>r</sub>

# SÉCURITÉ DES ENFANTS:

L'endroit et la façon dont vous utilisez  
votre écran plat font une différence

**Félicitations pour votre achat! Tout en profitant de votre nouveau produit, veuillez vous rappeler de ces conseils de sécurité :**



## LE PROBLÈME

- L'attrait du cinéma maison est en croissance constante et les écrans plats géants sont des achats populaires. Cependant, les écrans plats ne sont pas toujours installés sur les supports appropriés ou selon les recommandations du fabricant.
- Les écrans plats installés de façon inappropriée sur des commodes, bibliothèques, étagères, bureaux, haut-parleurs, coffres ou chariots peuvent tomber et entraîner des blessures.

## CE FABRICANT-CI S'EN SOUCIE!

- L'industrie des appareils électroniques pour les consommateurs est engagée à faire en sorte que le cinéma maison soit agréable et sûr.

## FAITES ATTENTION À LA SÉCURITÉ

- Une seule grandeur ne convient pas à TOUS. Suivez les recommandations du fabricant pour l'installation et l'utilisation sûres de votre écran plat.
- Lisez attentivement toutes les directives pour l'utilisation appropriée de ce produit et comprenez-les bien.
- Ne permettez pas aux enfants de grimper ou de jouer avec les meubles et les téléviseurs.
- Ne placez pas les écrans plats sur des meubles qui peuvent facilement se transformer en marches comme une commode avec tiroirs.
- Souvenez-vous que les enfants s'excitent souvent en visionnant un programme surtout sur un écran plat «plus grand que normal». Il faut faire attention d'installer l'écran là où il ne peut pas être poussé, tiré ou basculé.
- Il faut faire attention de placer les fils et les câbles connectés à l'écran plat de façon à ce que des enfants curieux ne puissent pas les tirer ou les accrocher.

## INSTALLATION MURALE : SI VOUS DÉCIDEZ D'ACCROCHER VOTRE ÉCRAN PLAT AU MUR, TOUJOURS :

- Utiliser un support recommandé par le fabricant de l'écran et/ou répertorié par un laboratoire indépendant (comme UL, CSA, ETL).
- Suivre toutes les directives fournies par les fabricants de l'écran et du support mural.
- Si vous n'êtes pas certain de pouvoir installer l'écran plat en toute sécurité, communiquez avec votre détaillant au sujet d'une installation professionnelle.
- Assurez-vous que le mur où vous désirez installer l'écran convient. Certains supports muraux ne sont pas conçus pour être accrochés sur des murs avec colombage en acier ou sur une construction de bloc de ciment. Si vous n'êtes pas certain, communiquez avec un installateur professionnel.
- Il faut un minimum de deux personnes pour l'installation. Les écrans plats peuvent être lourds.





# LG

Life's Good

### Declaration of Conformity

Trade Name: LG  
Model : 24LN4510, 29LN4510  
Responsible Party: LG Electronics Inc.  
Address : 1000 Sylvan Ave.  
Englewood Cliffs NJ 07632  
U.S.A  
TEL: 201-266-2534

Veillez lire les consignes de sécurité avant d'utiliser ce produit.  
Conservez le guide d'utilisation dans un endroit facile d'accès pour le consulter ultérieurement.  
Le modèle et le numéro de série du téléviseur sont situés à l'arrière et sur un côté. Inscrivez-les ci-dessous au cas où vous auriez besoin de service.

MODÈLE \_\_\_\_\_

NUMÉRO DE SÉRIE \_\_\_\_\_

### Centre d'information à la clientèle LG

Pour toute question ou commentaire,  
accédez à [www.lg.com](http://www.lg.com) ou appelez ;

<b>1-800-243-0000</b>	USA, Consumer User
<b>1-888-865-3026</b>	USA, Commercial User
<b>1-888-542-2623</b>	CANADA

### Enregistrez votre produit en ligne !

[www.lg.com](http://www.lg.com)



Ce produit est conforme ENERGY STAR dans le réglage défaut «d'usine (Résidentielle)».

Modifier les réglages d'usine par défaut ou activer d'autres fonctionnalités augmente la consommation d'énergie qui pourrait alors dépasser les limites de la qualification Energy Star.