



LG

Life's Good

ENGLISH

OWNER'S MANUAL

CINEMA 3D MONITOR

Please read this manual carefully before operating your set and retain it for future reference.

CINEMA 3D MONITOR MODEL

D2343PB

D2743PB

WARNING: This product contains chemicals known to the State of California to cause cancer and birth defects or other reproductive harm. ***Wash hands after handling.***

CONTENTS

3 ASSEMBLING AND PREPARING

- 3 Unpacking
- 4 Parts and buttons
- 5 Setting up the Monitor set
 - 5 - Attaching the Stand Base
 - 6 - Detaching the Stand Base
 - 7 - Mounting on a table
 - 7 - Using the cable holder
 - 9 - Mounting on a wall

10 USING THE MONITOR SET

- 10 Connecting to a PC
 - 10 - D-SUB connection
 - 10 - DVI-D connection
 - 10 - HDMI connection

12 CUSTOMIZING SETTINGS

- 13 Customizing Settings
 - 13 - Menu Settings
 - 14 -PICTURE
 - 15 -COLOR
 - 16 -DISPLAY
 - 16 -VOLUME
 - 17 -OTHERS
 - 18 -FUNC.Settings
 - 18 -3D SETTINGS
 - 19 -Setting Dual Play
- 20 PICTURE MODE
 - 21 -SUPER+RESOLUTION
- 22 SUPER ENERGY SAVING

23 TROUBLESHOOTING

25 TROUBLESHOOTING WHEN USING 3D MODE

26 SPECIFICATIONS

- 26 D2343PB
- 27 D2743PB
- 28 Preset Modes (Resolution)
- 29 Indicator

30 SAFETY PRECAUTIONS

- 30 - Precautions to take when viewing 3D images
- 30 - When using 3D Glasses

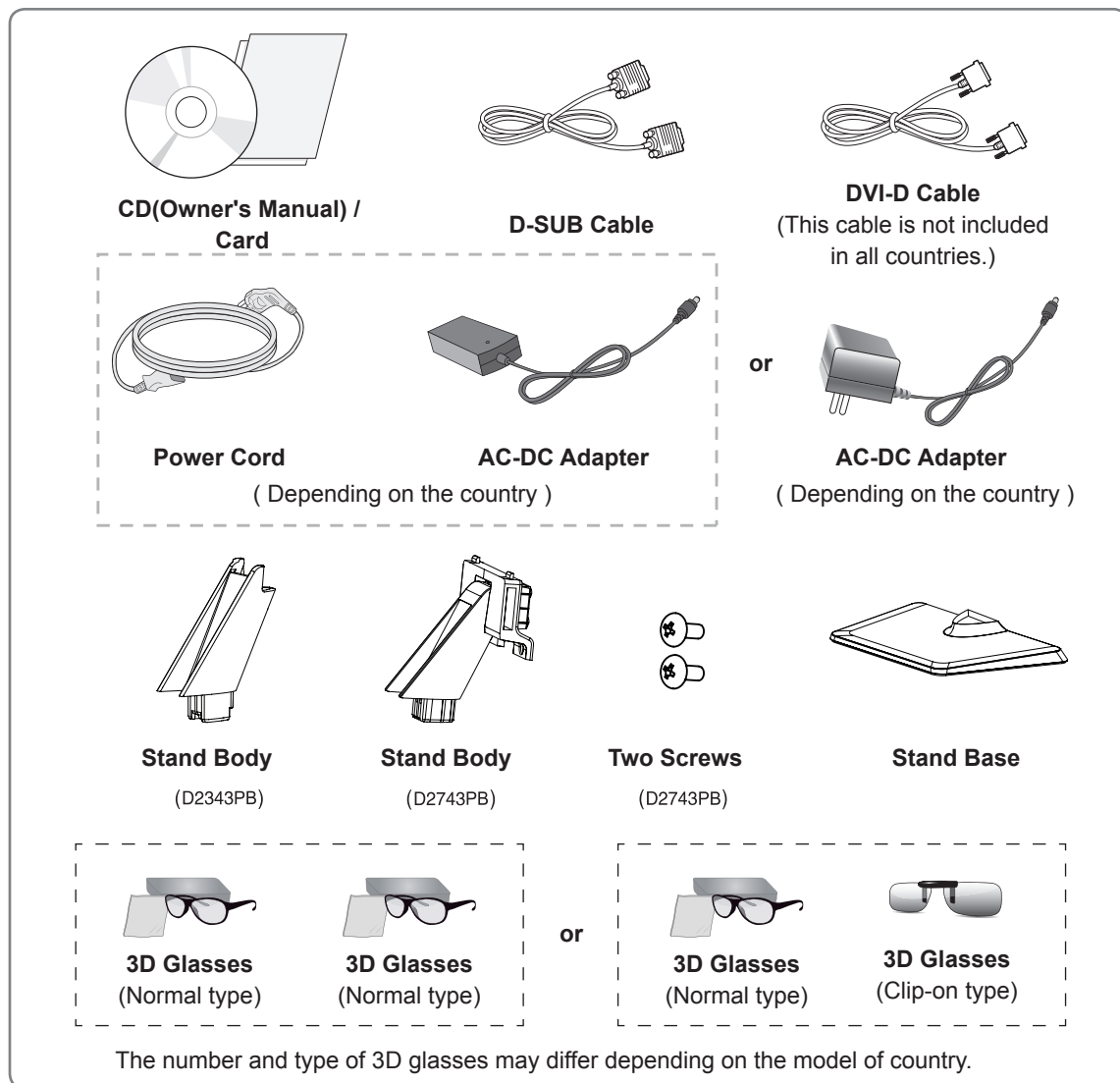
31 PROPER POSTURE

- 31 Proper posture for using the Monitor set.
- 31 Precautions to take when viewing 3D images

ASSEMBLING AND PREPARING

Unpacking

Check your product box for the following items. If there are any missing accessories, contact the local dealer where you purchased your product. The illustrations in this manual may differ from the actual product and accessories.



CAUTION

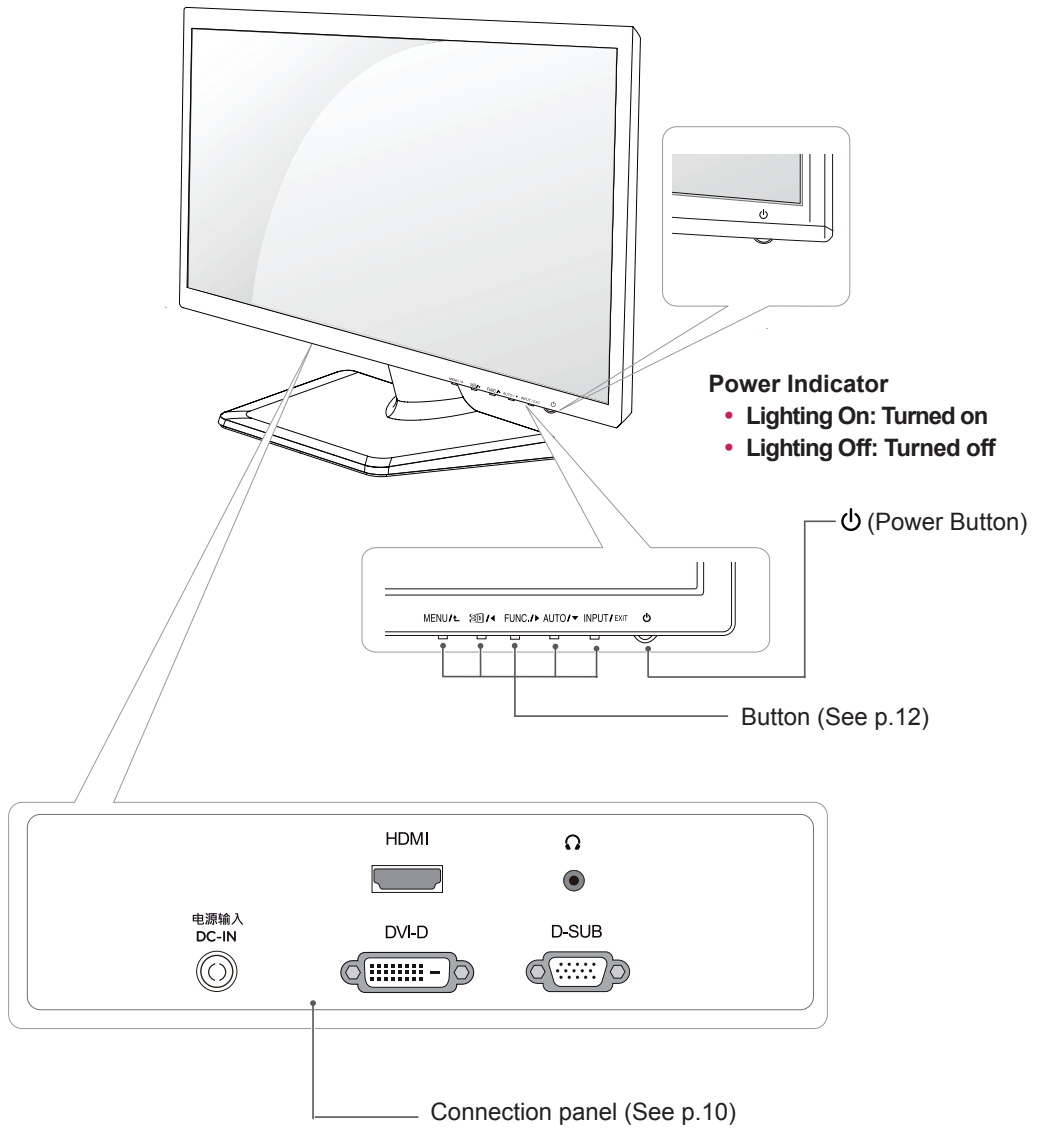
- Do not use any unapproved accessories to ensure the safety and product life span.
- Any damages or injuries by using unapproved accessories are not covered by the warranty.



NOTE

- The accessories supplied with your product may vary depending on the model.
- Product specifications or contents in this manual may be changed without prior notice due to upgrade of product functions.

Parts and buttons



Setting up the Monitor set

Attaching the Stand Base

- 1 Place the Monitor set with the screen side down on a flat and cushioned surface.

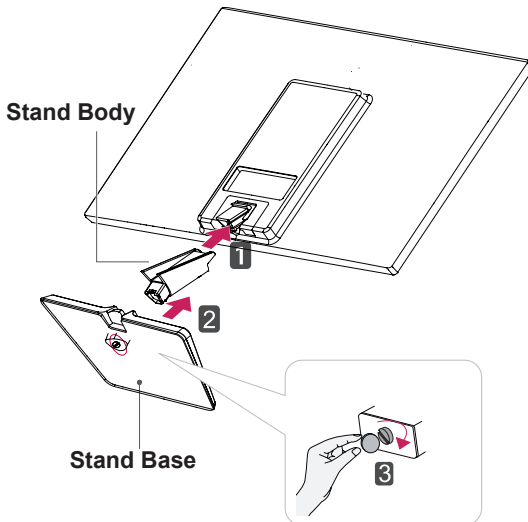


CAUTION

Lay a foam mat or soft protective cloth on the surface to protect the screen from damage.

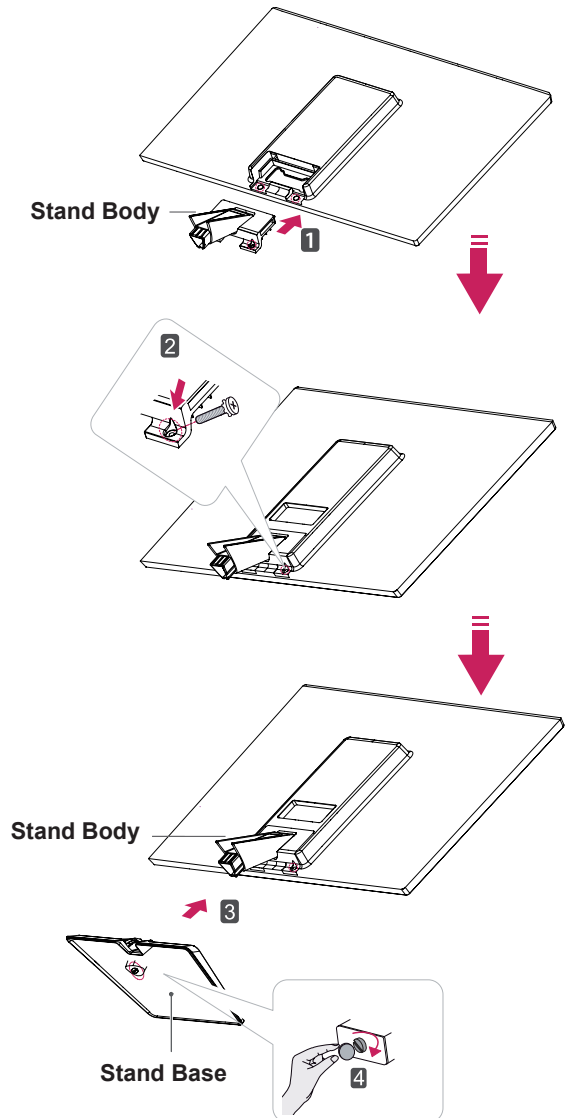
2 **D2343PB**

- 1 Attach the **Stand Body** to the monitor set.
- 2 Attach the **Stand Base**.
- 3 Tighten the screw to the right with a coin.



D2743PB

- 1 Attach the **Stand Body** to the monitor set.
- 2 Use two screws to fix the **Stand Body** and monitor set.
- 3 Attach the **Stand Base**.
- 4 Tighten the screw to the right with a coin.

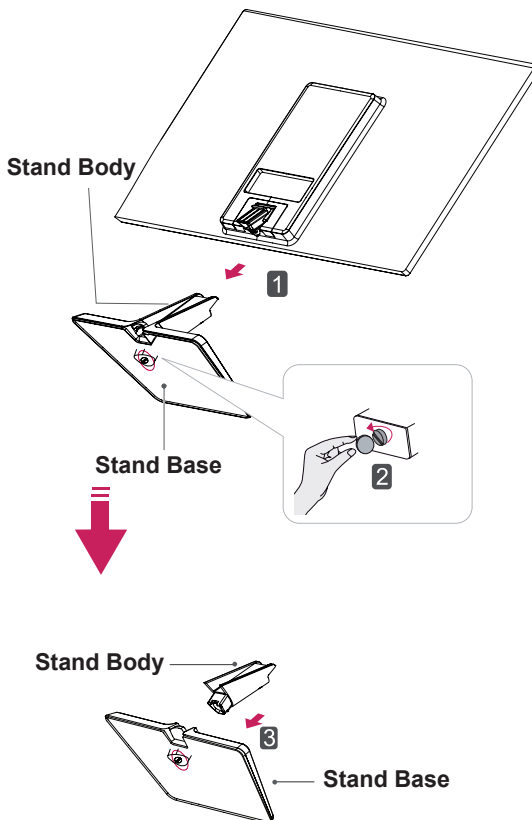


Detaching the Stand Base

- 1 Place the Monitor set with the screen side down on a flat and cushioned surface.

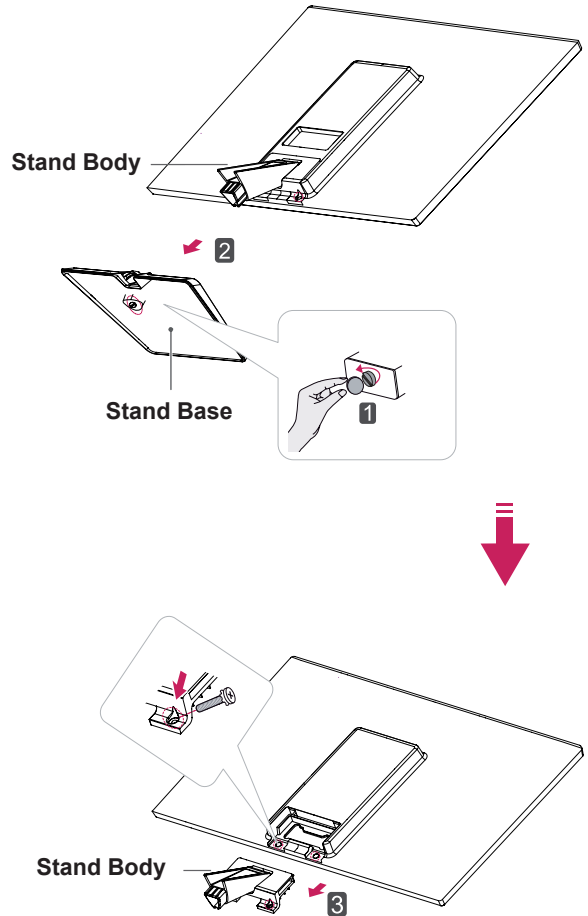
2 **D2343PB**

- 1 Pull out the **Stand Body** and **Stand Base** from the monitor set.
- 2 Turn the screw to the left with a coin.
- 3 Pull out the **Stand Base**.



D2743PB

- 1 Turn the screw to the left with a coin.
- 2 Pull out the **Stand Base** from the **Stand Body**.
- 3 Remove two screws and pull out the **Stand Body** from the monitor set.



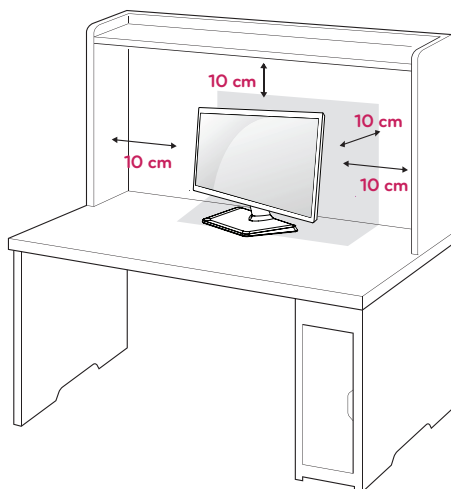
CAUTION

- This illustration depicts the general model of connection. Your monitor may differ from the items shown in the picture.
- Do not carry the product upside down holding only the stand base. The product may fall and get damaged or injure your foot.

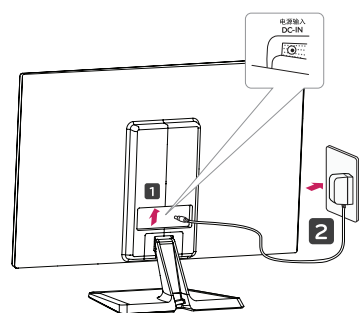
Mounting on a table

- 1 Lift and tilt the Monitor set into its upright position on a table.

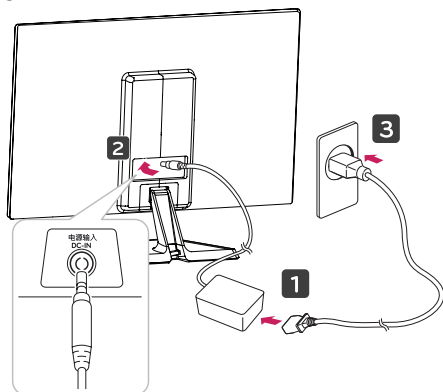
Leave a 10 cm (minimum) space from the wall for proper ventilation.



- 2 Connect the AC-DC Adapter and Power Cord to a wall outlet.



or



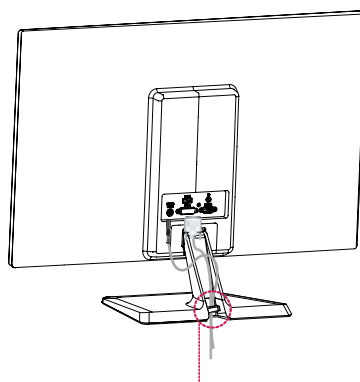
- 3 Press ⏻ (Power) button on the bottom switch panel to turn the power on.



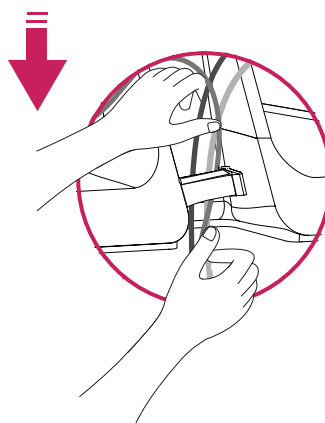
CAUTION

Unplug the power cord before moving the Monitor to another location. Otherwise electric shock may occur.

Using the cable holder

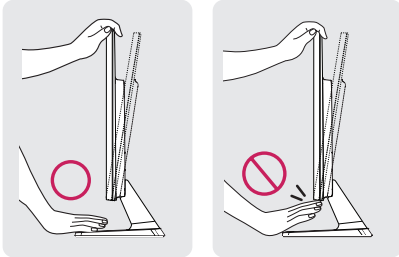


Cable holder

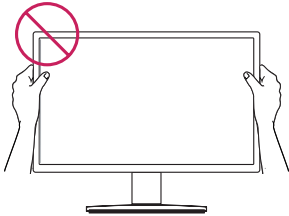


! WARNING

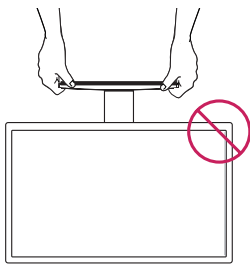
When you adjust the angle, do not hold the bottom of the Monitor set frame as shown on the following illustration, as may injure your fingers.



Do not touch or press the screen when adjusting the angle of the monitor.

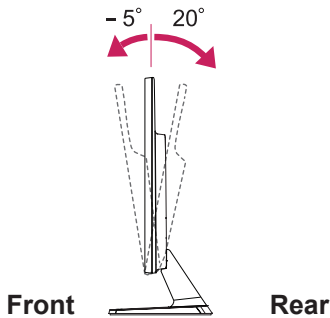


Do not hold this set like below picture. Monitor screen can detach from stand base and injure your body.



! NOTE

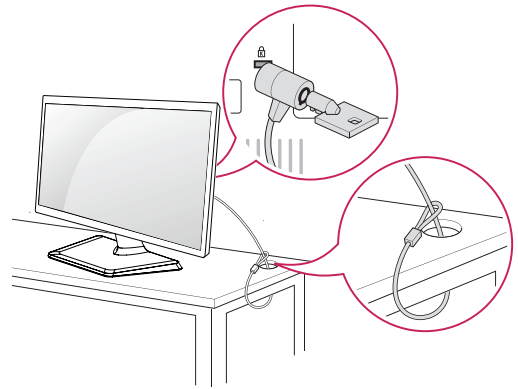
Tilt from +20 to -5 degrees up or down to adjust the angle of the Monitor set to suit your view.



Using the Kensington security system

The Kensington security system connector is located at the back of the Monitor set. For more information of installation and using, refer to the manual supplied with the Kensington security system or visit <http://www.kensington.com>.

Connect the Kensington security system cable between the Monitor set and a table.

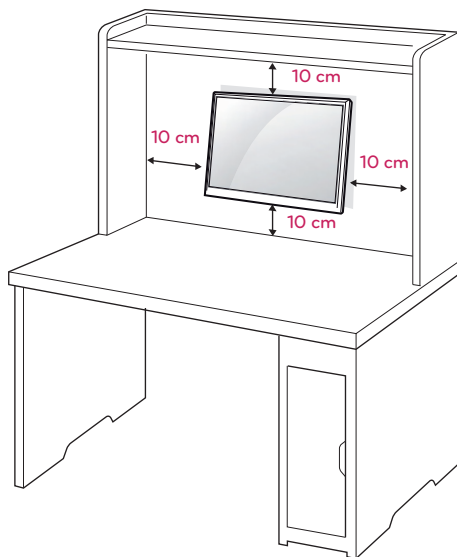


! NOTE

The Kensington security system is optional. You can obtain it from most electronics stores.

Mounting on a wall

For proper ventilation, allow a clearance of 10 cm on each side and from the wall. Detailed instructions are available from your dealer, see the optional Tilt Wall Mounting Bracket Installation and Setup Guide.



If you intend to mount the Monitor set to a wall, attach Wall mounting interface (optional parts) to the back of the set.

When you install the Monitor set using a wall mounting interface (optional parts), attach it carefully so it will not drop.

- 1 Please, Use the screw and wall mount interface in accordance with VESA Standards.
- 2 If you use screw longer than standard, the monitor might be damaged internally.
- 3 If you use improper screw, the product might be damaged and drop from mounted position. In this case, LG Electronics is not responsible for it.
- 4 VESA compatible.
- 5 Please use VESA standard as below.
 - 784.8 mm (30.9 inch) and under
 - * Wall Mount Pad Thickness : 2.6 mm
 - * Screw : Φ 4.0 mm x Pitch 0.7 mm x Length 10 mm
 - 787.4 mm (31.0 inch) and above
 - * Please use VESA standard wall mount pad and screws.

Model	D2343PB	D2743PB
VESA (A x B)	75 x 75	100 x 100
Standard screw	M4	
Number of screws	4	



CAUTION

- Disconnect the power cord first, and then move or install the Monitor set. Otherwise electric shock may occur.
- If you install the Monitor set on a ceiling or slanted wall, it may fall and result in severe injury.
- Use only an authorized LG wall mount and contact the local dealer or qualified personnel.
- Do not over tighten the screws as this may cause damage to the Monitor set and void your warranty.
- Use only screws and wall mounts that meet the VESA standard. Any damages or injuries by misuse or using an improper accessory are not covered by the warranty.



NOTE

- Use the screws that are listed on the VESA standard screw specifications.
- The wall mount kit will include an installation manual and necessary parts.
- The wall mount bracket is optional. You can obtain additional accessories from your local dealer.
- The length of screws may differ depending on the wall mount. Be sure to use the proper length.
- For more information, refer to the instructions supplied with the wall mount.

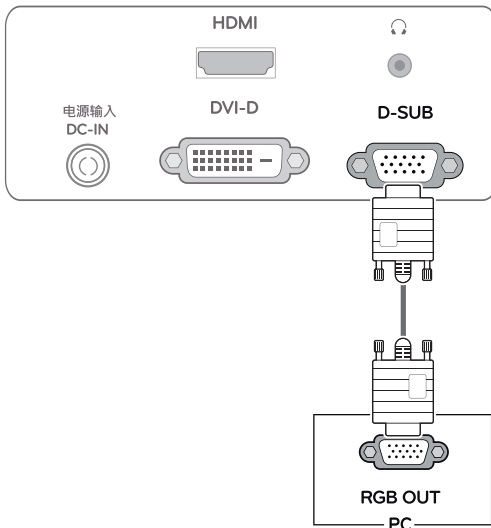
USING THE MONITOR SET

Connecting to a PC

- Your Monitor set supports Plug & Play*.
- *Plug & Play: A PC recognizes a connected device that users connect to a PC and turn on, without device configuration or user intervention.

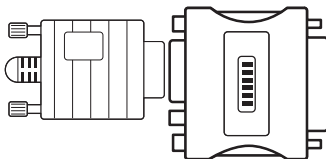
D-SUB connection

Transmits analog video from your PC to the Monitor set. Connect the PC and the Monitor set with the supplied D-sub 15 pin signal cable as shown in the following illustrations.



NOTE

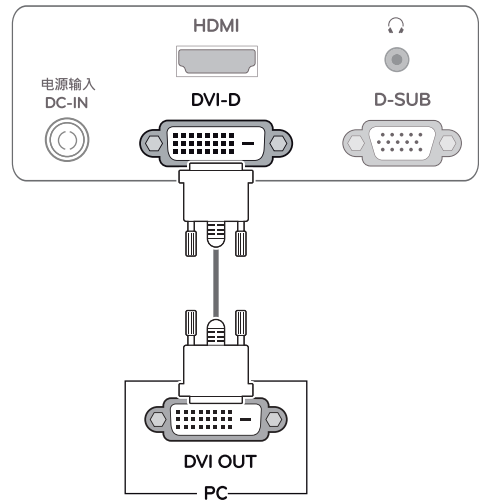
- When using a D-Sub signal input cable connector for Macintosh



- Mac adapter**
For Apple Macintosh use, a separate plug adapter is needed to change the 15 pin high density (3 row) D-SUB VGA connector on the supplied cable to a 15 pin 2 row connector.

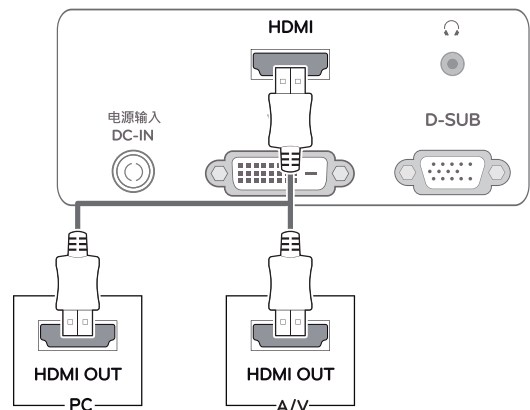
DVI-D connection

Transmits a digital video signal from your PC to the Monitor set. Connect the PC and the Monitor set with a DVI cable as shown in the following illustrations.



HDMI connection

Transmits the digital video and audio signals from your PC or A/V to the Monitor set. Connect the PC or A/V and the Monitor set with the HDMI cable as shown in the following illustrations.

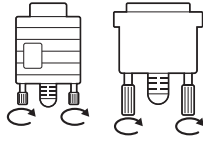


NOTE

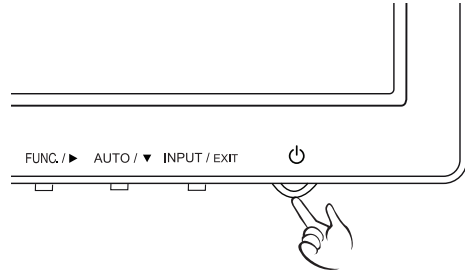
- If you use HDMI PC, it can cause compatibility problem.

**CAUTION**

- Connect the signal input cable and tighten it by turning the screws clockwise.
- Do not press the screen with your finger for a long time as this may result in temporary distortion on the screen.
- Avoid displaying a fixed image on the screen for a long period of time to prevent image burn. Use a screensaver if possible.

**Self Image Setting Function**

Press the power button on the bottom panel to turn the power on. When monitor power is turned on, the **"Self Image Setting"** Function is executed automatically. (Only supported in Analog Mode)

**NOTE**

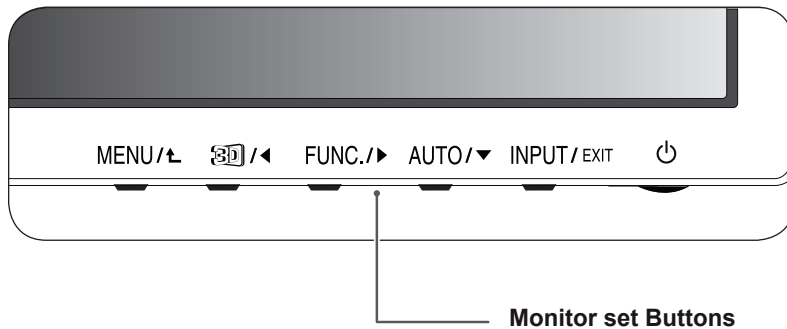
- When you want to use two PC in our Monitor, please connect the signal cable(D-SUB/ DVI-D/HDMI) respectively in Monitor set.
- If you turn the Monitor set on while it is cold, the screen may flicker. This is normal.
- Some red, green, or blue spots may appear on the screen. This is normal.

**NOTE**

- **"Self Image Setting" Function.**
This function provides the user with optimal display settings. When the user connects the monitor for the first time, this function automatically adjusts the display to optimal settings for individual input signals. (Only supported in Analog Mode)
- **'AUTO' Function.**
When you encounter problems such as blurry screen, blurred letters, screen flicker or tilted screen while using the device or after changing screen resolution, press the AUTO function button to improve resolution. (Only supported in Analog Mode)

CUSTOMIZING SETTINGS

- 1 Press the desired button on the bottom of the Monitor set.
- 2 Change the value of the menu item by pressing the buttons on the bottom of the Monitor set.
To return to the upper menu or set other menu items, use the up arrow (▲) button.
- 3 Select **EXIT** to leave the OSD menu.

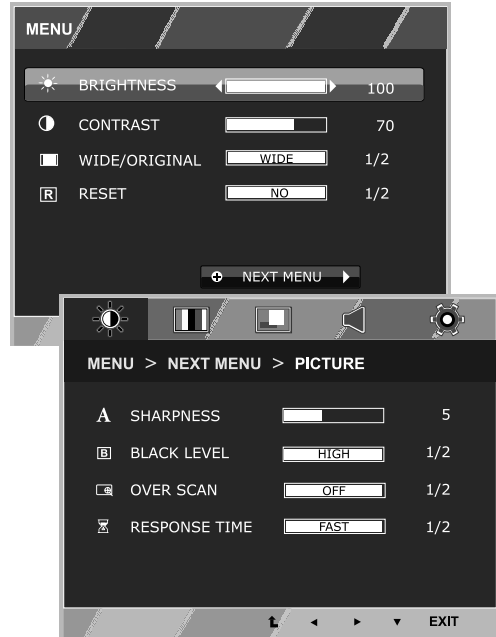


Button	Description	
MENU / ▲	Accesses the main menus.(See p.13)	
	OSD LOCKED/ UNLOCKED	This function allows you to lock the current control settings, so that they cannot be inadvertently changed. Press and hold the MENU button for several seconds. The message "OSD LOCKED" should appear. You can unlock the OSD controls at any time by pushing the MENU button for several seconds. The message "OSD UNLOCKED" should appear.
3D / ◀	The 2D → 3D hot key is used to move to the 3D Settings menu. Recognizes the input image automatically and displays 3D images without having the 3D mode on manually.	
FUNC. / ▶	Activates menus to select and adjust various functions.	
AUTO / ▼	When adjusting your display settings, always press the AUTO button on the MONITOR SETUP OSD. (Only supported in Analog Mode)	
	The best display mode	1920 x 1080
INPUT / EXIT	You can choose the input signal. <ul style="list-style-type: none"> • When two input signals are connected, you can select the input signal (D-SUB/DVI/HDMI) you want. • When only one signal is connected, it is automatically detected. The default setting is D-SUB. 	
	EXIT	
	Exit the OSD(On Screen Display).	
⏻ (Power Button)	Turns the power on or off.	
	Power Indicator	The power indicator stays red if the display is running properly (On Mode). If the display is in Sleep Mode, the power indicator blinks red.

Customizing Settings

Menu Settings

- 1 Press **MENU** button on the bottom of the Monitor set to display the **MENU** OSD.
- 2 Set the options by pressing the ◀ or ▶ or ▼ buttons.
- 3 Select the "**NEXT MENU**" button to enter the more option settings.
- 4 Select **EXIT** to leave the OSD menu.
To return to the upper menu or set other menu items, use the up arrow (⬆) button.



Each option is explained below.

MENU	Analog	Digital	HDMI	Description
BRIGHTNESS	•	•	•	To adjust the brightness, contrast of the screen
CONTRAST	•	•	•	
WIDE/ORIGINAL	•	•	•	WIDE
				Switch to full screen mode according to input image signal.
RESET	•	•	•	ORIGINAL
				Change the input image signal ratio to original. * This function works only if input resolution is lower than Monitor set ratio (16:9).
RESET	•	•	•	Restore all factory default settings. Press the ◀ , ▶ buttons to reset immediately.

MENU > NEXT MENU		Analog	Digital	HDMI	Description
PICTURE	SHARPNESS	•	•	•	To adjust the clearness of the screen .
	BLACK LEVEL			•	To set offset level
	OVER SCAN			•	To improve the clarity and stability of the screen
	RESPONSE TIME	•	•	•	To set the response time of displayed picture.
COLOR	GAMMA	•	•	•	To customize the color of the screen
	COLOR TEMP				
DISPLAY	HORIZONTAL	•			To adjust the position of the screen
	VERTICAL				
	CLOCK	•			To improve the clarity and stability of the screen
	PHASE				
VOLUME				•	To adjust the volume
OTHERS	LANGUAGE	•	•	•	To customize the screen status for a user's operating environment
	POWER INDICATOR				
	WHITE BALANCE				

- **Analog:** D-SUB(Analog signal) input.
- **Digital:** DVI-D(Digital signal) input.
- **HDMI:** HDMI(Digital signal) input.

PICTURE

- 1 Press **MENU** button on the bottom of the Monitor set to display the **MENU OSD**.
- 2 Select the "**NEXT MENU**" button to enter the more option settings.
- 3 Enter to **PICTURE** by pressing the ▼ button.
- 4 Set the options by pressing the ◀ or ▶ or ▼ buttons.
- 5 Select **EXIT** to leave the OSD menu.
To return to the upper menu or set other menu items, use the up arrow (⬆) button.



Each option is explained below.

MENU > NEXT MENU > PICTURE	Description
SHARPNESS	To adjust the clearness of the screen.
BLACK LEVEL	You can set the offset level. If you select 'HIGH', the screen will be bright and if you select 'LOW', the screen will be dark.(only for HDMI input) * Offset?As the criteria for video signal, it is the darkest screen the monitor can show.
OVER SCAN	To select the range of output image for DTV timing in HDMI input.(only for HDMI input)Recommend overscan function to turn on when connect AV equipment.
RESPONSE TIME	You can set a response time for displayed pictures based on the speed of the screen. For a normal environment, it is recommended that you use 'NORMAL'. For a fast-moving picture, it is recommended that you use 'FAST'.

- **OVER SCAN and RESPONSE TIME are disabled in 3D mode.**

COLOR

- 1 Press **MENU** button on the bottom of the Monitor set to display the **MENU** OSD.
- 2 Select the "**NEXT MENU**" button to enter the more option settings.
- 3 Select **COLOR** by pressing the ► button.
- 4 Enter to **COLOR** by pressing the ▼ button.
- 5 Set the options by pressing the ◀ or ▶ or ▼ buttons.
- 6 Select **EXIT** to leave the OSD menu.
To return to the upper menu or set other menu items, use the up arrow (⬆) button.

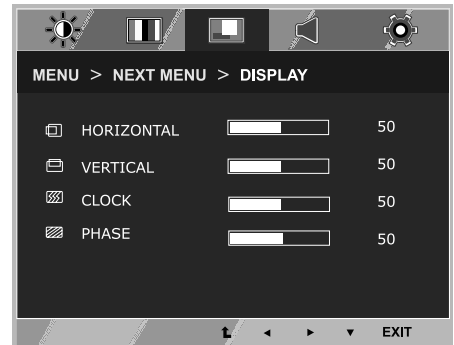


Each option is explained below.

MENU > NEXT MENU > COLOR	Description
GAMMA	Set your own gamma value. : GAMMA 0, GAMMA 1, GAMMA 2 on the monitor, high gamma values display whitish images and low gamma values display blackish images.
COLOR TEMP	<p>CUSTOM</p> <ul style="list-style-type: none"> • RED:Set your own red color levels. • GREEN: Set your own green color levels. • BLUE:Set your own blue color levels. <p>Select the screen color.</p> <p>WARM: Set the screen to warm color temperature (more red).</p> <p>MEDIUM: Set the screen to medium color temperature.</p> <p>COOL: Set the screen to cool color temperature (more blue).</p>

DISPLAY

- 1 Press **MENU** button on the bottom of the Monitor set to display the **MENU OSD**.
- 2 Select the "**NEXT MENU**" button to enter the more option settings.
- 3 Select **DISPLAY** by pressing the ► button.
- 4 Enter to **DISPLAY** by pressing the ▼ button.
- 5 Set the options by pressing the ◀ or ▶ or ▼ buttons.
- 6 Select **EXIT** to leave the OSD menu.
To return to the upper menu or set other menu items, use the up arrow (⬆) button.



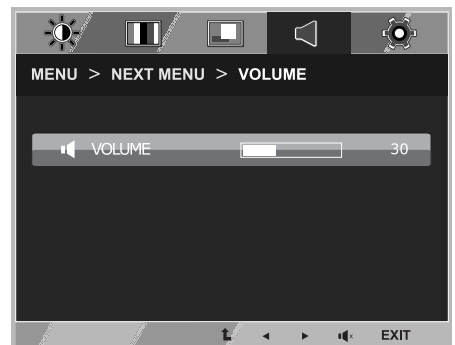
Each option is explained below.

MENU > NEXT MENU > DISPLAY	Description
HORIZONTAL	To move image left and right.
VERTICAL	To move image up and down.
CLOCK	To minimize any vertical bars or stripes visible on the screen background. The horizontal screen size will also change.
PHASE	To adjust the focus of the display. This item allows you to remove any horizontal noise and clear or sharpen the image of characters.

- This setting is only available for analog input.

VOLUME

- 1 Press **MENU** button on the bottom of the Monitor set to display the **MENU OSD**.
- 2 Select the "**NEXT MENU**" button to enter the more option settings.
- 3 Select **VOLUME** by pressing the ► button.
- 4 Enter to **VOLUME** by pressing the ▼ button.
- 5 Set the options by pressing the ◀ or ▶ buttons.
- 6 Select **EXIT** to leave the OSD menu.
To return to the upper menu or set other menu items, use the up arrow (⬆) button.

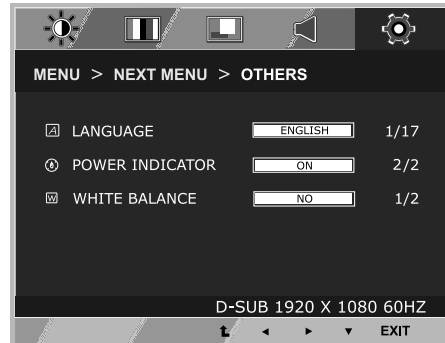


Each option is explained below.

MENU > NEXT MENU > VOLUME	Description
VOLUME	To adjust the volume of headphone/earphone. (Only for HDMI input)

OTHERS

- 1 Press **MENU** button on the bottom of the Monitor set to display the **MENU OSD**.
- 2 Select the "**NEXT MENU**" button to enter the more option settings.
- 3 Select **OTHERS** by pressing the ► button.
- 4 Enter to **OTHERS** by pressing the ▼ button.
- 5 Set the options by pressing the ◀ or ▶ or ▼ buttons.
- 6 Select **EXIT** to leave the OSD menu.
To return to the upper menu or set other menu items, use the up arrow (⬆) button.



Each option is explained below.

MENU > NEXT MENU > OTHERS	Description
LANGUAGE	To choose the language in which the control names are displayed.
POWER INDICATOR	Use this function to set the power indicator on the bottom side of the monitor to ON or OFF. If you set OFF, it will go off. If you set ON at any time, the power indicator will automatically be turned on.
WHITE BALANCE	If the output of the video card is different the required specifications, the color level may deteriorate due to video signal distortion. Using this function, the signal level is adjusted to fit into the standard output level of the video card in order to provide the optimal image. Activate this function when white and black colors are present in the screen.

- The white balance function is only available for analog input.

3D SETTINGS

- 1 To watch **3D**, press the 3D button at the bottom of the monitor.
- 2 To start 3D setting, press the ► button to go to the "**3D SETTINGS**" menu.
- 3 Select **EXIT** to leave the OSD menu.



Each option is explained below.

3D	Description
3D MODE	Recognizes the input image automatically and displays 3D images on the screen.

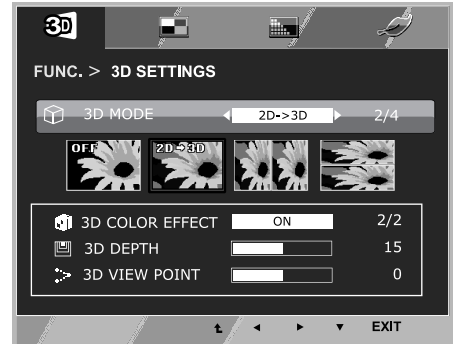
NOTE

- Set Media Player in "Full Screen" Mode to watch 3D movies.
- It is recommended to select 1920x1080@60Hz for optimal 3D viewing.
- When the 3D mode is activated, the OSD size increases to 3D OSD.

FUNC.Settings

3D SETTINGS

- To display the **3D** OSD, press the **FUNC.** button at the bottom of the monitor.
- Press the **◀**, **▶** or **▼** button to change settings.
- Select **EXIT** to leave the OSD menu.
To return to the upper menu or set other menu items, use the up arrow (**⬆**) button.



Each option is explained below.

FUNC. > 3D SETTINGS	Description		
OFF	Displays the input data as it is.		
2D → 3D	A user can see 2D picture as 3D images.		
	3D COLOR EFFECT	The colors suitable for 3D pictures are applied.	
	3D DEPTH	Adjusts the stereoscopic effect of the 3D image converted from a 2D image.	
	3D VIEWPOINT	Adjusts the perspective of 3D picture.	
SIDE BY SIDE TOP & BOTTOM	SIDE BY SIDE: An image signal transmitted in side-by-side format is processed for viewing in 3D. TOP & BOTTOM: An image signal transmitted in up-and-down format is processed for viewing in 3D.		
	3D COLOR EFFECT	The colors suitable for 3D picture are applied	
	3D → 2D	Converts 3D images into 2D images.	
	3D L/R CHANGE	The L/R picture is switched. Select a screen with better 3D display quality.	
		R-L	The right output of the 3D image is displayed before the left.
	L-R	The left output of the 3D image is displayed before the right.	



CAUTION

- 3D Mode.

SIDE BY SIDE	TOP & BOTTOM

- Select the appropriate format according to the 3D input signal.
- If the 3D option selected is incorrect, images may not be displayed properly.
- To watch 3D images, select 3D mode.
- If 3D is converted to 2D for some content, the left or right image may be truncated, depending on the content.



NOTE

- The [2D → 3D] mode is available for all input modes.
- When input is changed, 3D mode is automatically turned off.
- Some menus may not work while watching 3D video.

Setting Dual Play

- 1 Connect a game console to the monitor.
- 2 To start Dual Play mode, press the FUNC. button at the bottom of the monitor.
- 3 Select the screen split mode supported by the game.
- 4 Put on the Dual Play glasses to enjoy game.



NOTE

- **What is Dual Play mode?**

When playing a 1:1 battle game with a game console, such as Playstation, Xbox and Wii, users used to play the game with the screen divided top and bottom or side by side.

With Dual Play mode, each player can enjoy the game with a full screen.

- To play in Dual Play mode, the Dual Play glasses (type A and B) are required.
- The Dual Play glasses are not provided with the monitor. Please purchase them separately.
- The game should support the screen split mode to be played in Dual Play mode.
(Operation type of Dual Play: Side by Side / Top & Bottom)
- If the screen does not look clear enough with the Dual Play glasses on, change the glasses with each other.
- You should choose proper glasses according to the operation type of Dual Play.



CAUTION

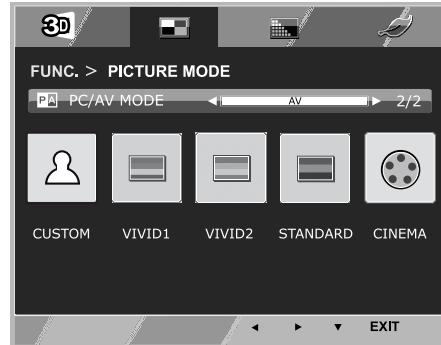
- Certain images may appear overlapped during playing game. It is recommended to play right in front of the screen.
- When the game console has a low resolution, the picture quality may not be good in Dual Play mode.
- Please note that Dual Play glasses are different from regular 3D glasses. There is the mark "Dual Play" written on the Dual Play glasses.

PICTURE MODE

- 1 To display the **PICTURE MODE** OSD, press the **FUNC.** button at the bottom of the monitor.
- 2 Set the options by pressing the ◀ or ▶ or ▼ buttons.
- 3 Select **EXIT** to leave the OSD menu.



< PC mode: D-Sub, DVI-D, HDMI input >



< AV mode: HDMI input >

- Options in PC/AV MODE are available only with HDMI input.

Each option is explained below.

FUNC. > PICTURE MODE> PC MODE	Description
CUSTOM	The user can adjust each element. The color mode of the main menu can be adjusted.
TEXT	The screen can be optimized for document processing.
PHOTO	The screen can be optimized to improve the visual effect of an image.
CINEMA	The screen can be optimized to improve the visual effect of a video.
GAME	The screen can be optimized for game play.

FUNC. > PICTURE MODE> AV MODE	Description
CUSTOM	A user can adjust each element. The color mode of main menu can be adjusted.
VIVID 1	The screen can be optimized for vivid visual effects.
VIVID 2	The screen can be optimized for more vivid visual effects.
STANDARD	The screen can be optimized to display normal picture quality.
CINEMA	The screen can be optimized to improve the visual effect of a video.

SUPER+RESOLUTION

- 1 To display **SUPER+RESOLUTION** OSD, press the **FUNC.** button on the bottom of the monitor.
- 2 Press ◀, ▶ or ▼ button to set up options.
- 3 Select **EXIT** to leave the OSD menu.



Each option is explained below.

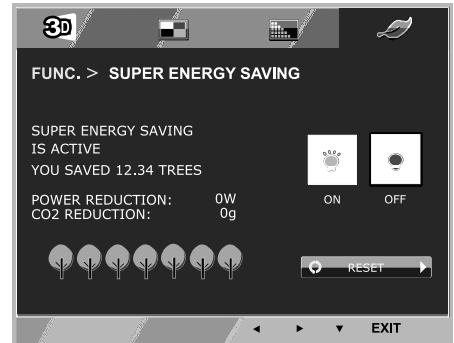
FUNC. > SUPER+ RESOLUTION	Description
OFF	Select this option for everyday viewing. SUPER+RESOLUTION is turned off in this mode.
LOW	The optimized picture quality is displayed when a user wants smooth and natural images. It is effective for slow-moving pictures or still images.
MEDIUM	The optimized picture quality is displayed when a user wants images between low and high modes for comfortable viewing. It is effective for UCC or SD video.
HIGH	Optimized picture quality is displayed when a user wants crystal clear images. It is effective for high quality video or game.

! NOTE

- Select SR (SUPER+ RESOLUTION) mode to display a blurred image as a sharp image. (Please note there may be a noise depending on the SR mode.)

SUPER ENERGY SAVING

- 1 To display **SUPER ENERGY SAVING** OSD, press the **FUNC.** button at the bottom of the monitor.
- 2 Set the options by pressing the ◀ or ▶ or ▼ buttons.
- 3 Select **EXIT** to leave the OSD menu.



Each option is explained below.

FUNC. >SUPER ENERGY SAVING	Description
ON	The SUPER ENERGY SAVING function is used to save energy to the maximum extent while using the monitor. When the SUPER ENERGY SAVING function is turned on, you can save as much energy as Super Energy Saving efficiency allows.
OFF	Disables the SUPER ENERGY SAVING function.
RESET	Resets the values of total energy consumption reduction and CO2 emission reduction.

! NOTE

- **POWER REDUCTION:** Total amount of reduced energy consumption.
- **CO2 REDUCTION:** Total amount of reduced CO2.
- **Energy saving data (W/h)**

	584 mm (23 inch)	686 mm (27 inch)
SUPER ENERGY SAVING	7 W/h	9 W/h

- The energy-saving data may vary depending on panel or panel supplier.
- LG measures the data by using a "Broadcast Video Signal".
(Broadcasting video included: IEC 62087)
- The Super Energy Saving data indicates how much energy can be saved when the Super Energy Saving function is used.

TROUBLESHOOTING

Check the following before calling for service.

No image appears	
Is the power cord of the display connected?	<ul style="list-style-type: none"> • Check and see if the power cord is connected properly to the power outlet.
Is the power indicator light on?	<ul style="list-style-type: none"> • Press the Power button.
Is the power on and the power indicator Red?	<ul style="list-style-type: none"> • Adjust the brightness and the contrast.
Is the power indicator flickering?	<ul style="list-style-type: none"> • If the display is in power saving mode, try moving the mouse or pressing any key on the keyboard to bring up the screen. • Try to turn on the PC.
Do you see an "OUT OF RANGE" message on the screen?	<ul style="list-style-type: none"> • This message appears when the signal from the PC (video card) is out of horizontal or vertical frequency range of the display. See the 'Specifications' section of this manual and configure your display again.
Do you see a "NO SIGNAL" message on the screen?	<ul style="list-style-type: none"> • When the monitor is on "No-Signal" in 5 minutes, the monitor goes to DPM mode.

Do you see a "OSD LOCKED" message on the screen?	
Do you see "OSD LOCKED" when you push MENU button?	<ul style="list-style-type: none"> • You can secure the current control settings, so that they cannot be inadvertently changed. You can unlock the OSD controls at any time by pushing the MENU button for several seconds: the message "OSD UNLOCKED" will appear.

Display image is incorrect	
Display Position is incorrect.	<ul style="list-style-type: none"> • Press the AUTO button to automatically adjust your display image to the ideal setting.
On the screen background, vertical bars or stripes are visible.	<ul style="list-style-type: none"> • Press the AUTO button to automatically adjust your display image to the ideal setting.
Any horizontal noise appearing in any image or characters are not clearly portrayed.	<ul style="list-style-type: none"> • Press the AUTO button to automatically adjust your display image to the ideal setting. • Check Control Panel ► Display ► Settings and adjust the display to the recommended resolution or adjust the display image to the ideal setting. Set the color setting higher than 24 bits (true color).



CAUTION

- Check **Control Panel ► Display ► Settings** and see if the frequency or the resolution were changed. If yes, readjust the video card to the recommend resolution.
- If the recommended resolution (optimal resolution) is not selected, letters may be blurred and the screen may be dimmed, truncated or biased. Make sure to select the recommend resolution.
- The setting method can differ by computer and O/S (Operation System), and resolution mentioned above may not be supported by the video card performance. In this case, please ask to the computer or the video card manufacturer.

Display image is incorrect	
The screen color is mono or abnormal.	<ul style="list-style-type: none"> • Check if the signal cable is properly connected and use a screwdriver to fasten if necessary. • Make sure the video card is properly inserted in the slot. • Set the color setting higher than 24 bits (true color) at Control Panel ► Settings.
The screen blinks.	<ul style="list-style-type: none"> • Check if the screen is set to interlace mode and if yes, change it to the recommend resolution.

Do you see an "Unrecognized monitor, Plug&Play (VESA DDC) monitor found" message?	
Have you installed the display driver?	<ul style="list-style-type: none"> • Be sure to install the display driver from the display driver CD (or diskette) that comes with your display. Or, you can also download the driver from our web site: http://www.lg.com. • Make sure to check if the video card supports Plug&Play function.

The screen is flickering.	
Did you select the recommended resolution?	<ul style="list-style-type: none"> • If the selected resolution is HDMI 1080i 60/50 Hz, the screen may be flickering. Change the resolution to the recommended resolution 1080P.

TROUBLESHOOTING WHEN USING 3D MODE

I can see a swirling oil-like pattern on the monitor when the monitor is turned off.

- This is caused by the interference of external light in the air layer between the LCD surface and 3D filter. The pattern becomes almost invisible when you turn on the power again.

I cannot see 3D image properly

If you are not using the glasses provided with the monitor,	<ul style="list-style-type: none"> • When you view 3D images with this monitor, it is very important that you use the glasses provided with the monitor. The glasses are designed to compensate optically for the 3D filter attached to the surface of the monitor. If you wear third-party glasses, you may not see 3D images properly on the monitor. 	
If you view 3D images outside the optimal viewing angle or distance,	D2343PB	<ul style="list-style-type: none"> • The optimal viewing angle of the monitor is 12° in vertical direction while 130° in horizontal direction; the monitor 3D viewing range is between 55 cm to 400 cm from the monitor. When you view 3D images outside the optimal viewing angle or the monitor 3D viewing range, the images may look overlapped or not be displayed properly in 3D.
	D2743PB	<ul style="list-style-type: none"> • The optimal viewing angle of the monitor is 12° in vertical direction while 120° in horizontal direction; the monitor 3D viewing range is between 55 cm to 500 cm from the monitor. When you view 3D images outside the optimal viewing angle or the monitor 3D viewing range, the images may look overlapped or not be displayed properly in 3D.
If you have not set the resolution,	<ul style="list-style-type: none"> • Please set the resolution of the monitor to the maximum (1920 x 1080 @ 60 Hz) in the display settings. The 3D software may not work properly if the resolution is not set to the maximum. 	
If the images that your left and right eyes see are reversed,	<ul style="list-style-type: none"> • The stripe images in the odd-numbered lines are the ones that your right eye sees on the monitor. If you only see the stripe images, not 3D images, set the images for your right eye to be displayed in the odd-numbered lines by changing the player or viewer option of the 3D software. 	

I cannot see 3D but only 2D images.

- This monitor works both in 2D and 3D mode. You can view a video in 3D if it is made in 3D. If you try to view 2D images in 3D, they might not be displayed properly or you may experience poor picture quality.

SPECIFICATIONS

D2343PB

Display	Screen Type	TFT (Thin Film Transistor) LCD (Liquid Crystal Display) Panel, Anti-Glare coating 58.4 cm visible diagonal (23 inch)
	Pixel Pitch	0.265 mm x 0.265 mm (Pixel Pitch)
Sync Input	Horizontal Frequency	30 kHz to 83 kHz (Automatic)
	Vertical Frequency	56Hz to 75Hz (D-SUB, DVI-D) 56Hz to 61Hz (HDMI)
	Input Form	Separate Sync. Digital
Video Input	Signal Input	15 pin D-SUB Connector /DVI-D Connector (Digital) HDMI Connector
	Input Form	RGB Analog (0.7 Vp-p/ 75 ohm), Digital
Resolution	Max	D-SUB(Analog) : 1920 x 1080 @ 60 Hz DVI / HDMI (Digital) : 1920 x 1080 @ 60 Hz
	Recommend	VESA 1920 x 1080 @ 60 Hz
Plug & Play	DDC 2B(Analog, Digital, HDMI)	
Power Consumption	On Mode : 25 W(Typ.) Sleep Mode ≤ 0.5 W Off Mode ≤ 0.5 W	
Power Input	19 V $\overline{\text{---}}$ 1.6 A	
AC-DC Adapter	Type ADS-40SG-19-3 19032G, manufactured by SHENZHEN HONOR ELECTRONIC or Type ADS-40FSG-19 19032GPG-1, manufactured by SHENZHEN HONOR ELECTRONIC or Type ADS-40FSG-19 19032GPBR-1, manufactured by SHENZHEN HONOR ELECTRONIC or Type ADS-40FSG-19 19032GPI-1, manufactured by SHENZHEN HONOR ELECTRONIC or Type ADS-40FSG-19 19032GPCU-1, manufactured by SHENZHEN HONOR ELECTRONIC or Type LCAP21A, manufactured by LIEN CHANG ELECTRONIC ENTERPRISE or Type LCAP26A-A, manufactured by LIEN CHANG ELECTRONIC ENTERPRISE or Type LCAP26A-E, manufactured by LIEN CHANG ELECTRONIC ENTERPRISE or Type LCAP26A-I, manufactured by LIEN CHANG ELECTRONIC ENTERPRISE or Type LCAP26A-B, manufactured by LIEN CHANG ELECTRONIC ENTERPRISE	
	OUTPUT: 19 V $\overline{\text{---}}$ 1.7 A	
Dimensions (Width x Height x Depth)	With Stand	54.4 cm x 40.6 cm x 18.1 cm
	Without Stand	54.4 cm x 33.2 cm x 5.5 cm
Weight	3.2 kg	
Tilt Range	-5° to 20°	
Environmental conditions	Operating Temperature	10°C to 35 °C
	Operating Humidity	10 % to 80 %
	Storage Temperature	-20°C to 60 °C
	Storage Humidity	5 % to 90 % non-Condensing

Product specifications shown above may be changed without prior notice due to upgrade of product functions.

SPECIFICATIONS

D2743PB

Display	Screen Type	TFT (Thin Film Transistor) LCD (Liquid Crystal Display) Panel, Anti-Glare coating 68.6 cm visible diagonal (27 inch)
	Pixel Pitch	0.311 mm x 0.311 mm (Pixel Pitch)
Sync Input	Horizontal Frequency	30 kHz to 83 kHz (Automatic)
	Vertical Frequency	56Hz to 75Hz (D-SUB, DVI-D) 56Hz to 61Hz (HDMI)
	Input Form	Separate Sync. Digital
Video Input	Signal Input	15 pin D-SUB Connector /DVI-D Connector (Digital) HDMI Connector
	Input Form	RGB Analog (0.7 Vp-p/ 75 ohm), Digital
Resolution	Max	D-SUB(Analog) : 1920 x 1080 @ 60 Hz DVI / HDMI (Digital) : 1920 x 1080 @ 60 Hz
	Recommend	VESA 1920 x 1080 @ 60 Hz
Plug & Play	DDC 2B(Analog,Digital,HDMI)	
Power Consumption	On Mode : 27 W(Typ.) Sleep Mode ≤ 0.5 W Off Mode ≤ 0.5 W	
Power Input	19 V --- 1.6 A	
AC-DC Adapter	Type ADS-40SG-19-3 19032G, manufactured by SHENZHEN HONOR ELECTRONIC or Type ADS-40FSG-19 19032GPG-1, manufactured by SHENZHEN HONOR ELECTRONIC or Type ADS-40FSG-19 19032GPBR-1, manufactured by SHENZHEN HONOR ELECTRONIC or Type ADS-40FSG-19 19032GPI-1, manufactured by SHENZHEN HONOR ELECTRONIC or Type ADS-40FSG-19 19032GPCU-1, manufactured by SHENZHEN HONOR ELECTRONIC or Type LCAP21A, manufactured by LIEN CHANG ELECTRONIC ENTERPRISE or Type LCAP26A-A, manufactured by LIEN CHANG ELECTRONIC ENTERPRISE or Type LCAP26A-E, manufactured by LIEN CHANG ELECTRONIC ENTERPRISE or Type LCAP26A-I, manufactured by LIEN CHANG ELECTRONIC ENTERPRISE or Type LCAP26A-B, manufactured by LIEN CHANG ELECTRONIC ENTERPRISE	
	OUTPUT: 19 V --- 1.7 A	
Dimensions (Width x Height x Depth)	With Stand	64.2 cm x 45.9 cm x 20.3 cm
	Without Stand	64.2 cm x 39.0 cm x 4.7 cm
Weight	4.8 kg	
Tilt Range	-5° to 20°	
Environmental conditions	Operating Temperature	10°C to 35 °C
	Operating Humidity	10 % to 80 %
	Storage Temperature	-20°C to 60 °C
	Storage Humidity	5 % to 90 % non-Condensing

Product specifications shown above may be changed without prior notice due to upgrade of product functions.

Preset Modes (Resolution)

Display Modes (Resolution)	Horizontal Frequency(kHz)	Vertical Frequency(Hz)	Polarity(H/V)	Remark
720 x 400	31.468	70	-/+	*
640 x 480	31.469	60	-/-	
640 x 480	37.500	75	-/-	*
800 x 600	37.879	60	+/+	
800 x 600	46.875	75	+/+	*
1024 x 768	48.363	60	-/-	
1024 x 768	60.023	75	+/+	*
1152 x 864	67.500	75	+/+	*
1280 x 1024	63.981	60	+/+	
1280 x 1024	79.976	75	+/+	*
1680 x 1050	65.290	60	-/+	
1920 x 1080	67.500	60	+/+	Recommend Mode

* HDMI PC mode not supported.

HDMI video 3D timing

Resolution	Play Rate	3D Format
1920x1080p	59.94 Hz / 50 Hz	Top & Bottom
		Side by Side (half)
1280x720p	59.94 Hz / 50 Hz	Frame Packing
		Top & Bottom
		Side by Side (half)
1920x1080i	59.94 Hz / 50 Hz	Side by Side (half)
1920x1080p	24 Hz / 30 Hz	Frame Packing
		Top & Bottom
		Side by Side (half)



CAUTION

- To play 3D videos in HDMI 3D Frame Packing, HDMI 3D Side by Side or HDMI 3D Top & Bottom, the media content and player need to support these formats.
- The video input in HDMI 3D format is automatically converted into 3D video.

HDMI TIMING

Display Modes (Resolution)	Horizontal Frequency(kHz)	Vertical Frequency(Hz)	
576P	31.25	50	
720P	37.50	50	
720P	45.00	60	
1080i	28.12	50	
1080i	33.75	60	
1080P	56.25	50	
1080P	67.50	60	Recommend Mode

Indicator

Mode	LED Color
On Mode	Red
Sleep Mode	Blinking Red
Off Mode	Off

SAFETY PRECAUTIONS

Precautions to take when viewing 3D images

If you view 3D images from too close a distance, your eyesight may deteriorate.

If you view images in 3D for a long period of time, you may feel dizzy or experience blurred vision.

If you are pregnant, elderly, have heart problems, experience severe nausea or if you are under the influence of alcohol, we recommend that you do not view 3D images. This is because the 3D images can cause disorientation and confusion.

Put fragile or breakable objects away when viewing 3D images. Such objects may break, or cause personal injuries when you are startled by the realistic 3D images.

Parents should prevent children who are 5 years or younger from watching 3D images because viewing 3D images can be harmful to vision development.



WARNING

Warning about photosensitivity seizures

Some users may have a seizure or other abnormal reactions when they are exposed to a flashing light or a particular pattern in a video game or film.

If anyone in your family has a history of epilepsy or has ever experienced any kind of seizure, please consult your doctor before viewing 3D images.

If you exhibit any of the symptoms listed below when viewing 3D images, stop viewing immediately and have a break.

- Dizziness, blurred vision or facial tics, involuntary movements, twitching, blackouts, confusion and disorientation. Please consult your doctor if such symptoms persist.

To prevent a photosensitivity seizure, please take the following precautions.

- Have a 5- to 15-minute break every hour.
- If your left and right eye sight is significantly different, correct the sight difference first.
- You should be able to see all of the screen at eye level.
- If you experience headaches, fatigue or dizziness, stop viewing and have a rest.
- Do not view 3D images when you are tired or ill.

Precautions to take when viewing 3D images



CAUTION

Parents/guardians should monitor children's viewing of 3D images because they may not be accustomed to the 3D viewing experience and lack knowledge on how to handle potential risks.

When using 3D Glasses

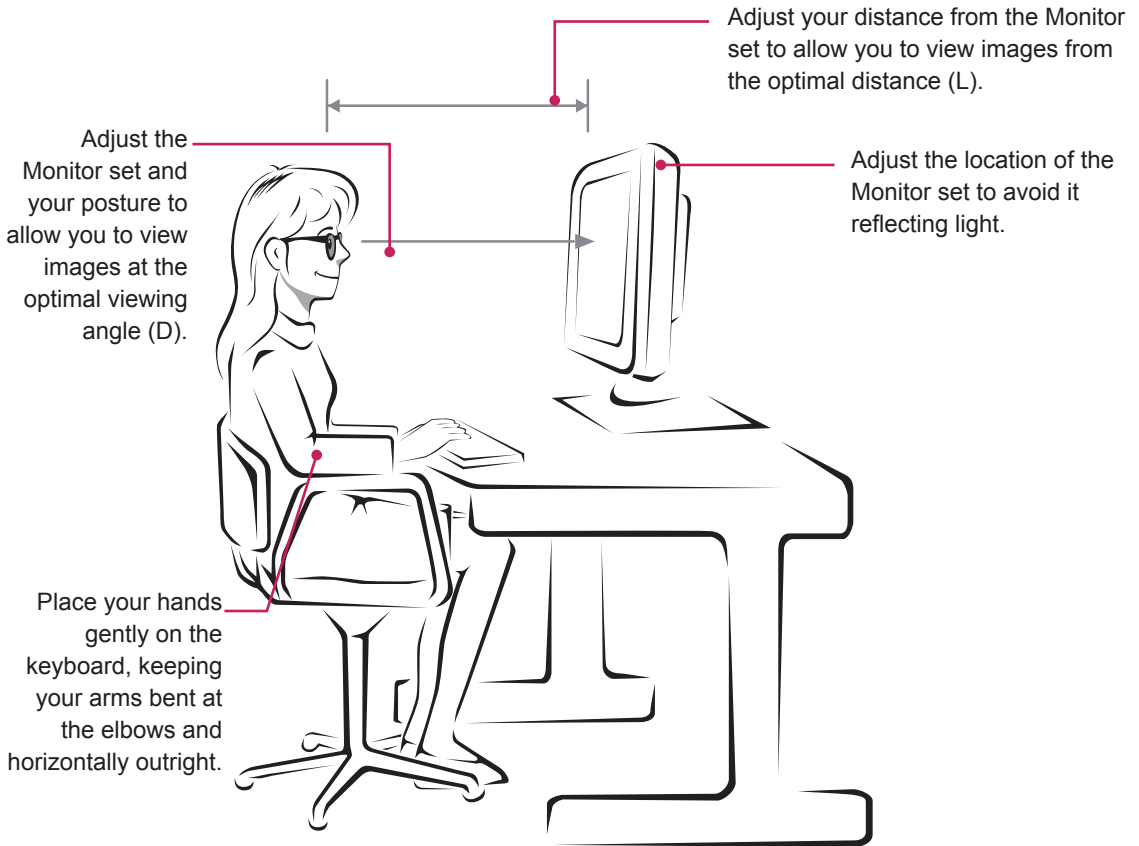


CAUTION

- Do not use the 3D glasses as regular glasses, sunglasses, or goggles. This may cause your vision to get worse.
- Do not keep the 3D glasses in an extremely hot or cold place. This may cause damage to the shape. Do not use the 3D glasses if they are damaged because this may cause your vision to get worse or dizziness.
- The lenses of the 3D glasses (polarizing film) are easily scratched. Use a soft and clean cloth when cleaning it. Do not use any chemicals.

PROPER POSTURE

Proper posture for using the Monitor set.



D2343PB

Mode	Size	Monitor 3D viewing range (L)	Monitor 3D optimal viewing distance (L)	Optimal viewing angle (D)
When viewing 3D images	58.4 cm	55 cm to 400 cm	90 cm	12°

D2743PB

Mode	Size	Monitor 3D viewing range (L)	Monitor 3D optimal viewing distance (L)	Optimal viewing angle (D)
When viewing 3D images	68.6 cm	55 cm to 500 cm	100 cm	12°

Precautions to take when viewing 3D images

- Wear the 3D glasses provided with the Monitor set.
- Watch your posture.
- Remain at the optimal distance and angle when viewing 3D images. (Viewing 3D images too closely may cause your vision to worsen, or you may experience dizziness.)



Make sure to read the Safety Precautions before using the product.

Keep the Owner's Manual (CD) in an accessible place for future reference.

The model and serial number of the SET is located on the back and one side of the SET. Record it below should you ever need service.

MODEL _____

SERIAL _____

ENERGY STAR is a set of power-saving guidelines issued by the U.S.Environmental Protection Agency(EPA).



As an ENERGY STAR Partner LGE U. S. A.,Inc. has determined that this product meets the ENERGY STAR guidelines for energy efficiency.