



LG

Life's Good

OWNER'S MANUAL LED TV*

* LG LED TV applies LCD screen with LED backlights.

Please read this manual carefully before operating your set and retain it for future reference.

LN54**

LP36**

LP63**

LP86**

TABLE OF CONTENTS

2 TABLE OF CONTENTS

3 LICENSES

3 OPEN SOURCE SOFTWARE NOTICE

4 INSTALLATION PROCEDURE

4 ASSEMBLING AND PREPARING

- 4 Unpacking
- 7 Separate purchase
- 8 Parts and buttons
- 9 Lifting and moving the TV
- 10 Setting up the TV
 - 10 - Attaching the stand
 - 11 - Mounting on a table
 - 14 - Mounting on a wall
 - 15 - Tidying cables
 - 16 - How to use Dual Lock™

17 MAKING CONNECTIONS

- 17 Antenna connection
- 17 Satellite dish Connection
- 18 HDMI connection
- 19 DVI to HDMI connection
- 20 RGB-PC connection
- 20 Component connection
- 21 Speaker output setup
- 22 USB connection
- 22 CI module connection
- 23 Euro Scart connection
- 23 Audio connection
 - 23 - Digital optical audio connection
- 24 Headphone connection
- 24 Network setup
 - 24 - Wired network connection
 - 25 - Wireless network connection
- 25 LED Clock connection

26 REMOTE CONTROL

29 MAINTENANCE

- 29 Cleaning your TV
 - 29 - Screen, frame, cabinet and stand
 - 29 - Power cord

29 TROUBLESHOOTING

30 CAUTION FOR USING EZSIGN

30 SPECIFICATIONS

34 IR CODES

35 EXTERNAL CONTROL DEVICE SETUP

- 35 RS-232C setup
- 35 Type of connector:
 - D-Sub 9-Pin Male
- 35 RS-232C configurations
- 36 Communication parameters
- 36 Command reference list
- 37 Transmission / Receiving Protocol

WARNING

- If you ignore the warning message, you may be seriously injured or there is a possibility of accident or death.

CAUTION

- If you ignore the caution message, you may be slightly injured or the product may be damaged.

NOTE

- The note helps you understand and use the product safely. Please read the note carefully before using the product.

LICENSES



Supported licenses may differ by model. For more information about licenses, visit www.lg.com.



Manufactured under license from Dolby Laboratories. "Dolby" and the double-D symbol are trademarks of Dolby Laboratories.



The terms HDMI and HDMI High-Definition Multimedia Interface, and the HDMI logo are trademarks or registered trademarks of HDMI Licensing LLC in the United States and other countries.



ABOUT DIVX VIDEO: DivX® is a digital video format created by DivX, LLC, a subsidiary of Rovi Corporation. This is an official DivX Certified® device that plays DivX video. Visit divx.com for more information and software tools to convert your files into DivX video.

ABOUT DIVX VIDEO-ON-DEMAND: This DivX Certified® device must be registered in order to play purchased DivX Video-on-Demand (VOD) movies. To obtain your registration code, locate the DivX VOD section in your device setup menu. Go to vod.divx.com for more information on how to complete your registration.

"DivX Certified® to play DivX® video up to HD 1080p, including premium content."

"DivX®, DivX Certified® and associated logos are trademarks of Rovi Corporation or its subsidiaries and are used under license."

Covered by one or more of the following U.S. patents :
7,295,673; 7,460,668; 7,515,710; 7,519,274

(Only LP860*)



Manufactured under license under U.S. Patent Nos: 5,956,674; 5,974,380; 6,487,535 & other U.S. and worldwide patents issued & pending. DTS, the Symbol & DTS and the Symbol together are registered trademarks & DTS 2.0+Digital Out is a trademark of DTS, Inc. Product includes software. © DTS, Inc. All Rights Reserved.

OPEN SOURCE SOFTWARE NOTICE

To obtain the source code under GPL, LGPL, MPL and other open source licenses, that is contained in this product, please visit <http://opensource.lge.com>.

In addition to the source code, all referred license terms, warranty disclaimers and copyright notices are available for download.

LG Electronics will also provide open source code to you on CD-ROM for a charge covering the cost of performing such distribution (such as the cost of media, shipping and handling) upon email request to opensource@lge.com. This offer is valid for three (3) years from the date on which you purchased the product.

NOTE

- Image shown may differ from your TV.
- Your TV's OSD (On Screen Display) may differ slightly from that shown in this manual.
- The available menus and options may differ from the input source or product model that you are using.
- New features may be added to this TV in the future.
- The TV can be placed in standby mode in order to reduce the power consumption. And the TV should be turned off if it will not be watched for some time, as this will reduce energy consumption.
- The energy consumed during use can be significantly reduced if the level of brightness of the picture is reduced, and this will reduce the overall running cost.

INSTALLATION PROCEDURE

- 1 Open the package and make sure all the accessories are included.
- 2 Attach the stand to the TV set.
- 3 Connect an external device to the TV set.

ASSEMBLING AND PREPARING

Unpacking

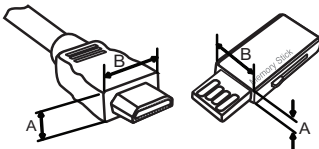
Check your product box for the following items. If there are any missing accessories, contact the local dealer where you purchased your product. The illustrations in this manual may differ from the actual product and item.

CAUTION

- Do not use any unapproved items to ensure the safety and product life span.
- Any damages or injuries by using unapproved items are not covered by the manufacturer's warranty.
- Some models have a thin film attached on to the screen and this must not be removed.

NOTE

- The items supplied with your product may vary depending on the model.
- Product specifications or contents of this manual may be changed without prior notice due to upgrade of product functions.
- For an optimal connection, HDMI cables and USB devices should have bezels less than 10 mm thick and 18 mm width. Use an extension cable that supports USB 2.0 if the USB cable or USB memory stick does not fit into your TV's USB port.

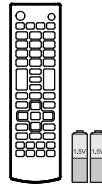


*A ≤ 10 mm

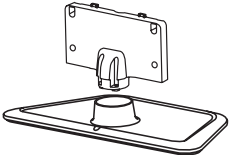
*B ≤ 18 mm



Owner's manual

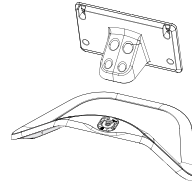


**Remote control,
batteries (AAA)**
(See p.26, 27, 28)



**Stand Body / Stand
Base**

(Only LP36**,
32/37/39/42/47LN54**,
LP63**)
(See p.10)



Stand Body / Stand Base
(Only LP860*, 55/60LN54**)
(See p.10)



SCART Gender Cable

(Only LP869*)
(See p.23)



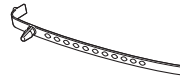
Stand screws

M4 x 14
(7EA : Only LP36**, LP63**,
32/37/39/42/47LN54**)
(8EA : Only LP860*,
55/60LN54**)
(See p.10)



Desk-mount screw

M4 x 20
(1EA: Only LP36**,
32/37/39/42/47LN54**, LP63**)
(2EA : Only 42/47LP860*)
(See p.12)

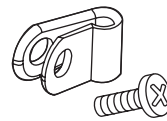


Cable holder
(Depending on model)
(See p.15)



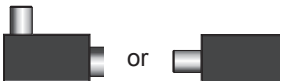
Power cord

(Depending on model)



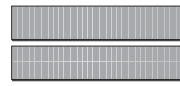
Protective bracket/bolt

(Only LN54**, LP36**,
LP63**)
(See p.15)



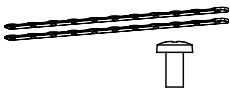
Isolator

(Depending on model)
(See p.6)



Dual Lock™

(Only LP63**)
(See p.16)



**Desk-mount Cable/
Bracket Screw**

M4 x 8
2EA
(Only 42/47LP860*)
(See p.12)



**Power Cord Holder
Coaxial Cable Holder**
(Depending on model)
(See p.15)



**Wall mount inner
spacers**

4EA
(Only 37LP869*)
(See p.14)

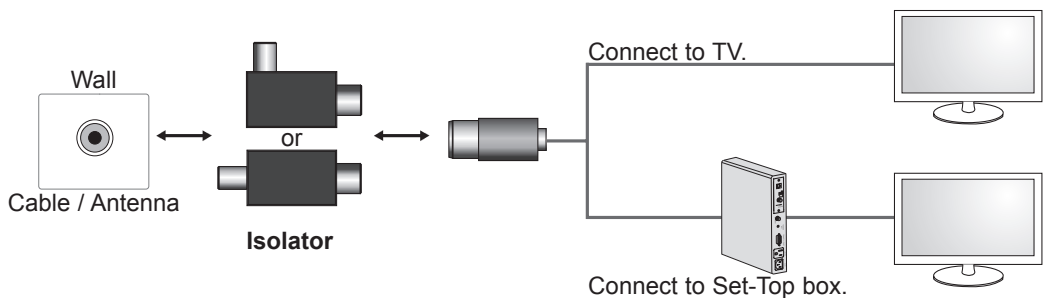


EzSign Editor CD
(Only LN549E)

! NOTE

- Antenna Isolator Installation Guide

- Use this to install TV in a place where there is a voltage difference between TV Set and GND of antenna signal.
- » If there is a voltage difference between TV Set and GND of antenna signal, the antenna contact might be heated and excessive heat might cause an accident.
- You can improve the safety when watching TV by efficiently removing power voltage from TV antenna. It is recommended to mount the isolator to the wall. If it cannot be mounted to the wall, mount it on the TV. Avoid disconnecting the antenna Isolator after installation.
- Before starting, be sure that the TV antenna is connected.



Connect one end of the isolator to cable/antenna jack and the other to TV set or set-top box.

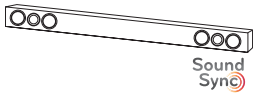
“Equipment connected to the protective earthing of the building installation through the mains connection or through other equipment with a connection to protective earthing - and to a cable distribution system using coaxial cable, may in some circumstances create a fire hazard. Connection to a cable distribution system has therefore to be provided through a device providing electrical isolation below a certain frequency range (galvanic isolator, see EN 60728-11)”

When applying the RF Isolator, a slight loss of signal sensitivity can occur.

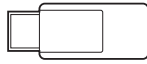
Separate purchase

Separate purchase items can be changed or modified for quality improvement without any notification. Contact your dealer to buy these items.

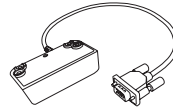
These devices only work with certain models.



LG Audio Device



Wireless Dongle
AN-WF100



LED Clock
LEC-001



Magic Remote
AN-MR300

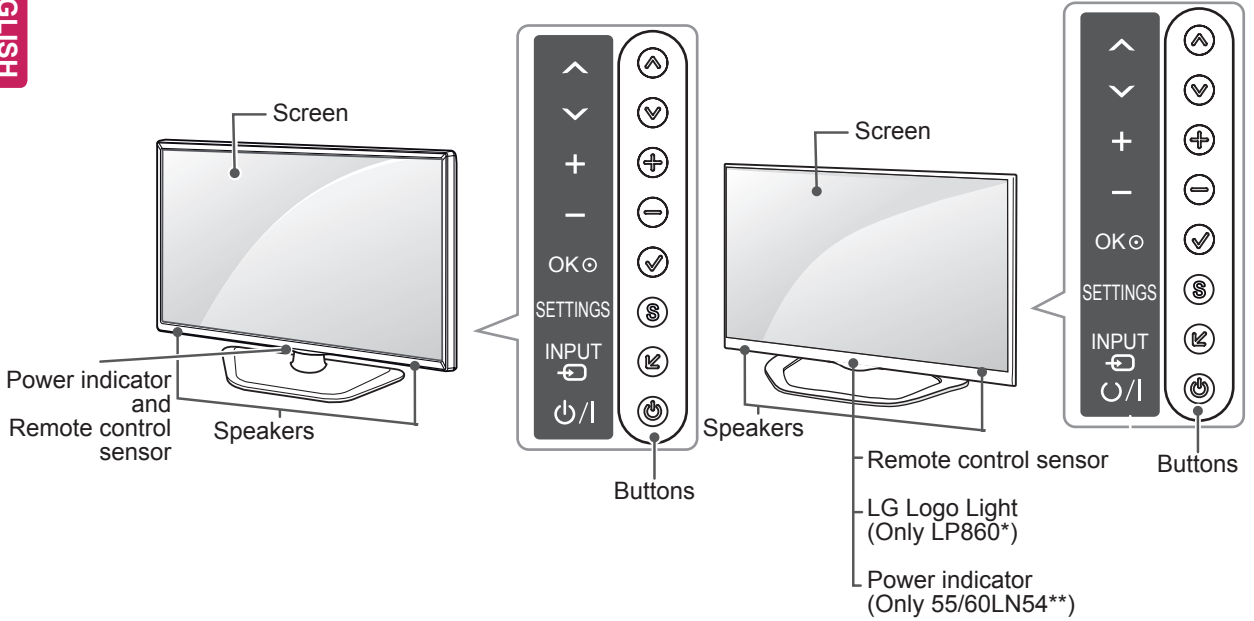
Compatibility	LN548C / LN549C / LP36**	LN549E	LP63**	LP860*	LP869*
LG Audio Device	•	•	•	•	•
Wireless Dongle AN-WF100		•			
LED Clock LEC-001			•	•	
AN-MR300 Magic Remote				•	•

The model name or design may be changed depending on the upgrade of product functions, manufacturer's circumstances or policies.

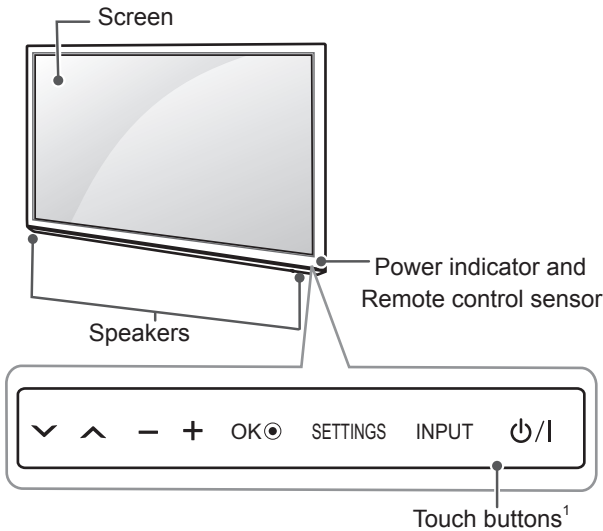
Parts and buttons

A type : LP36**, LP63**, 32/37/39/42/47LN54**

B type : LP860*, 55/60LN54**



C type : 37LP869*



Button	Description
^ v	Scrolls through the saved programmes.
+ −	Adjusts the volume level.
OK	Selects the highlighted menu option or confirms an input.
SETTINGS	Accesses the main menu, or saves your input and exits the menus.
INPUT	Changes the input source.
power	Turns the power on or off.

1 C type buttons are touch sensitive and can be operated through simple touch with your finger.

NOTE

- You can set the LG Logo Light or Power Indicator Light to on or off by selecting **OPTION** in the main menus.(Depending on model)

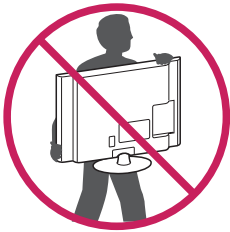
Lifting and moving the TV

When moving or lifting the TV, read the following to prevent the TV from being scratched or damaged and for safe transportation regardless of its type and size.

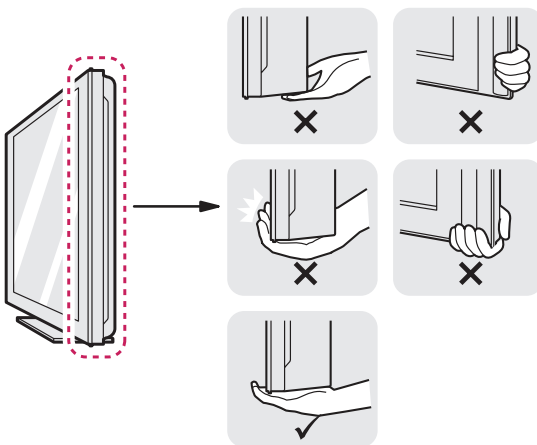


CAUTION

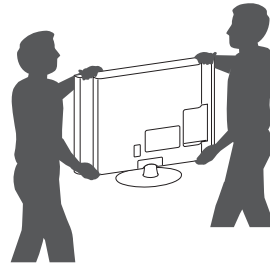
- Avoid touching the screen at all times, as this may result in damage to the screen.
- It is recommended to move the TV in the box or packing material that the TV originally came in.
- Before moving or lifting the TV, disconnect the power cord and all cables.
- When holding the TV, the screen should face away from you to avoid damage.



- Hold the top and bottom of the TV frame firmly. Make sure not to hold the transparent part, speaker, or speaker grill area.



- When transporting a large TV, there should be at least 2 people.
- When transporting the TV by hand, hold the TV as shown in the following illustration.



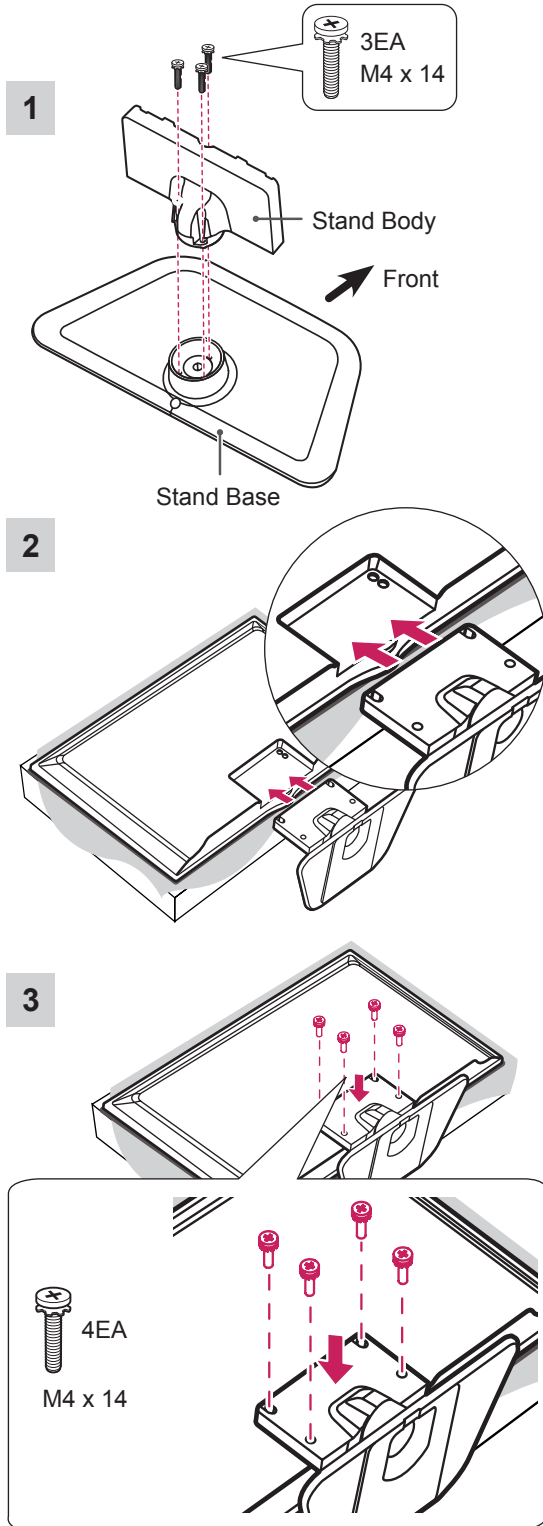
- When transporting the TV, do not expose the TV to jolts or excessive vibration.
- When transporting the TV, keep the TV upright, never turn the TV on its side or tilt towards the left or right.
- Do not apply excessive pressure to cause flexing/bending of frame chassis as it may damage screen.

Setting up the TV

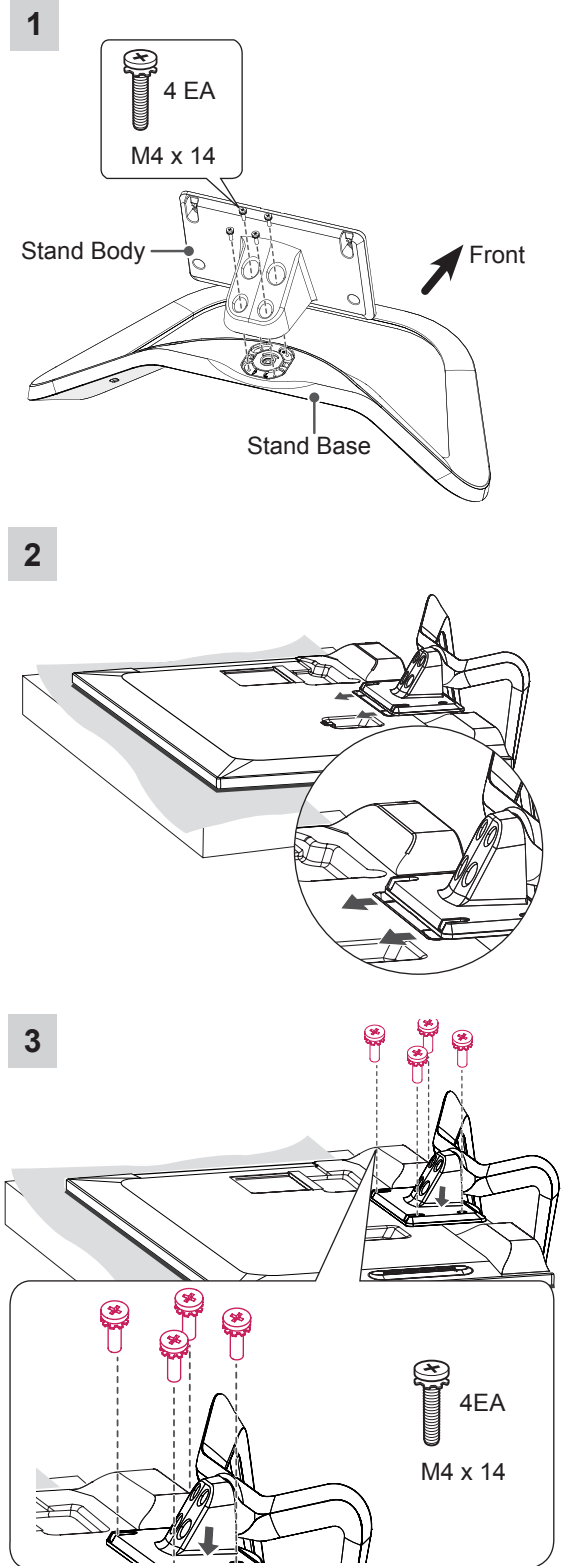
*Image shown may differ from your TV.

Attaching the stand

(Only LP36**, LP63**, 32/37/39/42/47LN54**)



(Only LP860*, 55/60LN54**)



CAUTION

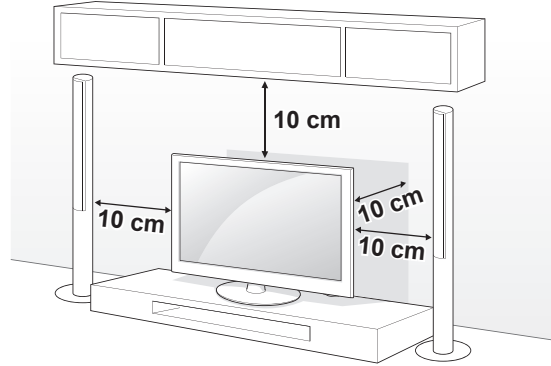
- When attaching the stand to the TV set, place the screen facing down on a cushioned table or flat surface to protect the screen from scratches.
- Make sure that the screws are inserted correctly and fastened securely. If they are not fastened securely enough, the TV may tilt forward after being installed. Do not use too much force and over tighten the screws; otherwise screw may be damaged and not tighten correctly.

NOTE

- Remove the stand before installing the TV on a wall mount by performing the stand attachment in reverse.

Mounting on a table

- 1 Lift and tilt the TV into its upright position on a table.
 - Leave a 10 cm (minimum) space from the wall for proper ventilation.



- 2 Connect the power cord to a wall outlet.

CAUTION

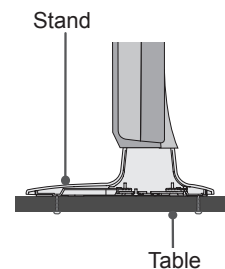
- Do not place the TV near or on sources of heat, as this may result in fire or other damage.

Attaching the TV to a table

Image shown may differ from your TV.
The TV must be attached to desk so it cannot be pulled in a forward/backward direction, potentially causing injury or damaging the product.
(Only 37/39/42/47LN54**, 37/39/42LP36**, 37/39/42LP63**)



4-Screws
(not provided as parts of the product)



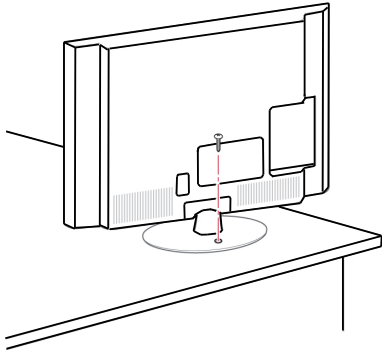
Screws: M5 x L (*L: Table depth + 8-10 mm)
ex) Table depth: 15mm, Screw: M5 x 25

Securing the TV to a table

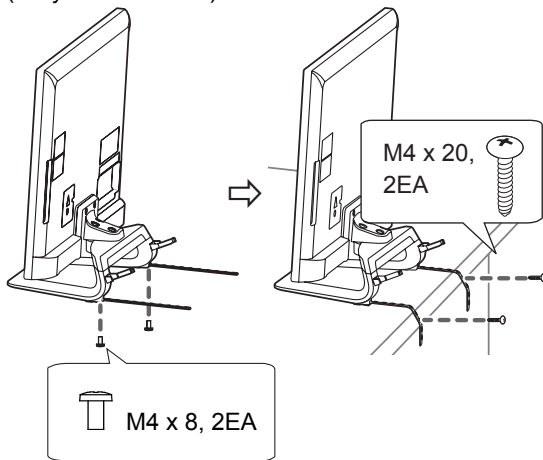
Fix the TV to a table to prevent from tilting forward, damage, and potential injury.

Mount the TV on a table, and then insert and tighten the supplied screw on the rear of the stand.

(Only 32/37/39/42/47LN54**, LP36**, LP63**)



(Only 42/47LP860*)



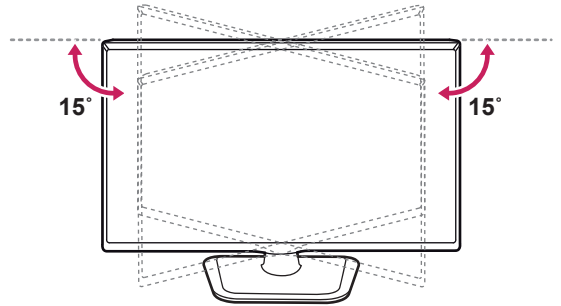
! WARNING

- To prevent TV from falling over, the TV should be securely attached to the floor/wall per installation instructions. Tipping, shaking, or rocking the TV may cause injury.

Adjusting the angle of the TV to suit view

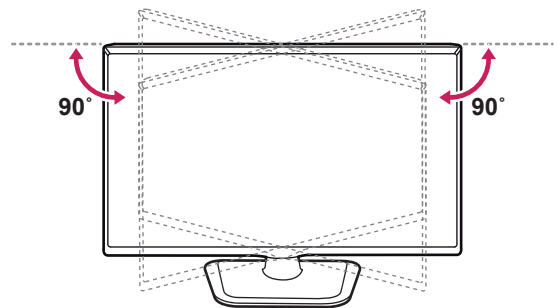
(Only 32/55/60LN54**, 32LP36**, 32LP63**, 42/47/55LP860*)

Swivel 15 degrees to the left or right and adjust the angle of the TV to suit your view.



(Only 37/39/42/47LN54**, 37/39/42LP36**, 37/39/42LP63**)

Swivel 90 degrees to the left or right and adjust the angle of the TV to suit your view.



! CAUTION

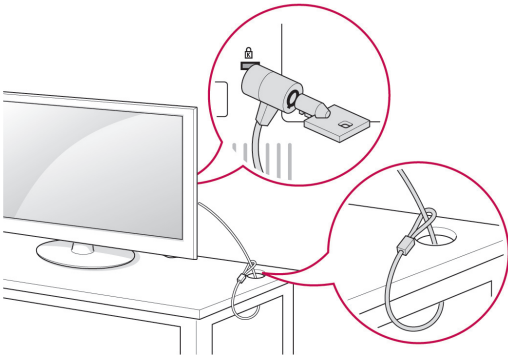
- When adjusting the angle of the product, watch out for your fingers.
 - » Personal injury may occur if hands or fingers are pinched. If the product is tilted too much, it may fall, causing damage or injury.

Using the Kensington security system

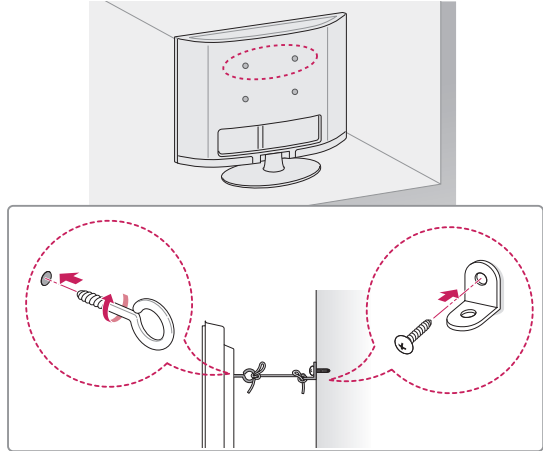
(This feature is not available for all models.)

The Kensington security system connector is located at the rear of the TV. For more information of installation and using, refer to the manual provided with the Kensington security system or visit <http://www.kensington.com>.

Connect the Kensington security system cable between the TV and a table.

**Securing the TV to a wall**

(This feature is not available for all models.)



- 1 Insert and tighten the eye-bolts, or TV brackets and bolts on the back of the TV.
 - If there are bolts inserted at the eye-bolts position, remove the bolts first.
- 2 Mount the wall brackets with the bolts to the wall.

Match the location of the wall bracket and the eye-bolts on the rear of the TV.
- 3 Connect the eye-bolts and wall brackets tightly with a sturdy rope.

Make sure to keep the rope horizontal with the flat surface.

**CAUTION**

- Make sure that children do not climb on or hang on the TV.

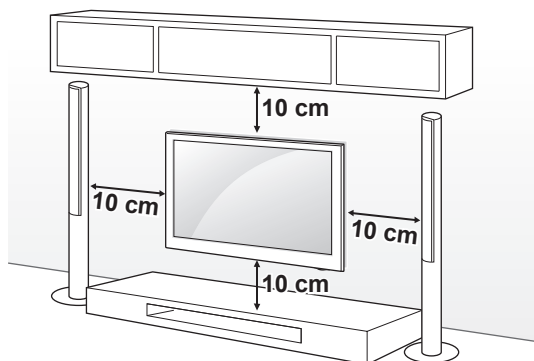
**NOTE**

- Use a platform or cabinet that is strong and large enough to support the TV securely.
- Brackets, bolts and ropes are not provided. You can obtain additional accessories from your local dealer.

Mounting on a wall

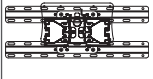
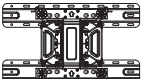
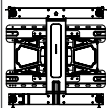
Attach an optional wall mount bracket at the rear of the TV carefully and install the wall mount bracket on a solid wall perpendicular to the floor. When you attach the TV to other building materials, please contact qualified personnel.

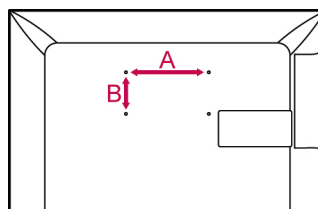
LG recommends that wall mounting be performed by a qualified professional installer.



Separate purchase (Wall Mounting Bracket)

Make sure to use screws and wall mount bracket that meet the VESA standard. Standard dimensions for the wall mount kits are described in the following table.

Model	32LN54** 32LP36** 32LP63**	37/39/42LN54** 37/39/42LP36** 37/39/42LP63** 37LP869*
VESA (A x B)	200 x 100	200 x 200
Standard screw	M4	M6
Number of screws	4	4
Wall mount bracket	LSW130B 	LSW230B 
Model	47/55/60LN54** 42/47/55LP860*	
VESA (A x B)	400 x 400	
Standard screw	M6	
Number of screws	4	
Wall mount bracket	LSW430B 	

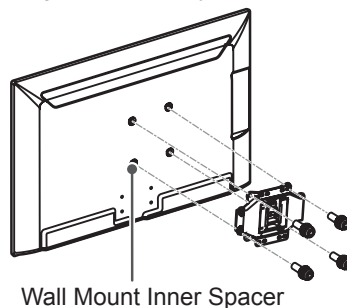


CAUTION

- Disconnect the power first, and then move or install the TV. Otherwise electric shock may occur.
- If you install the TV on a ceiling or slanted wall, it may fall and result in severe injury. Use an authorized LG wall mount bracket and contact the local dealer or qualified personnel.
- Do not over tighten the screws as this may cause damage to the TV and void your warranty.
- Use the screws and wall mount bracket that meet the VESA standard. Any damages or injuries by misuse or using an improper accessory are not covered by the warranty.

NOTE

- Use the screws that are listed on the VESA standard screw specifications.
- The wall mount kit includes an installation manual and necessary parts.
- The wall mount bracket is not provided. You can obtain additional accessories from your local dealer.
- The length of screws may differ depending on the wall mount. Make sure to use the proper length.
- For more information, refer to the manual supplied with the wall mount.
- When attaching a third-party wall mounting bracket to the TV, insert the wall mount inner spacers into the TV wall mount holes to move your TV in vertical angle. Please make sure not to use the spacers for LG wall mounting bracket. (Only 37LP869*)



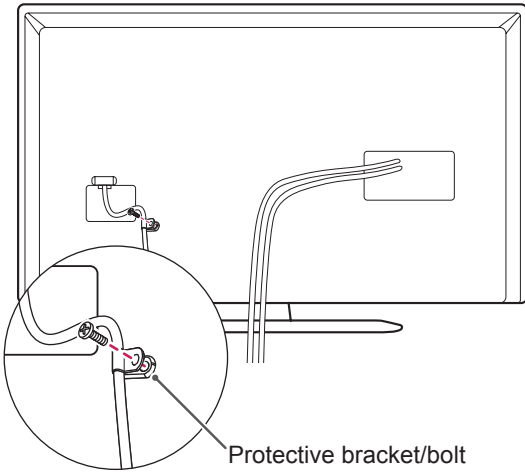
Wall Mount Inner Spacer

Tidying cables

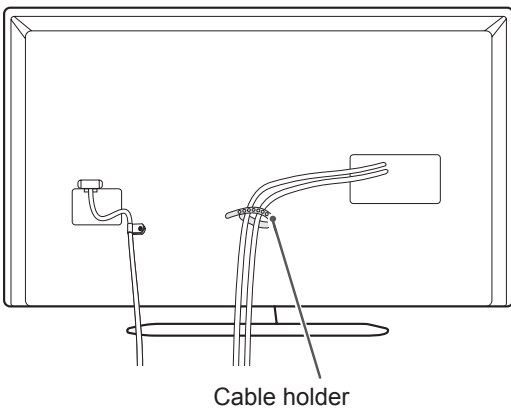
*image shown may differ from your TV.

(Only LP36**, LN54**, LP63**)

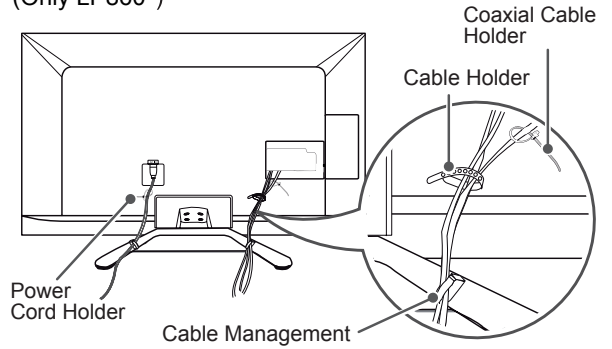
- 1 Secure the power cord with the protective bracket/bolt.



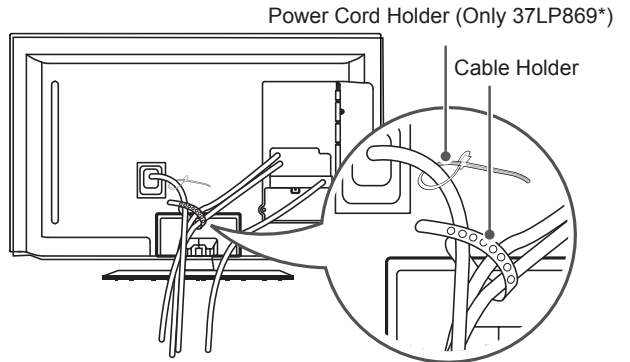
- 2 Gather and bind the cables with the cable holder.



(Only LP860*)



(Only LP869*)



CAUTION

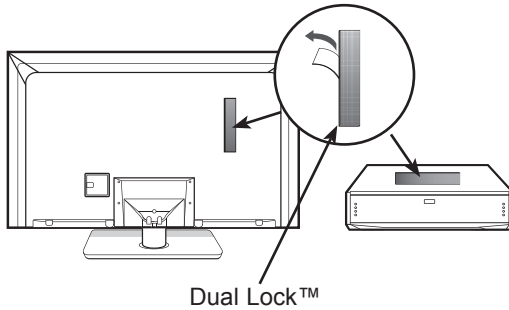
- Do not move the TV by holding the Cable Holder and Power Cord Holder, as the Cable holders may break, and injuries and damage to the TV may occur.

How to use Dual Lock™

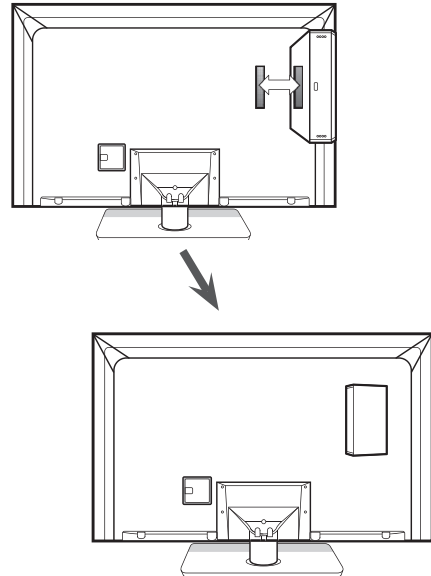
(Only LP63**)

Fix the set-top box to the TV and use it when you want to.

- 1 After removing the protection paper from the Dual Lock, stick it to the TV and the set-top box as shown.



- 2 Attach the set-top box to the TV by pressing the Velcro strips together.



! NOTE

- Please make sure no foreign substances exist on the surface of the product, and then firmly attach the Dual Lock.
- Before attaching the set-top box to the TV set, let the attached Dual Lock dry for at least three days.

MAKING CONNECTIONS

* image shown may differ from your TV.

This section on **MAKING CONNECTIONS** mainly uses diagrams for the LP36** models.

Connect various external devices to the TV and switch input modes to select an external device. For more information on external device's connection, refer to the manual provided with each device.

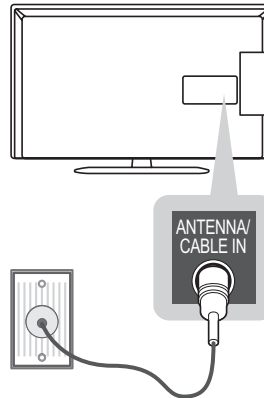
Available external devices are: HD receivers, DVD players, VCRs, audio systems, USB storage devices, PC, gaming devices, and other external devices.

NOTE

- The external device connection may differ from the model.
- Connect external devices to the TV regardless of the order of the TV port.
- If you record a TV program on a DVD recorder or VCR, make sure to connect the TV signal input cable to the TV through a DVD recorder or VCR. For more information on recording, refer to the manual provided with the connected device.
- Refer to the external equipment's manual for operating instructions.
- If you connect a gaming device to the TV, use the cable supplied with the gaming device.
- In PC mode, there may be noise associated with the resolution, vertical pattern, contrast or brightness. If noise is present, change the PC output to another resolution, change the refresh rate to another rate or adjust the brightness and contrast on the PICTURE menu until the picture is clear.
- In PC mode, some resolution settings may not work properly depending on the graphics card.

Antenna connection

Connect the TV to a wall antenna socket with an RF cable (75 Ω).



(*Not Provided)

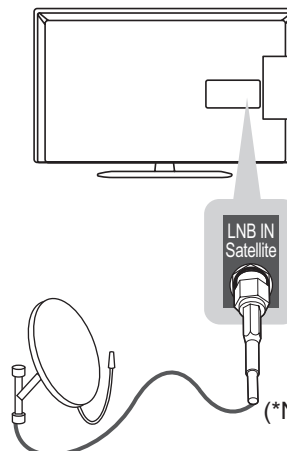
NOTE

- Use a signal splitter to use more than 2 TVs.
- If the image quality is poor, install a signal amplifier properly to improve the image quality.
- If the image quality is poor with an antenna connected, try to realign the antenna in the correct direction.
- An antenna cable and converter are not supplied.
- Supported DTV Audio: MPEG, Dolby Digital, Dolby Digital Plus, HE-AAC

Satellite dish Connection

(Only satellite models)

Connect the TV to a satellite dish to a satellite socket with a satellite RF cable (75 Ω).

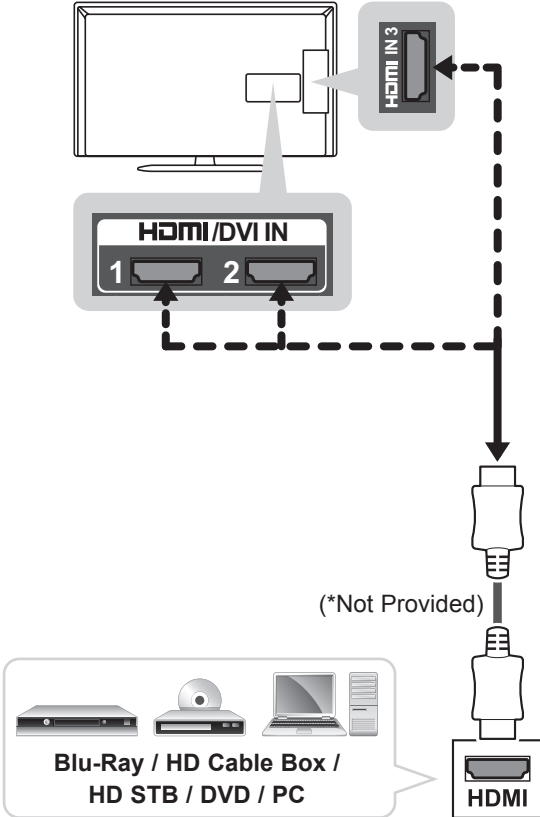


(*Not Provided)

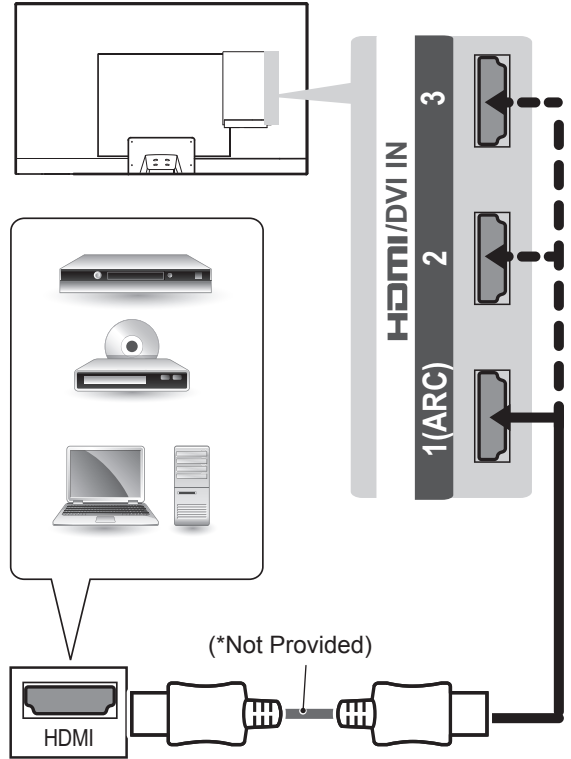
HDMI connection

Transmits the digital video and audio signals from your PC to the TV. Connect the PC and the TV with the HDMI cable as shown. Choose any HDMI input port to connect. It does not matter which port you use.

(Only LN54**, LP36**, LP63**, LP860*)



(Only LP869*)



NOTE

- It is recommended to use the TV with the HDMI connection for the best image quality.
- Use the latest High Speed HDMI™ Cable with CEC (Customer Electronics Control) function.
- High Speed HDMI™ Cables are tested to carry an HD signal up to 1080p and higher.
- Supported HDMI Audio format : Dolby Digital, PCM (Up to 192 KHz, 32KHz/44.1KHz/48KHz/88KHz/96KHz/176KHz/192KHz), DTS (Only LP860*)

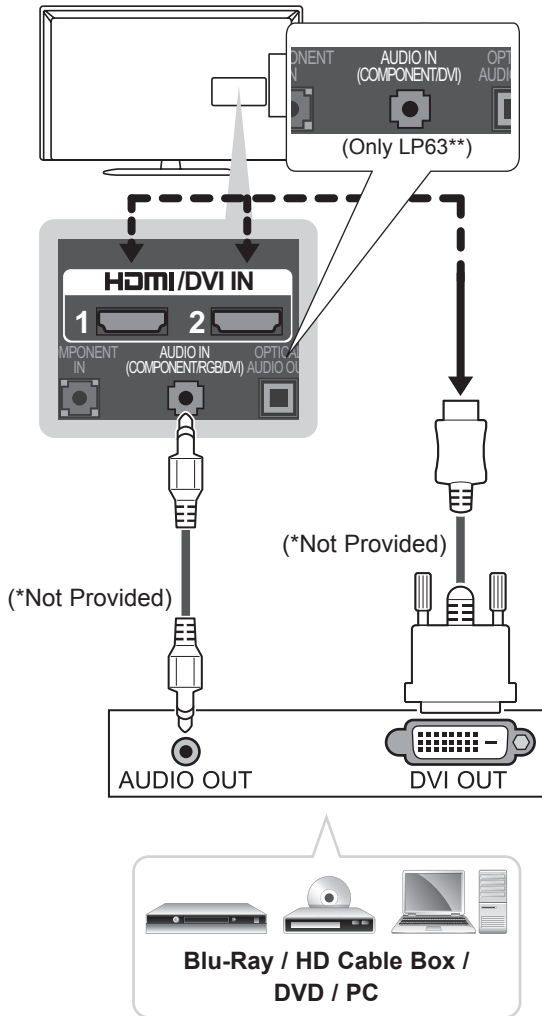
(Only LP86**)

ARC (Audio Return Channel)

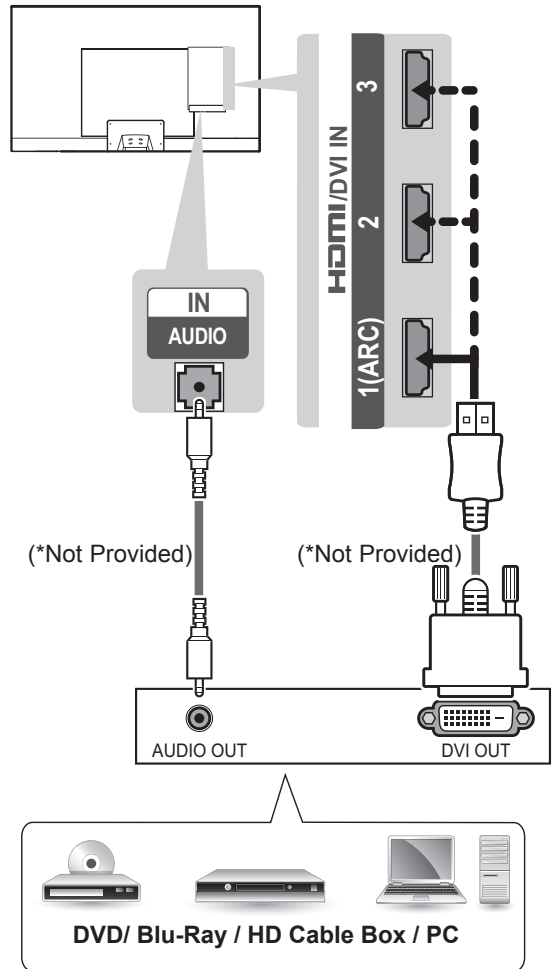
- An external audio device that supports SIMPLINK and ARC must be connected using **HDMI/DVI IN 1 (ARC)** port.
- When connected with a high-speed HDMI cable, the external audio device that supports ARC outputs optical SPDIF without additional optical audio cable and supports the SIMPLINK function.

DVI to HDMI connection

Transmits the digital video signal from an external device to the TV. Connect the external device and the TV with the DVI-HDMI cable as shown. To transmit an audio signal, connect an audio cable. (Only LN54**, LP36**, LP63**)



(Only LP869*)



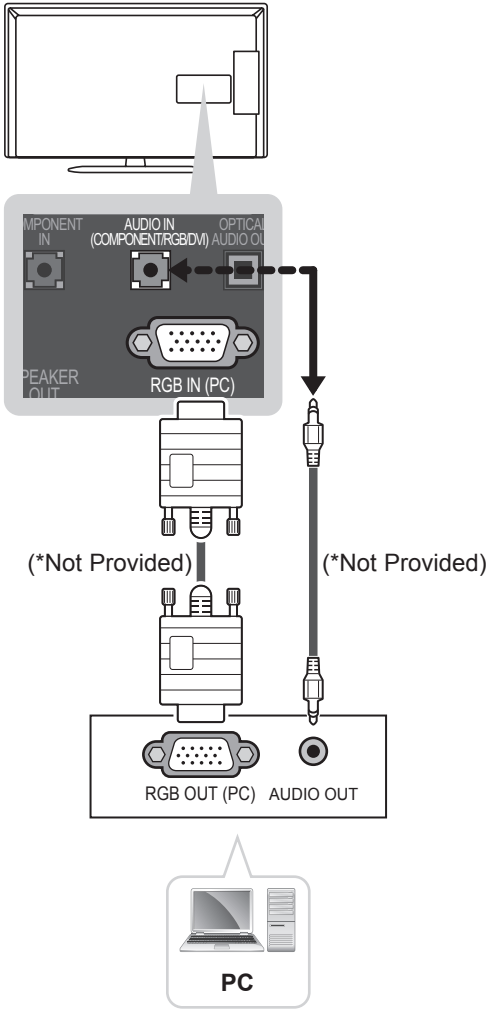
! NOTE

- Depending on the graphics card, DOS mode may not work if a HDMI to DVI Cable is in use.
- When using the HDMI/DVI cable, only Single link is supported.

RGB-PC connection

(Only LN54**, LP36**)

Transmits the video signal from PC to the TV. To transmit an audio signal, connect an audio cable.



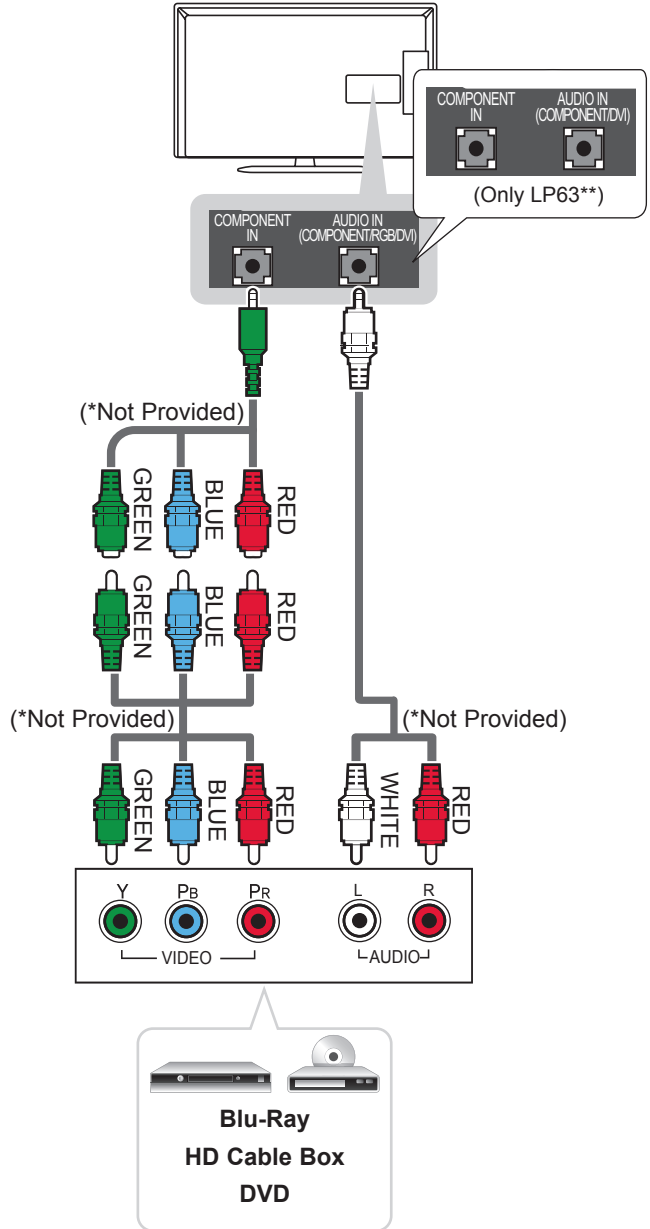
NOTE

- Do not connect a component cable when already using a RGB-PC cable. (Only LN549E)

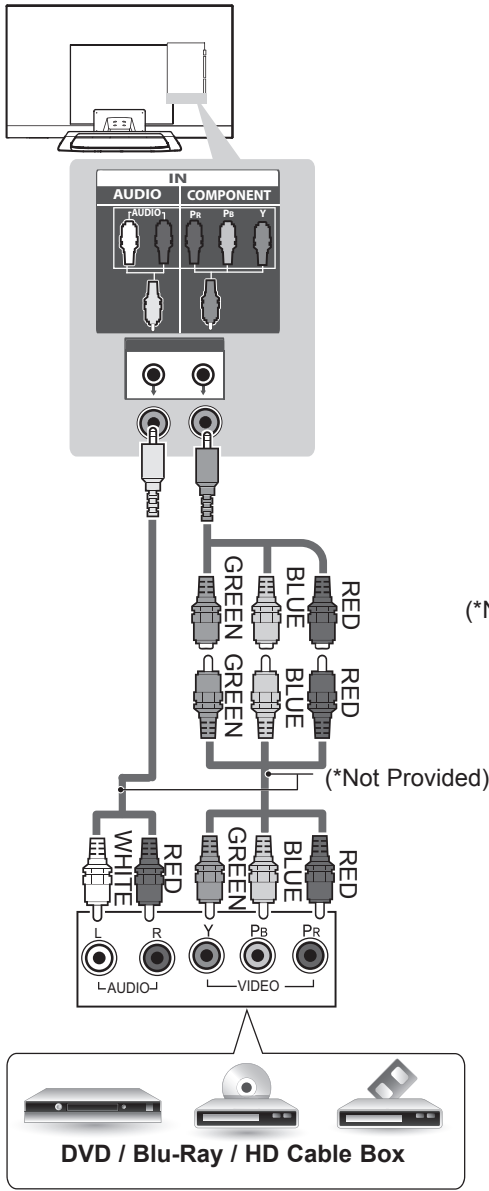
Component connection

Transmits the analogue video and audio signals from an external device to the TV. Connect the external device and the TV with the component cable as shown.

(Only LP36**, LN54**, LP63**)



(Only LP869*)



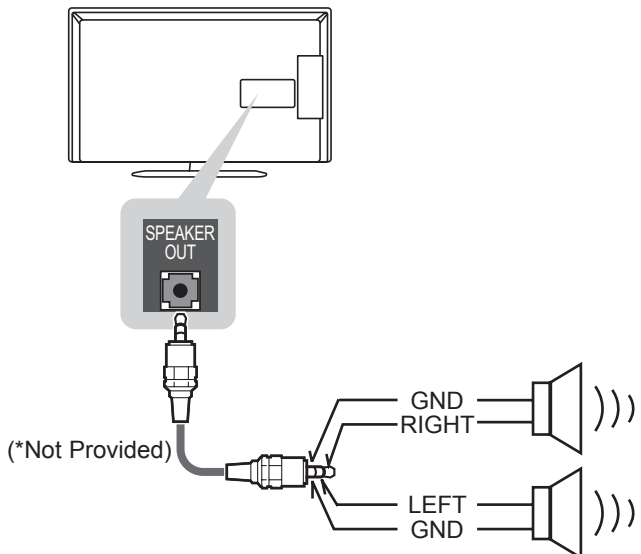
NOTE

- If cables are not installed correctly, it could cause this image to display in black and white or with distorted colours.

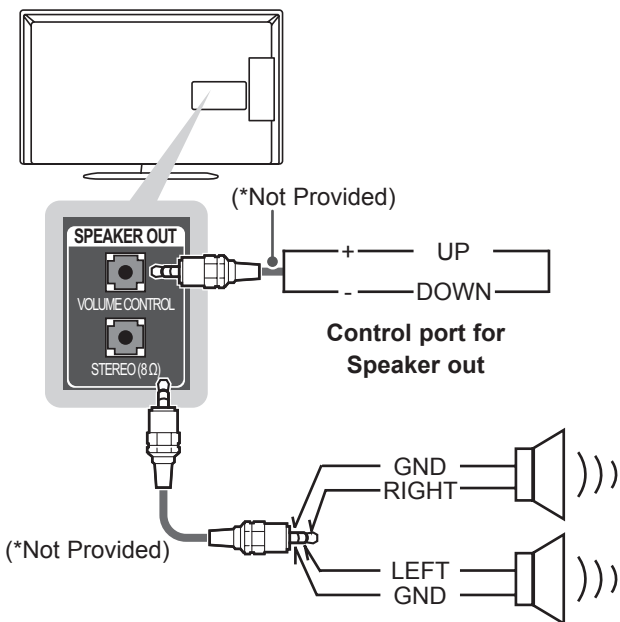
Speaker output setup

Connect the external speaker to the SPEAKER OUT jack on the TV.

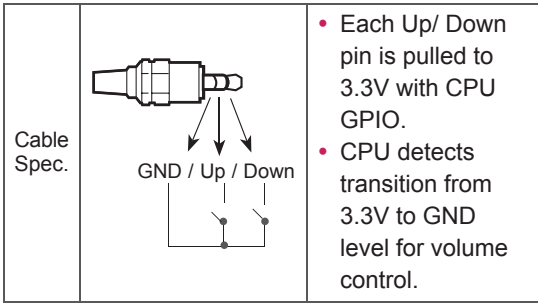
(Only LN548C, LN549C, LP36**)



(Only LN549E, LP63**, LP86**)

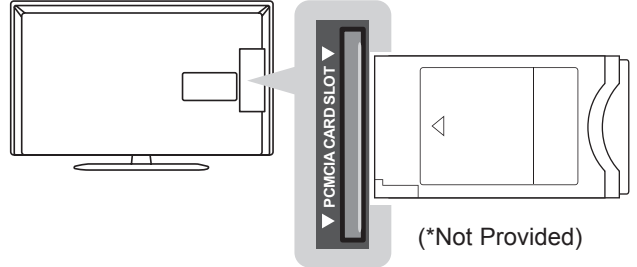


Method of Volume control port



CI module connection

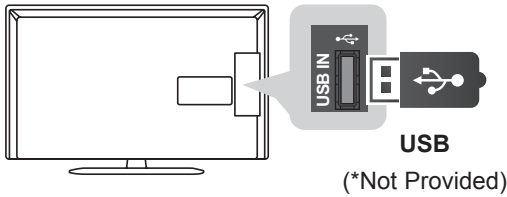
View the encrypted (pay) services in digital TV mode. This feature is not available in all countries.



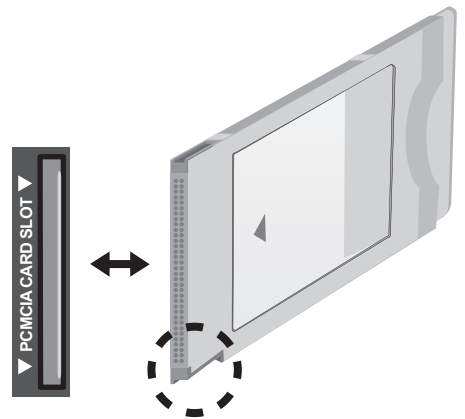
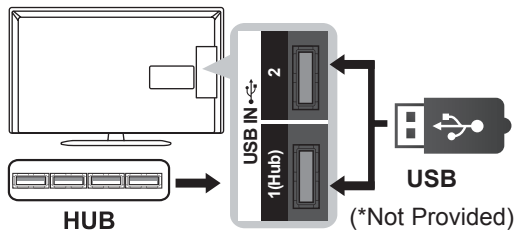
USB connection

Connect a USB storage device such as a USB flash memory, external hard drive or a USB memory card reader to the TV and access the My media menu to use various multimedia files.

(Only LN54**, LP36**, LP63**)



(Only LP86**)



NOTE

- Check if the CI module is inserted into the PCMCIA card slot in the right direction. If the module is not inserted properly, this can cause damage to the TV and the PCMCIA card slot.

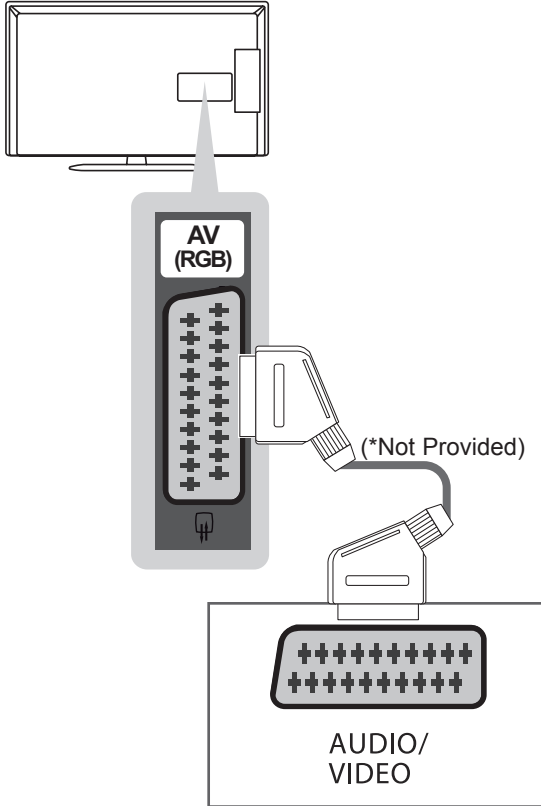
NOTE

- To use a USB Hub device, make sure that it is connected to the **USB IN 1 (HUB)** port.
- Some USB Hubs may not work. If a USB device connected using a USB Hub is not detected, connect it to the USB port on the TV directly.

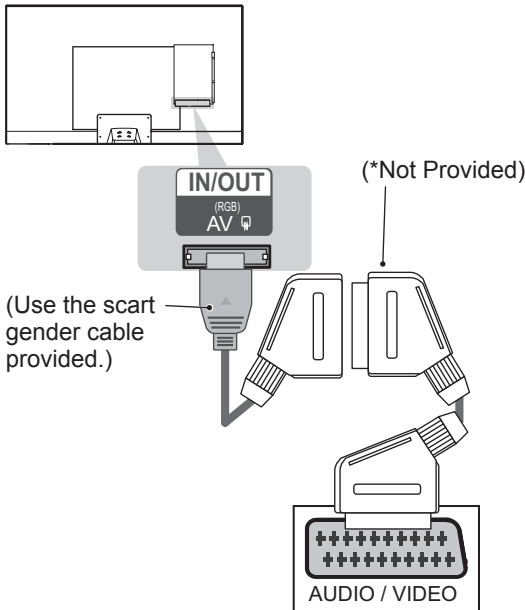
Euro Scart connection

Transmits the video and audio signals from an external device to the TV set. Connect the external device and the TV set with the euro scart cable as shown.

(Only LN54**, LP36**, LP63**, LP860*)



(Only LP869*)



Current input model \ Output Type	AV (TV Out ¹)
Digital TV	Digital TV
Analogue TV, AV	Analogue TV
Component / RGB	Analogue TV
HDMI	Analogue TV

1 Outputs Analogue TV or Digital TV signals.

NOTE

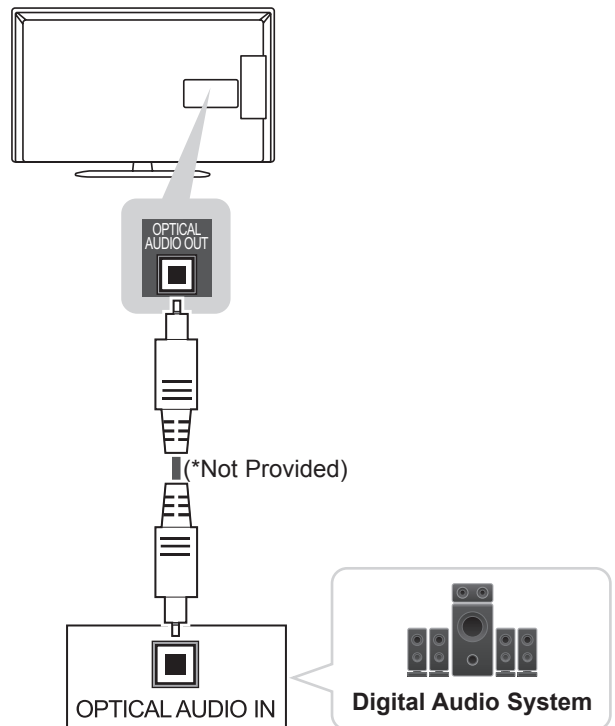
- Any Euro scart cable used must be signal shielded.

Audio connection

You may use an optional external audio system instead of the built-in speaker.

Digital optical audio connection

Transmits a digital audio signal from the TV to an external device. Connect the external device and the TV with the optical audio cable as shown.

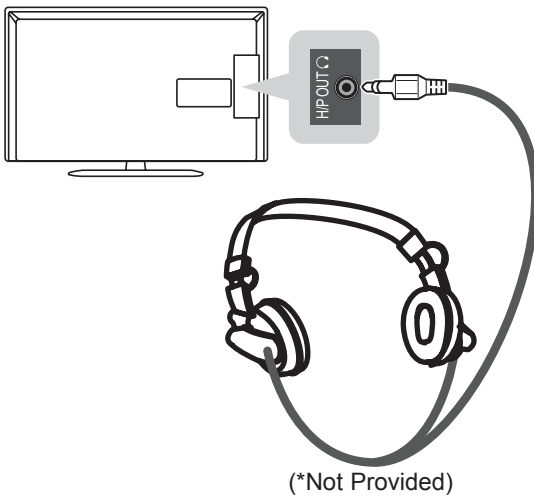


NOTE

- Do not look into the optical output port. Looking at the laser beam may damage your vision.
- Audio with ACP (Audio Copy Protection) function may block digital audio output.

Headphone connection

Transmits the headphone signal from the TV to an external device. Connect the external device and the TV with the headphone as shown.



NOTE

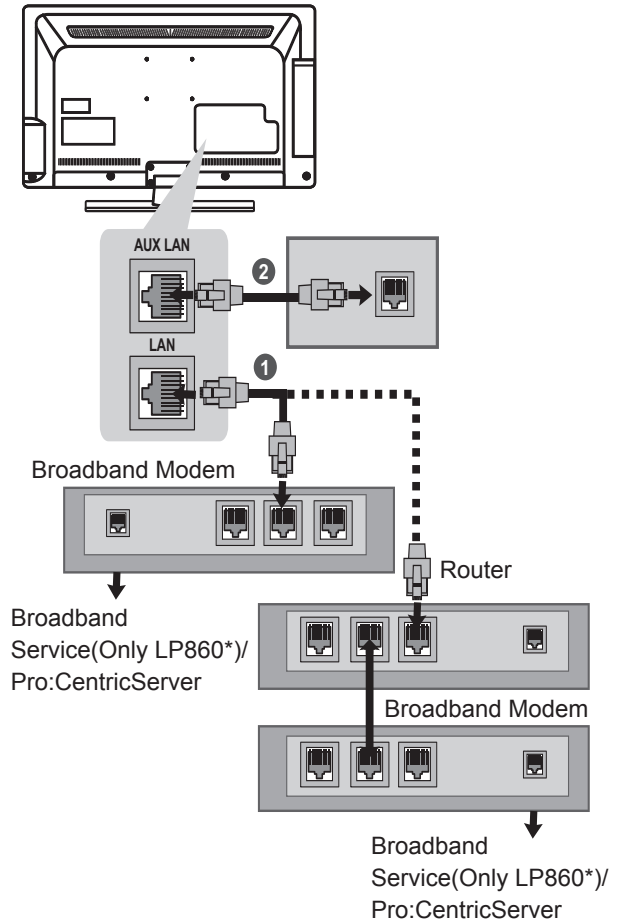
- AUDIO menu items are disabled when connecting a headphone.
- When changing **AV MODE** with a headphone connected, the change is applied to video but not to audio.
- Optical Digital Audio Out is not available when connecting a headphone.
- Headphone impedance: 16 Ω
- Max audio output of headphone: 9mW to 15 mW
- Headphone jack size: 0.35 cm

Network setup

Wired network connection

(Only LP63**, LP86**)

This TV can be connected to a Pro:Centric server or local area network (LAN) via the **LAN** port. After making the physical connection, the TV needs to be set up for network communication. Connect the LAN port of the Modem or Router from Pro:Centric server to the **LAN** port on the TV. (Image shown may differ from your TV.)



- 1 Connect the LAN port of the Modem or Router to the LAN port on the TV.
- 2 Connect the LAN port of the PC to the AUX LAN port on the TV. (Only LP86*)

CAUTION

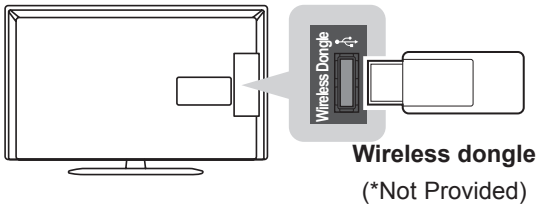
- AUX LAN : Only LP86*
- Do not connect a modular phone cable to the LAN port.
- Since there are various connection methods, please follow the specifications of your telecommunication carrier or internet service provider.

Wireless network connection

(Only LN549E)

This TV can be connected to wireless network via the **Wireless Dongle** port. After making the physical connection, the TV needs to be set up for network communication.

Connect the wireless dongle to the **Wireless Dongle** port on the TV.



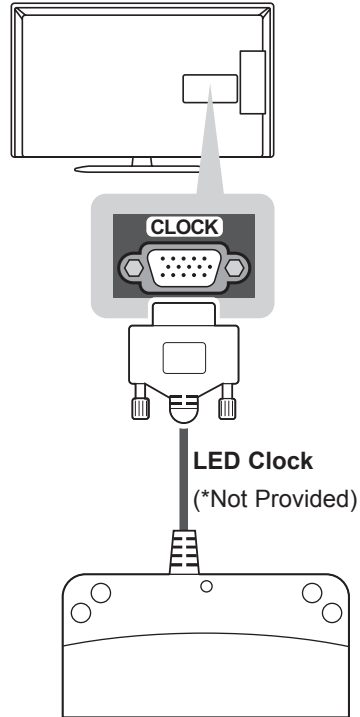
CAUTION

- Do not remove the wireless dongle while the wireless network is working.

LED Clock connection

(Only LP63**, LP860*)

This TV can be connected to a LED Clock via the **CLOCK** port.



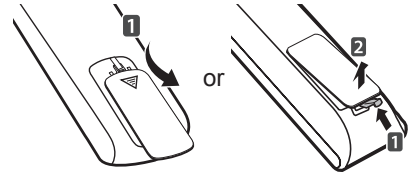
REMOTE CONTROL

The descriptions in this manual are based on the buttons on the remote control.

Please read this manual carefully and use the TV correctly.

To replace batteries, open the battery cover, replace batteries (1.5 V AAA) matching the ⊕ and ⊖ ends to the label inside the compartment, and close the battery cover.

To remove the batteries, perform the installation actions in reverse.

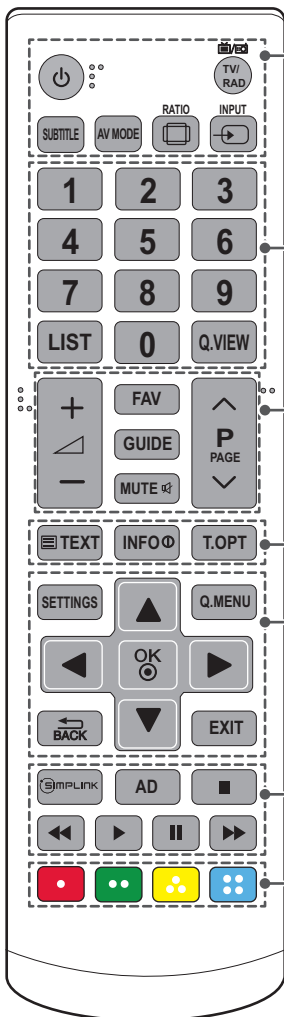


CAUTION

- Do not mix old and new batteries, as this may damage the remote control.

Make sure to point the remote control toward the remote control sensor on the TV.

(Only LN548C, LN549C, LP36**)



⏻ (POWER) Turns the TV on or off.

TV/RAD Selects Radio, TV and DTV programme.

SUBTITLE Recalls your preferred subtitle in digital mode.

AV MODE Selects an AV mode.

RATIO Resizes an image.

INPUT Changes the input source.

Number buttons Enters numbers.

LIST Accesses the saved programme list.

Q.VIEW Returns to the previously viewed programme.

+ / - Adjusts the volume level.

FAV Accesses your favourite programme list.

GUIDE Shows programme guide.

MUTE Mutes all sounds.

^ P v Scrolls through the saved programmes or channels.

^ PAGE v Moves to the previous or next screen.

Teletext buttons (≡ TEXT/T.OPT) These buttons are used for teletext.

INFO Views the information of the current programme and screen.

SETTINGS Accesses the main menus.

Q.MENU Accesses the Quick menus.

Navigation buttons (up/down/left/right) Scrolls through menus or options.

OK Selects menus or options and confirms your input.

↶ BACK Returns to the previous level.

EXIT Clears on-screen displays and return to TV viewing.

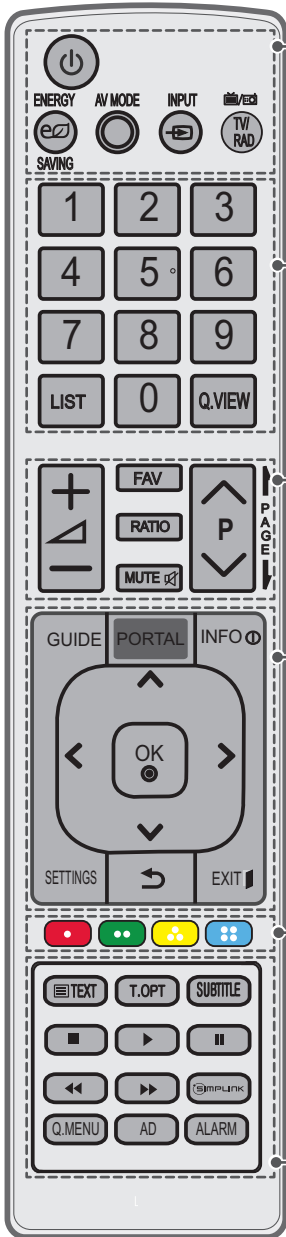
SIMPLINK Accesses the AV devices connected with the HDMI cable through HDMI-CEC. Opens the SIMPLINK menu.

AD Switches the Audio Description On or Off.

Control buttons (■, ▶, ⏸, ◀, ▶) Controls the MY MEDIA menus, or the SIMPLINK compatible devices (USB, SIMPLINK).

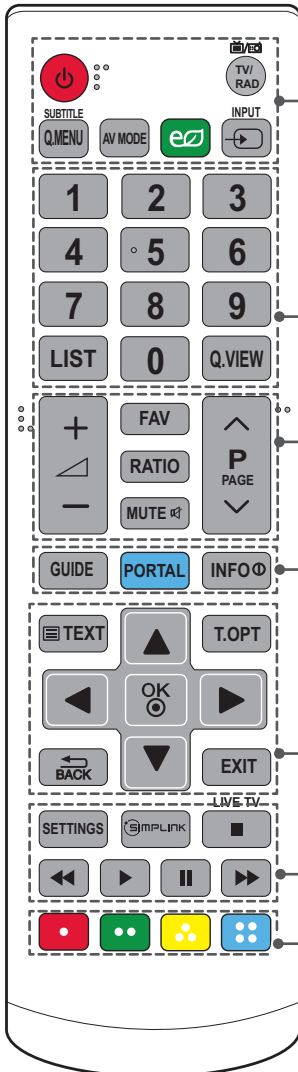
Coloured buttons These access special functions in some menus.

(Only LN549E, LP63**, LP860*)



- ⏻ (POWER)** Turns the TV on or off.
 - ⚡ ENERGY SAVING** Adjusts the brightness of the screen to reduce energy consumption.
 - AV MODE** Selects an AV mode.
 - INPUT** Changes the input source.
 - TV/RAD** Selects Radio, TV and DTV programme.
-
- Number buttons** Enters numbers.
 - LIST** Accesses the saved programme list.
 - Q.VIEW** Returns to the previously viewed programme.
-
- + / -** Adjusts the volume level.
 - FAV** Accesses your favourite programme list.
 - RATIO** Resizes an image.
 - MUTE** Mutes all sounds.
 - ^ P v** Scrolls through the saved programmes or channels.
 - I PAGE I** Moves to the previous or next screen.
-
- GUIDE**
 - Shows programme guide. (Only LP63**, LP860*)
 - Shows Contents List in EzSign mode. (Only LN549E)
 - PORTAL**
 - Displays and removes hotel interactive menu. (Only LP63**, LP860*)
 - Displays the EzSign content on a TV Screen. (Only LN549E)
 - INFO**
 - Views the information of the current programme and screen. (Only LP63**, LP860*)
 - Shows or hides the information on TV remote control buttons in EzSign mode. (Only LN549E)
-
- Navigation buttons (up/down/left/right)** Scrolls through menus or options.
 - OK** Selects menus or options and confirms your input.
 - SETTINGS** Selects a menu. Clears all on-screen displays and returns to TV viewing from any menu.
 - ↶ (BACK)** Returns to the previous level.
 - EXIT** Clears on-screen displays and return to TV viewing.
-
- Coloured buttons** These access special functions in some menus.
-
- Teletext buttons (TEXT/T.OPT)** These buttons are used for teletext.
 - SUBTITLE** Recalls your preferred subtitle in digital mode.
 - Control buttons (■, ▶, II, ◀, ▶▶)**
 - Controls the MY MEDIA menus, or the SIMPLINK compatible devices (USB, SIMPLINK). (Only LP63**, LP860*)
 - Not functional when EzSign contents is on. (Only LN549E)
 - SIMPLINK** Accesses the AV devices connected with the HDMI cable through HDMI-CEC. Opens the SIMPLINK menu.
 - Q.MENU** Accesses the Quick menus.
 - AD** Switches the Audio Description On or Off.
 - ALARM** Sets the alarm function.

(Only LP869*)



<p>⏻ (POWER) Turns the TV on or off.</p> <p>TV/RAD Selects Radio, TV and DTV programme.</p> <p>SUBTITLE Recalls your preferred subtitle in digital mode.</p> <p>Q.MENU Accesses the Quick menus.</p> <p>AV MODE Selects an AV mode.</p> <p>⏻ ENERGY SAVING Adjusts the brightness of the screen to reduce energy consumption.</p> <p>⏻ INPUT Changes the input source.</p>
<p>Number buttons Enters numbers.</p> <p>LIST Accesses the saved programme list.</p> <p>Q.VIEW Returns to the previously viewed programme.</p>
<p>+ / - Adjusts the volume level.</p> <p>FAV Accesses your favourite programme list.</p> <p>RATIO Resizes an image.</p> <p>MUTE Mutes all sounds.</p> <p>^ P v Scrolls through the saved programmes or channels.</p> <p>^ PAGE v Moves to the previous or next screen.</p>
<p>GUIDE Shows programme guide.</p> <p>PORTAL Displays and removes hotel interactive menu.</p> <p>INFO Views the information of the current programme and screen.</p>
<p>Teletext buttons (≡ TEXT/T.OPT) These buttons are used for teletext.</p> <p>Navigation buttons (up/down/left/right) Scrolls through menus or options.</p> <p>OK Selects menus or options and confirms your input.</p> <p>↶ BACK Returns to the previous level.</p> <p>EXIT Clears on-screen displays and return to TV viewing.</p>
<p>SETTINGS Accesses the main menus.</p> <p>SIMPLINK Accesses the AV devices connected with the HDMI cable through HDMI-CEC. Opens the SIMPLINK menu.</p> <p>LIVE TV Return to LIVE TV.</p> <p>Control buttons (■, ▶, , ◀, ⏪) Controls the MY MEDIA menus, or the SIMPLINK compatible devices (USB, SIMPLINK).</p>
<p>Coloured buttons These access special functions in some menus.</p>

MAINTENANCE

Cleaning your TV

Clean your TV regularly to keep the best performance and to extend the product lifespan.



CAUTION

- Make sure to turn the power off and disconnect the power cord and all other cables first.
- When the TV is left unattended and unused for a long time, disconnect the power cord from the wall outlet to prevent possible damage from lightning or power surges.

Screen, frame, cabinet and stand

- To remove dust or light dirt, wipe the surface with a dry, clean, and soft cloth.
- To remove major dirt, wipe the surface with a soft cloth dampened in clean water or a diluted mild detergent. Then wipe immediately with a dry cloth.



CAUTION

- Avoid touching the screen at all times, as this may result in damage to the screen.
- Do not push, rub, or hit the screen surface with your fingernail or a sharp object, as this may result in scratches and image distortions.
- Do not use any chemicals as this may damage the product.
- Do not spray liquid onto the surface. If water enters the TV, it may result in fire, electric shock, or malfunction.

Power cord

Remove the accumulated dust or dirt on the power cord regularly.

TROUBLESHOOTING

The software version can be updated for improvement in performance. Customer needs to ensure the compatibility of customer's equipment with LGE software. If needed, please consult with LGE and upload revised software version according to the guidance provided by LGE.

Problem	Solution
Cannot control the TV with the remote control.	<ul style="list-style-type: none"> • Check the remote control sensor on the product and try again. • Check if there is any obstacle between the product and the remote control. • Check if the batteries are still working and properly installed (⊕ to ⊕, ⊖ to ⊖).
No image display and no sound is produced.	<ul style="list-style-type: none"> • Check if the product is turned on. • Check if the power cord is connected to a wall outlet. • Check if there is a problem in the wall outlet by connecting other products.
The TV turns off suddenly.	<ul style="list-style-type: none"> • Check the power control settings. The power supply may be interrupted. • Check if the Auto sleep feature is activated in the Time settings.
When connecting to the PC (RGB/HDMI DVI), 'No signal' or 'Invalid Format' is displayed.	<ul style="list-style-type: none"> • Turn the TV off/on using the remote control. • Reconnect the RGB/HDMI cable. • Restart the PC with the TV on.

CAUTION FOR USING EZSIGN

Only LN549E

- Do not remove a USB drive while data is being copied. It can corrupt the data and EzSign may not work properly.
- While loading a USB device or dongle, your TV may function slower than normal.
- Some user-created subtitles may not work properly.
- Some special characters are not supported in subtitles.
- HTML tags are not supported in subtitles.
- Subtitles in languages other than the supported languages are not available.
- EzSign TV function does not work before completing the initial setup Wizard. Make sure to complete the initial setup Wizard by turning on the TV after installation.
- If the time is set according to the TV signal, it may not appeared exactly for some region. In that case, set the time manually.
- It is recommended that you copy files to the TV memory before playing them, as playing directly from the USB memory for an extended period of time may cause the device to overheat.
- In EzSign TV mode, some remote control keys may not work.
- EzSign TV dose not support the USB HUB. It is recommended that you connect a USB device directly to the TV without using a USB extension cable as it may not work properly.
- It is recommended that you use EzSign TV within 8 hours per day as it is standard.
- Refer to the EzSign Editor user guide for details.
- EzSign TV does not support Store Demo.
- Supported external subtitle format:*.smi/*.srt/*.sub(MicroDVD, Subviewer 1.0/2.0)*.ass/*.ssa/*.txt(TMPlayer)*.psb(PowerDivX)
- Do not update the EzSign content via wireless networking and a USB drive at the same time. And do not play contentfrom a USB drive while updating EzSign content via wireless networking.

SPECIFICATIONS

Product specifications may be changed without prior notice due to upgrade of product functions.

MODEL		32LN54**	37LN54**	39LN54**
		32LN548C-ZA	37LN548C-ZA	39LN548C-ZA
		32LN549C-ZA	37LN549C-ZA	39LN549C-ZA
		32LN549E-ZA	37LN549E-ZA	39LN549E-ZA
Dimensions (W x H x D)	With stand (mm)	738 x 497 x 207	849 x 561 x 236	894 x 587 x 236
	Without stand (mm)	738 x 449 x 79.0	849 x 512 x 79.0	894 x 537 x 79.0
Weight	With stand (kg)	7.0	9.1	9.7
	Without stand (kg)	6.4	8.0	8.6
Power requirement		AC 100-240 V~ 50 / 60 Hz	AC 100-240 V~ 50 / 60 Hz	AC 100-240 V~ 50 / 60 Hz
Power consumption		80 W	100 W	100W
MODEL		42LN54**	47LN54**	55LN54**
		42LN548C-ZA	47LN548C-ZA	55LN549E-ZE
		42LN549C-ZA	47LN549C-ZA	
		42LN549E-ZA	47LN549E-ZA	
Dimensions (W x H x D)	With stand (mm)	968 x 629 x 236	1080 x 694 x 264	1250 x 803 x 343
	Without stand (mm)	968 x 579 x 79.0	1080 x 642 x 80.5	1250 x 737 x 79.1
Weight	With stand (kg)	10.7	14.7	21.9
	Without stand (kg)	9.6	13.4	19.1
Power requirement		AC 100-240 V~ 50 / 60 Hz	AC 100-240 V~ 50 / 60 Hz	AC 100-240 V~ 50 / 60 Hz
Power consumption		110 W	130 W	160 W

MODEL		60LN54**	32LP36**	37LP36**
		60LN549E-ZE	32LP360H-ZA 32LP361H-ZA	37LP360H-ZA 37LP361H-ZA
Dimensions (W x H x D)	With stand (mm)	1359 x 866 x 297	738 x 497 x 207	849 x 561 x 236
	Without stand (mm)	1359 x 799 x 67.2	738 x 449 x 79.0	849 x 512 x 79.0
Weight	With stand (kg)	27.0	7.0	9.1
	Without stand (kg)	24.2	6.4	8.0
Power requirement		AC 100-240 V~ 50 / 60 Hz	AC 100-240 V~ 50 / 60 Hz	AC 100-240 V~ 50 / 60 Hz
Power consumption		200 W	80 W	100 W
MODEL		39LP36**	42LP36**	32LP63**
		39LP360H-ZA 39LP361H-ZA	42LP360H-ZA 42LP361H-ZA	32LP630H-ZA 32LP631H-ZA 32LP632H-ZA
Dimensions (W x H x D)	With stand (mm)	894 x 587 x 236	968 x 629 x 236	738 x 497 x 207
	Without stand (mm)	894 x 537 x 79.0	968 x 579 x 79.0	738 x 449 x 79.0
Weight	With stand (kg)	9.7	10.7	7.0
	Without stand (kg)	8.6	9.6	6.4
Power requirement		AC 100-240 V~ 50 / 60 Hz	AC 100-240 V~ 50 / 60 Hz	AC 100-240 V~ 50 / 60 Hz
Power consumption		100W	110 W	80 W
MODEL		37LP63**	39LP63**	42LP63**
		37LP630H-ZA 37LP631H-ZA 37LP632H-ZA	39LP630H-ZA 39LP631H-ZA 39LP632H-ZA	42LP630H-ZA 42LP631H-ZA
Dimensions (W x H x D)	With stand (mm)	849 x 561 x 236	894 x 587 x 236	968 x 629 x 236
	Without stand (mm)	849 x 512 x 79.0	894 x 537 x 79.0	968 x 579 x 79.0
Weight	With stand (kg)	9.1	9.7	10.7
	Without stand (kg)	8.0	8.6	9.6
Power requirement		AC 100-240 V~ 50 / 60 Hz	AC 100-240 V~ 50 / 60 Hz	AC 100-240 V~ 50 / 60 Hz
Power consumption		100 W	100W	110 W
MODEL		42LP860*	47LP860*	55LP860*
		42LP860H-ZA	47LP860H-ZA	55LP860H-ZA
Dimensions (W x H x D)	With stand (mm)	957 x 635 x 294	1069 x 695 x 327	1238 x 802 x 343
	Without stand (mm)	957 x 574 x 35.0	1069 x 637 x 35.5	1238 x 733 x 35.2
Weight	With stand (kg)	14.3	17.2	22.7
	Without stand (kg)	12.4	14.7	20.0
Power requirement		AC 100-240 V~ 50 / 60 Hz	AC 100-240 V~ 50 / 60 Hz	AC 100-240 V~ 50 / 60 Hz
Power consumption		110 W	120 W	140 W
MODEL		37LP869*		
		37LP869H-ZA		
Dimensions (W x H x D)	With stand (mm)	-		
	Without stand (mm)	856 x 524 x 35.5		
Weight	With stand (kg)	-		
	Without stand (kg)	10.5		
Power requirement		AC 100-240 V~ 50 / 60 Hz		
Power consumption		100 W		

CI Module Size (W x H x D)		100.0 mm x 55.0 mm x 5.0 mm
Environment condition	Operating Temperature	0 °C to 40 °C
	Operating Humidity	Less than 80 %
	Storage Temperature	-20 °C to 60 °C
	Storage Humidity	Less than 85 %


	Satellite Digital TV ¹	Digital TV ²	Digital TV	Analogue TV
Television system	DVB-T DVB-C DVB-S/S2	DVB-T/T2 DVB-C	DVB-T DVB-C	PAL/SECAM B/G/D/K, PAL I/I', SECAM L/L' ³
Programme coverage	VHF, UHF C-Band, Ku-Band		VHF, UHF	VHF: E2 to E12, UHF : E21 to E69, CATV: S1 to S20, HYPER: S21 to S47
Maximum number of storable programmes	6,000		1,500	
External antenna impedance	75 Ω			

1 Only satellite models

2 Only DVB-T2 support models

3 Except for DVB-T2 support models

(Only LP86**)

Wireless LAN module(TWFM-B006D) specification	
Standard	IEEE802.11a/b/g/n
Frequency Range	2400 to 2483.5 MHz 5150 to 5250 MHz 5725 to 5850 MHz (for Non EU)
Output Power (Max.)	802.11a: 11 dBm 802.11b: 14 dBm 802.11g: 10.5 dBm 802.11n - 2.4GHz: 11 dBm 802.11n - 5GHz: 12.5 dBm
<ul style="list-style-type: none"> Because band channel used by the country could be different, the user can not change or adjust the operating frequency and this product is set for the regional frequency table. 	
	

RGB-PC, HDMI/DVI-PC supported mode

(Only LN54**, LP36**)

Resolution	Horizontal Frequency (kHz)	Vertical Frequency (Hz)
720x400	31.469	70.08
640x480	31.469	59.94
800x600	37.879	60.31
1024x768	48.363	60.00
1152x864	54.348	60.053
1360x768	47.712	60.015
1280x1024	63.981	60.020
1920x1080 (RGB-PC)	66.587	59.934
1920x1080 (HDMI-PC)	67.50	60.00

(Only 39/42/47/55/60LN549E)

HDMI/DVI-PC supported mode

(Only LP63**, LP86**)

Resolution	Horizontal Frequency (kHz)	Vertical Frequency (Hz)
640x350	31.468	70.09
720x400	31.469	70.08
640x480	31.469	59.94
800x600	37.879	60.31
1024x768	48.363	60.00
1152x864	54.348	60.053
1360x768	47.712	60.015
1280x1024	63.981	60.020
1920x1080 (HDMI-PC)	67.50	60.00

HDMI/DVI-DTV supported mode

Resolution	Horizontal Frequency (kHz)	Vertical Frequency (Hz)
720x480	31.469 31.5	59.94 60
720x576	31.25	50
1280x720	37.5 44.96 45	50 59.94 60
1920x1080	33.72 33.75 28.125 26.97 27 33.716 33.75 56.25 67.43 67.5	59.94 60 50 23.97 24 29.976 30.00 50 59.94 60

Component port connecting information

(Only LP36**, LN54**, LP63**, LP869*)














Component ports on the TV	Y	P _B	P _R

Video output ports on DVD player	Y	P _B	P _R
	Y	B-Y	R-Y
	Y	Cb	Cr
	Y	Pb	Pr

Signal	Component
480i/576i	O
480p/576p	O
720p/1080i	O
1080p	O (50 Hz / 60 Hz only)

IR CODES

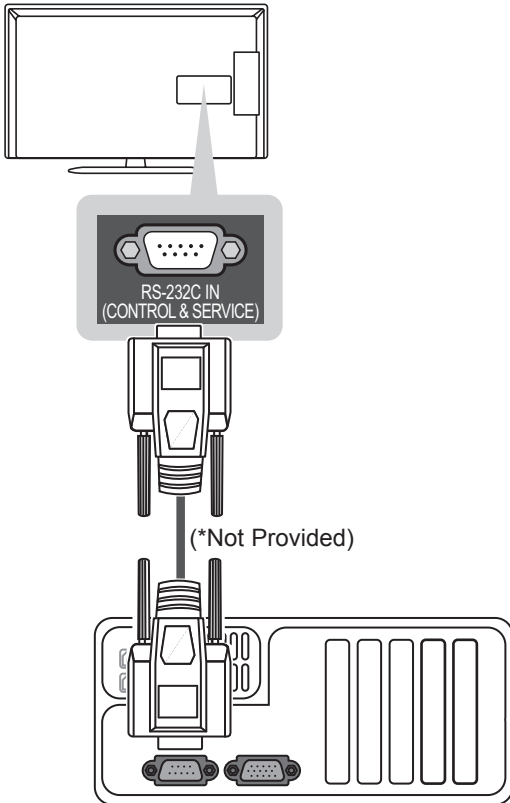
- This feature is not available for all models.

Code (Hexa)	Function	Note
08	 (POWER)	Remote control Button (Power On/Off)
95	ENERGY SAVING	Remote control Button
30	AV MODE	Remote control Button
0B	INPUT	Remote control Button
F0	TV/RAD	Remote control Button
10-19	Number Key 0-9	Remote control Button
53	LIST	Remote control Button
1A	Q.VIEW	Remote control Button
02	 +	Remote control Button
03	 -	Remote control Button
1E	FAV	Remote control Button
79	RATIO	Remote control Button
09	MUTE	Remote control Button
00	P 	Remote control Button
01	P 	Remote control Button
43	SETTINGS	Remote control Button
AB	GUIDE	Remote control Button
45	Q.MENU	Remote control Button
AA	INFO	Remote control Button
28	BACK 	Remote control Button
5B	EXIT	Remote control Button
44	OK	Remote control Button
40		Remote control Button
41		Remote control Button
07	<	Remote control Button
06	>	Remote control Button
72	RED	Remote control Button
71	GREEN	Remote control Button
63	YELLOW	Remote control Button
61	BLUE	Remote control Button
20	TEXT	Remote control Button
21	T.OPT(T.Option)	Remote control Button
39	SUBTITLE	Remote control Button
B1		Remote control Button
B0		Remote control Button
BA		Remote control Button
8E		Remote control Button
8F		Remote control Button
91	AD	Remote control Button
7E	SIMPLINK	Remote control Button
0C	PORTAL	Remote control Button
43	HOME	Remote control Button
E8	ALARM	Remote control Button

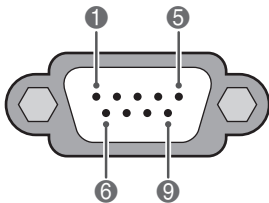
EXTERNAL CONTROL DEVICE SETUP

RS-232C setup

Connect the RS-232C (serial port) input jack to an external control device (such as a computer or an A/V control system) to control the product's functions externally. Connect the serial port of the control device to the RS-232C jack on the product back panel.
Note: RS-232C connection cables are not supplied with the product.



Type of connector: D-Sub 9-Pin Male



No.	Pin name
1	3.5V
2	RXD (Receive data)
3	TXD (Transmit data)
4	IR OUT from TV
5	GND
6	No Connection
7	No Connection
8	No Connection
9	No Connection (12V available in some models)

RS-232C configurations

7-Wire Configurations (Standard RS-232C cable)

	PC		TV	
RXD	2	●	3	TXD
TXD	3	●	2	RXD
GND	5	●	5	GND
DTR	4	●	6	DSR
DSR	6	●	4	DTR
RTS	7	●	8	CTS
CTS	8	●	7	RTS
	D-Sub 9		D-Sub 9	

3-Wire Configurations (Not standard)

	PC		TV	
RXD	2	●	3	TXD
TXD	3	●	2	RXD
GND	5	●	5	GND
DTR	4		6	DTR
DSR	6		4	DSR
RTS	7		7	RTS
CTS	8		8	CTS
	D-Sub 9		D-Sub 9	

Set ID

Set ID number. "Real Data Mapping".

- 1 Press **SETTINGS** or **HOME** to access the main menu.
- 2 Press the Navigation buttons to scroll to **OPTION** and press **OK**.
- 3 Press the Navigation buttons to scroll to **Set ID** and press **OK**.
- 4 Scroll left or right to select a set ID number and select **Close**. The adjustment range is 1-99.
- 5 When you are finished, press **EXIT**.

Communication parameters

- Baud rate: 9600 bps (UART)
- Data length: 8 bits
- Parity : None
- Stop bit: 1 bit
- Communication code: ASCII code
- Use a crossed (reverse) cable.

Command reference list

(Depending on model)

	COMMAND1	COMMAND2	DATA (Hexadecimal)		COMMAND1	COMMAND2	DATA (Hexadecimal)
01. Power	k	a	00 to 01	13. Treble	k	r	00 to 64
02. Aspect Ratio	k	c	(See p.38)	14. Bass	k	s	00 to 64
03. Screen Mute	k	d	(See p.38)	15. Balance	k	t	00 to 64
04. Volume Mute	k	e	00 to 01	16. Colour Temperature	x	u	00 to 64
05. Volume Control	k	f	00 to 64	17. Energy Saving	j	q	00 to 05
06. Contrast	k	g	00 to 64	18. Auto Configuration	j	u	01
07. Brightness	k	h	00 to 64	19. Tune Command	m	a	(See p.40)
08. Colour	k	i	00 to 64	20. Programme Add/Skip	m	b	00 to 01
09. Tint	k	j	00 to 64	21. Key	m	c	Key Code
10. Sharpness	k	k	00 to 64	22. Control Back Light	m	g	00 to 64
11. OSD Select	k	l	00 to 01	23. Input select (Main)	x	b	(See p.41)
12. Remote Control Lock Mode	k	m	00 to 01				

* Note : During USB operations such as DivX or EMF, all commands except Power(ka) and Key(mc) are not executed and treated as NG.

Transmission / Receiving Protocol

Transmission

[Command1][Command2][][Set ID][][Data][Cr]

[Command 1] : First command to control the TV.(j, k, m or x)

[Command 2] : Second command to control the TV.

[Set ID] : You can adjust the set ID to choose desired monitor ID number in option menu. Adjustment range is 1 to 99. When selecting Set ID '0', every connected set is controlled.

Set ID is indicated as decimal (1 to 99) on menu and as Hexa decimal (0x0 to 0x63) on transmission/receiving protocol.

[DATA] : To transmit command data. Transmit 'FF' data to read status of command.

[Cr] : Carriage Return
ASCII code '0x0D'

[] : ASCII code 'space (0x20)'

OK Acknowledgement

[Command2][][Set ID][][OK][Data][x]

* The set transmits ACK (acknowledgement) based on this format when receiving normal data. At this time, if the data is data read mode, it indicates present status data. If the data is data write mode, it returns the data of the PC computer.

Error Acknowledgement

[Command2][][Set ID][][NG][Data][x]

* The set transmits ACK (acknowledgement) based on this format when receiving abnormal data from non-viable functions or communication errors.

Data 00: Illegal Code

01. Power (Command: k a)

- ▶ To control Power On/Off of the set.

Transmission [k][a][][Set ID][][Data][Cr]

Data 00 : Power Off 01 : Power On

Ack [a][][Set ID][][OK/NG][Data][x]

- ▶ To show Power On/Off.

Transmission [k][a][][Set ID][][FF][Cr]

Ack [a][][Set ID][][OK/NG][Data][x]

* Similarly, if other functions transmit '0xFF' data based on this format, Acknowledgement data feed back presents status about each function.

* OK Ack., Error Ack. and other message may display on the screen when TV is power On.

02. Aspect Ratio (Command: k c) (Main Picture Size)

- ▶ To adjust the screen format. (Main picture format)
You can also adjust the screen format using the Aspect Ratio in the Q.MENU. or PICTURE menu.

Transmission [k][c][][Set ID][][Data][Cr]

Data 01 : Normal screen 07 : 14:9
 (4:3) 09 : Just Scan
02 : Wide screen 0B : Full Wide
 (16:9) 10 to 1F : Cinema Zoom 1 to 16
04 : Zoom
06 : Original

Ack [c][][Set ID][][OK/NG][Data][x]

* Using the PC input, you select either 16:9 or 4:3 screen aspect ratio.

* In DTV/HDMI (1080i 50 Hz / 60 Hz, 720p 50Hz / 60 Hz, 1080p 24 Hz / 30 Hz / 50 Hz / 60 Hz), Component (720p, 1080i, 1080p 50 Hz / 60 Hz) mode, Just Scan is available.

* Full Wide is supported only for Digital, Analogue, AV.

03. Screen Mute (Command: k d)

- ▶ To select screen mute on/off.

Transmission [k][d][][Set ID][][Data][Cr]

Data 00 : Screen mute off (Picture on)
 Video mute off
01 : Screen mute on (Picture off)
10 : Video mute on

Ack [d][][Set ID][][OK/NG][Data][x]

* In case of video mute on only, TV will display On Screen Display(OSD). But, in case of Screen mute on, TV will not display OSD.

04. Volume Mute (Command: k e)

- ▶ To control volume mute on/off.
You can also adjust mute using the MUTE button on remote control.

Transmission [k][e][][Set ID][][Data][Cr]

Data 00 : Volume mute on (Volume off)
01 : Volume mute off (Volume on)

Ack [e][][Set ID][][OK/NG][Data][x]

05. Volume Control (Command: k f)

- ▶ To adjust volume.
You can also adjust volume with the volume buttons on remote control.

Transmission [k][f][][Set ID][][Data][Cr]

Data Min : 00 to Max : 64
* Refer to 'Real data mapping'. See p.41.

Ack [f][][Set ID][][OK/NG][Data][x]

06. Contrast (Command: k g)

- ▶ To adjust screen contrast.
You can also adjust contrast in the PICTURE menu.

Transmission [k][g][][Set ID][][Data][Cr]

Data Min : 00 to Max : 64
* Refer to 'Real data mapping'. See p.41.

Ack [g][][Set ID][][OK/NG][Data][x]

07. Brightness (Command: k h)

- ▶ To adjust screen brightness.
You can also adjust brightness in the PICTURE menu.

Transmission [k][h][][Set ID][][Data][Cr]

Data Min : 00 to Max : 64
* Refer to 'Real data mapping'. See p.41.

Ack [h][][Set ID][][OK/NG][Data][x]

08. Colour (Command: k i)

- ▶ To adjust the screen colour.
You can also adjust colour in the PICTURE menu.

Transmission [k][i][][Set ID][][Data][Cr]

Data Min : 00 to Max : 64
* Refer to 'Real data mapping'. See p.41

Ack [i][][Set ID][][OK/NG][Data][x]

09. Tint (Command: k j)

- ▶ To adjust the screen tint.
You can also adjust tint in the PICTURE menu.

```
Transmission [k][j][ ][Set ID][ ][Data][Cr]
```

Data Red : 00 to Green : 64

* Refer to 'Real data mapping'. See p.41.

```
Ack [j][ ][Set ID][ ][OK/NG][Data][x]
```

10. Sharpness (Command: k k)

- ▶ To adjust the screen sharpness.
You can also adjust sharpness in the PICTURE menu.

```
Transmission [k][k][ ][Set ID][ ][Data][Cr]
```

Data Min : 00 to Max : 64 (Except for LP86**)

Data Min : 00 to Max : 32 (Only LP86**)

* Refer to 'Real data mapping'. See p.41.

```
Ack [k][ ][Set ID][ ][OK/NG][Data][x]
```

11. OSD Select (Command: k l)

- ▶ To select OSD (On Screen Display) on/off when controlling remotely.

```
Transmission [k][l][ ][Set ID][ ][Data][Cr]
```

Data 00 : OSD off 01 : OSD on

```
Ack [l][ ][Set ID][ ][OK/NG][Data][x]
```

12. Remote control lock mode (Command: k m)

- ▶ To lock the front panel controls on the monitor and remote control.

```
Transmission [k][m][ ][Set ID][ ][Data][Cr]
```

Data 00 : Lock off 01 : Lock on

```
Ack [m][ ][Set ID][ ][OK/NG][Data][x]
```

* If you are not using the remote control, use this mode.

When main power is on/off, external control lock is released.

* In the standby mode, if key lock is on, TV will not turn on by power on key of IR & Local Key.

13. Treble (Command: k r)(Except for LP86)**

- ▶ To adjust treble.
You can also adjust treble in the AUDIO menu.

```
Transmission [k][r][ ][Set ID][ ][Data][Cr]
```

Data Min : 00 to Max : 64

* Refer to 'Real data mapping'. See p.41.

```
Ack [r][ ][Set ID][ ][OK/NG][Data][x]
```

14. Bass (Command: k s) (Except for LP86)**

- ▶ To adjust bass.
You can also adjust bass in the AUDIO menu.

```
Transmission [k][s][ ][Set ID][ ][Data][Cr]
```

Data Min : 00 to Max : 64

* Refer to 'Real data mapping'. See p.41.

```
Ack [s][ ][Set ID][ ][OK/NG][Data][x]
```

15. Balance (Command: k t)

- ▶ To adjust balance.
You can also adjust balance in the AUDIO menu.

```
Transmission [k][t][ ][Set ID][ ][Data][Cr]
```

Data Min : 00 to Max : 64

* Refer to 'Real data mapping'. See p.41.

```
Ack [t][ ][Set ID][ ][OK/NG][Data][x]
```

16. Colour Temperature (Command: x u)

- ▶ To adjust colour temperature. You can also adjust Colour Temperature in the PICTURE menu.

```
Transmission [x][u][ ][Set ID][ ][Data][Cr]
```

Data Min : 00 to Max : 64

* Refer to 'Real data mapping'. See p.41.

```
Ack [u][ ][Set ID][ ][OK/NG][Data][x]
```

17. Energy Saving (Command: j q)

- ▶ To reduce the power consumption of the TV. You can also adjust Energy Saving in PICTURE menu.

Transmission [j][q][][Set ID][][Data][Cr]

Power Saving Function					Level				Description
7	6	5	4		3	2	1	0	
0	0	0	0	Low Power	0	0	0	0	Off
0	0	0	0	Low Power	0	0	0	1	Minimum
0	0	0	0	Low Power	0	0	1	0	Medium
0	0	0	0	Low Power	0	0	1	1	Maximum
0	0	0	0	Low Power	0	1	0	1	Screen Off
0	0	0	0	Low Power	0	1	0	0	Auto

- ▶ 'Auto' is available in TV that supports 'Intelligent Sensor'

Ack [q][][Set ID][][OK/NG][Data][x]

18. Auto Configure(Command: j u)

- ▶ To adjust picture position and minimize image shaking automatically. It works only in RGB (PC) mode.

Transmission [j][u][][Set ID][][Data][Cr]

Data 01: To set

Ack [u][][Set ID][][OK/NG][Data][x]

19. Tune Command (Command: m a)

- ▶ Select channel to following physical number.

Transmission [m][a][][Set ID][][Data0][][Data1][][Data2][Cr]

Data00 : High channel data

Data01 : Low channel data

ex. No. 47 -> 00 2F (2FH)
No. 394 -> 01 8A (18AH),
DTV No. 0 -> Don't care

Data02 : [Antena]

0x00 : Analog Main

0x10 : DTV Main

0x20 : Radio

[Cable]

0x80 : Analog Main

0x90 : DTV Main

0xA0 : Radio

Channel data range

Analogue - Min: 00 to Max: 63 (0 to 99)

Digital - Min: 00 to Max: 3E7 (0 to 999)

Ack [a][][Set ID][][OK/NG][Data][x]

Data Min: 00 to Max: 7DH

20. Programme Add/Skip(Command: m b)

- ▶ To set skip status for the current Programme.

Transmission [m][b][][Set ID][][Data][Cr]

Data 00 : Skip 01 : Add

Ack [b][][Set ID][][OK/NG][Data][x]

21. Key(Command: m c)

- ▶ To send IR remote key code.

Transmission [m][c][][Set ID][][Data][Cr]

Data Key code - See p.34.

Ack [c][][Set ID][][OK/NG][Data][x]

22. Control Back Light(Command: m g)

- ▶ To control the back light.

Transmission [m][g][][Set ID][][Data][Cr]

Data Min : 00 to Max : 64

Ack [g][][Set ID][][OK/NG][Data][x]

23. Input select (Command: x b)

(Main Picture Input)

▶ To select input source for main picture.

Transmission [x][b][][Set ID][][Data][Cr]

Data Structure

MSB

LSB

0	0	0	0	0	0	0	0
└ External Input ┘				└ Input Number ┘			

External Input				Data
0	0	0	0	DTV
0	0	0	1	Analogue
0	0	1	0	AV
0	1	0	0	Component
0	1	1	0	RGB
0	1	1	1	HDMI
1	0	0	0	
1	0	0	1	
1	0	1	0	

Input Number				Data
0	0	0	0	Input1
0	0	0	1	Input2
0	0	1	0	Input3
0	0	1	1	Input4

Ack [b][][Set ID][][OK/NG][Data][x]

*** Real data mapping**

```

00 : Step 0
:
A : Step 10 (Set ID 10)
:
F : Step 15 (Set ID 15)
10 : Step 16 (Set ID 16)
:
64 : Step 100
:
6E : Step 110
:
73 : Step 115
74 : Step 116
:
CF : Step 199
:
FE : Step 254
FF : Step 255

```



The model and serial numbers of the TV is located on the back of the TV
Record it below should you ever need service.

Model _____
Serial _____

