



LG

Life's Good

ENGLISH

OWNER'S MANUAL

NEW TYPE CYCLONE VACUUM CLEANER

This information contains important instructions for the safe use and maintenance of the vacuum cleaner. Especially, please read all of the information on page 6-9 for your safety. Please keep this manual in an easily accessible place and refer to it anytime.

VC23****

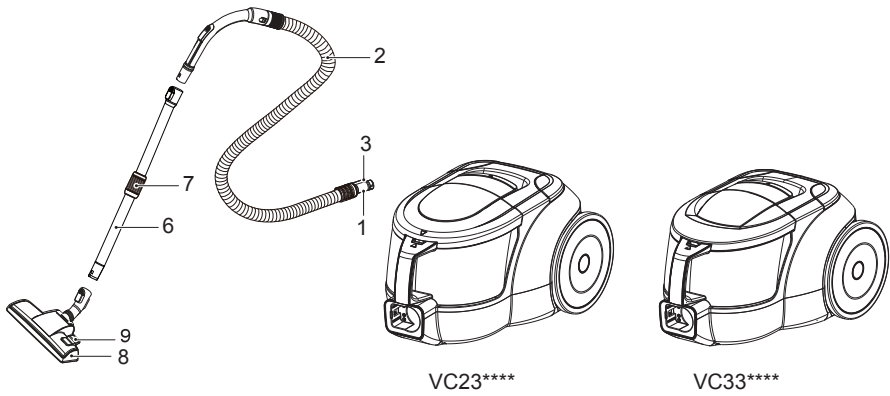
VC33****



MFL67892721

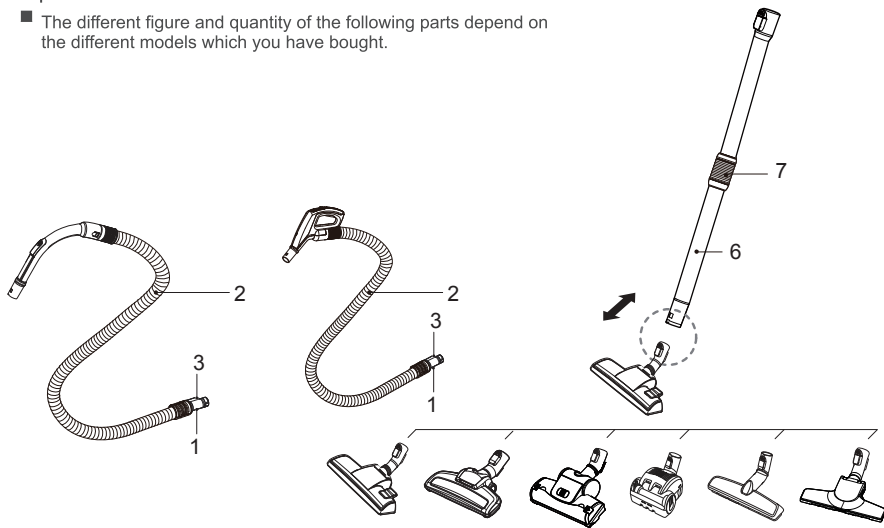
www.lg.com

Basic Parts



Optional Parts

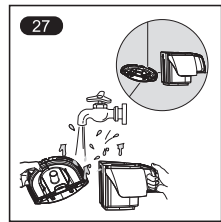
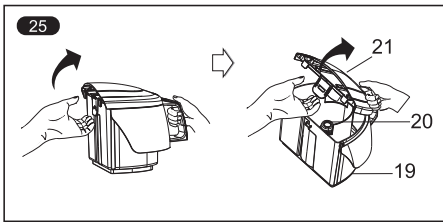
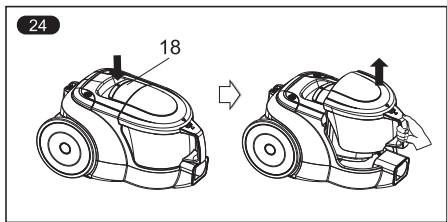
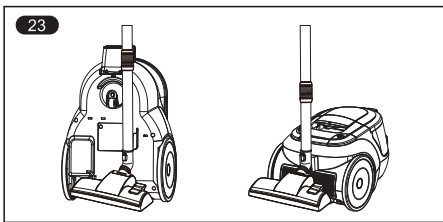
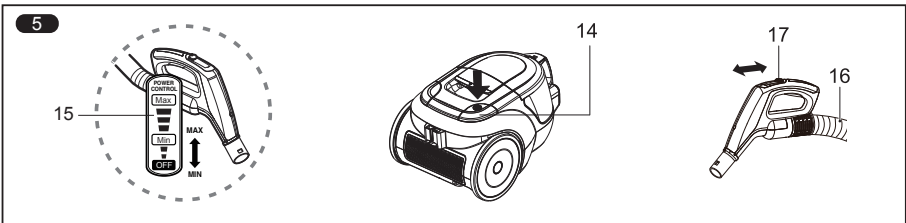
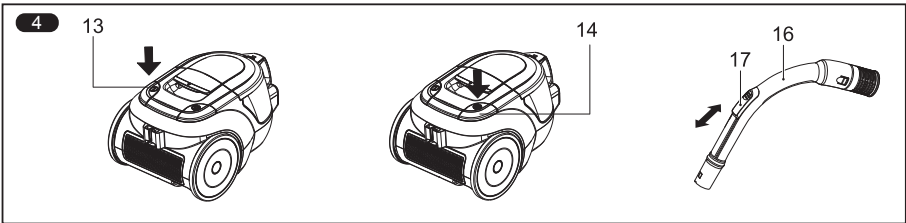
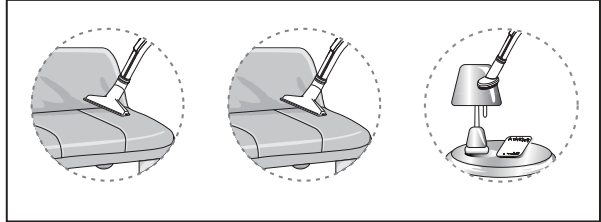
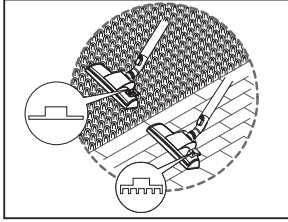
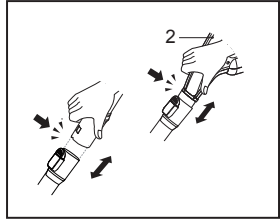
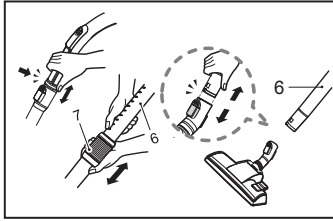
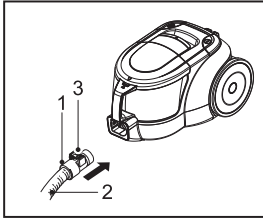
- The different figure and quantity of the following parts depend on the different models which you have bought.

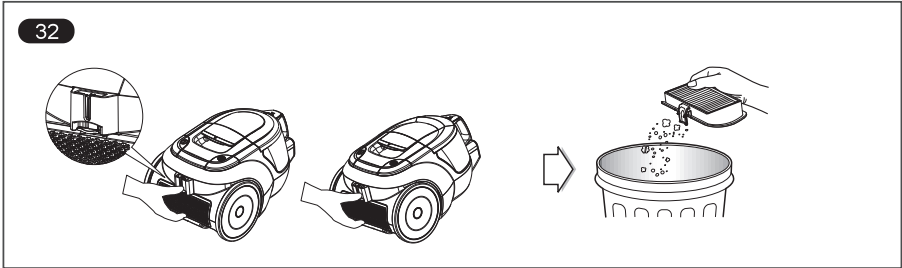
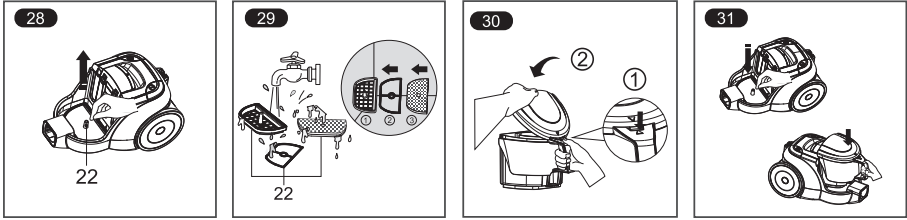


Accessory

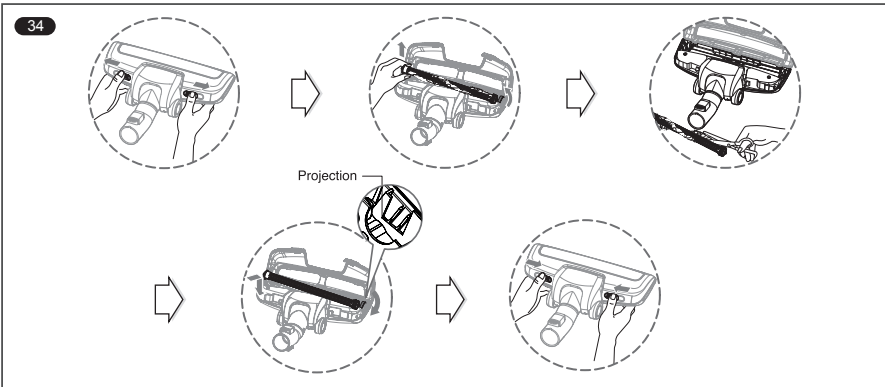
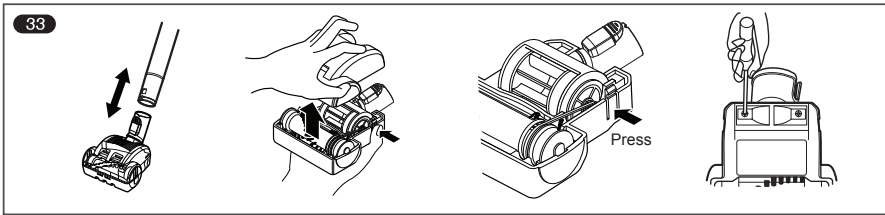
- These specifications are subject to change according to the agent/buyer's request.

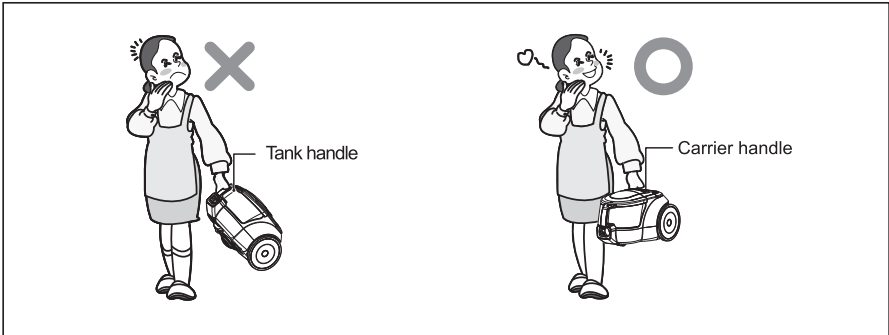
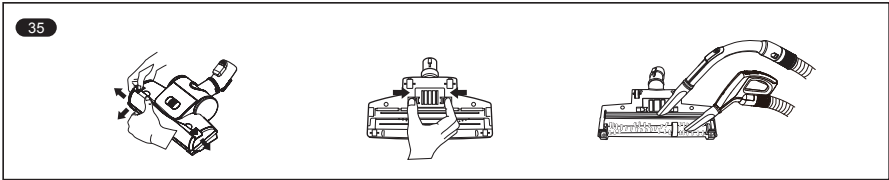
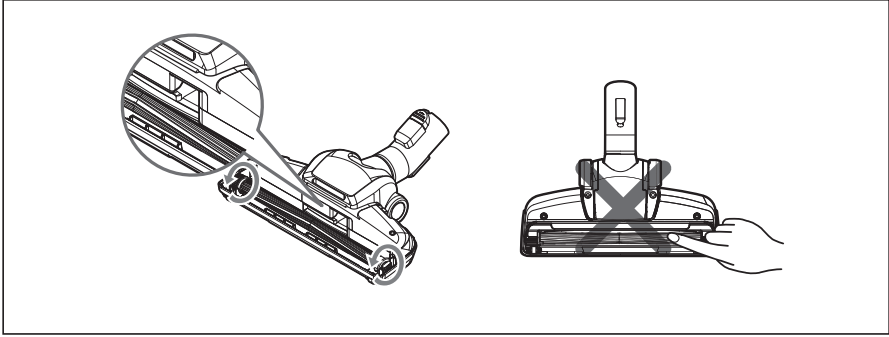






Optional Parts





IMPORTANT SAFETY INSTRUCTIONS

Read and follow all instructions before using your vacuum cleaner to prevent the risk of fire, electric shock, personal injury, or damage when using the vacuum cleaner. This guide does not cover all possible conditions that may occur. Always contact your service agent or manufacturer about problems that you do not understand. This appliance complies with the following ECDirectives:-2006/95/EC Low Voltage Directive-2004/108/EC EMC Directive.



This is the safety alert symbol.

This symbol alerts you to potential hazards that can kill or hurt you and others.

All safety messages will follow the safety alert symbol and either the word "WARNING" or "CAUTION." These words mean:



WARNING

This symbol will alert you to hazards or unsafe practices which could cause serious bodily harm or death.



CAUTION

This symbol will alert you to hazards or unsafe practices which could cause bodily injury or property damage.



WARNING

- **Do not use the vacuum cleaner if the power cord or plug is damaged or faulty.**

If the power cord is damaged, it must be replaced by an approved LG Electronics Service Agent to avoid a hazard.

- **This appliance is not intended for use by persons (including children) with reduced physical, sensory or mental capabilities, or lack of experience and knowledge, unless they have been given supervision or instruction concerning use of the appliance by a person responsible for their safety.**

Children should be supervised to ensure that they do not play with the appliance.

- **This appliance can be used by children aged from 8 years and above and persons with reduced physical, sensory or mental capabilities or lack of experience and knowledge if they have been given**

 **WARNING**

supervision or instruction concerning use of the appliance in a safe way and understand the hazards involved. Children shall not play with the appliance. Cleaning and user maintenance shall not be made by children without supervision.

- **Disconnect electrical supply before servicing or cleaning the unit or when cleaner is not in use.**
Failure to do so could result in electrical shock or personal injury.
- **Do not vacuum liquid, blade, gesso, substances, or small particles like cement, burning or smoking such as cigarettes, or hot ashes in cleaning.**
- **Do not vacuum flammable or explosive substances such as gasoline, benzene, thinners, propane (liquids or gases).**
The fumes from these substances can create a fire hazard or explosion. Doing so could result in death or personal injury.
- **Do not handle plug or vacuum cleaner with wet hands.**
Doing so could result in death or electrical shock.
- **Do not unplug by pulling on cord.**
Doing so could result in product damage or electrical shock. To unplug, grasp the plug, not the cord.
- **Keep hair, loose clothing, fingers, and all parts of the body away from openings and moving parts.**
Failure to do so could result in electrical shock or personal injury.
- **Do not pull or carry by cord, use cord as a handle, close a door on cord, or pull cord around sharp edges or corners. Do not run vacuum cleaner over cord. Keep cord away from heated surfaces.**
Failure to do so could result in electrical shock or personal injury or fire or product damage.
- **Do not allow to be used as toy. Close attention is necessary when used by or near children.**
Personal injury or product damage could result.
- **Do not use vacuum cleaner if it has been under water.**
Personal injury or product damage could result. In these cases, contact LG Electronics Service Agent to avoid hazard.
- **Do not continue to vacuum if any parts appear missing or damaged.**
Personal injury or product damage could result. In these cases, contact LG Electronics Service Agent to avoid hazard.
- **Do not use an extension cord with this vacuum cleaner**
Fire hazard or product damage could result.
- **Using proper voltage.**
Using improper voltage may result in damage to the motor and possible injury to the user. Proper voltage is listed on the bottom of vacuum cleaner.
- **Turn off all controls before unplugging.**
Failure to do so could result in electrical shock or personal injury.
- **Do not change the plug in any way.**
Failure to do so could result in electrical shock or personal injury or product damage. Doing so result in death. If plug does not fit, contact a qualified electrician to install the proper outlet.
- **Repairs to electrical appliances may only be performed by qualified service engineers.**
Improper repairs may lead to serious hazards for the user.
- **Do not plug in if control knob is not in OFF position.**
Personal injury or product damage could result. (Depending on model)

IMPORTANT SAFETY INSTRUCTIONS

WARNING

- **Keep children away and beware of obstructions when rewinding the cord to prevent personal injury.**

The cord moves rapidly when rewinding.
(Depending on model)

- **The hose contains electrical wires. Do not use it if it is damaged, cut or punctured.**

Failure to do so could result in death, or electrical shock. (Depending on model)

CAUTION

- **Do not put any objects into openings.**
Failure to do so could result in product damage.

- **Do not use with any opening blocked: keep free of dust, lint, hair, and anything that may reduce air flow.**

Failure to do so could result in product damage.

- **Do not use vacuum cleaner without dust tank and/or filters in place.**

Failure to do so could result in product damage.

- **Do not use vacuum cleaner to pick up sharp hard objects, small toys, pins, paper clips, etc.**

They may damage the cleaner or dust bin.

- **Store the vacuum cleaner indoors.**

Put the vacuum cleaner away after use to prevent tripping over it.

- **Only use parts produced or recommended by LG Electronics Service Agents.**

Failure to do so could result in product damage.

- **Use only as described in this manual. Use only with LG recommended or approved attachments and accessories.**

Failure to do so could result in personal injury or product damage.

- **To avoid personal injury and to prevent the machine from falling when cleaning stairs, always place it at the bottom of stairs.**

Failure to do so could result in personal injury or product damage.

- **Use accessory nozzles in sofa mode.**

Failure to do so could result in product damage.

- **Make sure the filters (exhaust filter and motor safety filter) are completely dry before replacing in the machine.**

Failure to do so could result in product damage.

- **Do not dry the filter in an oven or microwave.**

Failure to do so could result in fire hazard.

- **Do not dry the filter in a clothes dryer.**

Failure to do so could result in fire hazard.

- **Do not dry near an open flame.**

Failure to do so could result in fire hazard.

- **Always clean the dust bin after vacuuming carpet cleaners or fresheners, powders and fine dust.**

These products clog the filters, reduce airflow and can cause damage to the cleaner.

Failure to clean the dust bin could cause permanent damage to the cleaner.

(Depending on model)

- **Don't grasp the tank handle when you are moving the vacuum cleaner.**

The vacuum cleaner's body may fall when separating tank and body. Personal injury or product damage could result. **You should grasp the carrier handle** when you are removing the vacuum cleaner.

(Depending on model)

IMPORTANT SAFETY INSTRUCTIONS

CAUTION

Thermal protector :

This vacuum cleaner has a special thermostat that protects the vacuum cleaner in case of motor overheating. If the vacuum cleaner suddenly shuts off, turn off the switch and unplug the vacuum cleaner. Check the vacuum cleaner for possible source of overheating such as a full dust tank, a blocked hose or clogged filter. If these conditions are found, fix them and wait at least 30 minutes before attempting to use the vacuum cleaner. After the 30 minute period, plug the vacuum cleaner back in and turn on the switch.

CAUTION

This hose contains electrical connections:

- do not use to suck up water ;
- do not immerse in water for cleaning;
- the hose should be checked regularly and must not be used if damaged.

How to Use

Connecting the flexible hose

Push the end of the head (1) on the flexible hose (2) into the attachment point on the vacuum cleaner.

To remove the flexible hose from the vacuum cleaner, push the button (3) situated on the head, then pull upwards.

Assembling the tubes

(depending on model)

- **Telescopic tube (6)**
 - Push spring latch (7).
 - Pull out tube to required length.
 - Release spring latch to lock.

Using the cleaning head and Accessory

Nozzles (depending on model)

Fit the large cleaning head onto the end of the tube.

- **The 2 position head (8)** is equipped with a pedal (9) which allows you to alter its position according to the type of floor to be cleaned.
Hard floor position (tiles, parquet floors...): Push the pedal to lower the brush.
Carpet or rug position: Push the pedal to lift the brush up.

- **Crevice Tool (10)**

For vacuuming in those normally inaccessible places i.e. reaching cobwebs, or down the side of a sofa!

- **Upholstery Nozzle (11)**

For vacuuming upholstery, mattresses, etc. The thread collectors help to pick up the threads and fluff.

- **Dusting brush (12)**

For vacuuming picture frames furniture outlines, books and other uneven objects.

- Place the control knob of the hose handle to the required position.
- To turn off, slide control knob to OFF position.

How to plug in and use

Pull out the mains lead to the desired length and plug into the socket.

ON/OFF type: (4)

Push the button (13) to start the vacuum cleaner. To stop it press the button (13) again.

Hose slide type: (5)

- Place the control knob of the hose handle to the required position.

Adjusting the power level

(depending on model)

- The flexible hose handle (16) has a manual air flow regulator (17) which allows you to briefly reduce the suction level.

Parking and storage (23)

When you have switched off and unplugged the appliance, push the button (14) to automatically rewind the cord.

Slide the hook on the nozzle into the slot on the side of vacuum cleaner. You can store your vacuum cleaner in a vertical position by sliding the hook on the nozzle into the slot on the underside of the vacuum cleaner.

Raising the dust tank (24)

After turning off appliance and unplugging it, slide lever (18) and hold the tank handle, then raise the tank.

Opening the dust tank (25)

Please pull the hook (21) behind the tank, then open the tank cover.

Emptying the dust tank

As below, if these things happen to your vacuum cleaner, please turn off the appliance, unplug it and remove hose. Take out the dust tank (24) and motor safety filter (22) from the cleaner. Then empty the dust tank (26) and clean the motor safety filter (22).

- When the dust in the tank (19) reaches the maximum line.
- When a great deal of dust has clogged up the inner cover (20).
- When the motor safety filter (22) is full of dust. Wash the dust tank (27) with cold water. Dry fully in shade so that moisture is removed entirely.



If after emptying the dust tank the suction is low, clean the motor safety filter.

Failure to do so could result in product damage.

Closing the dust tank

According to the arrow's direction(30) on the top of tank handle, please take the hook into the hole on the handle and close the dust tank by locking the hook behind it.

Cleaning the motor safety filter

The motor safety filter is situated inside the appliance under the dust tank. Each time that you clean the motor safety filter, we advise you to take out the motor safety filter (28).

Wash it with cold water (29) and dry fully in shade so that moisture is removed entirely.

And then place it again in the vacuum cleaner. The motor safety filter should be cleaned at least once a month.

Fixing the dust tank

According to the arrow's direction (31), please close the dust tank correctly and then put it in the vacuum cleaner.

Do not use vacuum cleaner without motor safety filter.

Failure to do so could result in motor damage and weak suction.

WARNING

Dry fully over than 24 hrs in shade.

Cleaning exhaust filter(32)

- The exhaust filter is a reusable HEPA filter (depend on model).
- To clean the exhaust filter, remove it on the body by releasing hook.
- Dust off filter. (Do not wash filter with water)
- The exhaust filter should be cleaned at least once a year.

Mini turbine nozzle (optional)(33)

- Mini turbine is used for stairs and other hard to reach places.

- To clean the mini turbine nozzle, remove the nozzle cover: Remove 2 screws on the bottom and take mini turbine nozzle cover off as shown.

- Frequently clean and remove hair, string, and lint build-up in the brush area. Failure to do so could damage to mini turbine nozzle.

Turbine Nozzle (depending on model)(34)

- **Cleaning turbine nozzle.**
- Push the lever outside.
- Open the cover and put up the brush.
- Clean the brush and nozzle.
- Push the brush into the projection, put down the brush and close the cover.
- Push the lever inside.

CAUTION

Personal injury hazard .

- Always unplug the vacuum cleaning.
- Failure to do so could result in personal injury.
- Do not block up the hole by hand or another object(paper ,fabric ,stockings ,etc) when open the cover.
- Do not touch the brush when nozzle is overturned.
- Do not touch the brush because the brush is so hot after turning off the vacuum cleaner.

Turbine Nozzle (depending on model)(35)

- **Cleaning turbine brush nozzle.**
- Press the button on the rear side of the nozzle to separate the air cover.
- Use the dusting brush & crevice tool to vacuum clean the brush and fan.

What to do if your appliance does not work ?

Check that the appliance is correctly plugged in and that the electrical socket is working.

What to do when the suction performance reduces?

- Stop the appliance and unplug it.
- Check that the tubes, flexible hose and cleaning tool are not blocked.
- Check dust in the tank does not reach the maximum line. Empty the dust tank if necessary.
- Check that the inner cover (**20**) is not clogged, Clean up it if necessary.
- Check that the motor safety filter (**22**) is not full of dust. Clean up it if necessary.



WARNING

No suction liquids.
Suction liquids can cause defects.

إغلاق خزان الغبار

وفقا لاتجاه السهم (30) فوق مقبض دبابات، يرجى وضع هوك في حفرة على التعامل معها ، ومن ثم قفل لربط لإغلاق خزان الغبار.

تنظيف فلتر سلامة الموتور

يوجد فلتر سلامة الموتور داخل الجهاز أسفل خزان الغبار.

في كل مرة تقوم بتنظيف فلتر سلامة الموتور، ننصحك بزيارة فلتر سلامة الموتور (28).

اغسله بماء بارد (29) وجففه بشكل كامل في الظل بحيث يتم إزالة الرطوبة بشكل كامل.

الرجاء تنظيف الفلتر سلامة السيارات على الأقل مرة واحدة في الشهر

⚠️ التحفيف التام لأكثر من ٢٤ ساعة في الظل

تثبيت خزان الغبار

يرجى قفل خزان الغبار بشكل صحيح وفقا لاتجاه السهم (31)، ثم ثبته في المكانة الكهربائية.

⚠️ ثم بعد ذلك أعد تثبيته في المكانة الكهربائية. لا تستخدم المكثفة الكهربائية بدون فلتر سلامة الموتور. حيث إن عدم القيام بذلك من شأنه أن يؤدي إلى تلف الموتور وإضعاف قوة الشفط.

تحذير

يتم التحفيف لأكثر من 24 ساعة في الظل.

تنظيف فلتر العادم (32)

- فلتر العادم هو نوع من فلتر HEPA الذي يمكن إعادة استعماله (حسب الطراز) .
- اطلاق سراح هوك لإزالة تصفية العادم على الجسم قبل التنظيف
- ازالة الغبار من الفلتر (ممنوع تنظيف الفلتر بالماء) .
- يجب تنظيف فلتر العادم مرة واحدة كل سنة على الأقل .

فوهة ميكرو التوربينة (اختياري) (33)

- استعمال ميكرو التوربينة للمدرجات أو أماكن أخرى صعبة الوصول.
- من أجل تنظيف فوهة ميكرو التوربينة، اخراج غطاء الفوهة: فك 2 براغي في الأسفل وإخراج غطاء الفوهة كما هو مبين.
- تنظيف وإزالة الشعر والخيط والأوساخ المتراكمة في مكان الفرشاة. قد يسبب تخريب فوهة ميكرو التوربينة إذا لم يتم ذلك.

الفوهة الطربينية (حسب الطراز) (34)

- تنظيف فوهة الفرشاة الطربينية .
- دفع الذراع إلى الخارج .
- فتح الغطاء ووضع الفرشاة .
- تنظيف الفرشاة والفوهة .
- دفع الفرشاة إلى الإسقاط، اخمد الفرشاة، ثم أغلق الغطاء .
- دفع ذراع إلى الجزء الداخلي .

⚠️ تنبيه

- خطر الإصابة الشخصية.
- أفضل دائما المكثفة الكهربائية قبل التنظيف.
- خلاف ذلك قد يؤدي إلى الإصابة الشخصية
- لا تسد فتحة المكثفة بيديك أو بأي مواد أخرى (مثل الورق والأقمشة والجوارب وما إلى ذلك)

عند فتح الغطاء

- ،لا تلمس الفرشاة عندما تنقلب الفوهة
- لا تلمس الفرشاة لأن الفرشاة تكون حار جدا بعد إيقاف تشغيل المكثفة الكهربائية

الفوهة الطربينية (حسب الطراز) (35)

- تنظيف فوهة الفرشاة الطربينية .
- ضغط الزر وراء الفوهة لفك غطاء الهواء .
- استعمال فرشاة الغبار وأدوات تنظيف الأركان لتنظيف وشفط الفرشاة والمروح .

ما الذي يجب فعله عند توقف الجهاز عن العمل؟

افحص الجهاز للتأكد من اتصاله بالتيار بشكل صحيح ومن عمل مأخذ التيار الكهربائي.

ما الذي يجب فعله عند انخفاض مستوى الشفط؟

- أوقف تشغيل الجهاز وافصل توصيلاته.
- تأكد من عدم انسداد الماسير والخراطوم المرز وأداة التنظيف .
- تأكد من أن الغبار في الخزان لم يصل إلى الحد الأقصى.
- افرغ خزان الغبار إذا لزم الأمر .
- تحقق من أن الغطاء الداخلي (20) غير مسدود، وقم بتنظيفه إذا لزم الأمر .
- تأكد من أن فلتر سلامة الموتور (22) ليس مملؤ تماما بالغبار. قم بتنظيفه إذا لزم الأمر .

⚠️ تحذير

لا يوجد امتصاص للسوائل.
يمكن أن يتسبب امتصاص السوائل في حدوث أعطال.

آيغية الاستخدام

توصيل الخرطوم المرن

ادفع نهاية الرأس (1) بالخرطوم المرن (2) إلى فتحة التركيب في المكنسة الكهربائية.

لإخراج الخرطوم المرن من المكنسة الكهربائية، اضغط على الزر (3) الموجود على الرأس، ثم اسحب لأعلى.

تركيب الأنابيب (حسب الطراز)

• الماسورة المترابطة (6)

- ادفع ماسورة الربط
- اسحب الماسورة إلى الطول المطلوب.
- حرر ماسورة الربط ليتم القفل.

استخدام رأس التنظيف والملحقات الإضافية (حسب الطراز)

قم بتركيب رأس التنظيف العريضة في نهاية الماسورة.

الرأس ذو الوضع الثاني (8) تم تزويدها بدواسة (9)

والتي تسمح لك بتغيير وضعها وفقاً لنوع الأرضية التي يتم تنظيفها. وضع الأرضية الصلبة (أرضيات الباركية والسيراميك...): اضغط على الدواسة لإزالة الفرشاة لأسفل وضع السجاد أو البساط. اضغط على الدواسة لرفع الفرشاة لأعلى.

أداة تنظيف الأركان (10)

للتنظيف في الأماكن التي لا يمكن الوصول إليها بشكل طبيعي (مثل أركان الأسقف أو أسفل قطع الأثاث).

فومة مواد التجديد (11)

لتنظيف مواد التجديد والمراتب تساعد مجموعات الخيوط على التقاط الخيوط والزرغب.

فرشاة الأثرية (12)

لتنظيف إطارات الصور وحروف قطع الأثاث والكتب والمواد الأخرى غير منتظمة الشكل.

كيفية التوصيل والاستخدام

اسحب سلك التيار إلى الطول المطلوب وقم بالتوصيل بأخذ التيار.

(نوع التشغيل) الإيقاف (ON/OFF) (4)

اضغط على الزر (13) لبدء تشغيل المكنسة الكهربائية. ولإيقاف المكنسة، اضغط على الزر (13) مرة أخرى.

(نوع انزلاق الخرطوم) (5)

• وضع مقبض التحكم لمقبض الخرطوم إلى المكان المطلوب.

• انزلاق مقبض التحكم إلى مكان OFF من أجل الوقف.

ضبط مستوى الطاقة (حسب الطراز)

- يحتوي مقبض الخرطوم المرن (16) على منظم تدفق هواء يدوي (17) يتيح لك خفض مستوى الشفط قليلاً.

الحمل والتخزين (23)

بعد إيقاف تشغيل الجهاز ونزع توصيلات الجهاز، اضغط على الزر (14) للترجيع التلقائي السريع للسلك.

نقل خطاف الفوهة إلى الفتحة في جانب المكنسة الكهربائية.

• وضع مقبض التحكم لمقبض الخرطوم في المكان المطلوب .

• نقل مقبض التحكم إلى مكان "الاطفاء" .

• ضغط زر بكرة السلك لارجاع

السلك الكهربائي بعد الاستعمال.

رفع الغبار دبابات (24)

بعد أن كنت قد تحولت وفصلها عن المنتج ، يرجى تحريك ذراع (18) والاستمرار على معالجة الخز ان، ومن ثم رفع الخزان.

فتح خزان الغبار (25)

سحب هوك (21) وراء الدبابية، ومن ثم فتح غطاء الخزان.

تفريغ خزان الغبار

المنظف مضبوط على أقصى طاقة والفوهة بعيدة عن الأرض. كما هو موضح أدناه، إذا حدثت تلك الأشياء للمكنسة الخاصة بك، يرجى إيقاف

تشغيل الجهاز، وافصلها من منفذ التيار وقم بإزالة الخرطوم، أخرج خزان الغ

بار (24) وقلتر سلامة الموتور من المكنسة.

ثم أفرغ خزان الغبار (26) ونظف فلتر سلامة الموتور (22).

• عندما يصل الغبار في الخزان (19) إلى الحد الأقصى.

• عند انسداد الغطاء الداخلي (20) بسبب كتلة كبيرة من الغبار.

• عندما يمتلئ فلتر سلامة الموتور (22) تماماً بالغبار.

اغسل خزان الغبار (27) بماء بارد.

جفف الخزان بشكل كامل في الظل بحيث يتم إزالة الرطوبة بشكل كامل.

⚠ إذا كانت قدرة الشفط لا تزال ضعيفة بعد إفراغ خزان الغبار، قم بتنظيف فلتر سلامة الموتور.

حيث إن عدم القيام بذلك من شأنه أن يؤدي إلى إصابة شخصية.

تنبيه !

الواقى الحراري:

يوجد بهذه المكنسة ترموستات يحميها في حالة ارتفاع درجة حرارة المحرك. في حالة توقف المكنسة الكهربائية فجأة، فأغلق المفتاح وافصلها عن التيار الكهربائي. افحص المكنسة الكهربائية للتأكد من عدم وجود مصدر لارتفاع الحرارة مثل امتلاء غرفة الأتربة أو انسداد خرطوم أو انسداد مرشح. في حالة وجود أي من هذه الحالات، قم بإصلاحها أو انتظر لمدة ٣٠ دقيقة على الأقل قبل محاولة استخدام المكنسة الكهربائية. وبعد مرور ٣٠ دقيقة، قم بتوصيل المكنسة الكهربائية بالتيار الكهربائي وأدر المفتاح .

تنبيه !

هذا الخرطوم يحتوي على وصلات كهربائية

لا تستخدمه في شطف المياه

لا تغمسه في المياه بغرض التنظيف

يجب الكشف عليه من فترة لأخرى ولا يجب استخدامه إذا حدث له أي تلف

تعليمات هامة للسلامة



- لا تضع أي أغراض في الفتحات.
حيث يمكن أن يؤدي عدم القيام بذلك إلى تلف المنتج .
- لا تستخدم المكنسة في حالة انسداد الفتحات:
احفظ الفتحات بعيدا عن الأتربة أو النسالة أو الشعر أو أي شيء قد يقلل تيار الهواء .
حيث يمكن أن يتسبب ذلك في تلف المنتج .
- لا تستخدم المكنسة بدون صندوق الأتربة و/أو المرشحات مثبتة في أماكنها.
حيث يمكن أن يؤدي عدم القيام بذلك إلى تلف المنتج .
- لا تستخدم المكنسة في تنظيف الأشياء الحادة والصلبة مثل الديابيس، أو الحجارة، أو الألعاب الصغيرة، إلخ .
فقد تتلف هذه الأشياء المكنسة أو صندوق الأتربة .
- تخزين المكنسة الكهربائية داخل المنزل .
أحفظ المكنسة بعيدا بعد الاستخدام لمنع لتجنب التعثر فيها .
- ممنوع استعمال المكنسة الكهربائية من قبل الأشخاص الضعيفة (بما فيه الأطفال) في الجسم أو الحسية أو العقل أو بدون الخبرات والعلم، الأ تحت إشراف وتعليم شخص مسئول عن سلامتهم حول استعمال المكنسة الكهربائية .
يجب تأكد عدم لعب المكنسة الكهربائية من قبل الأطفال .
- استخدم قطع الغيار المنتجة أو الموصى بها من قبل وكلاء خدمة شركة LG Electronics .
حيث يمكن أن يؤدي عدم القيام بذلك إلى تلف المنتج .
- استخدم المكنسة الكهربائية كما هو موصوف في هذا الدليل فقط استخدمها فقط مع الملحقات أو المرفقات الموصى بها أو المعتمدة من LG .
حيث يمكن أن يؤدي عدم القيام بذلك إلى الإصابة الجسدية أو تلف المنتج .
- لتجنب الإصابة الجسدية أو لمنع الجهاز من الصندوق عند تنظيف السلاالم، ضع المكنسة دائما أسفل السلاالم .
حيث يمكن أن يؤدي عدم القيام بذلك إلى الإصابة الجسدية أو تلف المنتج .
- استخدم الفوهات المرفقة في وضع الأريكة.
حيث يمكن أن يتسبب ذلك في تلف المنتج .
- لا تجفف المرشح في فرن أو ميكروويف .
حيث يمكن أن يؤدي عدم القيام بذلك إلى خطر الحريق .
- لا تجفف المرشح في مجفف الملابس .
حيث يمكن أن يؤدي عدم القيام بذلك إلى خطر الحريق .
- لا تجفف المكنسة بالقرب من مصدر لهب مفتوح .
حيث يمكن أن يؤدي عدم القيام بذلك إلى خطر الحريق .
- قم بتنظيف المكنسة دائما بعد تنظيف السجاد والمنظفات والمنعشات والمساحيق والأتربة الدقيقة .
فهذه الأشياء تسد المرشحات وتقلل تيار الهواء ويمكنها أن تتلف المكنسة قد يؤدي عدم تنظيف صندوق الأتربة إلى تلف دائم للمكنسة.
(حسب الطراز)
- لا تمسك الصندوق من المقبض أثناء تحريك المكنسة .
فقد يسقط جسم المكنسة عند فصل الصندوق عن المقبض حيث يمكن أن يؤدي ذلك إصابة جسدية أو إلى تلف المنتج يجب أن تمسك من مقبض الحمل عند تحريك . (حسب الطراز)
- إذا أضاء مصباح المؤشر بعد إفراغ صندوق الأتربة باللون (الأحمر)، فقم بتنظيف صندوق الأتربة .
حيث يمكن أن يؤدي عدم القيام بذلك إلى تلف المنتج. (حسب الطراز)

- لا تستبدل القابس بأي شكل من الأشكال
قد يؤدي عدم القيام بذلك إلى الصدمة الكهربائية أو الإصابة الجسدية أو تلف المنتج قد يؤدي القيام بذلك إلى الوفاة إذا لم يكن القابس مناسباً، فاتصل بكهربائي مختص لتركيب المنفذ الصحيح .
- يجب فقط القيام بإصلاح الأجهزة الكهربائية من قبل مهندسي صيانة متخصصين .
قد تؤدي الإصلاحات غير السليمة إلى مخاطر جسيمة للمستخدم.
- لا تقم بتوصيل التيار الكهربائي إذا لم يكن المقبض على الوضع OFF (إيقاف التشغيل) .
حيث يمكن أن يتسبب ذلك في الإصابة الجسدية أو تلف المنتج. (حسب الطراز)
- ابق الأطفال بعيداً ولاحظ العوائق عند لف السلك لمنع الإصابة الجسدية .
يتحرك السلك بسرعة أثناء اللف.
(حسب الطراز)
- يحتوي الخرطوم على أسلاك كهربائية لا تستخدمه إذا كان تالفاً أو مقطوعاً أو مثقوباً
حيث يمكن أن يؤدي عدم القيام بذلك إلى الوفاة أو الصدمة الكهربائية. (حسب الطراز)
- احتفظ بالشعر، والملابس الفضفاضة، والأصابع، وكل أجزاء الجسم بعيداً عن الفتحات والأجزاء المتحركة الأخرى .
قد يؤدي عدم القيام بذلك إلى الصدمة الكهربائية أو الإصابة الجسدية .
- لا تسحب المكنسة من سلك التيار أو تحملها منه، ولا تستخدم سلك التيار كمقبض، ولا تغلق الباب على سلك التيار، أو تلف سلك التيار حول أطراف حادة لا تسحب المكنسة الكهربائية على سلك التيار احتفظ بسلك التيار بعيداً عن الأسطح الساخنة.
قد يؤدي عدم القيام بذلك إلى الصدمة الكهربائية أو الإصابة الجسدية أو الحريق أو تلف المنتج .
- لا تستخدم المكنسة الكهربائية كلعبة . يجب الانتباه الشديد عند استخدام المكنسة أو عندما تكون قريبه من الأطفال حيث يمكن أن يتسبب ذلك في الإصابة الجسدية أو تلف المنتج .
- لا تستخدم الجهاز إذا كان سلك التيار الكهربائي تالفاً أو معيباً
حيث يمكن أن يتسبب ذلك في الإصابة الجسدية أو تلف المنتج .في هذه الحالة اتصل بوكيل خدمة شركة نذرفقه نذرفقه نذرفقه لتجنب المخاطر .

تعليمات هامة للسلامة

الرجاء قراءة جميع التعليمات قبل استخدام المكنسة الكهربائية لمنع خطر حدوث حريق، أو صدمة كهربائية، أو إصابة للأشخاص، أو تلف عند استخدام المكنسة الكهربائية، لا يشمل هذا الدليل كل الظروف المحتملة التي قد تحدث. اتصل دائماً بفني الخدمة أو المصنع في حالة وجود أية مشكلات لا تفهمها يتوافق هذا الجهاز مع قوانين الاتحاد الأوروبي للتوجيهات: توجيه الجهد الكهربائي المنخفض 2006/95/EC - وتوجيه 2004/108/EC EMC.

هذا هو رمز تنبيه للسلامة.

ينبهك هذا الرمز ضد المخاطر المحتملة التي يمكن أن تقتلك أو تؤذيك أنت أو الآخرين. تنبيه للسلامة وتعني كلمة تحذير أو "WARNING" حق تلي كل رسائل السلامة كل رمز "CAUTION" س تنبيه س تعني هذه الكلمات ما يلي:



ينبهك هذا الرمز إلى المخاطر أو الممارسات غير الآمنة والتي قد تؤدي إلى إصابة جسدية خطيرة أو الوفاة.

تحذير

ينبهك هذا الرمز إلى المخاطر أو الممارسات غير الآمنة والتي قد تؤدي إلى إصابة جسدية أو تلف الممتلكات.

تنبيه

تحذير

• ممنوع استعمال المكنسة الكهربائية إذا تم تخريب السلك الكهربائي أو القابض.

إذا تم تخريب السلك الكهربائي، فيجب تبديله من قبل وكيل الصيانة من LG Electronics من أجل تفادي المخاطر.

• لا تستمر في التنظيف بالمكنسة الكهربائية إذا بدا لك أن أية أجزاء مفقودة أو تالفة.

حيث يمكن أن يتسبب ذلك في الإصابة الجسدية أو تلف المنتج في هذه الحالة اتصل بوكيل خدمة شركة LG Electronics لتجنب المخاطر.

• لا تستخدم سلك التمديد مع هذه المكنسة الكهربائية.

حيث يمكن أن يتسبب ذلك في خطر الحريق أو تلف المنتج.

• استخدام الفولتية الصحيحة.

قد يؤدي استخدام فولتية غير صحيحة إلى تلف المحرك أو إصابة المستخدم الفولتية السليمة مطبوعة أسفل المكنسة الكهربائية.

• أوقف تشغيل كل مفاتيح التحكم في المكنسة قبل فصلها عن التيار.

قد يؤدي عدم القيام بذلك إلى الصدمة الكهربائية أو الإصابة الجسدية.

• أفضل مصدر التيار الكهربائي قبل صيانة الوحدة أو تنظيفها أو عند عدم استخدام المكنسة.

قد يؤدي عدم القيام بذلك إلى الصدمة الكهربائية أو الإصابة الجسدية.

• لا تستخدم المكنسة في تنظيف أشياء حارقة أو مصدر للأدخنة، مثل السجائر أو الرماد الساخن.

حيث يمكن أن يؤدي ذلك إلى الوفاة أو الحريق أو الصدمة الكهربائية.

• لا تقم بتنظيف المواد القابلة للاشتعال أو الانفجار مثل الجازولين أو البنزين أو مخفف الطلاء أو البروبان (سوائل أو غازات).

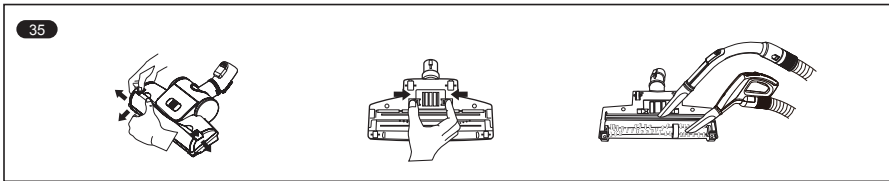
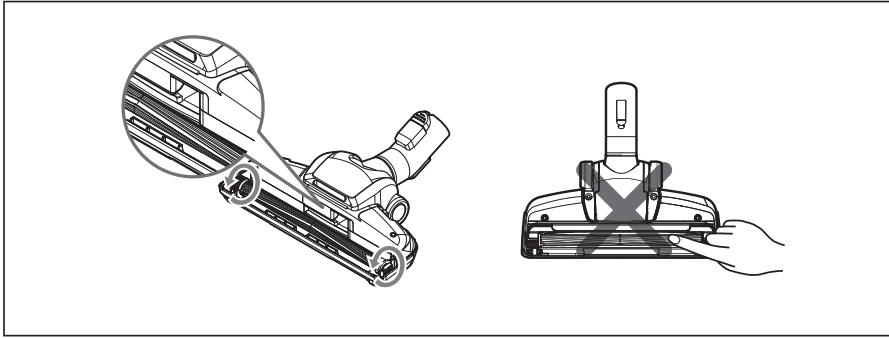
حيث يمكن للدخان الذي ينبعث من هذه السوائل أن يتسبب في خطر الحريق أو الانفجار حيث يمكن أن يؤدي ذلك إلى الوفاة أو الإصابة الجسدية.

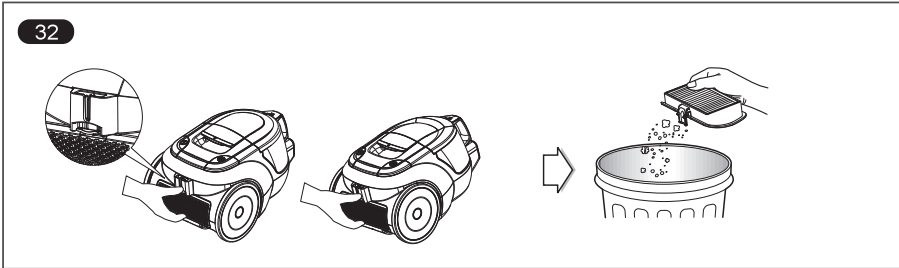
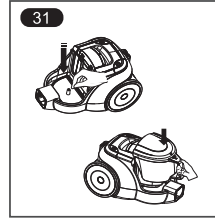
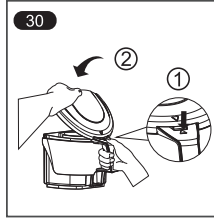
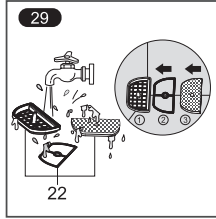
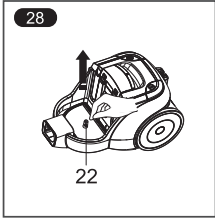
• لا تمسك القابض أو المكنسة بأيدي مبللة.

حيث يمكن أن يؤدي ذلك إلى تلف المنتج أو الصدمة.

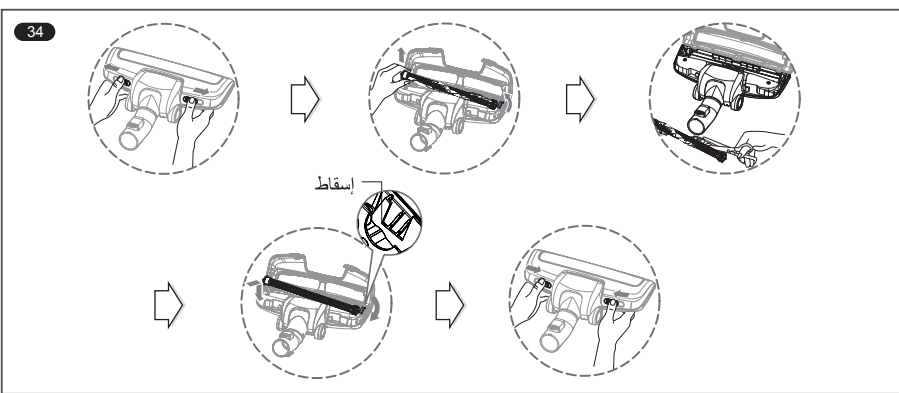
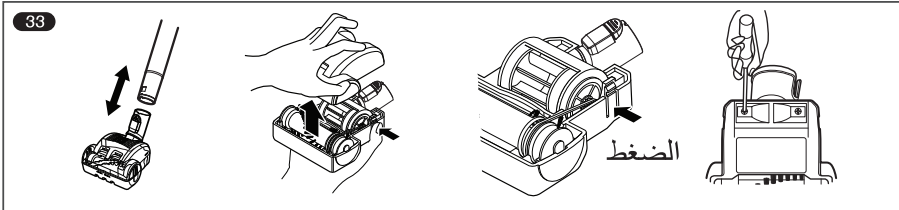
• لا تفصل التيار الكهربائي بجذب السلك.

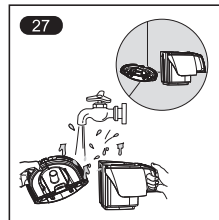
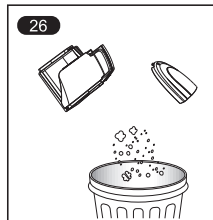
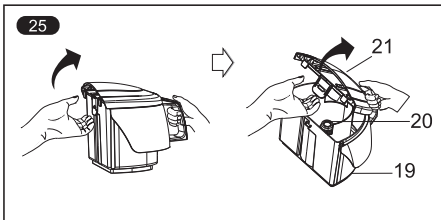
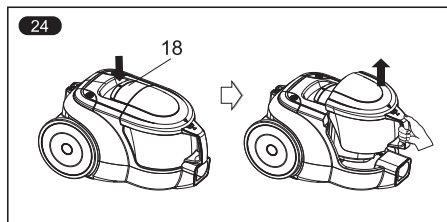
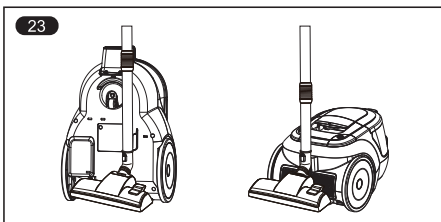
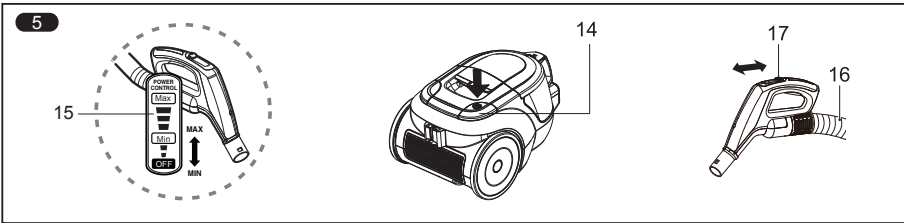
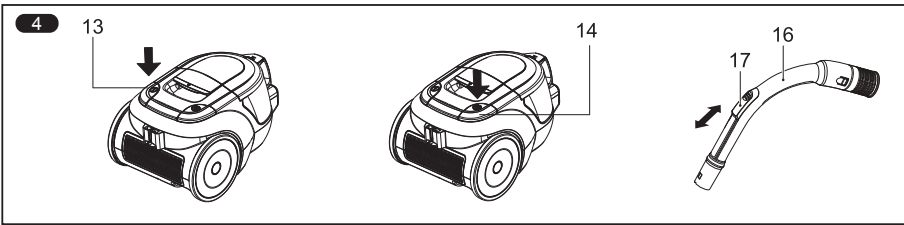
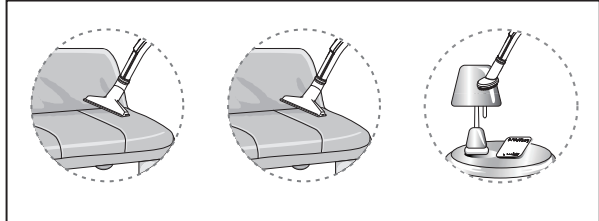
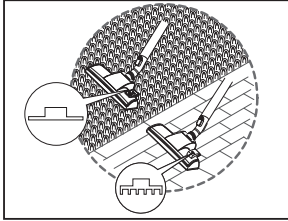
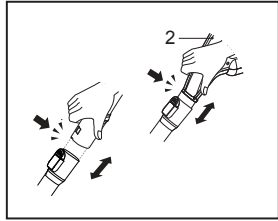
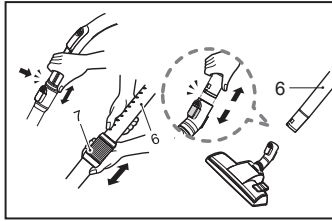
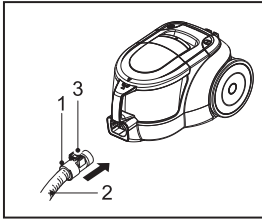
حيث يمكن أن يؤدي ذلك إلى تلف المنتج أو الصدمة الكهربائية. لفصل التيار عن المكنسة، امسك بالقابض، وليس السلك.



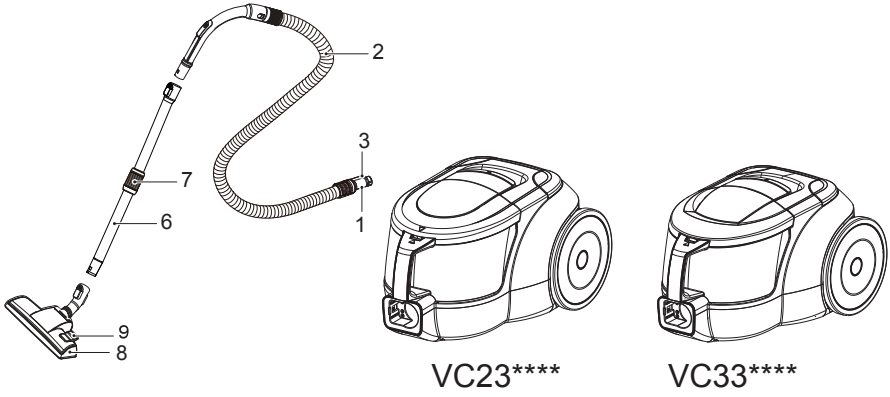


أجزاء اختيارية



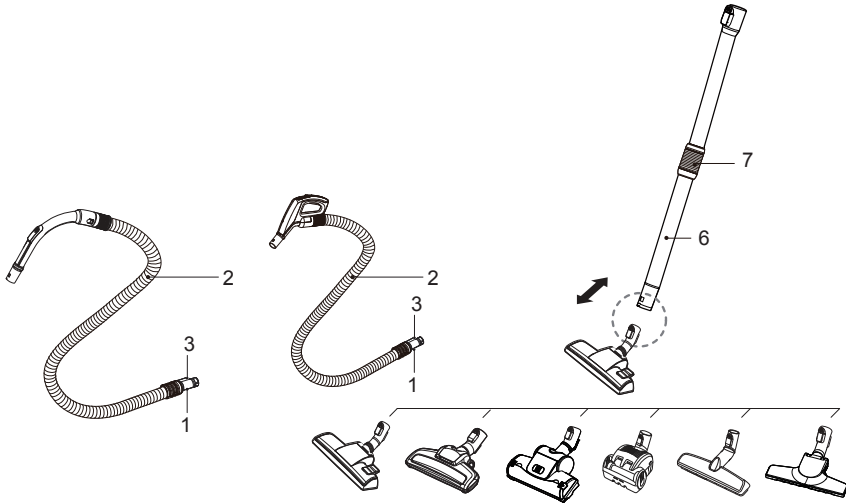


الأجزاء الرئيسية



أجزاء اختيارية

■ تعتمد أشكال وكمية الأجزاء التالية على نوع الطرازات المختلفة التي قمت بشرائها.



الملحق

■ تختلف تلك المواصفات وفقا لمتطلبات الوكيل/المشترى.





LG

Life's Good

العربية

دليل الاستعمال

نوع جديد للمكنسة الكهربائية الاعصارية

هذه المعلومات تحتوي تعليمات هامة لسلامة استعمال وصيانة المكنسة الكهربائية .
وخاصة يرجى قراءة جميع المعلومات في الصفحة 6-9 من أجل سلامتكم .
ويرجى احتفاظ هذا الدليل في مكان سهل الوصول ومراجعته في أي وقت .

VC23****

VC33****

