



# OWNER'S MANUAL

## LED TV\*

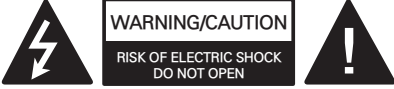
\* LG LED TV applies LCD screen with LED backlights.

Please read this manual carefully before operating your TV and retain it for future reference.

42LN5390  
47LN5390

# IMPORTANT SAFETY INSTRUCTIONS

Always comply with the following precautions to avoid dangerous situations and ensure peak performance of your product.



TO REDUCE THE RISK OF ELECTRIC SHOCK DO NOT REMOVE COVER (OR BACK). NO USER SERVICEABLE PARTS INSIDE. REFER TO QUALIFIED SERVICE PERSONNEL.

The lightning flash with arrowhead symbol, within an equilateral triangle, is intended to alert the user to the presence of uninsulated "dangerous voltage" within the product's enclosure that may be of sufficient magnitude to constitute a risk of electric shock to persons.

The exclamation point within an equilateral triangle is intended to alert the user to the presence of important operating and maintenance (servicing) instructions in the literature accompanying the appliance.

**WARNING/CAUTION**  
- TO REDUCE THE RISK OF FIRE AND ELECTRIC SHOCK, DO NOT EXPOSE THIS PRODUCT TO RAIN OR MOISTURE.

**WARNING**  
If you ignore the warning message, you may be seriously injured or there is a possibility of accident or death.

**CAUTION**  
If you ignore the caution message, you may be slightly injured or the product may be damaged.

**NOTE**  
The note helps you understand and use the product safely. Please read the note carefully before using the product.

Read these instructions.  
Keep these instructions.  
Heed all warnings.  
Follow all instructions.



- Do not allow the television to become wet.



- Clean only with a dry cloth.



- Do not block any ventilation openings. Install in accordance with the manufacturer's instructions.



- Do not install near any heat sources such as radiators, heat registers, stoves, or other apparatus (including amplifiers) that produce heat.



- Do not defeat the safety purpose of the polarized or grounding-type plug. A polarized plug has two blades with one wider than the other. A grounding type plug has two blades and a third grounding prong. The wide blade or the third prong are provided for your safety. If the provided plug does not fit into your outlet, consult an electrician for replacement of the obsolete outlet (Can differ by country).



- Do not press strongly upon the panel with a hand or a sharp object such as a nail, pencil or pen, or make a scratch on it.



- Protect the power cord from being walked on or pinched particularly at plugs, convenience receptacles, and the point where they exit from the apparatus.



- Only use attachments/accessories specified by the manufacturer.



- Use only with a cart, stand, tripod, bracket, or table specified by the manufacturer, or sold with the apparatus. When a cart is used, use caution when moving the cart/apparatus combination to avoid injury from tip-over.



- Unplug this apparatus during lightning storms or when unused for long periods of time.



- Refer all servicing to qualified service personnel. Servicing is required when the apparatus has been damaged in any way, such as power-supply cord or plug is damaged, liquid has been spilled or objects have fallen into the apparatus, the apparatus has been exposed to rain or moisture, does not operate normally, or has been dropped.



- Do not stick metal objects or any other conductive material into the power cord. Do not touch the end of the power cord while it is plugged in.
- Keep the packing anti-moisture material or vinyl packing out of the reach of children. Anti-moisture material is harmful if swallowed. If swallowed by mistake, induce vomiting and go the nearest hospital. Additionally, vinyl packing can cause suffocation. Keep it out of the reach of children.

- **CAUTION** concerning the Power Cord (Can differ by country):  
It is recommended that appliances be placed upon a dedicated circuit; that is, a single outlet circuit which powers only that appliance and has no additional outlets or branch circuits. Check the specification page of this owner's manual to be certain. Do not connect too many appliances to the same AC power outlet as this could result in fire or electric shock. Do not overload wall outlets. Overloaded wall outlets, loose or damaged wall outlets, extension cords, frayed power cords, or damaged or cracked wire insulation are dangerous. Any of these conditions could result in electric shock or fire. Periodically examine the cord of your appliance, and if its appearance indicates damage or deterioration, unplug it, discontinue use of the appliance, and have the cord replaced with an exact replacement part by an authorized service. Protect the power cord from physical or mechanical abuse, such as being twisted, kinked, pinched, closed in a door, or walked upon. Pay particular attention to plugs, wall outlets, and the point where the cord exits the appliance. Do not move the TV with the power cord plugged in. Do not use a damaged or loose power cord. Be sure do grasp the plug when unplugging the power cord. Do not pull on the power cord to unplug the TV.



- **Warning** - To reduce the risk of fire or electrical shock, do not expose this product to rain, moisture or other liquids. Do not touch the TV with wet hands. Do not install this product near flammable objects such as gasoline or candles, or expose the TV to direct air conditioning.

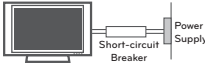


- Do not expose to dripping or splashing and do not place objects filled with liquids, such as vases, cups, etc. on or over the apparatus (e.g. on shelves above the unit).



• **Grounding**

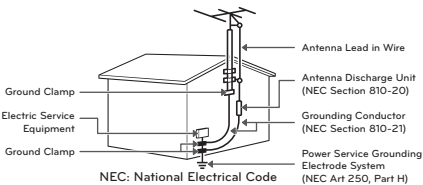
(Except for devices which are not grounded.) Ensure that you connect the earth ground wire to prevent possible electric shock (i.e. a TV with a three-prong grounded AC plug must be connected to a three-prong grounded AC outlet). If grounding methods are not possible, have a qualified electrician install a separate circuit breaker. Do not try to ground the unit by connecting it to telephone wires, lightening rods, or gas pipes.



- As long as this unit is connected to the AC wall outlet, it is not disconnected from the AC power source even if the unit is turned off.
- Do not attempt to modify this product in any way without written authorization from LG Electronics. Unauthorized modification could void the user's authority to operate this product.
- **Outdoor Antenna Grounding** (Can differ by country):

If an outdoor antenna is installed, follow the precautions below. An outdoor antenna system should not be located in the vicinity of overhead power lines or other electric light or power circuits, or where it can come in contact with such power lines or circuits as death or serious injury can occur. Be sure the antenna system is grounded so as to provide some protection against voltage surges and built-up static charges. Section 810 of the National Electrical Code (NEC) in the U.S.A. provides information with respect to proper grounding of the mast and supporting structure, grounding of the lead-in wire to an antenna discharge unit, size of grounding conductors, location of antenna discharge unit, connection to grounding electrodes and requirements for the grounding electrode.

**Antenna grounding according to the National Electrical Code, ANSI/NFPA 70**



• **Cleaning**

When cleaning, unplug the power cord and wipe gently with a soft cloth to prevent scratching. Do not spray water or other liquids directly on the TV as electric shock may occur. Do not clean with chemicals such as alcohol, thinners, or benzene.

• **Moving**

Make sure the product is turned off, unplugged, and all cables have been removed. It may take 2 or more people to carry larger TVs. Do not press or put stress on the front panel of the TV.

• **Ventilation**

Install your TV where there is proper ventilation. Do not install in a confined space such as a bookcase. Do not cover the product with cloth or other materials while plugged. Do not install in excessively dusty places.

- If you smell smoke or other odors coming from the TV, unplug the power cord and contact an authorized service center.
- Keep the product away from direct sunlight.
- Never touch this apparatus or antenna during a lightning storm.
- Do not allow an impact shock, any objects to fall into the product, and do not drop anything onto the screen.
- **Disconnecting the Main Power**  
The power outlet used with this device must remain easily accessible.
- Store the accessories (battery, etc.) in a safe location out of the reach of children.
- This apparatus uses batteries. In your community there might be regulations that require you to dispose of these batteries properly due to environmental considerations. Please contact your local authorities for disposal or recycling information.
- Do not dispose of batteries in a fire.
- Do not short circuit, disassemble, or allow the batteries to overheat.

- **Dot Defect**

The panel is a high technology product with resolution of two million to six million pixels. In a very few cases, you could see fine dots on the screen while you're viewing the TV. Those dots are deactivated pixels and do not affect the performance and reliability of the TV.

- **Generated Sound**

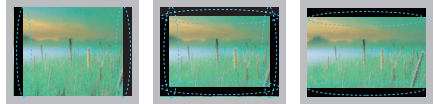
**Cracking noise:** A cracking noise that occurs when watching or turning off the TV is generated by plastic thermal contraction due to temperature and humidity. This noise is common for products where thermal deformation is required.

**Electrical circuit humming/panel buzzing:** A low level noise is generated from a high-speed switching circuit, which supplies a large amount of current to operate a product. It varies depending upon the product.

This generated sound does not affect the performance and reliability of the product.

- Take care not to touch the ventilation openings. When watching the TV for a long period, the ventilation openings may become hot. This does not affect the performance of the product or cause defects in the product.
- If the TV feels cold to the touch, there may be a small flicker when it is turned on. This is normal, there is nothing wrong with TV. Some minute dot defects may be visible on the screen, appearing as tiny red, green, or blue spots. However, they have no adverse effect on the TV's performance. Avoid touching the LCD screen or holding your finger(s) against it for long periods of time. Doing so may produce some temporary distortion effects on the screen.

### Preventing image burn or burn-in on your TV screen



- If a fixed image displays on the TV screen for a long period of time, it will be imprinted and become a permanent disfigurement on the screen. This is image burn or burn-in and not covered by the warranty.
- If the aspect ratio of the TV is set to 4:3 for a long period of time, image burn may occur on the letterboxed area of the screen.
- Avoid displaying a fixed image on the TV screen for a long period of time (2 or more hours for LCD, 1 or more hours for the Plasma TV) to prevent image burn.

## LICENSES

Supported licenses may differ by model. For more information about licenses, visit [www.lg.com](http://www.lg.com).



Manufactured under license from Dolby Laboratories. "Dolby" and the double-D symbol are trademarks of Dolby Laboratories.



The terms HDMI and HDMI High-Definition Multimedia Interface, and the HDMI logo are trademarks or registered trademarks of HDMI Licensing LLC in the United States and other countries.



**ABOUT DIVX VIDEO:** DivX<sup>®</sup> is a digital video format created by DivX, LLC, a subsidiary of Rovi Corporation. This is an official DivX Certified<sup>®</sup> device that plays DivX video. Visit [divx.com](http://divx.com) for more information and software tools to convert your files into DivX video.

**ABOUT DIVX VIDEO-ON-DEMAND:** This DivX Certified<sup>®</sup> device must be registered in order to play purchased DivX Video-on-Demand (VOD) movies. To obtain your registration code, locate the DivX VOD section in your device setup menu. Go to [vod.divx.com](http://vod.divx.com) for more information on how to complete your registration.

"DivX Certified<sup>®</sup> to play DivX<sup>®</sup> video up to HD 1080p, including premium content."

"DivX<sup>®</sup>, DivX Certified<sup>®</sup> and associated logos are trademarks of Rovi Corporation or its subsidiaries and are used under license."

"Covered by one or more of the following U.S. patents: 7,295,673; 7,460,668; 7,515,710; 7,519,274"

## OPEN SOURCE SOFTWARE NOTICE

To obtain the source code under GPL, LGPL, MPL and other open source licenses, that is contained in this product, please visit <http://opensource.lge.com>.

In addition to the source code, all referred license terms, warranty disclaimers and copyright notices are available for download.

LG Electronics will also provide open source code to you on CD-ROM for a charge covering the cost of performing such distribution (such as the cost of media, shipping and handling) upon email request to [opensource@lge.com](mailto:opensource@lge.com). This offer is valid for three (3) years from the date on which you purchased the product.

# TABLE OF CONTENTS

## 2 IMPORTANT SAFETY INSTRUCTIONS

---

## 6 LICENSES

---

## 6 OPEN SOURCE SOFTWARE NOTICE

---

## 7 TABLE OF CONTENTS

---

## 8 INSTALLATION PROCEDURE

---

## 8 ASSEMBLING AND PREPARING

---

- 8 Unpacking
- 10 Parts and buttons
- 11 Lifting and moving the TV
- 12 Setting up the TV
  - Attaching the stand
  - Mounting on a table
- 14 - Tidying cables

## 17 MAKING CONNECTIONS

---

- 17 Connecting to an antenna or cable
- 18 Connecting to a HD receiver, DVD player, or VCR
  - HDMI connection
- 19 - Connecting to a mobile phone
- 20 - Component connection
- 21 - Composite connection
- 22 Connecting a PC
  - HDMI connection
- 23 Connecting a USB device

## 24 REMOTE CONTROL

---

## 26 WATCHING TV

---

- 26 Turning the TV on for the first time

## 27 USING THE USER GUIDE

---

## 28 SPECIFICATIONS

---

## 30 MAINTENANCE

---

- 30 Cleaning your TV
  - Screen, frame, cabinet, and stand
  - Power cord

## 30 TROUBLESHOOTING

---

## 31 EXTERNAL CONTROL DEVICE SETUP

---

### NOTE

- Image shown may differ from your TV.
- Your TV's OSD (On Screen Display) may differ slightly from that shown in this manual.
- The available menus and options may differ from the input source or product model that you are using.
- New features may be added to this TV in the future.

## INSTALLATION PROCEDURE

- 1 Open the package and make sure all the accessories are included.
- 2 Attach the stand to the TV set.
- 3 Connect an external device to the TV set.

## ASSEMBLING AND PREPARING

### Unpacking

Check your product box for the following items. If there are any missing accessories, contact the local dealer where you purchased your product. The illustrations in this manual may differ from the actual product and item.



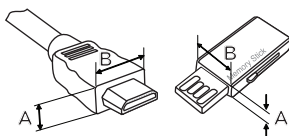
#### CAUTION

- Do not use any unapproved items to ensure the safety and product life span.
- Any damages or injuries by using unapproved items are not covered by the warranty.
- Some models appear to have a thin film on the screen. It is actually part of the screen; do not remove it.



#### NOTE

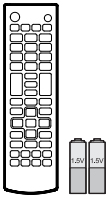
- The items supplied with your product may vary depending on the model.
- Product specifications or contents of this manual may be changed without prior notice due to upgrade of product functions.
- For an optimal connection, HDMI cables and USB devices should have bezels less than 10 mm thick and 18 mm width.
- Use an extension cable that supports USB 2.0 if the USB cable or USB memory stick does not fit into your TV's USB port.



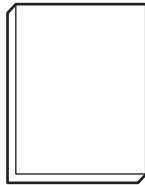
\*A ≤ 10 mm

\*B ≤ 18 mm





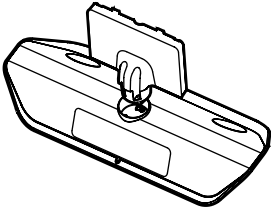
Remote Control, Batteries (AAA)  
(See page. 24)



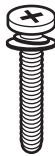
Owner's Manual



Power Cord



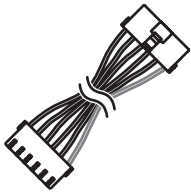
Stand Body, Stand Base  
(See page. 12)



Stand Screws  
3 EA, M5 x 35  
(See page. 12)



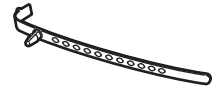
Stand Screws  
4 EA, M4 x 14  
(See page. 13)



Speaker Cable  
(See page. 13)



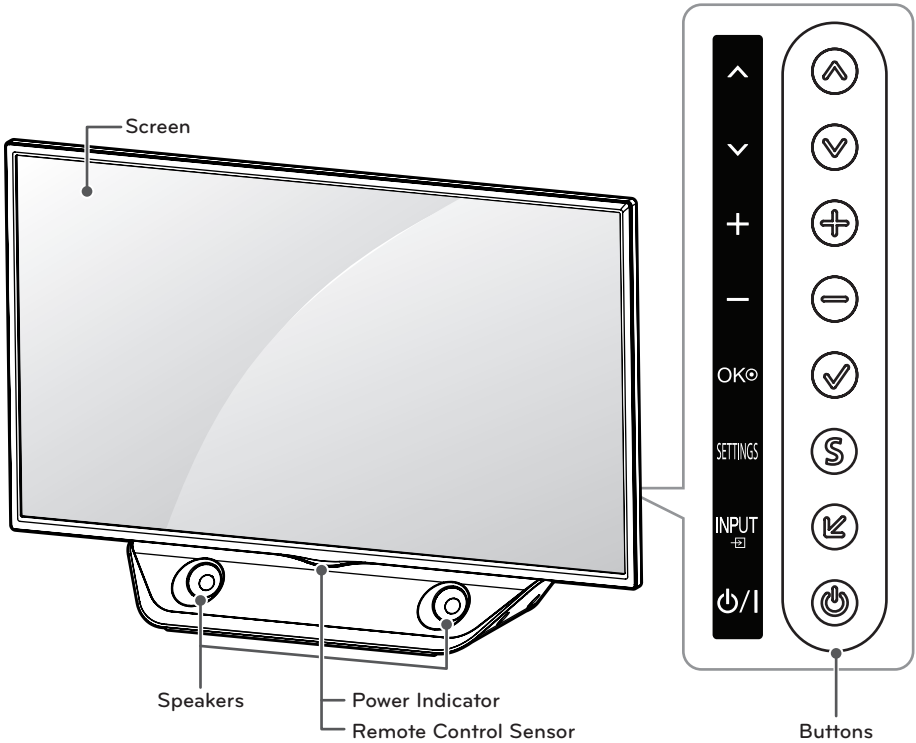
Desk-mount Screw  
(See page. 14)



Cable Holder  
(See page. 16)

## Parts and buttons

ENGLISH



Button	Description
▲ / ▼ (▲ / ▼)	Scrolls through the saved channels.
+ / - (+ / -)	Adjusts the volume level.
✓ (OK)	Selects the highlighted menu option or confirms an input.
S (SETTINGS)	Accesses the main menus, or saves your input and exits the menus.
↶ (INPUT)	Changes the input source.
⏻ (power on/off)	Turns the power on or off.

### ⚠ CAUTION

- Do not push or touch the speakers with your hands or a sharp object, such as pencil, pen or nail.
  - Otherwise, the speakers may be damaged, resulting in malfunction.
  - Children may be frightened by the vibration of the speakers.

## Lifting and moving the TV

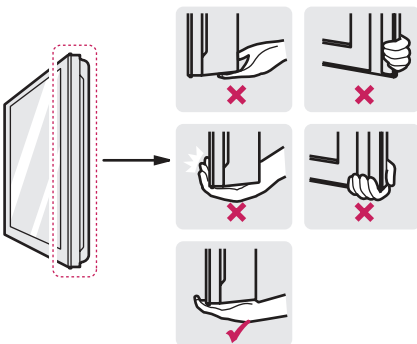
When moving or lifting the TV, read the following to prevent the TV from being scratched or damaged and for safe transportation regardless of its type and size.

### CAUTION

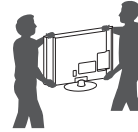
- Avoid touching the screen at all times, as this may result in damage to the screen.
- Do not place the product on the floor with its front facing down. Failure to do so may result in damage to the screen.
- It is recommended to move the TV in the box or packing material that the TV originally came in.
- Before moving or lifting the TV, disconnect the power cord and all cables.
- When holding the TV, the screen should face away from you to avoid damage.



- Hold the top and bottom of the TV frame firmly. Make sure not to hold the transparent part, speaker, or speaker grill area.



- Use at least two people to move a large TV.
- When transporting the TV by hand, hold the TV as shown in the following illustration.



- When transporting the TV, do not expose the TV to jolts or excessive vibration.
- When transporting the TV, keep the TV upright; never turn the TV on its side or tilt towards the left or right.

## Setting up the TV

Attach your TV to the stand to place the TV on an entertainment center or other furniture. (You can not mount TV to a wall.)

### Attaching the stand

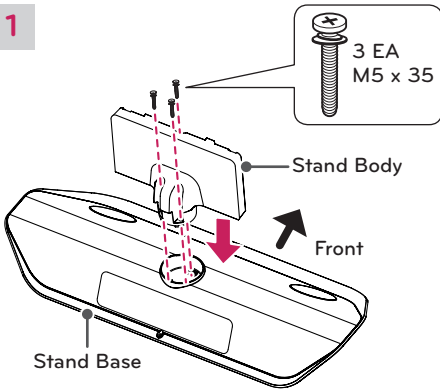
Use the following instructions to attach the stand.

**CAUTION**

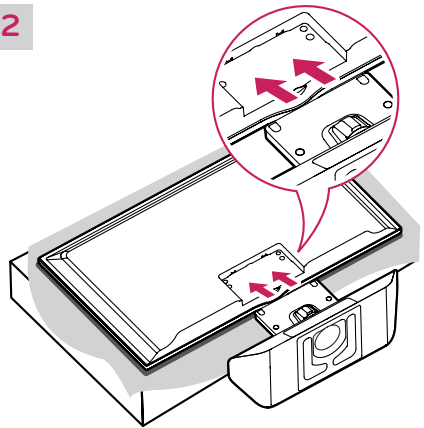
- When attaching the stand to the TV set, place the screen facing down on a cushioned table or flat surface to protect the screen from scratches.
- Make sure that the screws are fastened tightly. (If they are not fastened securely enough, the TV may tilt forward after being installed.)
- Do not tighten the screws with too much force; otherwise they may be damaged and come loose later.

ENGLISH

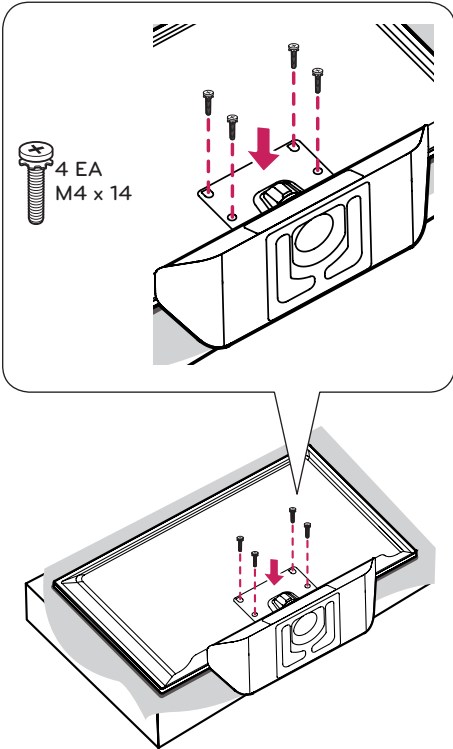
1



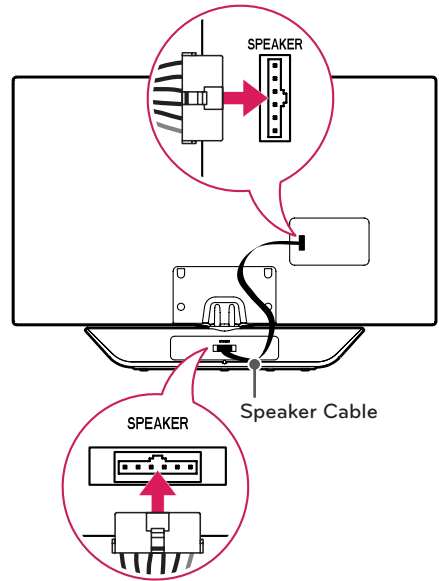
2



3

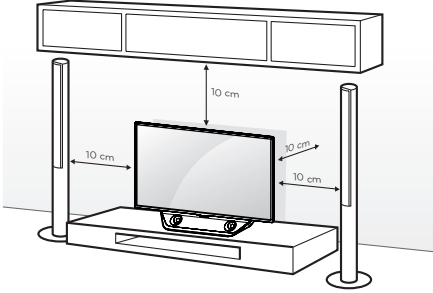


4



### Mounting on a table

- 1 Lift and tilt the TV into its upright position on a table.
  - Leave a 10 cm (minimum) space from the wall for proper ventilation.



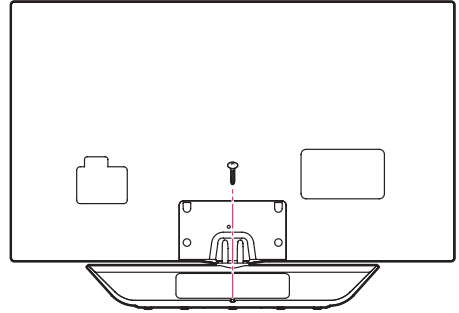
- 2 Connect the power cord to a wall outlet.

**CAUTION**

- Do not place the TV near or on sources of heat, as this may result in fire or other damage.

### Securing the TV to a table

Attach the TV to a table to prevent from tilting forward, damage, and potential injury. Mount the TV on a table, and then insert and tighten the supplied screw on the rear of the stand.



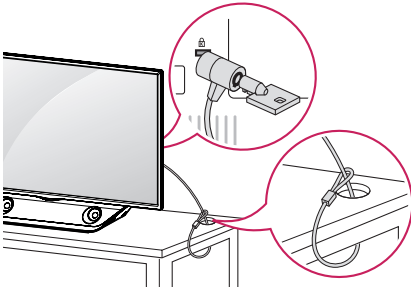
**WARNING**

- To prevent TV from falling over, the TV should be securely attached to the floor/wall per installation instructions. Tipping, shaking, or rocking the TV may cause injury.

### Using the Kensington security system (optional)

The Kensington security system connector is located at the rear of the TV.  
For more information of installation and using, refer to the manual provided with the Kensington security system or visit <http://www.kensington.com>.

Connect the Kensington security system cable between the TV and a table.

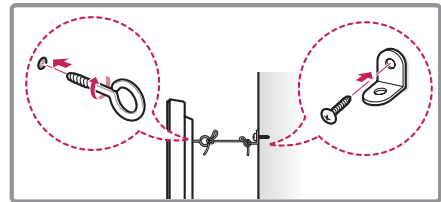
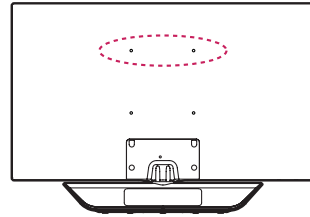


#### ! NOTE

- The Kensington security system is optional. You can obtain additional accessories from your local dealer.

### Securing the TV to a wall (optional)

(Depending on model)



- 1 Insert and tighten the eye-bolts, or TV brackets and bolts on the back of the TV.  
- If there are bolts inserted at the eye-bolts position, remove the bolts first.
- 2 Mount the wall brackets with the bolts to the wall.  
Match the location of the wall bracket and the eye-bolts on the rear of the TV.
- 3 Connect the eye-bolts and wall brackets tightly with a sturdy rope or cable.  
Make sure to keep the rope parallel to the flat surface.

#### ! CAUTION

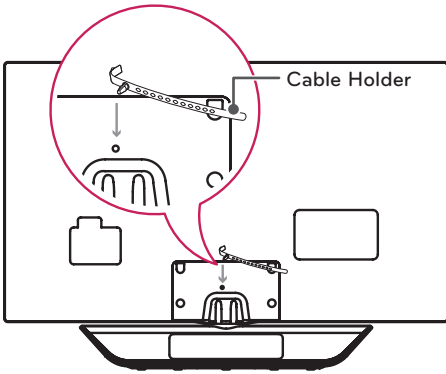
- Make sure that children do not climb on or hang on the TV.

#### ! NOTE

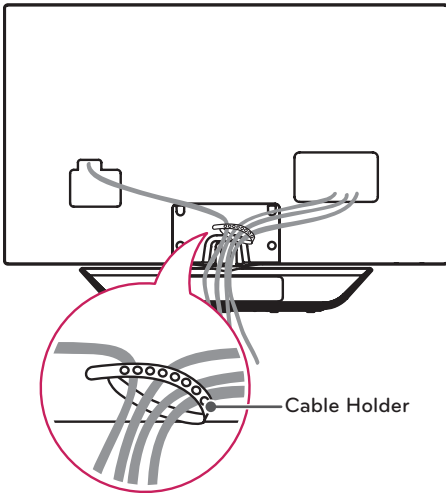
- Use a platform or cabinet that is strong and large enough to support the TV securely.
- Brackets, bolts and ropes, are optional. You can obtain additional accessories from your local dealer.

### Tidying cables

1 Install the cable holder as shown.



2 Gather and bind the cables with the cable holder.



ENGLISH

**CAUTION**

- Do not move the TV by holding the cable holder, as the cable holders may break, and injuries and damage to the TV may occur.



## MAKING CONNECTIONS

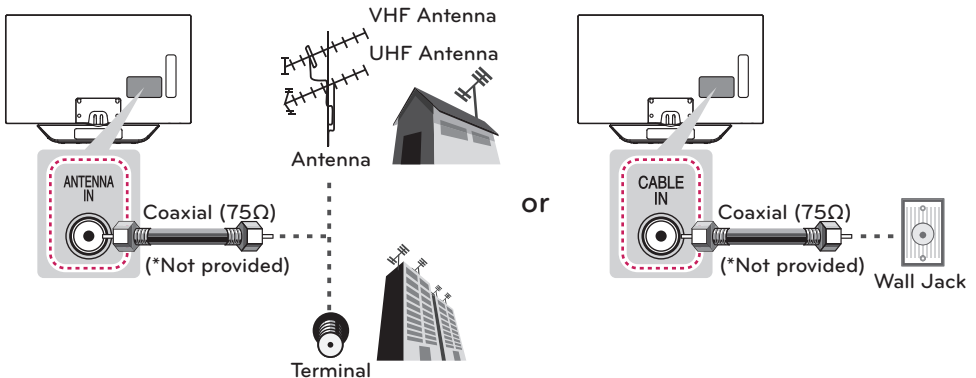
You can connect various external devices to the TV. Supported external devices are: HD receivers, DVD players, VCRs, audio systems, USB storage devices, PC, gaming devices, and other external devices. For more information on external device's connection, refer to the manual provided with each device.

### ! NOTE

- If you record a TV program on a DVD recorder or VCR, make sure to connect the TV signal input cable to the TV through a DVD recorder or VCR. For more information about recording, refer to the manual provided with the connected device.
- The external device connections shown may differ slightly from illustrations in this manual.
- Connect external devices to the TV regardless about the order of the TV port.
- If you connect a gaming device to the TV, use the cable supplied with the gaming device.
- Refer to the external equipment's manual for operating instructions.

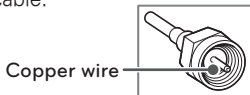
## Connecting to an antenna or cable

Connect an antenna, cable, or cable box to watch TV while referring to the following. The illustrations may differ from the actual items and an RF cable is optional.



### ! CAUTION

- Make sure not to bend the copper wire of the RF cable.



- Complete all connections between devices, and then connect the power cord to the power outlet to prevent damage to your TV.

### ! NOTE

- To improve the picture quality in a poor signal area, purchase a signal amplifier.
- Use a signal splitter to use more than 2 TVs.
- If the antenna is not installed properly, contact your dealer for assistance.
- DTV Audio Supported Codec: MPEG, AAC, HE-AAC

## Connecting to a HD receiver, DVD player, or VCR

Connect a HD receiver, DVD player, or VCR to the TV and select an appropriate input mode.

### HDMI connection

**HDMI is the best way to connect a device.**

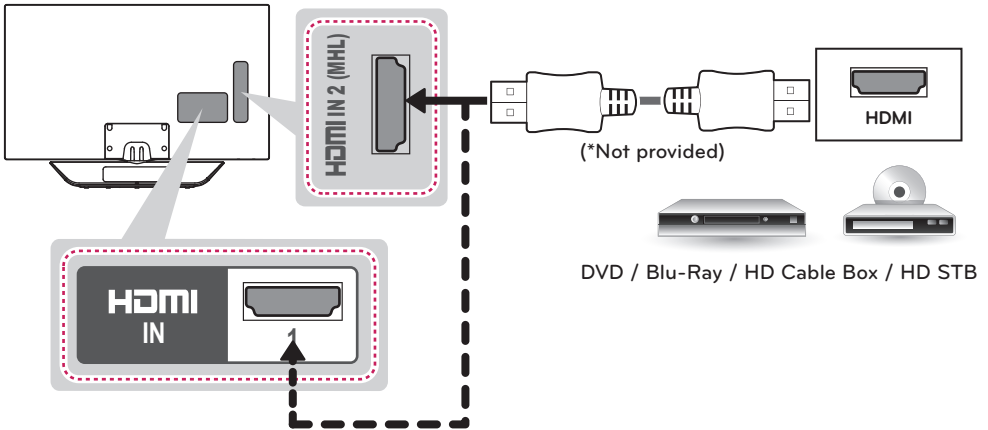
Transmits digital video and audio signals from an external device to the TV. Connect the external device and the TV with the HDMI cable as shown in the following illustration.

**NOTE**

- Use the latest High Speed HDMI™ Cable that supports CEC (Customer Electronics Control) function.
- High Speed HDMI™ Cables are tested to carry an HD signal up to 1080p and higher.
- HDMI Audio Supported Format: Dolby Digital, PCM (Up to 192 kHz, 32 kHz / 44.1 kHz / 48 kHz / 96 kHz / 192 kHz) -> DTS is not supported.

Choose any HDMI input port to connect.  
It does not matter which port you use.

ENGLISH

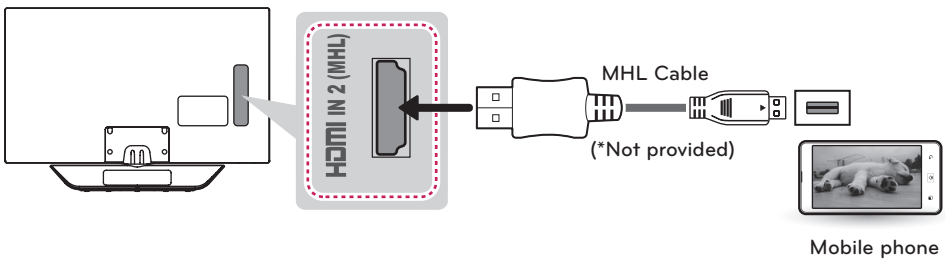


## Connecting to a mobile phone

Mobile High-definition Link (MHL) is an interface for transmitting digital audio/visual signals from mobile phones to television sets.

### ! NOTE

- Connect the mobile phone to the HDMI IN 2 (MHL) port to view the phone screen on the TV.
- This only works with an MHL-enabled phones.
- With some MHL supporting mobile phones, you can use the TV remote to control the phone.
- An MHL supported cable is needed to connect the TV and a mobile phone.
- Remove the MHL cable from the TV when:
  - the MHL function is disabled.
  - your mobile device is fully charged in standby mode.

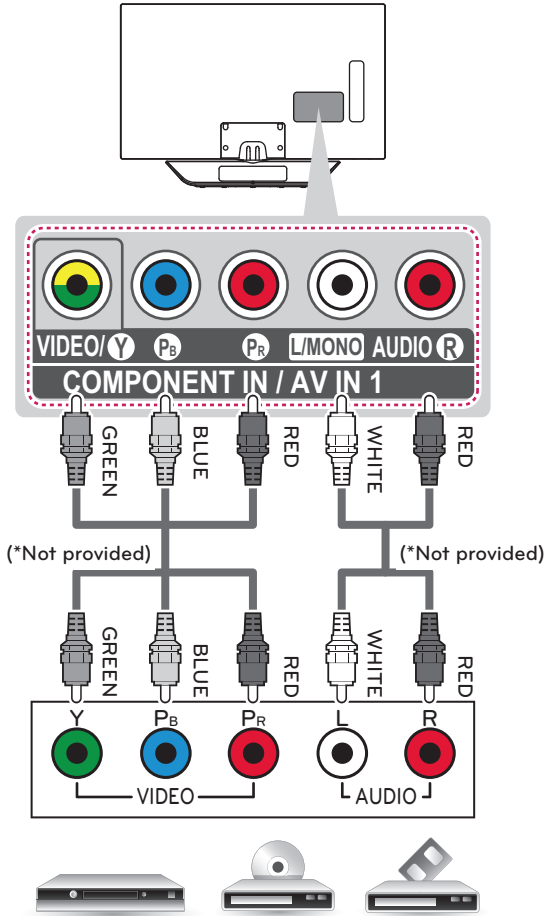


### Component connection

Transmits analog video and audio signals from an external device to the TV. Connect the external device and the TV with a component cable as shown in the following illustration.

**NOTE**

- If cables are installed incorrectly, it could cause the image to display in black and white or with distorted color.
- Check to ensure the cables are matched with the corresponding color connection.



ENGLISH

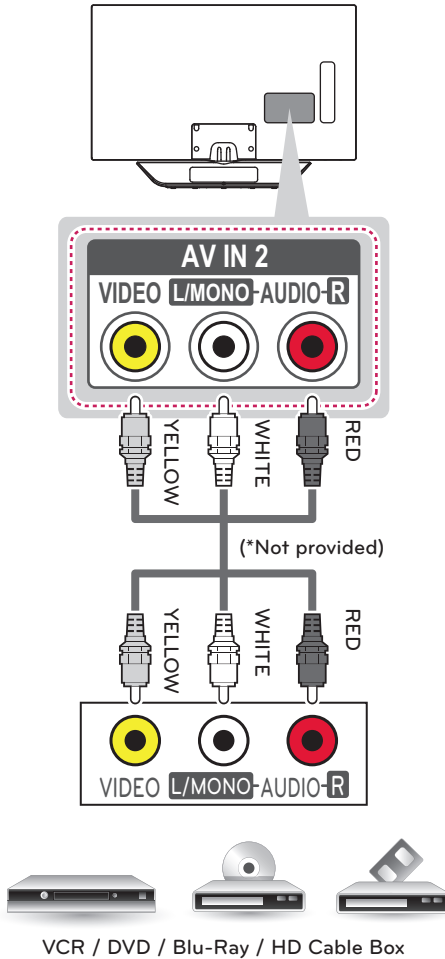
VCR / DVD / Blu-Ray / HD Cable Box

### Composite connection

Transmits analog video and audio signals from an external device to the TV. Connect the external device and the TV with the composite cable as shown in the following illustration.

**! NOTE**

- If you have a mono VCR, connect the audio cable from the VCR to the AUDIO L/MONO jack of the TV.
- Check to ensure the cables are matched with the corresponding color connection.



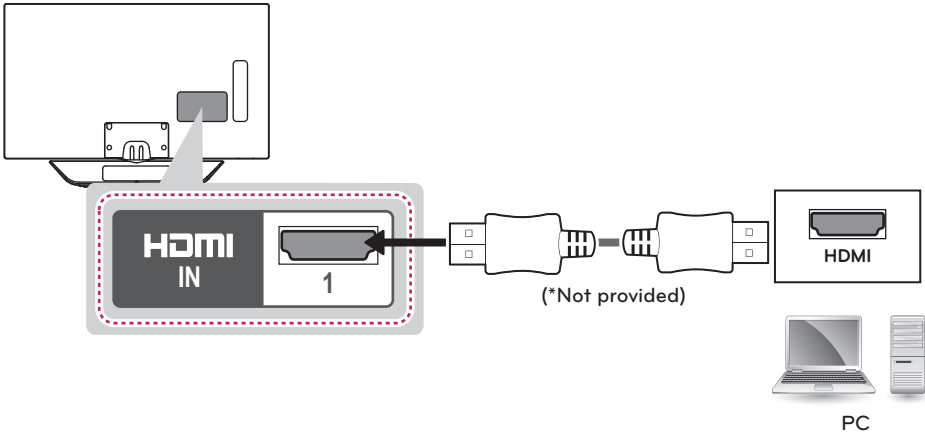
## Connecting a PC

**NOTE**

- Use an HDMI connection for the best image quality.
- Depending upon the graphics card, DOS mode video may not work if a HDMI to DVI Cable is in use.
- In PC mode, there may be noise associated with the resolution, vertical pattern, contrast, or brightness. If noise is present, change the PC output to another resolution, change the refresh rate to another rate or adjust the brightness and contrast on the PICTURE menu until the picture is clear.
- The synchronization input form for horizontal and vertical frequencies is separate.
- Depending on the graphics card, some resolution settings may not allow the image to be positioned on the screen properly.
- If you use DVI to HDMI cable for PC, you have to use external speaker for PC audio sound.

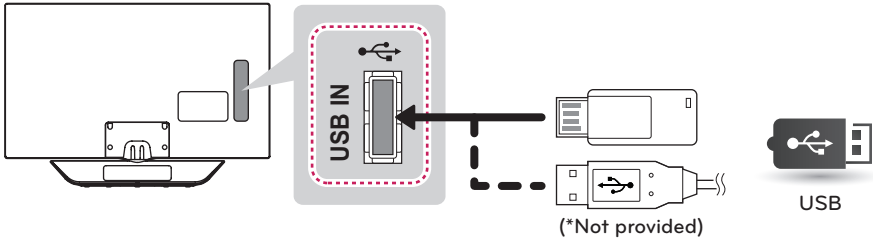
### HDMI connection

ENGLISH

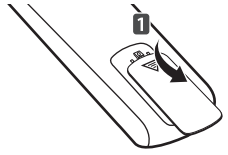


## Connecting a USB device

Connect a USB storage device such as a USB flash memory, external hard drive, or a USB memory card reader to the TV.



# REMOTE CONTROL



The descriptions in this manual are based on the buttons on the remote control. Please read this manual carefully and use the TV correctly. To install batteries, open the battery cover, replace batteries (1.5 V AAA) matching the  $\oplus$  and  $\ominus$  ends to the label inside the compartment, and close the battery cover. Failure to match the correct polarities of the battery may cause the battery to burst or leak, resulting in fire, personal injury, or ambient pollution. To remove the batteries, perform the installation actions in reverse.

**CAUTION**

- Do not mix old and new batteries, as this may damage the remote control.

This remote uses infrared light. When in use, it should be pointed in the direction of the TV's remote sensor.

ENGLISH

**(POWER)**  
Turns the TV on or off.

**TV/RAD** **/**   
Toggles between Radio, TV, CATV, and DTV.

**SUBTITLE**  
Activates your preferred subtitle in digital mode.

**AV MODE**  
Selects an AV mode.

**RATIO**   
Resizes an image.

**INPUT**   
Changes the input source. Turns the TV on if it is off.

**Number button**  
Enters numbers.

**LIST**  
Accesses the saved channel list.

**Q.VIEW**  
Alternates between the two last channels selected (pressing repeatedly).

**+ VOL -**  
Adjusts the volume level.

**FAV**  
Accesses your favorite channel list.

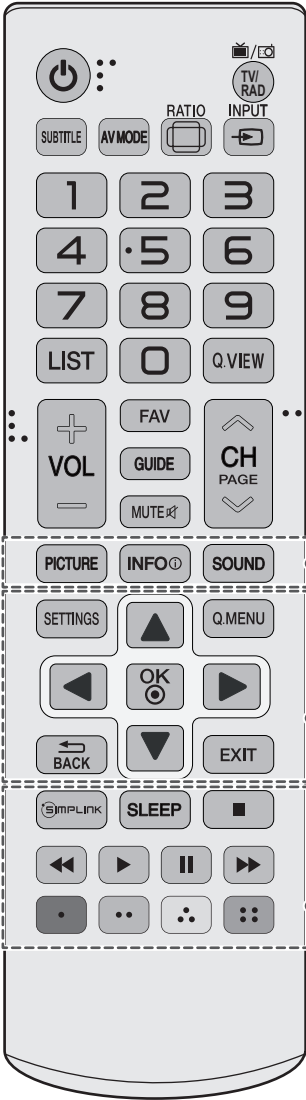
**GUIDE**  
Displays the program event according to time scheduler.

**MUTE**   
Mutes all sounds.

**^ CH ^**  
Scrolls through the saved channels.

**^ PAGE ^**  
Moves to the previous or next screen.





- PICTURE**  
Changes the image mode.
- INFO** ⓘ  
Shows information on the current program.
- SOUND**  
Changes the sound mode.
- SETTINGS**  
Accesses the main menu.
- Q.MENU**  
Accesses the quick menu.
- Navigation buttons** (up/down/left/right)  
Scrolls through menus or options.
- OK** ⓘ  
Selects menus or options and confirms your input.
- ← BACK**  
Returns to the previous screen.
- EXIT**  
Clears all on-screen displays and returns to TV viewing.
- SIMPLINK**  
Accesses the AV devices connected to the TV;  
Opens the SIMPLINK menu.
- SLEEP**  
Sets the length of time until the TV to turns off.
- Control buttons** (■, ▶, ||, ◀◀, ▶▶)  
Controls the SIMPLINK compatible devices (USB, SIMPLINK).
- Color buttons**  
These access special functions in some menus.  
(●): Red, (●): Green, (●): Yellow, (●): Blue

## WATCHING TV

### Turning the TV on for the first time

When you turn the TV on for the first time, the initial setting screen appears. Select a language and customize the basic settings.

- 1 Connect the power cord to a power outlet.
- 2 In standby mode, press the power button on the remote control to turn the TV on.  
The initial setting screen appears when you turn the TV on for the first time.

#### NOTE

- You can also access **Factory Reset** by accessing **OPTION** in the main menu.

- 3 Follow the on-screen instructions to customize your TV settings according to your preferences.

Language	Selects a language to display.
↓	
Mode Setting	Selects <b>Home Use</b> for the home environment.
↓	
Power Indicator	Sets the standby light.
↓	
Auto Tuning	Scans and saves available channels automatically.

#### NOTE

- To display images in the best quality for your home environment, select **Home Use**.
- **Store Demo** is suitable for the retail environment.
- If you select **Store Demo**, any customized settings will switch back to the default settings of **Store Demo** in 5 minutes.

- 4 When the basic settings are complete, press the **OK** button.

#### NOTE

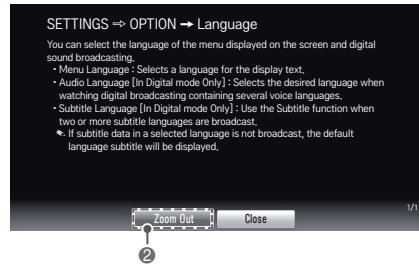
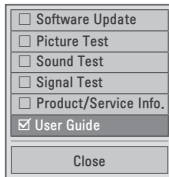
- If you do not complete the initial setting, it will appear whenever the TV turns on.
- Disconnect the power cord from the power outlet when you do not use the TV for a long period of time.

- 5 To turn the TV off, press the power button on the remote control.

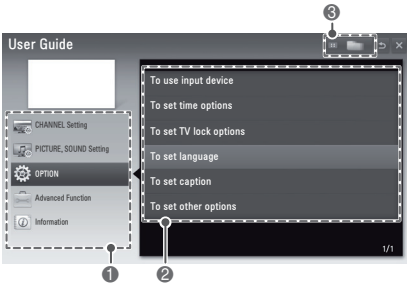
# USING THE USER GUIDE

User Guide allows you to easily access detailed TV information.

- 1 Press **SETTINGS** to access the main menus.
- 2 Press the **RED** button to access the **Customer Support** menu.
- 3 Press the Navigation buttons to scroll to **User Guide** and press **OK**.



- 1 Shows the description of the selected menu. You can use  $\wedge / \vee$  to move between pages.
- 2 Zooms in or out the screen.



- 1 Guide categories.
- 2 List of topics in the current category. You can use  $\wedge / \vee$  button to move between pages.
- 3 An index of key words present in the User Guide.

## SPECIFICATIONS

Product specifications may be changed without prior notice due to upgrade of product functions.

<b>Power requirement</b>	AC 100 - 240 V ~ 50 / 60 Hz	
<b>Television System</b>	NTSC-M, PAL-M/N, DVB-T	
<b>Program Coverage</b>	VHF 2-13, UHF 14-69, CATV 1-125, DTV 14-69	
<b>External Antenna Impedance</b>	75 Ω	
<b>Environment condition</b>	Operating Temperature	0 °C ~ 40 °C
	Operating Humidity	Less than 80 %
	Storage Temperature	-20 °C ~ 60 °C
	Storage Humidity	Less than 85 %

MODELS		<b>42LN5390 (42LN5390-DN)</b>	<b>47LN5390 (47LN5390-DN)</b>
Dimensions (W x H x D)	With stand	968 x 670.5 x 251.8 (mm)	1080 x 733.6 x 251.8 (mm)
	Without stand	968 x 579 x 79 (mm)	1080 x 642 x 80.5 (mm)
Weight	With stand	12.6 kg	16.1 kg
	Without stand	9.3 kg	12.8 kg
Current Value / Power consumption		1.6 A / 110 W	1.3 A / 130 W

## HDMI (PC) supported mode

Resolution	Horizontal Frequency (kHz)	Vertical Frequency (Hz)
640 x 350	31.468	70.09
720 x 400	31.469	70.08
640 x 480	31.469	59.94
800 x 600	37.879	60.31
1024 x 768	48.363	60.00
1152 x 864	54.348	60.053
1360 x 768	47.712	60.015
1280 x 1024	63.981	60.02
1920 x 1080	67.50	60.00

## HDMI (DTV) supported mode

Resolution	Horizontal Frequency (kHz)	Vertical Frequency (Hz)
720 x 480p	31.469	59.94
	31.50	60.00
720 x 576p	31.25	50.00
1280 x 720p	37.50	50.00
	44.96	59.94
	45.00	60.00
1920 x 1080i	28.125	50.00
	33.72	59.94
	33.75	60.00
1920 x 1080p	26.97	23.976
	27.00	24.00
	33.71	29.97
	33.75	30.00
	56.25	50.00
	67.432	59.94
	67.50	60.00

## Component port connecting information

Component ports on the TV	Y	P <sub>B</sub>	P <sub>R</sub>
Video output ports on DVD player	Y	P <sub>B</sub>	P <sub>R</sub>
	Y	B-Y	R-Y
	Y	Cb	Cr
	Y	Pb	Pr

## Component supported mode

Resolution	Horizontal Frequency (kHz)	Vertical Frequency (Hz)
720 x 480i	15.73	59.94
	15.73	60.00
720 x 480p	31.47	59.94
	31.50	60.00
720 x 576i	15.625	50.00
720 x 576p	31.25	50.00
1280 x 720p	37.50	50.00
	44.96	59.94
	45.00	60.00
1920 x 1080i	28.125	50.00
	33.72	59.94
	33.75	60.00
1920 x 1080p	26.97	23.976
	27.00	24.00
	33.71	29.97
	33.75	30.00
	56.25	50.00
	67.432	59.939
	67.50	60.00

## MAINTENANCE

### Cleaning your TV

Clean your TV regularly to keep it at peak performance and to extend the product lifespan.



#### CAUTION

- Before cleaning, turn the power off and disconnect the power cord and all other cables.
- When the TV is left unattended or unused for a long time, disconnect the power cord from the wall outlet to prevent possible damage from lightning or power surges.

### Screen, frame, cabinet, and stand

To remove dust or light dirt, wipe the surface with a dry, clean, and soft cloth.

To remove major dirt, wipe the surface with a soft cloth dampened in clean water or a diluted mild detergent. Then wipe immediately with a dry cloth.



#### CAUTION

- Do not push, rub, or hit the surface with your fingernail or a sharp object, as this may result in scratches on the screen and image distortions.
- Do not use any chemicals, such as waxes, benzene, alcohol, thinners, insecticides, air fresheners, or lubricants, as these may damage the screen's finish and cause discoloration.
- Do not spray liquid onto the surface. If water enters the TV, it may result in fire, electric shock, or malfunction.

### Power cord

Remove the accumulated dust or dirt on the power cord regularly.

## TROUBLESHOOTING

Problem	Solution
Cannot control the TV with the remote control.	<ul style="list-style-type: none"> <li>• Check the remote control sensor on the product and try again.</li> <li>• Check if there is any obstacle between the product and the remote control.</li> <li>• Check if the batteries are still working and properly installed (⊕ to ⊕, ⊖ to ⊖).</li> </ul>
No image display and no sound is produced.	<ul style="list-style-type: none"> <li>• Check if the product is turned on.</li> <li>• Check if the power cord is connected to a wall outlet.</li> <li>• Check if there is a problem in the wall outlet by connecting other products.</li> </ul>
The TV turns off suddenly.	<ul style="list-style-type: none"> <li>• Check the power control settings. The power supply may be interrupted.</li> <li>• Check if the Auto sleep feature is activated in the Time settings.</li> <li>• If there is no signal while the TV is on, the TV will turn off automatically after 15 minutes of inactivity.</li> </ul>

## EXTERNAL CONTROL DEVICE SETUP

To obtain the external control device setup information, please visit [www.lg.com](http://www.lg.com).



The model and serial numbers of the TV are located on the back and one side of the TV. Record them below should you ever need service.

MODEL \_\_\_\_\_

SERIAL \_\_\_\_\_





OWNER'S MANUAL

# EXTERNAL CONTROL DEVICE SETUP

Please read this manual carefully before operating the set and retain it for future reference.

# KEY CODES

- This feature is not available for all models.

Code (Hexa)	Function	Note	Code (Hexa)	Function	Note
00	CH +, PR +	R/C Button	45	Q.Menu	R/C Button
01	CH -, PR -	R/C Button	4C	List, - (ATSC Only)	R/C Button
02	Volume +	R/C Button	53	List	R/C Button
03	Volume -	R/C Button	5B	Exit	R/C Button
06	> (Arrow Key / Right Key)	R/C Button	61	Blue	R/C Button
07	< (Arrow Key / Left Key)	R/C Button	63	Yellow	R/C Button
08	Power	R/C Button	71	Green	R/C Button
09	Mute	R/C Button	72	Red	R/C Button
0B	Input	R/C Button	79	Ratio / Aspect Ratio	R/C Button
0E	SLEEP	R/C Button	91	AD (Audio Description)	R/C Button
0F	TV, TV/RAD	R/C Button	7A	User Guide	R/C Button
10 - 19	Number Key 0 - 9	R/C Button	7C	Smart / Home	R/C Button
1A	Q.View / Flashback	R/C Button	7E	SIMPLINK	R/C Button
1E	FAV (Favorite Channel)	R/C Button	8E	▶▶ (Forward)	R/C Button
20	Text (Teletext)	R/C Button	8F	◀◀ (Rewind)	R/C Button
21	T. Opt (Teletext Option)	R/C Button	AA	Info	R/C Button
28	Return (BACK)	R/C Button	AB	Program Guide	R/C Button
30	AV (Audio / Video) Mode	R/C Button	B0	▶ (Play)	R/C Button
39	Caption/Subtitle	R/C Button	B1	■ (Stop / Live TV)	R/C Button
40	∧ (Arrow Key / Cursor Up)	R/C Button	BA	(Freeze / Slow Play / Pause)	R/C Button
41	V (Arrow Key / Cursor Down)	R/C Button	BD	● (REC)	R/C Button
42	My Apps	R/C Button	DC	3D	R/C Button
43	Menu / Settings	R/C Button	9F	App / *	R/C Button
44	OK / Enter	R/C Button			

- \* Key code 4C (0x4C) is available on ATSC/ISDB models which use major/minor channel. (For South Korea, Japan, North America, Latin America except Colombia models)

# EXTERNAL CONTROL DEVICE SETUP

- Image shown may differ from your TV.

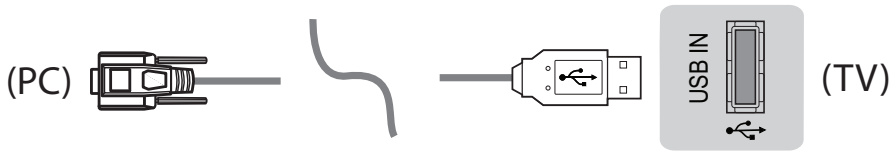
Connect the USB to Serial converter/RS-232C input jack to an external control device (such as a computer or an A/V control system) to control the product's functions externally.

Note: The type of control port on the TV can be different between model series.

- \* Please be advised that not all models support this type of connectivity.
- \* Cable is not provided.

## USB to Serial converter with USB Cable

USB Type

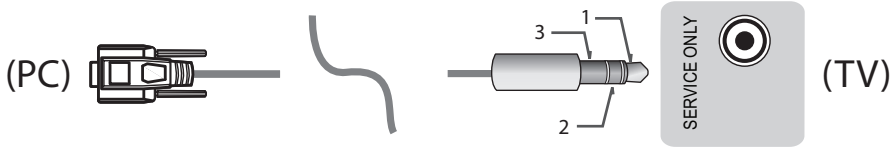


- LGTV supports PL2303 chip-based (Vendor ID : 0x0557, Product ID : 0x2008) USB to serial converter which is not made nor provided by LG.
- It can be purchased from computer stores that carry accessories for IT support professionals.

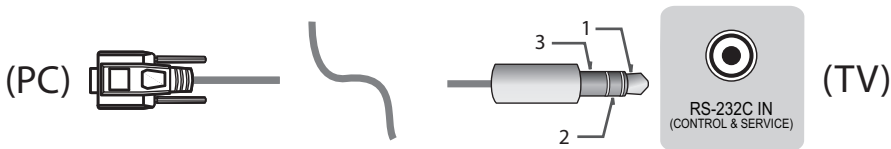
## RS-232C with RS-232C Cable (Legacy)

Phone jack Type

- You need to purchase the phone-jack to RS-232 cable required for the connection between the PC and the TV, which is specified in the manual.
- For other models, connect to the USB port.

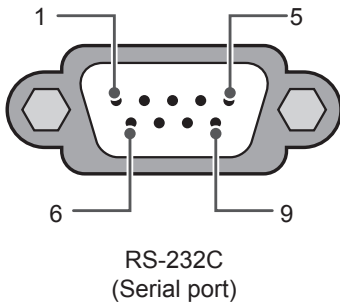


- This connection can only be used for the following models: 55/47/39LN5450-UA, 55/50/47/42LN5400-UA, 42/39/32LN5300-UA, and 37/32LN530B-UA.



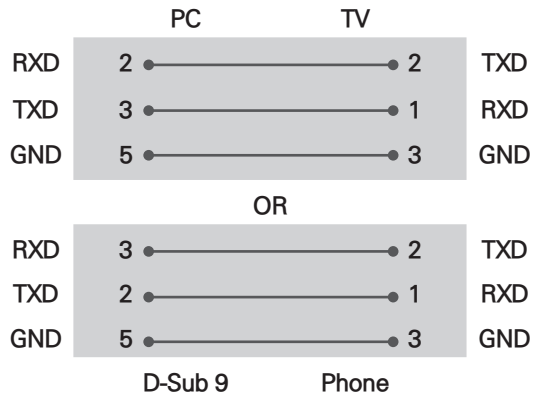
- This connection can only be used for the following models: 42/50PN4500-UA, 50/60PN5300-UF, 50/60PN6500-UA, and 60PN6550-UA.

### Customer Computer



### RS-232C configurations

3-Wire Configurations(Not standard)



#### Set ID

For Set ID number, see "Real Data Mapping" on p.6

- Press **SETTINGS** to access the main menus.
- Press the Navigation buttons to scroll to **OPTION** and press **OK**.
- Press the Navigation buttons to scroll to **SET ID** and press **OK**.
- Scroll left or right to select a set ID number and select **CLOSE**. The adjustment range is 1-99.
- When you are finished, press **EXIT**.

## Communication Parameters

- Baud rate : 9600 bps (UART)
- Data length : 8 bits
- Parity : None
- Stop bit : 1 bit
- Communication code : ASCII code
- Use a crossed (reverse) cable.

## Command reference list

(Depending on model)

	COMMAND1	COMMAND2	DATA (Hexadecimal)		COMMAND1	COMMAND2	DATA (Hexadecimal)
01. Power off	k	a	00	13. Balance	k	t	00 to 64
02. Aspect Ratio	k	c	(p.7)	14. Color (Colour) Temperature	x	u	00 to 64
03. Screen Mute	k	d	(p.7)	15. ISM Method (Only Plasma TV)	j	p	(p.8)
04. Volume Mute	k	e	00 to 01	16. Energy Saving	j	q	00 to 05
05. Volume Control	k	f	00 to 64	17. Tune Command	m	a	(p.8)
06. Contrast	k	g	00 to 64	18. Channel (Programme) Add/Del(Skip)	m	b	00 to 01
07. Brightness	k	h	00 to 64	19. Key	m	c	Key Codes
08. Color/ Colour	k	i	00 to 64	20. Control Back Light, Control Panel Light	m	g	00 to 64
09. Tint	k	j	00 to 64	21. Input select (Main)	x	b	(p.10)
10. Sharpness	k	k	00 to 32	22. 3D (Only 3D models)	x	t	(p.11)
11. OSD Select	k	l	00 to 01	23. Extended 3D (Only 3D models)	x	v	(p.11)
12. Remote Control Lock Mode	k	m	00 to 01				

\* Note: During USB operations such as DivX or EMF, all commands except Power(ka) and Key(mc) are not executed and treated as NG.

## Transmission / Receiving Protocol

### Transmission

[Command1][Command2][ ][Set ID][ ][Data][Cr]

[Command 1] : First command to control the TV. (j, k, m or x)

[Command 2] : Second command to control the TV.

[Set ID] : You can adjust the [Set ID] to choose desired monitor ID number in option menu.

Adjustment range in TV is 1 to 99. If [Set ID] value is selected to '0', every connected set can be controlled.

\* [Set ID] is indicated as decimal (1 to 99) on menu and as Hexadecimal (0x00 to 0x63) on transmission/receiving protocol.

[DATA] : To transmit command data (hexadecimal). Transmit 'FF' data to read status of command.

[Cr] : Carriage Return - ASCII code '0x0D'

[ ] : Space – ASCII code '0x20'

### OK Acknowledgement

[Command2][ ][Set ID][ ][OK][Data][x]

\* The set transmits ACK (acknowledgement) based on this format when receiving normal data. At this time, if the data is data read mode, it indicates present status data. If the data is data write mode, it returns the data of the PC computer.

### Error Acknowledgement

[Command2][ ][Set ID][ ][NG][Data][x]

\* The set transmits ACK (acknowledgement) based on this format when receiving abnormal data from non-viable functions or communication errors.

Data 00: Illegal Code

### Real data mapping (Hexadecimal → Decimal)

\* When you enter the [data] in hexadecimal, refer to following conversion table.

\* Channel Tune (ma) Command uses two-byte hexadecimal value([data]) to select channel number.

00 : Step 0	32 : Step 50 (Set ID 50)	FE : Step 254
01 : Step 1 (Set ID 1)	33 : Step 51 (Set ID 51)	FF : Step 255
...	...	...
0A : Step 10 (Set ID 10)	63 : Step 99 (Set ID 99)	01 00 : Step 256
...	...	...
0F : Step 15 (Set ID 15)	C7 : Step 199	27 0E : Step 9998
10 : Step 16 (Set ID 16)	C8 : Step 200	27 0F : Step 9999
...	...	...

\* Commands may work differently depending on model and signal.

### 01. Power (Command: k a)

- ▶ To control Power Off of the set.

Transmission [k][a][ ][Set ID][ ][Data][Cr]

Data 00 : Power Off

Ack [a][ ][Set ID][ ][OK/NG][Data][x]

- ▶ To Show Power On. (Works TV is On Only)

Transmission [k][a][ ][Set ID][ ][FF][Cr]

Ack [a][ ][Set ID][ ][OK][01][x]

\* Similarly, if other functions transmit 'FF' data based on this format, Acknowledgement feedback presents status about each function.

### 02. Aspect Ratio (Command: k c) (Main Picture Size)

- ▶ To adjust the screen format. (Main picture format)  
You can also adjust the screen format using the Aspect Ratio in the Q.MENU. or PICTURE menu.

Transmission [k][c][ ][Set ID][ ][Data][Cr]

Data 01 : Normal screen (4:3)	07 : 14:9 (Europe, Colombia, Mid-East,
02 : Wide screen (16:9)	Asia except South Korea and Japan)
04 : Zoom	09 : * Just Scan
05 : Zoom 2	0B : Full Wide
(Latin America except Colombia Only)	(Europe, Colombia, Mid- East, Asia except South Korea and Japan)
06 : Set by Program/ Original	10 to 1F : Cinema Zoom 1 to 16

Ack [c][ ][Set ID][ ][OK/NG][Data][x]

- \* Using the PC input, you select either 16:9 or 4:3 screen aspect ratio.
- \* In DTV/HDMI/Component mode (high-definition), Just Scan is available.
- \* Full wide mode may work differently based on model and is supported for DTV fully, and ATV, AV partially.

### 03. Screen Mute (Command: k d)

- ▶ To select screen mute on/off.

Transmission [k][d][ ][Set ID][ ][Data][Cr]

Data 00 : Screen mute off (Picture on)  
Video mute off  
01 : Screen mute on (Picture off)  
10 : Video mute on

Ack [d][ ][Set ID][ ][OK/NG][Data][x]

\* In case of video mute on only, TV will display On Screen Display(OSD). But, in case of Screen mute on, TV will not display OSD.

### 04. Volume Mute (Command: k e)

- ▶ To control volume mute on/off.  
You can also adjust mute using the MUTE button on remote control.

Transmission [k][e][ ][Set ID][ ][Data][Cr]

Data 00 : Volume mute on (Volume off)  
01 : Volume mute off (Volume on)

Ack [e][ ][Set ID][ ][OK/NG][Data][x]

### 05. Volume Control (Command: k f)

- ▶ To adjust volume.  
You can also adjust volume with the volume buttons on remote control.

Transmission [k][f][ ][Set ID][ ][Data][Cr]

Data Min : 00 to Max : 64

Ack [f][ ][Set ID][ ][OK/NG][Data][x]

### 06. Contrast (Command: k g)

- ▶ To adjust screen contrast.  
You can also adjust contrast in the PICTURE menu.

Transmission [k][g][ ][Set ID][ ][Data][Cr]

Data Min : 00 to Max : 64

Ack [g][ ][Set ID][ ][OK/NG][Data][x]

### 07. Brightness (Command: k h)

- ▶ To adjust screen brightness.  
You can also adjust brightness in the PICTURE menu.

Transmission [k][h][ ][Set ID][ ][Data][Cr]

Data Min : 00 to Max : 64

Ack [h][ ][Set ID][ ][OK/NG][Data][x]

### 08. Color/Colour (Command: k i)

- ▶ To adjust the screen Color(Colour).  
You can also adjust colour in the PICTURE menu.

Transmission [k][i][ ][Set ID][ ][Data][Cr]

Data Min : 00 to Max : 64

Ack [i][ ][Set ID][ ][OK/NG][Data][x]

## 09. Tint (Command: k j)

- ▶ To adjust the screen tint.  
You can also adjust tint in the PICTURE menu.

Transmission [k][j][ ][Set ID][ ][Data][Cr]

Data Red : 00 to Green : 64

Ack [j][ ][Set ID][ ][OK/NG][Data][x]

## 10. Sharpness (Command: k k)

- ▶ To adjust the screen sharpness.  
You can also adjust sharpness in the PICTURE menu.

Transmission [k][k][ ][Set ID][ ][Data][Cr]

Data Min : 00 to Max : 32

Ack [k][ ][Set ID][ ][OK/NG][Data][x]

## 11. OSD Select (Command: k l)

- ▶ To select OSD (On Screen Display) on/off when controlling remotely.

Transmission [k][l][ ][Set ID][ ][Data][Cr]

Data 01 : OSD off            01 : OSD on

Ack [l][ ][Set ID][ ][OK/NG][Data][x]

## 12. Remote control lock mode (Command: k m)

- ▶ To lock the front panel controls on the monitor and remote control.

Transmission [k][m][ ][Set ID][ ][Data][Cr]

Data 01 : Lock off            01 : Lock on

Ack [m][ ][Set ID][ ][OK/NG][Data][x]

- \* If you are not using the remote control, use this mode.  
When main power is off & on (plug-off and plug-in, after 20 - 30 seconds), external control lock is released.
- \* In the standby mode (DC off by off timer or 'ka', 'mc' command), and if key lock is on, TV will not turn on by power on key of IR & Local Key.

## 13. Balance (Command: k t)

- ▶ To adjust balance.  
You can also adjust balance in the AUDIO menu.

Transmission [k][t][ ][Set ID][ ][Data][Cr]

Data Min : 00 to Max : 64

Ack [t][ ][Set ID][ ][OK/NG][Data][x]

## 14. Color(Colour) Temperature (Command: x u)

- ▶ To adjust colour temperature. You can also adjust Color(Colour) Temperature in the PICTURE menu.

Transmission [x][u][ ][Set ID][ ][Data][Cr]

Data Min : 00 to Max : 64

Ack [u][ ][Set ID][ ][OK/NG][Data][x]

## 15. ISM Method (Command: j p) (Only Plasma TV)

- ▶ To control the ISM method. You can also adjust ISM Method in OPTION menu.

Transmission [j][p][ ][Set ID][ ][Data][Cr]

Data Min : 02: Orbiter

08: Normal

20: Color(Colour) Wash

Ack [p][ ][Set ID][ ][OK/NG][Data][x]

## 16. Energy Saving (Command: j q)

- ▶ To reduce the power consumption of the TV. You can also adjust Energy Saving in PICTURE menu.

Transmission [j][q][ ][Set ID][ ][Data][Cr]

Data

00 : Off

01 : Minimum

02 : Medium

03 : Maximum

04 : Auto

05 : Screen off

- \* (Depending on model)

Ack [q][ ][Set ID][ ][OK/NG][Data][x]

## 17. Tune Command (Command: m a)

- \* This command may work differently depending on model and signal.
- For Europe, Mid-East, Colombia, Asia except South Korea and Japan, Model
- ▶ Select channel to following physical number.

Transmission [m][a][ ][Set ID][ ][Data 00][ ][Data 01][ ][Data 02][Cr]

- \* Analogue Terrestrial/Cable

[Data 00][Data 01] Channel Data

Data 00 : High byte channel data

Data 01 : Low byte channel data  
- 00 00 ~ 00 C7 (Decimal : 0 ~ 199)

Data 02 : Input Source (Analogue)

- 00 : Terrestrial TV (ATV)

- 80 : Cable TV (CATV)



## \* Digital Terrestrial/Cable/Satellite

[Data 00][Data 01]: Channel Data

Data 00 : High Channel data

Data 01 : Low Channel data

- 00 00 ~ 27 0F (Decimal: 0 ~ 9999)

Data 02 : Input Source (Digital)

- 10 : Terrestrial TV (DTV)

- 20 : Terrestrial Radio (Radio)

- 40 : Satellite TV (SDTV)

- 50 : Satellite Radio (S-Radio)

- 90 : Cable TV (CADTV)

- a0 : Cable Radio (CA-Radio)

## \* Tune Command Examples:

## 1. Tune to the analogue terrestrial (PAL) Channel 10.

Set ID = All = 00

Data 00 &amp; 01 = Channel Data is 10 = 00 0a

Data 02 = Analogue Terrestrial TV = 00

Result = **ma 00 00 0a 00**

## 2. Tune to the digital terrestrial (DVB-T) Channel 01.

Set ID = All = 00

Data 00 &amp; 01 = Channel Data is 1 = 00 01

Data 02 = Digital Terrestrial TV = 10

Result = **ma 00 00 01 10**

## 3. Tune to the satellite (DVB-S) Channel 1000.

Set ID = All = 00

Data 00 &amp; 01 = Channel Data is 1000 = 03 E8

Data 02 = Digital Satellite TV = 40

Result = **ma 00 03 E8 40**

Ack [a][ ][Set ID][ ][OK][Data 00][Data 01]

[Data 02][x][a][ ][Set ID][ ][NG][Data 00][x]

- For South Korea, North/Latin America except Colombia Model

- ▶ To tune channel to following physical/major/minor number.

Transmission [m][a][ ][0][ ][Data00][ ][Data01]

[ ][Data02][ ][Data03][ ][Data04][ ][Data05][Cr]

Digital channels have a Physical, Major, and Minor channel number. The Physical number is the actual digital channel number, the Major is the number that the channel should be mapped to, and the Minor is the sub-channel. Since the ATSC tuner automatically maps the channel from the Major / Minor number, the Physical number is not required when sending a command in Digital.

## \* Analogue Terrestrial/Cable

Data 00 : Physical Channel Number

- Terrestrial (ATV) : 02~45 (Decimal: 2 ~ 69)

- Cable (CATV) : 01, 0E~7D (Decimal : 1, 14~125)

[Data 01 ~ 04]: Major/Minor Channel Number

Data 01 &amp; 02: xx (Don't care)

Data 03 &amp; 04: xx (Don't care)

Data 05: Input Source (Analogue)

- 00 : Terrestrial TV (ATV)

- 01 : Cable TV (CATV)

## \* Digital Terrestrial/Cable

Data 00 : xx (Don't care)

[Data 01][Data 02]: Major Channel Number

Data 01 : High byte Channel Data

Data 02 : Low byte Channel Data

- 00 01 ~ 27 0F (Decimal: 1 ~ 9999)

[Data 03][Data 04]: Minor Channel Number

Data 03 : High byte Channel Data

Data 04 : Low byte Channel Data

Data 05 : Input Source (Digital)

- 02 : Terrestrial TV (DTV) – Use Physical Channel Number

- 06 : Cable TV (CADTV) – Use Physical Channel Number

- 22 : Terrestrial TV (DTV) – Don't Use Physical Channel Number

- 26 : Cable TV (CADTV) - Don't Use Physical Channel Number

- 46 : Cable TV (CADTV) – Use Major Channel Number Only (One Part Channel)

Two bytes are available for each major and minor channel data, but usually the low byte is used alone (high byte is 0).

## \* Tune Command Examples:

## 1. Tune to the analogue cable (NTSC) channel 35.

Set ID = All = 00

Data 00 = Channel Data is 35 = 23

Data 01 &amp; 02 = No Major = 00 00

Data 03 &amp; 04 = No Minor = 00 00

Data 05 = Analogue Cable TV = 01

Total = **ma 00 23 00 00 00 01**

## 2. Tune to the digital terrestrial (ATSC) channel 30-3.

Set ID = All = 00

Data 00 = Don't know Physical = 00

Data 01 &amp; 02 = Major is 30 = 00 1E

Data 03 &amp; 04 = Minor is 3 = 00 03

Data 05 = Digital Terrestrial TV = 22

Total = **ma 00 00 00 1E 00 03 22**

Ack [a][ ][Set ID][ ][OK][Data 00][Data 01]

[Data 02][Data 03][Data 04][Data 05]

[x][a][ ][Set ID][ ][NG][Data 00][x]

- For Japan Model

- ▶ To tune channel to following physical/major/minor number.

Transmission [m][a][ ][0][ ][Data00][ ][Data01]

[ ][Data02][ ][Data03][ ][Data04][ ][Data05][Cr]

## \* Digital Terrestrial/Satellite

Data 00: xx (Don't care)

[Data 01][Data 02]: Major Channel Number  
 Data 01: High byte Channel Data  
 Data 02: Low byte Channel Data  
 - 00 01 ~ 27 0F (Decimal: 1 ~ 9999)

[Data 03][Data 04]: Minor/Branch Channel Number  
 (Don't care in Satellite)  
 Data 03: High byte Channel Data  
 Data 04: Low byte Channel Data

Data 05 : Input Source (Digital/Satellite for Japan)  
 - 02 : Terrestrial TV (DTV)  
 - 07 : BS (Broadcasting Satellite)  
 - 08 : CS1 (Communication Satellite 1)  
 - 09 : CS2 (Communication Satellite 2)

\* Tune Command Examples:

1. Tune to the digital terrestrial (ISDB-T) channel 17-1.  
 Set ID = All = 00  
 Data 00 = Don't know Physical = 00  
 Data 01 & 02 = Major is 17 = 00 11  
 Data 03 & 04 = Minor/Branch is 1 = 00 01  
 Data 05 = Digital Terrestrial TV = 02  
 Total = **ma 00 00 00 11 00 01 02**

2. Tune to the BS (ISDB-BS) channel 30.  
 Set ID = All = 00  
 Data 00 = Don't know Physical = 00  
 Data 01 & 02 = Major is 30 = 00 1E  
 Data 03 & 04 = Don't Care = 00 00  
 Data 05 = Digital BS TV = 07  
 Total = **ma 00 00 00 1E 00 00 07**

\* This feature is varied based on the model.

Ack [a][ ][Set ID][ ][OK][Data 00][Data 01]  
 [Data 02][Data 03][Data 04][Data 05]  
 [x][a][ ][Set ID][ ][NG][Data 00][x]

18. Channel(Programme) Add/Del(Skip)  
 (Command: m b)

► To skip current channel(programme) for next time.

Transmission [m][b][ ][Set ID][ ][Data][Cr]

Data 00 : Del(ATSC,ISDB)/Skip(DVB)    01 : Add

Ack [b][ ][Set ID][ ][OK/NG][Data][x]

\* Set the saved channel status to del(ATSC, ISDB)/  
 skip(DVB) or add.

19. Key (Command: m c)

► To send IR remote key code.

Transmission [m][c][ ][Set ID][ ][Data][Cr]

Data Key code - p.2.

Ack [c][ ][Set ID][ ][OK/NG][Data][x]

20. Control Back Light (Command: m g)

- For LCD TV / LED TV
- To control the back light.

Transmission [m][g][ ][Set ID][ ][Data][Cr]

Data Min : 00 to Max : 64

Ack [g][ ][Set ID][ ][OK/NG][Data][x]

Control Panel Light (Command: m g)

- For Plasma TV
- To control the panel light.

Transmission [m][g][ ][Set ID][ ][Data][Cr]

Data Min : 00 to Max : 64

Ack [g][ ][Set ID][ ][OK/NG][Data][x]

21. Input select (Command: x b)  
 (Main Picture Input)

► To select input source for main picture.

Transmission [x][b][ ][Set ID][ ][Data][Cr]

Data

00 : DTV	01 : CADTV
02 : Satellite DTV	10 : ATV
ISDB-BS (Japan)	
03 : ISDB-CS1 (Japan)	
04 : ISDB-CS2 (Japan)	
11 : CATV	

20 : AV or AV1                      21 : AV2

40 : Component1                  41 : Component2

90 : HDMI1                          91 : HDMI2  
 92 : HDMI3                          93 : HDMI4

Ack [b][ ][Set ID][ ][OK/NG][Data][x]

\* This function depends on model and signal.

## 22. 3D(Command: x t) (only 3D models) (Depending on model)

- ▶ To change 3D mode for TV.

```
Transmission [x][t][ ][Set ID][ ][Data 00][ ][Data 01]
[ ][Data 02][ ][Data 03][Cr]
```

### Data Structure

[Data 00] 00 : 3D On  
01 : 3D Off  
02 : 3D to 2D  
03 : 2D to 3D

[Data 01] 00 : Top and Bottom  
01 : Side by Side  
02 : Check Board  
03 : Frame Sequential  
04 : Column interleaving  
05 : Row interleaving

[Data 02] 00 : Right to Left  
01 : Left to Right

[Data 03] 3D Effect(3D Depth): Min : 00 - Max : 14  
(\*transmit by Hexadecimal code)

- \* If [Data 00] is 00 (3D On), [Data 03] has no meaning.
- \* If [Data 00] is 01 (3D off) or 02 (3D to 2D), [Data 01], [Data 02] and [Data 03] have no meaning.
- \* If [Data 00] is 03(2D to 3D), [Data 01] and [Data 02] have no meaning.
- \* All 3D pattern options ([Data 01]) may not be available according to broadcasting/video signal.

[Data 00]	[Data 01]	[Data 02]	[Data 03]
00	O	O	X
01	X	X	X
02	X	X	X
03	X	X	O

X : don't care

```
Ack [t][ ][Set ID][ ][OK][Data00][Data01][Data02]
[Data03][x]
[t][ ][Set ID][ ][NG][Data00][x]
```

## 23. Extended 3D(Command: x v) (only 3D models) (Depending on model)

- ▶ To change 3D option for TV.

```
Transmission [x][v][ ][Set ID][ ][Data 00][ ]
[Data 01][Cr]
```

[Data 00] 3D option  
00 : 3D Picture Correction  
01 : 3D Depth (3D Mode is Manual Only)  
02 : 3D Viewpoint  
06 : 3D Color Correction  
07 : 3D Sound Zooming  
08 : Normal Image View  
09 : 3D Mode (Genre)

[Data 01] It has own range for each 3D option determined by [Data 00].

- 1) When [Data 00] is 00  
00 : Right to Left  
01 : Left to Right
- 2) When [Data 00] is 01, 02  
Data Min: 0 - Max: 14 (\*transmit by Hexadecimal code)  
Data value range(0 - 20) converts Viewpoint range (-10 - +10) automatically (Depending on model)
- 3) When [Data 00] is 06, 07, 08  
00 : Off  
01 : On
- 4) When [Data 00] is 09  
00 : Standard                      01 : Sport  
02 : Cinema                        03 : Extreme  
04 : Manual

```
Ack [v][ ][Set ID][ ][OK][Data00][Data01][x]
[v][ ][Set ID][ ][NG][Data00][x]
```





# MANUAL DEL USUARIO

# TELEVISOR LED\*

\* Los televisores con LED de LG tienen pantallas LCD con luces de fondo LED.

Lea atentamente este manual antes de poner en marcha el equipo y consérvelo para futuras consultas.

42LN5390  
47LN5390

# INSTRUCCIONES DE SEGURIDAD IMPORTANTES


Siga siempre estas instrucciones para evitar situaciones peligrosas y garantizar el rendimiento máximo del producto.




**ADVERTENCIA/  
PRECAUCIÓN**  
RIESGO DE CHOQUE  
ELECTRICO NO ABRIR



PARA REDUCIR EL RIESGO DE DESCARGAS ELÉCTRICAS, NO quite la cubierta (o la parte posterior). EL USUARIO NO PUEDE CAMBIAR NI REPARAR LOS COMPONENTES INTERNOS. CONSULTE ÚNICAMENTE AL PERSONAL DE SERVICIO CALIFICADO.

 El símbolo de relámpago con una punta de flecha, dentro de un triángulo equilátero, tiene como fin alertar al usuario sobre la presencia en el producto de "voltaje peligroso" sin aislar que puede tener la potencia suficiente para presentar riesgo de descargas eléctricas a los usuarios.

 El signo de admiración dentro de un triángulo equilátero tiene el fin de alertar al usuario sobre la presencia de instrucciones importantes de funcionamiento y de mantenimiento (servicio) en el folleto que acompaña al equipo.

## ADVERTENCIA/PRECAUCIÓN

- PARA REDUCIR EL RIESGO DE INCENDIOS O DESCARGAS ELÉCTRICAS, NO EXPONGA EL PRODUCTO A LA LLUVIA O LA HUMEDAD.

### ADVERTENCIA

Si ignora el mensaje de advertencia, puede sufrir lesiones graves, accidentes o la muerte.

### PRECAUCIÓN

Si ignora el mensaje de precaución, puede sufrir heridas leves o provocar daños en el producto.

### NOTA

La nota le ayuda a comprender y a utilizar el producto de forma segura. Lea la nota cuidadosamente antes de utilizar el producto.

Lea estas instrucciones.  
Conserve estas instrucciones.  
Preste atención a las advertencias.  
Siga todas las instrucciones.



- No use el aparato cerca del agua.



- Limpie únicamente con un paño seco.



- No tape ni bloquee las aberturas de ventilación. Realice la instalación siguiendo las instrucciones del fabricante.



- No instale el producto cerca de fuentes de calor como radiadores, rejillas de calefacción central, estufas u otro tipo de aparatos que emitan calor (incluidos los amplificadores).



- No anule el propósito de seguridad del enchufe polarizado o del enchufe a tierra. Un enchufe polarizado tiene dos clavijas, una más ancha que la otra. Un enchufe a tierra tiene dos clavijas y un tercer terminal de puesta a tierra. La clavija ancha o el terminal de puesta a tierra se proveen para proteger al usuario. Si el enchufe del equipo no entra en la toma, consulte a un electricista para cambiar el tomacorriente (puede variar según el país).



- No ejerza demasiada presión sobre el panel con la mano ni con objetos punzantes, como un clavo, una lapicera o un lápiz, ni raye la superficie.



- Asegúrese de que el cable de alimentación esté protegido para evitar que lo pisen o aplasten, especialmente en los enchufes, los tomacorrientes o el punto de salida desde el aparato.



- Use únicamente los accesorios recomendados por el fabricante.



- Use el producto únicamente en mesas portátiles, pies, trípodes, soportes o mesas indicados por el fabricante o provistos con el aparato. Al emplear una mesa portátil, tenga cuidado al moverla con el aparato encima, para evitar daños por caídas.



- Desenchufe el aparato durante tormentas eléctricas o si no planea usarlo durante un periodo prolongado.



- Consulte todas las cuestiones de servicio de mantenimiento al personal de servicio calificado. El servicio es necesario cuando el aparato sufre algún tipo de daño, por ejemplo, cuando un cable de suministro eléctrico o un conector está dañado, se derrama líquido o se cae un objeto dentro del aparato, el aparato se expone a la lluvia o a la humedad, no funciona en forma normal o sufre una caída.



- No inserte objetos de metal u otro material conductor en el cable de alimentación. No toque el extremo del cable de alimentación mientras está enchufado.
- Mantenga el material de embalaje contra la humedad y el embalaje de vinilo fuera del alcance de los niños. El material contra la humedad es dañino si se ingiere. Si se ingiere por accidente, obligue a la persona a vomitarlo y acuda al hospital más cercano. Además, el embalaje de vinilo puede provocar asfixia. Manténgalo fuera del alcance de los niños.

- **PRECAUCIÓN** con respecto al cable de alimentación (puede variar según el país): Se recomienda colocar los aparatos en un circuito específico, es decir, un tomacorriente único que alimente solamente al aparato, y que no tenga otros tomacorrientes ni circuitos derivados. Consulte la página de especificaciones en el manual del usuario. No conecte demasiados aparatos a la misma toma de corriente de ca, dado que podría provocar incendios o descargas eléctricas. No sobrecargue los tomacorrientes de la pared. Asegúrese de que los tomacorrientes de la pared no estén sobrecargados, sueltos ni dañados, y que los alargues, los cables de alimentación y el aislamiento de los cables no estén desgastados, ya que estas condiciones son peligrosas. Cualquiera de estos casos podría provocar incendios o descargas eléctricas. Examine regularmente el cable del aparato; si le parece que está dañado o deteriorado, desenchúfelo y no use más ese cable. Llame al personal de servicio técnico autorizado para que lo reemplace por uno exactamente igual. Proteja el cable de alimentación de daños físicos o mecánicos, es decir, que no se tuerza, doble, deforme, que no quede atrapado al cerrar una puerta y que no lo pisen. Preste especial atención a los enchufes, tomacorrientes de la pared y al punto de salida del cable en el aparato. No mueva el televisor con el cable de alimentación enchufado. No use un cable de alimentación que esté suelto o dañado. Al desenchufar el cable, asegúrese de hacerlo desde el enchufe. No tire del cable para desenchufar el televisor.



- **Advertencia** - para disminuir los riesgos de incendio o descargas eléctricas, no exponga el producto a la lluvia, la humedad u otro tipo de líquidos. No toque el televisor con las manos mojadas. No instale el producto cerca de objetos inflamables como combustible o velas, ni lo exponga al aire acondicionado directo.

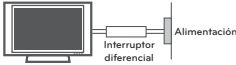


- No exponga el producto a ningún tipo de goteo ni salpicaduras, y no coloque sobre o por encima del televisor (por ejemplo, en estantes que pudieran encontrarse arriba de la unidad) ningún tipo de objeto que contenga líquido, como floreros, tazas, etc.



• **Puesta a tierra**

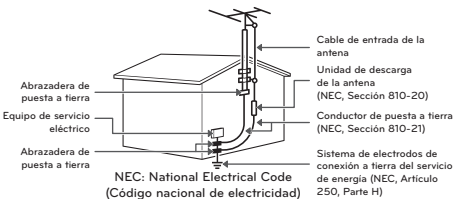
(Excepto dispositivos sin conexión a tierra.) Asegúrese de que el cable de puesta a tierra esté conectado para evitar descargas eléctricas (es decir, un televisor con un enchufe de ca de tres clavijas debe conectarse a un tomacorriente de ca con puesta a tierra de tres clavijas). Si no puede colocarse ninguna puesta a tierra, solicite a un electricista calificado que instale un disyuntor. No intente improvisar una puesta a tierra con conexiones a cables de teléfono, pararrayos o caños de gas.



- Mientras la unidad esté conectada al tomacorriente de ca de la pared, no se desconectará de la fuente de alimentación de ca, aún cuando el aparato esté apagado.
- No intente modificar este producto de ninguna manera sin autorización previa por escrito de LG Electronics. Cualquier tipo de modificación sin autorización previa podría anular la autoridad del usuario para usar el producto.
- **Puesta a tierra con una antena exterior** (puede variar según el país):

Si instala una antena exterior, tome las siguientes precauciones. No se debe instalar el sistema de antena exterior cerca de las líneas aéreas de transmisión de energía, de ningún circuito o luz eléctrica, ni en ningún lugar donde pudiera entrar en contacto con este tipo de cables eléctricos o circuitos, dado que podría provocar daños graves o incluso la muerte. Asegúrese de que el sistema de antena tenga una puesta a tierra para proteger contra sobretensiones y acumulaciones de cargas estáticas. La Sección 810 del Código nacional de electricidad (NEC) de los Estados Unidos establece la forma de realizar una puesta a tierra correcta del mástil, de la estructura de soporte, del cable de bajada a una unidad de descarga de la antena, el tamaño de los conductores de puesta a tierra, la ubicación de la unidad de descarga de la antena, y la conexión y los requisitos de los electrodos de puesta a tierra.

**Puesta a tierra de la antena según el Código nacional de electricidad, ANSI/NFPA 70**



• **Limpieza**

Al efectuar la limpieza, desenchufe el cable de alimentación y limpie suavemente con un paño suave para no rayar la superficie. No rocíe con agua ni otros líquidos directamente sobre el televisor, dado que podría provocar una descarga eléctrica. No limpie con productos químicos como alcohol, diluyentes o bencina.

• **Traslados**

Asegúrese de que el aparato esté apagado, desenchufado y que no quede ningún cable conectado. Es posible que se necesiten dos personas para trasladar los televisores de gran tamaño. No ejerza presión ni empuje el panel frontal del televisor.

• **Ventilación**

Instale el televisor en un lugar bien ventilado. No lo coloque en un lugar cerrado como, por ejemplo, un estante para libros. No cubra el producto con telas ni ningún otro material mientras esté enchufado. No lo instale en lugares con demasiado polvo.

- Si huele humo u otros olores que provienen de la TV, desconecte el cable de alimentación y comuníquese con un centro de servicio autorizado.
- Mantenga el aparato alejado de la luz solar directa.
- Nunca toque el aparato o la antena durante una tormenta eléctrica o con truenos.
- No permita que se golpee el producto o que algún objeto se caiga dentro de él, ni que se golpee la pantalla.
- **Cómo desconectar la fuente de alimentación principal**  
El tomacorriente utilizado con este dispositivo debe ser de fácil acceso.
- Guarde los accesorios (baterías, etc.) en un lugar seguro lejos del alcance de los niños.
- Este aparato usa baterías. Puede ser que en su comunidad existan normativas que requieren que deseche estas baterías de forma correcta debido a las consideraciones ambientales. Póngase en contacto con la autoridad local para obtener información acerca del desecho o reciclaje.
- No desheche las baterías en el fuego.
- No provoque cortes de circuitos, desarme ni permita que las baterías se recalienten



- **Aparición de puntos**

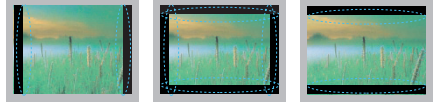
El panel es un producto de alta tecnología con una resolución de entre dos y seis millones de píxeles. En raras ocasiones, es posible que note la presencia de pequeños puntos en la pantalla mientras mira televisión. Estos puntos son píxeles desactivados y no afectan el rendimiento ni la fiabilidad del televisor.

- **Reproducción de ruidos**

“Crujidos”: es posible que se produzcan crujidos cuando esté mirando televisión o al apagar el televisor; se trata de un ruido generado por la contracción térmica del plástico debido a la temperatura y la humedad. Este ruido es común en productos donde se requiere la deformación térmica. Zumbidos en el circuito eléctrico o el panel: se trata de un ruido de bajo nivel, generado por un circuito de conmutación de alta velocidad, que suministra una gran cantidad de corriente para que un producto pueda funcionar. Varía según cada producto. Este ruido no afecta el rendimiento ni la fiabilidad del producto.

- Tenga cuidado de no tocar las aberturas de ventilación. Al mirar televisión durante largos periodos, las aberturas de ventilación pueden calentarse. Esto no afecta el rendimiento ni causa defectos en el producto.
- Si siente que el televisor está frío al tocarlo, es posible que ocurra un pequeño “parpadeo” cuando lo prenda. Se trata de algo normal y no significa que el televisor esté dañado. También es posible que aparezcan pequeños puntos en la pantalla, de color rojo, verde o azul. Sin embargo, no afectan el rendimiento del televisor. No toque la pantalla LCD ni coloque los dedos sobre ella durante mucho tiempo. Esto podría producir algunos efectos de distorsión temporales en la pantalla.

**Cómo evitar el efecto de “degradación de la imagen por sobreexposición” o “quemadura de pantalla” del televisor**



- Si se muestra una imagen fija en la pantalla del televisor durante un período largo, esta quedará impresa y se convertirá en una distorsión permanente de la pantalla. A este desperfecto se lo conoce como “degradación de la imagen por sobreexposición” o “quemadura de pantalla” y no está cubierto por la garantía.
- Si la relación de aspecto del televisor se establece durante mucho tiempo en 4:3, se puede producir una degradación de imagen en las zonas de bandas del formato buzón.
- Evite emitir imágenes fijas en la pantalla del televisor durante períodos prolongados (2 horas o más para LCD, 1 hora o más para TV de plasma) para evitar la degradación de imagen.

## LICENCIAS

Las licencias admitidas pueden variar según el modelo.  
Para obtener más información sobre las licencias, visite '[www.lg.com](http://www.lg.com)'.



Fabricado bajo licencia de Dolby Laboratories.  
"Dolby" y el símbolo de la doble D son marcas comerciales de Dolby Laboratories.



The terms HDMI and HDMI High-Definition Multimedia Interface, and the HDMI logo are trademarks or registered trademarks of HDMI Licensing LLC in the United States and other countries.



ACERCA DE VIDEO DIVX: DivX® es un formato de video digital creado por DivX, LLC, una subsidiaria de Rovi Corporation. Este es un dispositivo oficial con certificación DivX Certified® que reproduce videos DivX. Visite [divx.com](http://divx.com) si desea obtener más información y herramientas de software para convertir los archivos en videos DivX.

ACERCA DE LA FUNCIÓN DE VIDEO A PEDIDO DIVX: Este dispositivo con certificación DivX Certified® debe registrarse para reproducir películas de video a pedido DivX que se hayan adquirido. Para obtener su código de registro, busque la sección DivX VOD en el menú de configuración del dispositivo. Vaya a [vod.divx.com](http://vod.divx.com) para obtener más información sobre cómo realizar el registro.

"DivX Certified® para reproducir videos DivX® hasta HD 1080p, incluido el contenido premium".

"DivX®, DivX Certified® y los logotipos asociados son marcas comerciales de Rovi Corporation o sus subsidiarias y se utilizan bajo licencia".

"Cubierto por una o más de las siguientes patentes de los Estados Unidos: 7,295,673; 7,460,668; 7,515,710; 7,519,274".

## AVISO SOBRE SOFTWARE DE CÓDIGO ABIERTO

Para obtener el código fuente de GPL, LGPL, MPL y otras licencias de fuente abierta, que se incluyen en este producto, visite '<http://opensource.lge.com>'.

Además del código fuente, se pueden descargar todos los términos de licencia, las exenciones de garantías y los derechos de autor mencionados.

Además, LG Electronics le proporcionará el código fuente abierto en CD-ROM por un valor que cubre el coste de realizar dicha distribución (como el coste de los medios, el envío y la manipulación) previa solicitud vía correo electrónico a '[opensource@lge.com](mailto:opensource@lge.com)'. Esta oferta es válida por tres (3) años a partir de la fecha en que compre el producto.

# CONTENIDO

## 2 INSTRUCCIONES DE SEGURIDAD IMPORTANTES

---

## 6 LICENCIAS

---

## 6 AVISO SOBRE SOFTWARE DE CÓDIGO ABIERTO

---

## 7 CONTENIDO

---

## 8 PROCEDIMIENTO DE INSTALACIÓN

---

## 8 MONTAJE Y PREPARACIÓN

---

- 8 Desempacar
- 10 Componentes y botones
- 11 Levantar y trasladar el televisor
- 12 Configurar el televisor
  - 12 - Colocar la base de la televisión
  - 14 - Montar sobre una mesa
  - 16 - Sujetar los cables

## 17 ESTABLECER CONEXIONES

---

- 17 Conexión de una antena o un cable
- 18 Conexión a un receptor de HD, reproductor de DVD o VCR
  - 18 - Conexión HDMI
- 19 - Conexión a un teléfono móvil
- 20 - Conexión por componente
- 21 - Conexión compuesta
- 22 Conectarse a un PC
  - 22 - Conexión HDMI
- 23 Cómo conectar un dispositivo USB

## 24 CONTROL REMOTO

---

## 26 MIRAR TV

---

- 26 Encender el televisor por primera vez

## 27 CÓMO UTILIZAR LA GUÍA DEL USUARIO

---

## 28 ESPECIFICACIONES

---

## 30 MANTENIMIENTO

---

- 30 Limpieza del televisor
  - 30 - Pantalla, marco, gabinete y base
  - 30 - Cable de alimentación

## 30 SOLUCIÓN DE PROBLEMAS

---

## 31 CONFIGURACION DE CONTROL DEL DISPOSITIVO EXTERNO

---

### **NOTA**

- La imagen puede ser diferente a la de su televisor.
- El OSD (On Screen Display, Despliegue En la Pantalla) de su TV puede ser un poco diferente que este manual.
- Los menús y las opciones disponibles pueden variar según la fuente de entrada que utilice.
- Es posible que se agreguen nuevas funciones a este televisor en el futuro.

## PROCEDIMIENTO DE INSTALACIÓN

- 1 Abra el paquete y asegúrese de que todos los accesorios estén incluidos.
- 2 Instale la base del televisor.
- 3 Conecte un dispositivo externo al televisor.

## MONTAJE Y PREPARACIÓN

### Desempacar

Verifique que la caja del producto contenga los siguientes elementos. Si falta algún accesorio, comuníquese con el distribuidor local mediante el cual adquirió el producto. Las ilustraciones de este manual pueden diferir del producto que usted adquirió.



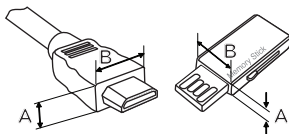
#### PRECAUCIÓN

- No use ningún producto no autorizado para garantizar la seguridad y la vida útil del producto.
- Ningun daño o lesiones por el uso de elementos no autorizados no están cubiertos por la garantía.
- Algunos modelos parecen tener una película fina sobre la pantalla. Esta forma parte de la pantalla, así que no la retire.



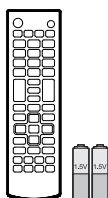
#### NOTA

- Los artículos suministrados con el producto adquirido pueden variar según el modelo.
- Es posible que cambien las especificaciones del producto o el contenido del manual sin previo aviso debido a las actualizaciones de las funciones del producto.
- Para que la conexión sea óptima, los cables HDMI y los dispositivos USB tienen que tener biseles que no superen los 10 mm de espesor y 18 mm de ancho.
- Utilice un cable de extensión que sea compatible con USB 2.0, en caso de que el cable USB o la tarjeta de memoria USB no encajen en el puerto USB del TV.



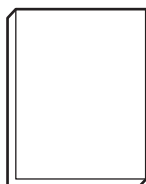
\*A ≤ 10 mm

\*B ≤ 18 mm



**Control remoto y Baterías (AAA)**  
(Consulte p. 24)

---



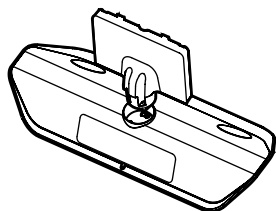
**Manual del usuario**

---



**Cable de alimentación**

---



**Cuerpo de Soporte  
y Base Soporte**  
(Consulte p. 12)

---



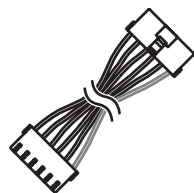
**Tornillos de soporte**  
3 PZ, M5 x 35  
(Consulte p. 12)

---



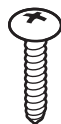
**Tornillos de soporte**  
4 PZ, M4 x 14  
(Consulte p. 13)

---



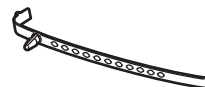
**Cable de bocina**  
(Consulte p. 13)

---



**Tornillo de montaje de escritorio**  
(Consulte p. 14)

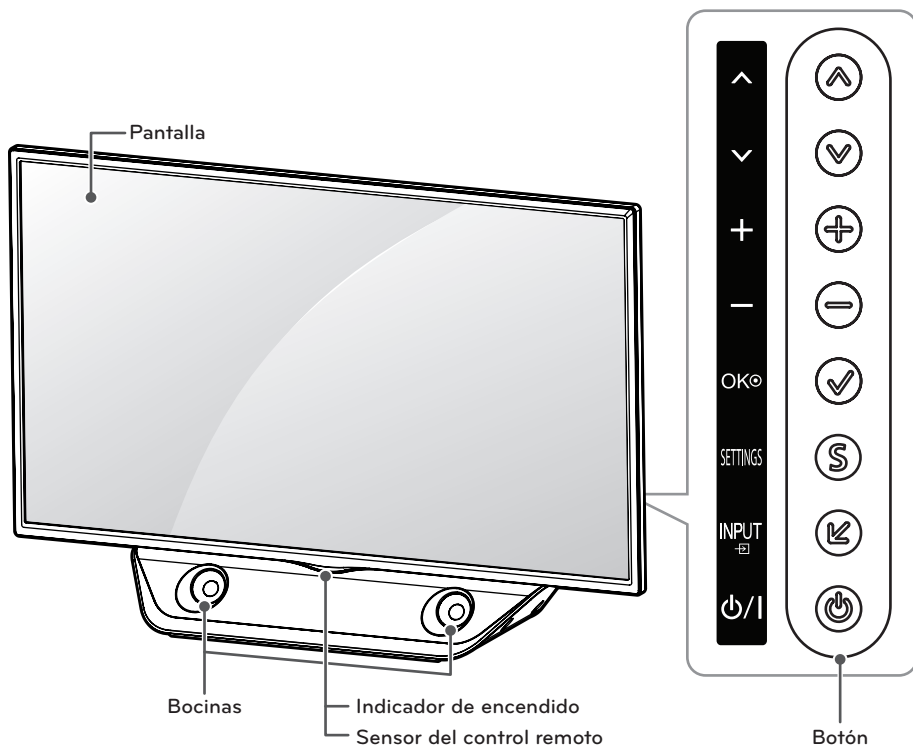
---



**Sujetacables**  
(Consulte p. 16)

---

## Componentes y botones



Botón	Descripción
▲ / ▼ (▲ / ▼)	Permite desplazarse por los canales guardados.
+ / - (+ / -)	Ajusta el nivel del volumen.
✓ (OK)	Selecciona la opción de menú resaltada o confirma una entrada.
S (SETTINGS)	Permite acceder a los menús principales o guardar las entradas y salir de los menús.
↶ (INPUT)	Accesar a las fuentes de entrada.
⏻ (power)	Enciende o apaga el aparato.

**⚠ PRECAUCIÓN**

- No empuje ni toque las bocinas con las manos o un objeto afilado, como el lápiz, la pluma o el clavo.
  - De lo contrario, las bocinas podrían dañarse, dando lugar a un mal funcionamiento.
  - Los niños pueden asustarse por la vibración de las bocinas.

## Levantar y trasladar el televisor

Si desea levantar o trasladar el televisor, lea las instrucciones a continuación para no rayar o dañar el aparato, y para transportarlo de forma segura, independientemente del tamaño o tipo de aparato.



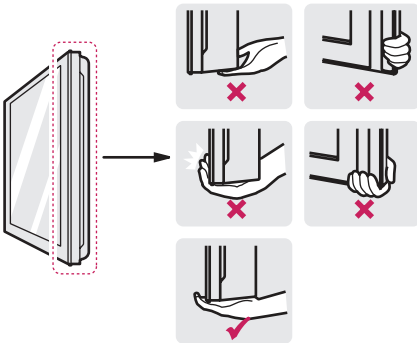
### PRECAUCIÓN

- No toque la pantalla. De lo contrario, podría dañarla.
- No coloque el producto en el piso con la parte frontal hacia abajo. Al hacerlo puede causar daños a la pantalla.

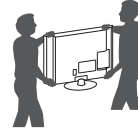
- Se recomienda trasladar el televisor en la caja o el material de embalaje en el que lo recibió al comprarlo.
- Antes de mover o levantar el televisor, desconecte el cable de alimentación y el resto de los cables.
- Cuando sostenga el televisor, la pantalla debe quedar alejada de usted para evitar algún daño.



- Sostenga con firmeza la parte superior e inferior del marco del televisor. Asegúrese de no sostenerlo por la parte transparente, por la bocina o por el área de rejillas de las bocinas.



- Si desea transportar un televisor grande, necesita la ayuda de dos personas como mínimo.
- Al transportar el televisor con las manos, sosténgalo como se indica en esta ilustración.



- Al transportar el televisor, no lo someta a sacudones o vibración excesiva.
- Al transportar el televisor manténgalo en posición vertical, nunca lo apoye sobre uno de los costados, ni lo incline hacia la derecha o la izquierda.

## Configurar el televisor

Instale la base a su TV para colocarla en un centro de entretenimiento u otro mueble.  
(No puede instalar la TV en la pared.)

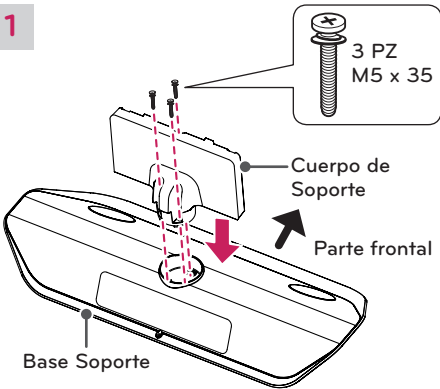
### Colocar la base de la televisión

Siga estas instrucciones para colocar la base de la televisión.

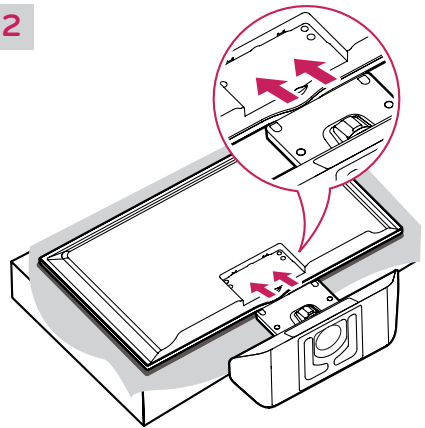
#### PRECAUCIÓN

- Al instalar la base del televisor, ponga la pantalla hacia abajo sobre una mesa acolchada o una superficie plana para evitar rayas.
- Asegúrese de que los tornillos estén completamente ajustados. (Si no están lo suficientemente ajustados, el TV puede inclinarse hacia delante después de instalarse.)
- No ajuste los tornillos con demasiada fuerza, de lo contrario, se pueden desgastar y aflojar.

1

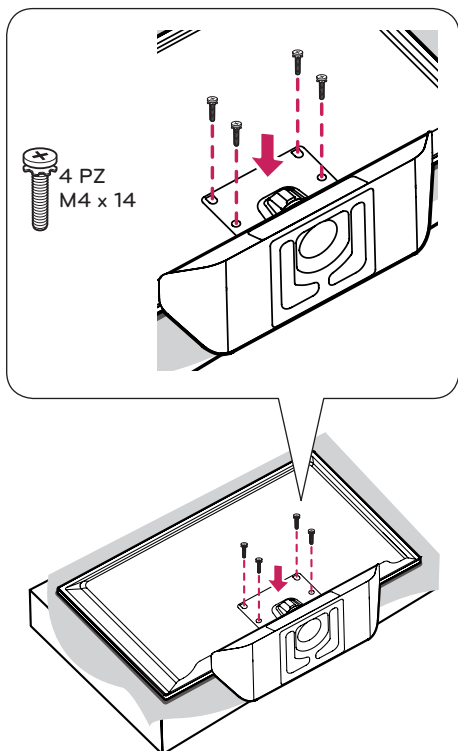


2

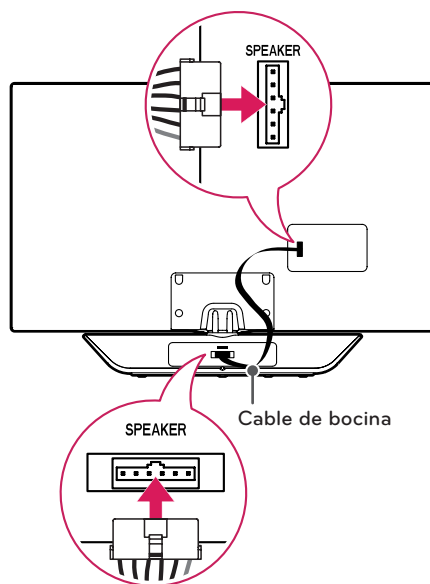




3

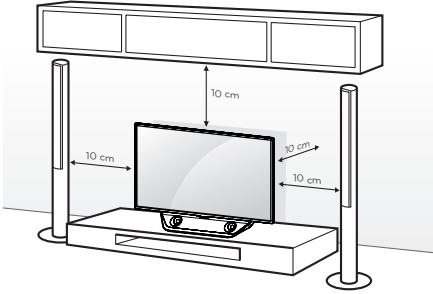


4



### Montar sobre una mesa

- 1 Levante el televisor y déjelo en posición vertical sobre la mesa.
  - Deje un espacio mínimo de 10 cm entre el televisor y la pared para asegurar una ventilación adecuada.



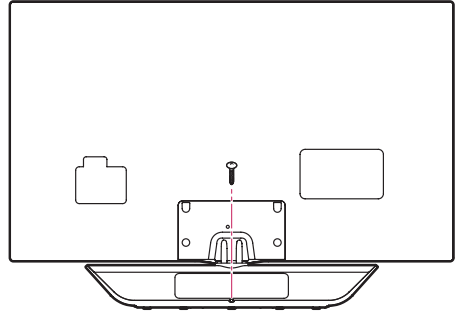
- 2 Conecte el cable de alimentación al tomacorriente de la pared.

**PRECAUCIÓN**

- No colocar la televisión cerca de fuentes de calor, puede resultar quemada u ocasionar otro daño.

### Asegurar el televisor a la mesa

Fije el televisor a la mesa para que no se incline hacia adelante, evitando daños y posibles lesiones. Monte el televisor en una mesa, y luego inserte y ajuste el tornillo suministrado en la parte posterior del pie.



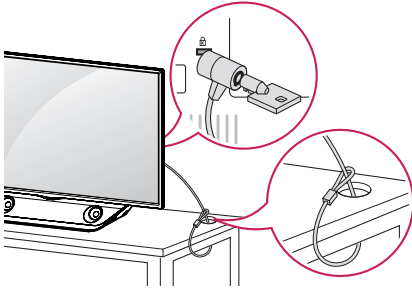
**ADVERTENCIA**

- Para evitar que se caiga el televisor, asegúrelo al piso o a la pared conforme a las instrucciones de instalación. Inclinar, sacudir o balancear el televisor puede provocar daños.

### Usar el sistema de seguridad Kensington (opcional)

El conector del sistema de seguridad Kensington se encuentra en la parte posterior del televisor. Para más información sobre cómo instalarlo y usarlo, consulte el manual suministrado con el sistema de seguridad Kensington o visite el sitio web <http://www.kensington.com>.

Conecte el cable del sistema de seguridad Kensington entre el televisor y la mesa.

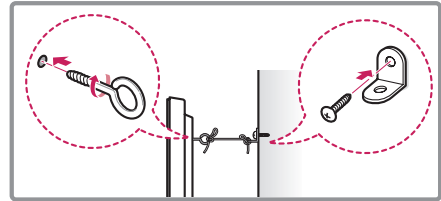
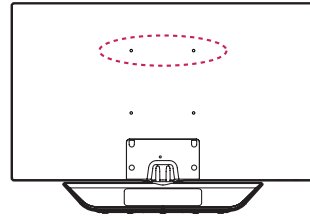


#### ! NOTA

- El sistema de seguridad Kensington es opcional. Puede solicitar otros accesorios a través de su distribuidor local.

### Fijación del televisor a la pared (opcional)

(Según el modelo)



- 1 Inserte y ajuste los tornillos de ojo del televisor en su parte posterior.
  - En caso de que haya tornillos insertados, primero retírelos.
- 2 Utilice los tornillos para colocar los soportes correspondientes en la pared. Acople el soporte de la pared con los tornillos de ojo a la parte posterior del televisor.
- 3 Conecte los tornillos de ojo y los soportes con un cordón fuerte y ajústelos con firmeza. Asegúrese de mantener el cordón en posición horizontal a la superficie plana.

#### ! PRECAUCIÓN

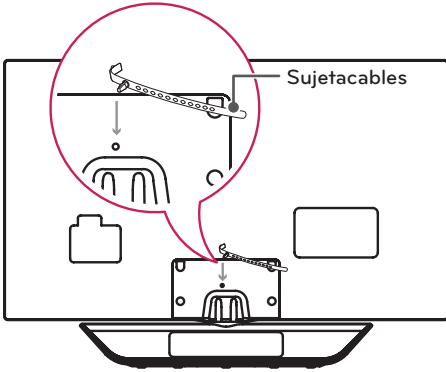
- Asegúrese de que los niños no se suban al televisor ni se cuelguen de él.

#### ! NOTA

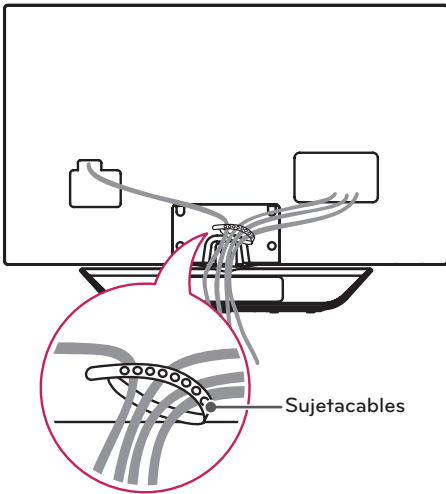
- Utilice una plataforma o un armario que sea lo suficientemente fuerte y grande para sostener el televisor de manera segura.
- Los soportes, los tornillos y los cordones son opcionales. Puede solicitar otros accesorios a través de su distribuidor local.

### Sujetar los cables

1 Instalar el sujetacables como se indica.



2 Agrupe y ate los cables con el sujetacables.



ESPAÑOL

#### ⚠ PRECAUCIÓN

- No mueva el televisor tirando del sujetacables, dado que podría romperse y provocar lesiones o dañar el televisor.

## ESTABLECER CONEXIONES

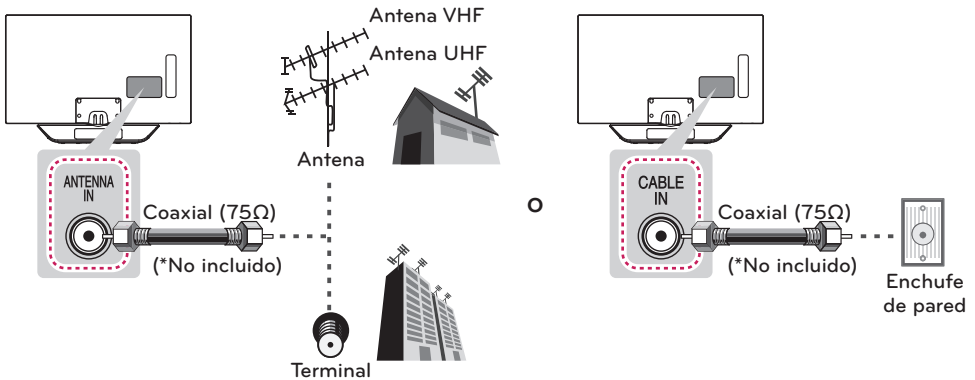
Se pueden conectar distintos dispositivos externos al TV. Los dispositivos externos compatibles son: receptores de HD, reproductores de DVD, VCR, sistemas de audio, dispositivos de almacenamiento USB, PC, dispositivos de juegos, etc. Para más información acerca de la conexión de dispositivos externos, diríjase al manual que viene con cada dispositivo.

### ! NOTA

- Si graba un programa de TV en una grabadora de DVD o VCR, asegúrese de conectar el cable de entrada de señal al televisor a través de uno de estos dos dispositivos. Para obtener más información acerca de la grabación, consulte el manual proporcionado con el dispositivo conectado.
- Las conexiones de dispositivos externos que se muestran pueden ser levemente diferentes de las ilustraciones en este manual.
- Conecte los dispositivos externos al televisor independientemente del orden del puerto del aparato.
- Si conecta un dispositivo de juego al televisor, utilice el cable provisto con dicho dispositivo.
- Consulte el manual del equipo externo para ver las instrucciones de funcionamiento.

### Conexión de una antena o un cable

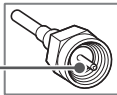
Para mirar televisión, conecte una antena, un cable o una caja de cable y siga estas instrucciones. Las ilustraciones pueden diferir de los elementos reales y el cable RF es opcional.



### ! PRECAUCIÓN

- Asegúrese de no doblar el alambre de cobre del cable de RF.

Alambre de cobre



- Primero conecte todos los dispositivos entre sí y luego conecte el cable de alimentación al tomacorriente, para que el televisor no resulte dañado.

### ! NOTA

- Para mejorar la calidad de imagen en un área de baja señal, favor de comprar un amplificador de señal e instalar adecuadamente.
- Utilice un divisor de señal para más de 2 televisores.
- Si la antena no está correctamente instalada, póngase en contacto con su distribuidor.
- Códec de audio DTV compatible: MPEG, AAC, HE-AAC

## Conexión a un receptor de HD, reproductor de DVD o VCR

Conecte un receptor de HD, reproductor de DVD o VCR al televisor y seleccione el modo de entrada apropiado.

### Conexión HDMI

**La conexión HDMI es la mejor manera de conectar un dispositivo.**

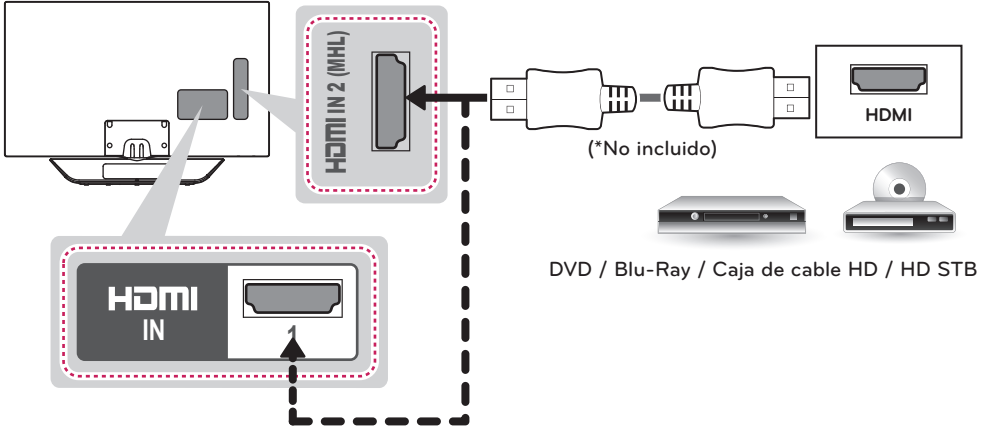
Transmite las señales de audio y video digitales de un dispositivo externo al televisor. Conecte el dispositivo externo y el televisor con el cable HDMI tal como se muestra en la siguiente ilustración.

**! NOTA**

- Utilice el cable HDMI™ de alta velocidad más reciente con la función CEC (control electrónico por parte del cliente).
- Los cables HDMI™ de alta velocidad están probados para transportar señales HD de hasta 1 080 progresivo y superiores.
- Formato de audio HDMI compatible: Dolby Digital, PCM (hasta 192 kHz, 32 kHz / 44,1 kHz / 48 kHz / 96 kHz / 192 kHz) -> No compatible con DTS.

Escoja cualquier puerto de entrada HDMI para conectar.

No importa qué puerto utilice.



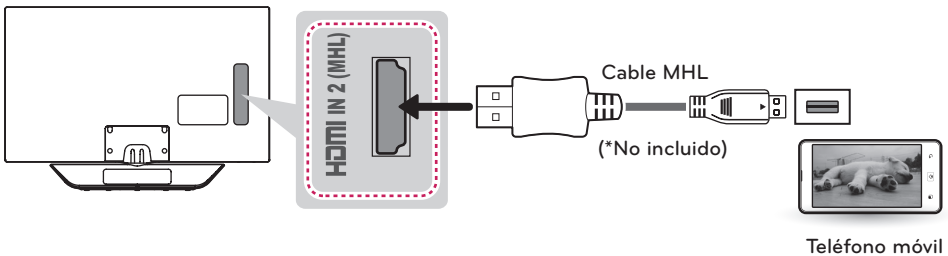
ESPAÑOL

## Conexión a un teléfono móvil

El enlace de alta definición móvil (MHL, por sus siglas en inglés) es una interfaz de transmisión de señales audiovisuales digitales de teléfonos móviles a televisores.

### ! NOTA

- Conecte el teléfono móvil al puerto HDMI IN 2 (MHL) para ver la pantalla del teléfono en el TV.
- Esto solo funciona en teléfonos habilitados con MHL.
- Con teléfonos móviles compatibles con MHL, puedes usar el control remoto del TV para controlar el teléfono.
- Se necesita el cable MHL pasivo para conectar el TV y un teléfono móvil.
- Remueva el cable MHL de la TV cuando:
  - cuando la función MHL este desactivada.
  - cuando el dispositivo móvil está completamente cargado en modo de espera.

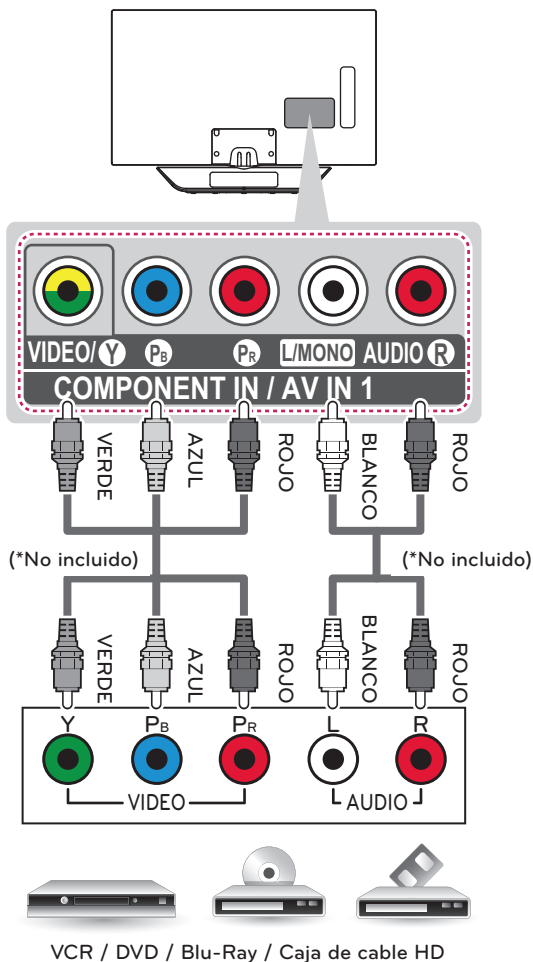


## Conexión por componente

Transmite las señales de audio y video analógicas de un dispositivo externo al televisor. Conecte el dispositivo externo y el televisor con el cable componente tal como se muestra en la siguiente ilustración.

### ! NOTA

- Si la instalación de los cables no es la adecuada, podría proyectarse una imagen en blanco y negro o con colores distorsionados.
- **Revise y compruebe que los cables coincidan con las conexiones de color correspondientes.**



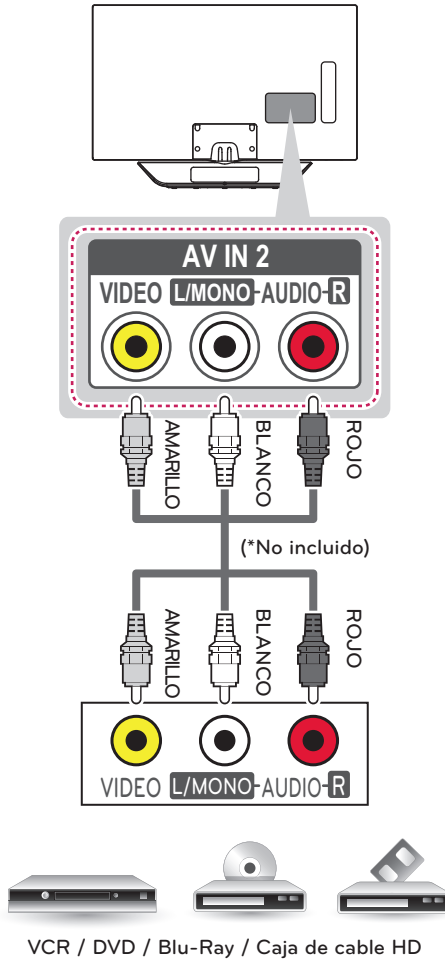


## Conexión compuesta

Transmite las señales de audio y video analógicas de un dispositivo externo al televisor. Conecte el dispositivo externo y el televisor con el cable compuesto tal como se muestra en la siguiente ilustración.

### ! NOTA

- Si posee una VCR monofónica, conecte el cable de audio de la VCR a la toma AUDIO L/MONO del televisor.
- **Revise y compruebe que los cables coincidan con las conexiones de color correspondientes.**

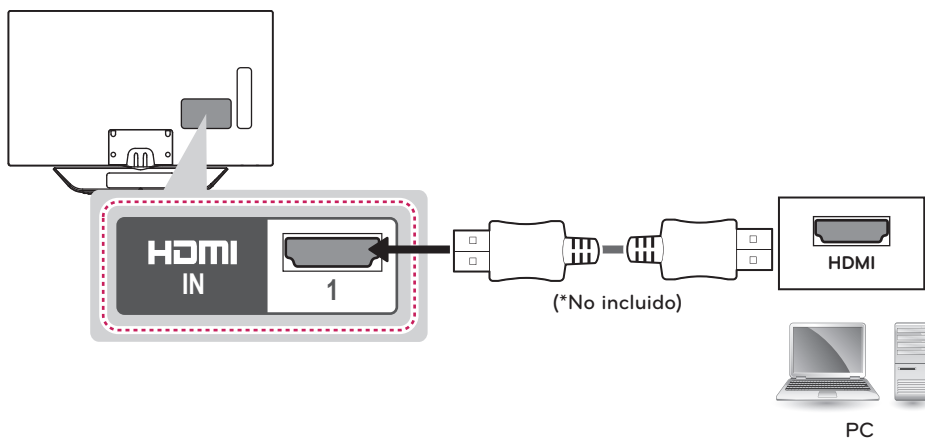


## Conectarse a un PC

### ! NOTA

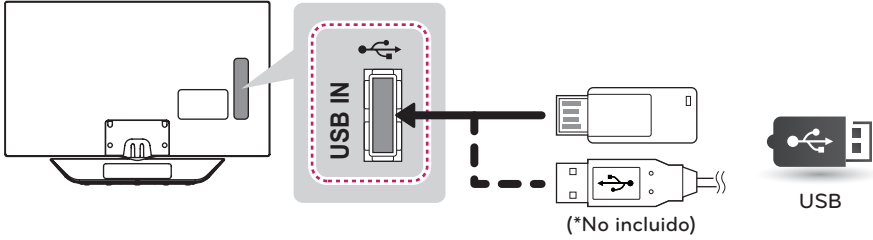
- Se recomienda utilizar el televisor con la conexión HDMI para obtener una calidad de imagen óptima.
- Según la tarjeta gráfica, es posible que no funcione el modo DOS cuando se utiliza un cable HDMI a DVI.
- En el modo PC, es posible que exista ruido asociado con la resolución, patrones verticales, contraste o brillo. Si se producen ruidos, cambie la resolución de la salida de la PC, cambie la frecuencia de actualización o ajuste el brillo y el contraste en el menú IMAGEN hasta que la imagen mejore.
- La forma de onda de la entrada de sincronización para las frecuencias horizontales y verticales es diferente.
- Según la tarjeta gráfica, es posible que algunos ajustes de resolución no permitan que la imagen se ubique en la pantalla de forma correcta.
- Si utiliza DVI para el cable de HDMI a través de PC, tendrá que usar bocina de sonido externa para PC.

### Conexión HDMI



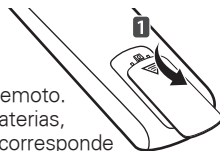
## Cómo conectar un dispositivo USB

Conecte un dispositivo de almacenamiento USB como una memoria USB Flash, un disco duro externo o un lector de tarjetas de memoria USB al televisor.



## CONTROL REMOTO

Las descripciones en este manual se basan en los botones o teclas de su control remoto. Favor de leer cuidadosamente para el uso correcto del televisor. Para instalar las baterías, abrir la tapa o cubierta y colocar baterías (AAA de 1,5 Vcc) Mostrado el lado que le corresponde según la terminación de la etiqueta de ⊕ y ⊖ y cerrar la tapa. Si no coincide correctamente la polaridad de la batería podría hacer que la batería explote o gotee y provocar un incendio, lesiones en personas o la contaminación ambiental. Para retirar las baterías, realice la acción de instalación a la inversa.



### ⚠ PRECAUCIÓN

- No use baterías nuevas junto con otras usadas, ya que esto puede dañar el control remoto.

Este control remoto utiliza luz infrarroja. Al usarlo, es necesario apuntarlo en dirección al sensor remoto del TV.

ESPAÑOL

**⏻ (ENCENDIDO)**  
Enciende o apaga el televisor.

**TV/RAD**   
Alterna entre radio, TV, CATV y DTV.

**SUBTITLE**  
Activa su subtítulo preferido en el modo digital.

**AV MODE**  
Selecciona un modo de audio y video.

**RATIO**   
Cambia el tamaño de una imagen.

**INPUT**   
Accesar a las fuentes de entrada. Enciende la TV si está apagada.

**Botones Numerales**  
Permiten introducir números.

**LIST**  
Permite acceder a la lista de canales guardados.

**Q.VIEW**  
Permite alternar entre los dos últimos canales seleccionados (al presionarlo repetidamente).

**+ VOL -**  
Ajusta el nivel del volumen.

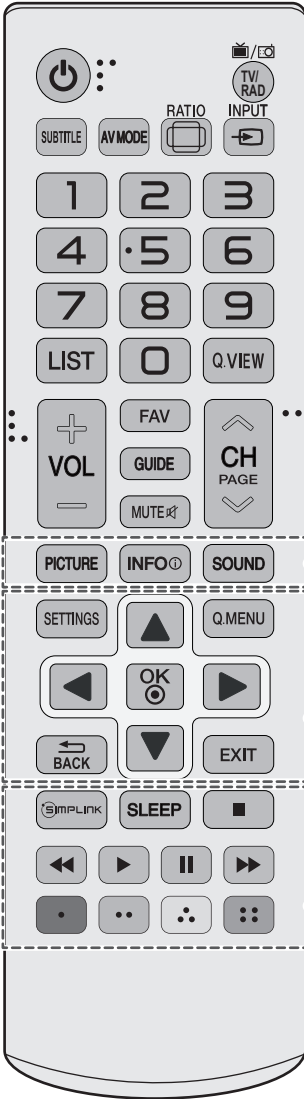
**FAV**  
Permite acceder a la lista de canales favoritos.

**GUIDE**  
Muestra el evento de programa según la hora programada.

**MUTE**   
Silencia todos los sonidos.

**^ CH ^**  
Permite desplazarse por los canales guardados.

**^ PAGE ^**  
Permite ir a la pantalla anterior o siguiente.

**PICTURE**

Cambia el modo de la imagen.

**INFO**

Muestra información del programa actual.

**SOUND**

Cambia el modo de audio.

**SETTINGS**

Permite acceder a los principales menús.

**Q.MENU**

Permite acceder al menú rápido.

**Botones de navegación**

(hacia arriba/hacia abajo/hacia la derecha/hacia la izquierda)  
Permiten desplazarse por los menús o las opciones.

**OK**

Permite seleccionar menús u opciones y confirmar lo ingresado.

**BACK (VOLVER)**

Permite volver al nivel anterior.

**EXIT**

Borra todo lo que muestra la pantalla y se regresa a aver la televisión.

**SIMPLINK**

Permite acceder a los dispositivos AV conectados al televisor.  
O bien, abre el menú SIMPLINK.

**SLEEP**

Establece el tiempo durante el cual el televisor permanecerá encendido.

**Botones de control (■, ▶, ||, ◀, ▶▶)**

Permiten controlar los dispositivos compatibles con SIMPLINK (USB, SIMPLINK).

**Botones de color**

Estos accesos de funciones especiales son en algunos menús.  
(●: Rojo, ●: Verde, ●: Amarillo, ●: Azul)

## MIRAR TV

### Encender el televisor por primera vez

Al encender el televisor por primera vez, aparece la pantalla de configuración inicial. Seleccione un idioma y personalice la configuración básica.

- 1 Conecte el cable de alimentación a un tomacorriente.
- 2 En modo de espera, presione el botón de encendido en el control remoto para encender el televisor. Si es la primera vez que enciende el televisor, aparecerá la pantalla de configuración inicial.

#### ! NOTA

- Para acceder a **Configuración Inicial**, vaya a **OPCIÓN** en el menú principal.

- 3 Siga las instrucciones en pantalla para personalizar la configuración del televisor según sus preferencias.

Lenguaje ↓	Selecciona un idioma para la pantalla.
Configuración de modo ↓	Selecciona <b>Usar en Casa</b> para el hogar.
Indicador de Poder ↓	Configura la luz de apagado.
Sintonización automática	Busca y guarda los canales disponibles de manera automática.

#### ! NOTA

- Para ver las imágenes con la mejor calidad dentro de su hogar, seleccione **Usar en Casa**.
- **Demo de Tienda** es la opción adecuada para las tiendas minoristas.
- Si selecciona **Demo de Tienda**, los ajustes personalizados se regresaran al ajuste de tienda en 5 minutos.

- 4 Una vez finalizada la configuración básica, presione el botón **OK**.

#### ! NOTA

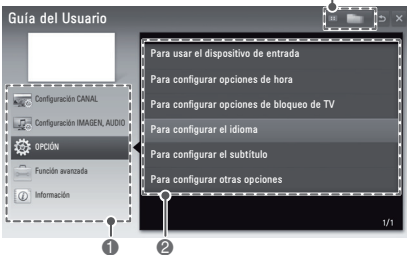
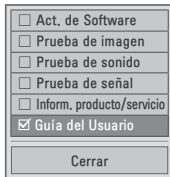
- Si no completa la configuración inicial, aparecerá cada vez que encienda el televisor.
- Desconecte el cable de alimentación del tomacorriente cuando no use el televisor durante periodos prolongados.

- 5 Para apagar el televisor, presione el botón de encendido en el control remoto.

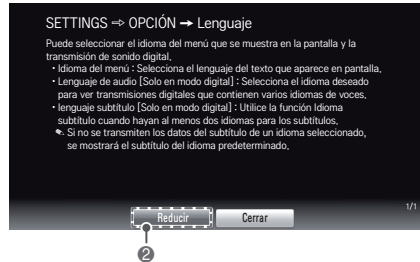
# CÓMO UTILIZAR LA GUÍA DEL USUARIO DEL USUARIO

La Guía del usuario le permite acceder de forma más sencilla a la información detallada del TV.

- 1 Presione el botón **SETTINGS** para acceder a los menús principales.
- 2 Presione el botón **Rojo** para acceder a **Asistencia al cliente**.
- 3 Presione los botones de navegación para desplazarse hacia **Guía del Usuario** y presione **OK**.



- 1 Permite seleccionar la categoría que desea.
- 2 Permite seleccionar el ítem que desea. Puede utilizar  $\blacktriangleleft$  /  $\blacktriangleright$  para cambiar de página.
- 3 Permite buscar la descripción de la función que desea en el índice.



- 1 Muestra la descripción del menú seleccionado. Puede utilizar  $\blacktriangleleft$  /  $\blacktriangleright$  para cambiar de página.
- 2 Amplía o reduce el tamaño de la pantalla.

## ESPECIFICACIONES

Las especificaciones del producto pueden cambiar sin previo aviso debido a las actualizaciones de las funciones de los productos.

<b>Potencia requerida</b>	AC 100 - 240 V ~ 50 / 60 Hz	
<b>Sistema de televisión</b>	NTSC-M, PAL-M/N, DVB-T	
<b>Cobertura de programas</b>	VHF 2-13, UHF 14-69, CATV 1-125, DTV 14-69	
<b>Impedancia de antena externa</b>	75 $\Omega$	
<b>Condición de ambiente</b>	Temperatura de funcionamiento	0 °C a 40 °C
	Humedad de funcionamiento	Menos de 80%
	Temperatura de almacenamiento	-20 °C a 60 °C
	Humedad de almacenamiento	Menos de 85%

MODELOS		42LN5390 (42LN5390-DN)	47LN5390 (47LN5390-DN)
Dimensiones (Ancho x altura x profundidad)	Con base	968 x 670,5 x 251,8 (mm)	1 080 x 733,6 x 251,8 (mm)
	Sin base	968 x 579 x 79 (mm)	1 080 x 642 x 80,5 (mm)
Peso	Con base	12,6 kg	16,1 kg
	Sin base	9,3 kg	12,8 kg
Corriente de consumo / Consumo de la potencia		1,6 A / 110 W	1,3 A / 130 W



**Modo HDMI (PC) admitido**

Resolución	Frecuencia horizontal (kHz)	Frecuencia vertical (Hz)
640 x 350	31,468	70,09
720 x 400	31,469	70,08
640 x 480	31,469	59,94
800 x 600	37,879	60,31
1 024 x 768	48,363	60,00
1 152 x 864	54,348	60,053
1 360 x 768	47,712	60,015
1 280 x 1024	63,981	60,02
1 920 x 1080	67,50	60,00

**Modo HDMI (DTV) admitido**

Resolución	Frecuencia horizontal (kHz)	Frecuencia vertical (Hz)
720 x 480 progresivo	31,469	59,94
	31,50	60,00
720 x 576 progresivo	31,25	50,00
1 280 x 720 progresivo	37,50	50,00
	44,96	59,94
1 920 x 1 080 entrelazado	45,00	60,00
	28,125	50,00
1 920 x 1 080 entrelazado	33,72	59,94
	33,75	60,00
1 920 x 1 080 progresivo	26,97	23,976
	27,00	24,00
	33,71	29,97
	33,75	30,00
	56,25	50,00
	67,432	59,94
	67,50	60,00

**Información de conexión de puerto componente**

Puertos componente del televisor	Y	P <sub>B</sub>	P <sub>R</sub>
----------------------------------	---	----------------	----------------

Puertos de salida de video del reproductor de DVD	Y	P <sub>B</sub>	P <sub>R</sub>
	Y	B-Y	R-Y
	Y	Cb	Cr
	Y	Pb	Pr

**Modo de componente admitido**

Resolución	Frecuencia horizontal (kHz)	Frecuencia vertical (Hz)
720 x 480 entrelazado	15,73	59,94
	15,73	60,00
720 x 480 progresivo	31,47	59,94
	31,50	60,00
720 x 576 entrelazado	15,625	50,00
720 x 576 progresivo	31,25	50,00
1 280 x 720 progresivo	37,50	50,00
	44,96	59,94
	45,00	60,00
1 920 x 1 080 entrelazado	28,125	50,00
	33,72	59,94
	33,75	60,00
1 920 x 1 080 progresivo	26,97	23,976
	27,00	24,00
	33,71	29,97
	33,75	30,00
	56,25	50,00
	67,432	59,939
	67,50	60,00

## MANTENIMIENTO

### Limpieza del televisor

Limpie el televisor con regularidad para preservar el mejor rendimiento y prolongar la vida útil del producto.



#### PRECAUCIÓN

- Primero asegúrese de apagar la energía y de desconectar el cable de alimentación y todos los demás cables.
- Cuando no se utilice el televisor durante mucho tiempo, desconecte el cable de alimentación de la toma de la pared para evitar posibles daños por descargas o sobrecargas de energía.

### Pantalla, marco, gabinete y base

Para quitar el polvo o la suciedad leve, pase un paño seco, limpio y suave por la superficie. Para eliminar suciedad de mayor importancia, limpie la superficie con un paño suave humedecido con agua limpia o un detergente suave diluido. Después, pase de inmediato un paño seco.



#### PRECAUCIÓN

- No ejerza presión, refriegue ni golpee la superficie con las uñas o un objeto punzante, dado que puede rayar la pantalla y producir distorsiones en la imagen.
- No utilice sustancias químicas (como ceras, bencina, alcohol, tñer, insecticidas, desodorantes de ambientes o lubricantes) dado que pueden dañar el acabado de la pantalla y causar decoloración.
- No rocíe líquido sobre la superficie. Si entra agua en el televisor, puede ocasionar incendios, descargas eléctricas o mal funcionamiento.

### Cable de alimentación

Quite con regularidad el polvo o la tierra acumulados en el cable de alimentación.

## SOLUCIÓN DE PROBLEMAS

Problema	Solución
No se puede controlar el televisor con el control remoto.	<ul style="list-style-type: none"> <li>• Compruebe el sensor del control remoto en el producto e inténtelo de nuevo.</li> <li>• Compruebe que no haya ningún obstáculo entre el producto y el control remoto.</li> <li>• Compruebe que las baterías sigan funcionando y estén instaladas como corresponde (⊕ con ⊕, ⊖ con ⊖).</li> </ul>
No se muestra ninguna imagen ni se emite sonido.	<ul style="list-style-type: none"> <li>• Compruebe si el producto está encendido.</li> <li>• Compruebe si el cable de alimentación está conectado a la toma de la pared.</li> <li>• Conecte otros productos para comprobar si hay un problema con la toma de la pared.</li> </ul>
El televisor se apaga de repente.	<ul style="list-style-type: none"> <li>• Compruebe la configuración del control de energía. Es posible que el suministro eléctrico se interrumpa.</li> <li>• Compruebe si la función de apagado automático no está activada en la configuración de hora.</li> <li>• Si no hay señal mientras el televisor está encendido, este se apagará automáticamente después de 15 minutos de inactividad.</li> </ul>

## CONFIGURACION DE CONTROL DEL DISPOSITIVO EXTERNO

Para obtener la información de el control de dispositivo externo de configuración, por favor visite '[www.lg.com](http://www.lg.com)'.



Los números de modelo y de serie del televisor se encuentran ubicados en la parte posterior del aparato. Regístrelos en el siguiente espacio por si alguna vez necesita recurrir al servicio técnico.

MODELO \_\_\_\_\_

SERIE \_\_\_\_\_



MANUAL DEL USUARIO

# CONFIGURACIÓN DE DISPOSITIVOS DE CONTROL EXTERNOS

Lea este manual cuidadosamente antes de utilizar el producto y consérvelo para futuras referencias.

# CÓDIGOS DE TECLA

- Esta función no está disponible en todos los modelos.

Código (hexa)	Función	Nota	Código (hexa)	Función	Nota
00	CH +, PR +	Botón R/C	45	Q.menu (Menú rápido)	Botón R/C
01	CH -, PR -	Botón R/C	4C	Lista, - (Solo con ATSC)	Botón R/C
02	Volumen +	Botón R/C	53	List	Botón R/C
03	Volumen -	Botón R/C	5B	Salir	Botón R/C
06	> (Tecla de flecha / Tecla derecha)	Botón R/C	61	Azul	Botón R/C
07	< (Tecla de flecha / Tecla izquierda)	Botón R/C	63	Amarillo	Botón R/C
08	Alimentación	Botón R/C	71	Verde	Botón R/C
09	Mute	Botón R/C	72	Rojo	Botón R/C
0B	Entrada	Botón R/C	79	Relación / Aspecto de pantalla	Botón R/C
0E	SLEEP	Botón R/C	91	AD (Descripción audio)	Botón R/C
0F	TV, TV/RAD	Botón R/C	7A	User Guide	Botón R/C
10 - 19	Teclas numéricas 0 a 9	Botón R/C	7C	Smart / Home	Botón R/C
1A	Q.View / Flashback	Botón R/C	7E	SIMPLINK	Botón R/C
1E	FAV (canal favorito)	Botón R/C	8E	▶▶ (adelantar)	Botón R/C
20	Texto (teletexto)	Botón R/C	8F	◀◀ (rebobinar)	Botón R/C
21	T. Opt (opción teletexto)	Botón R/C	AA	Info	Botón R/C
28	Regresar (ATRÁS)	Botón R/C	AB	Guía de programación	Botón R/C
30	Modo AV (Audio/Video)	Botón R/C	B0	▶ (Reproducir)	Botón R/C
39	Caption/Subtítulo	Botón R/C	B1	■ (detener / Live TV)	Botón R/C
40	Λ (tecla de flecha/ cursor hacia arriba)	Botón R/C	BA	(congelar/reproducción en cámara lenta/ pausa)	Botón R/C
41	V (tecla de flecha/ cursor hacia abajo)	Botón R/C	BD	● (GRABAR)	Botón R/C
42	Mis apls.	Botón R/C	DC	3D	Botón R/C
43	Menú / Configuración	Botón R/C	9F	App (aplicación)*	Botón R/C
44	OK / Enter	Botón R/C			

\* El código de tecla 4C (0x4C) está disponible en los modelos ATSC/ISDB que utilizan canal mayor/menor. (Para los modelos de Corea del Sur, Japón, América del Norte, América Latina excepto Colombia)

# CONFIGURACIÓN DE DISPOSITIVOS DE CONTROL EXTERNOS

- Es posible que la imagen que se muestra no sea exactamente igual a su TV.

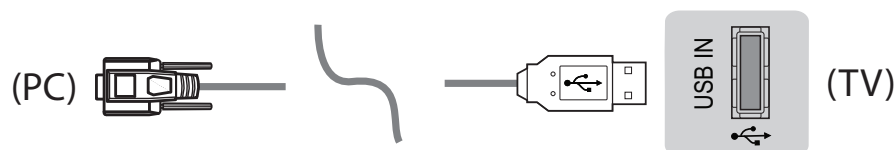
Conecte el USB al convertidor de serie/toma de entrada RS-232C a un dispositivo de control externo (como una computadora o un sistema de control A/V) para controlar externamente las funciones del producto.

Nota: El tipo de puerto de control del TV puede variar según la serie de los modelos.

- \* Tenga en cuenta que no todos los modelos admiten este tipo de conectividad.
- \* No se suministra el cable.

## USB a convertidor de serie con cable USB

Tipo de USB

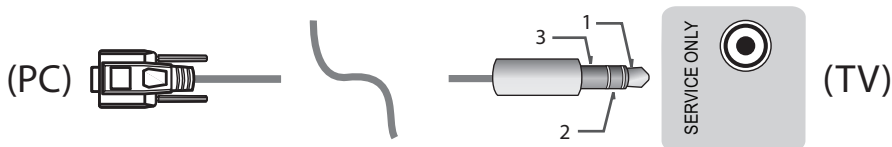


- LG TV admite el uso de un USB a convertidor de serie basado en chip PL2303 (ID de proveedor: 0x0557, ID de producto: 0x2008) que LG no fabrica ni incluye.
- Puede adquirirse en tiendas de computadoras que venden accesorios para profesionales de soporte de TI.

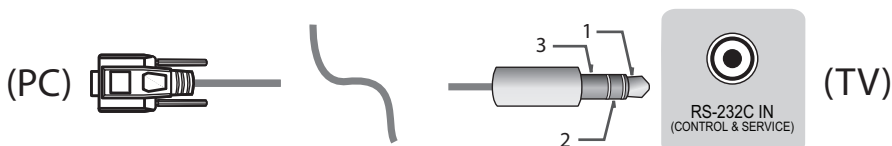
## RS-232C con cable RS-232C (existente)

Tipo de adaptador 3.5 mm Stereo

- Para realizar la conexión entre la PC y el TV, que se especifica en el manual, debe comprar el cable de conector 3.5 mm Stereo a RS-232.
- \* Para otros modelos, conecte al puerto USB.

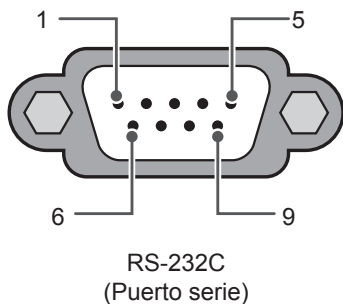


- Esta conexión solo se puede utilizar con los siguientes modelos: 55/47/39LN5450-UA, 55/50/47/42LN5400-UA, 42/39/32LN5300-UA, y 37/32LN530B-UA.



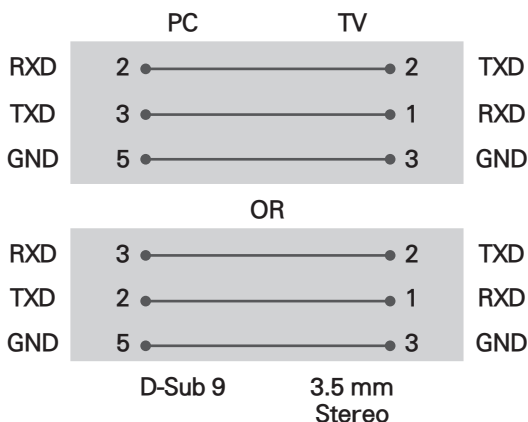
- Esta conexión solo se puede utilizar con los siguientes modelos: 42/50PN4500-UA, 50/60PN5300-UF, 50/60PN6500-UA y 60PN6550-UA.

### Computadora del cliente



### Configuraciones de RS-232C

Configuraciones de 3 cables (no estándar)



### ID del televisor

Para seleccionar el número de ID, consulte "Asignación de datos reales" en la página 6.

1. Presione **CONFIGURACIÓN** para acceder a los menús principales.
2. Presione los botones de navegación para desplazarse hasta la **OPCIÓN** y luego presione **ACEPTAR**.
3. Presione los botones de navegación para desplazarse hasta **SET ID** y luego presione **ACEPTAR**.
4. Desplácese hacia la izquierda o hacia la derecha para seleccionar un número de ID del televisor y seleccione **CERRAR**. El rango de ajuste es de 1 a 99.
5. Cuando haya terminado, presione **SALIR**.



## Parámetros de comunicación

- Velocidad en baudios: 9600 bps (UART)
- Longitud de datos: 8 bits
- Paridad: ninguna
- Bit de detención: 1 bit
- Código de comunicación: código ASCII
- Utilice un cable cruzado (reverso).

## Lista de referencia de comandos

(según el modelo)

	COMANDO1	COMANDO2	DATOS (Hexadecimal)		COMANDO1	COMANDO2	DATOS (Hexadecimal)
01. Apagado	k	a	00	13. Balance	k	t	00 a 64
02. Relación de aspecto	k	c	(Consulte la pág.7)	14. Temp color	x	u	00 a 64
03. Silencio de pantalla	k	d	(Consulte la pág.7)	15. ISM Método (solo televisores plasma)	j	p	(Consulte la pág.8)
04. Silencio de volumen	k	e	00 a 01	16. Ahorro de energía	j	q	00 a 05
05. Control de volumen	k	f	00 a 64	17. Comandos de sintonización	m	a	(Consulte la pág.9)
06. Contraste	k	g	00 a 64	18. Agr/Borr (Agregar/Borrar) canal (Programa)	m	b	00 a 01
07. Brillo	k	h	00 a 64	19. Tecla	m	c	Código de tecla
08. Color	k	i	00 a 64	20. Luz de pantalla de control Luz del panel de control	m	g	00 a 64
09. Tinte	k	j	00 a 64	21. Selección de entrada (principal)	x	b	(Consulte la pág.10)
10. Nitidez	k	k	00 a 32	22. 3D (Solo modelos 3D)	x	t	(Consulte la pág.11)
11. Selección de OSD	k	l	00 a 01	23. 3D extendido (solo modelos 3D)	x	v	(Consulte la pág.11)
12. Control remoto Modo de bloqueo	k	m	00 a 01				

\* Nota: durante las operaciones de USB tales como Dvix o EMF, todos los comandos, excepto Alimentación (ka) y Tecla (mc) no se ejecutan y se reconocen como NG.

## Protocolo de transmisión/recepción

### Transmisión

[Comando1][Comando2][ID del televisor][Datos][Cr]

[Comando 1] : primer comando para controlar el televisor (j, k, m o x)

[Comando 2] : segundo comando para controlar el televisor.

[ID del televisor] : puede ajustar la ID del televisor para elegir el número de identificación de monitor que desea en el menú de opción. El rango de ajuste es de 1 a 99. Cuando seleccione ID del televisor "0", se controlará cada televisor conectado.

\* La ID del televisor se expresa en sistema decimal (1 a 99) en el menú y en sistema hexadecimal (0x0 a 0x63) en el protocolo de transmisión/recepción.

[DATOS] : para transmitir los datos de comando. Transmite datos "FF" para leer el estado del comando.

[Cr] : Retorno - código ASCII "0x0D"

[ ] : Espacio - código ASCII "0x20"

### Reconocimiento de aceptación

[Comando2][ID del televisor][Aceptar][Datos][x]

\* El televisor transmite mensajes de ACK (confirmación) de acuerdo con este formato cuando recibe datos normales. En este momento, si los datos se encuentran en modo de lectura, indica los datos de estado actuales. Si los datos se encuentran en modo de escritura, devuelve los datos de la PC.

### Reconocimiento de error

[Comando2][ID del televisor][NG][Datos][x]

\* El televisor transmite mensajes de ACK (confirmación) de acuerdo con este formato cuando recibe datos anormales desde funciones no viables o errores de comunicación.

Datos 00: código ilegal

### Asignación de datos reales (Hexadecimal → Decimal)

\* Cuando ingresa los [datos] en hexadecimal, consulte la tabla de conversión a continuación.

\* El Comando de sintonización de canales (ma) utiliza un valor hexadecimal ([datos]) para seleccionar el número de canal.

00 : Paso 0	32 : Paso 50 (ID del televisor 50)	FE : Paso 254
01 : Paso 1 (ID del televisor 1)	33 : Paso 51 (ID del televisor 51)	FF : Paso 255
...	...	...
0A : Paso 10 (ID del televisor 10)	63 : Paso 99 (ID del televisor 99)	01 00 : Paso 256
...	...	...
0F : Paso 15 (ID del televisor 15)	C7 : Paso 199	27 0E : Paso 9998
10 : Paso 16 (ID del televisor 16)	C8 : Paso 200	27 0F : Paso 9999
...	...	...

\* Según el modelo y la señal, los comandos podrán funcionar de un modo diferente.

01. Alimentación (comando: k a)

► Para controlar el apagado del equipo.

Transmisión [k][a][ ][ID del televisor][ ][Dato][Cr]

Datos 00 : apagado

Confirmación [a][ ][ID del televisor][ ][OK/NG]  
[Dato][x]

► Para mostrar Encender. (Funciona solo si el TV está encendido)

Transmisión [k][a][ ][ID del televisor][ ][FF][Cr]

Confirmación [a][ ][ID del televisor][ ][OK/NG]  
[Dato][x]

\* De igual manera, si otras funciones transmiten datos "FF" de acuerdo con este formato, la retroalimentación de reconocimiento presenta el estado de cada función.

02. Relación de aspecto (comando: k c)  
(tamaño de la imagen principal)

► Para ajustar el formato de la pantalla. (Formato de la imagen principal)

También puede ajustar la pantalla mediante la opción Relación de aspecto de Q.MENU (Menú rápido). o del menú IMAGEN.

Transmisión [k][c][ ][ID del televisor][ ][Dato][Cr]

Dato 01 : pantalla normal (4:3)	07 : 14:9 (Europa, Colombia, Medio Oriente, Asia excepto Corea del Sur y Japón)
02 : pantalla ancha (16:9)	09 : * solo búsqueda
04 : zoom	0B : ancho total
05 : zoom 2 (América Latina con excepción de Colombia)	(Solo Europa, Taiwán, Medio oriente asiático, China, Hong Kong y Colombia)
06 : Por programa/original	10 a 1F : zoom cine 1 a 16

Confirmación [c][ ][ID del televisor][ ][OK/NG]  
[Dato][x]

\* Usando la entrada de PC, seleccione la relación de aspecto de la pantalla de 16:9 o 4:3.

\* En el modo DTV/HDMI/Componente (alta definición), está disponible la opción Solo búsqueda.

\* El modo ancho completo podría funcionar de un modo diferente en cada modelo, y es totalmente compatible con DTV y parcialmente compatible con ATV.

03. Silencio de pantalla (comando: k d)

► Para activar o desactivar el silencio de la pantalla.

Transmisión [k][d][ ][ID del televisor][ ][Dato][Cr]

Data 00 : silenciador de pantalla apagado (imagen encendida) Silenciador de salida de video apagado

01 : silenciador de pantalla encendido (imagen apagada)

10 : silenciador de salida de video encendido

Confirmación [d][ ][ID del televisor][ ][OK/NG]  
[Dato][x]

\* Si solo se encuentra activado el silencio de salida de video, el televisor mostrará la visualización en pantalla (OSD). Pero si está activado el silencio de la pantalla, el televisor no mostrará dicha visualización (OSD).

04. Silenciador de volumen (comando: k e)

► Para activar o desactivar el silencio del volumen. También es posible ajustar el silenciador a través del botón MUTE del control remoto.

Transmisión [k][e][ ][ID del televisor][ ][Dato][Cr]

Dato 00 : silenciador de volumen encendido (volumen apagado)

01 : silenciador de volumen apagado (volumen encendido)

Confirmación [e][ ][ID del televisor][ ][OK/NG]  
[Dato][x]

05. Control de volumen (comando: k f)

► Para ajustar el volumen. También puede ajustar el volumen con los botones de volumen del control remoto.

Transmisión [k][f][ ][ID del televisor][ ][Dato][Cr]

Dato Mín.: 00 a Máx.: 64

Confirmación [f][ ][ID del televisor][ ][OK/NG]  
[Dato][x]

06. Contraste (comando: k g)

► Para ajustar el contraste de la pantalla. También puede ajustar el contraste en el menú IMAGEN.

Transmisión [k][g][ ][ID del televisor][ ][Dato][Cr]

Dato Mín.: 00 a Máx.: 64

Confirmación [g][ ][ID del televisor][ ][OK/NG]  
[Dato][x]

## 07. Brillo (comando: k h)

- ▶ Para ajustar el brillo de la pantalla. También puede ajustar el brillo en el menú IMAGEN.

Transmisión [k][h][ ][ID del televisor][ ][Dato][Cr]

Dato Mín.: 00 a Máx.: 64

Confirmación [h][ ][ID del televisor][ ][OK/NG]  
[Dato][x]

## 08. Color (comando: k i)

- ▶ Para ajustar el color de la pantalla. También puede ajustar el color en el menú IMAGEN.

Transmisión [k][i][ ][ID del televisor][ ][Dato][Cr]

Dato Mín.: 00 a Máx.: 64

Confirmación [i][ ][ID del televisor][ ][OK/NG]  
[Dato][x]

## 09. Tinte (comando: k j)

- ▶ Para ajustar el tinte de la pantalla. También puede ajustar el tinte en el menú IMAGEN.

Transmisión [k][j][ ][ID del televisor][ ][Dato][Cr]

Dato Rojo: 00 a Verde: 64

Confirmación [j][ ][ID del televisor][ ][OK/NG]  
[Dato][x]

## 10. Nitidez (comando: k k)

- ▶ Para ajustar la nitidez de la pantalla. También puede ajustar la nitidez en el menú IMAGEN.

Transmisión [k][k][ ][ID del televisor][ ][Dato][Cr]

Dato Mín.: 00 a Máx.: 32

Confirmación [k][ ][ID del televisor][ ][OK/NG]  
[Dato][x]

## 11. Selección de OSD (comando: k l)

- ▶ Para seleccionar el encendido o apagado del modo de visualización en pantalla (OSD) durante el control remoto.

Transmisión [k][l][ ][ID del televisor][ ][Dato][Cr]

Dato 01 : OSD apagado 01 : OSD encendido

Confirmación [l][ ][ID del televisor][ ][OK/NG]  
[Dato][x]

## 12. Modo de bloqueo de control remoto (comando: k m)

- ▶ Para bloquear el control remoto y los controles del panel frontal del televisor.

Transmisión [k][m][ ][ID del televisor][ ][Dato][Cr]

Dato 01 : apagado 01 : bloqueo encendido

Confirmación [m][ ][ID del televisor][ ][OK/NG]  
[Dato][x]

- \* Si no está utilizando el control remoto, utilice este modo.

Cuando la fuente de alimentación principal se apaga/enciende (se desconecta y se conecta, después de 20 - 30 segundos), se desactiva el bloqueo de control externo.

- \* En modo de espera (CC apagada mediante la hora de apagado o el comando "ka", "mc") si está activado el bloqueo de teclas, el TV no se encenderá al presionar la tecla de encendido de IR o la tecla local.

## 13. Balance (comando: k t)

- ▶ Para ajustar el balance. También puede ajustar el balance en el menú AUDIO.

Transmisión [k][t][ ][ID del televisor][ ][Dato][Cr]

Dato Mín.: 00 a Máx.: 64

Confirmación [t][ ][ID del televisor][ ][OK/NG]  
[Dato][x]

## 14. Temperatura de color (comando: x u)

- ▶ Para ajustar la temperatura de color. También puede ajustar la temperatura de color en el menú IMAGEN.

Transmisión [x][u][ ][ID del televisor][ ][Dato][Cr]

Dato Mín.: 00 a Máx.: 64

Confirmación [u][ ][ID del televisor][ ][OK/NG]  
[Dato][x]

## 15. Método de ISM (comando: j p) (solo en televisores plasma)

- ▶ Para controlar el método de ISM. También puede ajustar el Método de ISM en el menú OPCIÓN.

Transmisión [j][p][ ][ID del televisor][ ][Dato][Cr]

Datos : 02: orbiter  
08: normal  
20: lavado de color

Confirmación [p][ ][ID del televisor][ ][OK/NG]  
[Dato][x]

## 16. Ahorro de energía (comando: j q)

- ▶ Para reducir el consumo de energía de la televisión. También puede ajustar el Ahorro de energía en el menú IMAGEN.

Transmisión [j][q][ ][ID del televisor][ ][Dato][Cr]

## Datos

- 00 : apagado
- 01 : mínimo
- 02 : medio
- 03 : máximo
- 04 : automático
- 05 : pantalla apagada

\* (según el modelo)

Confirmación [q][ ][ID del televisor][ ][OK/NG]  
[Dato][x]

## 17. Comando de sintonización (comando: m a)

\* Según el modelo y la señal, este comando podrá funcionar de un modo diferente.

- Para los modelos de Europa, Medio Oriente, Colombia, Asia excepto Corea del Sur y Japón
- Seleccione el canal de los siguientes números físicos.

Transmisión [m][a][ ][ID del televisor][ ][Dato 00]  
[ ][Dato 01] [ ][Dato 02][Cr]

\* Terrestre análoga/por cable

[Dato 00][Dato 01] Channel Data

Dato 00 : dato de canal alto

Dato 01 : dato de canal bajo

- 00 00 ~ 00 C7 (decimal : 0 ~ 199)

Dato 02 : fuente de entrada (análoga)

- 00 : TV terrestre (ATV)

- 80 : TV por cable (CATV)

\* Terrestre digital/por cable/satelital

[Dato 00][Dato 01]: datos de canales

Dato 00 : dato de canal alto

Dato 01 : dato de canal bajo

- 00 00 ~ 27 0F (decimal: 0 ~ 9999)

Dato 02 : fuente de entrada (digital)

- 10 : TV terrestre (DTV)

- 20 : Radio terrestre (Radio)

- 40 : TV satelital (SDTV)

- 50 : Radio satelital (S-Radio)

- 90 : TV por cable (CADTV)

- a0 : Radio por cable (CA-Radio)

\* Ejemplos de comandos de sintonización:

## 1. Sintonice el canal terrestre análogo (PAL) 10.

ID del televisor = todo = 00

Dato 00 y 01 = datos de canales 10 = 00 10

Dato 02 = TV terrestre análoga = 00

Resultado = **ma 00 00 0a 00**

## 2. Sintonice el canal terrestre digital (DVB-T) 01.

ID del televisor = todo = 00

Dato 00 y 01 = datos de canales 1 = 00 01

Dato 02 = TV terrestre digital = 10

Resultado = **ma 00 00 01 10**

## 3. Sintonice el canal satelital (DVB-S) 1000.

ID del televisor = todo = 00

Dato 00 y 01 = datos de canales 1000 = 03 E8

Dato 02 = TV digital satelital = 40

Resultado = **ma 00 03 E8 40**

Confirmación [a][ ][ID del televisor][ ][OK][Dato 00]  
[Dato 01][Dato 02][x][a][ ][ID del televisor][ ][NG]  
[Data 00][x]

- Para los modelos de Corea del Sur, América del Norte, América Latina excepto Colombia.

► Para sintonizar los canales en el siguiente número físico/mayor/menor.

Transmisión [m][a][ ][0][ ][Dato00][ ][Dato01]  
[ ][Dato02][ ][Dato03][ ][Dato04][ ][Dato05][Cr]

Los canales digitales poseen un número de canal físico, mayor y menor. El número físico es el número de canal digital real, el mayor es el número al cual el canal se debe asignar y el menor es el subcanal. Como el sintonizador ATSC asigna automáticamente el canal al número mayor/menor, cuando se envía un comando en modo Digital, no es necesario especificar el número físico.

\* Terrestre análoga/por cable

Dato 00 : número de canal físico

- terrestre (ATV) : 02~45 (decimal: 2 ~ 69)

- por cable (CATV) : 01, 0E~7D (decimal : 1, 14~125)

Dato 01 y 04: número de canal mayor/menor

Dato 01 y 02: xx (no importa)

Dato 03 y 04: xx (no importa)

Dato 05: fuente de entrada (análoga)

- 00: TV terrestre (ATV)

- 01: TV por cable (CATV)

\* Terrestre digital/por cable

Dato 00: xx (no importa)

[Dato 01][Dato 02]: número de canal mayor

Dato 01: dato de canal de bytes altos

Dato 02: dato de canal de byte bajos

- 00 01 ~ 27 0F (decimal: 1 ~ 9999)

[Dato 03][Dato 04]: número de canal menor

Dato 03: dato de canal de bytes altos

Dato 04: dato de canal de byte bajos

Dato 05: fuente de entrada (digital)

- 02: Terrestrial TV (TV terrestre) (DTV): Use un número de canal físico

- 06: Cable TV (TV por cable) (CADTV): Use un número de canal físico

- 22: Terrestrial TV (TV terrestre) (DTV): No use un número de canal físico

- 26: Cable TV (TV por cable) (CADTV): No use un número de canal físico

- 46 : TV cable (CADTV): usa solo número de canal mayor (canal de una parte)

Hay dos bytes disponibles para cada dato de canal mayor y menor, pero generalmente, solo se usa el byte más bajo (segundo) (los bytes altos son de 0).

\* Ejemplos de comandos de sintonización:

1. Sintonice el canal de cable analógico (NTSC) 35.

ID del televisor = todo = 00  
 Dato 00 = datos de canales 35 = 23  
 Dato 01 y 02 = sin mayor = 00 00  
 Dato 03 y 04 = sin mayor = 00 00  
 Dato 05 = TV terrestre por cable analógica = 01  
 Total = **ma 00 23 00 00 00 01**

2. Sintonice el canal terrestre digital (ATSC) 30-3.

ID del televisor = todo = 00  
 Dato 00 = físico desconocido = 00  
 Dato 01 y 02 = mayor es 30 = 00 1E  
 Dato 03 y 04 = menor es 3 = 00 03  
 Dato 05 = TV terrestre digital = 22  
 Total = **ma 00 00 00 1E 00 03 22**

Confirmación [a][ ][ID del televisor][ ][OK][Dato 00]  
 [Dato 01][Dato 02][Dato 03][Dato 04]  
 [Dato 05][x][a][ ][ID del televisor][ ][NG][Dato 00][x]

• Para el modelo de Japón

► Para sintonizar los canales en el siguiente número físico/mayor/menor.

Transmisión [m][a][ ][0][ ][Dato00][ ][Dato01]  
 [ ][Dato02][ ][Dato03][ ][Dato04][ ][Dato05][Cr]

\* Terrestre digital/por cable/satelital

Dato 00: xx (no importa)

[Dato 01][Dato 02]: número de canal mayor

Dato 01: dato de canal de bytes altos

Dato 02: dato de canal de byte bajos  
 - 00 01 ~ 27 0F (decimal: 1 ~ 9999)

[Dato 03][Dato 04]: número de canal menor/derivado  
 (no importa en TV satelital)

Dato 03: dato de canal de bytes altos

Dato 04: dato de canal de byte bajos

Dato 05 : fuente de entrada (digital/satelital para Japón)

- 02: TV terrestre (DTV)
- 07: BS (satélite de transmisión)
- 08: CS1 (satélite de comunicación 1)
- 09: CS2 (satélite de comunicación 2)

\* Ejemplos de comandos de sintonización:

1. Sintonice el canal terrestre digital (ISDB-T) 17-1.

ID del televisor = todo = 00  
 Dato 00 = físico desconocido = 00  
 Dato 01 y 02 = mayor es 17 = 00 11  
 Dato 03 y 04 = menor/derivado es 1 = 00 01  
 Dato 05 = TV terrestre = 02  
 Total = **ma 00 00 00 11 00 01 02**

2. Sintonice el canal de satélite de transmisión (BS) 30.

ID del televisor = todo = 00  
 Dato 00 = físico desconocido = 00  
 Dato 01 y 02 = mayor es 30 = 00 1E  
 Dato 03 y 04 = no importa = 00 00  
 Data 05 = TV satelital de BS = 07  
 Total = **ma 00 00 00 1E 00 00 07**

\* Esta función varía según el modelo.

Confirmación [a][ ][ID del televisor][ ][OK][Dato 00]  
 [Dato 01][Dato 02][Dato 03][Dato 04] [Dato 05]  
 [x][a][ ][ID del televisor][ ][NG][Dato 00][x]

18. Agr/Borr (Agregar/Borrar) canal (Programa)

► Para saltar el canal actual (programa) para otra ocasión.

Transmisión [m][b][ ][ID del televisor][ ][Dato][Cr]

Dato 00 : Borrar (ATSC, ISDB)/Saltar 01 : Agregar (DVB)

Confirmación [b][ ][ID del televisor][ ][OK/NG]  
 [Dato][x]

\* Establecer el estado del canal guardado como borrar (ATSC, ISDB)/saltar (DVB) o agregar.

19. Tecla (comando: m c)

► Para enviar el código de la tecla remota IR.

Transmisión [m][c][ ][ID del televisor][ ][Dato][Cr]

Dato código de tecla - Consulte la pág.2.

Confirmación [c][ ][ID del televisor][ ][OK/NG]  
 [Dato][x]

20. Control de luz de pantalla (comando: m g)

• Para TV LCD/TV LED

► Para controlar luz de pantalla.

Transmisión [m][g][ ][ID del televisor][ ][Dato][Cr]

Dato Mín. : 00 a Máx. : 64

Confirmación [g][ ][ID del televisor][ ][OK/NG]  
 [Dato][x]

Luz del panel de control (comando: m g)

• Para Plasma TV

► Para controlar la luz del panel

Transmisión [m][g][ ][ID del televisor][ ][Dato][Cr]

Dato Mín : 00 a Máx.: 64

Confirmación [g][ ][ID del televisor][ ][OK/NG]  
 [Dato][x]

21. Selección de entrada (comando: x b)  
 (Entrada de imagen principal)

► Para seleccionar la fuente de entrada para la imagen principal.

Transmisión [x][b][ ][ID del televisor][ ][Dato][Cr]

Datos

- 00 : DTV
- 02 : DTV satelital
- 03 : ISDB-CS1 (Japón)
- 04 : ISDB-CS2 (Japón)
- 11 : CATV
- 01 : CADTV
- 10 : ATV

- 20 : AV o AV1
- 40 : Component1
- 90 : HDMI1
- 92 : HDMI3
- 21 : AV2
- 41 : Component2
- 91 : HDMI2
- 93 : HDMI4

Confirmación [b][ ][ID del televisor][ ][OK/NG]  
[Dato][x]

\* Esta función varía según el modelo y la señal.

22. 3D (comando: x t) (solo en modelos 3D)  
(según el modelo)

► Para cambiar el modo 3D del TV.

Transmisión [x][t][ ][ID del televisor][ ][Dato 00][ ]  
[Dato 01][ ][Dato 02][ ][Dato 03][Cr]

Dato estructura

- [Dato 00] 00 : 3D activado
- 01 : 3D apagado
- 02 : 3D a 2D
- 03 : 2D a 3D
- [Dato 01] 00 : parte superior e inferior
- 01 : lado a lado
- 02 : tablero de damas
- 03 : secuencial de marco
- 04 : intercalación de columnas
- 05 : intercalación de filas
- [Dato 02] 00 : derecha a izquierda
- 01 : izquierda a derecha
- [Dato 03] efecto 3D (profundidad 3D): Mín.: 00 - Máx.: 14  
(\*transmitir por código hexadecimal)

- \* Si [Dato 00] es 00 (3D activado), [Dato 03] no es relevante.
- \* Si [Dato 00] es 01 (3D apagado) o 02 (3D a 2D), [Dato 01], [Dato 02] y [Dato 03] no son relevantes.
- \* Si [Dato 00] es 03(2D a 3D), [Dato 01] y [Dato 02] no son relevantes.
- \* Es posible que todas las opciones del patrón de 3D ([Dato 01]) no estén disponibles según la transmisión/señal de video.

[Dato 00]	[Dato 01]	[Dato 02]	[Dato 03]
00	O	O	X
01	X	X	X
02	X	X	X
03	X	X	O

X : sin importancia

Confirmación [t][ ][ID del televisor][ ][OK][Dato00]  
[Dato01][Dato02][Dato03][x]  
[t][ ][ID del televisor][ ][NG][Dato00][x]

23. 3D extendida++(comando: x v) (solo en modelos con 3D) (según el modelo)

► Para cambiar la opción 3D del televisor.

Transmisión [x][v][ ][ID del televisor][ ][Dato 00][ ]  
[Dato 01][Cr]

- [Dato 00] opción 3D
- 00 : corrección de imagen en 3D
- 01 : profundidad 3D (solo modo 3D manual)
- 02 : Visualización 3D
- 06 : corrección de color en 3D
- 07 : zoom de sonido 3D
- 08 : vista de imagen normal
- 09 : MODO DE SINTONIZACIÓN EN 3D

[Dato 01] cuenta con su propio rango para cada opción en 3D según [Dato 00].

- 1) Cuando [Dato 00] es 00
- 00 : derecha a izquierda
- 01 : izquierda a derecha
- 2) Cuando [Dato 00] es 01, 02
- Dato Mín.: 0 - Máx.: 14 (\*transmitir por código hexadecimal)
- El rango de valores de datos (0 - 20) convierte el rango de visión (-10 - +10) de forma automática (según el modelo)
- 3) Cuando [Dato 00] es 06, 07, 08
- 00 : apagado
- 01 : encendido
- 4) Cuando [Dato 00] es 09
- 00 : estándar
- 02 : cine
- 04 : manual
- 01 : deporte
- 03 : extremo

Confirmación [v][ ][ID del televisor][ ][OK]  
[Dato00][Dato01][x][v][ ][ID del televisor][ ][NG]  
[Dato00][x]

