



OWNER'S MANUAL

NEW TYPE CYCLONE VACUUM CLEANER

This information contains important instructions for the safe use and maintenance of the vacuum cleaner. Especially, please read all of the information on page 3, 4, 5 for your safety. Please keep this manual in an easily accessible place and refer to it anytime.

VB-7520HRF
VB-7520HTS



MFL68000013

www.lg.com

Table of contents

Important safety instructions	3~5
How to use	6~15
Assembling vacuum cleaner	6
Operating vacuum cleaner	8
Using carpet and floor nozzle / Suction Hole for device protection	9
Using 2 in 1 nozzle	10
Using accessory nozzles	11
Emptying dust tank	12
Cleaning dust tank	13
Cleaning dust separator	14
Cleaning exhaust filter	15
What to do if your vacuum cleaner does not work	16
What to do when suction power decreases	16

IMPORTANT SAFETY INSTRUCTIONS

Read and follow all instructions before using your vacuum cleaner to prevent the risk of fire, electric shock, personal injury, or damage when using the vacuum cleaner. This guide do not cover all possible conditions that may occur. Always contact your service agent or manufacturer about problems that you do not understand. This appliance complies with the following EC Directives :-2006/95/EC Low Voltage Directive -2004/108/EC EMC Directive.



This is the safety alert symbol.

This symbol alerts you to potential hazards that can kill or hurt you and others.

All safety messages will follow the safety alert symbol and either the word "WARNING" or "CAUTION."

These words mean:



WARNING

This symbol will alert you to hazards or unsafe practices which could cause serious bodily harm or death.



CAUTION

This symbol will alert you to hazards or unsafe practices which could cause bodily injury or property damage.



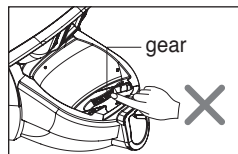
WARNING

1. This appliance is not intended for use by persons (including children) with reduced physical, sensory or mental capabilities, or lack of experience and knowledge, unless they have been given supervision or instruction concerning use of the appliance by a person responsible for their safety.
2. Children should be supervised to ensure that they do not play with the appliance.
3. If the supply cord is damaged, it must be replaced by LG Electronics Service Agent in order to avoid a hazard
4. This appliance can be used by children aged from 8 years and above and persons with reduced physical, sensory or mental capabilities or lack of experience and knowledge if they have been given supervision or instruction concerning use of the appliance in a safe way and understand the hazards involved. Children shall not play with the appliance. Cleaning and user maintenance shall not be made by children without supervision.

IMPORTANT SAFETY INSTRUCTIONS

WARNING

- **Do not plug in if control knob is not in OFF position.**
Personal injury or product damage could result.
- **Keep children away and beware of obstructions when rewinding the cord to prevent personal injury**
The cord moves rapidly when rewinding.
- **Disconnect electrical supply before servicing or cleaning the unit or when cleaner is not in use.**
Failure to do so could result in electrical shock or personal injury.
- **Do not use vacuum cleaner to pick up anything that is burning or smoking such as cigarettes, or hot ashes.**
Doing so could result in death, fire or electrical shock.
- **Do not vacuum flammable or explosive substances such as gasoline, benzene, thinners, propane (liquids or gases).**
The fumes from these substances can create a fire hazard or explosion. Doing so could result in death or personal injury.
- **Do not handle plug or vacuum cleaner with wet hands.**
Doing so could result in death or electrical shock.
- **Do not unplug by pulling on cord.**
Doing so could result in product damage or electrical shock. To unplug, grasp the plug, not the cord.
- **Keep hair, loose clothing, fingers, and all parts of the body away from openings and moving parts.**
Failure to do so could result in electrical shock or personal injury.
- **Do not pull or carry by cord, use cord as a handle, close a door on cord, or pull cord around sharp edges or corners. Do not run vacuum cleaner over cord. Keep cord away from heated surfaces.**
Failure to do so could result in electrical shock or personal injury or fire or product damage.
- **The hose contains electrical wires. Do not use it if it is damaged, cut punctured.**
Failure to do so could result in death, or electrical shock.
- **Do not allow to be used as toy. Close attention is necessary when used by or near children.**
Personal injury or product damage could result.
- **Do not use the vacuum cleaner if the power cord or plug is damaged or faulty.**
Personal injury or product damage could result. In these cases, contact LG Electronics Service Agent to avoid hazard.
- **Do not use vacuum cleaner if it has been under water.**
Personal injury or product damage could result. In these cases, contact LG Electronics Service Agent to avoid hazard.
- **Do not continue to vacuum if any parts appear missing or damaged.**
Personal injury or product damage could result. In these cases, contact LG Electronics Service Agent to avoid hazard.
- **Do not use an extension cord with this vacuum cleaner.**
Fire hazard or product damage could result.
- **Using proper voltage.**
Using improper voltage may result in damage to the motor and possible injury to the user. Proper voltage is listed on the bottom of vacuum cleaner.
- **Turn off all controls before unplugging.**
Failure to do so could result in electrical shock or personal injury.
- **Do not change the plug in any way.**
Failure to do so could result in electrical shock or personal injury or product damage. Doing so result in death. If plug does not fit, contact a qualified electrician to install the proper outlet.
If the supply cord is damaged, it must be replaced by the manufacturer, its service agent or similarly qualified persons in order to avoid a hazard.
- **Repairs to electrical appliances may only be performed by qualified service engineers.**
Improper repairs may lead to serious hazards for the user.
- **Do not put fingers near the gear.**
Failure to do so could result in personal injury.



IMPORTANT SAFETY INSTRUCTIONS

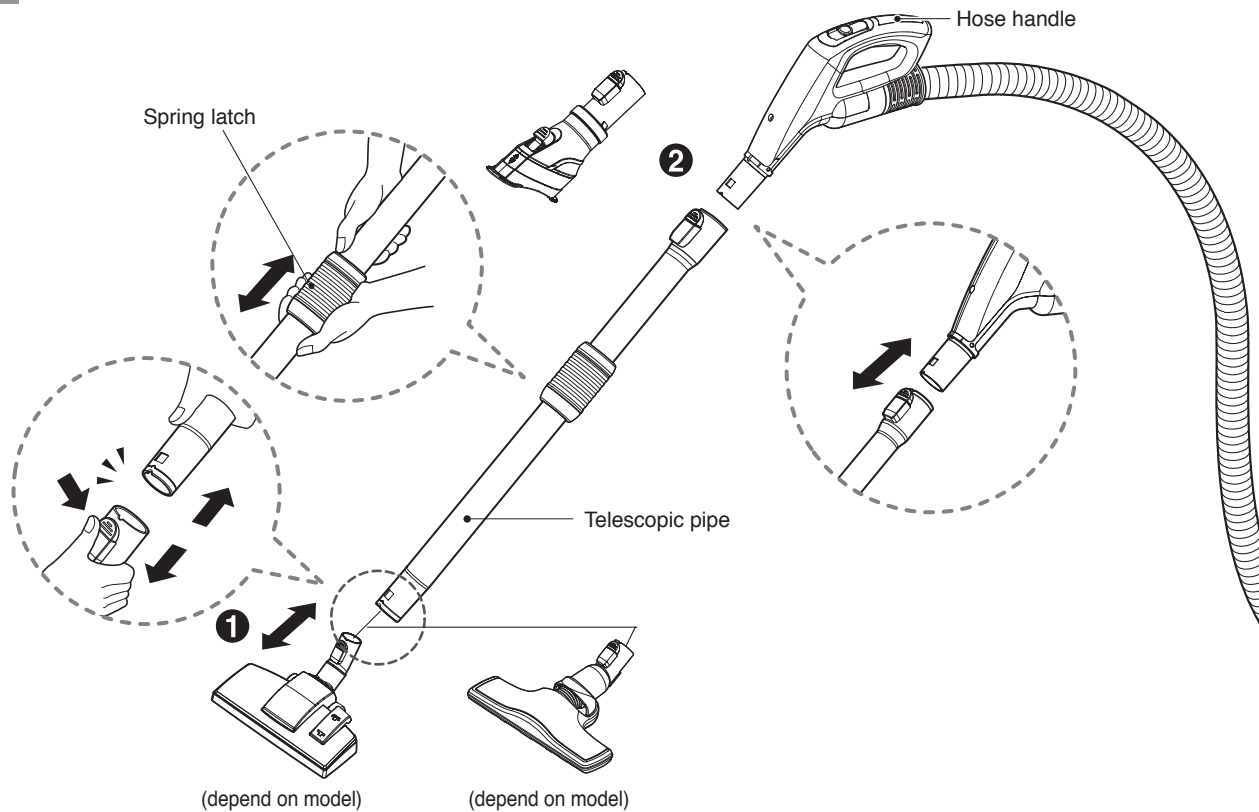
CAUTION

- **Do not put any objects into openings.**
Failure to do so could result in product damage.
- **Do not use with any opening blocked: keep free of dust, lint, hair, and anything that may reduce air flow.**
Failure to do so could result in product damage.
- **Do not use vacuum cleaner without the dust tank and/or filters in place.**
Failure to do so could result in product damage.
- **Always clean the dust bin after vacuuming carpet cleaners or fresheners, powders and fine dust.**
These products clog the filters, reduce airflow and can cause damage to the cleaner. Failure to clean the dust bin could cause permanent damage to the cleaner.
- **Do not use vacuum cleaner to pick up sharp hard objects, small toys, pins, paper clips, etc.**
They may damage the cleaner or dust bin.
- **Store the vacuum cleaner indoors.**
Put the vacuum cleaner away after use to prevent tripping over it.
- **The vacuum cleaner is not intended to use by young children or infirm people without supervision.**
Failure to do so could result in personal injury or product damage.
- **Only use parts produced or recommended by LG Electronics Service Agents.**
Failure to do so could result in product damage.
- **Use only as described in this manual. Use only with LG recommended or approved attachments and accessories.**
Failure to do so could result in personal injury or product damage.
- **To avoid personal injury and to prevent the machine from falling when cleaning stairs, always place it at the bottom of stairs.**
Failure to do so could result in personal injury or product damage.
- **Use accessory nozzles in sofa mode.**
Failure to do so could result in product damage.
- **Don't grasp the tank handle when you are moving the vacuum cleaner.**
The vacuum cleaner's body may fall when separating tank and body. Personal injury or product damage could result. You should grasp the carrier handle when you are moving the vacuum cleaner. (Page 12)
- **Make sure the filters (exhaust filter and motor safety filter) are completely dry before replacing in the machine.**
Failure to do so could result in product damage.
- **Do not dry the filter in an oven or microwave.**
Failure to do so could result in fire hazard.
- **Do not dry the filter in a clothes dryer.**
Failure to do so could result in fire hazard.
- **Do not dry near an open flame.**
Failure to do so could result in fire hazard.
- **Do not use filters that is not dried.**
- **If the power cord is damaged, it must be replaced by an approved LG Electronics Service Agent to avoid a hazard.**
- **This appliance is not intended for use by persons (including children) with reduced physical, sensory or mental capabilities, or lack of experience and knowledge, unless they have been given supervision or instruction concerning use of the appliance by a person responsible for their safety.**
Children should be supervised to ensure that they do not play with the appliance.

Thermal protector :

This vacuum cleaner has a special thermostat that protects the vacuum cleaner in case of motor overheating. If the vacuum cleaner suddenly shuts off, turn off the switch and unplug the vacuum cleaner. Check the vacuum cleaner for possible source of overheating such as a full dust tank, a blocked hose or clogged filter. If these conditions are found, fix them and wait at least 30 minutes before attempting to use the vacuum cleaner. After the 30 minute period, plug the vacuum cleaner back in and turn on the switch. If the vacuum cleaner still does not run, contact a qualified electrician.

How to use Assembling vacuum cleaner

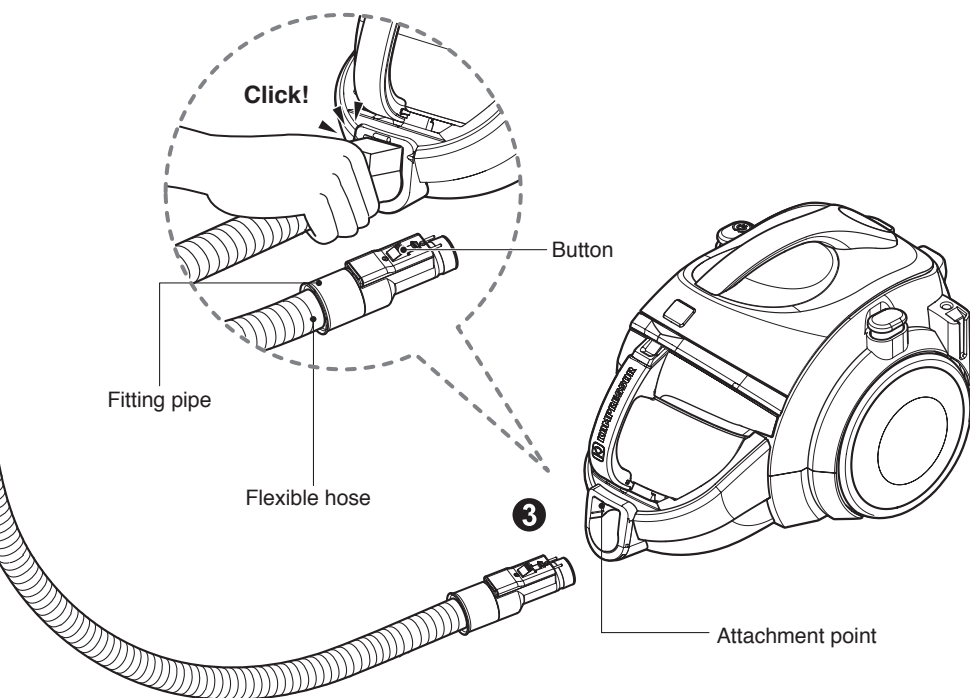


1 Carpet and floor nozzle

Push the telescopic pipe into the nozzle.

2 Telescopic pipe

- Push the hose handle firmly into the telescopic pipe.
- Grasp the spring latch to expand.
- Pull out the pipe to desired length.

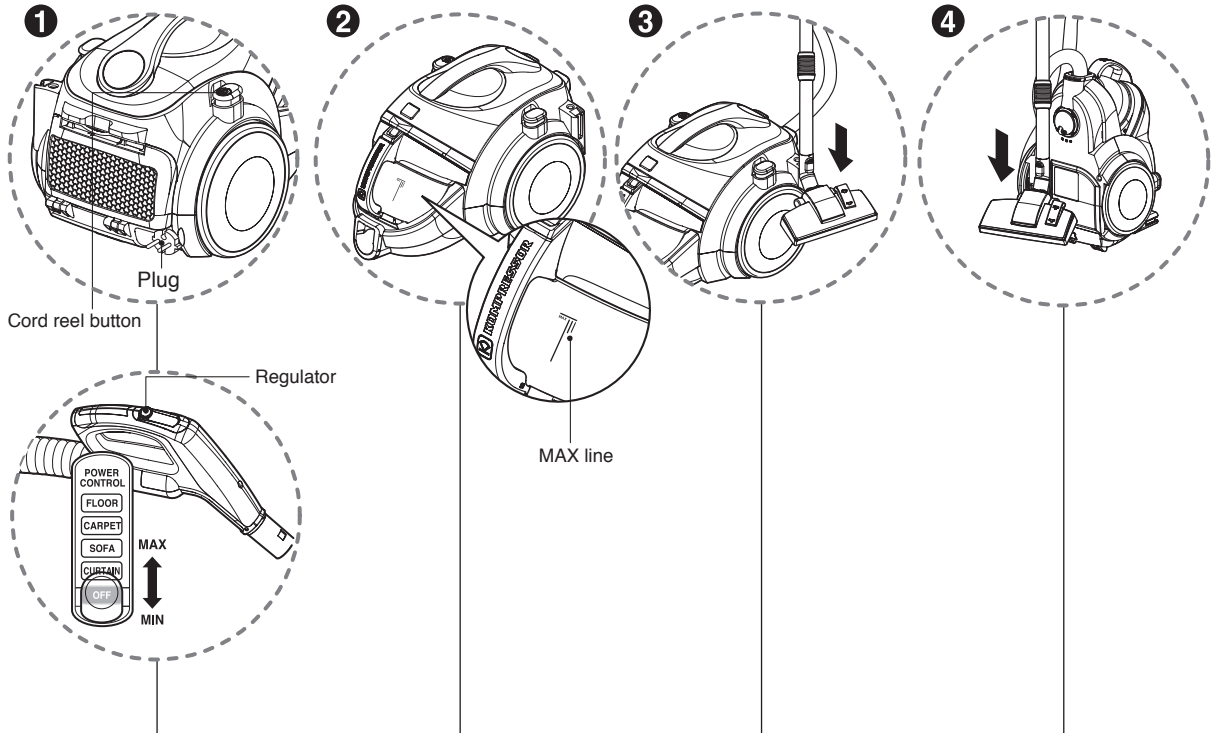


3 Connecting the hose to the vacuum cleaner

Push the fitting pipe on the flexible hose into the attachment point on the vacuum cleaner.

To remove the flexible hose from the vacuum cleaner, press the button situated on the fitting pipe, then pull the fitting pipe out of the vacuum cleaner.

How to use Operating vacuum cleaner



1 How to operate

- Pull out the power cord to the desired length and plug into the socket.
- Place the control knob of the hose handle to the required position.
- To turn off, slide control knob to OFF position.
- Press the cord reel button to rewind the power cord after use.

2 Emptying the dust tank

- Always empty the dust tank when the dust tank level reaches the MAX line.

3 Park mode

- To store during vacuuming, for example to move a small piece of furniture or a rug, use park mode to support the flexible hose and nozzle.
- Slide the hook on the nozzle into the slot on the side of vacuum cleaner.

4 Storage

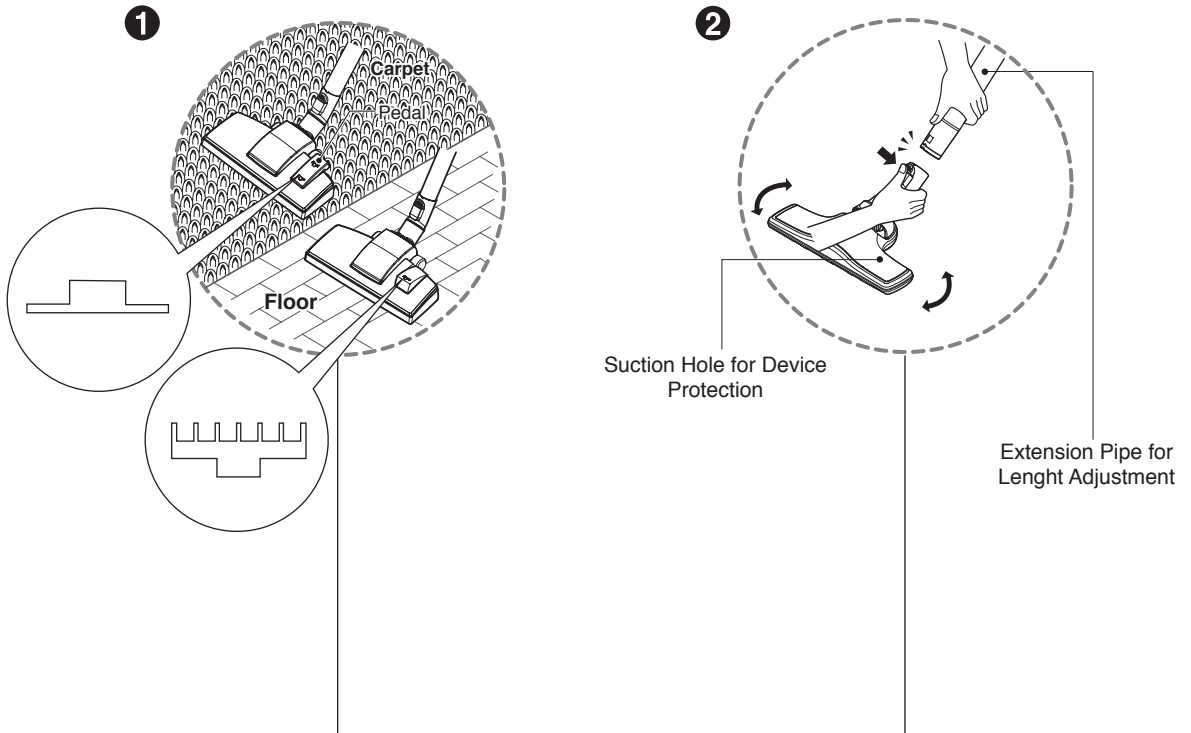
- When you have switched off and unplugged the vacuum cleaner, press the cord reel button to automatically rewind the cord.
- You can store your vacuum cleaner in a vertical position by sliding the hook on the nozzle into the slot on the underside of the vacuum cleaner.

⚠ WARNING

No liquid suction.
Liquid suction can cause defects.

How to use

Using carpet and floor nozzle / Suction Hole for device protection



1 Carpet and floor nozzle(depend on model)

2 Suction hole for device protection(depend on model)

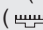
• The 2 position nozzle

This is equipped with a pedal which allows you to alter its position according to the type of floor to be cleaned.

• Carpet or rug position

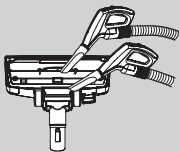
Press the pedal () to lower brush.

• Hard floor position (tiles, parquets floor)

Press the pedal () to lift the brush up.

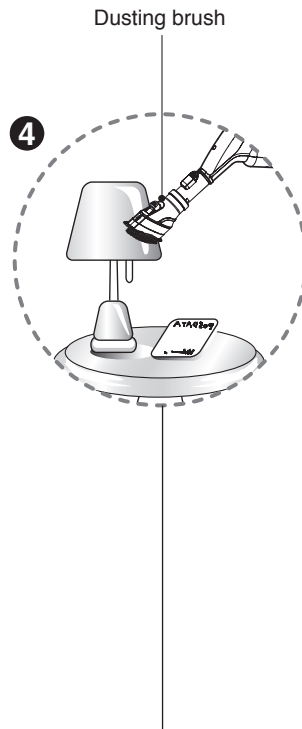
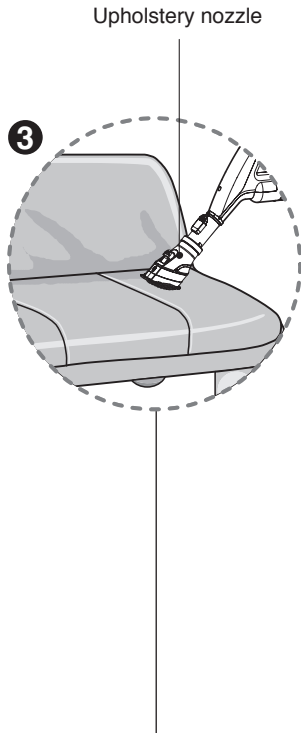
• You can perform cleaning at any place like corner or crevice since revolution of the suction hole is free.

• Cleaning carpet and floor nozzle



• Clean the hole and the brush of the nozzle.

How to use Using 2 in 1 nozzle



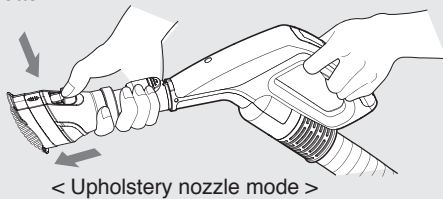
3 Upholstery nozzle(depend on model)

Upholstery nozzle is for vacuuming upholstery, mattresses etc.

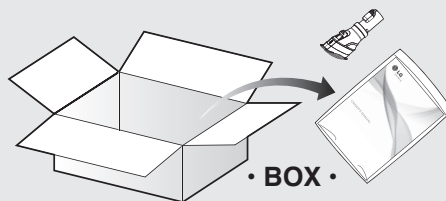
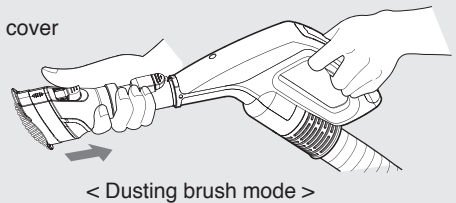
4 Dusting brush(depend on model)

Dusting brush is for vacuuming picture frames, furniture frames, books and other irregular surfaces.

Push the button



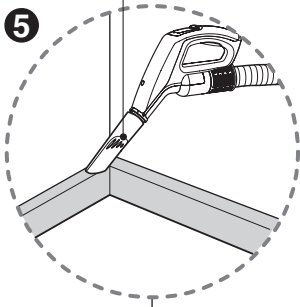
Pull the cover



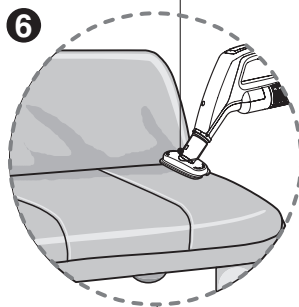
• 2 in 1 nozzle included in the "BOX" with owner's manual(depend on model)

How to use Using accessory nozzles

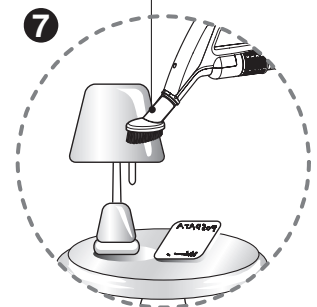
Crevice tool



Upholstery nozzle



Dusting brush



5 Crevice tool(depend on model) **6** Upholstery nozzle(depend on model) **7** Dusting brush(depend on model)

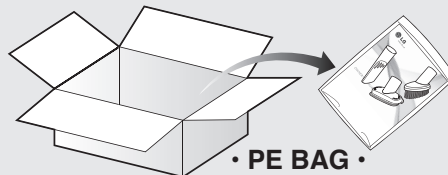
Crevice tool is for vacuuming in those normally hard-to-reach place such as reaching cobwebs or between the cushions of sofa.

Upholstery nozzle is for vacuuming upholstery, mattresses etc. The thread collectors help to pick up the threads and fluff.

Dusting brush is for vacuuming picture frames, furniture frames, books and other irregular surfaces.

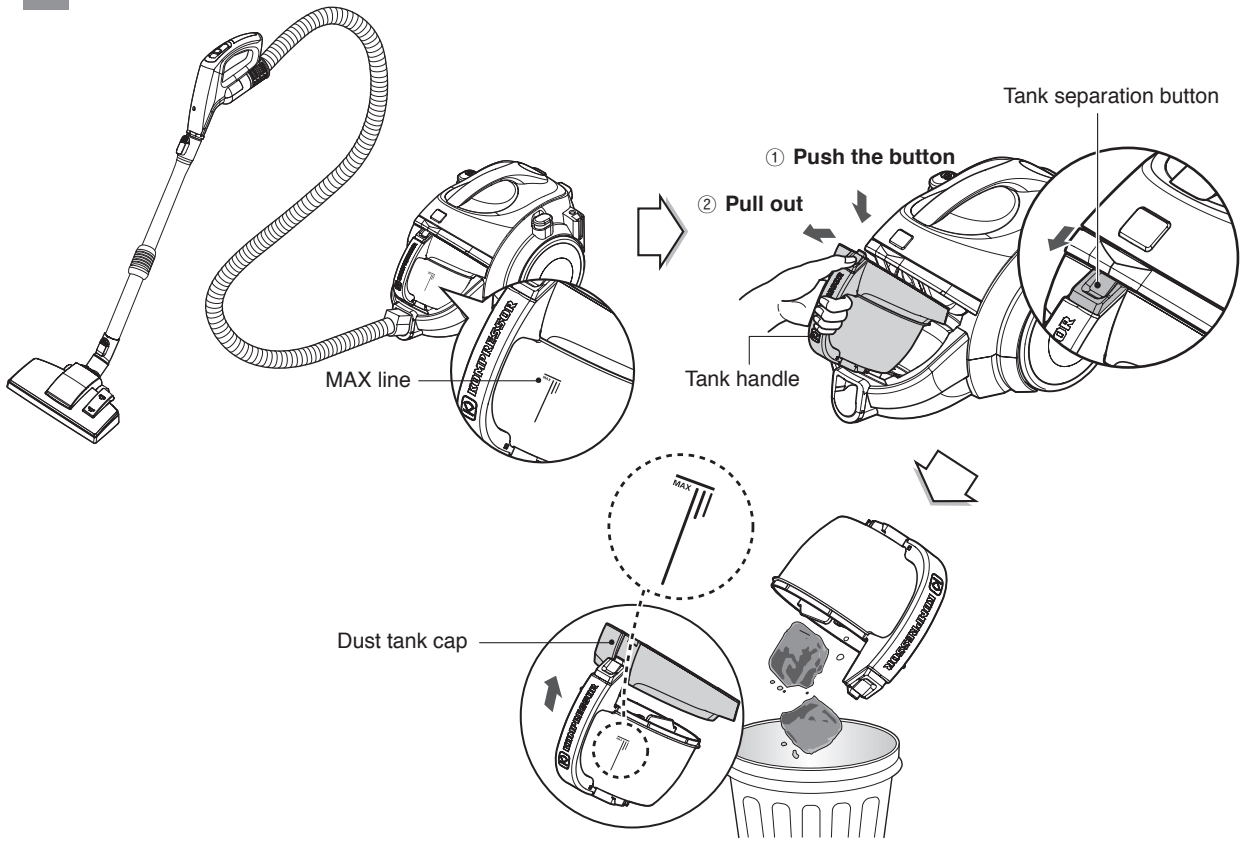
NOTICE

Use accessory in the sofa mode.



• Accessory nozzles included in the "PE BAG" with owner's manual (depend on model)

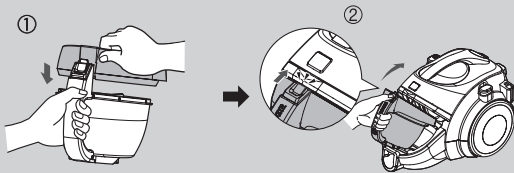
How to use Emptying dust tank



The dust tank needs emptying when the dust tank level reaches the MAX line.

- Turn off the vacuum cleaner and unplug it.
- Grasp the handle of the tank and then press the tank separation button.
- Pull out the dust tank.
- Empty the tank and then assemble the dust tank as shown.

Assembling the dust tank



NOTICE

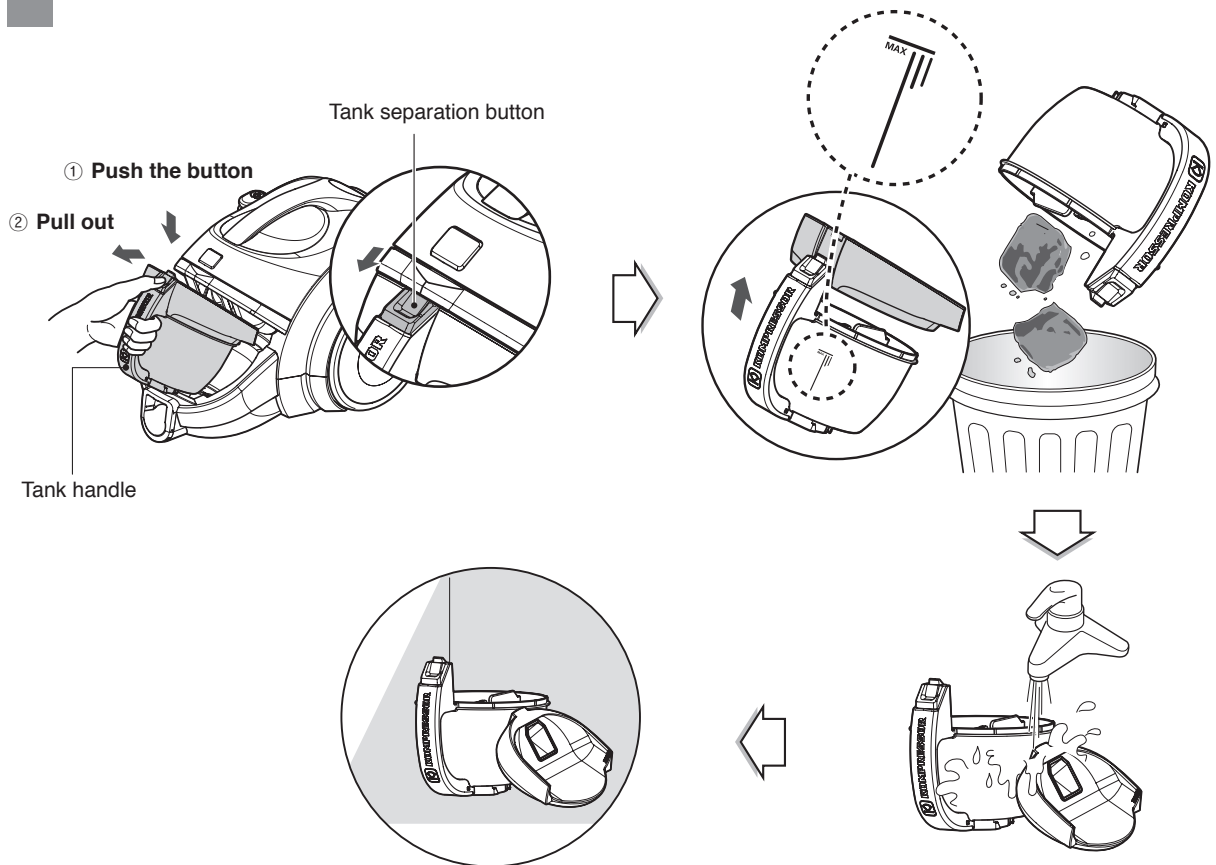
- If suction power decreases after emptying the dust tank, clean the dust tank → next page

Moving the vacuum cleaner

- Don't grasp the tank handle when you are moving the vacuum cleaner. The vacuum cleaner's body may fall when separating tank and body. You should grasp the carrier handle when you are moving the vacuum cleaner.



How to use Cleaning dust tank



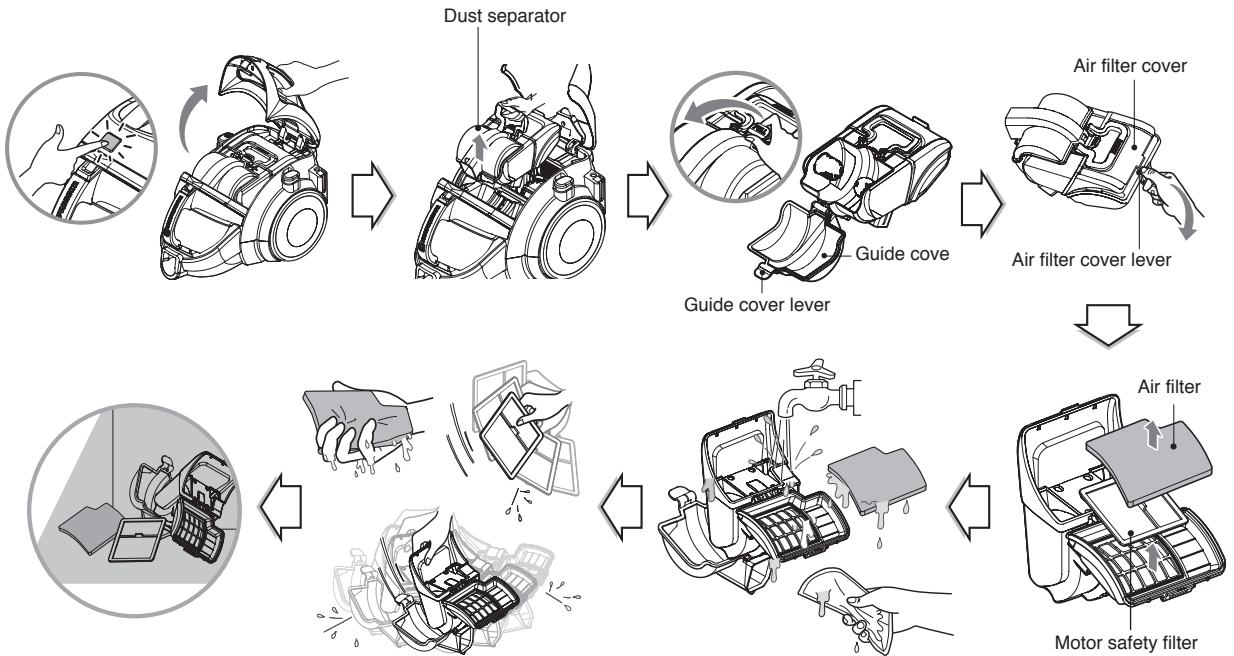
- Press tank separation button and pull out the dust tank.
- Raise the dust tank cap.
- Wash the dust tank.
- Dry fully in shade so that moisture is entirely removed.

NOTICE

If suction power decreases after cleaning the dust tank, clean the air filter and the motor safety filter. ➔ Next page

How to use

Cleaning dust separator - Inside of dust separator, air filter, motor safety filter



The air filter and the motor safety filter are located on the top of the vacuum cleaner as above the figure.

- Open the vacuum cleaner cover by pushing the button.
- Grasp the handle of the dust separator and take out it.
- Open the guide cover by pulling the guide cover lever and remove the dust.
- Open the air filter cover by pushing the air filter cover lever and take out the air filter.
- Separate the motor safety filter from the dust separator.
- Wash the air filter and the motor safety filter.
- Do not wash filters with hot water.
- Dry fully in shade so that moisture is entirely removed.
- The air filter and the motor safety filter should be cleaned as above the figure.

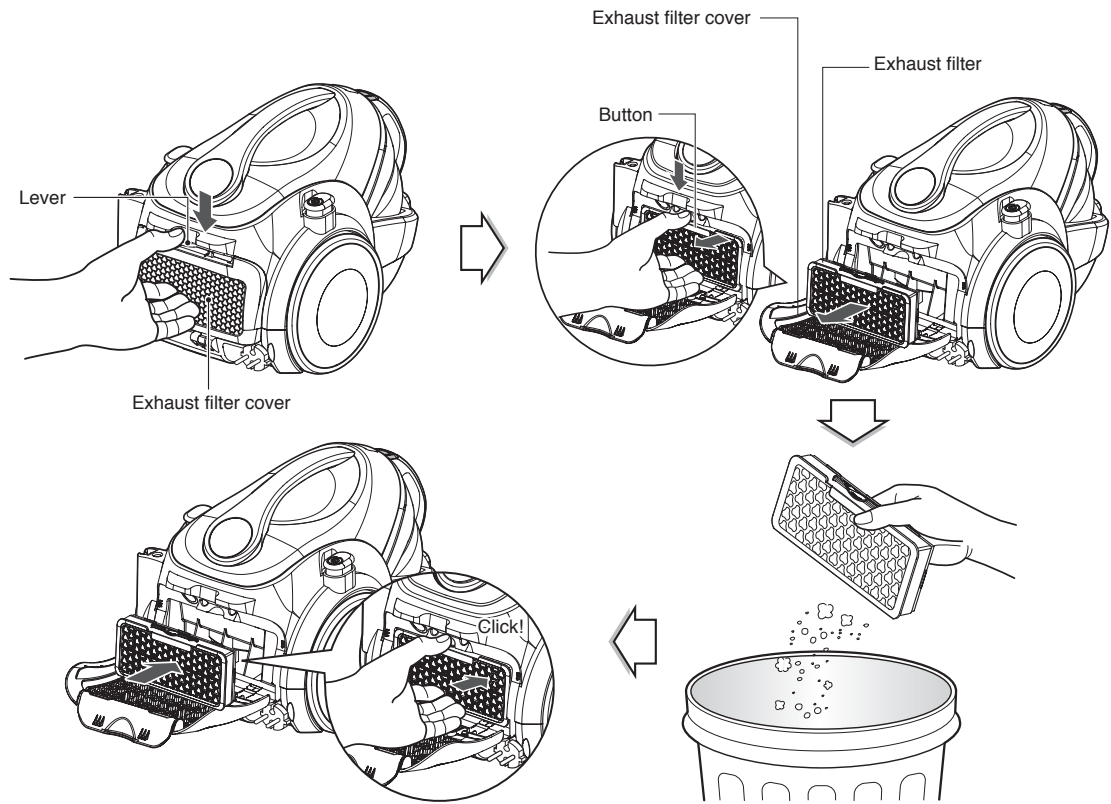
WARNING

Dry fully for more than 24 hours in shade.

NOTICE

**If filters are damaged, do not use them.
In this cases, contact LG Electronics Service Agent.
Wash filters at least Once a month.**

How to use Cleaning exhaust filter



- The exhaust filter is a reuseable filter.
- To clean the exhaust filter, open the exhaust filter cover by pushing the button.
- Separate the exhaust filter by pushing the lever.
- Dust off the exhaust filter. (Do not wash the exhaust filter with water.)
- Insert the exhaust filter lugs into the grooves of the motor housing and push the exhaust filter.
- The exhaust filter should be cleaned at least a year.

What to do if your vacuum cleaner does not work

Check that the vacuum cleaner is plugged in correctly and that the electrical socket is working.

What to do when suction power decreases

- Turn off the vacuum cleaner and unplug it.
- Check the telescopic pipe, flexible hose and cleaning tool for blockages or obstructions.
- Check that the dust tank is not full. Empty if necessary.
- Check that the exhaust filter is not clogged. Clean the exhaust filter if necessary.
- Check that the air filter and the motor safety filter are not clogged. Clean them if necessary.
- Check the inside of the dust separator. Clean the inside of the dust separator if necessary.



Disposal of your old appliance

1. When this crossed-out wheeled bin symbol is attached to a product it means the product is covered by the European Directive 2002/96/EC.
2. All electrical and electronic products should be disposed of separately from the municipal waste stream via designated collection facilities appointed by the government or the local authorities.
3. The correct disposal of your old appliance will help prevent potential negative consequences for the environment and human health.
4. For more detailed information about disposal of your old appliance, please contact your city office, waste disposal service or the shop where you purchased the product.

راهنمای مصرف کنندگان نوع جدید جارو برقی سایکلون

این راهنمای مصرف کنندگان، حاوی دستورالعمل های مهم در خصوص استفاده ایمن و همچنین نحوه نگه داری دستگاه جارو برقی می باشد.
خصوصاً کلیه اطلاعات صفحات 3 و 4 و 5 را جهت تامین ایمنی کامل مطالعه فرمایید.
لطفاً این راهنما را همیشه در دسترس قرار داده و در زمان نیاز به آن مراجعه کنید.

VB-7520HRF
VB-7520HTS



دستورالعمل های مهم ایمنی	۳-۵
روش استفاده	۶-۱۵
روش اتصال اجزای دستگاه جاروبرقی	۶
روش کارکرد از جاروبرقی	۸
استفاده از نازل فرش و کفپوش / روزنه مکش برای محافظت دستگاه	۹
روش استفاده از سری تمیز کننده دو کاره	۱۰
روش استفاده از نازل های جانبی	۱۱
روش تخلیه محفظه آشغال	۱۲
روش تمیز کردن محفظه آشغال	۱۳
روش تمیز کردن جدا ساز آشغال	۱۴
روش تمیز کردن فیلتر هوا و فیلتر ایمنی موتور	۱۵
در زمان کار نکردن دستگاه جاروبرقی ، چه کارهایی باید انجام داد	۱۶
در زمان کاهش کارائی مکش ، چه کارهایی باید انجام داد	۱۶

دستورالعمل های مهم ایمنی

بمنظور جلوگیری از خطرات آتش سوزی، برق گرفتگی، بروز جراحت و یا آسیب دیدگی دستگاه جاروبرقی در هنگام استفاده، این راهنما را قبل از مورد استفاده قرار دادن دستگاه، مطالعه و دستورالعمل های آن را مورد دقت قرار دهید. این دفترچه راهنما شامل کلیه شرایط احتمالی پیش آمده نمی باشد. همیشه در برخورد با ایراداتی که در مورد آنها آگاهی ندارید، با نماینده سرویس و یا کارخانه سازنده تماس حاصل فرمائید. این دستگاه بر اساس قوانین و استانداردهای زیر ساخته شده است. این دستگاه مطابق با قوانین EC Directives: 2006/95/EC Low Voltage Directive 2004/108/EC EMC Directive است.

این سمبل نشاندهنده هشدار ایمنی می باشد.

این سمبل به شما درخصوص خطرات احتمالی که منجر به مرگ یا جراحت شما و دیگران می گردند، هشدار می دهد. پس از کلیه پیام های ایمنی، نشانه های هشدار ایمنی و یا کلمات "هشدار" و یا "احتیاط" خواهند آمد. معنای این کلمات بدین شرح می باشند:



این سمبل مواردی را به شما خبر می دهد که انجام آن ها خطرناک و غیر ایمن بوده و می تواند منجر به بروز سوانح جدی بدنی و یا حتی مرگ گردد.

هشدار !

این سمبل مواردی را به شما خبر می دهد که انجام آن ها خطرناک و غیر ایمن بوده و می تواند منجر به بروز جراحات بدنی و یا آسیب دیدگی دستگاه گردد.

احتیاط !

هشدار !

- این وسیله نباید توسط افرادی (شامل کودکان) استفاده شود که توانایی جسمی، ذهنی یا حسی کافی نداشته و یا فاقد تجربه و دانش می باشند، مگر اینکه تحت نظر یا راهنمایی افرادی که مسئول حفظ ایمنی آنها هستند از این وسیله استفاده کنند.
- کودکان باید تحت نظر و مراقبت باشند تا با این وسیله بازی نکنند.
- اگر سیم برق آسیب دید، باید توسط سرویسکار مجاز خدمات گلдіران تعویض شود تا باعث بروز خطر نشود.
- این وسیله باید توسط کودکان ۸ سال به بالا استفاده شود و افرادی که توانایی جسمی، ذهنی یا حسی کافی نداشته یا فاقد تجربه و دانش کافی هستند، در صورتی که در مورد استفاده از دستگاه به صورت ایمن و همراه با درک خطرات، تحت نظر یا راهنمایی باشند می توانند از دستگاه استفاده کنند. کودکان نباید با این وسیله بازی کنند. کودکان نباید بدون نظارت این دستگاه را تمیز کرده و یا تعمیر کنند.

دستورالعمل های مهم ایمنی

! هشدار

- در صورت خرابی و یا آسیب دیدگی سیم برق و یا دوشاخه، از دستگاه جاروبرقی استفاده نفرمائید.
- حاصل این عمل جراحی فردی و یا آسیب دیدگی دستگاه خواهد بود.
- در این موارد، بمنظور جلوگیری از خطر با سرویسکار مجاز خدمات گلایران تماس حاصل بفرمائید.
- در صورتیکه روی دستگاه آب ریخته باشد، از آن استفاده نکنید.
- حاصل این عمل جراحی فردی و یا آسیب دیدگی دستگاه خواهد بود.
- در این موارد، بمنظور جلوگیری از خطر با سرویسکار مجاز خدمات گلایران تماس حاصل بفرمائید.
- در صورتیکه بنظر می رسد هر کدام از قطعات دستگاه مفقود و یا معیوب است، از آن استفاده نفرمائید.
- حاصل این عمل جراحی فردی و یا آسیب دیدگی دستگاه خواهد بود.
- در این موارد، بمنظور جلوگیری از خطر با سرویسکار مجاز خدمات گلایران تماس حاصل بفرمائید.
- در موقع کارکردن با دستگاه جاروبرقی، از سیم رابط استفاده ننمائید.
- حاصل این عمل احتمال آتش سوزی یا آسیب دیدگی دستگاه خواهد بود.
- از ولتاژ مناسب استفاده شود.
- استفاده از ولتاژ نامناسب باعث خرابی موتور و امکان بروز جراحی برای فرد مصرف کننده خواهد بود. نوع ولتاژ مناسب در قسمت کف دستگاه جاروبرقی درج شده است.
- قبل از خارج کردن دوشاخه از پریز، کلیه کنترل ها را در وضعیت خاموش قرار دهید.
- عدم انجام چنین کاری باعث بروز برق گرفتگی و یا جراحی افراد خواهد شد.
- به هیچ وجه دوشاخه دستگاه را عوض نکنید.
- عدم رعایت انجام چنین کاری احتمال برق گرفتگی و یا جراحی فردی و یا آسیب دیدگی دستگاه را به همراه خواهد داشت. انجام این کار خطر مرگ را به همراه دارد، چنانچه نوع دوشاخه، مناسب پریز شما نیست، از یک متخصص برقکار مجرب کمک بخواهید تا پریز مناسب را برای شما نصب کند، در صورت آسیب دیدگی سیم برق دستگاه، می بایست نسبت به تعویض آن توسط شرکت تولید کننده، مرکز مجاز سرویس و خدمات و یا یک برقکار مجرب اقدام فرمایید تا از بروز خطر جلوگیری شود.
- انجام امور تعمیراتی بر روی دستگاه های برقی می باید صرفاً توسط مهندسين کارآمد سرویس و خدمات انجام شود.
- تعمیرات غیراصولی منجر به بروز خطرات جدی برای مصرف کننده خواهد شد.
- انگشتان خود را در مجاورت چرخ دنده قرار ندهید.
- عدم رعایت انجام چنین کاری بروز جراحی فردی را به همراه خواهد داشت.
- در صورت قرار نداشتن دکمه کنترل بر روی وضعیت خاموش، دوشاخه دستگاه را به برق وصل نکنید.
- حاصل این عمل جراحی فردی و یا آسیب دیدگی دستگاه خواهد بود.
- بمنظور جلوگیری از بروز جراحی بر افراد، در هنگام جمع کردن کابل برق به موانع موجود توجه داشته باشید و در عین حال کودکان را از دستگاه دور نگه دارید.
- حرکت کابل در هنگام جمع شدن سریع است.
- در زمانی که از دستگاه جاروبرقی استفاده نمی نمائید و یا در هنگام سرویس و تمیزکاری آن، دوشاخه را از پریز برق خارج فرمائید.
- عدم رعایت انجام چنین کاری احتمال برق گرفتگی و یا جراحی فردی را به همراه خواهد داشت.
- از دستگاه جاروبرقی برای مکش و برداشتن مواد در حال اشتعال و یا دودزا همانند سیگار روشن و یا خاکستر داغ استفاده نفرمائید.
- انجام چنین کاری احتمال خطر مرگ، آتش سوزی و یا برق گرفتگی را به همراه خواهد داشت.
- از مکش مواد اشتعال زا و یا قابل انفجار همانند گازوئیل، بنزین، تینر پروپان (بصورت مایع و یا گاز) خودداری بفرمائید.
- بخار حاصل از این مواد قابلیت ایجاد خطر آتش سوزی و یا انفجار را دارا می باشد. انجام چنین عملی امکان بروز مرگ و یا جراحی افراد را به همراه خواهد داشت.
- از تماس دستان خیس با دوشاخه یا بدنه دستگاه جاروبرقی پرهیز فرمائید.
- انجام چنین کاری احتمال خطر مرگ و یا برق گرفتگی را به همراه خواهد داشت.
- از خارج کردن دوشاخه از پریز بوسیله کشیدن سیم، خودداری شود.
- انجام چنین کاری احتمال آسیب دیدگی دستگاه و یا برق گرفتگی را به همراه خواهد داشت. جهت خارج کردن دوشاخه، خود آن و نه سیم، را محکم بگیرید.
- مو، لباس گشاد، انگشتان دست و کلیه قسمت های بدن را از منافذ و اجزای متحرک دستگاه دور نگاه دارید.
- عدم رعایت انجام چنین کاری احتمال برق گرفتگی و یا جراحی فردی را به همراه خواهد داشت.
- از کشیدن یا حمل دستگاه بوسیله سیم آن و یا استفاده از سیم بعنوان دسته خودداری شود. همچنین از بستن درب بر روی سیم و کشیده شدن سیم بر روی لبه ها و گوشه های تیز پرهیز گردد. از حرکت دادن دستگاه جارو برقی بر روی سیم آن خودداری شود. سیم را از سطوح داغ دور نگه دارید.
- عدم رعایت انجام چنین کاری احتمال برق گرفتگی و یا جراحی فردی همچنین آتش سوزی و خرابی دستگاه را به همراه خواهد داشت.
- لوله کابل حاوی سیم های برق می باشد. در هنگام آسیب دیدگی بریدگی و یا سوراخ شدن آن، از استفاده بپرهیزید.
- عدم رعایت انجام چنین کاری احتمال مرگ و یا برق گرفتگی را به همراه خواهد داشت.
- اجازه ندهید که از دستگاه بعنوان بازپچه استفاده شود. در هنگامیکه از دستگاه در نزدیکی کودکان کودکان استفاده می کنید، توجه دقیق لازم است. حاصل این عمل جراحی فردی و یا آسیب دیدگی دستگاه خواهد بود.



دستورالعمل های مهم ایمنی

⚠️ اخطار

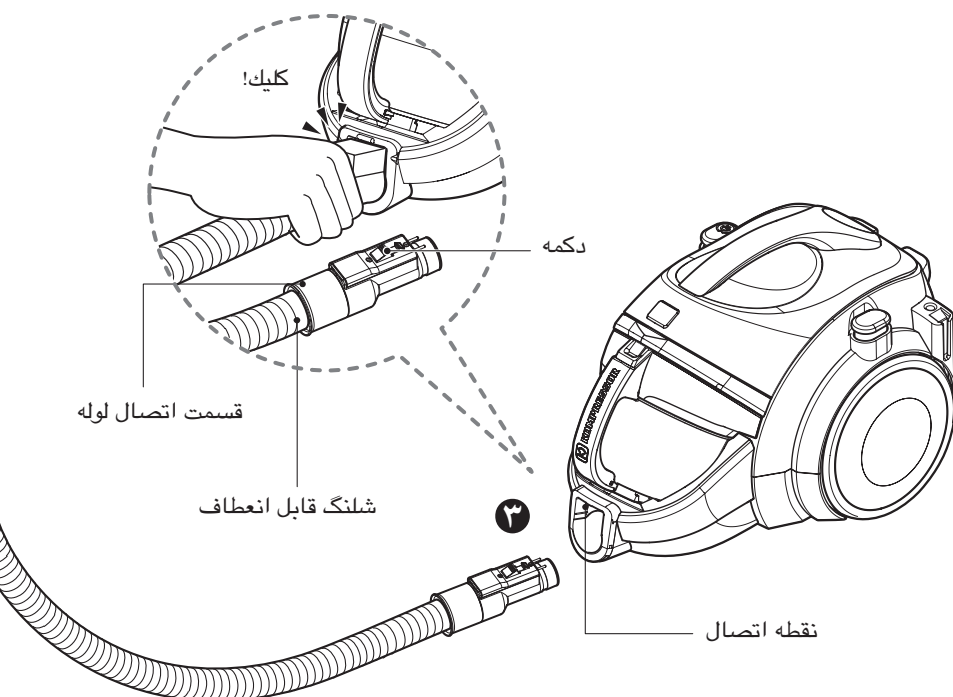
- از فرو کردن اجسام در منافذ دستگاه خودداری کنید.
- رعایت انجام چنین کاری احتمال آسیب دیدگی دستگاه را به همراه خواهد داشت
- در هنگام انسداد هریک از منافذ دستگاه، استفاده از آن خودداری شود.
- کلیه منافذ را از وجود گرد و خاک، کرب پارچه و هر آنچه که مانع جریان هوا می شود، پاک نگاه دارید.
- عدم رعایت انجام چنین موردی، احتمال آسیب دیدگی دستگاه را به همراه خواهد داشت.
- در صورت عدم نصب محفظه آشغال و/ یا فیلترها در محل های خود، از دستگاه جاروبرقی استفاده ننمایید.
- عدم رعایت انجام چنین موردی، احتمال آسیب دیدگی دستگاه را به همراه خواهد داشت.
- همیشه پس از جاروکردن مواد تمیز کننده فرش، نرم کننده ها، پودرها و گرد و غبار، محفظه آشغال دستگاه را تمیز کنید.
- وجود این مواد باعث گرفتگی فیلترها شده و جریان هوا را کاهش می دهد که متقابلاً باعث خرابی دستگاه جاروبرقی می گردد. عدم تمیزکاری محفظه آشغال نیز می تواند آسیب های جبران ناپذیری را به دستگاه وارد کند.
- از دستگاه جاروبرقی جهت مکش اشیاء تیز و سخت، اسباب بازی های کوچک، سنجاچ، گیره های کاغذ و امثالهم استفاده نکنید.
- وجود این اشیاء باعث خرابی دستگاه جاروبرقی و یا محفظه آشغال می گردد.
- دستگاه جاروبرقی را در مکان مسقف نگه داری ننمایید.
- بمنظور جلوگیری از افتادن بر روی دستگاه، آن را پس از استفاده در مکانی به دور از رفت و آمد قرار دهید.
- طراحی کاربرد این دستگاه جهت استفاده کودکان و یا افراد معلول بدون نظارت افراد عادی، نمی باشد.
- عدم رعایت انجام چنین موردی، احتمال بروز جراحت شخصی و یا آسیب دیدگی دستگاه را به همراه خواهد داشت.
- فقط قطعات تولیدی توسط شرکت ال جی الکترونیکس و یا توصیه شده نمایندگان سرویس آن شرکت را مورد بهره برداری قرار دهید.
- عدم رعایت انجام چنین موردی، احتمال آسیب دیدگی دستگاه را به همراه خواهد داشت.
- دستگاه جاروبرقی را تنها بر اساس نکات ذکر شده در این دفترچه راهنما مورد استفاده قرار دهید. تنها از لوازم جانبی و ملزومات مورد تایید و توصیه شرکت ال جی استفاده فرمائید.
- عدم رعایت انجام چنین موردی، احتمال بروز جراحت شخصی و یا آسیب دیدگی دستگاه را به همراه خواهد داشت.
- بمنظور جلوگیری از بروز جراحات فردی و همچنین جهت پرهیز از افتادن دستگاه در هنگام جاروکنشی پلکان، همیشه دستگاه را در پایین پله ها قرار دهید.
- عدم رعایت انجام چنین موردی، احتمال بروز جراحت شخصی و یا آسیب دیدگی دستگاه را به همراه خواهد داشت.

محافظ حرارتی :

این دستگاه جاروبرقی دارای يك محافظ حرارتی مخصوص می باشد که دستگاه را در مواقعی که دمای موتور آن به بیش از حد مجاز برسد، محافظت می نماید. در صورتیکه دستگاه جاروبرقی بطور ناگهانی خاموش شد، دکمه را در وضعیت خاموش قرار داده و دوشاخه را از پریز برق خارج کنید. دستگاه جاروبرقی را از جهت عوامل احتمالی افزایش دمای موتور از قبیل پر بودن محفظه آشغال، انسداد لوله و یا گرفتگی فیلتر مورد بررسی قرار دهید. درصورت وجود چنین مواردی، آن ها را برطرف نموده و پیش از استفاده مجدد از دستگاه جاروبرقی، حداقل ۳۰ دقیقه صبر نمائید. پس از گذشت زمان ۳۰ دقیقه ای، دوشاخه دستگاه جاروبرقی را به پریز وصل نموده و دکمه آن را در وضعیت روشن قرار دهید.

چنانچه بازهم دستگاه جاروبرقی کار نکرد، با يك متخصص برقکار مجرب تماس بگیرید.

روش استفاده روش اتصال اجزای دستگاه جاروبرقی

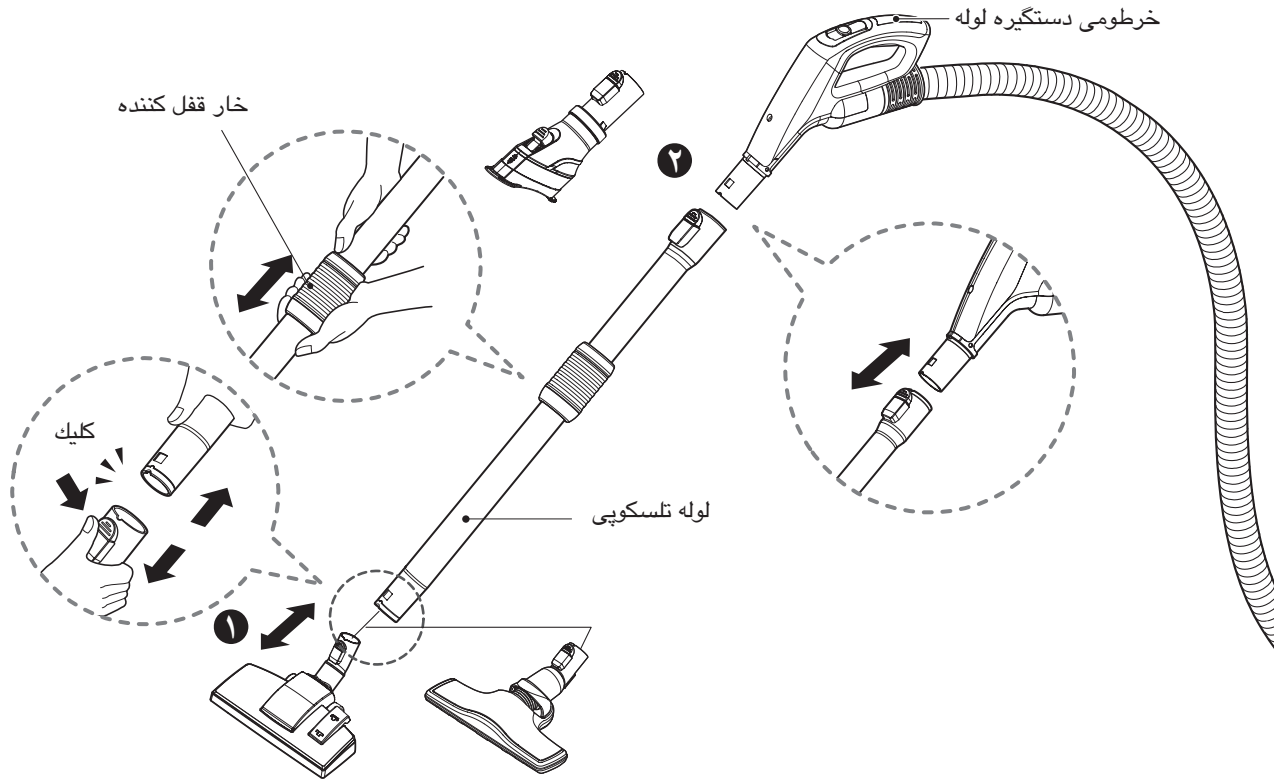


۱ نازل فرش و کف زمین

نازل را در داخل لوله تلسکوپی فشار دهید.

۲ لوله تلسکوپی

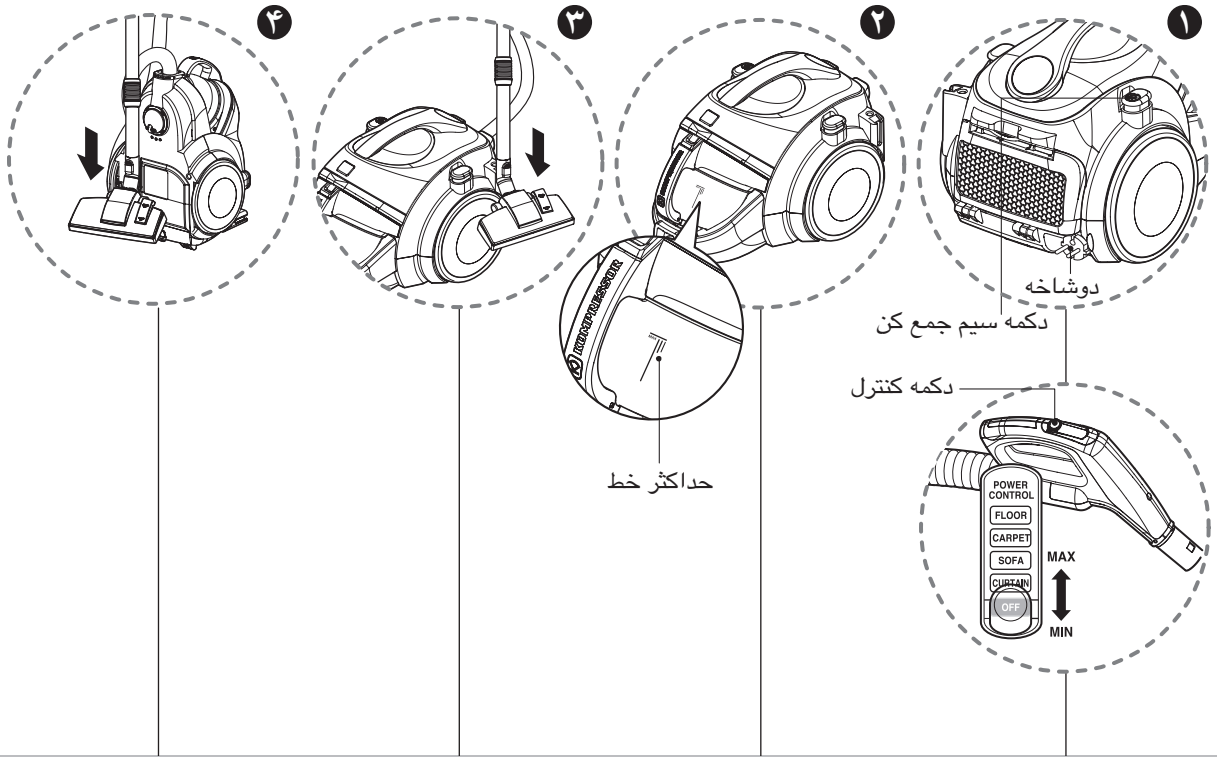
- لوله تلسکوپی را بطور محکم در داخل دسته لوله خرطومی فشار دهید.
- خار قفل کننده را فشار دهید تا لوله باز شود.
- لوله را به اندازه دلخواه بیرون بکشید.



۳ روش اتصال شلنگ خرطومی به دستگاه جاروبرقی

قسمت اتصال لوله موجود بر روی شلنگ قابل انعطاف را در داخل نقطه اتصال دستگاه جاروبرقی فشار دهید.
 برای بیرون آوردن شلنگ قابل انعطاف زائده ی روی لوله رابط را فشار دهید و سپس لوله رابط را از داخل دستگاه بیرون بکشید.

روش استفاده روش کارکرد از جاروبرقی



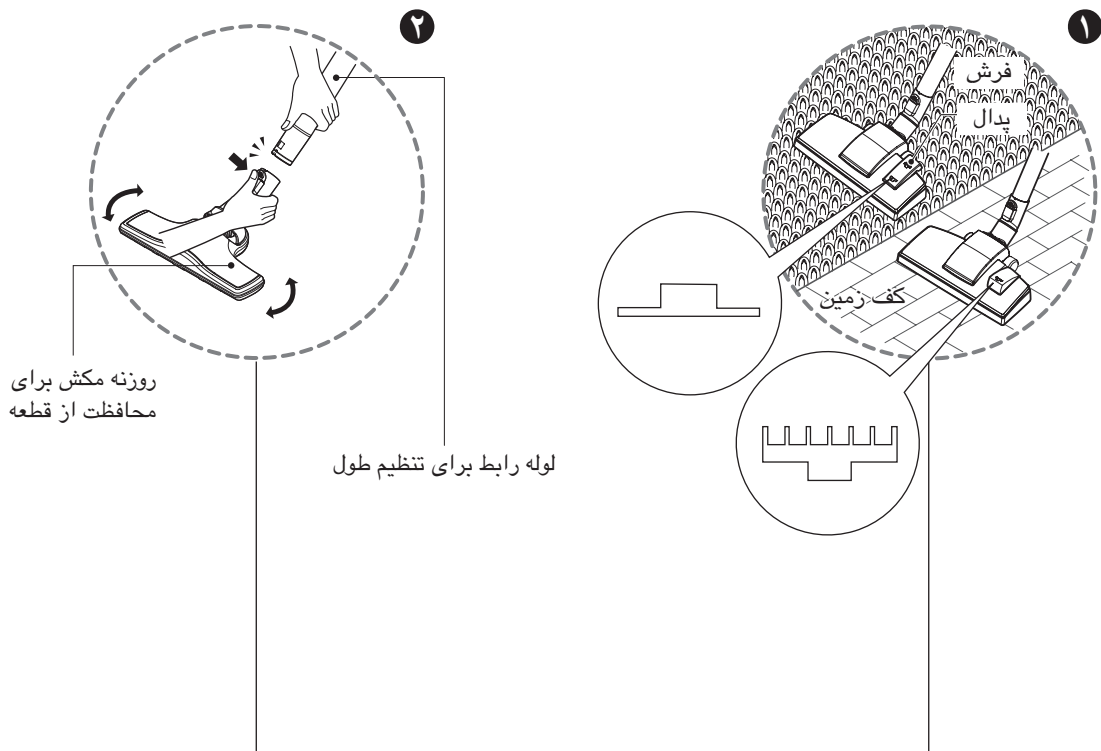
روش کارکرد دستگاه جاروبرقی ۱ خالی کردن مخزن گرد و خاک ۲ حالت پارک دستگاه ۳ نحوه نگهداری دستگاه در هنگام عدم استفاده ۴

- سیم برق را به میزان دلخواه بیرون کشیده و سپس دوشاخه را به پریز متصل کنید.
- جهت بکار اندازی دستگاه جاروبرقی، دکمه کنترل روی دسته لوله خرطومی را حرکت دهید.
- جهت خاموش کردن دستگاه جاروبرقی، دکمه کنترل را روی وضعیت خاموش قرار دهید.
- بعد از استفاده، دکمه سیم جمع کن را فشار دهید تا سیم برق را به داخل بکشد.
- همواره مخزن گرد و خاک را پس از رسیدن سطح مخزن گرد و خاک به خط MAX خالی کنید.
- در هنگام توقف های کوتاه مدت جاروکشی، به عنوان مثال جابجا کردن قطعات کوچک اثاثیه و قالیچه، از حالت پارک جهت نگه داری لوله خرطومی و نازل استفاده فرمائید.
- قلاب روی نازل را در شکاف کنار بدنه دستگاه جاروبرقی قرار داده و فشار دهید.
- زمانی که دستگاه را خاموش نموده و دوشاخه آن را از پریز خارج کردید، دکمه سیم جمع کن را فشار دهید تا سیم برق را بطور خودکار جمع کند.
- شما می توانید دستگاه جاروبرقی خود را در وضعیت عمودی نگه داری نمائید. بدین منظور قلاب روی نازل را در شکاف کنار بدنه دستگاه جاروبرقی قرار داده و فشار دهید.

⚠ هشدار

عدم مکش مایعات.
مکش مایعات می تواند باعث خرابی شود.

روش استفاده از نازل فرش و کفپوش / روزنه مکش برای محافظت دستگاه



۱ نازل فرش و کفپوش (به مدل بستگی دارد)

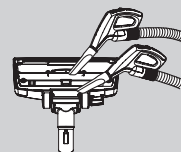
- نازل دو حالتی
- روی این نازل پدالی قرار گرفته است که به شما امکان می دهد بر حسب نوع کف محل، وضعیت را تغییر دهید.
- حالت فرش یا قالیچه
- پدال () را فشار دهید تا برس پایین برود.
- حالت سطوح سخت (کاشی، پارکت)
- پدال () را فشار دهید تا برس بالا برود.

۲ روزنه مکش برای محافظت دستگاه (به مدل بستگی دارد)

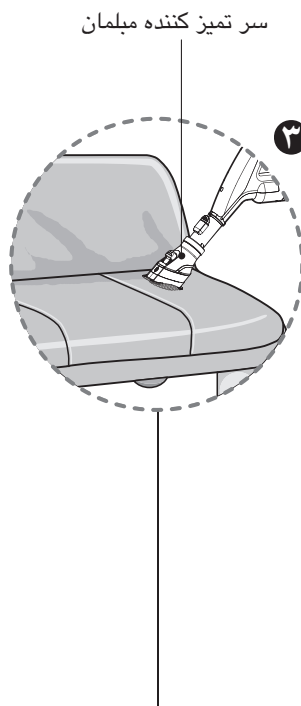
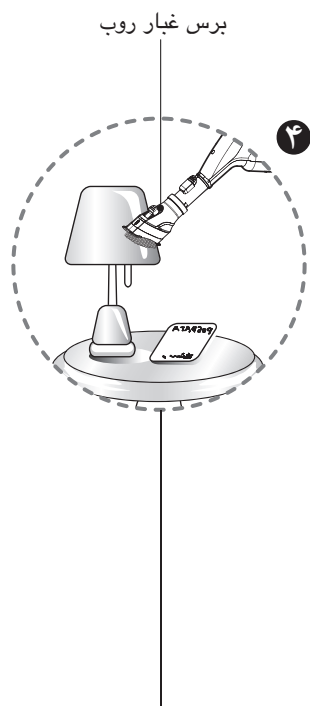
- شما می توانید هرجایی نظیر گوشه یا درز را تمیز کنید چرا که قابلیت روزنه ی مکش را در اختیار دارید.

• نازل تمیز کننده فرش و کف

- روزنه و برس نازل را تمیز کنید.



روش استفاده روش استفاده از سری تمیز کننده دو کاره



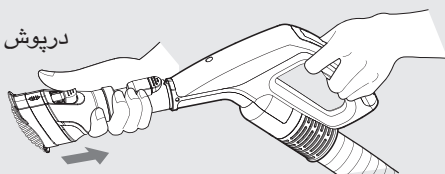
❶ برس غبار روب (به مدل بستگی دارد)

❷ سر تمیز کننده مبلمان (به مدل بستگی دارد)

کاربرد برس غبار روب در تمیز کاری قاب های عکس، چهار چوب اثاثیه، کتاب ها و دیگر سطوح غیر هموار می باشد.

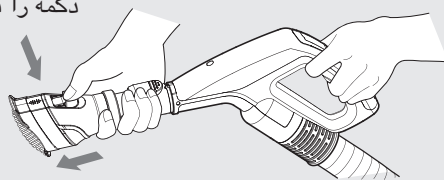
کاربرد سر تمیز کننده مبلمان جهت تمیزکاری مبلمان، لحاف و غیره می باشد.

درپوش را بکشید

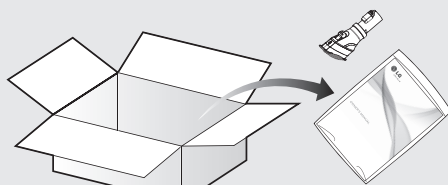


حالت برس غبار روب

دکمه را فشار دهید



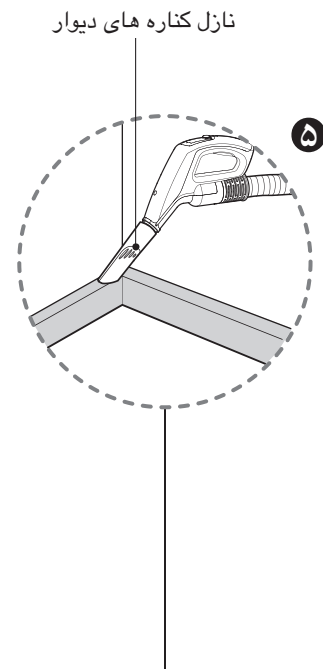
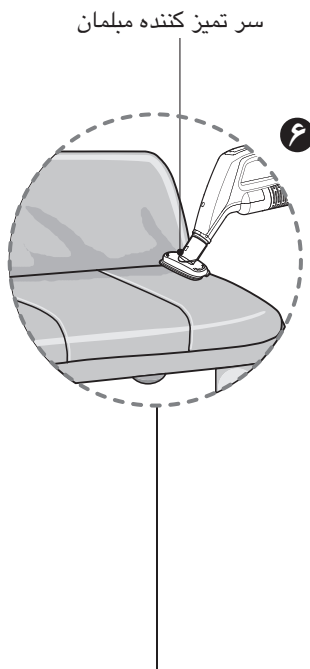
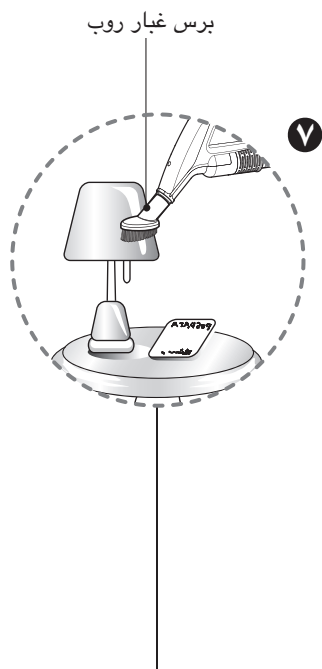
حالت سر تمیز کننده مبلمان



• جعبه لوازم جانبی •

• سری تمیز کننده دو کاره در "جعبه لوازم جانبی" و به همراه دفترچه راهنمای مصرف کنندگان تدارک میگردد. (بستگی به مدل دارد)

روش استفاده روش استفاده از نازل های جانبی

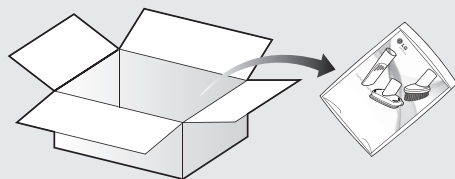


۷ برس غبار روب (به مدل بستگی دارد) ۶ سر تمیز کننده مبلمان (به مدل بستگی دارد) ۵ نازل کناره های دیوار (به مدل بستگی دارد)

کاربرد برس غبارروب در تمیز کاری
قاب های عکس، چهارچوب اثاثیه،
کتاب ها و دیگر سطوح غیر هموار
می باشد.

کاربرد نازل مبلمان در تمیز کاری
مبلمان، تشک ها و امثالهم می باشد.
کاربرد ابزار نخ جمع کن در مکش نخ و
کرک می باشد.

کاربرد نازل کناره ها در هنگام نیاز
به تمیز کردن مکان هایی است که
بطور عادی دست به آنها نمی رسد.
مانند تار عنکبوت های سقف و یا
لابلای کوسن های کاناپه.



• جعبه لوازم جانبی •

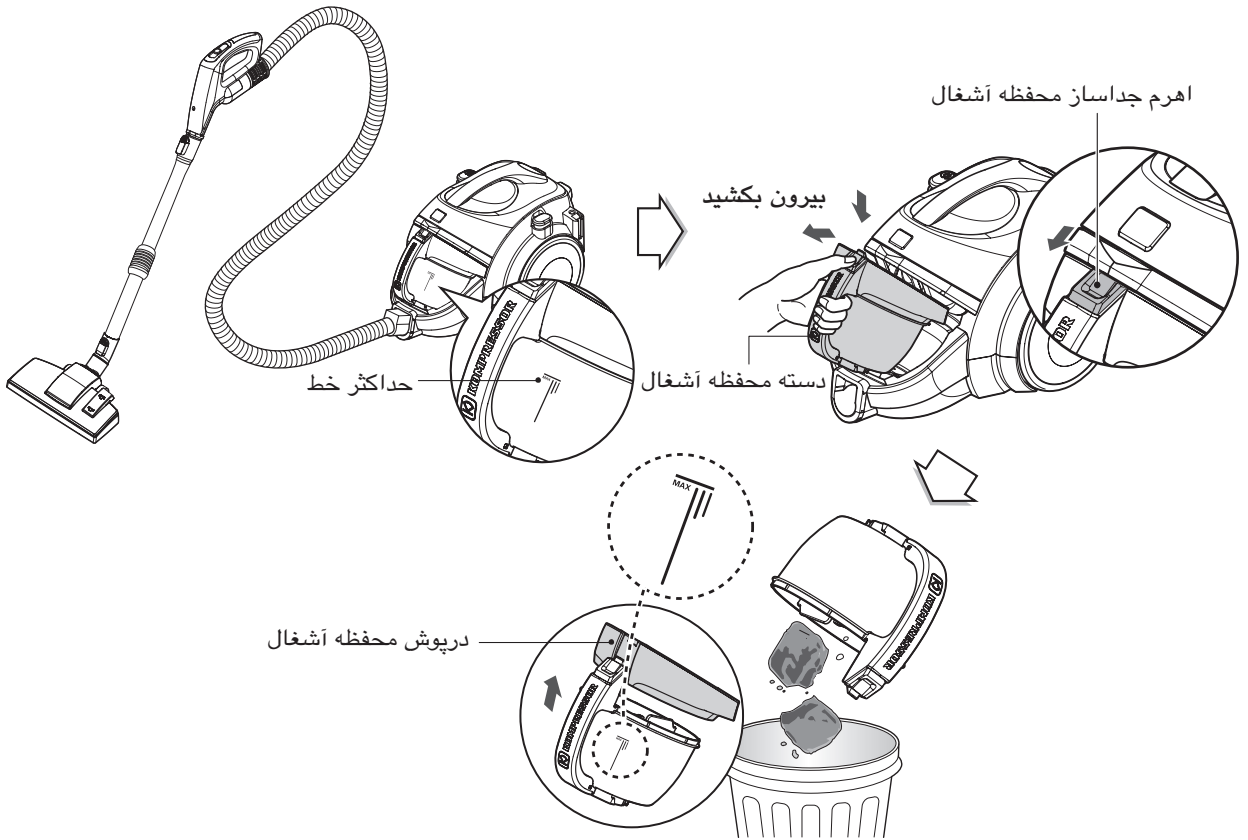
• نازل های جانبی در کیسه PE BAG
همراه راهنمای مصرف کنندگان ارائه می شوند.

توجه

در هنگام تمیز کننده کاناپه، از لوازم
جانبی مربوطه استفاده فرمایید.



روش استفاده روش تخلیه محفظه آشغال



توجه

- در صورتیکه پس از تخلیه محفظه آشغال باز هم قدرت مکش کم بود، می بایست مطابق دستورالعمل صفحه بعد، محفظه صفحه بعد ←

روش حمل و نقل دستگاه جاروبرقی

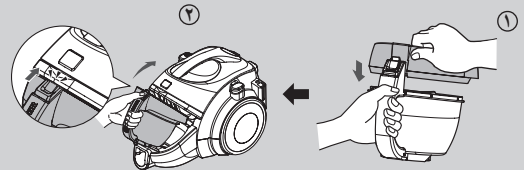
- در هنگام جابجایی دستگاه، دسته محفظه آشغال را در دست نگیرید.
- امکان دارد در هنگام جدا شدن محفظه از بدنه، قسمت بدنه جاروبرقی به زمین بیفتد.
- شما می بایست در هنگام حمل و نقل دستگاه جاروبرقی، دسته مخصوص حمل دستگاه را در دست بگیرید.



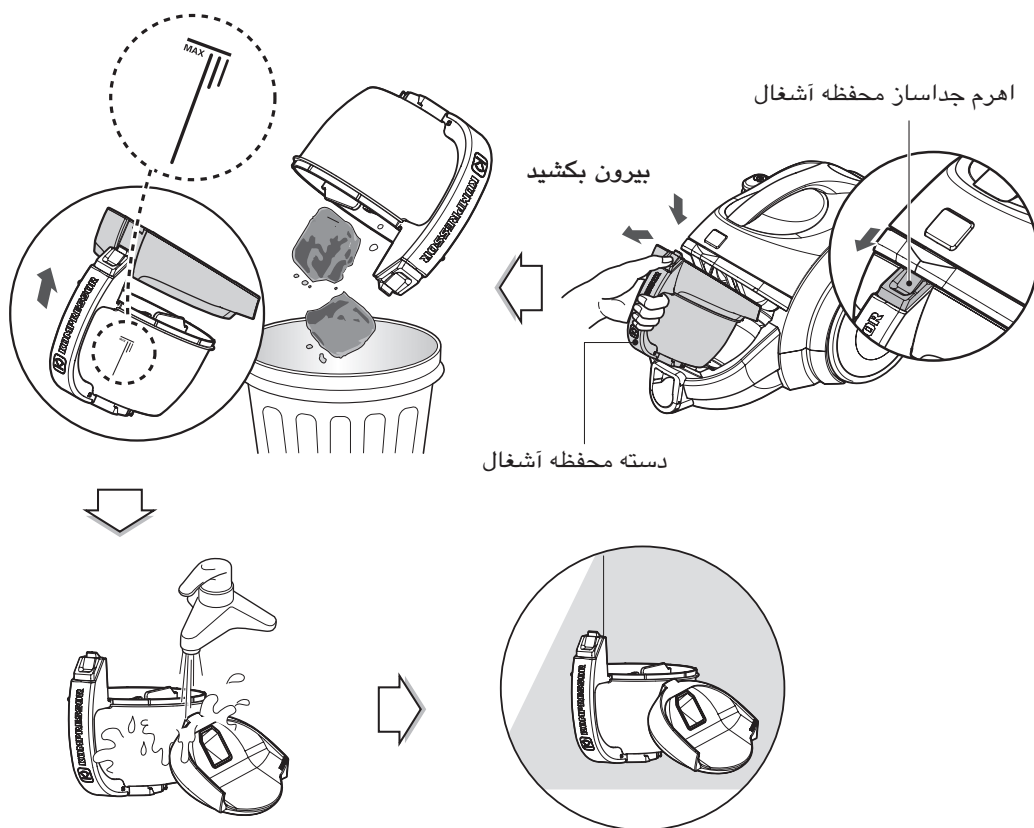
مخزن گرد و خاک پس از رسیدن سطح مخزن گرد و خاک به خط MAX باید خالی شود.

- دستگاه را خاموش کرده و دوشاخه آن را از پریز برق بکشید.
- دسته محفظه را در دست گرفته و آنگاه اهرم جداکننده محفظه را فشار دهید.
- محفظه آشغال را بیرون بیاورید.
- محفظه آشغال را خالی نموده و سپس مطابق شکل زیر آن را مجدداً به دستگاه وصل کنید.

روش اتصال محفظه آشغال به بدنه دستگاه



روش استفاده روش تمیز کردن محفظه آشغال



توجه

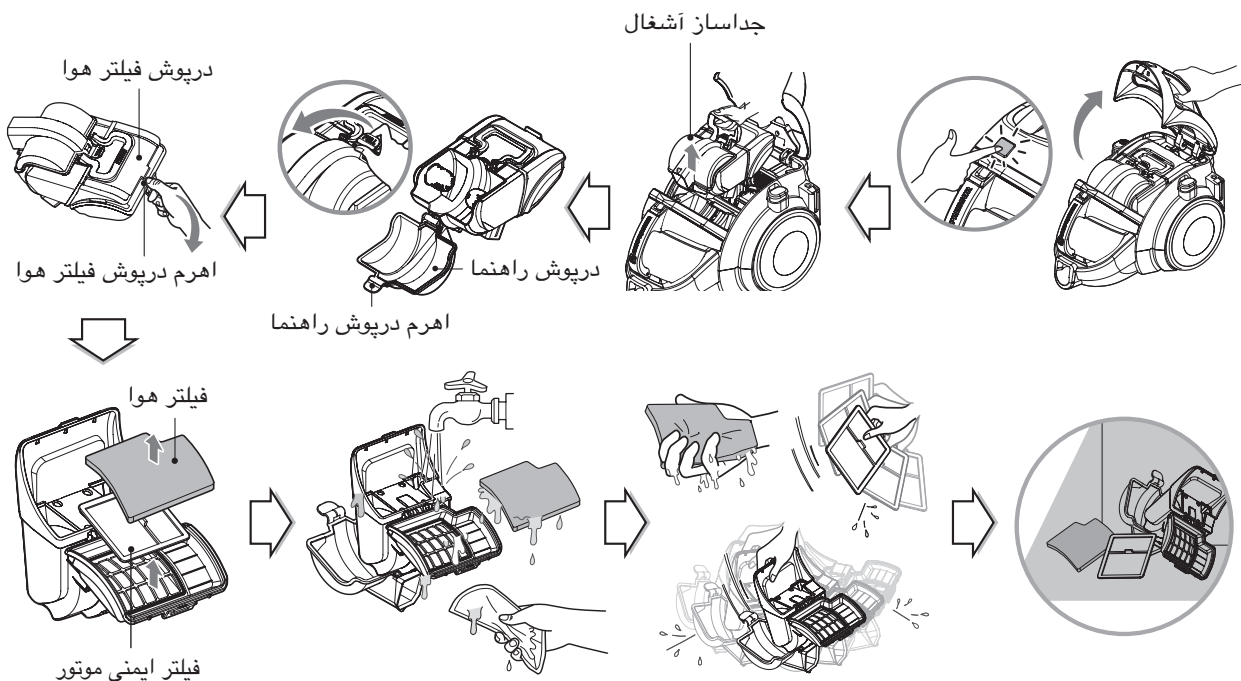
در صورت گم شدن قدرت مکش پس از تمیز کردن مخزن گرد و خاک، فیلتر هوا و فیلتر ایمنی موتور را تمیز کنید. ← صفحه بعد

- دکمه جداکننده محفظه آشغال را فشار داده و محفظه را بیرون بیاورید.
- محفظه آشغال را بشوئید.
- درپوش محفظه آشغال را بردارید.
- کاملاً در سایه خشک کنید بطوریکه کل رطوبت آن از بین برود.

روش استفاده

روش تمیز کردن جدا ساز آشغال

- داخل جدا ساز آشغال، فیلتر هوا، فیلتر ایمنی موتور



⚠ هشدار

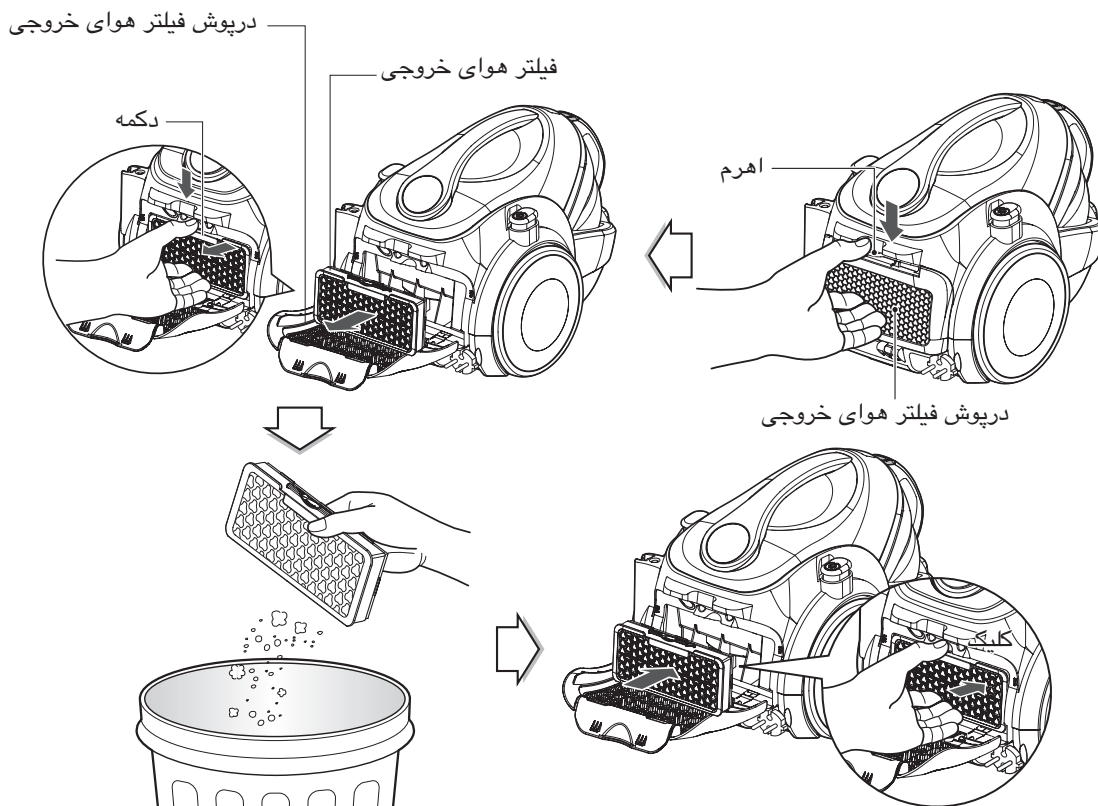
بیش از ۲۴ ساعت در سایه به طور کامل خشک کنید.

توجه

در صورت آسیب دیدگی فیلترها، از استفاده مجدد پرهیز نموده و با سرویسکار مجاز خدمات گلدران تماس حاصل فرمائید.
فیلترها را حداقل یک بار در ماه بشویید.

- در شکل بالا محل قرار گرفتن فیلتر هوا و فیلتر ایمنی موتور در قسمت بالای دستگاه چارو برقی نشان داده شده است.
- با فشار دکمه، درپوش روی دستگاه چارو برقی را باز نمایید.
 - دسته جدا ساز آشغال را در دست گرفته و آن را به سمت بیرون بکشید.
 - با کشیدن اهرم درپوش راهنما، آن را باز نموده و گرد و خاک را تخلیه کنید.
 - با فشار دادن اهرم درپوش فیلتر هوا، آن را باز نموده و فیلتر هوا را خارج کنید.
 - فیلتر ایمنی موتور را از جدا ساز آشغال جدا کنید.
 - فیلتر هوا و فیلتر ایمنی موتور را بشوئید.
 - از شستشوی فیلتر با آب داغ پرهیز شود.
 - فیلترها را در سایه بنحوی خشک کنید که اثری از رطوبت در آن ها باقی نماند.
 - فیلتر هوا و فیلتر ایمنی موتور می بایست بنحوی که در شکل بالا نشان داده شده است، تمیز گردند.

روش استفاده روش تمیز کردن فیلتر هوا و فیلتر ایمنی موتور



- فیلتر هوای خروجی قابلیت استفاده مجدد را دارد.
- بمنظور تمیز کردن فیلتر هوای خروجی، با فشار دادن دکمه مربوطه، درپوش این فیلتر را باز کنید.
- با فشار دادن اهرم، فیلتر هوای خروجی را جدا سازید.
- گرد و خاک فیلتر هوای خروجی را بتکانید. (از شستشوی فیلتر هوای خروجی با آب پرهیز شود.)
- قلاب های فیلتر هوای خروجی را در داخل شیار های بدنه موتور دستگاه جارو برقی قرار داده و فیلتر را فشار دهید.
- فیلتر هوای خروجی می بایست حداقل سالی یک بار تمیز گردد.

در زمان کار نکردن دستگاه جاروبرقی، چه کارهائی باید انجام داد

ابتدا چک کنید که دوشاخه دستگاه جاروبرقی بطور صحیح در داخل دوشاخه قرار گرفته و پریز نیز برق داشته باشد.

در زمان کاهش کارائی مکش، چه کارهائی باید انجام داد

- دستگاه جاروبرقی را خاموش نموده و دوشاخه را از پریز خارج نمائید.
- لوله تلسکوپی، شلنگ خرطومی و نازل را از لحاظ گرفتگی و انسداد مجاری چک نمائید.
- محفظه آشغال را چک کنید که پر نشده باشد. در صورت لزوم آن را خالی کنید.
- جداساز گرد و غبار را از لحاظ گرفتگی و انسداد مجاری چک کنید. انسداد را برطرف کنید.
- فیلتر هوای خروجی را از لحاظ گرفتگی چک کنید. در صورت لزوم آن را تمیز کنید.
- فیلتر جدا ساز گرد و غبار را از لحاظ گرفتگی چک کنید. در صورت لزوم فیلتر هوا را تمیز کنید.

روش دور انداختن دستگاه قدیمی

- 1- هنگامی که علامت ضربدر بر روی سطل چرخدار بروی محصولی نصب شده باشد بدان معنی است که آن محصول تحت استاندارد اروپائی شماره 2002/96/EC می باشد.
- 2- کلیه محصولات الکتریکی و الکترونیکی را می باید خارج از سیستم زباله شهری و بصورت کاملا مجزا از زباله های معمولی و در محل های مخصوص مشخص شده توسط مقامات دولتی یا محلی دور انداخت.
- 3- دور انداختن صحیح دستگاه قدیمی شما از پیامد های منفی زیست محیطی و یا اثر سوء بر عوامل مربوط به سلامت انسان ها جلوگیری بعمل خواهد آورد.
- 4- جهت کسب جزئیات بیشتر در خصوص نحوه دور انداختن دستگاه قدیمی خود، لطفا با مرکز تخلیه زباله شهرداری و یا فروشگاه های که دستگاه خود را از آن خریداری نموده اید تماس حاصل بفرمائید.



فهرست نمایندگان لوازم خانگی شرکت خدمات گلدریان

تلفن	شهر	کد نماینده	تلفن	شهر	کد نماینده
۷۷۲۳۴۹۰	اشتهارد	۲۰۱۳۳	۲۲۲۰۰۶۶-۲۲۲۸۵۲۷	مراغه	۲۰۸۰۲
۶۶۴۷۷۵۱	کرج	۲۰۱۳۴	۲۲۲۲۰۲۲-۲۲۲۳۶۷۹	میانه	۲۰۸۰۳
۴۲۰۰۹۱۲	کرج	۵۰۱۸۶	۲۳۰۴۷۸۹	تبریز	۲۰۸۰۴
۴۲۰۰۹۱۲	کرج	۶۰۱۸۹	۶۲۲۳۸۱۵-۶۲۲۹۹۴۹	عجبشیر	۲۰۸۰۶
۴۲۰۰۹۱۲-۴۲۰۰۹۰۵-۶	کرج	۸۰۱۶۹	۴۲۲۳۸۱۲	آذرشهر	۲۰۸۰۷
۲۳۵۳۸۴۳	ایلام	۲۲۴۰۱	۳۰۴۲۵۹۶	هادی شهر	۲۰۸۰۸
۳۳۶۴۷۳۰	ایلام	۲۲۴۰۲	۸۲۲۳۶۶۵	ملکان	۲۰۸۰۹
۶۲۲۶۲۱۱-۶۲۲۰۱۱۰	آبدانان	۲۲۴۰۳	۲۲۳۹۲۴۱	مراغه	۲۰۸۱۲
۵۲۲۷۶۹۲	دره شهر	۲۲۴۰۴	۷۲۳۰۲۴۰	بناب	۲۰۸۱۷
۷۲۲۹۶۶۸	دهلران	۲۵۱۹۹	۲۲۲۰۲۰۲	شهبستر	۲۰۸۱۸
۸۲۲۲۶۰۶	بندر دیر	۲۱۲۰۴	۲۲۴۰۹۲-۲۲۲۰۲۵۰	ارومیه	۲۰۹۰۱
۴۲۴۳۷۹۸	برازجان	۲۱۲۰۹	۲۲۲۵۱۴۵	مهاباد	۲۰۹۰۲
۷۶۳۴۳۱۸	ولایت جم	۲۱۲۱۱	۵۲۴۳۷۵۸	سلماس	۲۰۹۰۵
۲۵۴۲۵۹۹-۲۵۴۲۵۹۸	بوشهر	۲۱۲۱۲	۲۳۳۳۶۲۱	میاندوآب	۲۰۹۰۷
۲۲۴۰۴۰۲-۲۲۴۰۴۰۱-۲۲۰۸۱۵۵	کرج	۲۰۱۰۲	۳۳۴۵۹۰۰	ماکو	۲۰۹۰۸
۲۳۵۲۲۵۲	ورامین	۲۰۱۰۳	۳۸۴۲۱۷۰-۳۸۴۲۴۹۲	ارومیه	۲۰۹۰۹
۲۳۵۱۱۲۳	اسلامشهر	۲۰۱۰۵	۴۲۲۲۱۲۳	شاهین دژ	۲۰۹۱۰
۷۷۲۵۹۱۶۲-۷۷۷۸۰۴۰۰	تهران	۲۰۱۰۹	۶۲۶۰۶۳۴	نقده	۲۰۹۱۱
۳-۶۶۵۷۴۱۰۰-۶۶۵۷۴۱۰۵	تهران	۲۰۱۱۰	۵۴۰۲۳۳۶-۵۴۰۶۲۸۴-۵۴۲۲۵۲۲	تبریز	۲۰۸۱۳
۲۳۵۰۴۴۵-۲۲۳۰۱۷۱۹-۲۲۳۲۳۹۶۵	تهران	۲۰۱۱۱	۲۲۳۱۲۲۳-۲۲۶۳۰۱۳	مرند	۲۰۸۱۴
۶۶۰۰۴۷۸۴	تهران	۲۰۱۱۲	۳۳۳۳۴۴۴	اهر	۲۰۸۱۵
۵-۶۶۳۸۹۸۸۴	تهران	۲۰۱۱۸	۲۲۳۲۶۷۰	سراب	۲۰۸۱۶
۴۴۴۳۷۶۶۵	تهران	۲۰۱۲۰	۲۶۶۳۷۵۰	خسروشهر	۲۰۸۱۹
۳۰۲۷۸۱۹۳-۳۰۴۰۸۴۳	پاکدشت	۲۰۱۲۱	۶۲۴۳۸۵۲-۶۲۴۳۸۵۳-۶۲۳۴۶۲۰	بوکان	۲۰۹۰۴
۵۲۳۴۶۶۴-۵۲۴۳۴۵۴	دماوند	۲۰۱۲۲	۴۲۲۹۹۱۸	پیرانشهر	۲۰۹۱۳
۸۸۷۲۲۰۰۷-۸۹۳۰۵۱۰۱-۳	تهران	۲۰۱۲۳	۲۴۴۴۵۰۸	حوی	۲۰۹۱۴
۳۵۲۳۱۹۹-۳۵۲۳۲۲۳-۳۵۲۷۵۲۰	کرج	۲۰۱۲۴	۲۷۲۶۶۸۶	قره ضیاءالدین	۲۰۹۱۵
۵-۳۲۰۵۲۳۴	تهران	۲۰۱۲۵	۶۲۳۱۳۳۲	نقده	۲۰۹۱۶
۳۲۵۵۸۰۹-۳۲۵۵۸۲۴-۳۲۵۵۸۲۰	شهریار	۲۰۱۲۶	۵۲۲۴۳۱۰	تکاب	۲۰۹۱۷
۶۶۳۸۹۸۹۹-۶۶۳۸۵۷۵۸	تهران	۲۰۱۲۷	۳۴۴۰۱۲۳	ارومیه	۲۰۹۱۸
۵۵۹۵۵۰۰۰-۵۵۹۰۳۹۰۰	تهران	۲۰۱۲۸	۶۶۱۷۸۱۴-۶۶۱۸۰۰۱	اردبیل	۲۲۲۰۱
۸۸۷۰۳۶۰۸-۸۹۳۰۵۳۰۵	تهران	۲۰۱۳۰	۷۲۳۰۰۰۱	پارس آباد مغان	۲۲۲۰۲
۴۶۸۸۱۹۹۶	شهرقدس	۲۰۱۳۲	۴۲۳۱۴۲۰	خلخال	۲۲۲۰۳
۴۲۳۹۳۸۹	رباط کریم	۲۵۱۹۶	۵۲۳۹۱۱۸-۵۲۴۰۸۸۸	مشکین شهر	۲۲۲۰۴
۵۶۴۳۶۹۷۸	تهران	۶۰۱۶۰	۶۲۴۳۶۶۲-۶۲۸۰۲۵۶-۶۲۴۳۶۶۲	اصفهان	۲۰۳۰۱
۸۸۵۵۵۶۴۲	تهران	۶۰۱۸۱	۳۶۵۲۸۴۴	خمینی شهر	۲۰۳۰۵
۴-۸۸۶۸۶۰۵۳	تهران	۸۰۱۶۱	۵۲۳۵۰۰۰	مبارکه	۲۰۳۰۶
۲۲۲۴۲۸۱	شهرکرد	۲۲۷۰۱	۳۲۲۸۹۸۹	گلبایگان	۲۰۳۰۷
۴۲۳۸۹۲۴	بروجن	۲۲۷۰۳	۴۲۲۲۲۲۲	داران	۲۰۳۰۸
۷۲۳۹۴۰۰	فارسان	۲۲۷۰۴	۴۲۲۳۰۰۰-۴۴۶۷۵۰۰	کاشان	۲۰۳۰۹
۲۲۲۱۱۰۱	فردوس	۲۰۲۲۸	۲۲۲۲۱۲۰	شهرضا	۲۰۳۱۰
۲۲۲۱۱۹۰-۲۲۲۴۵۷۷	بیرجند	۲۵۲۴۸	۵۲۴۹۹۹۳	شاهین شهر	۲۰۳۱۲
۸۴۲۰۲۲۷	مشهد	۲۰۲۰۱	۴۲۴۳۲۷۸	نطنز	۲۰۳۱۳
۳۳۲۰۴۰۰-۳۳۳۰۳۰۰	نیشابور	۲۰۲۰۴	۳۲۴۳۳۰۹	گلبایگان	۲۰۳۱۴
۲۲۲۵۸۵۵	سبزوار	۲۰۲۰۵	۴۴۷۱۱۹۰	کاشان	۲۰۳۱۵
۷۷۲۳۲۵۲	خلیل آباد	۲۰۲۰۸	۲۶۳۷۸۳۲	نجف آباد	۲۰۳۱۶
۲۲۴۳۵۱۵	قوچان	۲۰۲۱۱	۲۲۵۸۷۵۱-۲۲۶۳۲۷۹	اصفهان	۲۰۳۱۷
۲۲۳۳۴۷۷-۲۳۱۳۴۷۷	تربت حیدریه	۲۰۲۱۲	۲۲۵۱۳۲۷	نائین	۲۰۳۱۸
۸۹۱۱۳۳۳	مشهد	۲۰۲۱۴	۱۶۹۵۸۶۰۰	هشتگرد	۲۰۱۲۹
۸۲۳۳۸۵۵	کاشمر	۲۰۲۱۵	۴۴۳۵۶۶۷	کرج	۲۰۱۳۱

فهرست نمایندگان لوازم خانگی شرکت خدمات گلدریان

کد نماینده	شهر	تلفن	کد نماینده	شهر	تلفن
۲۰۲۱۷	تربت حیدریه	۲۲۳۰۰۰۱	۲۲۶۰۵	زابل	۲۲۲۵۹۱۹
۲۰۲۲۰	چناران	۶۲۲۶۴۴۶-۶۲۲۹۱۹۲	۲۲۶۰۶	ایرانشهر	۲۲۳۰۱۳۷
۲۰۲۲۲	سیزوار	۲۲۲۹۵۶۰-۲۲۲۸۳۴۸	۲۰۴۰۲	آباده	۲۲۲۸۵۹۹-۲۲۲۴۴۸۸
۲۰۲۲۳	خواف	۴۲۲۶۸۹۳	۲۰۴۰۳	داراب	۶۲۴۴۵۶۲
۲۰۲۲۴	سرخس	۵۲۳۹۵۱۶-۵۲۳۲۱۱۱	۲۰۴۰۴	فسا	۲۲۲۶۰۱۰-۲۲۳۶۰۱۰
۲۰۲۲۵	گناباد	۷۲۵۱۶۶۱	۲۰۴۰۷	خنج	۴۲۵۳۴۹۴-۴۵۲۳۴۹۵
۲۰۲۲۶	مشهد	۸۵۹۷۷۷۶	۲۰۴۰۹	مرودشت	۲۲۳۲۷۵۴
۲۰۲۲۷	مشهد	۷۲۵۷۸۸۹	۲۰۴۱۰	نیریز	۵۲۳۹۱۴۲-۵۲۳۱۵۸۸
۲۰۲۲۹	تایباد	۴۲۳۰۵۶۹	۲۰۴۱۲	نورآباد ممسنی	۴۲۲۳۷۸۷
۲۰۲۳۰	فریمان	۶۲۲۲۶۷۹	۲۰۴۱۴	کازرون	۲۲۲۵۲۶۳
۲۰۲۳۱	تربت جام	۲۲۲۴۲۱۱	۲۰۴۱۵	ارسنجان	۷۶۲۵۷۷۵
۲۰۲۰۳	بجنورد	۲۲۲۹۶۴۱-۲۲۵۰۷۰۵	۲۰۴۱۷	شیراز	۱-۸۲۰۹۲۷۲
۲۰۲۰۹	شیروان	۶۲۲۷۸۵۴	۲۰۴۱۸	جهرم	۴۴۴۵۷۴۷
۲۰۲۱۸	اسفراین	۷۲۲۲۶۶۹	۲۰۴۱۹	نورآباد ممسنی	۴۲۲۴۲۳۹
۲۰۲۱۹	اشخانه	۴۲۲۵۶۵۵	۲۰۴۲۰	شیراز	۷۲۳۴۶۶۷-۷۲۳۷۰۵۹
۲۰۲۲۱	گرمه	۲۲۵۳۳۹۹۰	۲۰۴۲۱	لارستان	۲۲۲۶۰۲۲
۲۵۰۰۷	بجنورد	۲۲۲۳۹۵۲-۲۲۲۸۰۴۵	۲۰۴۲۲	خرم بید	۳۵۲۱۳۰۸
۲۰۵۰۳	آبادان	۴۴۳۳۲۱۲-۴۴۳۱۳۸۸	۲۰۴۲۳	لامرد	۵۲۲۴۰۵۴-۵۲۲۴۹۸۵
۲۰۵۰۷	دزفول	۲۲۲۸۸۳۳-۲۲۴۹۴۰۰-۲۲۴۲۲۲۰	۲۰۴۲۴	فیروزآباد	۶۲۳۶۵۶۵
۲۰۵۰۹	دزفول	۲۲۲۷۳۹۹	۲۰۴۲۵	اقلید فارس	۴۲۲۲۹۵۳
۲۰۵۱۰	خرمشهر	۴۲۲۴۸۱۲-۴۲۲۳۰۶۰	۲۰۴۲۶	شیراز	۶۲۵۱۱۷۳
۲۰۵۱۱	ماهشهر	۲۲۴۶۵۹۷-۲۲۳۱۸۳۲	۲۱۴۰۱	قزوین	۲۲۲۳۱۸۳
۲۰۵۱۲	شوش دانیال	۵۲۳۷۱۲۱	۲۱۴۰۳	قزوین	۲۵۶۳۱۱۸-۲۵۶۸۸۱۸
۲۰۵۱۴	شوشتر	۶۲۴۲۸۰۰	۲۱۴۰۴	تاکستان	۵۲۲۸۲۳۹
۲۰۵۱۷	شادگان	۳۲۲۰۰۶۸	۲۱۴۰۵	قزوین	۳۲۲۲۸۴۶
۲۰۵۲۱	خرمشهر	۴۲۲۶۳۳۲-۴۲۲۸۲۲۲	۲۱۴۰۶	بوئین زهرا	۴۲۲۵۲۳۵
۲۰۵۲۴	ایزه	۵۲۳۱۲۱۱	۲۵۰۴۱	قزوین	۳۳۳۵۶۴۶-۳۳۳۱۱۴۲-۳
۲۰۵۲۵	رامهرمز	۲۲۲۰۴۱۵	۲۱۵۰۱	قم	۶۶۰۱۴۸۰
۲۰۵۲۷	بندر امام	۲۲۳۰۰۲۳	۲۵۰۲۳	قم	۷۶۰۳۴۳۴
۲۰۵۳۰	اندیمشک	۴۲۲۵۵۷۲	۲۲۳۰۱	سنندج	۳۲۸۱۳۶۹-۳۲۴۷۵۴۵
۲۰۵۳۲	اهواز	۱-۲۹۲۴۱۰۰	۲۲۳۰۲	بیجار	۴۲۲۵۶۲۲-۴۲۲۲۲۵۸
۲۰۵۳۳	آبادان	۴۴۴۴۴۰۰-۴۴۲۶۸۵۳	۲۲۳۰۳	سقز	۳۲۳۸۸۱۲-۳۲۳۸۸۱۱
۲۰۵۳۴	بهبهان	۴۲۲۵۲۲۷	۲۲۳۰۵	سنندج	۳۲۳۷۰۰۶
۲۰۵۳۵	امیدیه	۲۲۳۱۹۸۹	۲۱۷۰۴	کهنوج	۵۲۲۶۵۱۱
۲۵۲۱۴	اندیمشک	۴۲۲۰۸۱۴	۲۱۷۰۵	رفسنجان	۵۲۲۸۴۶۹
۲۵۳۰۵	باغملک	۴۲۲۱۴۱۴	۲۱۷۰۷	سیرجان	۳۲۲۱۶۹۸
۶۰۱۸۲	اهواز	۶۱۱۳۳۷۹۷۸۷	۲۱۷۰۸	عنبرآباد	۴۶۲۳۳۱۱
۲۲۰۰۱	زنجان	۷۲۷۵۹۲۲	۲۱۷۰۹	رفسنجان	۵۲۲۰۹۵۹
۲۲۰۰۲	ایهر	۵۲۷۷۷۱۱	۲۱۷۱۱	کرمان	۲۴۴۹۴۲۰
۲۲۰۰۳	خدابنده (قیدار)	۴۲۲۰۹۰۷	۲۱۷۱۲	بافت	۴۲۲۴۴۴۰
۲۲۰۰۴	خرم دره	۵۵۲۲۷۳۵	۲۱۷۱۳	انار	۳۲۲۲۱۱۶
۲۰۷۰۸	محمود آباد	۷۷۴۶۰۸۳	۲۱۷۱۴	بم	۲۲۱۴۷۸۴
۲۰۷۲۳	فریدونکنار	۵۶۵۱۴۵۰-۵۶۵۱۴۵۱	۲۱۷۱۵	جیرفت	۲۳۱۶۶۳۱-۲۴۱۴۱۹۵
۲۳۵۰۱	سمنان	۳۳۳۳۱۰۴-۳۳۳۶۸۷۷	۲۱۶۰۲	کرمانشاه	۷۲۲۵۶۲۷
۲۳۵۰۲	دامغان	۵۲۴۴۶۱۵	۲۱۶۰۳	کرمانشاه	۸۲۴۳۳۴۴-۸۲۳۴۵۰۰
۲۲۵۰۳	گرمسار	۴۲۲۵۷۶۷	۲۱۶۰۴	سرپل ذهاب	۲۲۲۱۴۰۶
۲۲۵۰۴	شاهرود	۳۳۳۴۷۱۷	۲۱۶۰۵	اسلام آباد غرب	۵۲۲۲۱۸۲-۵۲۲۷۸۶۷
۲۲۵۰۵	شاهرود	۲۲۲۱۹۶۵	۲۱۶۰۶	کرمانشاه	۷۲۲۷۱۰۳
۲۲۶۰۳	زاهدان	۳۲۶۳۷۲۹-۳۲۶۳۷۳۹-۳۲۶۳۷	۲۱۶۰۷	صحنه	۳۲۲۷۰۳۲
۲۲۶۰۴	چابهار	۴۲۸۲۵۱۸	۲۱۶۰۸	جوانرود	۶۲۲۲۵۱۲

فهرست نمایندگان لوازم خانگی شرکت خدمات گلدیران

کد نماینده	شهر	تلفن	کد نماینده	شهر	تلفن
۲۱۶۰۹	کنگاور	۹۱۸۸۳۷۶۰۸۱	۲۲۱۰۸	کوهدهشت	۶۲۳۸۳۱۰
۲۲۸۰۱	دوگنبدان	۹۱۷۶۶۰۱۰۷-۹۳۵۶۰۴۹۸۰۲	۲۲۱۰۹	بروجرد	۲۶۱۷۹۸۸-۴۴۶۰۹۲۲
۲۲۳۰۷	مریوان	۹۱۸۹۸۵۰۶۹۴-۹۳۷۴۸۲۴۲۳۸	۲۲۱۱۰	دورود	۴۲۲۹۸۳۱
۲۱۷۱۶	کرمان	۹۱۳۳۹۹۶۸۵۰	۲۰۶۲۳	رامسر	۵۲۵۹۹۶۸
۲۵۱۸۱	زرنند	۹۱۳۳۹۷۲۴۳۱	۲۰۷۰۲	بابل	۳۲۷۲۹۴۹-۳۲۷۱۹۴۸
۲۲۸۰۳	یاسوج	۹۱۷۷۴۱۷۲۶۹	۲۰۷۰۴	بابلسر	۵۲۳۲۱۳۳-۵۲۵۴۷۳۳
۲۱۰۰۲	گنبدکاووس	۹۱۱۱۷۲۱۷۱۴	۲۰۷۱۰	نور	۶۲۳۳۶۱۰
۲۱۰۰۳	کردکوی	۹۱۱۳۷۵۷۹۱۱	۲۰۷۱۲	تنکابن	۴۲۲۵۳۸۲
۲۱۰۰۴	علی آباد کتول	۹۱۱۳۷۳۰۰۰۳	۲۰۷۱۳	خزرشهر	۵۲۲۵۶۹۳
۲۱۰۰۵	گرگان	۹۱۱۳۳۷۱۳۰۰-۹۱۱۱۷۰۴۰۱۹	۲۰۷۱۴	محمودآباد	۷۷۴۵۴۴۶
۲۱۰۰۶	آق قلا	۹۱۱۷۵۲۰۹۸	۲۰۷۱۵	جویبار	۳۲۲۸۴۴۸
۲۱۰۰۷	کلاله	۹۱۱۹۷۶۴۰۲۶	۲۰۷۱۶	نکاه	۵۶۲۵۷۲۲
۲۱۰۰۹	مینودشت	۹۱۱۳۳۷۴۰۶۱۶-۹۱۱۱۷۷۶۰۹۹	۲۰۷۱۷	گلوگاه	۶۲۳۲۷۹۳
۲۱۰۱۰	گرگان	۹۱۱۱۷۵۶۹۷۲	۲۰۷۲۰	تنکابن	۴۲۸۲۱۹۹
۲۱۰۰۸	گنبدکاووس	۹۱۱۳۷۲۲۳۱۴	۲۰۷۱۲	چالوس	۲۲۴۶۷۸۲
۲۰۶۰۱	رشت	۹۱۱۳۳۱۴۳۵۱	۲۰۷۲۲	قائم شهر	۲۲۲۰۶۹۵
۲۰۶۰۳	بندرانزلی	۹۱۱۱۸۳۹۱۱۰	۲۰۷۲۵	فریدون کنار	۵۶۵۴۳۰۹
۲۰۶۰۵	لاهیجان	۹۱۱۱۴۱۴۴۷۱	۲۰۷۲۷	ساری	۲۲۱۳۰۴۸
۲۰۶۰۶	لنگرود	۹۱۱۱۴۵۴۷۸۴	۲۰۷۲۸	ساری	۲۲۶۳۵۲۵
۲۰۶۰۷	رودسر	۹۱۱۱۴۲۱۰۱	۲۰۷۳۰	آمل	۳۲۶۹۱۶۲
۲۰۶۰۸	تالش	۹۱۱۱۸۱۹۳۳۲	۲۰۷۳۱	عباس آباد تنکابن	۴۶۲۶۶۱۵
۲۰۶۰۹	تالش	۹۱۱۳۸۲۳۰۱۲	۲۰۷۳۲	نوشهر	۳۲۳۶۲۲۱
۲۰۶۱۱	آستانه اشرفیه	۹۱۱۱۴۲۴۶۳۱	۲۰۷۳۴	قائم شهر	۲۲۴۷۷۲۹
۲۰۶۱۲	رضوان شهر	۹۱۱۱۴۸۰۴۸۹	۲۰۷۳۵	نوشهر	۳۲۳۹۷۶۰-۳۲۳۴۸۰۴-۱۹۳۹۰۹۷
۲۰۶۱۳	خمام	۹۱۱۳۳۹۷۷۴۷	۲۰۷۳۶	بابل	۳۲۹۶۲۲۶-۳۲۹۶۲۵۹
۲۰۶۱۴	رودبار	۹۱۱۱۳۶۹۷۸۱	۲۰۷۳۷	کلاردشت	۴۶۲۰۰۵۵
۲۰۶۱۵	صومعه سرا	۹۱۱۱۳۲۲۱۰۷	۲۰۷۳۸	آمل	۲۲۸۲۲۲۸
۲۰۶۱۶	لوشان	۹۱۱۱۳۸۵۹۶۵	۲۰۷۳۹	چالوس	۲۲۱۶۷۱۴
۲۰۶۱۸	رشت	۹۱۱۱۳۲۰۷۸۳	۲۰۷۴۰	سوادکوه	۵۲۲۲۶۸۸-۵۲۲۱۶۰۰
۲۰۶۱۹	بندر انزلی	۹۱۱۱۸۱۱۱۹۸	۲۰۷۴۱	رویان	۶۲۴۵۱۹۵-۶۴۴۲۷۴۸
۲۰۶۲۰	لشت نشاء	۹۱۱۳۳۵۳۳۵۶	۲۰۷۴۲	چمستان	۵۲۳۹۲۱۲
۲۰۶۲۱	کلاچای	۹۱۱۳۴۲۵۰۱۳	۲۰۷۴۳	ساری	۳۱۱۹۴۵۰-۳۲۵۵۴۶۵
۲۰۶۲۲	املش	۹۱۱۱۴۲۱۴۳۶	۲۱۹۰۱	اراک	۲۲۴۹۲۱۰
۲۰۶۲۴	لاهیجان	۹۱۱۱۴۱۴۳۴۵	۲۱۹۰۲	خمین	۲۲۲۴۴۱۰
۲۰۶۲۵	صومعه سرا	۹۱۱۳۸۲۱۰۴۱	۲۱۹۰۳	ساوه	۲۲۲۴۶۵۴-۲۲۲۰۹۰۰-۴۲۳۷۴۷۰-۱
۲۰۶۲۶	رشت	۹۱۱۱۳۱۴۹۷۶	۲۱۹۰۵	دلیجان	۴۲۲۸۱۹۰
۲۰۶۲۷	فومن	۰۹۱۱۱۳۸۶۰۹۷-۹۳۵۱۳۸۶۰۹۷	۲۱۹۰۶	اراک	۳۶۶۷۲۹۲-۳۶۸۸۴۴۰-۲
۲۰۶۲۸	آستارا	۹۱۱۱۸۵۴۹۸۱	۲۱۹۰۷	مامونیه	۵۲۳۸۹۱۸
۲۰۶۲۹	سیاهکل	۹۱۱۷۴۸۸۸۵۸	۲۱۹۰۸	محلات	۳۲۲۲۶۶۲
۲۰۶۳۰	رستم آباد رودبار	۹۱۱۳۳۷۱۸۵۹	۲۱۱۰۴	بندرلنگه	۲۲۴۴۶۶۱
۲۰۶۳۱	رشت	۹۱۱۳۳۵۲۰۵۱	۲۱۱۰۶	میناب	۲۲۸۳۰۷۴
۲۰۶۳۲	ماسال	۹۱۱۹۸۳۹۵۸۰	۲۱۱۱۱	بندرعباس	۳۳۵۰۰۲-۳۳۴۰۷۳۹
۲۰۶۳۳	آستارا	۹۱۱۱۸۵۵۱۵۳	۲۱۱۱۲	جزیره کیش	۴۴۶۲۶۷۴-۴۴۲۱۵۶۰
۲۰۷۱۸	بهشهر	۹۱۱۱۵۶۵۰۳-۹۱۱۸۶۳۵۸۴۴	۲۱۱۱۳	رودان	۴۲۲۷۰۵۲
۲۰۷۳۳	تنکابن	۹۱۱۱۹۲۶۷۵۵	۲۱۸۰۱	همدان	۲۵۱۳۳۳۴-۲۵۶۲۶۷۶-۶۲۴۶۷۴۵
۲۲۱۰۱	خرم آباد	۹۱۶۱۶۱۲۳۰۳	۲۱۸۰۲	ملایر	۲۲۲۸۹۰۰
۲۲۱۰۴	بروجرد	۹۱۶۱۶۲۳۴۰۱	۲۱۸۰۴	اسدآباد	۳۲۲۵۱۸۴
۲۲۱۰۵	الیگودرز	۹۱۶۶۶۴۲۰۴۹	۲۱۸۰۵	همدان	۲۵۴۵۵۹۳
۲۲۱۰۶	خرم آباد	۹۱۶۶۶۳۲۴۶۳	۲۱۸۰۶	کیبودرآهنگ	۵۲۳۶۹۹۶-۵۲۲۲۸۰۵
۲۲۱۰۷	پلدختر	۹۱۶۶۶۱۴۴۲۳	۲۱۳۰۲	یزد	۸۲۸۹۰۷۵

فهرست نمایندگان لوازم خانگی شرکت خدمات گلدیران

کد نماینده	شهر	تلفن
۲۱۳۰۳	یزد	۷۲۶۵۱۲۱-۷۲۴۹۹۱۴
۲۱۳۰۴	اردکان	۷۲۳۱۶۱۷
۲۱۳۰۵	هرات	۵۷۲۲۲۸۲-۵۷۲۲۰۰۹
۲۱۳۰۶	طیس	۴۲۳۴۰۴۶
۲۱۳۰۷	مهریز	۵۲۲۲۵۳۸-۵۲۲۹۳۹۹
۲۰۲۰۲	بیرجند	۴۴۳۳۳۰۹-۴۴۳۲۵۱۵
۲۲۳۰۶	قروه	۵۲۲۸۴۵۱
۵۰۱۸۵	تهران	۸۴۷۳۱۱۵۹-۸۴۷۳۱۱۰۱
۶۰۱۸۰	تهران	۵۶۵۴۶۴۸۹-۵۶۵۴۰۱۹۷
۶۰۱۸۳	اصفهان	۲۶۷۰۹۰۰
۶۰۱۸۴	تبریز	۳۳۶۷۹۴۹
۶۰۱۸۵	تهران	۸۴۷۳۱۱۱۱
۶۰۱۸۶	شیراز	۲۳۲۰۸۲۰
۶۰۱۸۷	مشهد	۸۴۵۳۲۴۰
۶۰۱۸۸	اهواز	۳۹۲۴۵۷۳

مرکز اطلاع رسانی و خدمات مشتریان گلدیران ۰۹۶۸۵