

Printing specification

	Drawn	Checked	Approved
Signature	Gwoon.lee	Seounggeun.kim	Jongok.kim
MMM/DD/YYYY	Dec/10/2013	Dec/10/2013	Dec/10/2013

1. Model Description

Model name	: 32MB24	Brand name	: LG	Part number	: MFL68024203
2nd, 3rd Suffix	: CN	Product name	: 32MB24	(Revision number)	: (1312-REV00)



2. Printing Specification

1. Trim size (Format)	: 182 mm x 257 mm (B5)
2. Printing colors	
• Cover	: 1 Color (Black)
• Inside	: 1 Color (Black)
3. Stock (Paper)	
• Cover	: Uncoated, wood-free paper 60 g/m ²
• Inside	: Uncoated, wood-free paper 60 g/m ²
4. Bindery	: Saddle stitching
5. Language	: ENG (1)
6. Number of pages	: 28
NOTE	"This part contains Eco-hazardous substances (Pb, Cd, Hg, Cr6+, PBB, PBDE, etc.) within LG standard level, Details should be followed Eco-SCM management standard[LG(56)-A-2524]. Especially, Part should be followed and controlled the following specification.
	(1) Eco-hazardous substances test report should be submitted when Part certification test and First Mass Production.
	(2) Especially, Don't use or contain lead(Pb) and cadmium(Cd) in ink.

3. Origin Notification

LGEAK	: Printed in Kazakhstan	LGEKR	: Printed in Korea	LGERS	: Printed in Mexico
LGEAZ	: Printed in Brazil	LGEMA	: Printed in Poland	LGESY	: Printed in China
LGEEG	: Printed in Egypt	LGEMX	: Printed in Mexico	LGETH	: Printed in Thailand
LGEIL	: Printed in India	LGEND	: Printed in China	LGEVN	: Printed in Vietnam
LGEIN	: Printed in Indonesia	LGERA	: Printed in Russia	LGEWR	: Printed in Poland
LGEAS	: Printed in Algeria				

4. Changes

				
				
				
				
				
				
				
				
				
				
Rev. Number	MMM/DD/YYYY	Signature	ECO Number	Change Contents

Pagination sheet

Part number : **MFL68024203**
(Revision number) : **(1312-REV00)**
Total pages : **28 pages**

Front (ENG) P/No.

2	...
---	-----

...	27
-----	----

Blank



OWNER'S MANUAL LCD LED MONITOR

Please read this manual carefully before operating your set and retain it for future reference.

LCD LED MONITOR MODEL
32MB24

P/NO : MFL68024203(1312-REV00)
Printed in Korea

www.lg.com

CONTENTS

3 IMPORTANT PRECAUTIONS

- 3 On Safety
- 3 - Do not Open the Display:
- 3 - To Avoid Personal Injury :
- 3 - To Prevent Fire or Hazards:
- 4 On Installation
- 5 On Cleaning
- 5 On Repacking
- 5 On Disposal(Only, LCD Monitor with Hg lamp)

6 LICENSE

7 ASSEMBLING AND PREPARING

- 7 Product Components
- 8 Component and Button Description
- 9 Moving and Lifting the Monitor
- 10 Installing the Monitor
- 10 - Assembling the stand base
- 11 - Mounting on a table
- 11 - Tidying cables
- 11 - Using the Kensington lock
- 12 - Installing the wall mount plate
- 12 - Installing on the Wall

14 USING THE MONITOR

- 14 Connecting to a PC
- 14 - D-SUB connection
- 15 - HDMI connection
- 15 Connecting AV Devices
- 15 - HDMI Connection
- 16 Connecting Peripherals
- 16 - Connecting Headphones

17 CUSTOMIZING SETTINGS

- 18 Customizing Settings
- 18 - Menu Settings
- 19 -Picture
- 20 -Color
- 21 -Display
- 21 -Volume
- 22 -Others

23 TROUBLESHOOTING

25 SPECIFICATIONS

- 26 Factory Support Mode (Preset Mode, D-SUB/HDMI PC)
- 26 HDMI TIMING
- 26 Indicator

27 PROPER POSTURE

- 27 Proper posture for using the Monitor set.

IMPORTANT PRECAUTIONS

This unit has been engineered and manufactured to ensure your personal safety, however improper use may result in potential electrical shock or fire hazards. In order to allow the proper operation of all safeguards incorporated in this display, observe the following basic rules for its installation, use, and servicing.

On Safety

Use only the power cord supplied with the unit. In case you use another power cord, make sure that it is certified by the applicable national standards if not being provided by the supplier. If the power cable is faulty in any way, please contact the manufacturer or the nearest authorized repair service provider for a replacement.

The appliance coupler is used as the disconnect device.

Please make sure the device is installed near the wall outlet to which it is connected and that the outlet is easily accessible.

Operate the display only from a power source indicated in the specifications of this manual or listed on the display. If you are not sure what type of power supply you have in your home, consult with your dealer.

Overloaded AC outlets and extension cords are dangerous. So are frayed power cords and broken plugs.

They may result in a shock or fire hazard. Call your service technician for replacement.

As long as this unit is connected to the AC wall outlet, it is not disconnected from the AC power source even if the unit is turned off.

Do not Open the Display:

- There are no user serviceable components inside.
- There are Dangerous High Voltages inside, even when the power is OFF.
- Contact your dealer if the display is not operating properly.

To Avoid Personal Injury :

- Do not place the display on a sloping shelf unless properly secured.
- Use only a stand recommended by the manufacturer.
- Do not drop an object on or apply impact to the product. Do not throw any toys or objects on the product screen.

It can cause injury to human, problem to product and damage the display.

To Prevent Fire or Hazards:

- Always turn the display OFF if you leave the room for more than a short period of time. Never leave the display ON when leaving the house.
- Keep children from dropping or pushing objects into the display's cabinet openings. Some internal parts carry hazardous voltages.
- Do not add accessories that have not been designed for this display.
- When the display is to be left unattended for an extended period of time, unplug it from the wall outlet.
- In the presence of thunder and lightning, never touch the power cord and signal cable because it can be very dangerous. It can cause electric shock.

On Installation

Do not allow anything to rest upon or roll over the power cord, and do not place the display where the power cord is subject to damage.

Do not use this display near water such as near a bathtub, washbowl, kitchen sink, laundry tub, in a wet basement, or near a swimming pool.

Displays are provided with ventilation openings in the cabinet to allow the release of heat generated during operation. If these openings are blocked, built-up heat can cause failures which may result in a fire hazard.

Therefore, NEVER:

- Block the bottom ventilation slots by placing the display on a bed, sofa, rug, etc.
- Place the display in a built-in enclosure unless proper ventilation is provided.
- Cover the openings with cloth or other material.
- Place the display near or over a radiator or heat source.

Do not rub or strike the Active Matrix LCD with anything hard as this may scratch, mar, or damage the Active Matrix LCD permanently.

Do not press the LCD screen with your finger for a long time as this may cause some afterimages.

Some dot defects may appear as Red, Green or Blue spots on the screen.

However, this will have no impact or effect on the display performance.

If possible, use the recommended resolution to obtain the best image quality for your LCD display. If used under any mode except the recommended resolution, some scaled or processed images may appear on the screen. However, this is characteristic of the fixed-resolution LCD panel.

Displaying a still image for long time on the monitor may leave persistent image or stain on the monitor screen. To avoid this problem, use a screen saver and power off when this product is not used. Persistent image or stain caused by long time usage are not covered by the warranty on this product.

Do not shock or scratch the front and sides of the screen with metallic objects.

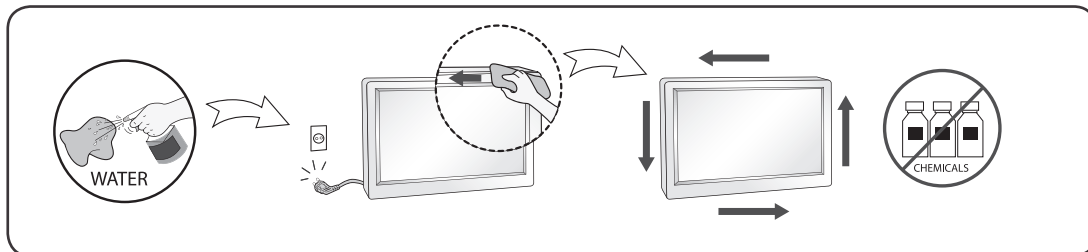
Otherwise, it may cause damage to the screen.

Make sure the panel faces forward and hold it with both hands to move. If you drop the product, the damaged product can cause electric shock or fire. Contact an authorized the service center for repair.

Avoid high temperatures and humidity.

On Cleaning

- Unplug the display before cleaning the face of the display screen.
- Use a slightly damp (not wet) cloth. Do not use an aerosol directly on the display screen because over-spraying may cause electrical shock.
- When cleaning the product, unplug the power cord and scrub gently with a soft cloth to prevent scratching. Do not clean with a wet cloth or spray water or other liquids directly onto the product. An electric shock may occur. (Do not use chemicals such as benzene, paint thinners or alcohol)
- Spray water onto a soft cloth 2 to 4 times, and use it to clean the front frame; wipe in one direction only. Too much moisture may cause staining.



On Repacking

- Do not throw away the carton and packing materials. They make an ideal container in which to transport the unit. When shipping the unit to another location, repack it in its original material.

On Disposal(Only, LCD Monitor with Hg lamp)

- The fluorescent lamp used in this product contains a small amount of mercury.
- Do not dispose of this product with general household waste.
- Disposal of this product must be carried out in accordance to the regulations of your local authority.

LICENSE

Each model has different licenses. Visit www.lg.com for more information on the license.

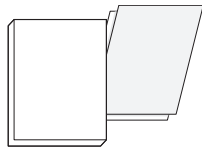


The terms HDMI and HDMI High-Definition Multimedia Interface, and the HDMI logo are trademarks or registered trademarks of HDMI Licensing LLC in the United States and other countries.

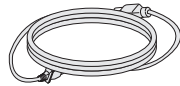
ASSEMBLING AND PREPARING

Product Components

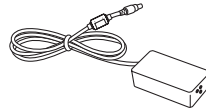
Check your product box for the following items. If there are any missing accessories, contact the local dealer where you purchased your product. The illustrations in this manual may differ from the actual product and accessories.



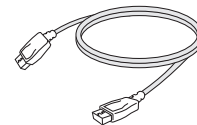
**Book(Owner's Manual)
/ Card**



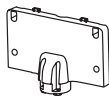
Power Cord



AC-DC Adapter



HDMI Cable



Stand Body



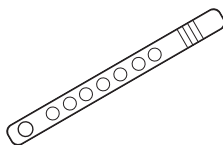
Stand Body



**Stand Screws
3EA, P5 x 25**



**Stand Screws
3EA, P5 x 25**



Cable holder



CAUTION

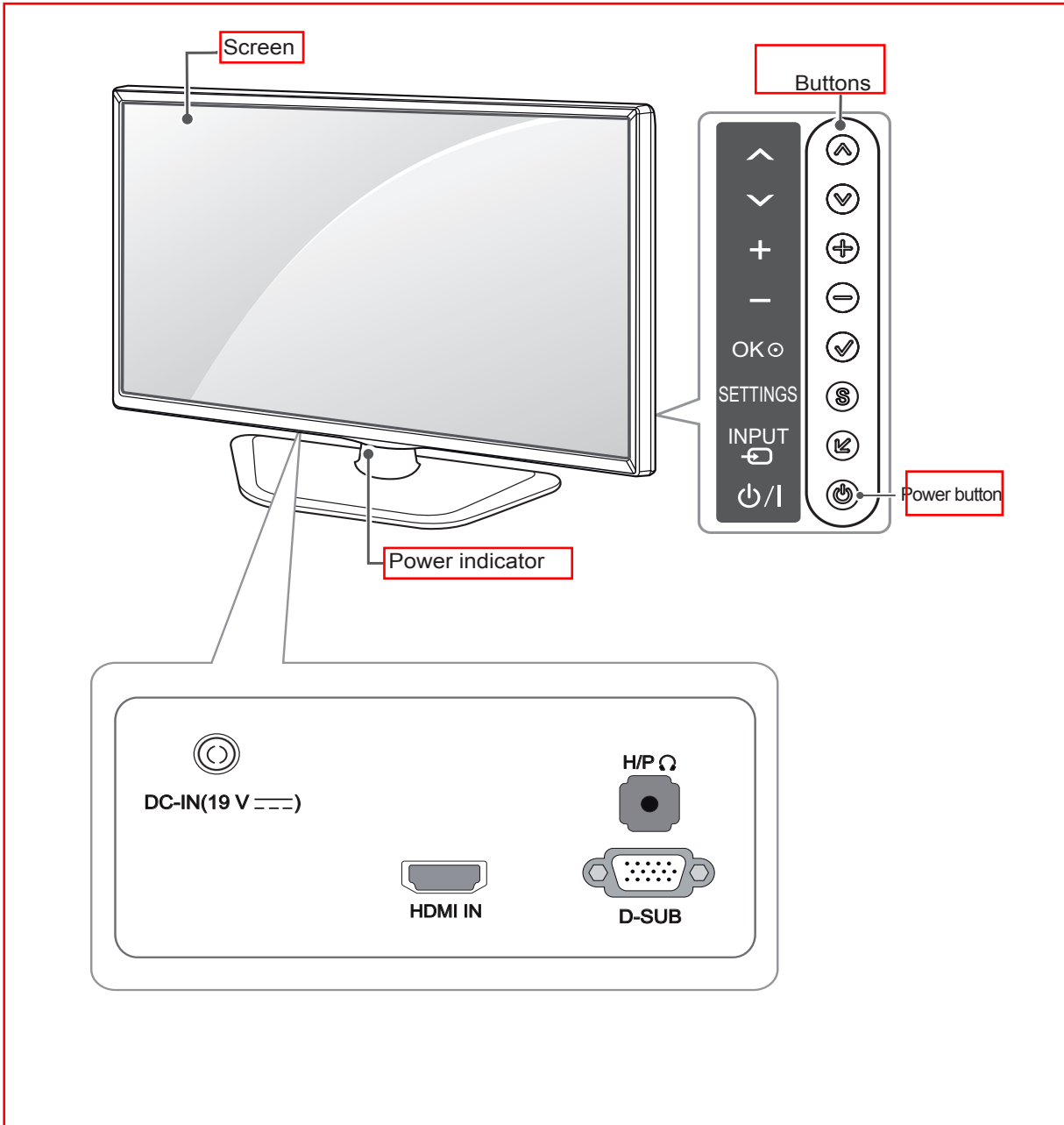
- Always use genuine components to ensure safety and product performance.
- The product warranty will not cover damage or injury caused by the use of counterfeit components.



NOTE

- Note that the components may look different from those shown here.
- Without prior notice, all information and specifications in this manual are subject to change to improve the performance of the product.
- To purchase optional accessories, visit an electronics store or online shopping site or contact the retail store where you purchased the product.
- The DisplayPort cable may not be available in some areas.

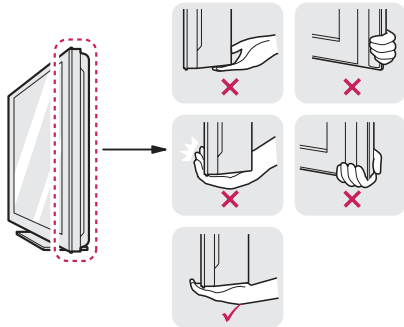
Component and Button Description



Moving and Lifting the Monitor

When moving or lifting the monitor, follow these instructions to prevent the monitor from being scratched or damaged and to ensure safe transportation regardless of its shape or size.

- It is advisable to place the monitor in the original box or packing material before attempting to move it.
- Before moving or lifting the monitor, disconnect the power cord and all cables.
- Hold the top and bottom of the monitor frame firmly. Do not hold the panel itself.



- When holding the monitor, the screen should face away from you to prevent it being scratched.



- When moving the monitor, avoid any strong shock or vibrations to the product.
- When moving the monitor, keep it upright, never turn the monitor on its side or tilt it sideways.



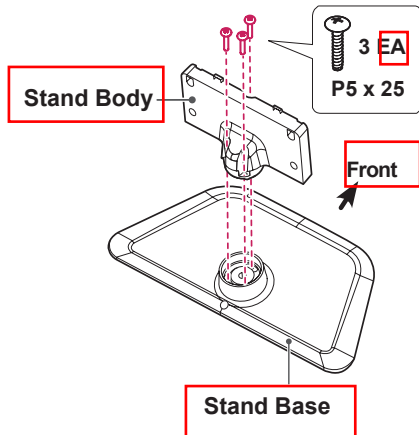
CAUTION

- As far as possible, avoid touching the monitor screen. This may result in damage to the screen or some of the pixels used to create images.

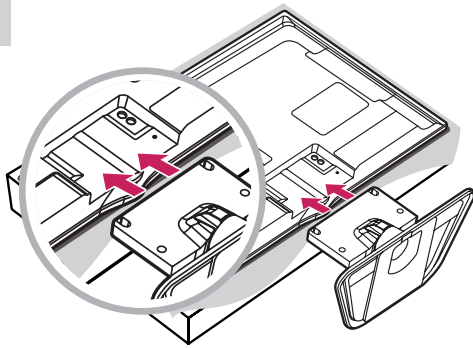
Installing the Monitor

Assembling the stand base

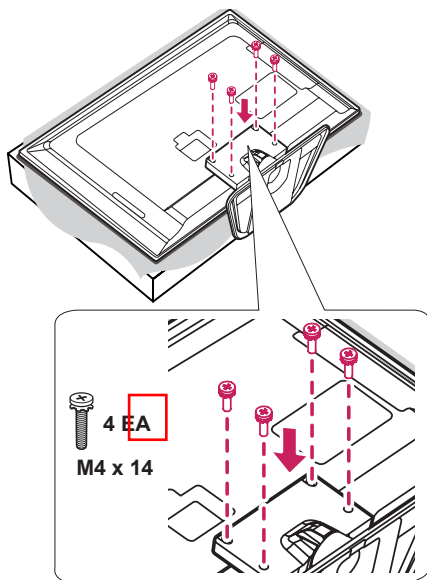
1



2



3



CAUTION

- Illustrations in this document represent typical procedures, so they may look different from the actual product.
- To protect the screen from scratches, cover the surface with a soft cloth.
- Applying excessive force when tightening screws may cause damage to the monitor. Damage caused in this way will not be covered by the product warranty.
- Do not carry the monitor upside down by just holding the base. This may cause the monitor to fall off the stand and could result in personal injury.
- When lifting or moving the monitor, do not touch the monitor screen. The force applied to the monitor screen may cause damage to it.

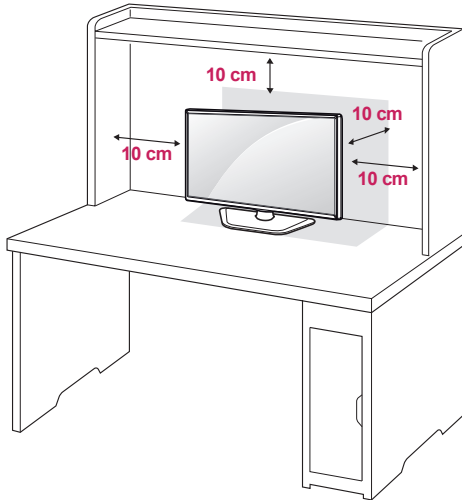


NOTE

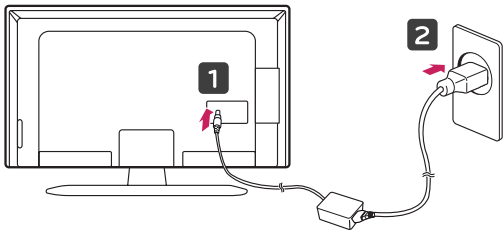
- Remove the stand before installing the TV on a wall mount by performing the stand attachment in reverse.

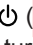
Mounting on a table

- 1 Lift and tilt the Monitor set into its upright position on a table.
Leave a 10 cm (minimum) space from the wall for proper ventilation.



- 2 Connect the power adapter to the monitor and then plug the power cord into the wall outlet.



- 3 Press the  (Power) button on the back of the monitor to turn it on.

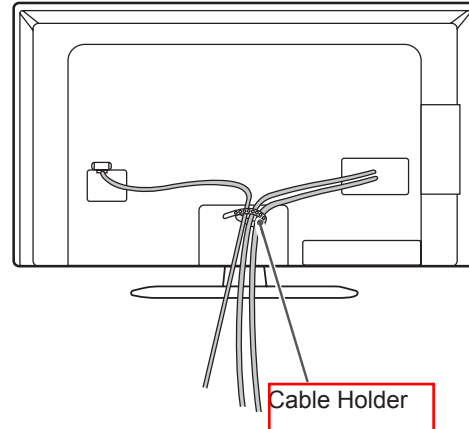


CAUTION

- Unplug the power cord prior to moving or installing the monitor. There is risk of electric shock.

Tidying cables

Gather and bind the cables with the supplied cable holder.

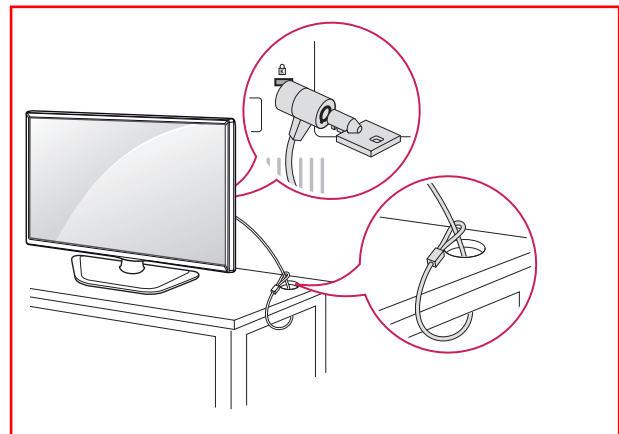


Using the Kensington lock

The connector for the Kensington lock is located at the rear of the monitor.

For more information on installation and usage, refer to the Kensington lock user manual or visit the website at <http://www.kensington.com>.

Connect the monitor to the table with the Kensington lock cable.



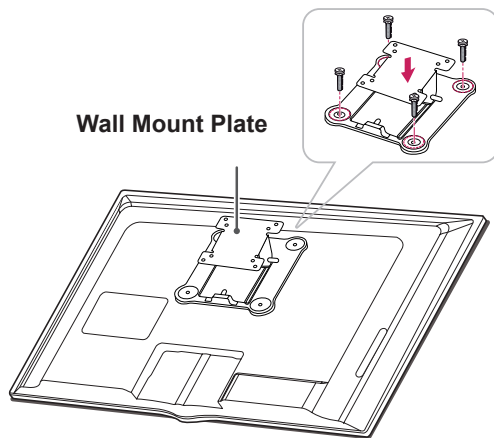
NOTE

- Use of the Kensington lock is optional. The accessories can be purchased at your local electronics store.

Installing the wall mount plate

This monitor supports the specification of the standard wall mount plate or compatible device.

- 1 Place the screen face down. To protect the screen from scratches, cover the surface with a soft cloth.
- 2 Place the wall mount plate onto the monitor and align it with the screw holes.
- 3 Using a screwdriver, tighten the four screws to fix the plate onto the monitor.

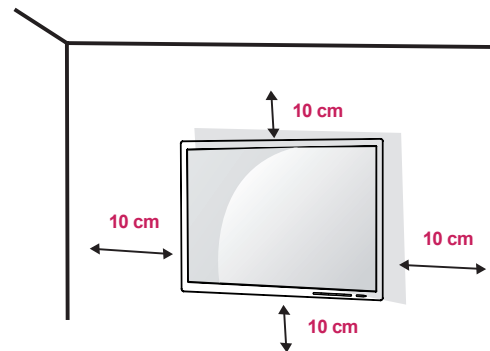


NOTE

- The wall mount plate is sold separately.
- For more information on installation, refer to the wall mount plate's installation guide.
- Be careful not to use excessive force when mounting the wall mount plate, as this can damage the monitor's screen.

Installing on the Wall

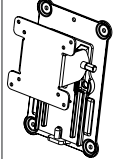
Install the monitor at least 10 cm away from the wall and leave about 10 cm of space at each side of the monitor to ensure sufficient ventilation. Detailed installation instructions can be obtained from your local retail store. Alternatively, please refer to the manual for how to install and set up a tilting wall mounting bracket.



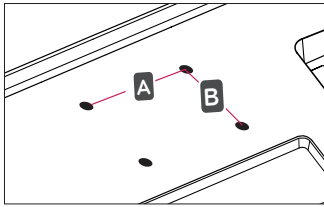
To install the monitor to a wall, attach a wall mounting bracket (optional) to the back of the monitor. Make sure that the wall mounting bracket is securely fixed to the monitor and to the wall.

- 1 Use the screws and wall mounting bracket that conform to VESA standards.
- 2 If you use screws longer than the standard length, it may damage the inside of the product.
- 3 A non-VESA standard screw may damage the product and cause the monitor to fall. LG Electronics is not liable for any accidents relating to the use of non-standard screws.
- 4 VESA compatible only with respect to screw mounting interface dimensions and mounting screw specifications.
- 5 Use the wall mount plate and fixing screws that conform to VESA standards as specified below.
 - 784.8 mm (30.9 inch) or less
 - * Thickness of the wall mount plate: 2.6 mm
 - * Fixing screw: Diameter 4.0 mm x Pitch 0.7 mm x Length 10 mm
 - 787.4 mm (31.0 inch) or more
 - * Use the wall mount plate and screws that conform to VESA standards.

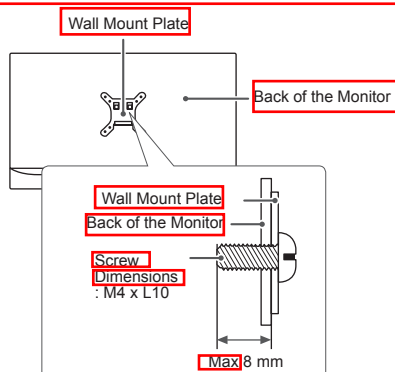
VESA (A x B)	75 x 75
Stand Screw	M4
Required Screws	4
Wall Mount Plate (Optional)	RW120



- VESA (A x B)

**CAUTION**

- Unplug the power cord before moving or installing the monitor to avoid electric shock.
- Installing the monitor on the ceiling or on a slanted wall may result in the monitor falling off, which could lead to injury. Use an authorized LG wall mount and contact the local dealer or qualified personnel.
- Applying excessive force when tightening screws may cause damage to the monitor. Damage caused in this way will not be covered by the product warranty.
- Use the wall mounting bracket and screws that conform to VESA standards. Damage caused by the use or misuse of inappropriate components will not be covered by the product warranty.
- When measured from the back of the monitor, the length of each installed screw must be 8 mm or less.



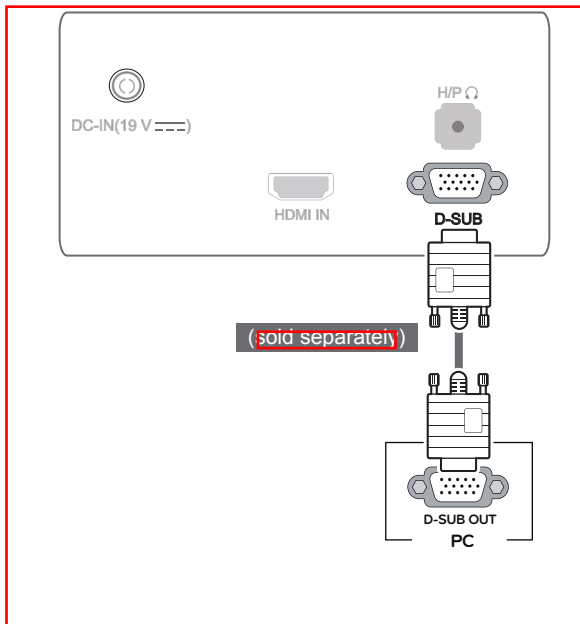
USING THE MONITOR

Connecting to a PC

- This monitor supports the *Plug and Play feature.
- *Plug and Play: A feature that allows you to add a device to your computer without having to reconfigure anything or install any manual drivers.

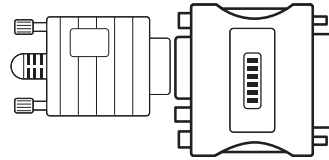
D-SUB connection

Transmits analog video from your PC to the Monitor set. Connect the PC and the Monitor set with the supplied D-sub 15 pin signal cable as shown in the following illustrations.



NOTE

- When using a D-Sub signal input cable connector for Macintosh



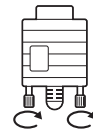
Mac adapter

For Apple Macintosh use, a separate plug adapter is needed to change the 15 pin high density (3 row) D-SUB VGA connector on the supplied cable to a 15 pin 2 row connector.

- When connecting the power cord to the outlet, use a grounded (3-hole) multi-socket or a grounded power outlet.
- The monitor may flicker when turned on in an area of low temperature. This is normal.
- Sometimes red, green, or blue spots may appear on the screen. This is normal.

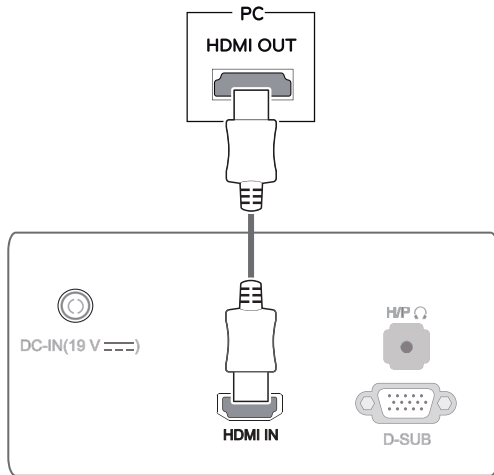
CAUTION

- Connect the input signal cable and turn it in the direction of the arrow as shown in the illustration. To prevent disconnection, secure the cable tightly.
- Do not press the screen for a prolonged time. This may cause image distortion.
- Do not display a still image on the screen for a prolonged time. This may cause image retention. Use a screensaver if possible.



HDMI connection

Transmits digital video and audio signals from your PC to the monitor. Connect your PC to the monitor using the HDMI cable as shown in the illustration below.



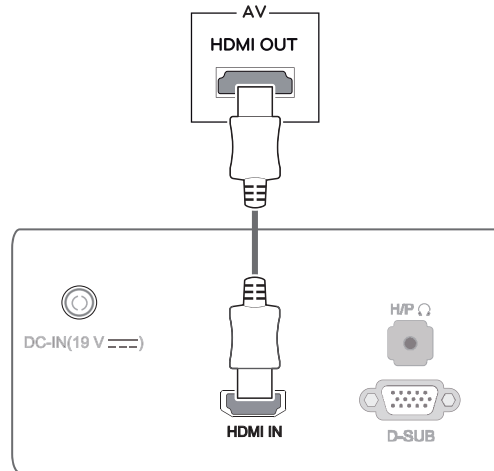
CAUTION

- Connecting your PC to the monitor using the HDMI cable may cause device compatibility issues.
- Using a DVI to HDMI cable may cause compatibility issues.

Connecting AV Devices

HDMI Connection

HDMI transmits digital video and audio signals from your AV device to the monitor. Connect your AV device to the monitor using the HDMI cable as shown in the illustration below.



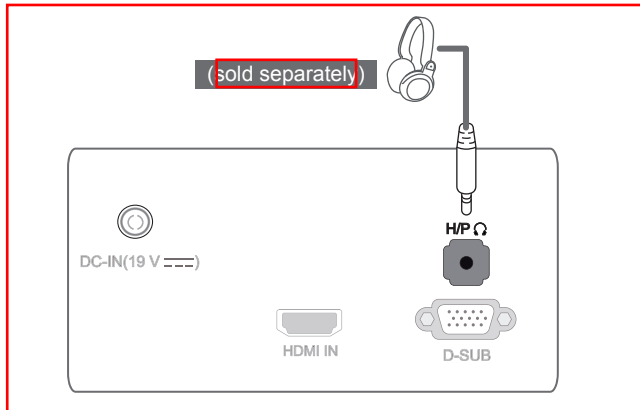
NOTE

- Using a DVI to HDMI cable may cause compatibility issues.

Connecting Peripherals

Connecting Headphones

Connect peripherals to the monitor via the headphones port. Connect as illustrated.

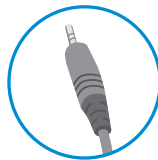


! NOTE

- Peripheral devices are sold separately.
- If you use [Angled] earphones, it may cause a problem with connecting another external device to the monitor. Therefore, it is recommended to use [Straight] earphones.



Angled

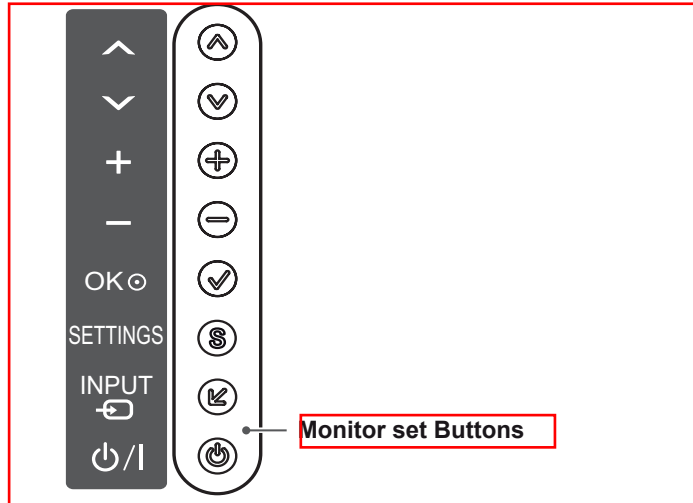


Straight

- Depending on the audio settings of the PC and external device, headphones and speaker functions may be limited.

CUSTOMIZING SETTINGS

- 1 Press the desired button on the back of the Monitor set.
- 2 Change the value of the menu item by pressing the buttons on the back of the Monitor set. To return to the upper menu or set other menu items, press SETTINGS button.
- 3 Press INPUT button to exit the main menu.

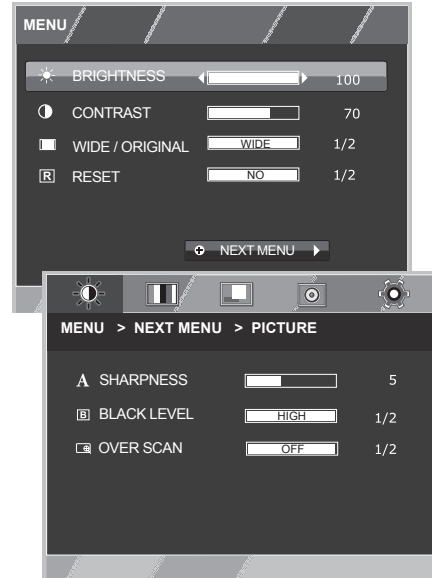


Button	Description
^ v	Moves the menu.
+ -	Adjusts the menu option and moves the OSD menu.
✓ (OK)	When adjusting your display settings, always press the OK button on the MONITOR SETUP OSD. (Only supported in Analog Mode.) The best display mode 1920 x 1080
S (SETTINGS)	Accesses the main menus. OSD Locked/OSD Unlocked This function allows you to lock the current control settings, so that they cannot be inadvertently changed. Press and hold the SETTINGS button for several seconds. The message "OSD LOCKED" should appear. You can unlock the OSD controls at any time by pushing the SETTINGS button for several seconds. The message "OSD UNLOCKED" should appear.
↶ (INPUT)	You can choose the input signal. <ul style="list-style-type: none"> • When two input signals are connected, you can select the input signal (D-SUB/ HDMI) you want. • When only one signal is connected, it is automatically detected. The default setting is D-SUB.
⏻ (Power Button)	Turns the power on or off. Power Indicator The power indicator stays red if the display is running properly (On Mode). If the display is in Sleep Mode, the power indicator blinks red.

Customizing Settings

Menu Settings

- 1 Press **SETTINGS** button on the back of the Monitor set to display the **Menu OSD**.
- 2 Set the options by pressing the + or - or v buttons.
- 3 Select the "**Next Menu**" button to enter the more option settings.
- 4 Press **INPUT** to leave the OSD menu.
To return to the upper menu or set other menu items, press **SETTINGS** button.



Each option is explained below.

Menu	Analog	HDMI	Description
Brightness	•	•	To adjust the brightness, contrast of the screen
Contrast	•	•	
Wide/Original	•	•	Wide Switch to full screen mode according to input image signal.
			Original Change the input image signal ratio to original. * This function works only if input resolution is lower than Monitor set ratio (16:9).
Reset	•	•	Restore all factory default settings. Press the ◀ , ▶ buttons to reset immediately.

Menu > Next Menu	Analog	HDMI	Description
Picture	•	•	Sharpness To adjust the clearness of the screen .
			Black Level To set offset level
			Overscan To improve the clarity and stability of the screen
Color	•	•	Gamma To customize the color of the screen
			Color Temp
Display	•		Horizontal To adjust the position of the screen
			Vertical
	•		Clock To improve the clarity and stability of the screen
			Phase
Volume		•	To adjust the Volume
Others	•	•	Language To customize the screen status for a user's operating environment
			Power Indicator
			Response Time Sets a response time for displayed pictures based on the speed of the screen.

- **Analog:** D-SUB(Analog signal) input.
- **HDMI:** HDMI(Digital signal) input.

Picture

- 1 Press **SETTINGS** button on the back of the Monitor set to display the **Menu** OSD.
- 2 Select the "**Next Menu**" button to enter the more option settings.
- 3 Enter to **Picture** by pressing the + button.
- 4 Set the options by pressing the + or - or ∇ buttons.
- 5 Press **INPUT** to leave the OSD menu.
To return to the upper menu or set other menu items, press **SETTINGS** button.



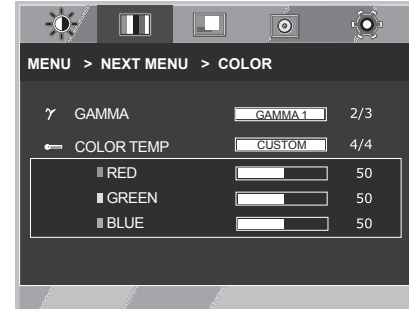
ENGLISH

Each option is explained below.

Menu > Next Menu > Picture	Description
Sharpness	To adjust the clearness of the screen.
Black Level	You can set the offset level. If you select 'High', the screen will be bright and if you select 'Low', the screen will be dark.(only for HDMI input) * Offset?As the criteria for video signal, it is the darkest screen the monitor can show.
Overscan	To select the range of output image for DTV timing in HDMI input.(only for HDMI input)Recommend overscan function to turn on when connect AV equipment.

Color

- 1 Press **SETTINGS** button on the back of the Monitor set to display the **Menu** OSD.
- 2 Select the "**Next Menu**" button to enter the more option settings.
- 3 Select **Color** by pressing the + button.
- 4 Enter to **Color** by pressing the button.
- 5 Set the options by pressing the + or - or buttons.
- 6 Press **INPUT** to leave the OSD menu.
To return to the upper menu or set other menu items, press **SETTINGS** button.

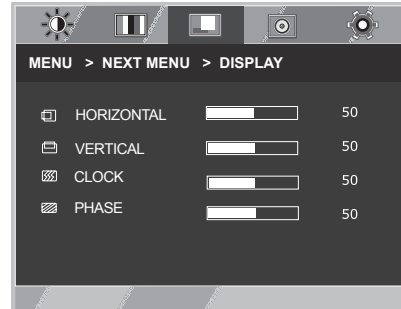


Each option is explained below.

Menu > Next Menu > Color	Description
Gamma	Set your own gamma value. : Gamma 0, Gamma 1, Gamma 2 on the monitor, high gamma values display whitish images and low gamma values display blackish images.
Color Temp	<p>Custom</p> <ul style="list-style-type: none"> • Red: Set your own red color levels. • Green: Set your own green color levels. • Blue: Set your own blue color levels. <p>Select the screen color.</p> <p>Warm: Set the screen to warm color temperature (more red). Medium: Set the screen to medium color temperature. Cool: Set the screen to cool color temperature (more blue).</p>

Display

- 1 Press **SETTINGS** button on the back of the Monitor set to display the **Menu** OSD.
- 2 Select the "Next Menu" button to enter the more option settings.
- 3 Select **Display** by pressing the + button.
- 4 Enter to **Display** by pressing the button.
- 5 Set the options by pressing the + or - or buttons.
- 6 Press **INPUT** to leave the OSD menu.
To return to the upper menu or set other menu items, press **SETTINGS** button.

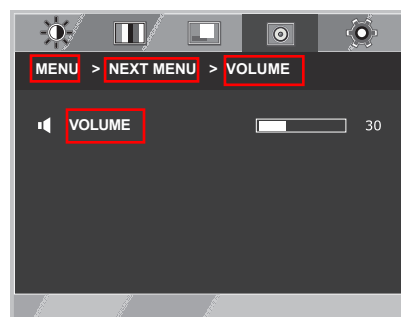


Each option is explained below.

Menu > Next Menu > Display	Description
Horizontal	To move image left and right.
Vertical	To move image up and down.
Clock	To minimize any vertical bars or stripes visible on the screen background. The horizontal screen size will also change.
Phase	To adjust the focus of the display. This item allows you to remove any horizontal noise and clear or sharpen the image of characters.

Volume

- 1 Press **SETTINGS** button on the back of the Monitor set to display the **Menu** OSD.
- 2 Select the "Next Menu" button to enter the more option settings.
- 3 Select **Volume** by pressing the + button.
- 4 Enter to **Volume** by pressing the button.
- 5 Set the options by pressing the + or - buttons.
- 6 Press **INPUT** to leave the OSD menu.
To return to the upper menu or set other menu items, press **SETTINGS** button.

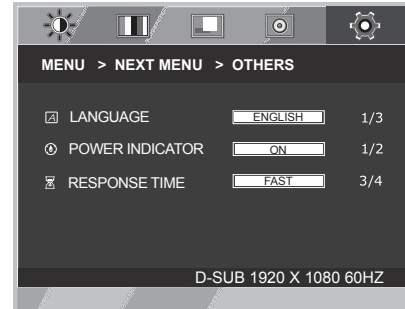


Each option is explained below.

Menu > Next Menu > Volume	Description
Volume	To adjust the Volume of headphone/earphone.(Only for HDMI input)

Others

- 1 Press **SETTINGS** button on the back of the Monitor set to display the **Menu OSD**.
- 2 Select the "**Next Menu**" button to enter the more option settings.
- 3 Select **Others** by pressing the + button.
- 4 Enter to **Others** by pressing the button.
- 5 Set the options by pressing the + or - or buttons.
- 6 Press **INPUT** to leave the OSD menu.
To return to the upper menu or set other menu items, press **SETTINGS** button.



Each option is explained below.

Menu > Next Menu > Others	Description								
Language	To choose the language in which the control names are displayed.								
Power Indicator	Use this function to set the power indicator on the bottom side of the monitor to On or Off. If you set Off, it will go off. If you set On at any time, the power indicator will automatically be turned on.								
Response Time	<p>Sets a response time for displayed pictures based on the speed of the screen. For a normal environment, it is recommended that you use Normal. For a fast-moving picture, it is recommended that you use Fast. Setting to Fast may cause image sticking.</p> <table border="1"> <tr> <td><input type="checkbox"/> Off</td> <td>the response time is turned off.</td> </tr> <tr> <td><input type="checkbox"/> High</td> <td>Sets the response time to High.</td> </tr> <tr> <td><input type="checkbox"/> Middle</td> <td>Sets the response time to Middle.</td> </tr> <tr> <td><input type="checkbox"/> Low</td> <td>Sets the response time to Low.</td> </tr> </table>	<input type="checkbox"/> Off	the response time is turned off.	<input type="checkbox"/> High	Sets the response time to High.	<input type="checkbox"/> Middle	Sets the response time to Middle.	<input type="checkbox"/> Low	Sets the response time to Low.
<input type="checkbox"/> Off	the response time is turned off.								
<input type="checkbox"/> High	Sets the response time to High.								
<input type="checkbox"/> Middle	Sets the response time to Middle.								
<input type="checkbox"/> Low	Sets the response time to Low.								

TROUBLESHOOTING

Check the following before calling for service.

No image appears	
Is the power cord of the display connected?	<ul style="list-style-type: none"> • Check and see if the power cord is connected properly to the power outlet.
Is the power indicator light on?	<ul style="list-style-type: none"> • Press the Power button.
Is the power on and the power indicator Red?	<ul style="list-style-type: none"> • Adjust the brightness and the contrast.
Is the power indicator flickering?	<ul style="list-style-type: none"> • If the display is in power saving mode, try moving the mouse or pressing any key on the keyboard to bring up the screen. • Try to turn on the PC.
Do you see an "OUT OF RANGE" message on the screen?	<ul style="list-style-type: none"> • This message appears when the signal from the PC (video card) is out of horizontal or vertical frequency range of the display. See the 'Specifications' section of this manual and configure your display again.
Do you see a "NO SIGNAL" message on the screen?	<ul style="list-style-type: none"> • When the monitor is on "No-Signal" in 5 minutes, the monitor goes to DPM mode.

Do you see a "OSD LOCKED" message on the screen?	
Do you see "OSD LOCKED" when you push MENU button?	<ul style="list-style-type: none"> • You can secure the current control settings, so that they cannot be inadvertently changed. You can unlock the OSD controls at any time by pushing the MENU button for several seconds: the message "OSD UNLOCKED" will appear.

Display image is incorrect	
Display Position is incorrect.	<ul style="list-style-type: none"> • Press the AUTO button to automatically adjust your display image to the ideal setting.
On the screen background, vertical bars or stripes are visible.	<ul style="list-style-type: none"> • Press the AUTO button to automatically adjust your display image to the ideal setting.
Any horizontal noise appearing in any image or characters are not clearly portrayed.	<ul style="list-style-type: none"> • Press the AUTO button to automatically adjust your display image to the ideal setting. • Check Control Panel ► Display ► Settings and adjust the display to the recommended resolution or adjust the display image to the ideal setting. Set the color setting higher than 24 bits (true color).

! NOTE

- **Vertical Frequency:** In order to display an image, the screen must be refreshed dozens of times per second like a fluorescent lamp.
The number of times the screen is refreshed per second is called vertical frequency or refresh rate and is represented by Hz.
- **Horizontal Frequency:** The time it takes to display one horizontal line is called the horizontal cycle.
The number of horizontal lines displayed in one second can be calculated by dividing one by the horizontal cycle. This is called horizontal frequency and is represented by kHz.

**CAUTION**

- Check **Control Panel ► Display ► Settings** and see if the frequency or the resolution were changed. If yes, readjust the video card to the recommend resolution.
- If the recommended resolution (optimal resolution) is not selected, letters may be blurred and the screen may be dimmed, truncated or biased. Make sure to select the recommend resolution.
- The setting method can differ by computer and O/S (Operation System), and resolution mentioned above may not be supported by the video card performance. In this case, please ask to the computer or the video card manufacturer.

Display image is incorrect	
The screen color is mono or abnormal.	<ul style="list-style-type: none"> • Check if the signal cable is properly connected and use a screwdriver to fasten if necessary. • Make sure the video card is properly inserted in the slot. • Set the color setting higher than 24 bits (true color) at Control Panel ► Settings.
The screen blinks.	<ul style="list-style-type: none"> • Check if the screen is set to interlace mode and if yes, change it to the recommend resolution.

The screen is flickering.	
Did you select the recommended resolution?	<ul style="list-style-type: none"> • If the selected resolution is HDMI 1080i 60/50 Hz, the screen may be flickering. Change the resolution to the recommended resolution 1080P.

SPECIFICATIONS

Display	Screen Type	80.131 cm (31.55 inch) TFT (Thin Film Transistor) LCD (Liquid Crystal Display) Screen Diagonal length of the screen: 86.6 cm
	Pixel Pitch	0.36375 mm x 0.36375 mm
Resolution	Max	1920 x 1080 @ 60 Hz
	Recommend	1920 x 1080 @ 60 Hz
Video Signal	Horizontal Frequency	30 kHz to 83 kHz
	Vertical Frequency	56Hz to 75Hz (D-SUB) 56Hz to 61Hz (HDMI)
	Synchronization	Separate Sync.
Input Connector	15 pin D-SUB Connector / HDMI Connector	
Power Sources	Voltage	19 V --- 1.3 A
	Power Consumption(Typical)	On Mode: 47 W (Typ)
		Sleep Mode ≤ 0.5 W Off Mode ≤ 0.5 W
AC-DC Adapter	LCAP35 type, manufactured by Lien Chang Electronic	
	OUTPUT: 19 V --- 2.53 A	
Environmental conditions	Operating Temperature	10°C to 35°C
	Operating Humidity	10% to 80%
	Storage Temperature Storage Humidity	-20°C to 60°C 5% to 90% non-Condensing
Dimensions (Width x Height x Depth)	With Stand	738.0 mm x 497.0 mm x 207.0 mm
	Without Stand	738.0 mm x 449.0 mm x 75.6 mm
Weight	Without Packaging	6.3 kg

Product specifications shown above may be changed without prior notice due to upgrade of product functions.

Factory Support Mode (Preset Mode, D-SUB/HDMI PC)

Display Modes (Resolution)	Horizontal Frequency(kHz)	Vertical Frequency(Hz)	Polarity(H/V)	
720 x 400	31.468	70.08	-/+	
640 x 480	31.469	59.94	-/-	
640 x 480	37.5	75	-/-	
800 x 600	37.879	60.317	+/+	
800 x 600	46.875	75	+/+	
1024 x 768	48.363	60	-/-	
1024 x 768	60.023	75.029	+/+	
1152 x 864	67.5	75	+/+	
1280 x 1024	63.981	60.02	+/+	
1280 x 1024	79.976	75.035	+/+	
1680 x 1050	65.29	59.954	-/+	
1920 x 1080	67.50	60	+/+	Recommend Mode

* D-SUB/HDMI DTV Mode is not supported (interlace mode)

HDMI TIMING

Display Modes (Resolution)	Horizontal Frequency(kHz)	Vertical Frequency(Hz)	
480P	31.5	60	
576P	31.25	50	
720P	37.5	50	
720P	45	60	
1080i	28.12	50	
1080i	33.75	60	
1080P	56.25	50	
1080P	67.5	60	Recommend Mode

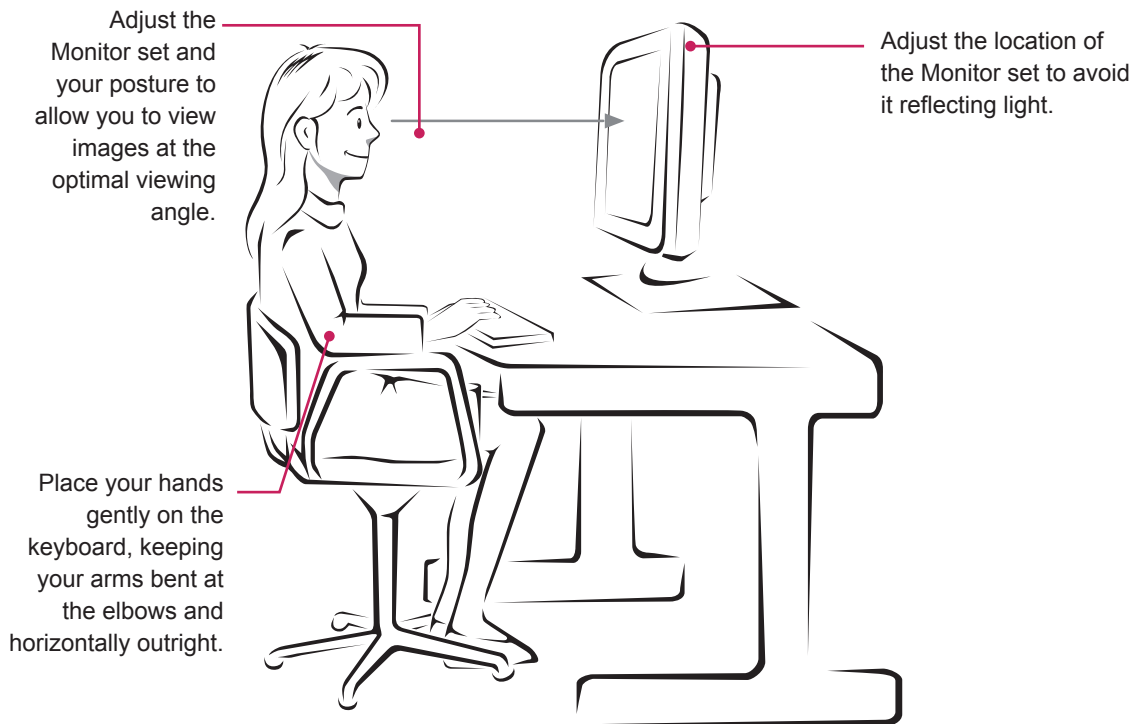
Indicator

Mode	LED Color
On Mode	White
Sleep Mode	Blinking White
Off Mode	Off

PROPER POSTURE

Proper posture for using the Monitor set.

ENGLISH





Make sure to read the Safety Precautions before using the product.
Keep the Owner's Manual in an accessible place for future reference.
The model and serial number of the SET is located on the back and one side of the SET.
Record it below should you ever need service.

MODEL _____

SERIAL _____