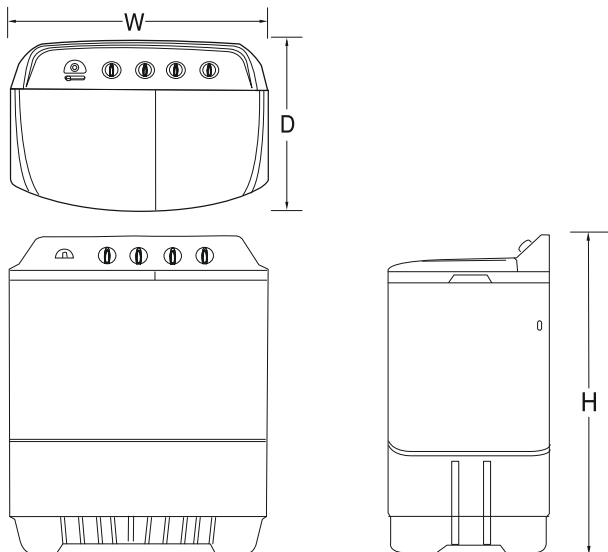


# SPECIFICATIONS



## WP-900R

| Power source   | On specification label                     |
|----------------|--|
| Water Level    | H : 60 Litres                              |
| Water Pressure | Less than 100 kPa (1 kgf/cm <sup>2</sup> ) |
| Dimension      | 795 x 470 x 975 mm. (W x D x H)            |
| Weight         | 25.5 kg                                    |

## OWNER'S MANUAL

# WASHING MACHINE

Please read this manual carefully before operating your set. Retain it for future reference.

MODEL : WP-900R



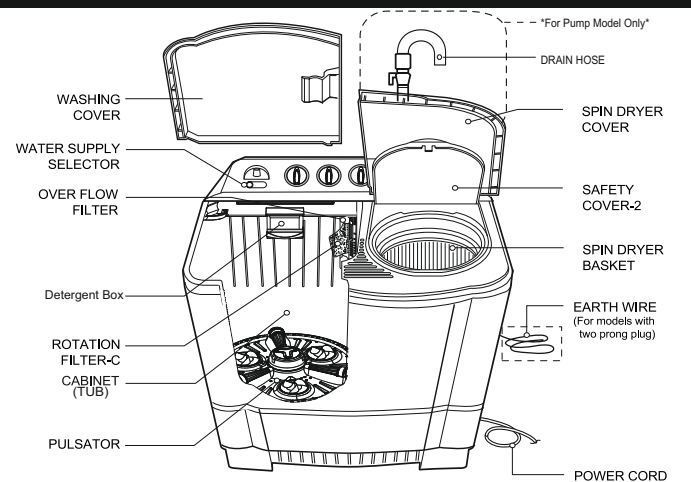
P/No. : MFL68505523

# SAFETY MEASURE

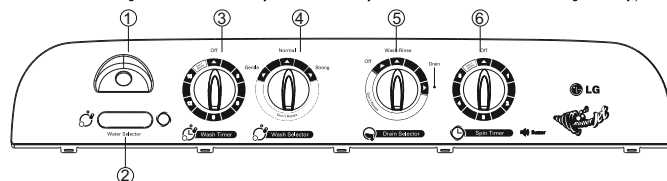
| WARNING   |   |
|---|---|
| <b>Installation Area</b> <ul style="list-style-type: none"> <li>Avoid area exposed to snow, rain, or where humidity is high. It may cause electric shock.</li> </ul>  | <b>Heat</b> <ul style="list-style-type: none"> <li>Avoid electric heater, candle light, cigarette light, bug smoker, etc. near the machine. It may ignite or deform plastic part.</li> </ul>  |
| <b>Switch Area</b> <ul style="list-style-type: none"> <li>Avoid watering on the switch area. It may cause electric shock or fire.</li> </ul>  | <b>Hot water</b> <ul style="list-style-type: none"> <li>Avoid using hot water over 50°C. It may deform plastic parts or cause malfunction.</li> </ul>   |
| <b>Volatile Material</b> <ul style="list-style-type: none"> <li>Do not use volatile material such as Benzene, Gasoline, bug killer.</li> <li>Do not leave strong alkaline substance such as bleach inside the tub. Damage on plastic surface and rubber parts may occur.</li> </ul>   | <b>In Operation</b> <ul style="list-style-type: none"> <li>Do not insert the hand inside the spin dryer basket while the machine is in operation (Do not let children climb on the machine or climb into the tub. Injury may occur.)</li> <li>Do not drain the water out of the wash tub while the spin dryer basket is in operation. Otherwise the spin motor could be damaged.</li> </ul> |
| <b>Installation</b> <ul style="list-style-type: none"> <li>Install the washing machine on a horizontal support. Otherwise, it may cause vibration and noise.</li> </ul>   | <b>Power Cord</b> <ul style="list-style-type: none"> <li>If the power supply cord is damaged, it must only be replaced by the manufacturer or its service agent or a similarly qualified person in order to avoid a hazard.</li> <li>Do not treat the power supply cord with your wet hand. It may cause electric shock.</li> </ul>   |
| <ul style="list-style-type: none"> <li>Be sure to disconnect the power cord from the electric outlet before starting care and maintenance. It may cause electric shock.</li> </ul>  | <b>Electric Outlet</b> <ul style="list-style-type: none"> <li>Avoid connecting several electric devices to single outlet. It may cause fire.</li> </ul>   |
| <ul style="list-style-type: none"> <li>This appliance is not intended for use by persons (including children) with reduced physical, sensory or mental capabilities, or lack of experience and knowledge, unless they have been given supervision or instruction concerning use of the appliance by person responsible for their safety. Children should be supervised to ensure that they do not play with the appliance.</li> </ul> |   |

• If this product is used for commercial purpose, it is not warranted. (Example : Public places such as public bathroom, lodging house, training center, dormitory)  
If the product is installed outside the normal service area, any cost of transportation involved in the repair of the product or the replacement of a defective part, shall be borne by the owner.

# FEATURES



(Please do not match this figure with model as it may be different from your model. These are schematic diagrams only.)



- 1. Water Supply Inlet**  
Connect here with the inlet hose from the water faucet to feed water to the tub.
- 2. Water Selector**  
Select "WASH" to supply water for washing and rinsing and "SPIN" for spin shower rinse.
- 3. Wash Timer**  
Select the desired time for washing or rinsing.
- 4. Wash Selector**  
Set the program to "Gentle", "Normal", "Strong" according to kind and quantity of the laundry.

- 5. Drain Selector**  
Select "Wash-Rinse" for washing and rinsing and "Drain" to drain the water out of the Cabinet, and "Off" to turn off the drain pump.
- 6. Spin Timer**  
Select the desired time for spinning. The maximum limit is 5 min, but shall not be continued over 3 cycle. Don't rotate the knob more than prescribed limit.  
\*\* After 3 times continuous spinning, please stop spinning more than 1 hour, otherwise the spin motor may be damaged or fire or stop operation.

# INSTALLATION

## Installation area

- Set on flat and firm floor.
- Incorrect installation may cause severe noise and break down.

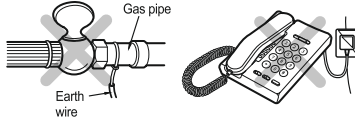


- Maintain more than 10 cm. between the side of drain hose and the wall.
- A carpet must not obstruct the ventilation openings.



## Connecting the earth wire (only for models with two prong plug)

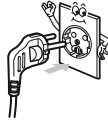
- Install the earth wire to prevent short-circuit due to leaking current and electric shock.
- It is attached at the back of the washer. Connect it to the metal water pipe. If the water pipe is made of plastic, it does not have the earth effect.
- Do not connect the earth wire to the gas pipe, lightning arrester, telephone connector, etc.



⚠ Warning-the appliance with two-pronged plug must be grounded

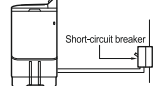
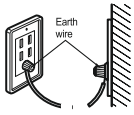
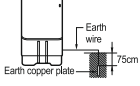
## Connecting the power plug

- Insert the power plug into the outlet.
- Before connecting the power plug, check if the voltage setting of the washer matches the outlet voltage.
- If AC outlet with ground terminal is used, grounding is not needed. If not, never forget earthing (earthing method above).
- The appliance must be positioned so that the plug is accessible



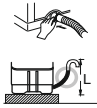
## Other earthing method

- After connecting the earth wire to the earth copper plate, bury it at least 75cm deep under the wet ground.
- Connect to the earthing-only outlet.
- If grounding methods as described are not possible, a separate circuit-breaker should be employed and installed by a qualified electrician.



## Connecting the drain hose

- Push the clamp toward the body of the washing machine as shown in the figure.
- $L \leq 1 \text{ m}$ .



# INSTALLATION & HOW TO WASH

## Before washing

1. Check the washing instruction labels on the clothing to be washed.
2. Remove all objects from the pockets of the clothing. Objects left in the pockets may damage clothing or break the washing machine (could cause the drain hose to clog).
3. Wash after separating oiled or dyed clothing.
4. For your convenience hang up the wash cover on the right side of the washing machine tub when not in use.

## Remove this before washing



## How to wash

|   |  |  |
|---|--|--|
| <p><b>1</b> Set the drain selector<br/>Set as "off" position.</p> <p>Drain Selector</p>   | <p><b>5</b> Select the wash selector to "Gentle", "Normal" or "Strong" according to the kinds and quantity of the laundry. (Refer to Table 2)</p> <p>Wash Selector</p> | <p><b>7</b> When washing is finished, locate the drain selector to "Drain" position and drain the water out.</p> <p>Drain Selector</p>   |
| <p><b>2</b> Set the water selector to "WASH"</p> <p>Water Selector</p>  | <p><b>6</b> Set the desired wash time.</p> <p>Wash Timer</p>   | <p><b>8</b> Spinning in the spin dryer basket. Move the laundry into spin dryer basket. Put the laundry down lightly. Place the safety cover horizontally on the laundry. Set the desired spin time with the spin timer.</p> |
| <p><b>3</b> Put the appropriate amount of detergent into detergent box and the laundry into the wash tub. And add water to the desired water level which you want. (Refer to Table 2)</p> | <p><b>4</b> Open water supply and fill water till water level mark "H". That is because clothes can absorb adequate amount of water and water will not short.</p>      |  |

# HOW TO RINSE & HOW TO SPIN

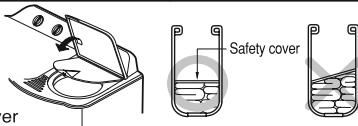
## Interim spin rinse

- Interim spin rinse prior to regular rinsing helps removing sudsy water from the laundry and improve rinsing efficiency. Also is helpful to water saving.

|   |   |   |
|---|---|---|
| <p><b>1</b> After washing.<br/>• Move the laundry into the spin dryer basket.<br/>• Place the safety cover horizontally on the laundry.</p> | <p><b>2</b> Set the water selector to "SPIN".</p> <p>Water Selector</p> | <p><b>4</b> After interim spin rinse, move the laundry into the wash tub for rinsing.</p> |
| <p><b>3</b> Set the desired water flow and spin time appropriately.</p> <p>S in Timer</p>   |   |   |

## Note for spinning

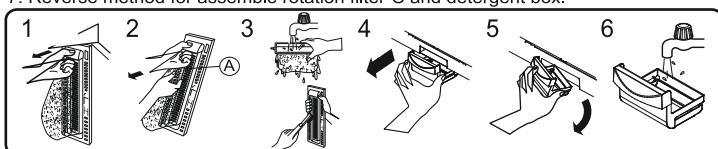
1. Put the laundry evenly into the spin dryer basket.
2. Put the laundry down lightly.
3. Place the safety cover horizontally over the laundry, washing machine may get damage if the safety cover is not placed.
4. Close the spin dryer cover.
5. Do not drain the water out of the wash tub while the spin dryer basket is in operation.
- If the spin dryer basket is off-balance and vibrates excessively, stop the spinning, rearrange the clothes evenly, and then resume spinning.
- If the spinning fail to stop when the spin dryer cover is opened, the brake is out of order. Immediately stop using the machine and request repair service.



# CARE & MAINTENANCE

## Rotation filter-C & Detergent box

1. Pull the overflow filter forward from the wash tub in the direction of the arrow.
2. Lift up the area (A) of the over flow filter and take out the rotation filter-C by pulling in direction as shown.
3. Turn the net over and rinse in water, use a brush to remove the lint which has adhered to the overflow filter.
4. Pull the detergent box follow the arrow direction in picture 4.
5. Press at side of detergent box and rotate down follow the arrow direction in picture 5.
6. Clean detergent box with water.
7. Reverse method for assemble rotation filter-C and detergent box.



# REFERENCE

TABLE 1. WEIGHT GUIDE FOR CLOTHES

| Type of clothing         | Type of fabric | Weight per piece |
|--------------------------|----------------|------------------|
| Under shirt              | Cotton         | 150g(5.3 oz)     |
| Handkerchief             | Cotton         | 50g(1.8oz)       |
| Bath towel               | Cotton         | 300g(10.6oz)     |
| Shirt                    | Mixed fabric   | 200g(7.1oz)      |
| Socks (1 pair)           | Mixed fabric   | 50g(1.8oz)       |
| Pajama (shirt and pants) | Cotton         | 500g(17.6oz)     |
| Winter undershirt        | Woolen         | 600g(21.2oz)     |
| Workclothes              | Mixed fabric   | 800g(28.2oz)     |
| Blouse                   | Mixed fabric   | 200g(7.1 oz)     |

TABLE 2. GUIDE FOR WASHING

| Type of Fabric               | Wash Selector | Wash Time  | Water Level | Amount of Laundry(kg) | Amount of Water (Ltr) | Amount of Detergent (gms) |
|------------------------------|---------------|------------|-------------|-----------------------|-----------------------|---------------------------|
| Woolen, Knits                | GENTLE        | ~5 min.    | H           | 0.5-1.2               | 60                    | 60-70                     |
|                              |               |            | L           | 0.5-4.0               | 50                    | 45-51                     |
| Synthetics, Silk             | GENTLE        | ~5 min.    | M           | 4.0-4.6               | 55                    | 54-58                     |
|                              |               |            | H           | 4.6-6.5               | 60                    | 60-70                     |
|                              |               |            | L           | 0.5-4.0               | 50                    | 45-51                     |
| Cotton, Linen                | NORMAL        | 5-10 min.  | M           | 4.0-4.6               | 55                    | 54-58                     |
|                              |               |            | H           | 4.6-6.5               | 60                    | 60-70                     |
|                              |               |            | L           | 0.5-4.0               | 50                    | 45-51                     |
| Very soiled cotton and linen | STRONG        | 10-15 min. | M           | 4.0-4.6               | 55                    | 54-58                     |
|                              |               |            | H           | 4.6-6.5               | 60                    | 60-70                     |
|                              |               |            | L           | 0.5-4.0               | 50                    | 45-51                     |

### Notes :

- Amount of laundry is a weight of dry laundry.
- Detergent is a general synthetic detergent.

⚠ CAUTION : Fill in wash to height 20mm above the level you desire. When washing starts water level will automatically come to level you desire.

# TROUBLESHOOTING GUIDE

## Before Requesting Service

| Problem                             | Checking point  |
|-------------------------------------|---|
| Motor does not operate,             | <ul style="list-style-type: none"> <li>• Is the power cord firmly plugged in?</li> <li>• Is the timer turned to a suitable point except "Off" ?</li> </ul>  |
| Spin dryer basket does not operate. | <ul style="list-style-type: none"> <li>• Is there any clothing dropped between the basket and tub?</li> <li>• Is the spin dryer cover closed?</li> <li>• Is the laundry gathered to one side of the spin dryer basket?</li> </ul> |
| Water does not enter washer         | <ul style="list-style-type: none"> <li>• Is the water faucet hooked up?</li> <li>• Is the water faucet frozen?</li> </ul>   |
| No draining                         | <ul style="list-style-type: none"> <li>• Is there lint stuck in the plunger valve?</li> <li>• Is the drain pump operated?</li> <li>• Is the drain hose twisted?</li> </ul>  |