



OWNER'S MANUAL LED TV*

* LG LED TV applies LCD screen with LED backlights.

Please read this manual carefully before operating your TV and retain it for future reference.

28LN500B

P/NO : MFL68086901 (1401-REV00)




www.lg.com


IMPORTANT SAFETY INSTRUCTIONS

Always comply with the following precautions to avoid dangerous situations and ensure peak performance of your product.





TO REDUCE THE RISK OF ELECTRIC SHOCK DO NOT REMOVE COVER (OR BACK). NO USER SERVICEABLE PARTS INSIDE. REFER TO QUALIFIED SERVICE PERSONNEL.


 The lightning flash with arrowhead symbol, within an equilateral triangle, is intended to alert the user to the presence of uninsulated "dangerous voltage" within the product's enclosure that may be of sufficient magnitude to constitute a risk of electric shock to persons.

 The exclamation point within an equilateral triangle is intended to alert the user to the presence of important operating and maintenance (servicing) instructions in the literature accompanying the appliance.

WARNING/CAUTION
- TO REDUCE THE RISK OF FIRE AND ELECTRIC SHOCK, DO NOT EXPOSE THIS PRODUCT TO RAIN OR MOISTURE.

 **WARNING**
If you ignore the warning message, you may be seriously injured or there is a possibility of accident or death.

 **CAUTION**
If you ignore the caution message, you may be slightly injured or the product may be damaged.

 **NOTE**
The note helps you understand and use the product safely. Please read the note carefully before using the product.

Read these instructions.
Keep these instructions.
Heed all warnings.
Follow all instructions.



- Do not allow the television to become wet.



- Clean only with a dry cloth.



- Do not block any ventilation openings. Install in accordance with the manufacturer's instructions.



- Do not install near any heat sources such as radiators, heat registers, stoves, or other apparatus (including amplifiers) that produce heat.



- Do not defeat the safety purpose of the polarized or grounding-type plug. A polarized plug has two blades with one wider than the other. A grounding type plug has two blades and a third grounding prong. The wide blade or the third prong are provided for your safety. If the provided plug does not fit into your outlet, consult an electrician for replacement of the obsolete outlet (Can differ by country).



- Do not press strongly upon the panel with a hand or a sharp object such as a nail, pencil or pen, or make a scratch on it.



- Protect the power cord from being walked on or pinched particularly at plugs, convenience receptacles, and the point where they exit from the apparatus.



- Only use attachments/accessories specified by the manufacturer.



- Use only with a cart, stand, tripod, bracket, or table specified by the manufacturer, or sold with the apparatus. When a cart is used, use caution when moving the cart/apparatus combination to avoid injury from tip-over.



- Unplug this apparatus during lightning storms or when unused for long periods of time.



- Refer all servicing to qualified service personnel. Servicing is required when the apparatus has been damaged in any way, such as power-supply cord or plug is damaged, liquid has been spilled or objects have fallen into the apparatus, the apparatus has been exposed to rain or moisture, does not operate normally, or has been dropped.



- Do not stick metal objects or any other conductive material into the power cord. Do not touch the end of the power cord while it is plugged in.
- Keep the packing anti-moisture material or vinyl packing out of the reach of children. Anti-moisture material is harmful if swallowed. If swallowed by mistake, induce vomiting and go to the nearest hospital. Additionally, vinyl packing can cause suffocation. Keep it out of the reach of children.

- **CAUTION** concerning the Power Cord (Can differ by country):

It is recommended that appliances be placed upon a dedicated circuit; that is, a single outlet circuit which powers only that appliance and has no additional outlets or branch circuits. Check the specification page of this owner's manual to be certain. Do not connect too many appliances to the same AC power outlet as this could result in fire or electric shock. Do not overload wall outlets. Overloaded wall outlets, loose or damaged wall outlets, extension cords, frayed power cords, or damaged or cracked wire insulation are dangerous. Any of these conditions could result in electric shock or fire. Periodically examine the cord of your appliance, and if its appearance indicates damage or deterioration, unplug it, discontinue use of the appliance, and have the cord replaced with an exact replacement part by an authorized service. Protect the power cord from physical or mechanical abuse, such as being twisted, kinked, pinched, closed in a door, or walked upon. Pay particular attention to plugs, wall outlets, and the point where the cord exits the appliance. Do not move the TV with the power cord plugged in. Do not use a damaged or loose power cord. Be sure do grasp the plug when unplugging the power cord. Do not pull on the power cord to unplug the TV.



- **Warning** - To reduce the risk of fire or electrical shock, do not expose this product to rain, moisture or other liquids. Do not touch the TV with wet hands. Do not install this product near flammable objects such as gasoline or candles, or expose the TV to direct air conditioning.



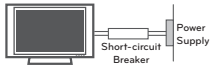
- Do not expose to dripping or splashing and do not place objects filled with liquids, such as vases, cups, etc. on or over the apparatus (e.g. on shelves above the unit).



ENGLISH

• **Grounding**

(Except for devices which are not grounded.) Ensure that you connect the earth ground wire to prevent possible electric shock (i.e. a TV with a three-prong grounded AC plug must be connected to a three-prong grounded AC outlet). If grounding methods are not possible, have a qualified electrician install a separate circuit breaker. Do not try to ground the unit by connecting it to telephone wires, lightening rods, or gas pipes.

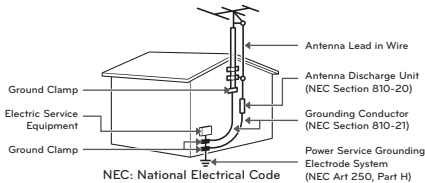


- As long as this unit is connected to the AC wall outlet, it is not disconnected from the AC power source even if the unit is turned off.
- Do not attempt to modify this product in any way without written authorization from LG Electronics. Unauthorized modification could void the user's authority to operate this product.

• **Outdoor Antenna Grounding** (Can differ by country):

If an outdoor antenna is installed, follow the precautions below. An outdoor antenna system should not be located in the vicinity of overhead power lines or other electric light or power circuits, or where it can come in contact with such power lines or circuits as death or serious injury can occur. Be sure the antenna system is grounded so as to provide some protection against voltage surges and built-up static charges. Section 810 of the National Electrical Code (NEC) in the U.S.A. provides information with respect to proper grounding of the mast and supporting structure, grounding of the lead-in wire to an antenna discharge unit, size of grounding conductors, location of antenna discharge unit, connection to grounding electrodes and requirements for the grounding electrode.

Antenna grounding according to the National Electrical Code, ANSI/NFPA 70



• **Cleaning**

When cleaning, unplug the power cord and wipe gently with a soft cloth to prevent scratching. Do not spray water or other liquids directly on the TV as electric shock may occur. Do not clean with chemicals such as alcohol, thinners, or benzene.

• **Moving**

Make sure the product is turned off, unplugged, and all cables have been removed. It may take 2 or more people to carry larger TVs. Do not press or put stress on the front panel of the TV.

• **Ventilation**

Install your TV where there is proper ventilation. Do not install in a confined space such as a bookcase. Do not cover the product with cloth or other materials while plugged. Do not install in excessively dusty places.

- If you smell smoke or other odors coming from the TV, unplug the power cord and contact an authorized service center.
- Keep the product away from direct sunlight.
- Never touch this apparatus or antenna during a lightning storm.
- When mounting a TV on the wall, make sure not to install the TV by hanging the power and signal cables on the back of the TV.
- Do not allow an impact shock, any objects to fall into the product, and do not drop anything onto the screen.

• **Disconnecting the Main Power**

The power outlet used with this device must remain easily accessible.

- Store the accessories (battery, etc.) in a safe location out of the reach of children.
- This apparatus uses batteries. In your community there might be regulations that require you to dispose of these batteries properly due to environmental considerations. Please contact your local authorities for disposal or recycling information.
- Do not dispose of batteries in a fire.
- Do not short circuit, disassemble, or allow the batteries to overheat.

- **Dot Defect**

The panel is a high technology product with resolution of two million to six million pixels. In a very few cases, you could see fine dots on the screen while you're viewing the TV. Those dots are deactivated pixels and do not affect the performance and reliability of the TV.

- **Generated Sound**

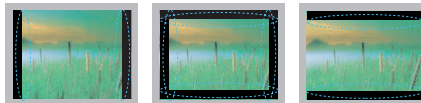
Cracking noise: A cracking noise that occurs when watching or turning off the TV is generated by plastic thermal contraction due to temperature and humidity. This noise is common for products where thermal deformation is required.

Electrical circuit humming/panel buzzing: A low level noise is generated from a high-speed switching circuit, which supplies a large amount of current to operate a product. It varies depending upon the product.

This generated sound does not affect the performance and reliability of the product.

- Take care not to touch the ventilation openings. When watching the TV for a long period, the ventilation openings may become hot. This does not affect the performance of the product or cause defects in the product.
- Do not install this product on a wall if it could be exposed to oil or oil mist. This may damage the product and cause it to fall.
- If the TV feels cold to the touch, there may be a small flicker when it is turned on. This is normal, there is nothing wrong with TV. Some minute dot defects may be visible on the screen, appearing as tiny red, green, or blue spots. However, they have no adverse effect on the TV's performance. Avoid touching the LCD screen or holding your finger(s) against it for long periods of time. Doing so may produce some temporary distortion effects on the screen.

Preventing image burn or burn-in on your TV screen



- If a fixed image displays on the TV screen for a long period of time, it will be imprinted and become a permanent disfigurement on the screen. This is image burn or burn-in and not covered by the warranty.
- If the aspect ratio of the TV is set to 4:3 for a long period of time, image burn may occur on the letterboxed area of the screen.
- Avoid displaying a fixed image on the TV screen for a long period of time (2 or more hours for LCD, 1 or more hours for the Plasma TV) to prevent image burn.

LICENSES

Supported licenses may differ by model. For more information about licenses, visit www.lg.com.



Manufactured under license from Dolby Laboratories. "Dolby" and the double-D symbol are trademarks of Dolby Laboratories.



The terms HDMI and HDMI High-Definition Multimedia Interface, and the HDMI logo are trademarks or registered trademarks of HDMI Licensing LLC in the United States and other countries.



ABOUT DIVX VIDEO: DivX[®] is a digital video format created by DivX, LLC, a subsidiary of Rovi Corporation. This is an official DivX Certified[®] device that has passed rigorous testing to verify that it plays DivX video. Visit divx.com for more information and software tools to convert your files into DivX video.

ABOUT DIVX VIDEO-ON-DEMAND: This DivX Certified[®] device must be registered in order to play purchased DivX Video-on-Demand (VOD) movies. To obtain your registration code, locate the DivX VOD section in your device setup menu. Go to vod.divx.com for more information on how to complete your registration.

"DivX Certified[®] to play DivX[®] video up to HD 1080p, including premium content."

"DivX[®], DivX Certified[®] and associated logos are trademarks of Rovi Corporation or its subsidiaries and are used under license."

"Covered by one or more of the following U.S. patents:
7,295,673; 7,460,668; 7,515,710; 7,519,274"

OPEN SOURCE SOFTWARE NOTICE

To obtain the source code under GPL, LGPL, MPL and other open source licenses, that is contained in this product, please visit <http://opensource.lge.com>.

In addition to the source code, all referred license terms, warranty disclaimers and copyright notices are available for download.

LG Electronics will also provide open source code to you on CD-ROM for a charge covering the cost of performing such distribution (such as the cost of media, shipping and handling) upon email request to opensource@lge.com. This offer is valid for three (3) years from the date on which you purchased the product.

! NOTE

- Image shown may differ from your TV.
- Your TV's OSD (On Screen Display) may differ slightly from that shown in this manual.
- The available menus and options may differ from the input source or product model that you are using.
- New features may be added to this TV in the future.

ASSEMBLING AND PREPARING

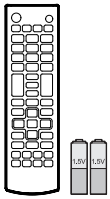
Unpacking

Check your product box for the following items. If there are any missing accessories, contact the local dealer where you purchased your product. The illustrations in this manual may differ from the actual product and item.



CAUTION

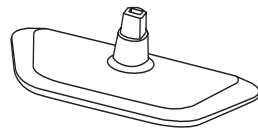
- Do not use any unapproved items to ensure the safety and product life span.
- Any damages or injuries by using unapproved items are not covered by the warranty.
- Some models appear to have a thin film on the screen. It is actually part of the screen; do not remove it.



Remote Control, Batteries
(AAA)



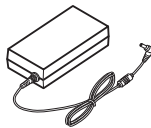
Owner's Manual



Stand Base



Power Cord

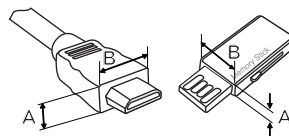


AC/DC Adapter



NOTE

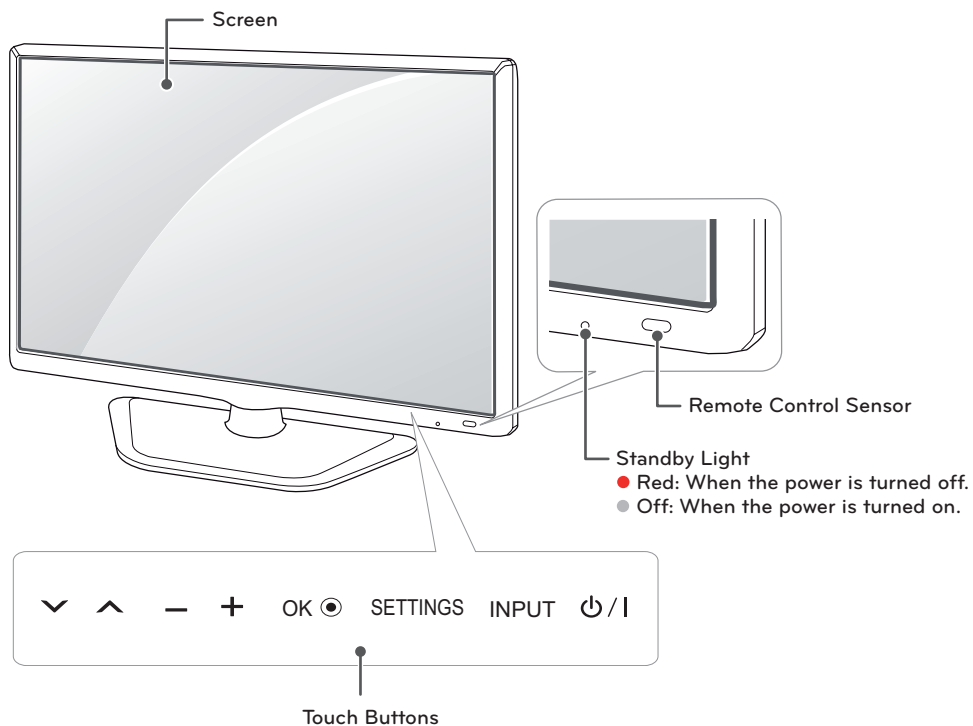
- The items supplied with your product may vary depending upon the model.
- Product specifications or contents of this manual may be changed without prior notice due to upgrade of product functions.
- For an optimal connection, HDMI cables and USB devices should have bezels less than 10 mm thick and 18 mm width.
- Use an extension cable that supports USB 2.0 if the USB cable or USB flash drive does not fit into your TV's USB port.



*A ≤ 10 mm

*B ≤ 18 mm

Parts and Buttons



ENGLISH

Touch buttons	Description
▼ ▲	Scrolls through the saved channels.
- +	Adjusts the volume level.
OK ●	Selects the highlighted menu option or confirms an input.
SETTINGS	Accesses the main menus, or saves your input and exits the menus.
INPUT	Changes the input source.
⏻/I	Turns the power on or off.

! NOTE

- All of the buttons are touch sensitive and can be operated through simple touch with your finger.

Lifting and moving the TV

When moving or lifting the TV, read the following to prevent the TV from being scratched or damaged and for safe transportation regardless of its type and size.



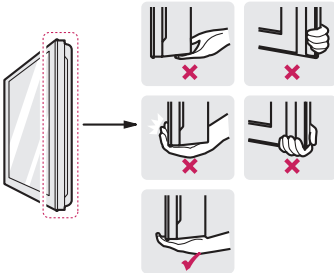
CAUTION

- Avoid touching the screen at all times, as this may result in damage to the screen.
- Do not place the product on the floor with its front facing down. Failure to do so may result in damage to the screen.

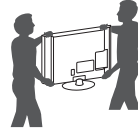
- It is recommended to move the TV in the box or packing material that the TV originally came in.
- Before moving or lifting the TV, disconnect the power cord and all cables.
- When holding the TV, the screen should face away from you to avoid damage.



- Hold the top and bottom of the TV frame firmly. Make sure not to hold the transparent part, speaker, or speaker grill area.



- Use at least two people to move a large TV.
- When transporting the TV by hand, hold the TV as shown in the following illustration.



- When transporting the TV, do not expose the TV to jolts or excessive vibration.
- When transporting the TV, keep the TV upright; never turn the TV on its side or tilt towards the left or right.

Setting up the TV

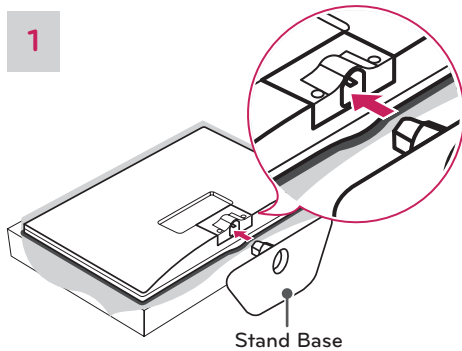
Image shown may differ from your TV.

Attaching the stand

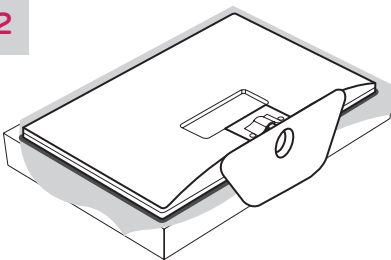
⚠ CAUTION

- When attaching the stand to the TV set, place the screen facing down on a cushioned table or flat surface to protect the screen from scratches.

1



2

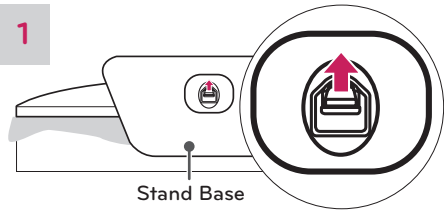


Detaching the Stand

⚠ CAUTION

- When detaching the stand from the TV set, place the screen facing down on a cushioned table or flat surface to protect the screen from scratches.

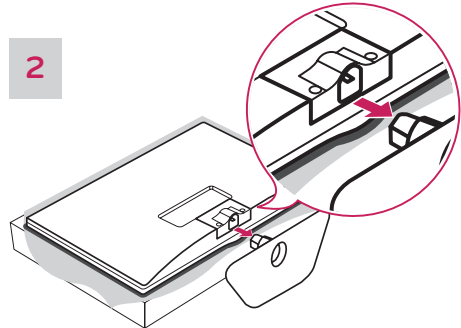
1



⚠ NOTE

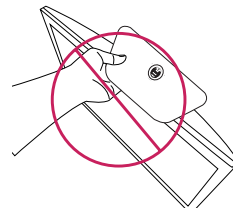
- Lift up the latch at the bottom of the stand base and detach the stand base from the TV.

2



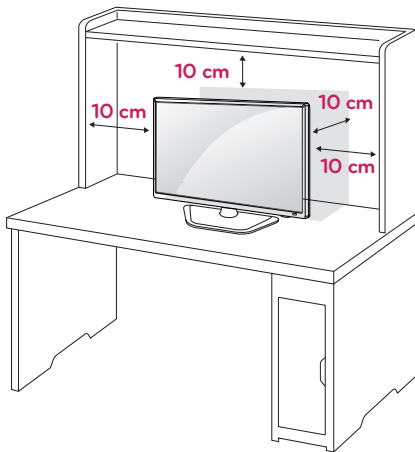
⚠ CAUTION

- Do not carry the TV upside-down by holding the stand base as this may cause it to fall off, resulting in damage or injury.
- The illustration shows a general example of installation and may look different from the actual product.

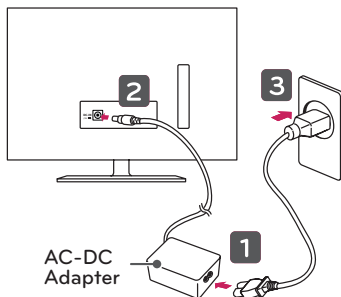


Mounting on a table

- 1 Lift and tilt the TV into its upright position on a table.
 - Leave a 10 cm (minimum) space from the wall for proper ventilation.



- 2 Connect the **AC-DC Adapter** and **Power Cord** to a wall outlet.



⚠ CAUTION

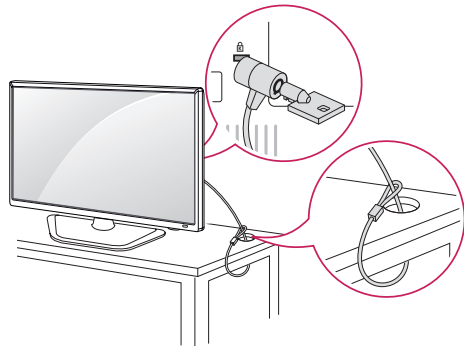
- Do not place the TV near or on sources of heat, as this may result in fire or other damage.
- Please be sure to connect the TV to the AC-DC power adapter before connecting the TV's power plug to a wall power outlet.

Using the Kensington security system (optional)

(Depending upon model)

The Kensington security system connector is located at the back of the TV. For more information of installation and using, refer to the manual supplied with the Kensington security system or visit <http://www.kensington.com>.

Connect the Kensington security system cable between the TV and a table.

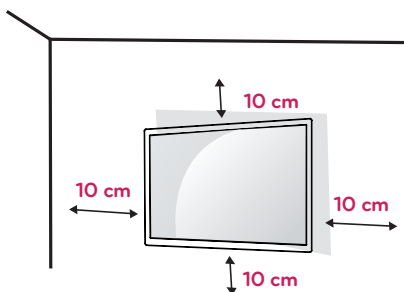


! NOTE

- The Kensington security system is optional. You can obtain additional accessories from most electronics stores.

Mounting on a wall

For proper ventilation, allow a clearance of 10 cm on each side and from the wall. Detailed installation instructions are available from your dealer, see the optional Tilt Wall Mounting Bracket Installation and Setup Guide.

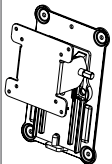


If you intend to mount the TV to a wall, attach Wall mounting interface (optional parts) to the back of the set.

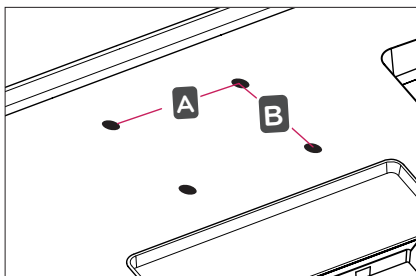
When you install the TV using the wall mounting interface (optional parts), attach it carefully so it will not drop.

- 1 Please, Use the screw and wall mount interface in accordance with VESA Standards.
- 2 If you use screw longer than standard, the TV might be damaged internally.
- 3 If you use improper screw, the product might be damaged and drop from mounted position. In this case, LG Electronics is not responsible for it.
- 4 VESA compatible only with respect to screw mounting interface dimensions and mounting screw specifications.
- 5 Please use VESA standard as below.
 - 784.8 mm and under
 - * Wall Mount Pad Thickness: 2.6 mm
 - * Screw: Φ 4.0 mm x Pitch 0.7 mm x Length 10 mm
 - 787.4 mm and above

- Please use VESA standard wall mount pad and screws.

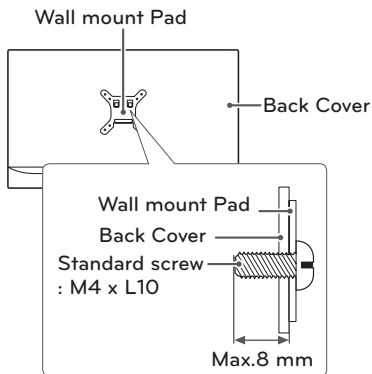
Model	28LN500B
VESA (A x B)	100 x 100
Standard screw	M4
Number of screws	4
Wall mount bracket (optional)	RW120 

- VESA (A x B)



⚠ CAUTION

- Disconnect the power before moving or installing the TV. Otherwise electric shock may occur.
- If you install the TV on a ceiling or slanted wall, it may fall and result in severe injury.
- Use an authorized LG wall mount and contact the local dealer or qualified personnel. When using a third-party wall mount, it is not covered by the warranty.
- Do not over tighten the screws as this may cause damage to the TV and void your warranty.
- Use the screws and wall mounts that meet the VESA standard. Any damages or injuries by misuse or using an improper accessory are not covered by the warranty.
- Screw length from outer surface of back cover should be under 8 mm.



! NOTE

- Use the screws that are listed in the VESA standard screw specifications.
- The wall mount kit includes an installation manual and necessary parts.
- The wall mount bracket is optional. You can obtain additional accessories from your local dealer.
- The length of screws may differ depending upon the wall mount. Make sure to use the proper length.
- For more information, refer to the manual supplied with the wall mount.

MAKING CONNECTIONS

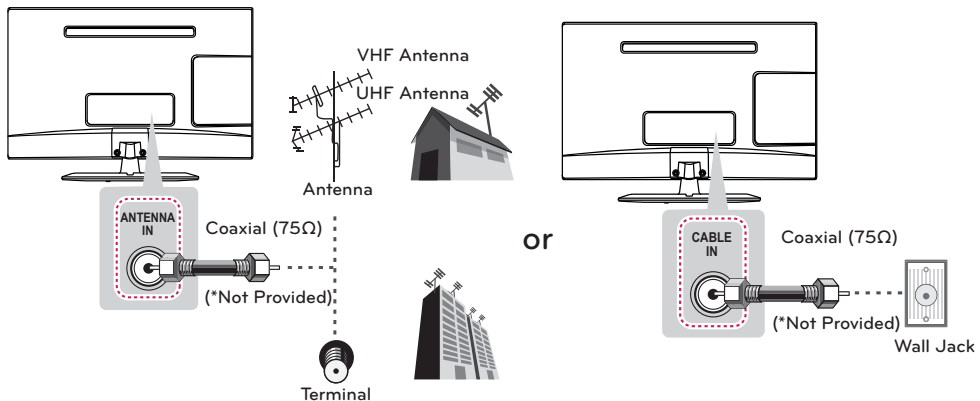
You can connect various external devices to the TV. Supported external devices are: HD receivers, DVD players, VCRs, audio systems, USB storage devices, PC, gaming devices, and other external devices. For more information on external device's connection, refer to the manual provided with each device.

NOTE

- If you record a TV program on a DVD recorder or VCR, make sure to connect the TV signal input cable to the TV through a DVD recorder or VCR. For more information about recording, refer to the manual provided with the connected device.
- The external device connections shown may differ slightly from illustrations in this manual.
- Connect external devices to the TV regardless about the order of the TV port.
- If you connect a gaming device to the TV, use the cable supplied with the gaming device.
- Refer to the external equipment's manual for operating instructions.

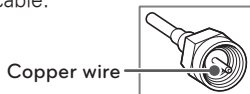
Connecting to an antenna or cable

Connect an antenna, cable, or cable box to watch TV while referring to the following. The illustrations may differ from the actual items and an RF cable is optional.



CAUTION

- Make sure not to bend the copper wire of the RF cable.



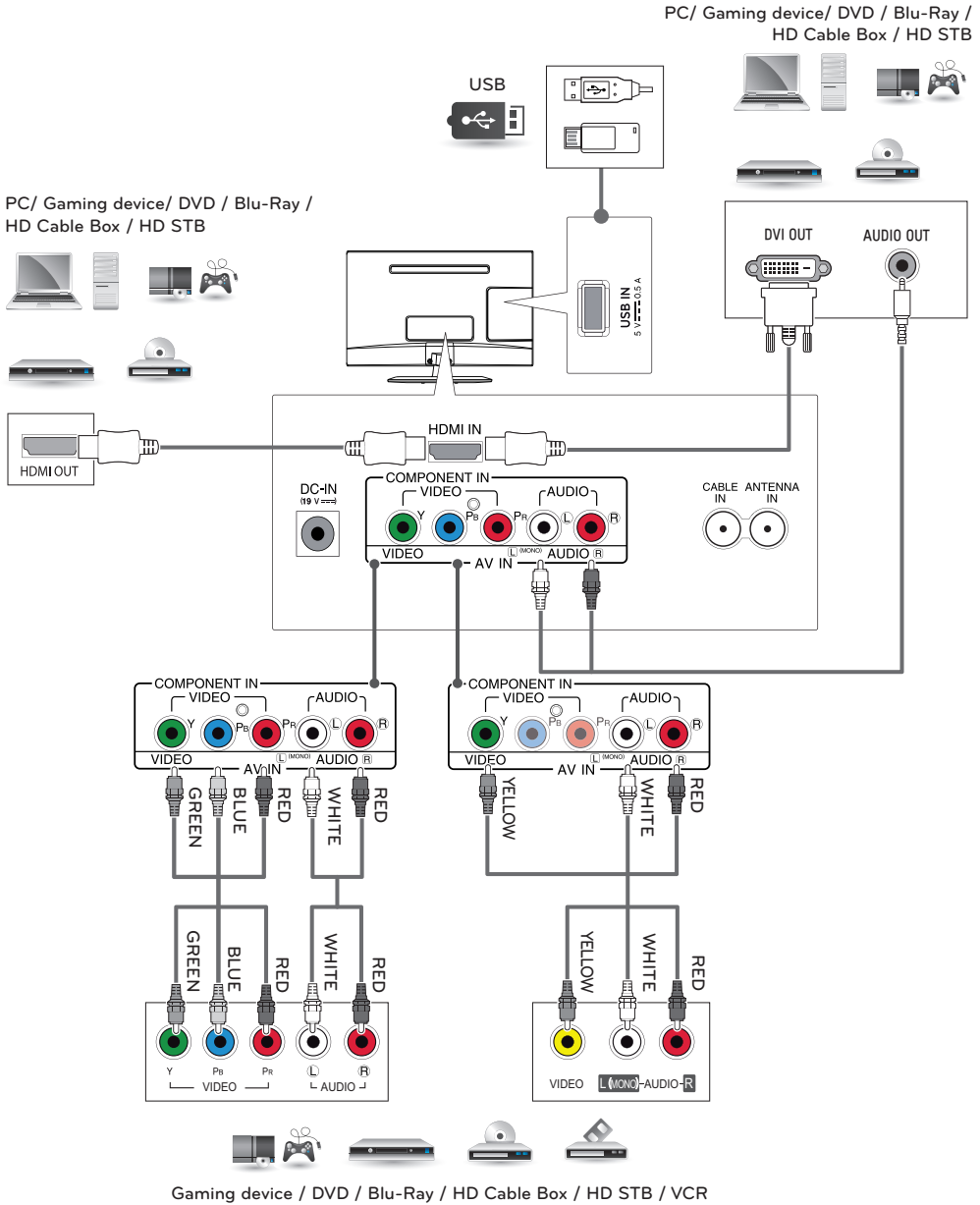
- Complete all connections between devices, and then connect the power cord to the power outlet to prevent damage to your TV.

NOTE

- Use a signal splitter to use more than 2 TVs.
- If the image quality is poor, install a signal amplifier properly to improve the image quality.
- If the image quality is poor with an antenna connected, aim the antenna to the proper direction.
- Visit <http://AntennaWeb.org> for more information about the antenna and cable connection.

Other connections

Connect your TV to external devices. For the best picture and audio quality, connect the external device and the TV with the HDMI cable as shown. Depending upon the model, a cable may be provided.



ENGLISH

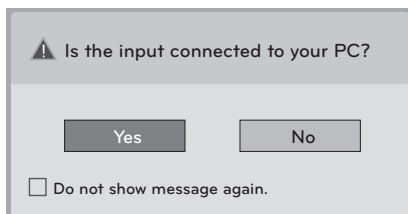
Connecting to a PC

Your TV supports the Plug & Play* feature and has the built-in speakers with Virtual Surround that reproduces sound clearly and rich bass.

* Plug & Play: The function when a PC recognizes a connected device and requires no driver to be installed.

! NOTE

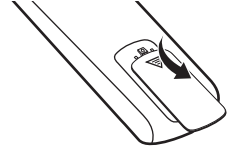
- It is recommended to use the TV with an HDMI connection for the best image quality.
- If you do not use an optional external speaker, connect the PC to the TV with the optional audio cable.
- If you turn the TV on when the set is cold, the screen may flicker. This is normal.
- Some red, green, or blue spots may appear on the screen. This is normal.
- Connect the signal input cable and tighten it by turning the screws clockwise.
- Do not press the screen with your finger for a long time as this may result in temporary distortion on the screen.
- Avoid displaying a fixed image on the screen for a long period of time to prevent image burn. Use a screensaver if possible.
- When using the HDMI/DVI cable, only Single link is supported.
- If you want to use HDMI-PC mode, you must set the input label to PC mode.
- The OSD (On Screen Display) is displayed on the screen as shown below.
 - » When turning the product on in HDMI input.
 - » When switching to HDMI input.



- If you select **Yes** the size and image quality are optimised for your PC.
- If you select **No** the size and image quality are optimised for the AV device (DVD player, set-top box, gaming device).
- If you select **Do not show message again** this message does not appear until the TV is reset. You can change the set value in **SETTINGS** → **INPUT** → **Input Label**.

REMOTE CONTROL

The descriptions in this manual are based on the buttons on the remote control. Please read this manual carefully and use the TV correctly. To install batteries, open the battery cover, replace batteries (1.5 V AAA) matching the ⊕ and ⊖ ends to the label inside the compartment, and close the battery cover. Failure to match the correct polarities of the battery may cause the battery to burst or leak, resulting in fire, personal injury, or ambient pollution. To remove the batteries, perform the installation actions in reverse.



CAUTION

- Do not mix old and new batteries, as this may damage the remote control.

This remote uses infrared light. When in use, it should be pointed in the direction of the TV's remote sensor. Image shown may differ from your TV.

	<p>⏻ (POWER) Turns the TV on or off.</p> <p>TV/PC Selects TV or PC mode.</p> <p>CAPTION Activates your preferred subtitle in digital mode.</p> <p>AV MODE Selects an AV mode.</p>
	<p>? (User Guide) Accesses the User Guide menu.</p> <p>↶ INPUT Changes the input source. Turns the TV on if it is off.</p> <p>Number button Enters numbers.</p> <p>- (Dash) Inserts a dash between numbers such as 2-1 and 2-2.</p>
	<p>LIST Accesses the saved channel list.</p> <p>Q.VIEW Alternates between the two last channels selected (pressing repeatedly).</p> <p>+ VOL - Adjusts the volume level.</p> <p>FAV Accesses your favorite channel list; Selects a menu or option.</p> <p>GUIDE Displays the program event according to the scheduled time.</p> <p>MUTE Mutes all sounds.</p> <p>^ CH v Scrolls through the saved channels.</p> <p>^ PAGE v Moves to the previous or next screen.</p>
	<p>PICTURE Changes the image mode.</p> <p>INFO Shows information on the current program.</p> <p>SOUND Changes the sound mode.</p> <p>SETTINGS Accesses the main menu.</p> <p>Q.MENU Accesses the quick menu.</p> <p>Navigation buttons Scrolls through menus or options. (up/down/left/right)</p> <p>OK Selects menus or options and confirms your input.</p> <p>↶ BACK Returns to the previous screen.</p> <p>EXIT Clears all on-screen displays and returns to TV viewing.</p>
	<p>SIMPLINK Accesses the AV devices connected to the TV; Opens the SIMPLINK menu.</p> <p>PIP Turns the PIP mode on or off.</p> <p>Control buttons Controls SIMPLINK compatible devices (USB, SIMPLINK).</p> <p>Color buttons These access special functions in some menus. (Red, Green, Yellow, Blue)</p> <p>Backlight Adjust the brightness of the screen by controlling the screen backlight.</p>

ENGLISH

USING THE USER GUIDE

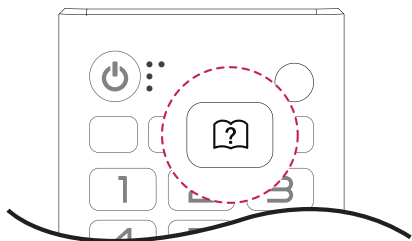
Accessing the On-Screen User Guide

Using the TV menu

- 1 Press **SETTINGS** button to access the main menus.
- 2 Press the **RED** button to access the **Customer Support** menus.
- 3 Press the navigation button to scroll to **User Guide** and press **OK**.
- 4 Press the navigation buttons to scroll to the option you want and press **OK**.
- 5 When you are finished, press **EXIT**. When you return to the previous menu, press **↩ BACK**.

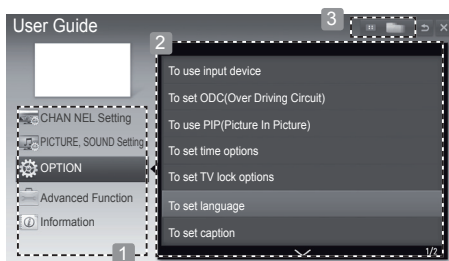
ENGLISH

Using the Remote Control

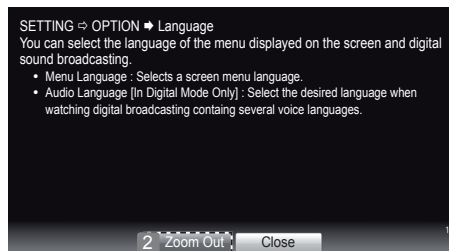
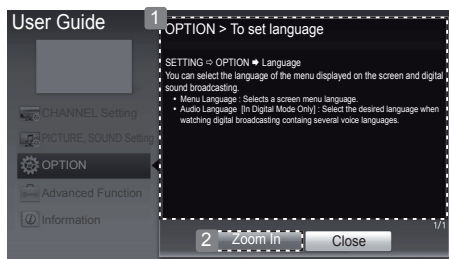


- 1 Press **[?]** (**User Guide**) to access the **User Guide**.
- 2 Press the navigation buttons to scroll to the option you want and press **OK**.
- 3 When you are finished, press **EXIT**. When you return to the previous menu, press **↩ BACK**.

- Image shown may differ from your TV.



1	Allows to select the category you want.
2	Allows to select the item you want. You can use \wedge / \vee to move between pages.
3	Allows to browse the description of the function you want from the index.



1	Shows the description of the selected menu. You can use \wedge / \vee to move between pages.
2	Zooms in or out the screen.

SPECIFICATIONS

Product specifications may be changed without prior notice due to upgrade of product functions.

Television System	NTSC, PAL-M/N, SBTVD	
Program Coverage	VHF 2-13, UHF 14-69, CATV 1-135	
External Antenna Impedance	75 Ω	
Environment condition	Operating Temperature	10 °C to 35 °C
	Operating Humidity	20 % to 80 %
	Storage Temperature	-10 °C to 60 °C
	Storage Humidity	5 % to 90 %

MODEL		28LN500B (28LN500B-PX)
Dimensions (W x H x D)	With stand	645.3 x 447.9 x 182.1 (mm)
	Without stand	645.3 x 401.6 x 78.7 (mm)
Weight	With stand	5.1 kg
	Without stand	4.7 kg
Power requirement		19 V $\overline{\text{---}}$, 2.0 A
AC/DC Adapter		Manufacturer: Lien Chang Model : LCAP25B Manufacturer: LG Innotek Model : PSAB-L204B
Adapter (DC Power)		In: AC 100 - 240 V ~ 50/60 Hz Out: DC 19 V $\overline{\text{---}}$, 2.1 A

HDMI (PC) supported mode

Resolution	Horizontal Frequency (kHz)	Vertical Frequency (Hz)
720 x 400	31.468	70.080
640 x 480	31.469 37.500	59.940 75.000
800 x 600	37.879 46.875	60.317 75.000
1024 x 768	48.363 60.023	60.004 75.029
1280 x 800	49.702	59.810
1366 x 768	47.717	59.79

! NOTE

- The optimal display resolution is 1366 x 768 @ 60 Hz.
- The optimal timing in each mode is vertical frequency 60 Hz.

HDMI (DTV) supported mode

Resolution	Horizontal Frequency (kHz)	Vertical Frequency (Hz)
720 x 480p	31.469 31.500	59.940 60.000
720 x 576p	31.250	50.000
1280 x 720p	44.960 45.000 37.500	59.940 60.000 50.000
1920 x 1080i	33.720 33.750 28.125	59.940 60.000 50.000
1920 x 1080p	27.000 33.750 67.430 67.500 56.250	24.000 30.000 59.940 60.000 50.000

Component port connecting information

Component ports on the TV	Y	P _B	P _R
Video output ports on DVD player	Y	P _B	P _R
	Y	B-Y	R-Y
	Y	Cb	Cr
	Y	Pb	Pr

Component supported mode

Resolution	Horizontal Frequency (kHz)	Vertical Frequency (Hz)
720 x 480i	15.730 15.750	59.940 60.000
720 x 480p	31.470 31.500	59.940 60.000
720 x 576p	31.250	50.000
1280 x 720p	44.960 45.000 37.500	59.940 60.000 50.000
1920 x 1080i	33.720 33.750 28.125	59.940 60.000 50.000
1920 x 1080p	56.250 67.432 67.500	50.000 59.940 60.000

MAINTENANCE

Cleaning your TV

Clean your TV regularly to keep it at peak performance and to extend the product lifespan.



CAUTION

- Before cleaning, turn the power off and disconnect the power cord and all other cables.
- When the TV is left unattended or unused for a long time, disconnect the power cord from the wall outlet to prevent possible damage from lightning or power surges.

Screen, frame, cabinet, and stand

To remove dust or light dirt, wipe the surface with a dry, clean, and soft cloth.

To remove major dirt, wipe the surface with a soft cloth dampened in clean water or a diluted mild detergent. Then wipe immediately with a dry cloth.



CAUTION

- Do not push, rub, or hit the surface with your fingernail or a sharp object, as this may result in scratches on the screen and image distortions.
- Do not use any chemicals, such as waxes, benzene, alcohol, thinners, insecticides, air fresheners, or lubricants, as these may damage the screen's finish and cause discoloration.
- Do not spray liquid onto the surface. If water enters the TV, it may result in fire, electric shock, or malfunction.
- Do not use any chemicals as this may deteriorate the surface.

ENGLISH

Power cord

Remove the accumulated dust or dirt on the power cord regularly.

TROUBLESHOOTING

Problem	Solution
Cannot control the TV with the remote control.	<ul style="list-style-type: none"> • Check the remote control sensor on the product and try again. • Check if there is any obstacle between the product and the remote control. • Check if the batteries are still working and properly installed (⊕ to ⊕, ⊖ to ⊖).
No image display and no sound is produced.	<ul style="list-style-type: none"> • Check if the product is turned on. • Check if the power cord is connected to a wall outlet. • Check if there is a problem in the wall outlet by connecting other products.
The TV turns off suddenly.	<ul style="list-style-type: none"> • Check the power control settings. The power supply may be interrupted. • Check if the Off Time / Sleep Timer feature is activated in the TIME settings. • If there is no signal while the TV is on, the TV will turn off automatically after 15 minutes of inactivity.



The model and serial numbers of the TV are located on the back and one side of the TV. Record them below should you ever need service.

MODEL _____

SERIAL _____



MANUAL DEL USUARIO TELEVISOR LED*

* Los televisores con LED de LG tienen pantallas LCD con luces de fondo LED.

Lea atentamente este manual antes de poner en marcha el equipo y consérvelo para futuras consultas.

28LN500B

INSTRUCCIONES DE SEGURIDAD IMPORTANTES


Siga siempre estas instrucciones para evitar situaciones peligrosas y garantizar el rendimiento máximo del producto.




ADVERTENCIA / PRECAUCION
RIESGO DE CHOQUE ELECTRICO
NO ABRIR



PARA REDUCIR EL RIESGO DE DESCARGAS ELÉCTRICAS, NO quite la cubierta (o la parte posterior). EL USUARIO NO PUEDE CAMBIAR NI REPARAR LOS COMPONENTES INTERNOS. CONSULTE ÚNICAMENTE AL PERSONAL DE SERVICIO CALIFICADO.

 El símbolo de relámpago con una punta de flecha, dentro de un triángulo equilátero, tiene como fin alertar al usuario sobre la presencia en el producto de "voltaje peligroso" sin aislar que puede tener la potencia suficiente como para representar un riesgo de descargas eléctricas para los usuarios.

 El signo de exclamación dentro de un triángulo equilátero tiene como fin alertar al usuario sobre la presencia de instrucciones importantes de funcionamiento y mantenimiento (servicio) en el folleto que acompaña al equipo.

ADVERTENCIA/PRECAUCIÓN

- PARA REDUCIR EL RIESGO DE INCENDIOS O DESCARGAS ELÉCTRICAS, NO EXPONGA ESTE PRODUCTO A LA LLUVIA O LA HUMEDAD.

ADVERTENCIA

Si ignora el mensaje de advertencia, puede sufrir lesiones graves, accidentes o la muerte.

PRECAUCIÓN

Si ignora el mensaje de precaución, puede sufrir heridas leves o provocar daños en el producto.

NOTA

La nota le ayuda a comprender y a utilizar el producto de forma segura. Lea la nota cuidadosamente antes de utilizar el producto.

Lea estas instrucciones.
Conserve estas instrucciones.
Preste atención a las advertencias.
Siga todas las instrucciones.



- No use el aparato cerca del agua.



- Limpie únicamente con un paño seco.



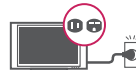
- No tape ni bloquee las aberturas de ventilación. Realice la instalación siguiendo las instrucciones del fabricante.



- No instale el producto cerca de fuentes de calor como radiadores, rejillas de calefacción central, estufas u otro tipo de aparatos que emitan calor (incluidos los amplificadores).



- No anule el propósito de seguridad del enchufe polarizado o del enchufe a tierra. Un enchufe polarizado tiene dos clavijas, una más ancha que la otra. Un enchufe a tierra tiene dos clavijas y un tercer terminal de puesta a tierra. La clavija ancha o el terminal de puesta a tierra se proveen para proteger al usuario. Si el enchufe del equipo no entra en la toma, consulte a un electricista para cambiar el tomacorriente (puede variar según el país).



- No ejerza demasiada presión sobre el panel con la mano ni con objetos punzantes, como un clavo, una lapicera o un lápiz, ni raye la superficie.



- Asegúrese de que el cable de alimentación esté protegido para evitar que lo pisen o aplasten, especialmente en los enchufes, los tomacorrientes o el punto de salida desde el aparato.



- Use únicamente los accesorios recomendados por el fabricante.



- Use el producto únicamente en mesas portátiles, ples, trípodes, soportes o mesas indicados por el fabricante o provistos con el aparato. Al emplear una mesa portátil, tenga cuidado al moverla con el aparato encima, para evitar daños por caídas.



- Desenchufe el aparato durante tormentas eléctricas o si no planea usarlo durante un periodo prolongado.



- Consulte todas las cuestiones de servicio de mantenimiento al personal de servicio calificado. El servicio es necesario cuando el aparato sufre algún tipo de daño, por ejemplo, cuando un cable de suministro eléctrico o un conector está dañado, se derrama líquido o se cae un objeto dentro del aparato, el aparato se expone a la lluvia o a la humedad, no funciona en forma normal o sufre una caída.



- No inserte objetos de metal u otro material conductor en el cable de alimentación. No toque el extremo del cable de alimentación mientras esté enchufado.
- Mantenga el material de embalaje contra la humedad y el embalaje de vinilo fuera del alcance de los niños. El material contra la humedad es dañino si se ingiere. Si se ingiere por accidente, obligue a la persona a vomitarlo y acuda al hospital más cercano. Además, el embalaje de vinilo puede provocar asfixia. Manténgalo fuera del alcance de los niños.

- **PRECAUCIÓN** con respecto al cable de alimentación (puede variar según el país): Se recomienda colocar los aparatos en un circuito específico, es decir, un tomacorriente único que alimente solamente al aparato, y que no tenga otros tomacorrientes ni circuitos derivados. Consulte la página de especificaciones en el manual del usuario. No conecte demasiados aparatos a la misma toma de corriente de CA, dado que podría provocar incendios o descargas eléctricas. No sobrecargue los tomacorrientes de la pared. Asegúrese de que los tomacorrientes de la pared no estén sobrecargados, sueltos ni dañados, y que los alargues, los cables de alimentación y el aislamiento de los cables no estén desgastados, ya que estas condiciones son peligrosas. Cualquiera de estos casos podría provocar incendios o descargas eléctricas. Examine regularmente el cable del aparato; si le parece que está dañado o deteriorado, desenchúfelo y no use más ese cable. Llame al personal de servicio técnico autorizado para que lo reemplace por uno exactamente igual. Proteja el cable de alimentación de daños físicos o mecánicos, es decir, que no se tuerza, doble, deforme, que no quede atrapado al cerrar una puerta y que no lo pisen. Preste especial atención a los enchufes, tomacorrientes de la pared y al punto de salida del cable en el aparato. No mueva el televisor con el cable de alimentación enchufado. No use un cable de alimentación que esté suelto o dañado. Al desenchufar el cable, asegúrese de hacerlo desde el enchufe. No tire del cable para desenchufar el televisor.



- **Advertencia** - para disminuir los riesgos de incendio o descargas eléctricas, no exponga el producto a la lluvia, la humedad u otro tipo de líquidos. No toque el televisor con las manos mojadas. No instale el producto cerca de objetos inflamables como combustible o velas, ni lo exponga al aire acondicionado directo.

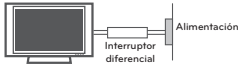


- No exponga el producto a ningún tipo de goteo ni salpicaduras, y no coloque sobre o por encima del televisor (por ejemplo, en estantes que pudieran encontrarse arriba de la unidad) ningún tipo de objeto que contenga líquido, como floreros, tazas, etc.



• **Puesta a tierra**

(Excepto dispositivos sin conexión a tierra.) Asegúrese de que el cable de puesta a tierra esté conectado para evitar descargas eléctricas (es decir, un televisor con un enchufe de CA de tres clavijas debe conectarse a un tomacorriente de CA con puesta a tierra de tres clavijas). Si no puede colocarse ninguna puesta a tierra, solicite a un electricista calificado que instale un disyuntor. No intente improvisar una puesta a tierra con conexiones a cables de teléfono, pararrayos o caños de gas.



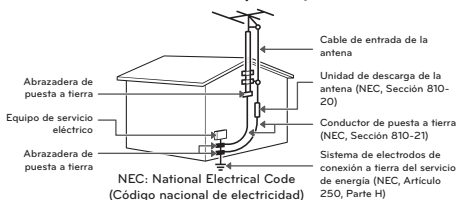
• Mientras la unidad esté conectada al tomacorriente de CA de la pared, no se desconectará de la fuente de alimentación de CA, aún cuando el aparato esté apagado.

• No intente modificar este producto de ninguna manera sin autorización previa por escrito de LG Electronics. Cualquier tipo de modificación sin autorización previa podría anular la autoridad del usuario para usar el producto.

• **Puesta a tierra con una antena exterior** (puede variar según el país):

Si instala una antena exterior, tome las siguientes precauciones. No se debe instalar el sistema de antena exterior cerca de las líneas aéreas de transmisión de energía, de ningún circuito o luz eléctrica, ni en ningún lugar donde pudiera entrar en contacto con este tipo de cables eléctricos o circuitos, dado que podría provocar daños graves o incluso la muerte. Asegúrese de que el sistema de antena tenga una puesta a tierra para proteger contra sobretensiones y acumulaciones de cargas estáticas. La Sección 810 del Código nacional de electricidad (NEC) de los Estados Unidos establece la forma de realizar una puesta a tierra correcta del mástil, de la estructura de soporte, del cable de bajada a una unidad de descarga de la antena, el tamaño de los conductores de puesta a tierra, la ubicación de la unidad de descarga de la antena, y la conexión y los requisitos de los electrodos de puesta a tierra.

Puesta a tierra de la antena según el Código nacional de electricidad, ANSI/NFPA 70



• **Limpieza**

Al efectuar la limpieza, desenchufe el cable de alimentación y limpie suavemente con un paño suave para no rayar la superficie. No rocíe con agua ni otros líquidos directamente sobre el televisor, dado que podría provocar una descarga eléctrica. No limpie con productos químicos como alcohol, diluyentes o bencina.

• **Traslados**

Asegúrese de que el aparato esté apagado, desenchufado y que no quede ningún cable conectado. Es posible que se necesiten dos personas para trasladar los televisores de gran tamaño. No ejerza presión ni empuje el panel frontal del televisor.

• **Ventilación**

Instale el televisor en un lugar bien ventilado. No lo coloque en un lugar cerrado como, por ejemplo, un estante para libros. No cubra el producto con telas ni ningún otro material mientras esté enchufado. No lo instale en lugares con demasiado polvo.

• Si huele humo u otros olores que provienen de la TV, desconecte el cable de alimentación y comuníquese con un centro de servicio autorizado.

• Mantenga el aparato alejado de la luz solar directa.

• Nunca toque el aparato o la antena durante una tormenta eléctrica o con truenos.

• Al montar el televisor en la pared, asegúrese de que los cables de alimentación y de señal no queden colgando en la parte posterior.

• No permita que se golpee el producto o que algún objeto se caiga dentro de él, ni que se golpee la pantalla.

• **Cómo desconectar la fuente de alimentación principal**

El tomacorriente utilizado con este dispositivo debe ser de fácil acceso.

• Guarde los accesorios (baterías, etc.) en un lugar seguro lejos del alcance de los niños.

• Este aparato usa baterías. Puede ser que en su comunidad existan normativas que requieren que deseches estas baterías de forma correcta debido a las consideraciones ambientales. Póngase en contacto con la autoridad local para obtener información acerca del desecho o reciclaje.

• No deseches las baterías en el fuego.

• No provoque cortes de circuitos, desarme ni permita que las baterías se sobrecalienten.

- **Aparición de puntos**

El panel de plasma o LCD es un producto de alta tecnología con una resolución de entre dos y seis millones de píxeles. En raras ocasiones, es posible que note la presencia de pequeños puntos en la pantalla mientras mira televisión. Estos puntos son píxeles desactivados y no afectan el rendimiento ni la fiabilidad del televisor.

- **Reproducción de ruidos**

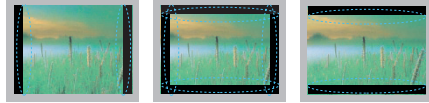
"Crujidos": es posible que se produzcan crujidos cuando esté mirando televisión o al apagar el televisor; se trata de un ruido generado por la contracción térmica del plástico debido a la temperatura y la humedad. Este ruido es común en productos donde se requiere la deformación térmica. Zumbidos en el circuito eléctrico o el panel: se trata de un ruido de bajo nivel, generado por un circuito de conmutación de alta velocidad, que suministra una gran cantidad de corriente para que un producto pueda funcionar. Varía según cada producto. Este ruido no afecta el rendimiento ni la fiabilidad del producto.

- Tenga cuidado de no tocar las aberturas de ventilación. Al mirar televisión durante largos periodos, las aberturas de ventilación pueden calentarse. Esto no afecta el rendimiento ni causa defectos en el producto.
- No instale este producto en una pared si podría ser expuesto a aceite o vapor de aceite. Esto podría dañar el producto y hacer que se caiga.
- Si siente que el televisor está frío al tocarlo, es posible que ocurra un pequeño parpadeo cuando lo prenda. Se trata de algo normal y no significa que el televisor esté dañado. También es posible que aparezcan pequeños puntos en la pantalla, de color rojo, verde o azul. Sin embargo, no afectan el rendimiento del televisor. No toque la pantalla LCD ni coloque los dedos sobre ella durante mucho tiempo. Esto podría producir algunos efectos de distorsión temporales en la pantalla.

Cómo evitar el efecto de "degradación

de la imagen por sobreexposición" o

"quemadura de pantalla" del televisor



- Si se muestra una imagen fija en la pantalla del televisor durante un período largo, esta quedará impresa y se convertirá en una distorsión permanente de la pantalla. A este desperfecto se lo conoce como "degradación de la imagen por sobreexposición" o "quemadura de pantalla" y no está cubierto por la garantía.
- Si la relación de aspecto del televisor se establece durante mucho tiempo en 4:3, se puede producir una degradación de imagen en las zonas de bandas del formato buzón.
- Evite emitir imágenes fijas en la pantalla del televisor durante períodos prolongados (2 horas o más para LCD, 1 hora o más para TV de plasma) para evitar la degradación de imagen.

LICENCIAS

Las licencias admitidas pueden variar según el modelo. Para obtener más información sobre las licencias, visite www.lg.com.



Fabricado con la licencia de Dolby Laboratories. "Dolby" y el símbolo de las dos D son marcas comerciales de Dolby Laboratories.



The terms HDMI and HDMI High-Definition Multimedia Interface, and the HDMI logo are trademarks or registered trademarks of HDMI Licensing LLC in the United States and other countries.



ACERCA DE VIDEO DIVX: DivX® es un formato de video digital creado por DivX, LLC, una subsidiaria de Rovi Corporation. Este es un dispositivo oficial con certificación DivX Certified® que reproduce videos DivX. Visite divx.com si desea obtener más información y herramientas de software para convertir los archivos en videos DivX.

ACERCA DE LA FUNCIÓN DE VIDEO A PEDIDO DIVX: Este dispositivo con certificación DivX Certified® debe registrarse para reproducir películas de video a pedido DivX que se hayan adquirido. Para obtener su código de registro, busque la sección DivX VOD en el menú de configuración del dispositivo. Vaya a vod.divx.com para obtener más información sobre cómo realizar el registro.

"DivX Certified® para reproducir videos DivX® hasta HD 1080p, incluido el contenido premium".

"DivX®, DivX Certified® y los logotipos asociados son marcas comerciales de Rovi Corporation o sus subsidiarias y se utilizan bajo licencia".

"Cubierto por una o más de las siguientes patentes de los Estados Unidos: 7,295,673; 7,460,668; 7,515,710; 7,519,274".

AVISO SOBRE SOFTWARE DE CÓDIGO ABIERTO

Para obtener el código fuente de GPL, LGPL, MPL y otras licencias de fuente abierta, que se incluyen en este producto, visite <http://opensource.lge.com>.

Además del código fuente, se pueden descargar todos los términos de licencia, las exenciones de garantías y los derechos de autor mencionados.

Además, LG Electronics le proporcionará el código fuente abierto en CD-ROM por un valor que cubre el coste de realizar dicha distribución (como el coste de los medios, el envío y la manipulación) previa solicitud vía correo electrónico a 'opensource@lge.com'. Esta oferta es válida por tres (3) años a partir de la fecha en que compre el producto.

! NOTA

- Es posible que la imagen que se muestra no sea exactamente igual a su televisor.
- La visualización en pantalla (OSD, On Screen Display) de su televisor puede ser ligeramente diferente a la que se muestra en este manual.
- Los menús y las opciones disponibles pueden variar según la fuente de entrada o el modelo de producto que utilice.
- Es posible que se agreguen nuevas funciones a este televisor en el futuro.

MONTAJE Y PREPARACIÓN

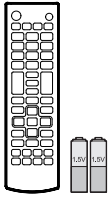
Desembalaje

Revise que la caja del producto contenga los siguientes elementos. Si falta algún accesorio, comuníquese con el distribuidor local mediante el cual adquirió el producto. Las ilustraciones de este manual pueden diferir del producto que realmente adquirió.



PRECAUCIÓN

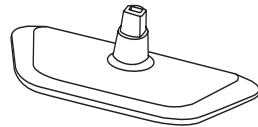
- Para garantizar la seguridad y la vida útil del producto, utilice únicamente elementos originales.
- La garantía no cubre daños o lesiones que pueden producirse al utilizar elementos no aprobados.
- En algunos modelos, la película delgada sobre la pantalla forma parte del televisor. Por ese motivo, no debe quitarla.



Control remoto y baterías (AAA)



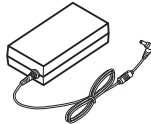
Manual del usuario



Base de Soporte



Cable de alimentación

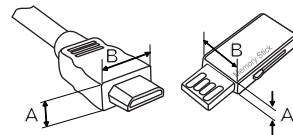


Adaptador de CA-CC



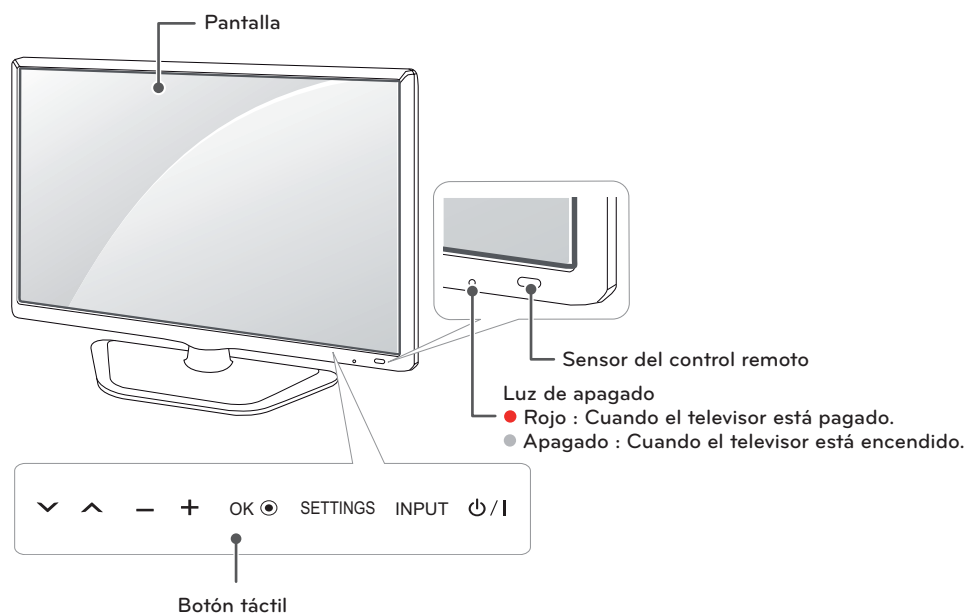
NOTA

- Los artículos suministrados con el producto adquirido pueden variar según el modelo.
- Es posible que cambien las especificaciones del producto o el contenido del manual sin previo aviso debido a las actualizaciones de las funciones del producto.
- Para que la conexión sea óptima, los cables HDMI y los dispositivos USB tienen que tener biselados que no superen los 10 mm de espesor y 18 mm de ancho.
- Utilice un cable de extensión que sea compatible con USB 2.0, en caso de que el cable USB o la tarjeta de memoria USB no encajen en el puerto USB del TV.



*A ≤ 10 mm
*B ≤ 18 mm

Componentes y botones



ESPAÑOL

Botón táctil	Descripción
▼ ▲	Permite desplazarse por los canales guardados.
- +	Ajusta el nivel del volumen.
OK ●	Selecciona la opción de menú resaltada o confirma una entrada.
SETTINGS	Permite acceder a los menús principales o guardar las entradas y salir de los menús.
INPUT	Cambia la fuente de entrada.
⏻ / I	Enciende o apaga el aparato.

! NOTA

- Todos los botones son sensibles al tacto y se pueden operar simplemente al tocarlos con el dedo.

Levantar y trasladar el televisor

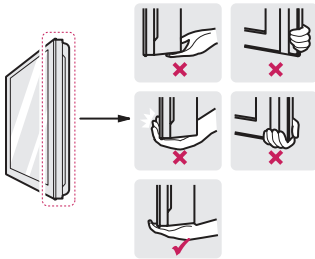
Si desea levantar o trasladar el televisor, lea las instrucciones a continuación para no rayar o dañar el aparato, y para transportarlo de forma segura, independientemente del tamaño o tipo de aparato.

⚠ PRECAUCIÓN

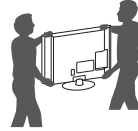
- No toque la pantalla. De lo contrario, podría dañarla.
- No coloque el producto en el piso con la parte frontal hacia abajo. Al hacerlo puede causar daños a la pantalla.
- Se recomienda trasladar el televisor en la caja o el material de embalaje en el que lo recibió al comprarlo.
- Antes de mover o levantar el televisor, desconecte el cable de alimentación y el resto de los cables.
- Cuando sostenga el televisor, la pantalla debe mirar hacia afuera para evitar daños.



- Sostenga con firmeza la parte superior e inferior del marco del televisor. Asegúrese de no sostenerlo por la parte transparente, por la bocina o por el área de rejillas de las bocinas.



- Si desea transportar un televisor grande, necesita la ayuda de dos personas como mínimo.
- Al transportar el televisor con las manos, sosténgalo como se muestra en esta ilustración.



- Al transportar el televisor, no lo sacuda ni lo someta a vibraciones excesivas.
- Al transportar el televisor manténgalo en posición vertical, nunca lo apoye sobre uno de los costados, ni lo incline hacia la derecha o la izquierda.

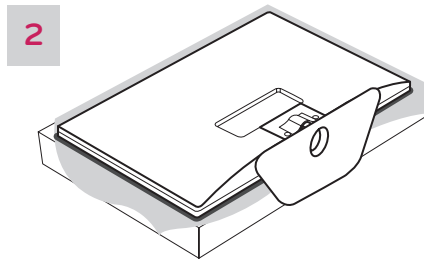
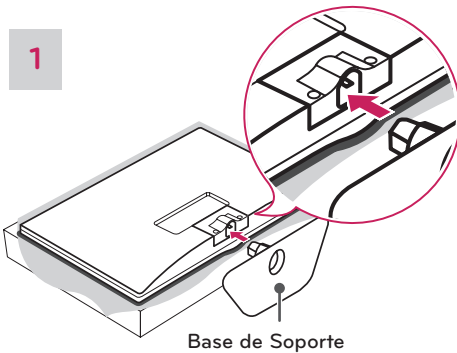
Configurar el televisor

La imagen visualizada puede diferir de su TV.

Colocar la base del soporte

⚠ PRECAUCIÓN

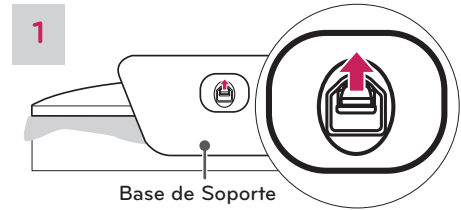
- Al instalar la base del televisor, ponga la pantalla hacia abajo sobre una mesa acolchada o una superficie plana para evitar rayas.



Desinstalación del soporte

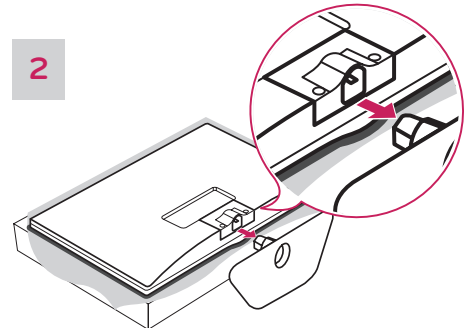
⚠ PRECAUCIÓN

- Al desinstalar la base del televisor, ponga la pantalla hacia abajo sobre una mesa acolchada o una superficie plana para evitar rayas.



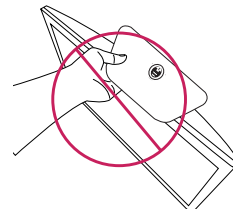
⚠ NOTA

- Levante el seguro de la parte inferior de la base del soporte y sepárelo del televisor.



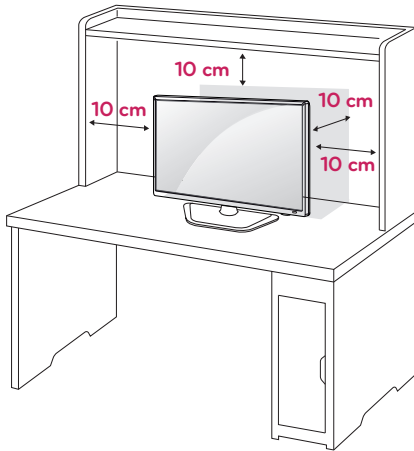
⚠ PRECAUCIÓN

- No transporte del televisor boca abajo porque podría soltarse de su base del soporte y causar daños y lesiones.
- La ilustración muestra un ejemplo general de instalación y puede lucir diferente del producto real.

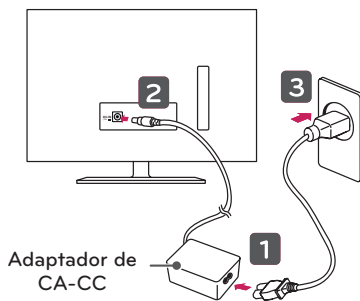


Montar sobre una mesa

- 1 Levante el televisor y déjelo en posición vertical sobre la mesa.
 - Deje un espacio mínimo de 10 cm entre el televisor y la pared para garantizar una ventilación adecuada.



- 2 Conecte el **Adaptador de CA-CC** y el **Cable de alimentación** a un tomacorriente.



⚠ PRECAUCIÓN

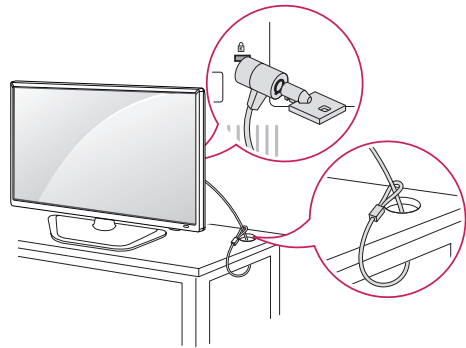
- No coloque el TV cerca de fuentes de calor, ya que puede provocar incendios u otros daños.
- Antes de conectar el enchufe de alimentación de la TV a la toma de pared, compruebe que ha conectado la TV al adaptador de alimentación de CA-CC.

Uso del sistema de seguridad Kensington (opcional)

(Según el modelo)

El conector del sistema de seguridad Kensington se encuentra en la parte posterior del televisor. Para obtener más información sobre cómo instalarlo y utilizarlo, consulte el manual suministrado con el sistema de seguridad Kensington o visite el sitio <http://www.kensington.com>.

Conecte el cable del sistema de seguridad Kensington entre el televisor y una mesa.

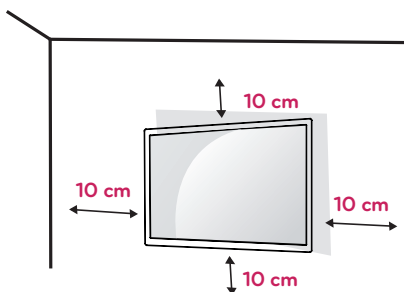


! NOTA

- El sistema de seguridad Kensington es opcional. Puede adquirir accesorios adicionales en la mayoría de las tiendas de electrónica.

Montar en la pared

Para una ventilación adecuada, deje un espacio de 10 cm a cada lado del TV y de la pared. Puede obtener instrucciones de instalación detalladas de su distribuidor; consulte la Guía configuración e instalación del soporte de montaje en paredes con inclinación.

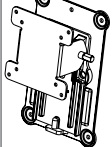


Si desea montar el TV en una pared, ponga la interfaz de soporte de pared (componentes opcionales) en la parte posterior del TV.

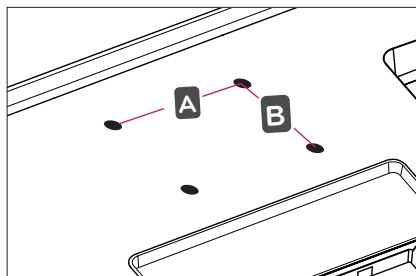
Al instalar el TV con la interfaz de soporte de pared (componentes opcionales), póngala con cuidado para que no se caiga el TV.

- 1 Utilice una interfaz de soporte de pared conforme a los estándares de VESA.
- 2 Si usa tornillos más largos que el estándar, el TV puede sufrir daños internos.
- 3 Si usa tornillos incorrectos, el producto se puede dañar y caer desde la ubicación en que está montado. En este caso, LG Electronics no es responsable por los daños.
- 4 Compatible con VESA sólo respecto de las dimensiones de los tornillos de la interfaz de soporte y de las especificaciones de los tornillos de montaje.
 - 784,8 mm y menores
 - * Grosor del tablero de montaje en pared: 2,6 mm
 - * Tornillo : Φ 4.0 mm x 0,7 mm de paso x 10 mm de largo
 - 787,4 mm y superiores
- 5 Use el estándar VESA como se indica a continuación.

- Use el tablero de montaje en pared y los tornillos con estándar VESA.

Modelo	28LN500B
VESA (A x B)	100 x 100
Tornillo estándar	M4
Cantidad de tornillos	4
Soporte de pared (opcional)	RW120 

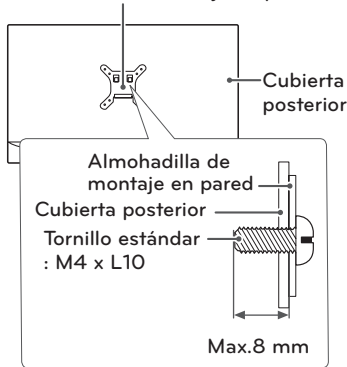
- VESA (A x B)



⚠ PRECAUCIÓN

- Primero, desconecte el cable de alimentación y luego mueva o instale el TV. De lo contrario, se pueden producir descargas eléctricas.
- Si instala el TV en el cielo raso o en una pared inclinada, podría caerse y provocar lesiones graves.
- Utilice un soporte de pared autorizado por LG y comuníquese con el distribuidor local o con personal técnico calificado.
- No ajuste excesivamente los tornillos, dado que podría dañar el TV y anular la garantía.
- Use tornillos y un soporte de pared que cumplan con estándar VESA. La garantía no cubre daños ni lesiones provocados por el uso incorrecto del aparato o de accesorios no autorizados.
- La longitud del tornillo desde la superficie exterior de la cubierta posterior debe ser inferior a 8 mm.

Almohadilla de montaje en pared



⚠ NOTA

- Utilice los tornillos indicados en las especificaciones del estándar VESA.
- El conjunto del soporte de pared incluye un manual de instalación y las piezas necesarias.
- El soporte de pared es opcional. Puede adquirir accesorios adicionales con el distribuidor local.
- La longitud de los tornillos puede variar según el tipo de soporte de pared. Asegúrese de utilizar el largo adecuado.
- Para obtener más información, consulte las instrucciones suministradas con el soporte de pared.

ESTABLECER CONEXIONES

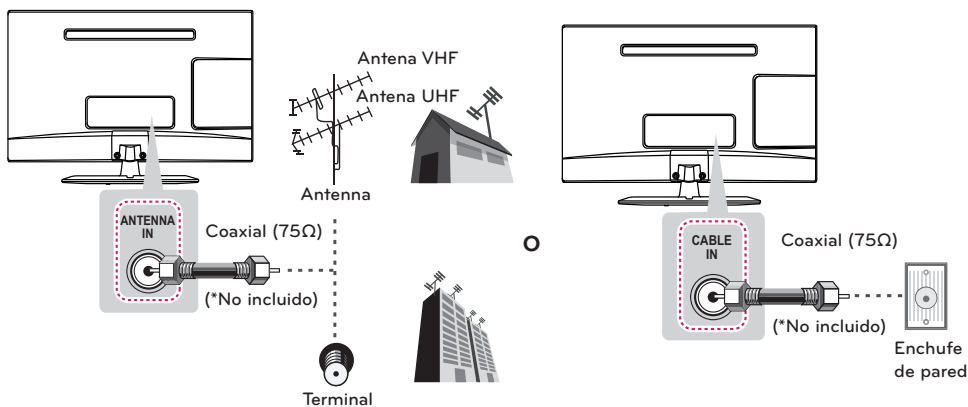
Se pueden conectar distintos dispositivos externos al TV. Los dispositivos externos compatibles son: receptores de HD, reproductores de DVD, VCR, sistemas de audio, dispositivos de almacenamiento USB, PC, dispositivos de juegos, etc. Para más información acerca de la conexión de dispositivos externos, diríjase al manual que viene con cada dispositivo.

! NOTA

- Si graba un programa de televisión en una grabadora de DVD o VCR, asegúrese de conectar el cable de entrada de señal al televisor a través de uno de estos dos dispositivos. Para obtener más información acerca de la grabación, consulte el manual proporcionado con el dispositivo conectado.
- Las conexiones de dispositivos externos que se muestran pueden ser levemente diferentes de las ilustraciones en este manual.
- Conecte los dispositivos externos al televisor, independientemente del orden del puerto del televisor.
- Si conecta un dispositivo de juegos al televisor, utilice el cable provisto con dicho dispositivo.
- Consulte el manual del equipo externo para conocer las instrucciones de funcionamiento.

Conexión de una antena o un cable

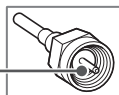
Para mirar televisión, conecte una antena, un cable o una caja de cable y siga estas instrucciones. Las ilustraciones pueden diferir de los elementos reales y el cable de RF es opcional.



! PRECAUCIÓN

- Asegúrese de no doblar el alambre de cobre del cable de RF.

Alambre de cobre



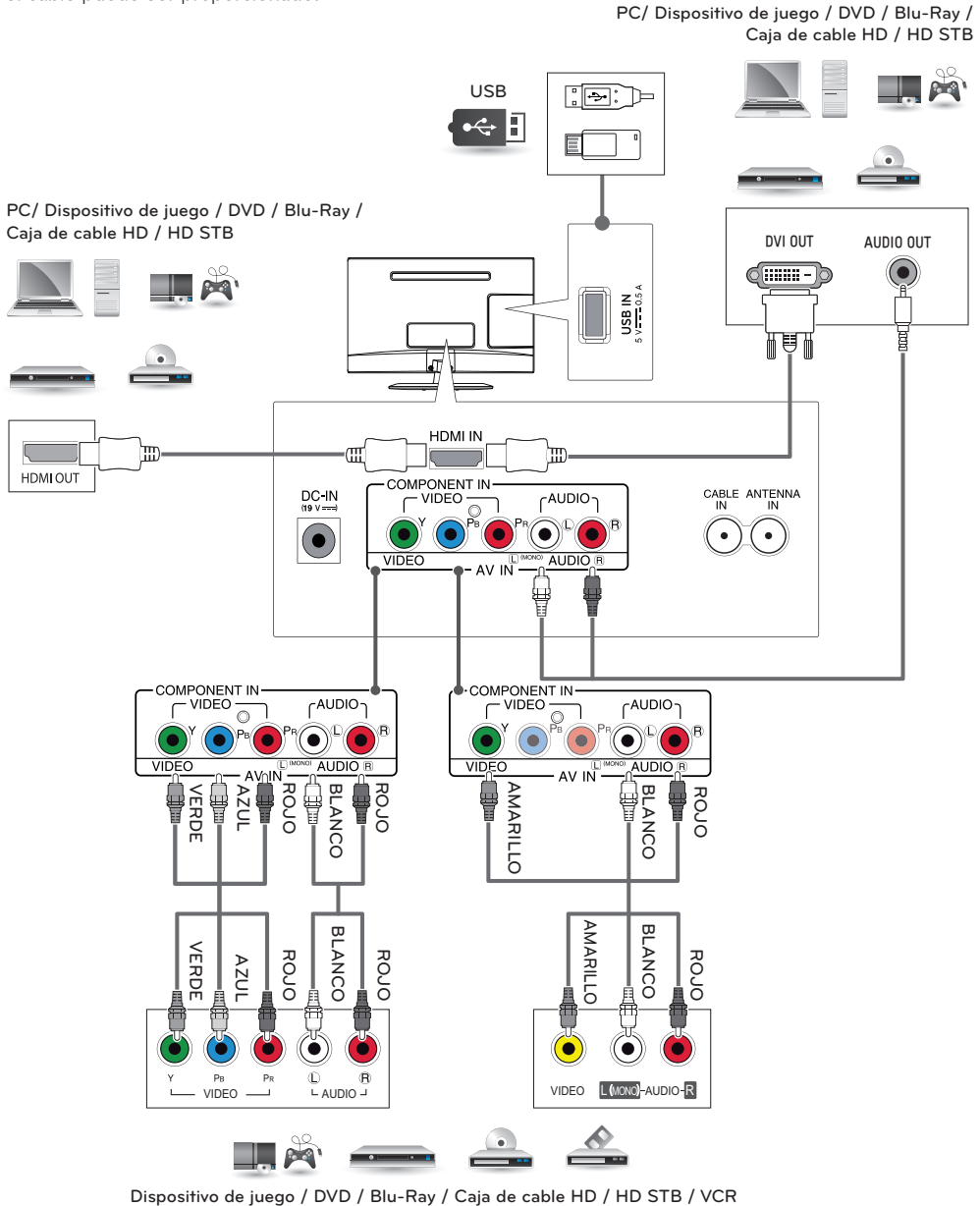
- Primero conecte todos los dispositivos entre sí y luego conecte el cable de alimentación al tomacorriente, para que el televisor no resulte dañado.

! NOTA

- Utilice un divisor de señal para más de 2 TV.
- Si la calidad de la imagen es mala, instale un amplificador de señal para mejorarla.
- Si la calidad de la imagen es mala con la antena conectada, dirija la antena a la dirección correcta.
- Visite <http://AntennaWeb.org> para obtener más información sobre la conexión de la antena y del cable.

Otras conexiones

Conecte su TV a dispositivos externos. Para tener una mejor calidad de imagen y audio, conecte el dispositivo externo y el televisor con el cable HDMI tal como se muestra. Dependiendo del modelo, el cable puede ser proporcionado.



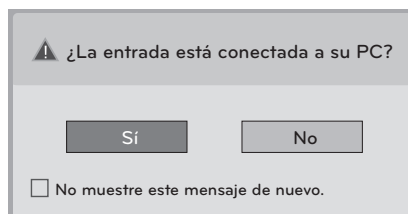
Conexión de una PC

El TV admite la función Plug & Play* y tiene parlantes incorporados Virtual Surround que reproducen el sonido con nitidez y graves enriquecidos.

* Plug & Play: Función en la que una PC reconoce un dispositivo que el usuario conecta y enciende, sin necesidad de realizar ningún tipo de configuración ni solicitar intervención del usuario.

! NOTA

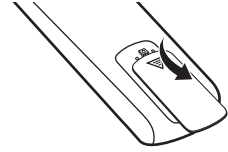
- Se recomienda utilizar el TV con la conexión HDMI para obtener una óptima calidad de imagen.
- Si no usa parlantes externos opcionales, conecte la PC con el TV mediante el cable opcional de audio.
- Si enciende el TV cuando este se enfría, la pantalla puede parpadear. Esto es normal.
- Puede que aparezcan algunos puntos rojos, verdes o azules en la pantalla. Esto es normal.
- Conecte el cable de entrada de señal y ajústelo girando los tornillos en el sentido de las agujas del reloj.
- No presione la pantalla con lo dedos por mucho tiempo, ya que puede generar una distorsión temporal de la pantalla.
- Evite mostrar una imagen fija en la pantalla por un período prolongado a fin de prevenir la degradación de la imagen por sobreexubicación. Use un protector de pantalla si es posible.
- Al utilizar un cable HDMI/DVI, sólo es compatible con un enlace único de DVI.
- Si desea utilizar el modo HDMI-PC, debe ajustar la etiqueta de entrada en el modo PC.
- El OSD (visualización en pantalla) aparece en la pantalla como se muestra a continuación.
 - » Al encender el producto en la entrada HDMI.
 - » Al cambiar a la entrada HDMI.



- Si selecciona “**Sí**” el tamaño y calidad de la imagen se optimizan para la PC.
- Si selecciona “**No**” el tamaño y calidad de la imagen se optimizan para el dispositivo de AV (reproductor de DVD, decodificador, dispositivo de juegos).
- Si selecciona “**No muestre este mensaje de nuevo**” este mensaje no aparecerá hasta que se restablezca el televisor. Puede cambiar el valor ajustado en **SETTINGS** → **INPUT** → **Etiqueta de entrada**.

CONTROL REMOTO

Las descripciones que figuran en este manual se basan en los botones del control remoto. Lea atentamente este manual y siga las instrucciones de uso. Para reemplazar las baterías, abra la cubierta de la batería, coloque otras (AAA de 1,5 Vcc) y haga coincidir la polaridad (+) y (-) en el compartimiento, luego cierre la tapa. Asegúrese de apuntar con control remoto al sensor de control remoto en el televisor.



⚠ PRECAUCIÓN

- No coloque baterías nuevas junto con las usadas, esto puede dañar el control remoto.

Este control remoto utiliza luz infrarroja. Al usarlo, es necesario apuntarlo en dirección al sensor remoto del TV. La imagen visualizada puede diferir de su TV.

	<p>⏻ (ENCENDIDO) Enciende o apaga el televisor. TV/PC Selecciona el modo TV o PC.</p>
	<p>CAPTION Activa o desactiva los subtítulos. AV MODE Selecciona un Modo AV. ? (Guía del usuario) Permite acceder al menú Guía del usuario. ↔ INPUT Cambia la fuente de entrada. Enciende la TV si está apagada.</p>
	<p>Botones numéricos Permiten introducir números. - (Guión) Inserta un guión entre los números, por ejemplo, 2-1 y 2-2. LIST Permite acceder a la lista de canales guardados. Q.VIEW Permite alternar entre los dos últimos canales seleccionados (al presionar repetidamente). + VOL - Ajusta el nivel del volumen. FAV Permite acceder a la lista de canales favoritos. Selecciona un menú o una opción. GUIDE Muestra el evento del programa según la hora programada. MUTE Silencia todos los sonidos. ^ CH v Permite desplazarse por los canales guardados. ^ PAGE v Permite ir a la pantalla anterior o siguiente.</p>
	<p>PICTURE Cambia el modo de la imagen. INFO Muestra información del programa actual. SOUND Cambia el modo de audio. SETTINGS Permite acceder a los menús principales. Q.MENU Permite acceder al menú rápido.</p>
	<p>Botones de navegación Permiten desplazarse por los menús o las opciones. (arriba/abajo/derecha/izquierda) OK Permite seleccionar menús u opciones y confirmar lo ingresado. ↩ BACK Permite volver al nivel anterior. EXIT Borra todas las visualizaciones en la pantalla y permite volver a mirar la televisión.</p>
	<p>Ⓜ SIMPLINK Permite acceder a los dispositivos de AV conectados al TV; Abre el menú SIMPLINK. PIP Enciende o apaga el modo PIP.</p>
	<p>Botones de control () Permiten controlar los dispositivos compatibles con SIMPLINK (USB, SIMPLINK). Botones de color Permiten acceder a funciones especiales en algunos menús. : Rojo, : Verde, : Amarillo, : Azul Luz de fondo () Ajusta el brillo de la pantalla al controlar la luz de fondo.</p>

CÓMO UTILIZAR LA GUÍA DEL USUARIO DEL USUARIO

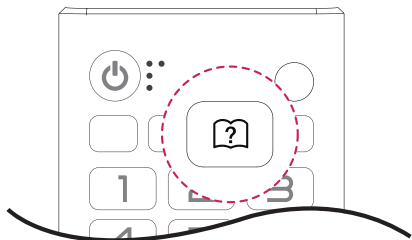
Acceso al menú de la Guía del Usuario

Uso del menú del TV

- 1 Presione **SETTINGS** para acceder a los menús principales.
- 2 Presione el botón **ROJO** para acceder a los menús de **Asistencia al cliente**.
- 3 Presione el botón de navegación para desplazarse hasta **User Guide (Guía del Usuario)** y luego presione **OK**.
- 4 Presione los botones de navegación para desplazarse hasta la opción que desee y luego presione **OK**.
- 5 Cuando termine, presione **EXIT**. Para regresar al menú anterior, presione **⇐ BACK**.

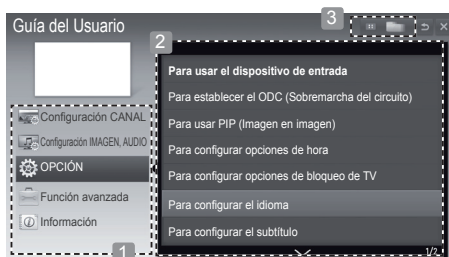
ESPAÑOL

Uso del control remoto

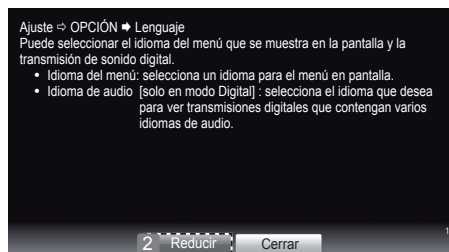
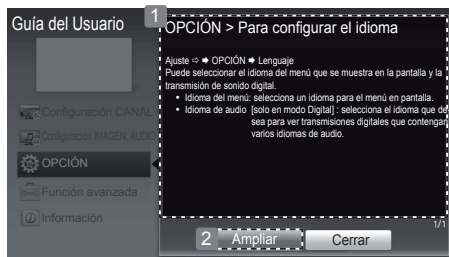


- 1 Presione **[?]** (**Guía del Usuario**) para acceder a la **Guía del usuario**.
- 2 Presione los botones de navegación para desplazarse hasta la opción que desee y luego presione **OK**.
- 3 Cuando termine, presione **EXIT**. Para regresar al menú anterior, presione **⇐ BACK**.

- La imagen visualizada puede diferir de su TV.



1	Permite seleccionar la categoría que desea.
2	Permite seleccionar el elemento que desea. Puede utilizar \wedge / \vee para cambiar de página.
3	Permite buscar la descripción de la función que desea en el índice.



1	Muestra la descripción del menú seleccionado. Puede utilizar \wedge / \vee para cambiar de página.
2	Amplía o reduce el tamaño de la pantalla.

ESPECIFICACIONES

Las especificaciones del producto pueden cambiar sin previo aviso debido a las actualizaciones de las funciones del producto.

Sistema de televisión		NTSC, PAL-M/N, SBTVD
Cobertura de programas		VHF 2-13, UHF 14-69, CATV 1-135
Impedancia de la antena externa		75 Ω
Condición de ambiente	Temperatura de funcionamiento	10 °C a 35 °C
	Humedad de funcionamiento	20 % a 80 %
	Temperatura de almacenamiento	-10 °C a 60 °C
	Humedad de almacenamiento	5 % a 90 %

MODELOS		28LN500B (28LN500B-PX)
Dimensiones (Ancho x Altura x Profundidad)	Con base	645,3 x 447,9 x 182,1 (mm)
	Sin base	645,3 x 401,6 x 78,7 (mm)
Peso	Con base	5,1 kg
	Sin base	4,7 kg
Potencia requerida		19 V $\overline{\text{---}}$, 2,0 A
Adaptador de CA-CC		Fabricante: Lien Chang Modelo : LCAP25B Fabricante: LG Innotek Modelo : PSAB-L204B
Adaptador (alimentación CC)		In: AC 100 - 240 V ~ 50/60 Hz Out: DC 19 V $\overline{\text{---}}$, 2,1 A

Modo HDMI (PC) admitido

Resolución	Frecuencia horizontal (kHz)	Frecuencia vertical (Hz)
720 x 400	31,468	70,080
640 x 480	31,469 37,500	59,940 75,000
800 x 600	37,879 46,875	60,317 75,000
1024 x 768	48,363 60,023	60,004 75,029
1280 x 800	49,702	59,810
1366 x 768	47,717	59,79

! NOTA

- La resolución óptima de la pantalla es de 1 366 x 768 a 60 Hz.
- El tiempo óptimo es la frecuencia vertical de 60Hz en cada modo.

Modo HDMI (DTV) admitido

Resolución	Frecuencia horizontal (kHz)	Frecuencia vertical (Hz)
720 x 480 progresivo	31,469 31,500	59,940 60,000
720 x 576 progresivo	31,250	50,000
1 280 x 720 progresivo	44,960 45,000 37,500	59,940 60,000 50,000
1 920 x 1 080 entrelazado	33,720 33,750 28,125	59,940 60,000 50,000
1 920 x 1 080 progresivo	27,000 33,750 67,430 67,500 56,250	24,000 30,000 59,940 60,000 50,000

Información de conexión de puerto componente

Puertos componente del televisor	Y	P _B	P _R
----------------------------------	---	----------------	----------------

Puertos de salida de video del reproductor de DVD	Y	P _B	P _R
	Y	B-Y	R-Y
	Y	Cb	Cr
	Y	Pb	Pr

Modo de componente admitido

Resolución	Frecuencia horizontal (kHz)	Frecuencia vertical (Hz)
720 x 480 entrelazado	15,730 15,750	59,940 60,000
720 x 480 progresivo	31,470 31,500	59,940 60,000
720 x 576 progresivo	31,250	50,000
1 280 x 720 progresivo	44,960 45,000 37,500	59,940 60,000 50,000
1 920 x 1 080 entrelazado	33,720 33,750 28,125	59,940 60,000 50,000
1 920 x 1 080 progresivo	56,250 67,432 67,500	50,000 59,940 60,000

MANTENIMIENTO

Limpieza del TV

Limpie el TV con regularidad para conservar el rendimiento óptimo y prolongar la vida útil del producto.



PRECAUCIÓN

- En primer lugar, asegúrese de apagar la energía y desconectar el cable de alimentación y todos los demás cables.
- Cuando no utilice el TV durante mucho tiempo, desconecte el cable de alimentación de la toma de corriente para evitar posibles daños por descargas o sobrecargas de energía.

Pantalla, marco, gabinete y base

Para quitar el polvo o la suciedad leve, pase un paño seco, limpio y suave por la superficie. Para eliminar suciedad de mayor importancia, limpie la superficie con un paño suave humedecido en agua limpia o un detergente suave diluido. Después, pase de inmediato un paño seco.



PRECAUCIÓN

- No ejerza presión, refriegue ni golpee la superficie con las uñas ni un objeto afilado, ya que puede rayar la pantalla y producir distorsiones en la imagen.
- No utilice sustancias químicas (como ceras, bencina, alcohol, diluyentes, insecticidas, desodorantes ambientales ni lubricantes) dado que pueden dañar el acabado de la pantalla y causar decoloración.
- No rocíe líquido sobre la superficie. Si entra agua al TV, puede ocasionar incendios, descargas eléctricas o mal funcionamiento.
- No emplee productos químicos, ya que puede dañar el producto.

Cable de alimentación

Quite con regularidad el polvo o la suciedad acumulados en el cable de alimentación.

SOLUCIÓN DE PROBLEMAS

Problema	Solución
No se puede controlar el televisor con el control remoto.	<ul style="list-style-type: none"> • Compruebe el sensor del control remoto en el producto e inténtelo de nuevo. • Compruebe que no haya ningún obstáculo entre el producto y el control remoto. • Compruebe si las baterías siguen funcionando y están instaladas como corresponde (⊕ con ⊕, ⊖ con ⊖).
No se muestra ninguna imagen ni se emite sonido.	<ul style="list-style-type: none"> • Revise si el producto está encendido. • Revise si el cable de alimentación está conectado a la toma de la pared. • Conecte otros productos para revisar si hay un problema con la toma de la pared.
El televisor se apaga de repente.	<ul style="list-style-type: none"> • Revise la configuración del control de energía. Es posible que el suministro eléctrico se interrumpa. • Revise si la función de Hora de Apagado / Temporizador está activada en la configuración de HORA. • Si no hay señal mientras el televisor está encendido, este se apagará automáticamente después de 15 minutos de inactividad.



Los números de modelo y de serie del televisor se encuentran ubicados en la parte posterior del aparato. Regístrelos en el siguiente espacio por si alguna vez necesita recurrir al servicio técnico.

MODELO _____

SERIE _____