



Install Manual

Wall Mounting Bracket

Please read this manual carefully before operating your set and retain it for future reference.

OSW200



COMPONENT



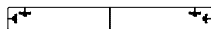
Install manual



Wall mount anchor 4 units



Wall mount screw 4 units



Guide paper

* Component of top wall mount



Top wall mount



2 spacers (front)



2 spacers (back)



1 pin for fixing top wall mount



Hanger

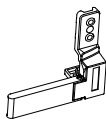


2 screws for attaching the hanger
(M6 x L33 mm)

* Component of bottom wall mount



1 bottom-right wall mount



1 bottom-left wall mount



2 bottom wall attaching
brackets



8 washers



IMPORTANT SAFETY INSTRUCTIONS

Read these instructions. Keep these instructions.
Heed all warnings. Follow all instructions.



Warning

This wall mount should be installed by a trained and experienced installer designated by the retailer.

Having the product installed by a non-specialized installer is very dangerous and can cause damage or injury.

Use a trained and experienced installer to move or replace the wall mount, if needed.

Installation requires special techniques. Moving or installing the product on your own can cause serious safety issues.

When installing the wall mount, never hang the power or signal cable on the rear side the TV.

The cord can be damaged and cause a fire, an electric shock, or damage to the product.

Do not install the product where the weight cannot be supported.

If the strength of the location where the wall mount is installed is not strong enough, it can fall off and cause an injury.

After installing the wall mount, do not hang on the product or apply severe impact to the product.

The product can fall off and cause injury.



Caution

Install the product according to the directions in the user manual.

If the product is not installed based on the directions in the user manual, it can cause a serious injury or damage to the product.

During the installation, check the type of wall material and use the sealed anchor and screw if the conditions comply.

If you do not use the designated anchor or screw, the mount may not be able to withstand the weight of the product and cause a safety issue.

Do not wipe the product with a wet towel and do not use any heater or humidifier below where the product is installed.

If water flows into the product or if moisture and heat are applied to the product, it can cause a fire, an electric shock, or problem to the product.

Unplug the power cord from the power outlet before installing the product.

If you install the product with the power cord plugged, it can cause an electric shock or a fire.

When installing the product or adjusting the height of the product after installing, always do so with 2 people.

Working alone can cause the product to fall off and result in injury or damage to the product.

When drilling holes in the wall, always use a drill bit and drill of designated diameter. Also follow the designated directions for the depth of the hole.

If the product is installed without following the designated method, the product may be unstable and cause a safety issue.

Do not install the product near any object that may cause vibration.

Do not install the product near any high voltage power cable or power source.

Do not install the product with bare hands. Always wear proper work gloves.

It can cause an injury.

Do not allow the video connectors connected to the display to press against the wall. Use the included right-angle adapters if needed.

Only use attachments/accessories specified by the manufacturer.



BEFORE INSTALLATION

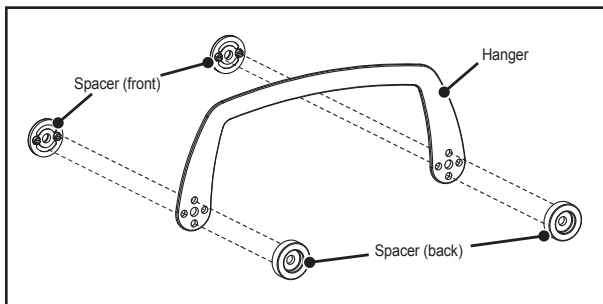
- * Do not use the product for purposes other than mounting a display on the wall.
 - * When installing/using the wall mount, be cautious of product damage and avoid accidents.
 - * If you have not fully read and understood the installation manual, do not install the product and contact the dealer to have a specialized installer install the product for you.
 - * Install the product only on a vertical wall.
The manufacturer is not responsible for issue from installing the product on an angled wall or on the ceiling.
 - * Check that the accessories provided with the product are all included before installing. LG Electronics is not liable for any damage or loss of accessories after the package has been opened.
 - * Keep the included accessories out of reach of babies or children as it can cause safety issues including suffocation from swallowing the parts.
 - * Make sure screws are tight against the wall, but do not overtighten.
Applying excessive force to screws may damage to the wall, affect the product performance, or cause the product to become damaged.
 - * Be careful not to install a TV that exceeds the weight restrictions of the wall mount.
 - * Be careful with the tools used during installation to prevent accidents or damage.
- Tools you will need - Phillips head + driver (manual or motorized) / 8 mm socket wrench / Level / Stud finder / Drill.
You may also need an \varnothing 4 mm drill bit for wood (or steel) or an \varnothing 8 mm drill bit for concrete.



INSTALLATION METHOD

- The actual product may differ from the picture.

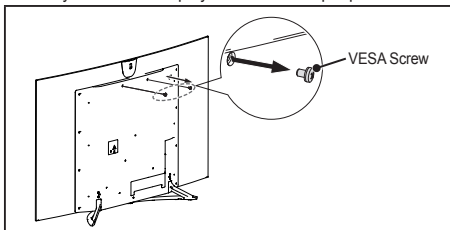
1 How to Attach the Spacers to the Hanger



→ Attach the spacers to the hanger in the direction of the dotted lines as shown in the illustration.

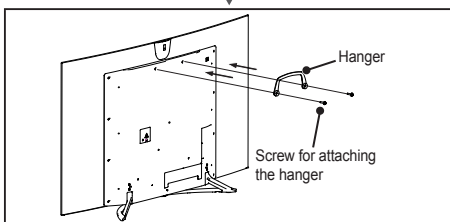
2 How to Attach the Brackets for the Product to the TV

- If the screws are not fully tightened when you fix the top and the bottom wall mount, check the length of the screws and tighten them again.
- Always install the display with 2 or more people.

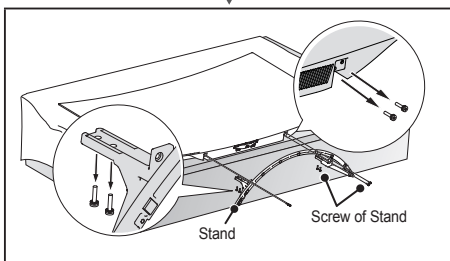


- Work procedure

1. Remove the two VESA screws from upper back of TV when in an upright position.



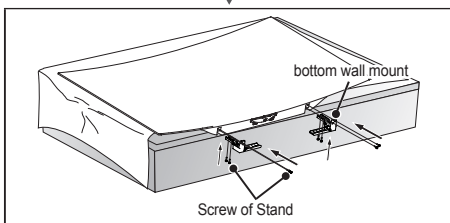
2. Use the screws for attaching the hanger to tighten the hanger as shown.
 - Tighten the screws for attaching the hanger and hanger until they are securely attached to the TV set.
 - Use the + driver (manual or motorized) when tightening the screw.



3. Remove the 8 stand attaching screws tightened at the bottom of the TV set to detach the stand.
 - Place the TV on a table with the screen facing up. Make sure that you place it on a flat surface covered with a soft cloth or cushion to protect TV set from scratches.
 - The 8 stand attaching screws removed will be used to attach the bottom wall mounts.

* CAUTION

- When detaching the stand, make sure to hold it firmly while removing the screws. Otherwise, it may fall.

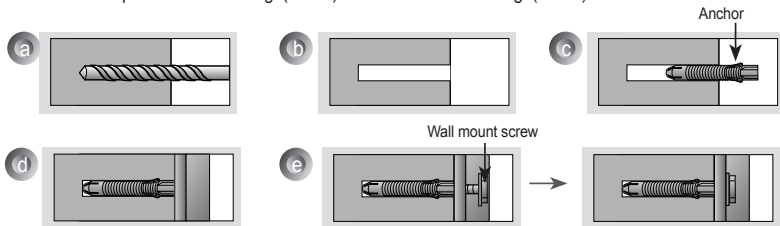


4. Use the 8 stand attaching screws to tighten the bottom wall mount as shown.
 - Tighten the stand attaching screws and bottom wall mount until they are securely attached to the TV set.
 - Use the + driver (manual or motorized) when tightening the screw.

3 How to attach to masonry walls

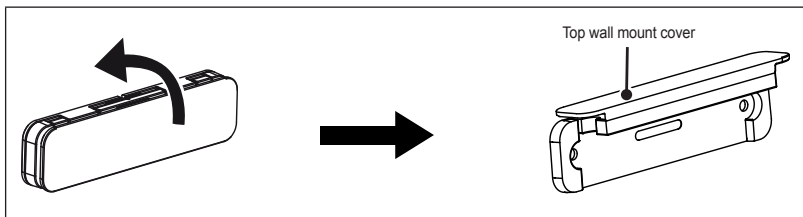
Please follow the below direction.

- Check the material of the wall and the thickness of the finishing.
- Use the anchors for wall material of concrete, light concrete, strong natural stone, soft natural stone masonry brick and hallow block that do not crack.
- Do not mount the device on the walls made from plasterboard or medium density fiberboard (MDF). In this case, the anchor and screws must be inserted into the concrete behind the finish surface. If there is no concrete on the other side, then you must first install a separate hanger to securely install the anchors and screws.
- When installing the product on wall material not designated, install the product so that each location can withstand the pull out load of 70 kgf (686 N) and shear load of 100 kgf (980 N) or above.

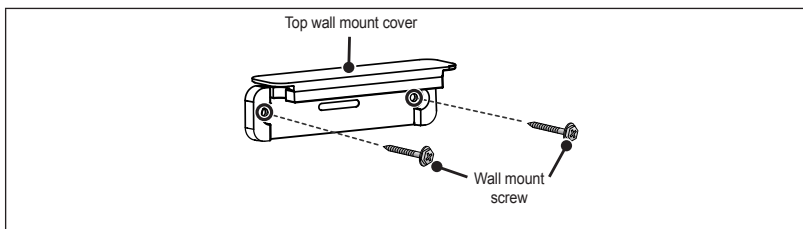


- Use the $\varnothing 8$ mm drill bit for concrete and hammer (impact) drill.
- a. Use a drill bit $\varnothing 8$ mm to drill a hole for the anchor location within a depth of 80 mm - 100 mm
- b. Clean the drilled hole.
- c. Insert the sealed anchor to the hole. (When inserting the anchor, use a hammer.)
- d. Set the wall mount on the wall by aligning to the location of the hole. and, set the angle adjusting part to face upward.
- e. Align the wall mount bolt to the hole and tighten it. Then, fasten the bolts at Torque of 45 kgf/cm - 60 kgf/cm.

4 How to Install the Top Wall Mount



- Open the top wall mount cover completely.
- Place the top wall mount onto the area of the wall where you want to install it, and then check if the wall mount is level using a leveler.

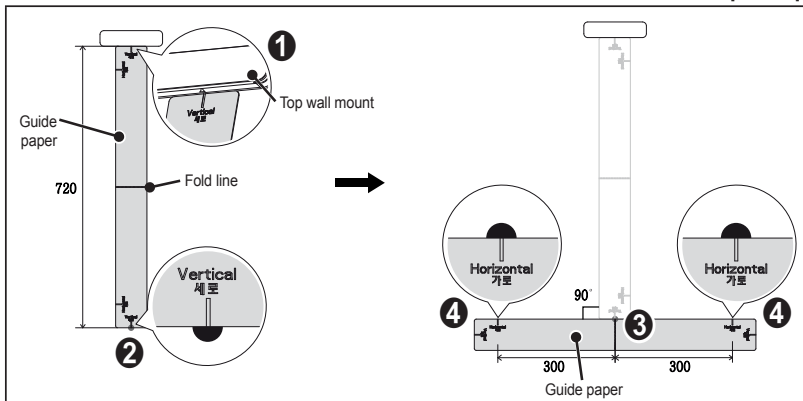


- Attach wall mount screws as shown in the illustration.
- At this time, use a + driver (manual or motorized) or 8 mm wrench to tighten the screw so that the wall, wall bracket and screw are completely pressed against one another.
- After attaching the screws, put down the top wall mount cover.

5 How to Install the Bottom Wall Mount

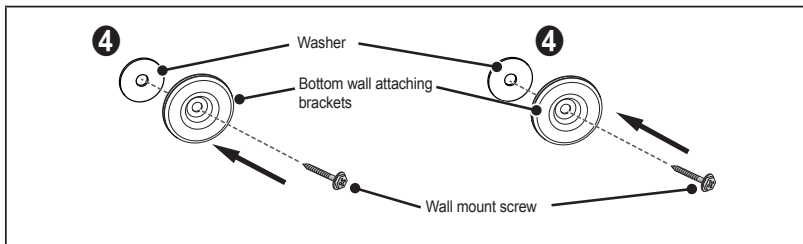
How to Select the Installation Location of the Bottom Wall Mount

[unit : mm]



- 1 Align the bottom of the top wall mount with the **Vertical 세로** point.
Make sure that there are no gaps behind the guide paper. Keep the paper in a vertical position and aligned with the top wall mount.
- 2 Keeping the guide paper in a vertical position, mark the **Vertical 세로** point.
- 3 Align the **Vertical 세로** point with the center of the guide paper (fold line).
Adjust the horizontality of the guide paper using a level.
- 4 After making sure that there are no gaps behind the guide paper and keeping the paper in a horizontal position, mark the two **Horizontal 가로** points.
→ Install bottom wall mounting brackets at the two **Horizontal 가로** points.

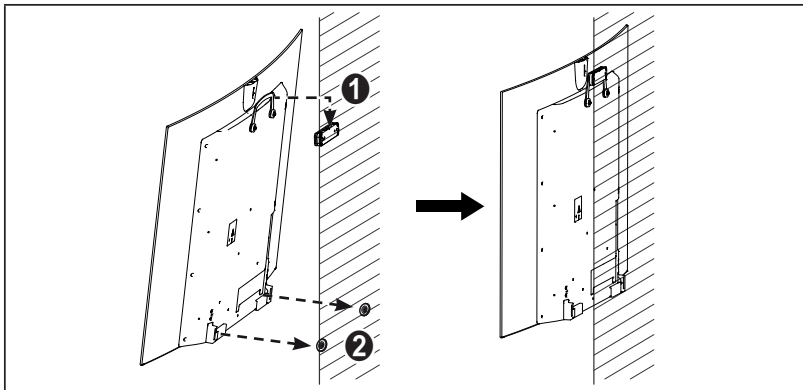
How to Install the Bottom Wall Mount



- Fix the two bottom wall mounting brackets onto the wall using the wall mount screw as shown in the figure.
- Depending on the condition of the wall, use additional washers when tightening the bottom wall attaching brackets.

6 How to Attach the Top Wall Mount to the Product

- Two or more people are needed to lift and install the product.



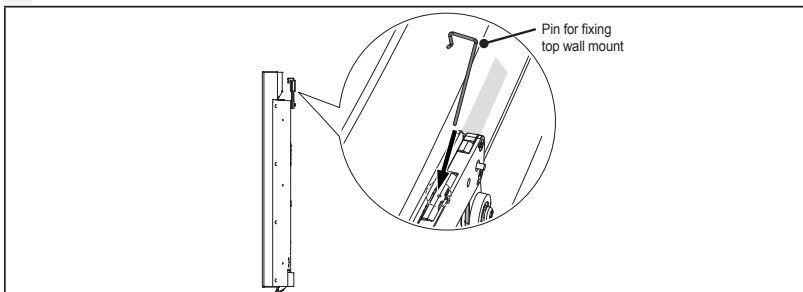
Hang the hanger on the top wall mount as shown in the figure.

- Two people must lift the TV set attached to the hanger and carefully check from both sides whether it is properly installed.
- Make sure that the product is fixed securely by lightly pulling on the bottom of the TV.
- The product should be about 10 mm apart from the wall. When connecting cables and accessories, make sure that the product is installed at a sufficient distance from the wall to avoid putting stress on them.
- Pushing the product with excessive force may cause damage to the product.

Please follow the below direction.

- This product is easily damaged by external shock, so please handle it with care. For more information, please refer to the owner's manual of the TV.

7 How to Install the Top Wall Mount Fixing Pin



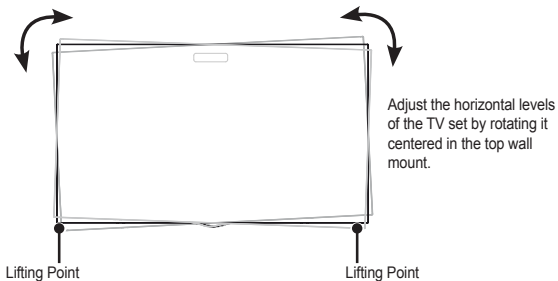
- After installing the top wall mount, attach the wall mount to the TV using the top wall mount attaching pin as shown in the illustration.

* CAUTION

- If the wall mount is not attached to the TV using the top wall mount fixing pin, the TV may be removed resulting in damage or injury.

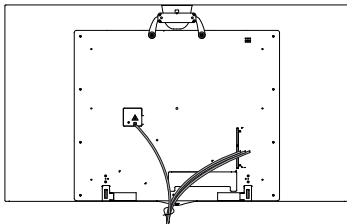
8 How to Adjust the Level of the Product

- If the product is not level after installation, lift the product slightly so that it moves to a position where it is level.



9 How to Tidy Up Cables

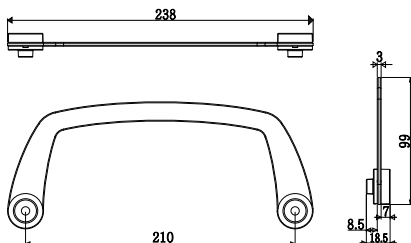
- Tidy up cables as shown in the illustration. Purchase a band for tidying up cables or use the band that comes with the TV.



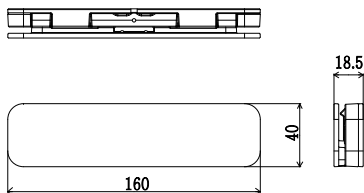
PRODUCT SPECIFICATION

[unit : mm]

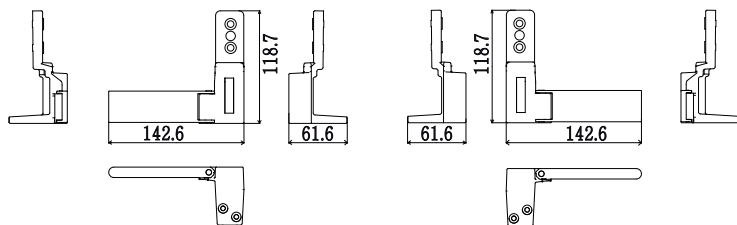
Hanger



Top wall mount



Bottom wall mount



	Top Assembly	Hanger Assembly	Lower Assembly
Width (mm)	160	238	142.6
Height (mm)	40	99	118.7
Depth (mm)	18.5	18.5	61.6
Weight (kg)	1.1		
Max.UL Load Capacity (kg)	30		



The model and serial number of the product is located on the back or one side of the product. Record it below should you ever need service.

MODEL _____

SERIAL _____