



Install Manual

HECTO Series Screen

(HECTO/HECTO2/HECTOB)

Please read the safety information carefully before using this product.

(Refer to this manual when installing the screen with the Ez bracket and the ceiling-type bracket.)

SC200



www.lg.com

P/NO.: MFL67864907 (1405-REV01)

SAFETY PRECAUTIONS

Please take note of safety instructions to prevent any potential accident or misuse of the product.

- Safety precautions are given in two forms, i.e. **WARNING** and **CAUTION** as detailed below.

⚠ WARNING: Failure to follow the instructions may cause serious injury and even death.

⚠ CAUTION: Failure to follow the instructions may cause minor injury to persons or damage to the product.

- Read the owner's manual carefully and keep it for future reference.

Installation

⚠ WARNING

- The product should be installed by a qualified professional specified by the retail store.
 - The product installation by a unqualified person is dangerous and may cause personal injury.
- This product should be installed where its weight can be properly supported.
 - Otherwise, it may fall and cause personal injury.
- When moving or replacing this product after installation, contact a qualified installer specified by the retail store.
 - If an unqualified person moves and installs this product, it may cause safety issues as this installation requires specialized training.
- Do not hang on this product or strike it in any way.
 - Otherwise, it may fall and cause injury.

⚠ CAUTION

- Follow the instructions in the manual to properly install this product.
 - Otherwise, it may cause serious injury or product damage.
- When installing or adjusting the height of this product, two or more people are required.
 - If you do it by yourself, you may drop it, causing personal injury or product damage.
- When installing the product, first check that the wall is strong enough and use the anchors and screws provided.
 - Otherwise, they may not bear the weight of this product and cause safety issues.

-
- When drilling holes into the wall, make sure you use a drill and drill bit with the specified diameter. Ensure that you also follow the instructions regarding the depth of the holes.
 - Otherwise, this product may not be installed properly and cause safety issues.
 - Do not clean the product with a wet towel, and do not place a heater or humidifier beneath it.
 - Moisture, steam, or heat permeating into this product may result in fire, electric shock, or product damage.
 - Keep this product away from sprinklers, sensors, high-tension wires, and power sources. Do not install it in a location where vibrations or impact shocks are likely to occur.
 - Wear work gloves when installing this product. Do not use bare hands.
 - Otherwise, personal injury may occur.

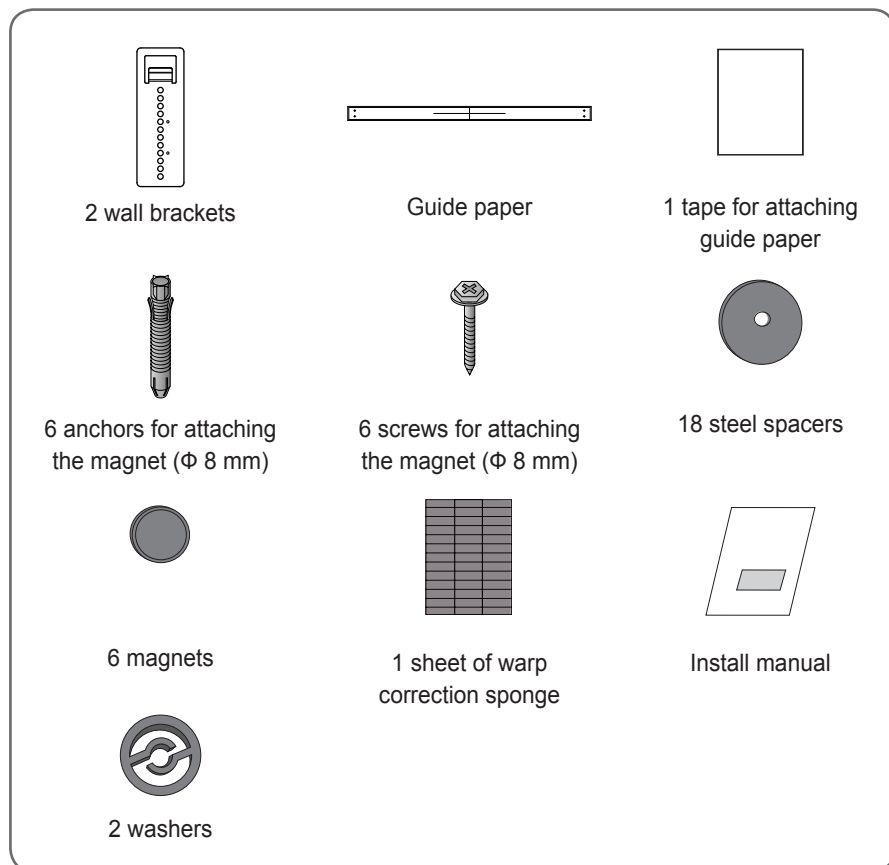
PREPARATION

Accessories

Check the accessories provided with the product.

The picture may be different from the actual product.

Accessories are subject to change without prior notice in order to improve the performance of the product. New accessories may be added or old ones may be removed.



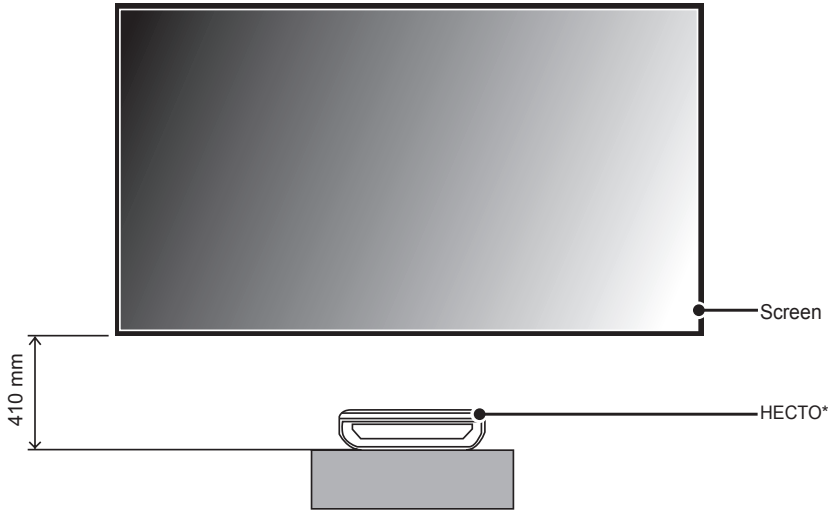
Preparations

A Φ 8 mm drill bit for concrete, a hammer (impact) drill, a level, a tape measure, screwdrivers, and tape.

PREVIEW OF THE SCREEN INSTALLATION

Installation position

The picture may be different from the actual product.



Installation procedure

- 1 Decide the desired position of your HECTO* screen and place the HECTO* in the center of the position.
- 2 Attach the guide paper according to the HECTO*'s position.
- 3 Drill holes according to the guide paper and attach the wall brackets on the wall.
- 4 Hang the screen onto the wall brackets and then project an image on the screen.
- 5 Adjust the position of the projected image and then attach the screen bottom.



NOTE

- If the temperature changes abruptly and drastically, the screen may be distorted temporarily. However, placing it at room temperature will restore the normal state.



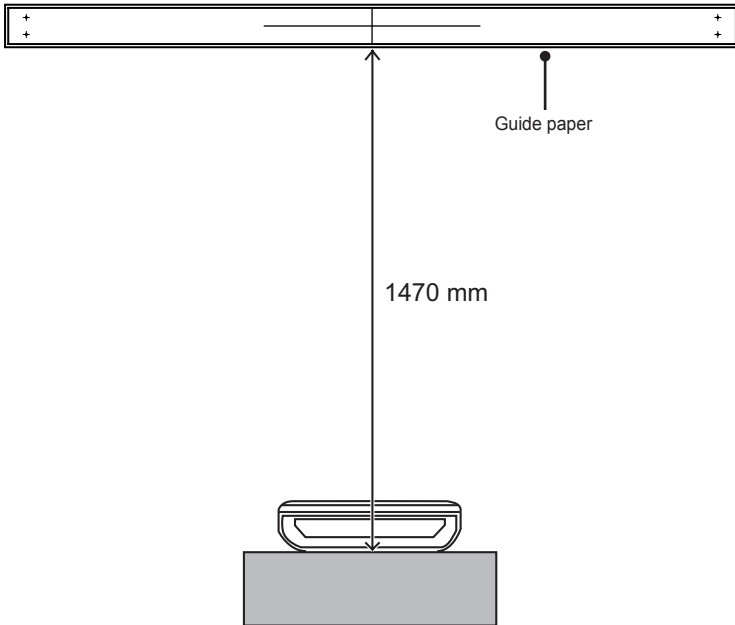
CAUTION

- Strong impact may damage the screen.

INSTALLING

Positioning the screen

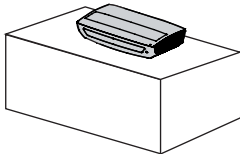
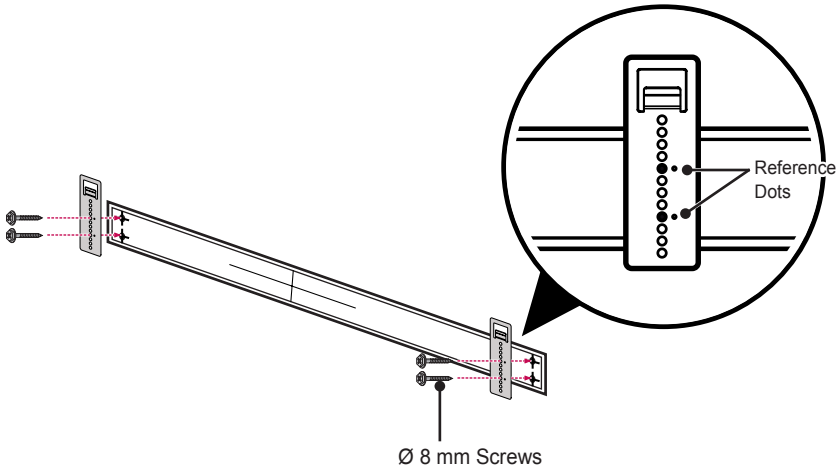
- 1 Place the guide paper at a height of 1470 mm from the tabletop. Align the centers of the guide paper and the HECTO*. While keeping the guide paper **level** with the floor, attach it to the wall.



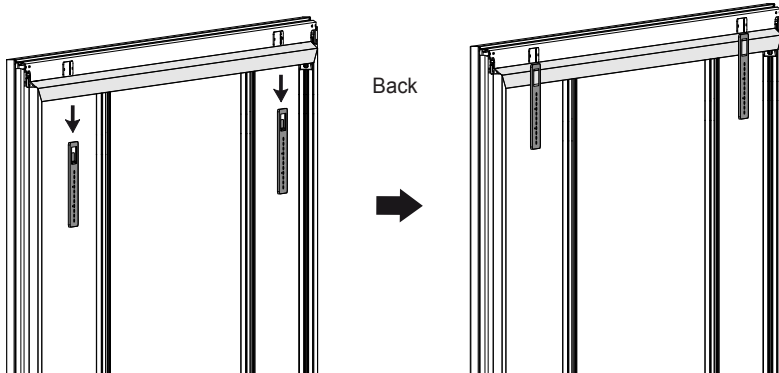
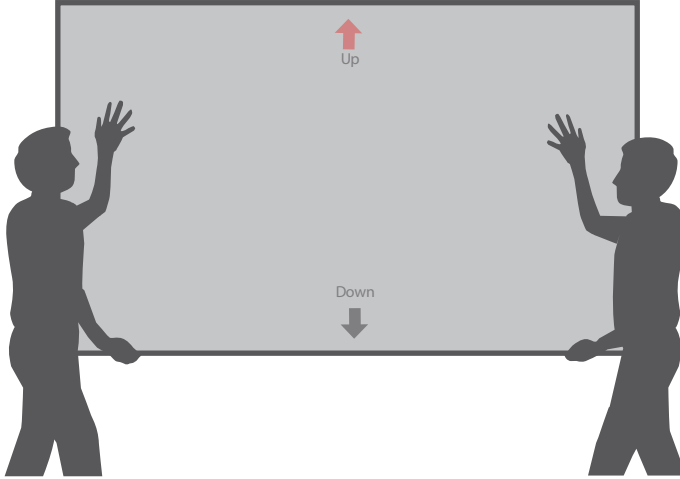
CAUTION

- Check that the paper guide is **horizontal** by using a level. The paper guide must be horizontal for the screen to be hung correctly.

- 2** Drill the holes using the Φ 8 mm drill bit, according to the holes marked on the guide paper. Remove the paper and insert the anchors into all of the holes. Using the Φ 8 mm screws, fix the wall bracket on the wall while matching the reference dots and the holes.



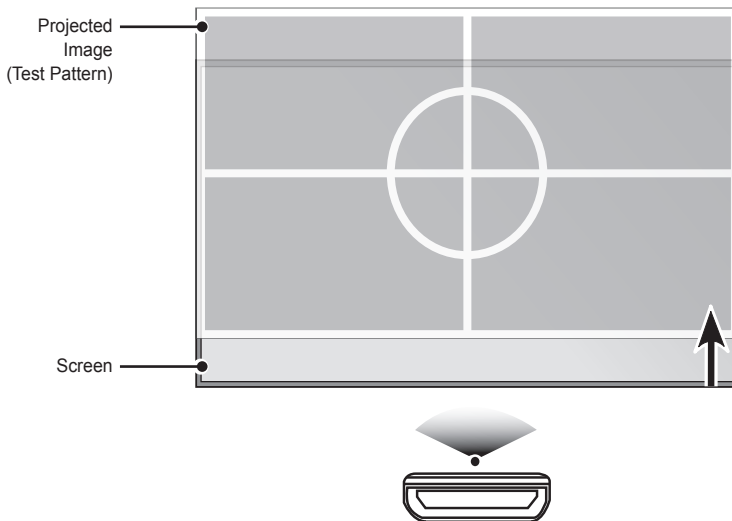
- 3** Two people lift the screen and hang it onto the wall bracket while keeping the Up arrow facing up. (When installing the ceiling type, attach the screen upside down while keeping the Up arrow facing down.)



CAUTION

- Be careful not to scratch the film on the back of the screen.

- 4 Power on the HECTO*
- 5 Activate the Test Pattern, referring to the user manual.
- 6 When installing with the Ez bracket, make the projected image rectangular, referring to the **User Guide for Correcting Image Distortion**. (Without Ez brackets, move the HECTO* to make the projected image rectangular.)
- 7 As shown below, adjust the position of the screen to match the projected image.

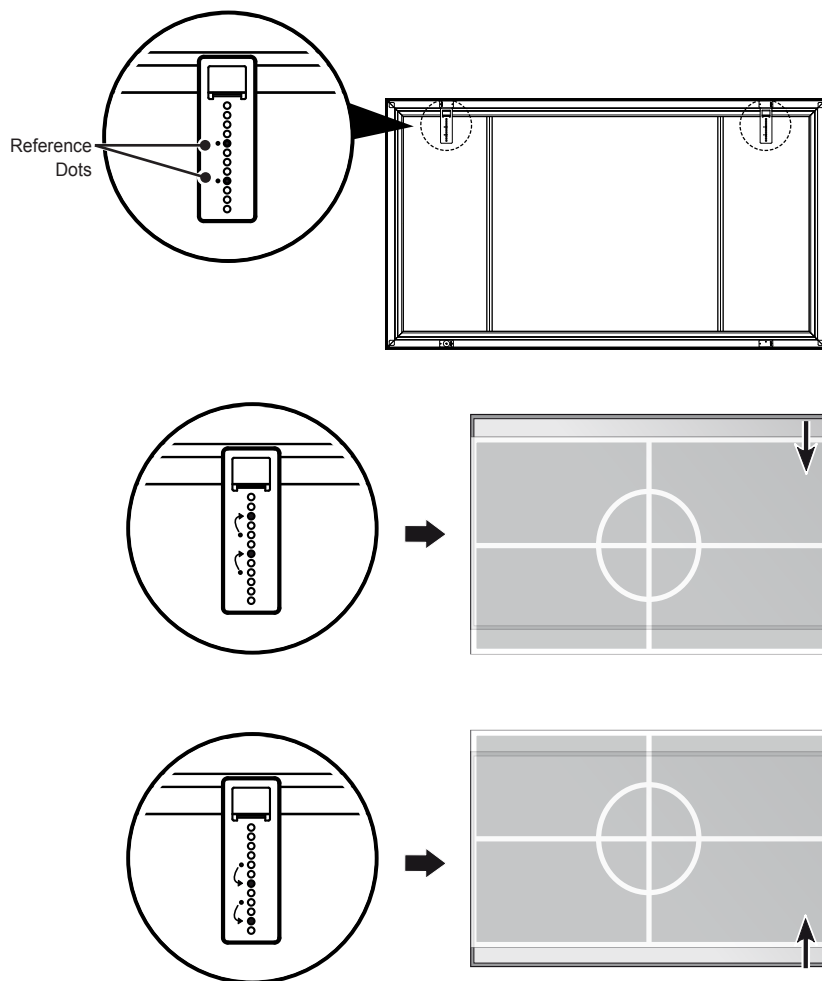
**NOTE**

- If the projected image needs to be moved horizontally, grab the screen gently and move it.
- If the image needs to move further, then move the HECTO* itself.

Aligning the screen by adjusting the screen height

If you need to adjust the screen height, unscrew the wall brackets and move the reference dots up or down and fix them again.

The distance between two dots is 10 mm. (Height: adjustable up to + 40 mm upwards, and -30 mm downwards)

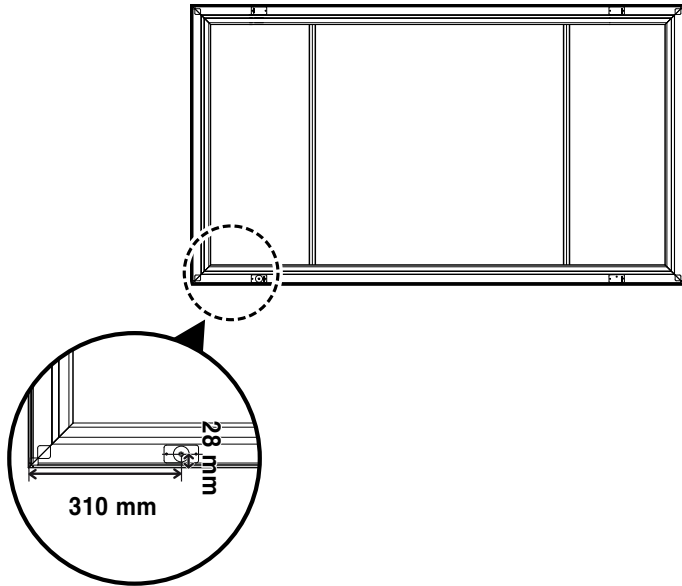


NOTE

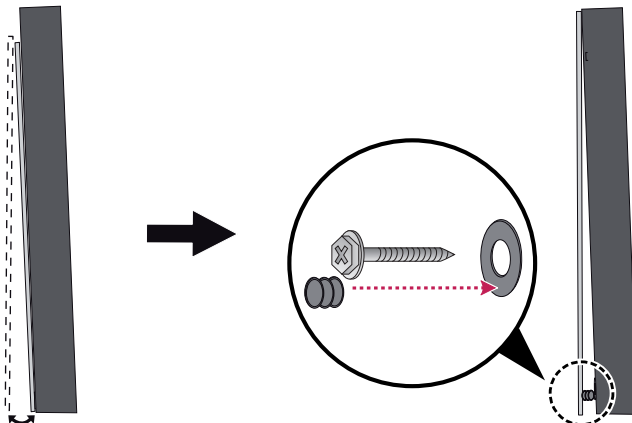
- If the screen height is off by a small difference after adjustment, move the HECTO* forwards to enlarge the screen and use the Edge Adj function to fit the screen size.

Fixing the screen

- 1 On the point that is 310 mm away from the both side edges and 28 mm high from the bottom edge, drill 8 mm holes and attach the space steels using the 8 mm screws.

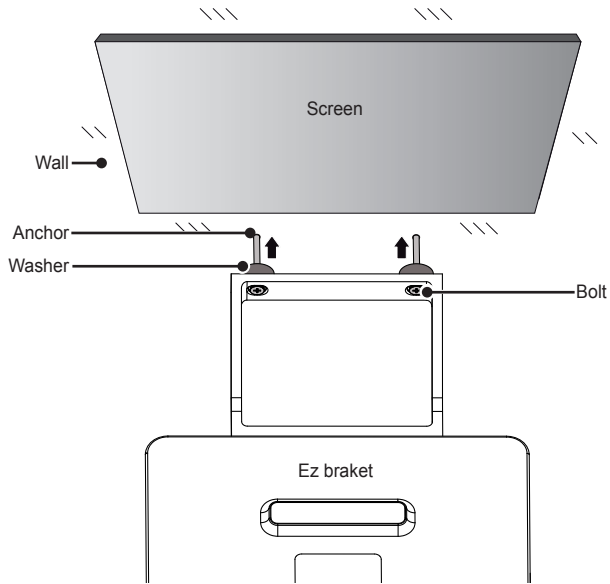


- 2 Attach three magnets to each of the steel spacers attached to the lower holes. (Depending on the condition of the wall, add steel spacers in order to hang the screen upright and plumb.)



Installing with Ez Bracket

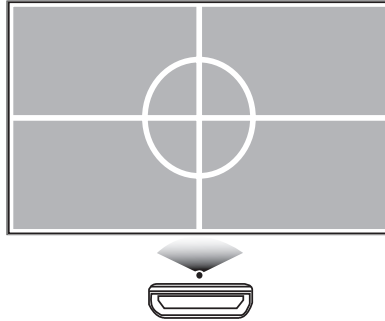
Install the Ez bracket after completing all the screen installations in the order described below.



- 1** Make holes on the wall and insert the anchors into the holes.
- 2** Make sure that the anchors, washers and Ez bracket holes are in line and then tighten the bolts.

Watching images

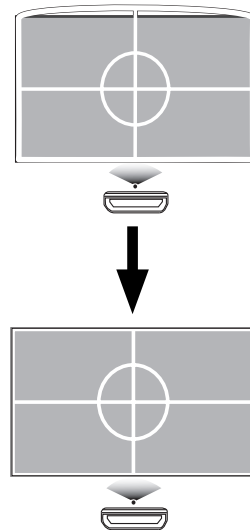
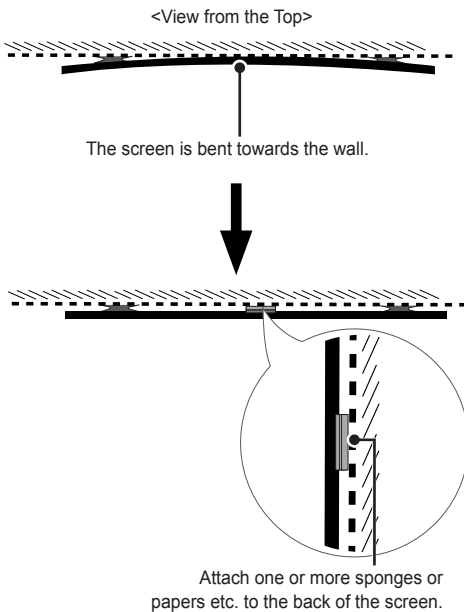
When all the steps have been completed, the projected image matches the screen, as shown in the figure below.



When the projected image is bent

The screen may not be flat in some cases.

If the projected image is bent, as shown below, even after all the adjustments have been made, attach one or more sponges or papers etc. to the top of the back of the screen. This will make the screen flat.



FIXING THE ANCHORS AND SCREWS

Fixing the anchors and screws



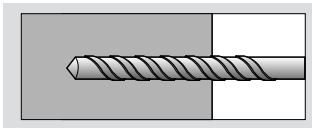
CAUTION

- Check the wall material and thickness of the finish material.
- You can use the included anchors and screws with the screen for walls made of concrete, lightweight concrete, soft fieldstone, hard fieldstone, brick, or hollow blocks.
- If you want to install the product on another type of wall not previously listed, make sure the wall can withstand a load of 686 N (70 kgf) per part and a shear load of 980 N (100 kgf) or more.
(Layer reinforcing materials such as plywood over the wall and then install the product on top.)

- Drill a hole with a diameter of 80-100 mm where the anchor will be attached to using an 8 mm drill bit.
- Clean out the drilled hole.
- Insert the enclosed anchor into the hole. (Use a hammer when inserting the anchor.)
- Insert the component into the hole and tighten it.

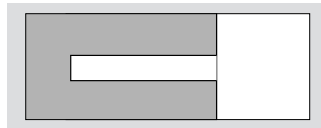
Tighten the screw using a recommended torque of 45 - 60 kgf/cm or more.

a



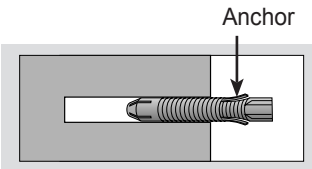
Drilling

b



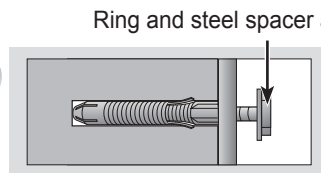
Hole cleaning

c

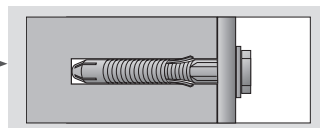


Anchor insertion

d

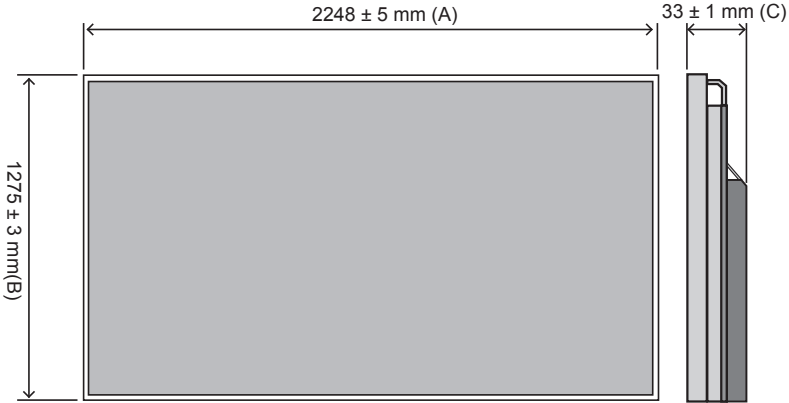


Attaching ring and steel spacer



Attaching ring and steel spacer

SPECIFICATIONS



Model name	SC200
A (width)	2248 mm ± 5 mm
B (height)	1275 mm ± 3 mm
C (thickness)	33 mm ± 1 mm
Weight	Up to 16 kg

