



OWNER'S MANUAL

# Portable mini system

ENGLISH

Please read this manual carefully before operating your set and retain it for future reference.

OM6540



MFL68523746

[www.lg.com](http://www.lg.com)

## Safety Information

1

Getting Started



**CAUTION:** TO REDUCE THE RISK OF ELECTRIC SHOCK DO NOT REMOVE COVER (OR BACK) NO USER-SERVICEABLE PARTS INSIDE REFER SERVICING TO QUALIFIED SERVICE PERSONNEL.

This lightning flash with arrowhead symbol within an equilateral triangle is intended to alert the user to the presence of uninsulated dangerous voltage within the product's enclosure that may be of sufficient magnitude to constitute a risk of electric shock to persons.



The exclamation point within an equilateral triangle is intended to alert the user to the presence of important operating and maintenance (servicing) instructions in the literature accompanying the product.



**WARNING:** TO PREVENT FIRE OR ELECTRIC SHOCK HAZARD, DO NOT EXPOSE THIS PRODUCT TO RAIN OR MOISTURE.

**WARNING:** Do not install this equipment in a confined space such as a book case or similar unit.

**CAUTION:** The apparatus should not be exposed to water (dripping or splashing) and no objects filled with liquids, such as vases, should be placed on the apparatus.

**CAUTION:** Do not block any ventilation openings. Install in accordance with the manufacturer's instructions.

Slots and openings in the cabinet are provided for ventilation and to ensure reliable operation of the product and to protect it from over heating. The openings shall never be blocked by placing the product on a bed, sofa, rug or other similar surface. This product should not be placed in a built-in installation such as a bookcase or rack unless proper ventilation is provided or the manufacturer's instruction has been adhered to.

### CAUTION concerning the Power Cord

Most appliances recommend they be placed upon a dedicated circuit;

That is, a single outlet circuit which powers only that appliance and has no additional outlets or branch circuits. Check the specification page of this owner's manual to be certain. Do not overload wall outlets. Overloaded wall outlets, loose or damaged wall outlets, extension cords, frayed power cords, or damaged or cracked wire insulation are dangerous. Any of these conditions could result in electric shock or fire. Periodically examine the cord of your appliance, and if its appearance indicates damage or deterioration, unplug it, discontinue use of the appliance, and have the cord replaced with an exact replacement part by an authorized service center. Protect the power cord from physical or mechanical abuse, such as being twisted, kinked, pinched, closed in a door, or walked upon. Pay particular attention to plugs, wall outlets, and the point where the cord exits the appliance. The Power Plug is the disconnecting device. In case of an emergency, the Power Plug must remain readily accessible.

This device is equipped with a portable battery or accumulator.

**Safety way to remove the battery or the battery from the equipment:**

Remove the old battery or battery pack, follow the steps in reverse order than the assembly. To prevent contamination of the environment and bring on possible threat to human and animal health, the old battery or the battery put it in the appropriate container at designated collection points. Do not dispose of batteries or battery together with other waste. It is recommended that you use local, free reimbursement systems batteries and accumulators. The battery shall not be exposed to excessive heat such as sunshine, fire or the like.

**Disposal of your old appliance**



1. When this crossed-out wheeled bin symbol is attached to a product it means the product is covered by the European Directive 2002/96/EC.
2. All electrical and electronic products should be disposed of separately from the municipal waste stream via designated collection facilities appointed by the government or the local authorities.
3. The correct disposal of your old appliance will help prevent potential negative consequences for the environment and human health.
4. For more detailed information about disposal of your old appliance, please contact your city office, waste disposal service or the shop where you purchased the product.

**Disposal of waste batteries/accumulators**



1. When this crossed-out wheeled bin symbol is attached to batteries/accumulators of Your product it means they are covered by European Directive 2006/66/EC.
2. This symbol may be combined with chemical symbols for mercury(Hg), cadmium(Cd) or lead(Pb) if the battery Contains more that 0.0005% of mercury,0.002% of cadmium or 0.004% of lead.
3. All batteries/accumulators should be disposed separately from the municipal waste stream via designated collection facilities appointed by the government or the local authorities.
4. The correct disposal of Your old batteries/accumulators will help to prevent potential negative consequences for the environment, animal and human health.
5. For more detailed information about disposal of Your old batteries/accumulators, please contact Your city office, waste disposal service or the shop where You purchased the product.

# Table of Contents

## 1 Getting Started

- 2 Safety Information
- 6 Unique Features
- 6 Accessories
- 7 Playable file Requirement
  - 7 - Music file requirement
  - 7 - Compatible USB Devices
  - 7 - USB device requirement
- 8 Remote control
- 10 Front panel
- 12 Rear panel
- 13 Use of Tripod

## 2 Connecting

- 15 Optional Equipment Connection
  - 15 - AUX IN Connection
  - 15 - PORT. IN Connection
  - 16 - USB Connection
  - 16 - Antenna Connection

## 3 Operating

- 17 Basic Operations
  - 17 - Searching for a folder
  - 18 - Deleting an MP3/WMA file
  - 18 - AUTO DJ playback
  - 19 - Programmed Playback
    - 19 - Deleting Programmed list
  - 20 - LG Sound Sync
  - 20 - AUTO POWER On
  - 21 - Auto function change
- 21 Using a Bluetooth wireless technology
  - 22 - Listening to music stored on the Bluetooth devices
    - 23 - Using Bluetooth App
- 25 Radio Operations
  - 25 - Listening to the radio
  - 25 - Improving poor FM reception
  - 25 - Presetting the Radio Stations
  - 25 - Deleting all the saved stations
- 26 Other Operations
  - 26 - Turn off the sound temporarily
  - 26 - Displaying file information (ID3 TAG)
    - 26 - DEMO
    - 26 - Using Microphone
  - 27 - Switching on and off the speaker light
- 28 Sound adjustment
  - 28 - Setting the surround mode
  - 28 - Setting the USER EQ
- 29 Setting the Clock
  - 29 - Setting the Clock through "LG Bluetooth Remote" App
    - 29 - Using your player as an alarm clock
  - 30 - Sleep Timer Setting
  - 30 - Dimmer
    - 30 - Auto power down

## 4 Troubleshooting

---

31 Troubleshooting

## 5 Appendix

---

32 General specifications  
33 Maintenance  
33 - Handling the Unit  
33 Trademarks and Licenses

1

2

3

4

5

## Unique Features

### Bluetooth

Listens to music stored on your bluetooth device.

### Portable In

Listens to music from your portable device. (MP3, Notebook, etc.)

### LG Sound Sync

Controls volume level of this unit by the remote control of your LG TV that is compatible with LG Sound Sync.

### LG Bluetooth Remote

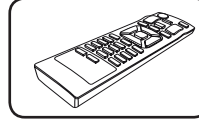
You can control this unit with your Android device via Bluetooth. This unit and your device must be paired for Bluetooth. This unit and your device must be paired for Bluetooth. Visit "Google Android Market (Google Play Store)" or use the QR code shown below to search for "LG Bluetooth Remote" app. For detailed information, refer to page 23-24.



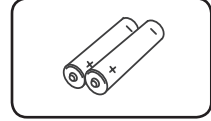
(Android OS)

## Accessories

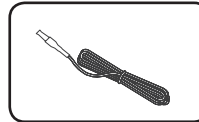
Please check and identify the supplied accessories.



Remote Control (1)



Batteries (2)



FM Antenna (1)

# Playable file Requirement

## Music file requirement

MP3/WMA file compatibility with this unit is limited as follows.

- File extensions : “.mp3”/“.wma”
- Sampling frequency : within 32 to 48 kHz (MP3), within 32 to 48 kHz (WMA)
- Bit rate : within 32 to 320 kbps (MP3), 40 to 192 kbps (WMA)
- Maximum files : Under 999
- Maximum folders : Under 99

## Compatible USB Devices

- MP3 Player : Flash type MP3 player.
- USB Flash Drive :  
Devices that support USB2.0 or USB1.1.
- The USB function of this unit does not support all USB devices.

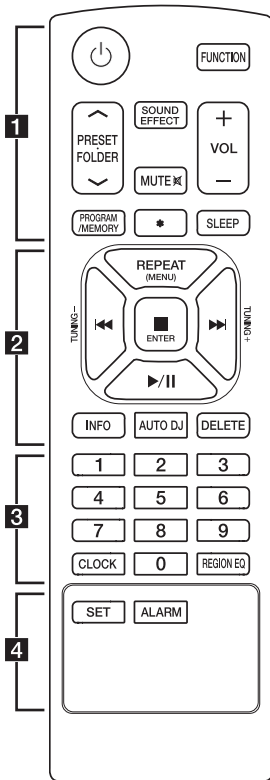
## USB device requirement

- Devices which require additional program installation when you have connected it to a computer, are not supported.
- Do not extract the USB device while in operation.
- For a large capacity USB, it may take longer than a few minute to be searched.
- To prevent data loss, back up all data.
- If you use a USB extension cable or USB hub, the USB device is not recognized.
- Using NTFS file system is not supported. (Only FAT(16/ 32) file system is supported.)
- This unit is not supported when the total number of files is 1,000 or more.
- External HDD, Card readers, Locked devices or hard type USB devices are not supported.
- USB port of the unit cannot be connected to PC. The unit cannot be used as a storage device.
- Some USB may not work with this unit.

# Remote control

1

Getting Started



..... **1** .....

**⏻ (Power)** : Switches the unit ON or OFF.

**FUNCTION** : Selects the function and input source.

**PRESET-FOLDER  $\wedge$ / $\vee$**  :

- Searches for a folder of MP3/WMA files. When a USB containing MP3/WMA files in several folders is being played, press **PRESET-FOLDER  $\wedge$ / $\vee$**  to select the folder you want to play.
- Chooses a preset number for a radio station.

**SOUND EFFECT** : Chooses sound impressions.

**MUTE  $\boxtimes$**  : Mutes the sound.

**VOL +/-** : Adjusts speaker volume.

**PROGRAM/MEMORY** :

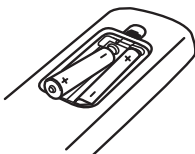
- Stores radio stations.
- Creates a playlist you want to listen to.

**\*** : The button is not available for any function.

**SLEEP** : Sets the system to turn off automatically at a specified time.

(Dimmer : The display window will be darkened by half.)

## Battery Installation



Remove the battery cover on the rear of the Remote Control, and insert two (size AAA) batteries with **+** and **-** matched correctly.



2

**REPEAT (MENU) :** Listens to your files repeatedly or randomly.

**TUNING-/+ :** Selects the radio stations.

**◀◀/▶▶ :**

- Skips Fast backward or Forward.
- Searches for a section within a file.

**■ ENTER :**

- Stops playback.
- Cancels DELETE function.

**▶/|| :**

- Starts or pauses playback.

**INFO :** Sees informations about your music. An MP3 file often come with ID3 tag. The tag gives the Title, Artist, Album or Time information.

**AUTO DJ :** Selects the AUTO DJ mode. (For more information refer to the page 18)

**DELETE :**

- Deletes MP3/WMA files.
- Deletes a song on Programmed playback list.

3

**0 to 9 numerical buttons :** Selects numbered files or preset number.

**CLOCK :** For setting the clock and checking the time.

**REGION EQ :** Chooses sound impressions.

4

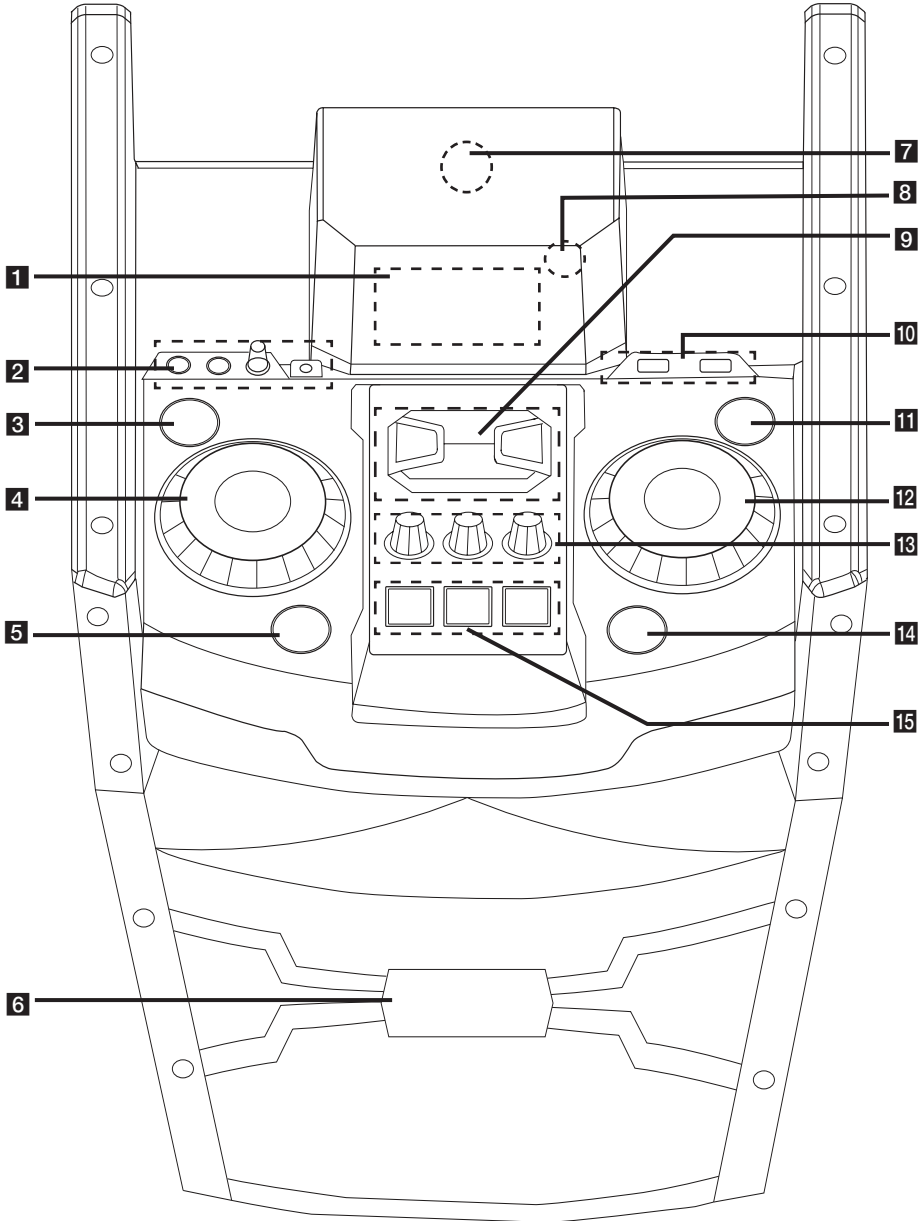
**SET :** Confirms the setting.

**ALARM :** With the ALARM function you can turn USB play and TUNER reception on at a desired time.

# Front panel

1

Getting Started



**1** Display window

**2** MIC 1/2 jack

**MIC VOL.**

**PORT. IN** jack

**3**  (Power)

**4** **MASTER VOLUME**

Adjusts speaker volume.

**5** **AUTO DJ**

Selects the AUTO DJ mode. (For more information refer to the page 18)

**6** **X-FLASH LED**

**7** 

NFC allows you to install and open "LG Bluetooth Remote" app to NFC-enabled phone.

**8** Remote control receiver

**9** 

Starts or pauses playback.



Stops playback or cancels DELETE function.

**I<< / >>I**

- Skips Fast backward or Forward.

- Searches for a section within a file.

**10** **USB 1/2 Port**

You can play files by connecting the USB device.

**11** **REPEAT**

Listens to your files repeatedly or randomly.

**12** **FILE SEARCH**

Selects a file on USB function.

**13** **BASS/MIDDLE/TREBLE**

Adjusts the sound level when setting USER EQ.

**14** **BASS BLAST**

Selects the BASS BLAST or BYPASS sound directly.

**15** **FUNCTION**

Selects the function and input source.

**USER EQ/DEMO**

- Controls sound register.

- Shows demo.

**X-FLASH/SET**

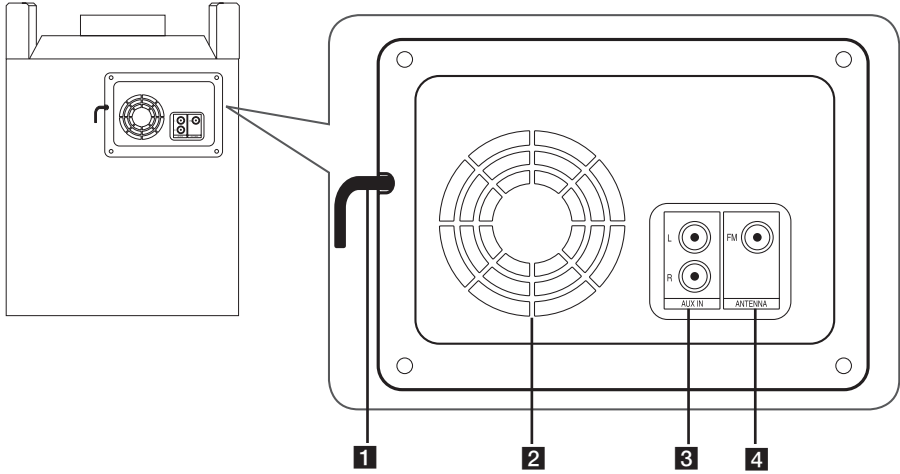
- Selects a X-FLASH mode.

- Confirms the setting.

## Rear panel

1

Getting Started



- 1** Power cord
- 2** Vent Hole
- 3** AUX IN connectors (L/R)
- 4** ANTENNA (FM)

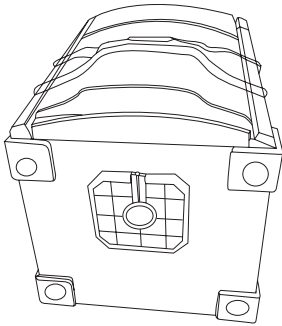
## Use of Tripod

You can mount the unit on a tripod.  
The tripod is optional purchase.

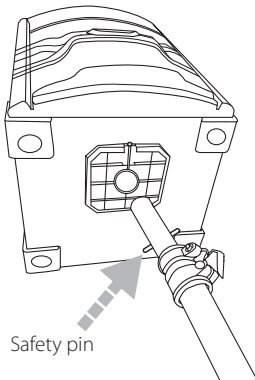
### Caution

- Extend the tripod legs as much as possible and tighten up the screw securely.
- Before connecting with the unit, you must fix a tripod hard for not shaking.

1. Put down the unit to connect with the tripod.



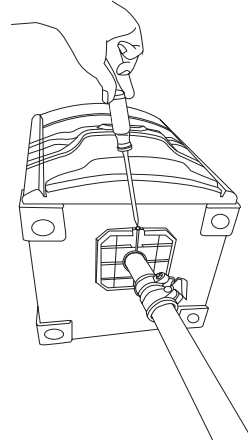
2. After setting the tripod, insert a top of a recommended tripod to a hole underneath the unit.



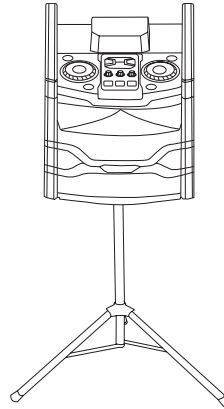
### Caution

Use the safety pin for fixing center column all the time.

3. Fix the unit to the tripod with the screw.  
Tighten up the screw underneath the unit.



4. Make the tripod stand upright carefully.  
When you make the tripod stand upright, you hold a body of the unit for avoiding unit's toppling.

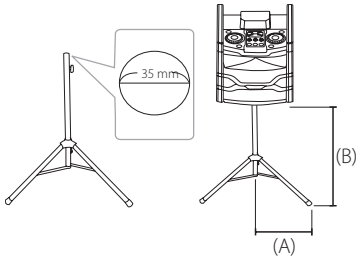


1

Getting Started

**Note**

- If you use a tripod, use the tripod only for speaker.
- Before buying a tripod, check the specifications for maximum bearing load of the center column.  
(Unit's net weight : about 16.5 kg)



- Use tripod as below :
  - (A) From tripod's center to tripod's leg : above 530 mm
  - (B) From top of tripod to bottom of tripod : below 780 mm
  - (C) Tripod net weight : over 2.5 kg
- Use a tripod as low as possible for safety use.
- You should pull the center column to the maximum only in case of need.
- Mount only one unit on each tripod.
- Do not try to extent the tripod legs outside over its allowed range.
- Make sure the tripod is correctly assembled and all its components are tightly connected.
- Do not try to assemble the tripod if parts are missing or defective.
- After installation, check whether the unit is fixed firmly on the tripod or not.
- Do not place the unit on an unstable position where it might accidentally fall over.
- Add weight such as sand bags around the tripod legs to prevent them from falling over.

**Note**

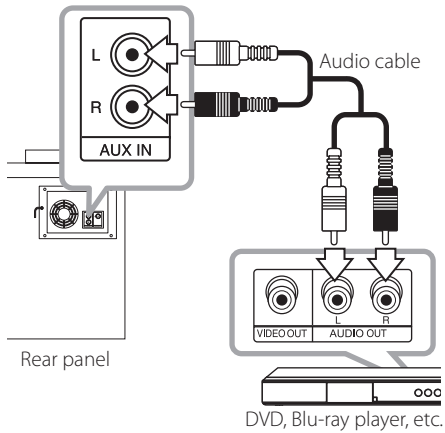
- You should limit people around the unit while using this unit with tripod. Otherwise it may result in malfunction and causing personal injury or property damage.
- Standing on the stool to reach unit control panel is risky and might lead to injuries.
- Do not put or attach other objects on the tripod.
- Do not shake or push the unit when the tripod is installed.
- Refrain from moving around the tripod after unit is installed.
- Remove the units from all connected cables of the tripods before moving the tripods or adjusting their height.
- When transporting or moving the unit, always use two or more people.
- When you use the tripod, use an extension cord. Always be careful the movement of cable.
- It is prohibited to use this unit outside. (Indoor use only)
- Do not expose the unit to excessive dust or vibrations, or extreme cold or heat (such as in direct sunlight, near a heater) to prevent the possibility of panel disfiguration or damage to the internal components.
- When using the external input cable (Mic, etc.) after installing the unit on the tripod, external input cable can cause the unit to fall down.
- Watch out the people can trip over the input cable (Mic, etc.) connected the unit.
- Always be careful of the unit being tripped.

## Optional Equipment Connection

### AUX IN Connection

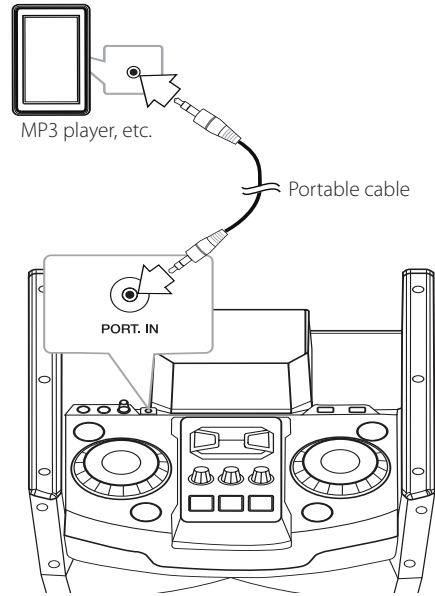
Connect an output of auxiliary device (Camcorder, TV, Player, etc.) to the **AUX IN** (L/R) connector.

If your device has only one output for audio (mono), connect it to the left (white) audio jack on the unit.



### PORT. IN Connection

Connect an output (earphone or line out) of portable device (MP3 or PMP, etc.) to the **PORT. IN** connector.



### Listening to music from your portable player or external device

The unit can be used to play the music from many types of portable player or external device.

1. Connect the portable player to the PORT. IN connector of the unit.

Or

Connect the external device to the AUX IN connector of the unit.

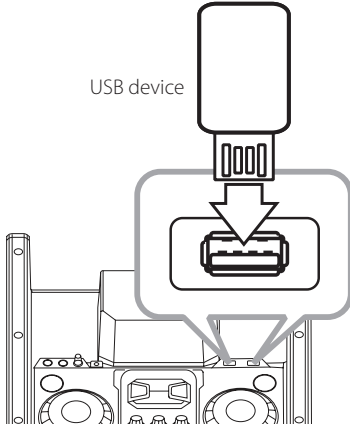
2. Turn the power on by pressing on the remote control or on the unit.
3. Select the PORTABLE or AUX function by pressing **FUNCTION**.
4. Turn on the portable player or external device and start it playing.

#### Note

If it is get over input than the input spec (Refer to page 32), the unit might be off automatically to protect itself.

## USB Connection

Connect a USB device (or MP3 player, etc.) to the USB ports on the unit.



### ! Note

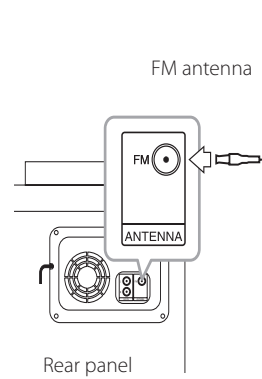
Removing the USB device from the unit :

1. Choose a different function/mode or press **ENTER** on the remote control or **ENTER** on the unit twice in a row.
2. Remove the USB device from the unit.

## Antenna Connection

Connect the supplied FM antenna for listening to the radio.

Connect the FM wire antenna to the FM antenna connector.



### ! Note

Be sure to fully extend the FM wire antenna.



# Basic Operations

1. Connect the USB device to the USB port.
2. Select the USB function by pressing **FUNCTION** on the remote control or on the unit.

To	Do this
Stop	Press <b>ENTER</b> on the remote control or <b>□</b> on the unit.
Playback	Press <b>▶/  </b> on the remote control or <b>&gt;  </b> on the unit.
Pause	Press <b>▶/  </b> on the remote control or <b>&gt;  </b> on the unit during playback.
Searching for a section within a file	Press <b>◀◀/▶▶</b> on the remote control or <b>  ◀◀/▶▶  </b> on the unit during playback and release it at the point you want to listen to.
Selecting a file directly	Press <b>0</b> to <b>9</b> numerical buttons on the remote control to go to the desired file directly.
Skipping to the next/previous file	During playback, (1) By using <b>◀◀/▶▶</b> buttons : Press <b>◀◀/▶▶</b> to go to the next file or to return to the beginning of the current file. Press <b>◀◀</b> twice briefly to step back to the previous file. (2) By using <b>FILE SEARCH</b> knob : Rotate <b>FILE SEARCH</b> and press <b>▶/  </b> to play the file.
Playing repeatedly or randomly	Press <b>REPEAT(MENU)</b> on the remote control or <b>REPEAT</b> on the unit repeatedly, the display will be changed in the following order. RPT1 -> RPT DIR -> RPT ALL -> RANDOM -> OFF *DIR : Directory

### ! Note

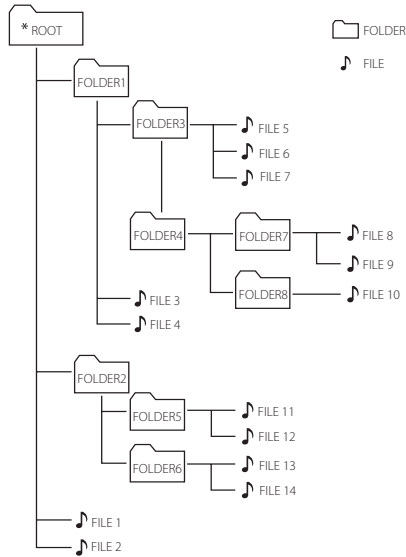
- When you play Program list, only RPT 1 and RPT ALL are available.
- Even after restarting the unit or switching one function to another, you can listen to music from the point where it's last been played.

# Searching for a folder

1. Press **PRESET-FOLDER** **Λ/V** on the remote control repeatedly until a desired folder appears in the display window.
2. Press **▶/||** to play it. The first file of the folder will be played.

### ! Note

- USB Folders/Files are recognized as below.



- If there is no file in a folder, the folder will not appear.
- Folders will be presented as the following order;  
 ROOT → FOLDER 1 → FOLDER 3 → FOLDER 7 → FOLDER 8 → FOLDER 5 → FOLDER 6
- File will be played from **FILE No.1** to **FILE No.14** one by one.
- \*ROOT : The first screen you can see when a computer recognize the USB is "ROOT".

## Deleting an MP3/WMA file

You can delete file, folder or format by pressing **DELETE**. This function is supported only in stop status. (USB only)

1. Select the file you want to delete and press **DELETE** on the remote control.  
Press and hold **DELETE** to format the USB device.

Or

Press **DELETE** repeatedly during selecting the MP3/WMA file.

The display changes in the following order.

- DEL FILE : Deletes file
- DEL DIR : Deletes folder
- FORMAT : Formats USB

2. To delete file/folder or format, press **▶/||** on the remote control or press **>||** on the unit.
3. If you want to exit the current mode, press **■ ENTER** on the remote control or press **□** on the unit.

### ⚠ Caution

- Do not extract the USB device during operation. (play, delete, etc.)
- Regular back up is recommended to prevent data loss.
- The delete function may not be supported according to the USB status. (lock etc.)

## AUTO DJ playback

Auto DJ blends the end of one song into the beginning of another for seamless playback. It equalizes volume across files for uninterrupted playback.

Press **AUTO DJ** on the remote control or unit repeatedly, the display changes as followings.  
RANDOM (AUTO DJ RANDOM) -> REPEAT ALL (AUTO DJ SEQUENTIAL) -> (AUTO DJ OFF)

Mode	Display Window	Description
OFF	- (AUTO DJ OFF)	-
RANDOM	RANDOM (AUTO DJ RANDOM)	The music is played randomly on this mode.
REPEAT	RPT (AUTO DJ SEQUENTIAL)	The music is played repeatedly on this mode.

### ! Note

- It is not supported on the AUTO DJ mode to search for a section within a file or to play repeatedly or randomly.
- If you move to other functions or stop the music using **□** on the unit (or **■ ENTER** on the remote control) on AUTO DJ mode, AUTO DJ function will be disable.
- AUTO DJ function is not supported in the music file whose length is less than 60 seconds.
- Only AUTO DJ SEQUENTIAL is selected when played Program list.

## Programmed Playback

The Program function enables you to make a playlist of your favourite files from the USB device. A playlist of up to 20 files can be entered for each media. (USB1,USB2) Possible to save a total of 40 files.

1. Press **PROGRAM/MEMORY** on the remote control in stop status.
2. Press **◀◀/▶▶** on the remote control to select a file.
3. Press **PROGRAM/MEMORY** to save and select a next file.
4. Repeat steps 2-3 to store other files. (You can modify the list by pressing **PRESET-FOLDER ▲/▼** to select the program number.)
5. Press **PROGRAM/MEMORY** once again.

To play the programmed list, press **▶/||** after you make the list.

### ! Note

When making or modifying the programmed list, REPEAT mode is off.

## Deleting Programmed list

Deleting function is worked only on the edit mode.

1. Press **PROGRAM/MEMORY** on the remote control in stop status.
2. Select a song by pressing **PROGRAM/MEMORY** or **PRESET-FOLDER ▲/▼** repeatedly.
3. Press **DELETE** while a song is selected.

### ! Note

- Programmed list is cleared in the case below.
  - Removing the USB device.
  - Deleting music files in the USB device.
- Program is switched off in the case below.
  - Changing the function to the others.
  - Turning off and on the unit.
  - Operating the numeric buttons on the remote control.

## LG Sound Sync



You can control some functions of this unit by your TV's remote control with LG Sound Sync. It is compatible with the LG TV that is supported LG Sound Sync. Make sure of the LG Sound Sync logo on your TV.

Controllable function by LG TV's remote control :  
Volume up/down, mute

Refer to the TV's instruction manual for the details of LG Sound Sync.

Make one of the following connections, depending on the capabilities of your equipment.

### ! Note

- You can also use the remote control of this unit while using LG Sound Sync. If you use TV's remote control again, the unit synchronizes with the TV.
- When the connections failed, make sure of the condition of the TV and power of it.
- Make sure of the condition of this unit and the connection in the cases below when using LG Sound Sync.
  - Turned off the unit.
  - Changing the function to the others.
  - Disconnecting the wireless connection caused by interference or a distance.
- The amount of time to turn off this unit is different depending on your TV.
- If you try to change the function on using the LG TV function, volume will be change according to the LG TV volume level.
- The device with Bluetooth® wireless technology will be disconnected after a certain period of time, if Sound Sync function is selected. "LG Bluetooth Remote" app you've already connected is disconnected either.

## With wireless connection

1. Turn on the unit by pressing (Power) on the remote control.
2. Select LG TV function by using **FUNCTION** on the remote control until the function is selected.
3. Set up the sound output of TV to listen to the sound through this unit :  
TV setting menu → [Sound] → [TV Sound output] → [LG Sound Sync (Wireless)]

"PAIRED" appears on the display window for about 3 seconds and then you can see "LG TV" on the display window if connecting normally between this unit and your TV.

## AUTO POWER On

This unit automatically turns on by an input source :  
LG TV or Bluetooth

If you try to connect your Bluetooth device, this unit turns on and connect your Bluetooth device. You can play your music.

### ! Note

- Depending on the connected device, this function may not operate.
- Depending on the connected device, the unit turns on but Bluetooth function may not connected.
- If you disconnect Bluetooth connection by this unit, some Bluetooth devices try to connect to the unit continually. Therefore it is recommended to disconnect the connection before turning off the unit.
- If you try to connect to the "LG Bluetooth Remote" app, Bluetooth function of this unit is turned on.  
(It also includes the connection to the "LG Bluetooth Remote" app via NFC.)
- If you turn on the unit using LG TV or Bluetooth function, proper function of this unit is turned on.

## Auto function change

This unit recognizes the connection to the Bluetooth or to the "LG Bluetooth Remote" app via NFC and changes suitable function automatically.

### ! Note

- If you are using LG TV function, this unit does not react to the Bluetooth connection.
- On the USB delete function, if you try to connect Bluetooth/ \* NFC, USB delete function does not support Auto function change.
- If the unit is not paired with Bluetooth, it does not support Auto function change. (Except \* NFC)
- On the ready status of LG TV connection, if Bluetooth device connect to the "LG Bluetooth Remote" app directly, the unit change to the Bluetooth function.
- \* NFC : Connection to the "LG Bluetooth Remote" app via NFC.

## Using a Bluetooth wireless technology

### About Bluetooth

**Bluetooth®** is wireless communication technology for short range connection.

The sound may be interrupted when the connection interfered by the other electronic wave or you connect the bluetooth in the other rooms. Connecting individual devices under **Bluetooth®** wireless technology does not incur any charges. A mobile phone with **Bluetooth®** wireless technology can be operated via the Cascade if the connection was made via **Bluetooth®** wireless technology. Available Devices : Mobile phone, MP3, Laptop, PDA.

### Bluetooth Profiles

In order to use **Bluetooth®** wireless technology, devices must be able to interpret certain profiles. This unit is compatible with following profile.

A2DP (Advanced Audio Distribution Profile)

## Listening to music stored on the Bluetooth devices

Before you start the pairing procedure, make sure the Bluetooth feature is turned on in your Bluetooth device. Refer to your Bluetooth device's user guide. Once a pairing operation is performed, it does not need to be performed again.

1. Select the Bluetooth function by using the **FUNCTION**.  
"BT READY" appears on the display window.
2. Operate the Bluetooth device and perform the pairing operation. When searching for this unit with the Bluetooth device, a list of the devices found may appear in the Bluetooth device display depending on the type of Bluetooth device. Your unit appears as "LG MINI(XX:XX)".

### ! Note

XX:XX means the last four digits of BT address. For example, if your unit has a BT address such as 9C:02:98:4A:F7:08, you will see "LG MINI(F7:08)" on your Bluetooth device.

3. Enter the PIN code.  
PIN code : 0000
4. When this unit is successfully connected with your Bluetooth device, "BT PAIR" will appear on the display window and bluetooth indicator will be lit up.

### ! Note

Depending on the Bluetooth device type, some device have a different pairing way.

5. Listen to music.  
To play a music stored on your Bluetooth device, refer to your Bluetooth device's user guide. According to your mobile phone's volume level, the volume level of Bluetooth will be adjusted.

### ! Note

- Sound from the main set can be distorted if you raise the volume of Bluetooth device up to two-thirds or more.
- When you use the bluetooth function, adjust the volume of a bluetooth device to a proper level to listen to.

### ! Note

- When using *Bluetooth*® technology, you have to make a connection between the unit and the bluetooth device as close as possible and keep the distance. However it may not work well in the case below :
  - There is a obstacle between the unit and the bluetooth device.
  - There is a device using same frequency with *Bluetooth*® technology such as a medical equipment, a microwave or a wireless LAN device.
- You should connect your Bluetooth device to this unit again when you restart it.
- The sound may be interrupted when the connection interfered by the other electronic wave.
- You cannot control the Bluetooth device with this unit.
- Pairing is limited one Bluetooth device per one unit and multi-pairing is not supported.
- Depending on the type of the device, you may not be able to use the Bluetooth function.
- You can enjoy wireless system using phone, MP3, Notebook, etc.
- When not connected the Bluetooth, "BT" and "BT READY" appears on the control panel.
- When someone stands and interrupts communication between Bluetooth device and the player, the connection will be disconnected.
- The more distant between the unit and the bluetooth device, the lower the sound quality becomes.
- When Bluetooth connection is disconnected, connect the bluetooth device to the unit again.

## Using Bluetooth App

### ! Note

Only Android OS is available to use "LG Bluetooth remote" app with this unit.

### About "LG Bluetooth Remote" App

"LG Bluetooth Remote" app brings a suite of new features to this unit.

To enjoy more features, you are recommended to download and install free "LG Bluetooth Remote" app.

### Install "LG Bluetooth Remote" App onto Your Bluetooth Device

1. Install "LG Bluetooth Remote" app through QR code. Use the scanning software to scan the QR code.



(Android OS)

2. Tap an icon for installation.
3. Tap an icon for downloading.

### ! Note

- Make sure that your Bluetooth device is connected to the Internet.
- Make sure that your Bluetooth device has a scanning software application. If you don't have one, download one from "Google Android Market. (Google Play Store)"

### Install "LG Bluetooth Remote" App through "Google Android Market (Google Play Store)"

1. Tap the "Google Android Market (Google Play Store)" icon.
2. In the search bar, type in the "LG Bluetooth Remote" and search it.
3. In the search result list, find and tap "LG Bluetooth Remote" to start downloading Bluetooth app.
4. Tap an icon for installation.
5. Tap an icon for downloading.

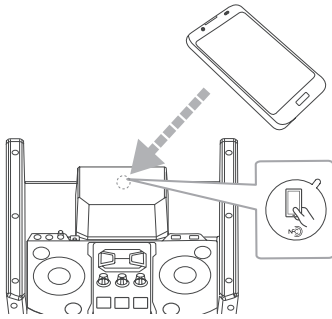
### ! Note

- Make sure that your Bluetooth device is connected to the Internet.
- Make sure that your Bluetooth device is equipped with "Google Android Market (Google Play Store)".

## Install "LG Bluetooth Remote" App through NFC

NFC allows you to install and open "LG Bluetooth Remote" app to NFC-enabled phone.

1. Activates the NFC feature of your NFC-enabled phone.
2. Turn on the unit.
3. Tag the back of your NFC-enabled phone over the unit.



- If "LG Bluetooth Remote" app is not installed on your NFC-enabled phone, the linked screen with "LG Bluetooth Remote" app is displayed.

### Note

- You must activate the NFC feature of your NFC-enabled phone.
- If your NFC-enabled phone's screen is locked, it will not read the NFC.
- If your smart phone case is plated with chrome, NFC is unavailable. Depending on your case's material or thickness, NFC may not be read well.
- If "LG Bluetooth Remote" app is already installed in your NFC-enabled phone, it will display the screen for choosing to activate "LG Bluetooth Remote" app.
- After tagging, it automatically connect to the "LG Bluetooth Remote" app and then change to the Bluetooth function.

## Activate Bluetooth with "LG Bluetooth Remote" App

"LG Bluetooth Remote" app helps to connect your bluetooth device to this unit.

1. Tap "LG Bluetooth Remote" app icon on the home screen to open "LG Bluetooth Remote" app and go to the main menu.
2. Tap [Setting] and select the unit you want.
3. If you want to get more information to operate, tap [Setting] and [Help].

### Note

- BT app will be available in the software version as follow;  
- Android O/S : Ver 2.3.3 (or later)
- This unit does not support the multi-pairing. If this unit is already connected with other Bluetooth device, disconnect that device and then try again.
- If you use "LG Bluetooth Remote" app for operation, there would be some differences between "LG Bluetooth Remote" app and the supplied remote control. Use the supplied remote control as necessary.
- Depending on the Bluetooth device, "LG Bluetooth Remote" app may not work.
- The connection you've made may be disconnected if you select other application or change the setting of the connected device via "LG Bluetooth Remote" app. In such a case, please check the connection status.
- After connection of Bluetooth app, music may be output from your device. In this case, try connecting procedure again.



## Radio Operations

Be sure that FM antenna is connected. (Refer to the page 16)

### Listening to the radio

1. Press **FUNCTION** until FM appears in the display window.  
The last received station is tuned in.

2. Auto tuning :  
Press and hold **TUNING-/+** on the remote control or **|<</>>|** on the unit for about two seconds until the frequency indication starts to change, then release. Scanning stops when the unit tunes in a station.

Or

Manual tuning :

Press **TUNING-/+** on the remote control or **|<</>>|** on the unit repeatedly.

3. Adjust the volume by rotating volume knob on the unit or by pressing **VOL +/-** on the remote control repeatedly.

### Improving poor FM reception

Adjust the antenna to improve the reception when the radio has poor reception.

### Presetting the Radio Stations

You can preset 50 stations for FM.

Before tuning, make sure to turn down the volume.


1. Press **FUNCTION** until FM appears in the display window.
2. Press **TUNING-/+** on the remote control or **|<</>>|** on the unit to select a desired frequency.
3. Press **PROGRAM/MEMORY**. A preset number will blink in the display window.
4. Press **PRESET-FOLDER ^/V** to select the preset number you want.
5. Press **PROGRAM/MEMORY**. The station is stored.
6. Repeat steps 2 to 5 to store other stations.
7. To listen a preset station, press **PRESET-FOLDER ^/V** or **0** to **9** numerical buttons.

### Deleting all the saved stations

1. Press and hold **PROGRAM/MEMORY** for two seconds.  
"ERASEALL" will flash up on the unit display.
2. Press **PROGRAM/MEMORY** to erase all the saved radio stations.

## Other Operations

### Turn off the sound temporarily

Press **MUTE**  on the remote control to mute your sound.

You can mute your unit, for example, to answer the telephone, the "MUTE" will appear in the display window.

To cancel it, press **MUTE**  again or change the volume level.

### Displaying file information (ID3 TAG)

While playing an MP3 file containing file information, you can display the information by pressing **INFO**.

### DEMO

In the power off state, it demonstrates the function on display window and a display by pressing **USER EQ/DEMO**.

To cancel the DEMO, press it again.

#### Note

- While DEMO, this unit will keep DEMO status even if you unplug the power cord connection.
- You can enjoy other functions during the DEMO. Then the DEMO will pause to temporary.
  - Without input key in 10 sec, the DEMO will play back automatically.

## Using Microphone

It is available on the function as follows : USB, Bluetooth, AUX, Portable-In, FM, LG TV.

1. Connect your microphone to the MIC jack.
2. Play the music you want.
3. Sing along with the accompaniment. Adjust the microphone volume by rotating **MIC VOL.** clockwise or unclockwise on the unit.

#### Note

- When not using the microphone, set the **MIC VOL.** to minimum or turn off the MIC and remove the microphone from the MIC jack.
- If the microphone is set too near the speaker, a howling sound may be produced. In this case, move the microphone away from the speaker or decrease the sound level by using the **MIC VOL.**
- If sound through the microphone is extremely loud, it may be distorted. In this case, rotate **MIC VOL.** to minimum.

## Switching on and off the speaker light

You can select various types of the speaker light by pressing **X-FLASH/SET** on the unit.

Press **X-FLASH/SET** on the unit repeatedly, the speaker lightening changes as followings. Red LED Lighting -> Red LED Off, White LED Blinking -> Red LED Lighting, White LED Blinking -> OFF

Step	Lighting	Description
OFF	-	-
Step1	Red LED Lighting, White LED Off	Depending on the beat, the Red LED is blinking.
Step2	Red LED Off, White LED Blinking	Regardless of the beat, the White LED is blinking.
Step3	Red LED Lighting, White LED Blinking	Depending on the beat, the Red LED is blinking. Regardless of the beat, the White LED is blinking.

### ! Note

- The RED LED may not work properly according to Low Input level or connected external device. (Low Volume, Device Type, Play sound source, connection mode, etc.)
- The RED LED is the LED lights up only during operation. (playback, USB playback, Radio Listening and other external input)

# Sound adjustment

## Setting the surround mode

This system has a number of pre-set surround sound fields. You can select a sound mode you want by using **SOUND EFFECT** on the remote control.

The displayed items for the Equalizer may be different depending on sound sources and effects.

On Display	Description
NATURAL	You can enjoy comfortable and natural sound.
Local Specialization equalizer (Optional)	Regionally optimized sound effect. (FORRO/FUNK/ SERTANEJO/DANGDUT/ARABIC/ PERSIAN/INDIA/REGUETON/ MERENGUE/SALSA/SAMBA/ CUMBIA/AFRO)
AUTO EQ	Realizes the sound equalizer that is the most similar to the genre of which is included in the MP3 ID3 tag of song files.
POP CLASSIC JAZZ ROCK	This program lends an enthusiastic atmosphere to the sound, giving you the feeling you are at an actual pop, classic, jazz or rock concert.
MP3 - OPT	This function is optimized for compressible MP3 file. It improves the treble sound.
BASS BLAST	Reinforces the treble, bass and surround sound effect.
LOUDNESS	Improves the bass and treble sound.
FOOT BALL	This program lends an atmosphere to the sound, giving you the feeling you are in football stadium.
FLAT	You can enjoy neutral sound and give the impression that all the section is flat.

On Display	Description
BOOST	Reinforce the middle register. It seems to boost the overall sound.
TREBLE/BASS (TRE/BASS)	Emphasize low pitch sound and high pitch sound.
BYPASS	You can enjoy the sound without equalizer effect.

### ! Note

- On some speakers, sound may not be heard or heard in low sound depending on the sound mode.
- By pressing **BASS BLAST** on the unit you can directly select the **BYPASS** or **BASS BLAST** sound.

## Setting the USER EQ

You can listen to music with equalizer by adjusting the sound level yourself.

1. Press **USER EQ/DEMO**. "USER EQ" is displayed.
2. Turn the **BASS**, **MIDDLE** and **TREBLE** knobs to adjust the sound level.
3. To finish the setting, press **X-FLASH/SET** on the unit.

### ! Note

Turning the knobs clockwise increases the level, counterclockwise decreases the level.

## Setting the Clock

1. Turn the unit on.
2. Press and hold **CLOCK**.
3. Select time mode by pressing **◀◀/▶▶** on the remote control.
  - AM 12:00 (for an AM and PM display) or 0:00 (for a 24 hour display)
4. Press **SET** to confirm your selection.
5. Select the hours by pressing **◀◀/▶▶** on the remote control.
6. Press **SET**.
7. Select the minutes by pressing **◀◀/▶▶** on the remote control.
8. Press **SET**.

## Setting the Clock through "LG Bluetooth Remote" App

Install "LG Bluetooth Remote" app on your Android device. (see page 23 - 24)

Your unit's clock will be automatically synchronized with your device by activating Bluetooth connection through "LG Bluetooth Remote" app.

## Using your player as an alarm clock

1. Turn the unit on.
2. Press and hold **ALARM**.
3. Press **◀◀/▶▶** on the remote control to change the hours and minutes and press **SET** to save.
4. Press **◀◀/▶▶** on the remote control to select function and press **SET** to save.
5. Press **◀◀/▶▶** on the remote control to change the volume and press **SET** to save. The clock icon "⌚" shows that the alarm.

### ! Note

- If you set the clock time, you can check the time by pressing **CLOCK** even when the player is turned off.
- If you set the clock time and alarm, you can check the alarm icon "⌚" by pressing **CLOCK** even when the player is turned off.
- If you set the clock time and alarm, you can check the alarm icon "⌚" and setting information by pressing **ALARM** even when the unit is turned off.
- Press **ALARM**, you can select a **ALARM** on mode.
- After plug or unplug the power cord, it may need a certain period of time to operate the unit smoothly.

## Sleep Timer Setting

Press **SLEEP** repeatedly to select delay time between 10 and 180 minutes. After the delay time, the unit will be turned off.

To cancel the sleep function, press **SLEEP** repeatedly until "SLEEP 10" appears, and then press **SLEEP** once again while "SLEEP 10" is displayed.

### Note

- You can check the remaining time before the unit is turned off.
- Press **SLEEP**. The remaining time appears in the display window.

3

Operating

## Dimmer

Press **SLEEP** once. The display window will be darkened by half. To cancel it, press **SLEEP** repeatedly until dim off.

## Auto power down


This unit will turn off itself to save electric consumption in the case were main unit is not connected to external device and is not used for 20 minutes.

So does this unit after six hours since Main unit has been connected to other device using analogue input.

# Troubleshooting

Problem	Cause & Solution
No Power.	<ul style="list-style-type: none"> <li>The power cord is not plugged in. Plug in the power cord.</li> <li>Check whether electricity failed. Check the condition by operating other electronic devices.</li> </ul>
No sound.	<ul style="list-style-type: none"> <li>Check whether you select right function. Press <b>FUNCTION</b> and check the selected function.</li> </ul>
The unit does not work properly.	<ul style="list-style-type: none"> <li>Turn off the power of this unit and the connected external device (TV, Woofer, DVD-player, Amplifier, etc.) and turn it on again.</li> <li>Disconnect the power cord of this unit and the connected external device (TV, Woofer, DVD-player, Amplifier, etc.) and then try connecting again.</li> </ul>
Radio stations cannot be tuned in properly.	<ul style="list-style-type: none"> <li>The antenna is positioned or connected poorly. Connect the antenna securely.</li> <li>The signal strength of the radio station is too weak. Tune to the station manually.</li> <li>No stations have been preset or preset stations have been cleared. (When tuning by scanning preset channels) Preset some radio stations, see page 25 for details.</li> </ul>
The remote control does not work properly.	<ul style="list-style-type: none"> <li>The remote control is too far from the unit. Operate the remote control within about 23 ft (7 m).</li> <li>There is an obstacle in the path of the remote control and the unit. Remove the obstacle.</li> <li>The batteries in the remote control are exhausted. Replace the batteries with new ones.</li> </ul>
No speaker light	<ul style="list-style-type: none"> <li>Check the speaker light effects by pressing <b>X-FLASH/SET</b>.</li> </ul>
LG Sound Sync does not work.	<ul style="list-style-type: none"> <li>Check whether your LG TV supports LG Sound Sync.</li> <li>Check connection of LG Sound Sync.</li> <li>Check sound setting of your TV and this unit.</li> </ul>

## General specifications

General	
Power requirements	Refer to the main label.
Power consumption	Refer to the main label.
Dimensions (W x H x D)	395.5 mm x 548 mm x 446 mm
Net Weight (Approx.)	16.5 kg
Operating temperature	5 °C to 35 °C (41 °F to 95 °F)
Operating humidity	5 % to 90 %
Bus Power Supply (USB)	5 V  500 mA

Inputs	
AUX IN	1.2 Vrms (1 kHz, 0 dB, 600 Ω, RCA jack, L/R)
PORT. IN	0.8 Vrms (3.5 Ø jack)
Mic	25 mV

Tuner	
FM Tuning Range	87.5 to 108.0 MHz or 87.50 to 108.00 MHz

Amplifier	
Total	500 W
Front	Mono 500 W (at 1 kHz, 3 Ω)
THD	20 %

- Design and specifications are subject to change without notice.



## Maintenance

### Handling the Unit

#### When shipping the unit

Please save the original shipping carton and packing materials. If you need to ship the unit, for maximum protection, re-pack the unit as it was originally packed at the factory.

#### Keeping the exterior surfaces clean

Do not use volatile liquids such as insecticide spray near the unit. Wiping with strong pressure may damage the surface. Do not leave rubber or plastic products in contact with the unit for a long period of time.

#### Cleaning the unit

To clean the player, use a soft, dry cloth. If the surfaces are extremely dirty, use a soft cloth lightly moistened with a mild detergent solution. Do not use strong solvents such as alcohol, benzene, or thinner, as these might damage the surface of the unit.

## Trademarks and Licenses



*Bluetooth*® wireless technology is a system which allows radio contact between electronic devices.



Connecting individual devices under *Bluetooth*® wireless technology does not incur any charges. A mobile phone with *Bluetooth*® wireless technology can be operated via the Cascade if the connection was made via *Bluetooth*® wireless technology.

The *Bluetooth*® word mark and logos are owned by the *Bluetooth*® SIG, Inc. and any use of such marks by LG Electronics is under license.

Other trademarks and trade names are those of their respective owners.

	Телефон	Режим работы	Интернет
Россия	8-800-200-7676	Круглосуточно	<a href="http://www.lg.com">http://www.lg.com</a>
Беларусь	8-820-0071-1111		
Латвия	8-0200-201	9:00 - 17:00 (Пн.-Пт.)	
Литва	8-800-08-081		
Эстония	800-9990		
Україна	0-800-303-000	8:00 - 21:00 (Пон.-П'ят.) 8:30 - 18:30 (Суб., Нд.)	
Қазақстан	8-8000-805-805	9:00-20:00 (Пн.-Пят.) 9:00-18:00 (Суб., Вс.)	
	2255 (GSM)		
Ўзбекистан	8 800 120 2222	9:00 - 18:30 (Пн.-Пят.) 9:00 - 15:00 (Суб., Вс.)	
Қырғызстан	800 0071 0005	Круглосуточно	
Молдова	00-800-0071-0005 (Тольды для стационарлық телефонға)	Круглосуточно	



	<p>Символ «не для пищевой продукции» применяется в соответствии с техническим регламентом Таможенного союза «О безопасности упаковки» 005/2011 и указывает на то, что упаковка данного продукта не предназначена для повторного использования и подлежит утилизации. Упаковку данного продукта запрещается использовать для хранения пищевой продукции.</p>	<p>Символ Көдендік одақтың 005/2011 техникалық регламентіне сәйкес қолданылады және осы өнімнің қаптамасын екінші рет пайдалануға арналмағанын және жоюға жататынын көрсетеді. Осы өнімнің қаптамасын азық-түлік өнімдерін сақтау үшін пайдалануға тыйым салынады.</p>
	<p>Символ «петля Мебиуса» указывает на возможность утилизации упаковки. Символ может быть дополнен обозначением материала упаковки в виде цифрового и/или буквенного обозначения.</p>	<p>Символ қаптаманы жою мүмкіндігін көрсетеді. Символ сандық код және/немесе әріп белгілері түріндегі қаптама материалының белгісін толықтырылуы мүмкін.</p>

### Российская Федерация

Импортер ООО «ЛГ Электроникс Рус»

Адрес импортера: 143160 Российская Федерация, Московская область, Рузский район, сельское поселение Дороховское, 86 км. Минского шоссе, д.9

Адрес производителя: Хуанг Истерн Азия Электроникс Ко. Лтд  
516226, Китай, провинция Гуанг Донг, район Донг Фонг Хуанг, город Хин Ху

Сделано в Китае

### Україна

Найменування та адреса імпортера

ПІІ «ЛГ ЕЛЕКТРОНІКС Україна» вул. Басейна, 6, м. Київ, 01004,  
Тел 044 201-43-50

### Қазақстан Республикасы

Импорттаушы АҚ «ЭЛ Джи Электроникс Алматы Қазақстан», 050061, Алматы қ., к. Көкөрай, 2А

Өндірушінің мекенжайы: Хуанг Истерн Азия Электроникс ҚШЖ  
516226, Қытай, Гуанг Донг шет аймағы, Донг Хуанг ауданы, Хин Ху қаласы

Қазақстан Республикасы территориясында тұтынушылардан келіп түскен талаптар мен ұсыныстарды қарайтын және тауарды жөндеу мен техникалық қызмет көрсететін ұжым:

АҚ «Эл Джи Электроникс Алматы Қазақстан», 050061, Қазақстан Республикасы, Алматы қ., Көкөрай, 2А. Басқа сервис орталықтары жайында мағлұматты «Тұтынушыға қызмет көрсету орталығына» телефон шалу арқылы білуге болады.

Қытайда жасалған