



ENGLISH

OWNER'S MANUAL

STYLISH  
POWERFUL  
PORTABLE  
BOOM BOX

Please read this manual carefully before operating your set and retain it for future reference.

SB159ST



MFL68664504

[www.lg.com](http://www.lg.com)

## Safety Information



**CAUTION:** TO REDUCE THE RISK OF ELECTRIC SHOCK DO NOT REMOVE COVER (OR BACK) NO USER-SERVICEABLE PARTS INSIDE REFER SERVICING TO QUALIFIED SERVICE PERSONNEL.



This lightning flash with arrowhead symbol within an equilateral triangle is intended to alert the user to the presence of uninsulated dangerous voltage within the product's enclosure that may be of sufficient magnitude to constitute a risk of electric shock to persons.



The exclamation point within an equilateral triangle is intended to alert the user to the presence of important operating and maintenance (servicing) instructions in the literature accompanying the product.

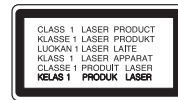
**WARNING:** TO PREVENT FIRE OR ELECTRIC SHOCK HAZARD, DO NOT EXPOSE THIS PRODUCT TO RAIN OR MOISTURE.

**WARNING:** Do not install this equipment in a confined space such as a book case or similar unit.

**CAUTION:** Do not block any ventilation openings. Install in accordance with the manufacturer's instructions.

Slots and openings in the cabinet are provided for ventilation and to ensure reliable operation of the product and to protect it from over heating. The openings shall never be blocked by placing the product on a bed, sofa, rug or other similar surface. This product shall not be placed in a built-in installation such as a bookcase or rack unless proper ventilation is provided or the manufacturer's instruction has been adhered to.

The main label is attached on the exterior of the bottom of the apparatus.



**CAUTION:** This product employs a Laser System. To ensure proper use of this product, please read this owner's manual carefully and retain it for future reference. Shall the unit require maintenance, contact an authorized service center. Use of controls, adjustments or the performance of procedures other than those specified herein may result in hazardous radiation exposure. To prevent direct exposure to laser beam, do not try to open the enclosure. Visible laser radiation when open. DO NOT STARE INTO BEAM.

**CAUTION concerning the Power Cord**

Most appliances recommend they be placed upon a dedicated circuit;

That is, a single outlet circuit which powers only that appliance and has no additional outlets or branch circuits. Check the specification page of this owner's manual to be certain. Do not overload wall outlets. Overloaded wall outlets, loose or damaged wall outlets, extension cords, frayed power cords, or damaged or cracked wire insulation are dangerous. Any of these conditions could result in electric shock or fire. Periodically examine the cord of your appliance, and if its appearance indicates damage or deterioration, unplug it, discontinue use of the appliance, and have the cord replaced with an exact replacement part by an authorized service center. Protect the power cord from physical or mechanical abuse, such as being twisted, kinked, pinched, closed in a door, or walked upon. Pay particular attention to plugs, wall outlets, and the point where the cord exits the appliance. To disconnect power from the mains, pull out the mains cord plug. When installing the product, ensure that the plug is easily accessible.

This device is equipped with a portable battery or accumulator.

**Safety way to remove the battery or the battery from the equipment:** Remove the old battery or battery pack, follow the steps in reverse order than the assembly. To prevent contamination of the environment and bring on possible threat to human and animal health, the old battery or the battery put it in the appropriate container at designated collection points. Do not dispose of batteries or battery together with other waste. It is recommended that you use local, free reimbursement systems batteries and accumulators. The battery shall not be exposed to excessive heat such as sunshine, fire or the like.

**CAUTION:** The apparatus shall not be exposed to water (dripping or splashing) and no objects filled with liquids, such as vases, shall be placed on the apparatus.

### Disposal of your old appliance



1. When this crossed-out wheeled bin symbol is attached to a product it means the product is covered by the European Directive 2002/96/EC.
2. All electrical and electronic products should be disposed of separately from the municipal waste stream via designated collection facilities appointed by the government or the local authorities.
3. The correct disposal of your old appliance will help prevent potential negative consequences for the environment and human health.
4. For more detailed information about disposal of your old appliance, please contact your city office, waste disposal service or the shop where you purchased the product.

### Disposal of waste batteries/accumulators



1. When this crossed-out wheeled bin symbol is attached to batteries/accumulators of Your product it means they are covered by European Directive 2006/66/EC.
2. This symbol may be combined with chemical symbols for mercury(Hg), cadmium(Cd) or lead(Pb) if the battery Contains more than 0.0005% of mercury, 0.002% of cadmium or 0.004% of lead.
3. All batteries/accumulators should be disposed separately from the municipal waste stream via designated collection facilities appointed by the government or the local authorities.
4. The correct disposal of Your old batteries/accumulators will help to prevent potential negative consequences for the environment, animal and human health.
5. For more detailed information about disposal of Your old batteries/accumulators, please contact Your city office, waste disposal service or the shop where You purchased the product.

# Table of Contents

## 1 Getting Started

---

- 2 Safety Information
- 6 Unique Features
- 6 Accessories
- 7 Playable file Requirement
- 7 – MP3/WMA music file requirement
- 7 – Compatible USB Devices
- 7 – USB device requirement
- 8 Remote control
- 9 Front panel
- 10 Rear panel

## 2 Connecting

---

- 11 Optional Equipment Connection
- 11 – USB Connection
- 11 – PORTABLE IN Connection
- 11 – Battery Installation
- 11 – AC Power Cord Connection

## 3 Operating

---

- 12 Basic Operations
- 12 – CD/ USB Operations
- 12 – Selecting a folder and a MP3/WMA file
- 12 – Deleting a MP3/WMA file
- 13 – Listening to music with your headphones
- 13 Other Operations
- 13 – Programmed Playback
- 13 – Displaying file information (ID3 TAG)
- 13 – Turn off the sound temporarily
- 14 – Sleep Timer Setting
- 14 – Dimmer
- 14 – Auto Power Down
- 14 Radio Operations
- 14 – Listening to the radio
- 14 – Presetting the Radio Stations
- 14 – Deleting all the saved stations
- 15 – Improving poor FM reception

- 15 Sound adjustment
- 15 – Setting the surround mode
- 15 Advanced Operations
- 15 – Listening to music from your external device
- 16 Using a Bluetooth wireless technology
- 16 – Listening to music stored on the Bluetooth devices

## 4 Troubleshooting

---

- 18 Troubleshooting

## 5 Appendix

---

- 19 Specifications
- 20 Maintenance
- 20 – Handling the Unit
- 20 – Notes on Discs
- 20 Trademarks and Licenses

1

2

3

4

5

## Unique Features

1

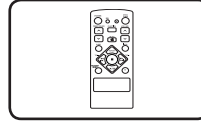
Getting Started

### Portable In

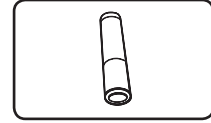
Listens to music from your portable device. (MP3, Notebook, etc)

## Accessories

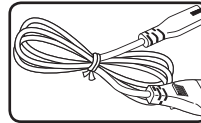
Please check and identify the supplied accessories.



Remote Control (1)



Battery (1)



AC Power cable (1)

# Playable file Requirement

## MP3/WMA music file requirement

MP3/WMA file compatibility with this unit is limited as follows :

- Sampling Frequency : 32 - 48 kHz (MP3), 32 - 48 kHz (WMA)
- Bit rate : 32 - 320 kbps (MP3), 40 - 320 kbps (WMA)
- Maximum files : Under 999
- File extensions : ".mp3"/ ".wma"
- CD-ROM file format : ISO9660/ JOLIET
- We recommend that you use "Easy-CD Creator", which creates an ISO 9660 file system.

## Compatible USB Devices

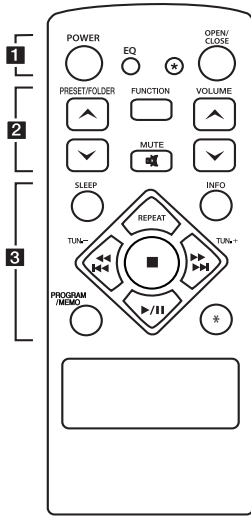
- MP3 Player : Flash type MP3 player.
- USB Flash Drive : Devices that support USB2.0 or USB1.1.
- The USB function of this unit does not support all USB devices.

## USB device requirement

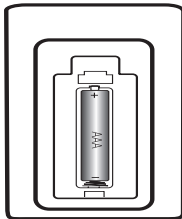
- Devices which require additional program installation when you have connected it to a computer, are not supported.
- Do not extract the USB device while in operation.
- For a large capacity USB, it may take longer than a few minute to be searched.
- To prevent data loss, back up all data.
- If you use a USB extension cable or USB hub, the USB device is not recognized.
- Using NTFS file system is not supported. (Only FAT(16/ 32) file system is supported.)
- This unit is not supported when the total number of files is 1 000 or more.
- External HDD, Card readers, Locked devices, or hard type USB devices are not supported.
- USB port of the unit cannot be connected to PC. The unit cannot be used as a storage device.

# Remote control

1  
Getting Started



## Battery Installation



Remove the battery cover on the rear of the Remote Control, and insert one (size AAA) battery with  $\oplus$  and  $\ominus$  matched correctly.

..... **1** .....

**POWER** : Switches the unit ON or OFF.

**EQ** : Chooses sound impressions.

**\*** : The button is not available for any function.

**OPEN/CLOSE** : Opens and closes CD door.

..... **2** .....

**PRESET/FOLDER  $\wedge$ / $\vee$**  :

- Searches for a folder of mp3/wma files. When a CD/USB containing mp3/wma files in several folders is being played, press **PRESET/FOLDER  $\wedge$ / $\vee$**  to select the folder you want to play.
- Chooses a preset number for a radio station.

**FUNCTION** : Selects the function and input source.

**VOLUME  $\wedge$ / $\vee$**  : Adjusts speaker volume.

**$\boxtimes$  MUTE** : Mutes the sound.

..... **3** .....

**SLEEP** : Sets the system to turn off automatically at a specified time.

(Dimmer : The display window will be darken by half).

**INFO** : Checks information about your music. MP3 files often come with tags. The tag gives the Title, Artist, Album or Time information.

**REPEAT**: Selects a play mode.

**TUN. -/+** : Selects the radio station.

**$\lll$  $\lll$  $\lll$ / $\ggg$  $\ggg$  $\ggg$**  (Skip/Search):

- Skips Fast backward or Forward.

- Searches for a section within a track.

**■** : Stops playback.

**$\blacktriangleright$ /||** (Play/Pause) :

- Starts or pauses playback.
- Selects STEREO/MONO.

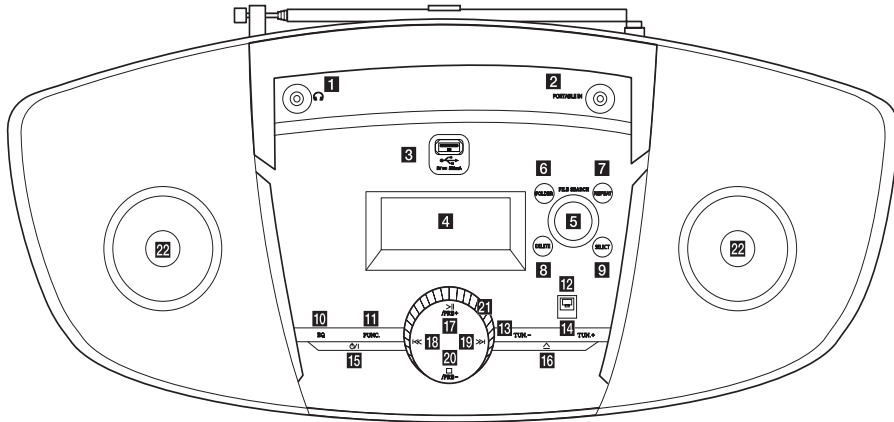
**PROGRAM/MEMO** :

- Stores radio stations.
- Creates a playlist you want to listen to.

**\*** : The button is not available for any function.



## Front panel



1

Getting Started

### 1

Headphone jack

A warning that excessive sound pressure from earphones and headphones can cause hearing loss.

### 2 PORTABLE IN

For connecting a portable device and playing it through this unit's speakers.

### 3 USB PORT

You can play sound files by connecting the USB device.

### 4 DISPLAY WINDOW

Shows the current status of the unit.

### 5 FILE SEARCH

Moves to the another file/ track.

### 6 FOLDER

Moves to folder and file selection mode.

### 7 REPEAT

Selects a play mode.

### 8 DELETE

Deletes MP3/ WMA files.

### 9 SELECT

When You can delete files, select yes or no.

### 10 EQ

You can choose fixed sound impression.

### 11 FUNC.

Changes the function.

### 12 REMOTE CONTROL SENSOR

### 13 TUN -

selects the radio station.

### 14 TUN +

selects the radio station.

### 15 (Power)

Turn ON/ OFF.

### 16

Open or close your CD door.

### 17 /PRE +

Play/ pause.

Chooses a preset number for a radio station.

### 18

Prev./Scan

### 19

Next/Scan

### 20 /PRE -

STOP.

Chooses a preset number for a radio station.

### 21 VOLUME CONTROL

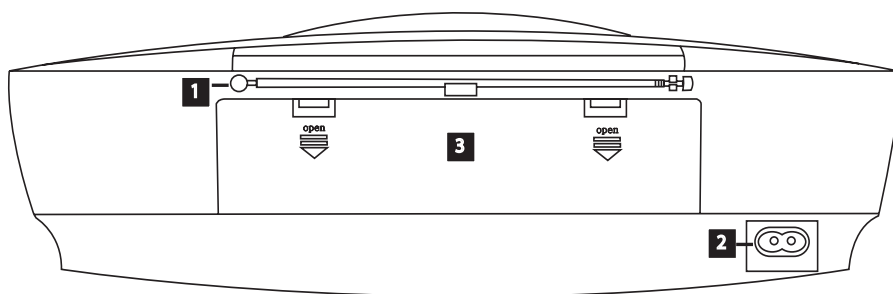
Adjusts speaker volume.

### 22 Speakers

## Rear panel

1

Getting Started

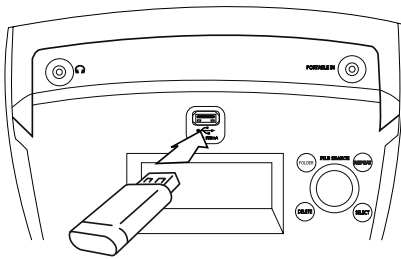


- 1** FM ANTENNA
- 2** AC in Socket
- 3** Battery Cover

## Optional Equipment Connection

### USB Connection

Connect the USB Memory (or MP3 player, etc.) to the USB port on the front of the unit.



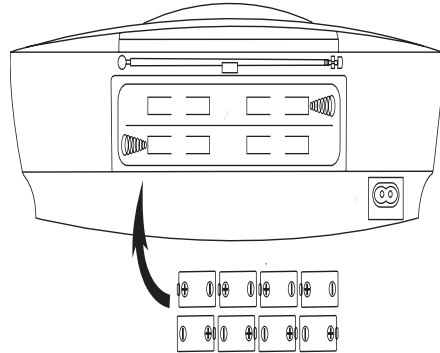
#### ! Note

Removing the USB Device from the unit

1. Choose a different function/mode or press **■** twice in a row.
2. Remove the USB device from the unit.

### Battery Installation

1. Press and open the battery cover.
2. Put eight "D" (R20) batteries (not supplied) into the compartment making sure the  $\oplus$  and  $\ominus$  should be correctly positioned.
3. Close the battery cover.



2

Connecting

### AC Power Cord Connection

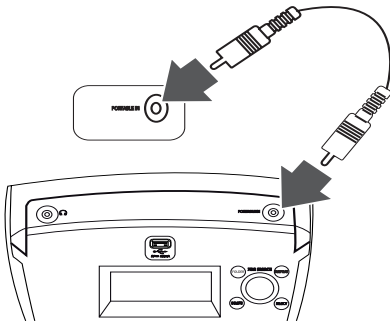
1. Connect one end of the AC power cord (included) to the AC IN socket.
2. Plug the other end into the wall outlet.

#### ! Note

- Unplug the AC power cord from the wall outlet if you do not to use for an extended period of time.
- To avoid damage from possible battery leakage, remove the batteries if you do not plan to use the unit for an extended period of time.
- When the batteries are weak, replace all the batteries with new ones.
- While the AC power cord connect to the wall outlet, the batteries are not worn out.
- Batteries (battery pack or batteries installed) shall not be exposed to excessive heat such as sunshine, fire or the like.

### PORTABLE IN Connection

Connect an output (earphone or line out) of portable device (MP3 or PMP etc) to the PORTABLE IN connector.



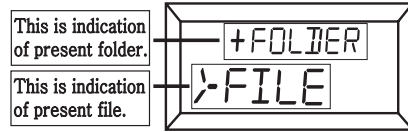
## Basic Operations

### CD/ USB Operations

1. Insert the disc by pressing  $\blacktriangle$  or connect the USB device to the USB port.
2. Select the **CD** or **USB** function by pressing **FUNCTION** on the remote control or **FUNC.** on the unit.
3. Select a file (or track) you want to play by pressing  $\llcorner / \gg$  on the unit or  $\llcorner \llcorner \llcorner / \gg \gg \gg$  on the remote control

To	Do this
Stop	Press $\blacksquare$ on the remote control or $\square$ / <b>PRE -</b> on the unit.
Playback	Press $\blacktriangleright$ / <b>II</b> on the remote control or $\blacktriangleright$ / <b>II</b> / <b>PRE +</b> on the unit.
Pause	During playback, press $\blacktriangleright$ / <b>II</b> on the remote control or $\blacktriangleright$ / <b>II</b> / <b>PRE +</b> on the unit.
Skipping to the next/ previous track/ file	During playback, press $\llcorner / \gg$ on the unit or $\llcorner \llcorner \llcorner / \gg \gg \gg$ on the remote control to go to the next track/ file or to return to the beginning of the current track/ file. Press $\llcorner \llcorner \llcorner$ on the remote control or $\llcorner$ on the unit twice briefly to step back to the previous track/ file.
Searching for a section within a track	Press and hold $\llcorner / \gg$ on the unit or $\llcorner \llcorner \llcorner / \gg \gg \gg$ on the remote control during playback and release it at the point you want to listen to.
Playing repeatedly or randomly	Press <b>REPEAT</b> repeatedly, the display change in the following order; RPT 1 -> RPT DIR(only mp3/wma) -> RPT ALL -> RANDOM -> OFF

### Selecting a folder and a MP3/WMA file



#### On the unit

1. Press **FOLDER** and rotate **FILE SEARCH** until a desired folder appears.
2. Press **SELECT** or  $\blacktriangleright$ /**II**/**PRE +**.
3. If you want to move to the upper folder, press **FOLDER**.
4. Rotate **FILE SEARCH** until a desired file appears. Press **SELECT** or  $\blacktriangleright$ /**II**/**PRE +** to play it.

#### On the remote control

1. Press **PRESET/FOLDER**  $\wedge$ /**V** on the remote control repeatedly until a desired folder appears.
2. Press  $\blacktriangleright$ /**II** on the remote control or **SELECT** or  $\blacktriangleright$ /**II**/**PRE +** on the unit to play it. The first file of folder will play.

### Deleting a MP3/WMA file

You can delete file, folder or format by pressing


#### DELETE. (USB only)

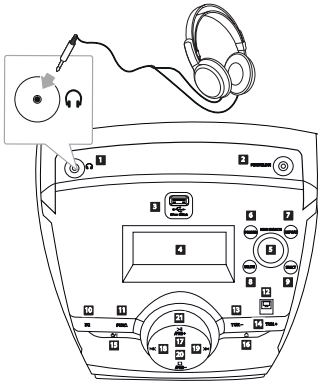
1. Press **DELETE** repeatedly during selecting the MP3/ WMA file. This function is supported only in stop status. The display changes in the following order.
  - DELETE? : deletes file
  - DEL DIR? : deletes folder
  - FORMAT? : formats USB
2. To select "YES" or "NO", press  $\llcorner / \gg$  on the unit or  $\llcorner \llcorner \llcorner / \gg \gg \gg$  on the remote control or rotate **FILE SEARCH**.
3. To delete file/folder or format, press **SELECT** on the unit.
4. If you want to exit the current mode, press  $\blacksquare$  on the remote control or  $\square$ /**PRE -** on the unit.

### ! Caution


- Do not extract the USB device during operation.(play, delete, etc.)
- Regular back up is recommended to prevent data loss.
- The delete function may not be supported according to the USB status. (lock, etc.)

## Listening to music with your headphones

Connect a pair of stereo headphones (Ø 3.5 mm phone plug) to  on the unit for private listening.



### ! Note

You can't hear any sound from speakers, while the headphones plug is inserted in the .

## Other Operations

### Programmed Playback

The program function enables you to store your favorite files from any disc or USB device.

A program can contain 20 tracks.

1. Insert a CD or USB and wait for it to be order.
2. Press **PROGRAM/MEMO** on the remote control in stop status.
3. Press **|<< / >>|** on the unit or **|<<< / >>>|** on the remote control or rotate **FILE SEARCH** in stop status.
4. Press **PROGRAM/MEMO** again to save and select a next track.
5. Press **▶/||** on the remote control or **>||/PRE +** on the unit to play the programmed music files.
6. To clear your selection, press **■** on the remote control or **□/PRE -** on the unit twice.

### ! Note

The programs are also cleared when the disc or USB device is removed, the unit is powered off or the function is switched to others.

### Displaying file information (ID3 TAG)

While playing an mp3/wma file containing file information, you can display the information by pressing **INFO** on the remote control.

### Turn off the sound temporarily

Press **MUTE** on the remote control to mute your sound. You can mute the sound in order, for example, to answer the telephone. And "MUTE" will blink in the display window.

## Sleep Timer Setting

Press **SLEEP** repeatedly to select delay time between 10 and 180 minutes, after the unit will turn off.

To check the remaining time, press **SLEEP**.

To cancel the sleep function, press **SLEEP** repeatedly until "SLEEP 10" appears, and then press **SLEEP** once again while "SLEEP 10" is displayed.

### Note

- You can check the remaining time before the unit turns off.
- Press **SLEEP**. The remaining time appears in the display window.
- Sleep function will work after dimmer.

## Dimmer

Press **SLEEP** once. The display window will be darkened by half. To cancel it, press **SLEEP** repeatedly until the display window get bright.

## Auto Power Down

This unit will be off itself to save electronic consumption in the case main unit is not connected to external device and is not used for 20 minutes.

So does this unit after six hours since Main unit has been connected to other device using analog input.

## Radio Operations

### Listening to the radio

1. Press **FUNCTION** on the remote control or **FUNC.** on the unit until FM appears in the display window.  
The last received station is tuned in.
2. Press and hold **TUN. -/+** for about 2 seconds until the frequency indication starts to change, then release. Scanning stops when the unit tunes in a station.

Or

Press **TUN. -/+** repeatedly.

3. Adjust the volume by rotating **VOLUME** on the unit or by pressing **VOLUME  $\wedge$ /V** on the remote control repeatedly.

### Presetting the Radio Stations

You can preset 50 stations for FM.

Before tuning, make sure to turn down the volume.

1. Press **FUNCTION** on the remote control or **FUNC.** on the unit until FM appears in the display window.
2. Select the desired frequency by pressing **TUN. -/+**.
3. Press **PROGRAM/MEMO** a preset number will flash in the display window.
4. Press **PRESET/FOLDER  $\wedge$ /V** to select the preset number you want.
5. Press **PROGRAM/MEMO** The station is stored.
6. Repeat steps 2 to 5 to store other stations.
7. To listen a preset station, press **PRESET/FOLDER  $\wedge$ /V**.

### Deleting all the saved stations

1. Press and hold **PROGRAM/MEMO** for two seconds. "CLEAR" will flash up on the unit display.
2. Press **PROGRAM/MEMO** to erase all saved radio stations.

## Improving poor FM reception

Press **▶/II** on the remote control. This will change the tuner from stereo to mono and usually improve the reception.

## Sound adjustment

### Setting the surround mode

This system has a number of pre-set surround sound fields. You can select a desired sound mode by using **EQ**.

The displayed items for the Equalizer may be different depending on sound sources and effects.

On Display	Description
POP CLASSIC ROCK JAZZ	This program lends an enthusiastic atmosphere to the sound, giving you the feeling you are at an actual rock pop, jazz or classic concert.
BASS	Reinforce the treble, bass and surround sound effect.
BYPASS	You can enjoy the sound without equalizer effect.

#### ! Note

Maybe you need reset the surround mode, after switching the input, sometimes even after the sound track changed.

## Advanced Operations

### Listening to music from your external device

The unit can be used to play the music from many types of external device.

(Refer to the page 11)

1. Connect the external device to the PORTABLE IN connector of the unit.
2. Turn the power on by pressing **⏻/I (Power)**.
3. Select the PORTABLE function by pressing **FUNCTION** on the remote control or **FUNC.** on the unit.
4. Turn the external device and start it playing.

## Using a Bluetooth wireless technology

### About Bluetooth

**Bluetooth®** is wireless communication technology for short range connection.

The sound may be interrupted when the connection interfered by the other electronic wave or you connect the bluetooth in the other rooms.

Connecting individual devices under **Bluetooth®** wireless technology does not incur any charges. A mobile phone with **Bluetooth®** wireless technology can be operated via the Cascade if the connection was made via **Bluetooth®** wireless technology. Available Devices : Mobile phone, MP3, Laptop, PDA.

### Bluetooth Profiles

In order to use **Bluetooth®** wireless technology, devices must be able to interpret certain profiles. This unit is compatible with following profile. A2DP (Advanced Audio Distribution Profile)

## Listening to music stored on the Bluetooth devices

Before you start the pairing procedure, make sure the Bluetooth feature is turned on in to your Bluetooth device. Refer to your Bluetooth device's user guide. Once a pairing operation is performed, it does not need to be performed again.

1. Select the Bluetooth function by using the **FUNCTION** switch.  
"BT READY" appears on the display window.
2. Operate the Bluetooth device and perform the pairing operation. When searching for this unit with the Bluetooth device, a list of the devices found may appear in the Bluetooth device display depending on the type of Bluetooth device. Your unit appears as "LG MICRO (XX:XX)".

#### ! Note

- XX:XX means the last four digits of BT address. For example, if your unit has a BT address such as 9C:02:98:4A:F7:08, you will see "LG MICRO (F7:08)" on your Bluetooth device.
- XX:XX(Bluetooth address) may not be present on some Bluetooth devices.

3. Enter the PIN code.  
PIN code : 0000
4. When this unit is successfully connected with your Bluetooth device, "BT PAIRED" will appear on the display window.

#### ! Note

Depending on the Bluetooth device type, some device have a different pairing way.

5. Listen to music.  
To play a music stored on your Bluetooth device, refer to your Bluetooth device's user guide.



 **Note**

- When using Bluetooth® technology, you have to make a connection between the unit and the bluetooth device as close as possible and keep the distance. However it may not work well in the case below :
  - There is a obstacle between the unit and the bluetooth device.
  - There is a device using same frequency with **Bluetooth®** technology such as a medical equipment, a microwave or a wireless LAN device.
- The sound may be interrupted when the connection interfered by the other electronic wave.
- You cannot control the Bluetooth device with this unit.
- Pairing is limited one Bluetooth device per one unit and multi-pairing is not supported.
- Depending on the type of the device, you may not be able to use the Bluetooth function.
- You can enjoy wireless system using phone, MP3, Notebook, etc..
- When someone stands and interrupts communication between Bluetooth device and the player, the connection will be disconnected.
- The more distant between the unit and the bluetooth device, the lower the sound quality becomes.

## Troubleshooting

Problem	Cause & Correction
No Power.	<ul style="list-style-type: none"> <li>• The power cord is not plugged in. Plug in the power cord.</li> <li>• Check whether electricity failed. Check the condition by operating other electronic devices.</li> </ul>
No sound.	<ul style="list-style-type: none"> <li>• Check whether you select right function. Press FUNCTION and check the selected function.</li> <li>• The volume is set to minimum. Use the volume controller to adjust the volume.</li> </ul>
The unit does not start playback.	<ul style="list-style-type: none"> <li>• An unplayable disc is inserted. Insert a playable disc.</li> <li>• No disc is inserted. Insert a disc.</li> <li>• The disc is dirty. Clean the disc. (Refer to the page 20)</li> <li>• The disc is inserted upside down. Place the disc with the label or printed side facing upwards.</li> </ul>
Radio stations cannot be tuned in properly.	<ul style="list-style-type: none"> <li>• The antenna is positioned poorly. Adjust its position.</li> <li>• The signal strength of the radio station is too weak. Tune to the station manually.</li> <li>• No stations have been preset or preset stations have been cleared (when tuning by scanning preset channels). Preset some radio stations, see page 14 for details.</li> </ul>
The remote control does not work properly.	<ul style="list-style-type: none"> <li>• The remote control is not pointed at the remote sensor of the unit. Point the remote control at the remote sensor of the unit.</li> <li>• The remote control is too far from the unit. Operate the remote control within about 16 ft (5 m).</li> <li>• There is an obstacle in the path of the remote control and the unit. Remove the obstacle.</li> <li>• The battery in the remote control is exhausted. Replace the battery with new one.</li> </ul>

## Specifications

General	
Power supply	Refer to the main label.
Power consumption	Refer to the main label.
Net Weight	2.8 kg
External dimensions (W x H x D)	(540 x 143 x 240) mm
Operating conditions Temperature	5 °C to 35 °C (41 °F to 95 °F)
Operating humidity	5 % to 85 %

Inputs	
PORT. IN	0.7 Vrms (3.5 mm stereo jack)

Tuner	
FM Tuning Range	87.5 to 108.0 MHz or 87.50 to 108.00 MHz

Amplifier	
Output Power	7.5W / 7.5W
T.H.D	10 %

CD	
Frequency Response	100 Hz to 18 kHz
Signal-to-noise ratio	Minimum 55 dB
Dynamic range	Minimum 50 dB

USB	
USB Version	USB 2.0 or USB 1.1
Bus Power Supply	5 V $\pm$ 500 mA

Speakers	
Type	built-in
Impedance	8 $\Omega$
Rated Input Power	10 W
Max. Input Power	15 W

- Design and specifications are subject to change without notice.

## Maintenance

### Handling the Unit

#### When shipping the unit

Please save the original shipping carton and packing materials. If you need to ship the unit, for maximum protection, re-pack the unit as it was originally packed at the factory.

#### Keeping the exterior surfaces clean

Do not use volatile liquids such as insecticide spray near the unit.

Wiping with strong pressure may damage the surface.

Do not leave rubber or plastic products in contact with the unit for a long period of time.

#### Cleaning the unit

To clean the player, use a soft, dry cloth. If the surfaces are extremely dirty, use a soft cloth lightly moistened with a mild detergent solution. Do not use strong solvents such as alcohol, benzene, or thinner, as these might damage the surface of the unit.

#### Maintaining the Unit

The unit is a high-tech, precision device. If the optical pick-up lens and disc drive parts are dirty or worn, the picture quality could be diminished. For details, please contact your nearest authorized service center.

## Notes on Discs

### Handling Discs

Never stick paper or tape on the disc.

### Storing Discs

After playing, store the disc in its case. Do not expose the disc to direct sunlight or sources of heat and never leave it in a parked car exposed to direct sunlight.

### Cleaning Discs

Do not use strong solvents such as alcohol, benzene, thinner, commercially available cleaners, or anti-static spray intended for older vinyl records.

## Trademarks and Licenses



*Bluetooth*<sup>®</sup> wireless technology is a system which allows radio contact between electronic devices.

Connecting individual devices under *Bluetooth*<sup>®</sup> wireless technology does not incur any charges. A mobile phone with *Bluetooth*<sup>®</sup> wireless technology can be operated via the Cascade if the connection was made via *Bluetooth*<sup>®</sup> wireless technology.

The *Bluetooth*<sup>®</sup> word mark and logos are owned by the *Bluetooth*<sup>®</sup> SIG, Inc. and any use of such marks by LG Electronics is under license.

Other trademarks and trade names are those of their respective owners.





	Телефон	Режим работы	Интернет
Россия	8-800-200-7676	Круглосуточно	<a href="http://www.lg.com">http://www.lg.com</a>
Беларусь	8-820-0071-1111		
Латвия	8-0200-201	9:00 - 17:00 (Пн.-Пт.)	
Литва	8-800-08-081		
Эстония	800-9990	8:00 - 21:00 (Пон.-Пят.) 8:30 - 18:30 (Суб., Нд.)	
Україна	0-800-303-000		
Казахстан	8-8000-805-805	9:00-20:00 (Пн.-Пят.)	
	2255 (GSM)	9:00-18:00 (Суб., Вс.)	
Узбекистан	8 800 120 2222	9:00 - 18:30 (Пн.- Пят.) 9:00 - 15:00 (Суб., Вс.)	
Кыргызстан	800 0071 0005	Круглосуточно	
Молдова	00-800-0071-0005 (Тольоно для стационарних телефонов)	Круглосуточно	



Символ «не для пищевой продукции» применяется в соответствие с техническим регламентом Таможенного союза «О безопасности упаковки» 005/2011 и указывает на то, что упаковка данного продукта не предназначена для повторного использования и подлежит утилизации. Упаковку данного продукта запрещается использовать для хранения пищевой продукции.

Символ Кедендік одақтың 005/2011 техникалық регламентіне сәйкес қолданылады және осы өнімнің қаптамасын екінші рет пайдалануға арналмағанын және жоюға жататынын көрсетеді. Осы өнімнің қаптамасын азық-түлік өнімдерін сақтау үшін пайдалануға тыйым салынады.



Символ «петля Мебиуса» указывает на возможности утилизации упаковки. Символ может быть дополнен обозначением материала упаковки в виде цифрового и/или буквенного обозначения.

Символ қаптаманы жою мүмкіндігін көрсетеді. Символ сандық код және/немесе әріп белгілері түріндегі қаптама материалының белгісімен толықтырылуы мүмкін.

### Российская Федерация

Импортер ООО "ЛГ Электроникс Рус"

Адрес импортера: 143160 Российская Федерация, Московская область, Рузский район, сельское поселение Дороховское, 86 км. Минского шоссе, д.9

Адрес производителя : МАТЕСТАР

Дон Гуан МАТЕСТАР ЭЛЕКТРОНИКС ЛТД. Китай, г. ДонгГуан, округ Чанг Пин, район Чен Ву Бей

Сделано в Китае

### Україна

Найменування та адреса імпортера

ПІІ «ЛГ ЕЛЕКТРОНІКС Україна» вул. Басейна, 6, м. Київ, 01004,  
Тел. : 044 201-43-50

### Қазақстан Республикасы

Импорртаушы АҚ "ЭЛ Джи Электроникс Алматы Қазақстан", 050061, Алматы қ., к. Көкөрай, 2А

Өндірушінің мекенжайы: МАТЕСТАР

Dong Guan MATESTAR ELECTRONICS LTD. Қытай, ДонгГуан қ., Чанг Пинг қаласы, Чен Ву Бей ауданы.

Қазақстан Республикасы территориясында тұтынушылардан келіп түскен талаптар мен ұсыныстарды қарайтын және тауарды жөндеу мен техникалық қызмет көрсететін ұжым:

АҚ «Эл Джи Электроникс Алматы Қазақстан», 050061, Қазақстан Республикасы, Алматы қ., Көкөрай, 2А. Басқа сервис орталықтары жайында мағлұматты "Тұтынушыға қызмет көрсету орталығына" телефон шалу арқылы білуге болады.

Қытайда жасалған

