



OWNER'S MANUAL

LED TV*

* LG LED TVs are LCD TVs with LED backlighting.

Please read this manual carefully before operating your TV
and retain it for future reference.

40UB8000	49UB8200	49UB8300	65UB9200
	55UB8200	55UB8300	
	60UB8200		



* M F L 6 7 9 8 7 2 9 4 *

www.lg.com
P/NO : MFL67987294 (1410-REV04)

IMPORTANT SAFETY INSTRUCTIONS

Always comply with the following precautions to avoid dangerous situations and ensure peak performance of your product.



TO REDUCE THE RISK OF ELECTRIC SHOCK DO NOT REMOVE COVER (OR BACK). NO USER SERVICEABLE PARTS INSIDE. REFER TO QUALIFIED SERVICE PERSONNEL.

⚡ The lightning flash with arrowhead symbol, within an equilateral triangle, is intended to alert the user to the presence of uninsulated dangerous voltage within the product's enclosure that may be of sufficient magnitude to constitute a risk of electric shock to persons.

! The exclamation point within an equilateral triangle is intended to alert the user to the presence of important operating and maintenance (servicing) instructions in the literature accompanying the appliance.

WARNING/CAUTION
- TO REDUCE THE RISK OF FIRE AND ELECTRIC SHOCK, DO NOT EXPOSE THIS PRODUCT TO RAIN OR MOISTURE.

! WARNING

If you ignore the warning message, you may be seriously injured or there is a possibility of accident or death.

! CAUTION

If you ignore the caution message, you may be slightly injured or the product may be damaged.

! NOTE

The note helps you understand and use the product safely. Please read the note carefully before using the product.

Read these instructions.
Keep these instructions.
Follow all instructions.
Heed all warnings.



- Do not allow the television to become wet.



- Clean only with a dry cloth.



- Do not block any ventilation openings. Install in accordance with the manufacturer's instructions.



- Do not install near any heat sources such as radiators, heat registers, stoves, or other apparatus (including amplifiers) that produce heat.



- Do not defeat the safety purpose of the polarized or grounding-type plug. A polarized plug has two blades with one wider than the other. A grounding type plug has two blades and a third grounding prong. The wide blade or the third prong are provided for your safety. If the provided plug does not fit into your outlet, consult an electrician for replacement of the obsolete outlet (Can differ by country).



- Do not press strongly upon the panel with a hand or a sharp object such as a nail, pencil or pen, or make a scratch on it.



- Protect the power cord from being walked on or pinched particularly at plugs, convenience receptacles, and the point where they exit from the apparatus.



- Only use attachments/accessories specified by the manufacturer.



- Use only with a cart, stand, tripod, bracket, or table specified by the manufacturer, or sold with the apparatus. When a cart is used, use caution when moving the cart/apparatus combination to avoid injury from tip-over.



- Unplug this apparatus during lightning storms or when unused for long periods of time.



- Refer all servicing to qualified service personnel. Servicing is required when the apparatus has been damaged in any way, such as power-supply cord or plug is damaged, liquid has been spilled or objects have fallen into the apparatus, the apparatus has been exposed to rain or moisture, does not operate normally, or has been dropped.



- Do not stick metal objects or any other conductive material into the power cord. Do not touch the end of the power cord while it is plugged in.
- Keep the packing anti-moisture material or vinyl packing out of the reach of children. Anti-moisture material is harmful if swallowed. If swallowed by mistake, induce vomiting and go to the nearest hospital. Additionally, vinyl packing can cause suffocation. Keep it out of the reach of children.

- **CAUTION** concerning the Power Cord (Can differ by country):
Check the specification page of this owner's manual to be certain. Do not connect too many appliances to the same AC power outlet as this could result in fire or electric shock. Do not overload wall outlets. Overloaded wall outlets, loose or damaged wall outlets, extension cords, frayed power cords, or damaged or cracked wire insulation are dangerous. Any of these conditions could result in electric shock or fire. Periodically examine the cord of your appliance, and if its appearance indicates damage or deterioration, unplug it, discontinue use of the appliance, and have the cord replaced with an exact replacement part by an authorized service. Protect the power cord from physical or mechanical abuse, such as being twisted, kinked, pinched, closed in a door, or walked upon. Pay particular attention to plugs, wall outlets, and the point where the cord exits the appliance. Do not move the TV with the power cord plugged in. Do not use a damaged or loose power cord. Be sure to grasp the plug when unplugging the power cord. Do not pull on the power cord to unplug the TV.



- **Warning** - To reduce the risk of fire or electrical shock, do not expose this product to rain, moisture or other liquids. Do not touch the TV with wet hands. Do not install this product near flammable objects such as gasoline or candles, or expose the TV to direct air conditioning.

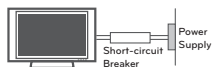


- Do not expose to dripping or splashing and do not place objects filled with liquids, such as vases, cups, etc. on or over the apparatus (e.g. on shelves above the unit).



• **Grounding**

(Except for devices which are not grounded.) Ensure that you connect the earth ground wire to prevent possible electric shock (i.e. a TV with a three-prong grounded AC plug must be connected to a three-prong grounded AC outlet). If grounding methods are not possible, have a qualified electrician install a separate circuit breaker. Do not try to ground the unit by connecting it to telephone wires, lightning rods, or gas pipes.



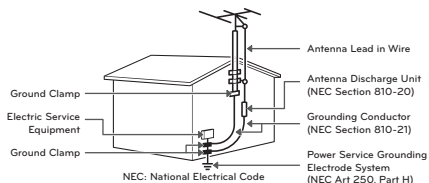
- As long as this unit is connected to the AC wall outlet, it is not disconnected from the AC power source even if the unit is turned off.
- Do not attempt to modify this product in any way without written authorization from LG Electronics. Unauthorized modification could void the user's authority to operate this product.

• **Outdoor Antenna Grounding**

(Can differ by country):

If an outdoor antenna is installed, follow the precautions below. An outdoor antenna system should not be located in the vicinity of overhead power lines or other electric light or power circuits, or where it can come in contact with such power lines or circuits as death or serious injury can occur. Be sure the antenna system is grounded so as to provide some protection against voltage surges and built-up static charges. Section 810 of the National Electrical Code (NEC) in the U.S.A. provides information with respect to proper grounding of the mast and supporting structure, grounding of the lead-in wire to an antenna discharge unit, size of grounding conductors, location of antenna discharge unit, connection to grounding electrodes and requirements for the grounding electrode.

Antenna grounding according to the National Electrical Code, ANSI/NFPA 70



• **Cleaning**

When cleaning, unplug the power cord and wipe gently with a soft cloth to prevent scratching. Do not spray water or other liquids directly on the TV as electric shock may occur. Do not clean with chemicals such as alcohol, thinners, or benzene.

• **Moving**

Make sure the product is turned off, unplugged, and all cables have been removed. It may take 2 or more people to carry larger TVs. Do not press or put stress on the front panel of the TV.

• **Ventilation**

Install your TV where there is proper ventilation. Do not install in a confined space such as a bookcase. Do not cover the product with cloth or other materials while plugged. Do not install in excessively dusty places.

- If you smell smoke or other odors coming from the TV, unplug the power cord and contact an authorized service center.
- Keep the product away from direct sunlight.
- Never touch this apparatus or antenna during a lightning storm.
- When mounting a TV on the wall, make sure not to install the TV by hanging the power and signal cables on the back of the TV.
- Do not allow an impact shock, any objects to fall into the product, and do not drop anything onto the screen.
- **DISCONNECTING THE DEVICE FROM THE MAIN POWER**

The Power Plug is the disconnecting device. In case of an emergency, the Power Plug must remain readily accessible.

• **Batteries**

- Store the accessories (battery, etc.) in a safe location out of the reach of children.
- This apparatus uses batteries. In your community there might be regulations that require you to dispose of these batteries properly due to environmental considerations. Please contact your local authorities for disposal or recycling information.
- Do not dispose of batteries in a fire.
- Do not short circuit, disassemble, or allow the batteries to overheat.
- Do not use high voltage electrical equipment near the TV, (e.g. bug zapper). This may result in product malfunction.

- **Dot Defect**

The panel is a high technology product with resolution of two million to six million pixels. In a very few cases, you could see fine dots on the screen while you're viewing the TV. Those dots are deactivated pixels and do not affect the performance and reliability of the TV.

- **Generated Sound**

Cracking noise A cracking noise that occurs when watching or turning off the TV is generated by plastic thermal contraction due to temperature and humidity. This noise is common for products where thermal deformation is required.

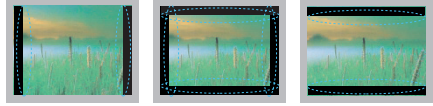
Electrical circuit humming/panel buzzing

A low level noise is generated from a high-speed switching circuit, which supplies a large amount of current to operate a product. It varies depending upon the product.

This generated sound does not affect the performance and reliability of the product.

- Take care not to touch the ventilation openings. When watching the TV for a long period, the ventilation openings may become hot. This does not affect the performance of the product or cause defects in the product.
- Do not install this product on a wall if it could be exposed to oil or oil mist. This may damage the product and cause it to fall.
- If the TV feels cold to the touch, there may be a small flicker when it is turned on. This is normal; there is nothing wrong with TV. Some minute dot defects may be visible on the screen, appearing as tiny red, green, or blue spots. However, they have no adverse effect on the TV's performance. Avoid touching the LCD screen or holding your finger(s) against it for long periods of time. Doing so may produce some temporary distortion effects on the screen.

Preventing image burn or burn-in on your TV screen



- If a fixed image displays on the TV screen for a long period of time, it will be imprinted and become a permanent disfigurement on the screen. This is image burn or burn-in and not covered by the warranty.
- If the aspect ratio of the TV is set to 4:3 for a long period of time, image burn may occur on the letterboxed area of the screen.
- Avoid displaying a fixed image on the TV screen for a long period of time (2 or more hours for LCD, 1 or more hours for the Plasma TV) to prevent image burn.

For USA and Canada**FCC NOTICE**

This equipment has been tested and found to comply with the limits for a Class B digital device, pursuant to Part 15 of the FCC Rules. These limits are designed to provide reasonable protection against harmful interference in a residential installation. This equipment generates, uses and can radiate radio frequency energy and, if not installed and used in accordance with the instructions, may cause harmful interference to radio communications. However, there is no guarantee that interference will not occur in a particular installation. If this equipment does cause harmful interference to radio or television reception, which can be determined by turning the equipment off and on, the user is encouraged to try to correct the interference by one or more of the following measures:

- Reorient or relocate the receiving antenna.
- Increase the separation between the equipment and the receiver.
- Connect the equipment to an outlet on a circuit different from that to which the receiver is connected.
- Consult the dealer or an experienced radio/TV technician for help.

This device complies with part 15 of the FCC Rules. Operation is subject to the following two conditions: (1) this device may not cause harmful interference and (2) this device must accept any interference received, including interference that may cause undesired operation of the device. Any changes or modifications in construction of this device which are not expressly approved by the party responsible for compliance could void the user's authority to operate the equipment.

NOTE TO CABLE/TV INSTALLER

This reminder is provided to call the CATV system installer's attention to Article 820-40 of the National Electric Code (U.S.A.). The code provides guidelines for proper grounding and, in particular, specifies that the cable ground shall be connected to the grounding system of the building, as close to the point of the cable entry as practical.

Viewing 3D Imaging (For 3D models)

WARNING

Viewing Environment

- Viewing Time
 - When watching 3D content, take 5 to 15 minute breaks every hour. Viewing 3D content for a long period of time may cause headache, dizziness, fatigue or eye strain.

Those that have a photosensitive seizure or chronic illness

- Some users may experience a seizure or other abnormal symptoms when they are exposed to a flashing light or particular pattern from 3D content.
- Do not watch 3D videos if you feel nauseous, are pregnant and/ or have a chronic illness such as epilepsy, cardiac disorder, or blood pressure disease, etc.
- 3D Content is not recommended for those who suffer from stereo blindness or stereo anomaly. Double images or discomfort in viewing may be experienced.
- If you have strabismus (cross-eyed), amblyopia (weak eyesight), or astigmatism, you may have trouble sensing depth and easily feel fatigue due to double images. It is advised to take more frequent breaks than the average adult.
- If your eyesight varies between your right and left eye, revise your eyesight prior to watching 3D content.

Symptoms which require discontinuation or refraining from watching 3D content

- Do not watch 3D content when you feel fatigue from lack of sleep, overwork, or intoxication.
- When these symptoms are experienced, stop using/watching 3D content and get enough rest until the symptom subsides.
 - Consult your doctor when the symptoms persist. Symptoms may include headache, eyeball pain, dizziness, nausea, palpitation, blurriness, discomfort, double image, define visual inconvenience, or fatigue.

 **CAUTION**

Viewing Environment

- Viewing Distance
 - Maintain a distance of at least twice the screen's diagonal length when watching 3D content. If you feel discomfort in viewing 3D content, move further away from the TV.

Viewing Age

- Infants / Children
 - Usage/ Viewing 3D content for children under the age of 5 are prohibited.
 - Children under the age of 10 may overreact and become overly excited because their vision is in development (for example: trying to touch the screen or trying to jump into it. Special monitoring and extra attention is required for children watching 3D content.
 - Children have greater binocular disparity of 3D presentations than adults because the distance between the eyes is shorter than one of adults. Therefore they will perceive more stereoscopic depth compared to adults for the same 3D image.
- Teenagers
 - Teenagers under the age of 19 may be stimulated to light coming from 3D videos. Advise them not to watch 3D videos for a long time when they are tired.
- Elderly
 - The elderly may perceive less of a 3D effect than the youth. Do not sit closer to the TV than the recommended distance.

Cautions when using the 3D glasses

- Only use LG 3D glasses. Otherwise, you may not be able to view 3D videos properly.
- Do not use 3D glasses instead of your normal glasses, sunglasses, or protective goggles.
- Using modified 3D glasses may cause eye strain or image distortion.
- Do not keep your 3D glasses in extremely high or low temperatures. It will cause deformation.
- The 3D glasses are fragile and are easily scratched. Use a soft, clean piece of cloth when wiping the lenses. Do not scratch the lenses of the 3D glasses with sharp objects or clean/wipe them with chemicals.

LICENSES

Supported licenses may differ by model. For more information about licenses, visit www.lg.com.



OPEN SOURCE SOFTWARE NOTICE

To obtain the source code under GPL, LGPL, MPL and other open source licenses, that is contained in this product, please visit <http://opensource.lge.com>. In addition to the source code, all referred license terms, warranty disclaimers and copyright notices are available for download.

LG Electronics will also provide open source code to you on CD-ROM for a charge covering the cost of performing such distribution (such as the cost of media, shipping and handling) upon email request to opensource@lge.com. This offer is valid for three (3) years from the date on which you purchased the product.

! NOTE

- Image shown may differ from your TV.
- Your TV's OSD (On Screen Display) may differ slightly from that shown in this manual.
- The available menus and options may differ from the input source or product model that you are using.
- New features may be added to this TV in the future.

TABLE OF CONTENTS

2 IMPORTANT SAFETY INSTRUCTIONS

7 Viewing 3D Imaging (For 3D models)

9 LICENSES

9 OPEN SOURCE SOFTWARE NOTICE

10 TABLE OF CONTENTS

11 INSTALLATION PROCEDURE

11 ASSEMBLING AND PREPARING

- 11 Unpacking
- 13 Optional Extras
- 14 Parts and Buttons
 - 15 - Using the Joystick Button
- 16 Lifting and Moving the TV
- 17 Setting Up the TV
 - 17 - Attaching the Stand
 - 19 - Mounting on a Table
 - 20 - Mounting on a Wall
 - 21 - Tidying Cables

22 MAKING CONNECTIONS

- 22 Connecting to an Antenna or Cable
- 23 Connecting to an HD Receiver, DVD Player, or VCR
 - 23 - HDMI Connection
 - 24 - DVI to HDMI Connection
 - 25 - Connecting to a Mobile Phone
 - 26 - Component Connection
 - 27 - Composite Connection
- 28 Connecting to a PC
 - 28 - HDMI Connection or DVI to HDMI Connection
- 30 Connecting to an Audio System
 - 30 - Digital Optical Audio Connection
- 31 Connecting a USB Device

32 REMOTE CONTROL

34 USING THE USER GUIDE

34 EXTERNAL CONTROL DEVICE SETUP

35 SPECIFICATIONS

37 MAINTENANCE

- 37 Cleaning Your TV
 - 37 - Screen, Frame, Cabinet, and Stand
 - 37 - Power Cord

37 TROUBLESHOOTING

INSTALLATION PROCEDURE

- 1 Open the package and make sure all the accessories are included.
- 2 Attach the stand to the TV set.
- 3 Connect an external device to the TV set.
- 4 Make sure the network connection is available.
You can use the TV network functions only when the network connection is made.

ASSEMBLING AND PREPARING

Unpacking

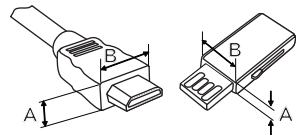
Check your product box for the following items. If there are any missing accessories, contact the local dealer where you purchased your product. The illustrations in this manual may differ from the actual product and item.

CAUTION

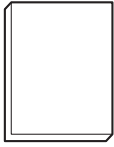
- Do not use any unapproved items to ensure the safety and product's lifespan.
- Any damages or injuries by using unapproved items are not covered by the warranty.
- In case of some model, the thin film on screen is a part of TV, So don't take it off.

NOTE

- The items supplied with your product may vary depending upon the model.
- Product specifications or contents of this manual may be changed without prior notice due to upgrade of product functions.
- For an optimal connection, HDMI cables and USB devices should have bezels less than 10 mm (0.39 inches) thick and 18 mm (0.7 inches) width.
- Use an extension cable that supports USB 2.0 if the USB cable or USB flash drive does not fit into your TV's USB port.
- Use a certified cable with the HDMI logo attached. If you do not use a certified HDMI cable, the screen may not display or a connection error may occur.
- Recommended HDMI cable types
 - High-Speed HDMI®/TM cable
 - High-Speed HDMI®/TM cable with Ethernet



*A ≤ 10 mm (0.39 inches)
*B ≤ 18 mm (0.7 inches)



Owner's Manual

(For UB8000/UB8200 Series)



Power Cord
(Depending upon model.)

(For UB8300 Series)

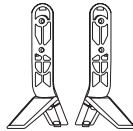


Stand Base
(See page 17.)

(For UB8300 Series)



Stand Screws
4 EA, M4 x L20
(See page 17.)



Stand Base
(See page 18.)



Stand Screws
4 EA, M4 x L21
(See page 18.)

(For 40UB8000, 49UB8200, 49UB8300)

(For UB9200 Series)

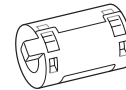


Stand Base, Stand Body
(See page 18.)

(For UB9200 Series)



Stand Screws
8 EA, M4 x L20
(See page 18.)



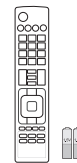
Ferrite core
(See page 13.)



Cable Holder
(See page 21.)



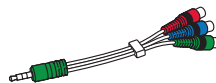
Cable Management
2 EA
(Depending upon model.)
(See page 21.)



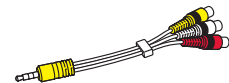
Remote Control, Batteries (AAA)
(See pages 32 and 33.)



Cinema 3D Glasses
The number of 3D glasses may differ depending upon the model or country.
(Depending upon model.)



Component Video Cable
(See page 26.)

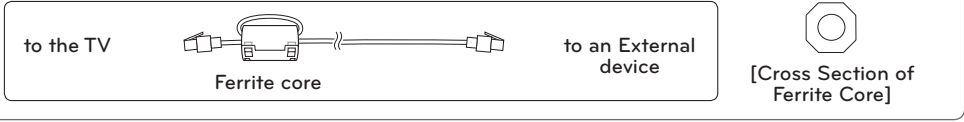


Composite Video Cable
(See pages 26 and 27.)

NOTE

(For 40UB8000, 49UB8200, 49UB8300)

- How to use the ferrite core (Depending upon model.)
- Use the ferrite core to reduce the electromagnetic interference in the LAN cable. Wind the LAN cable once on the ferrite core. Place the ferrite core close to the TV.



Optional Extras

Optional extras can be changed or modified for quality improvement without any notification. Contact your dealer for buying these items.

These devices only work with certain models.

The model name or design may be changed due to the manufacturer’s circumstances or policies.

AG-F***
Cinema 3D Glasses

AG-F*DP**
Dual Play Glasses

AN-MR500
Magic Remote

LG Audio Device

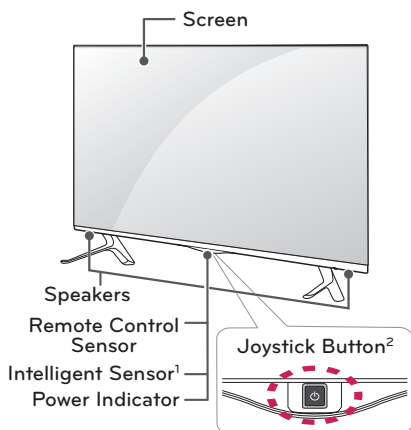
AN-VC5**
Video Call Camera
(Depending upon model.)

ENGLISH

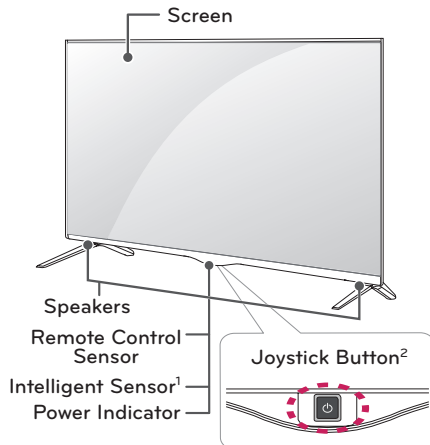
Compatibility	40UB8000 49UB8200 55UB8200 60UB8200 65UB9200	49UB8300 55UB8300
AG-F*** Cinema 3D Glasses		●
AG-F***DP Dual Play Glasses		●
AN-MR500 Magic Remote	●	●
AN-VC5** Video Call Camera (Depending upon model.)	●	●
LG Audio Device	●	●

Parts and Buttons

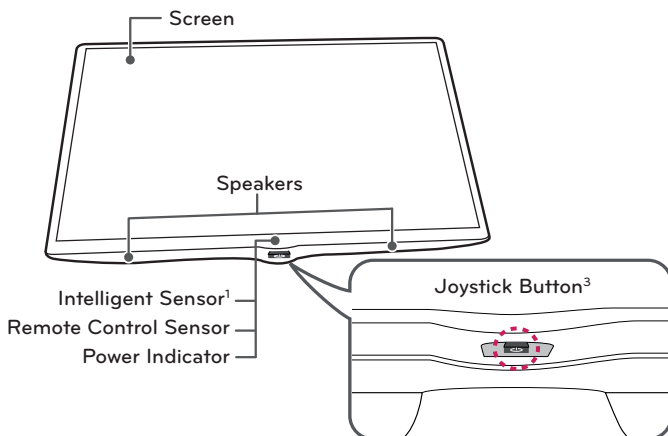
(For UB8000/UB8200 Series)



(For UB8300 Series)



(For UB9200 Series)



1. Intelligent sensor - Adjusts the image quality and brightness based on the surrounding environment.
2. Joystick button is located behind the screen of TV.
3. Joystick button is located below the screen of TV.





! NOTE

- You can set the power indicator light to on or off by selecting **OPTION** in the main menus. (Depending upon model)

Using the Joystick Button

You can operate the TV by pressing the button or moving the joystick left, right, up, or down.

Basic functions

	Power On	When the TV is turned off, place your finger on the joystick button, press it once, and release it.
	Power Off	When the TV is turned on, place your finger on the joystick button and press it once for a few seconds, and release it. (However, if the Menu button is on the screen, pressing and holding the joystick button will let you exit the Menu.)
	Volume Control	If you place your finger over the joystick button and move it left or right, you can adjust the volume level you want.
	Channels Control	If you place your finger over the joystick button and move it up or down, you can scroll through the saved channels you want.

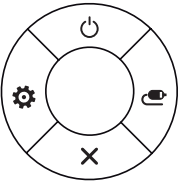




! NOTE

- When your finger over the joystick button and move it up, down, left, or right, be careful not to press the joystick button. If you press the joystick button first, you may not be able to adjust the volume level and/or scroll through saved channels.

Adjusting the menu

When the TV is turned on, press the joystick button one time.

You can adjust the Menu items (⏻, ⚙️, ✖️, 📺) moving the joystick button up, down, left, or right.

		TV off	Turns the power off.
		Settings	Accesses the main menu.
		Close	Clears on-screen displays and returns to TV viewing.
		Input List	Changes the input source.

Lifting and Moving the TV

When moving or lifting the TV, read the following to prevent the TV from being scratched or damaged and for safe transportation regardless of its type and size.

CAUTION

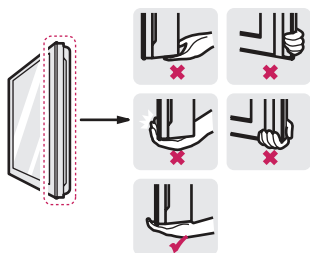
- Avoid touching the screen at all times, as this may result in damage to the screen.
- Do not place the product on the floor with its front facing down without padding. Failure to do so may result in damage to the screen.

- It is recommended to move the TV in the box or packing material that the TV originally came in.
- Before moving or lifting the TV, disconnect the power cord and all cables.

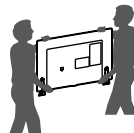
- When holding the TV, the screen should face away from you to avoid damage.



- Hold the top and bottom of the TV frame firmly. Make sure not to hold the transparent part, speaker, or speaker grill area.



- Use at least two people to move a large TV.
- When transporting the TV by hand, hold the TV as shown in the following illustration.



- When transporting the TV, do not expose the TV to jolts or excessive vibration.
- When transporting the TV, keep the TV upright; never turn the TV on its side or tilt towards the left or right.

Setting Up the TV

You can mount your TV to a wall or attach the stand if you wish to place the TV on an entertainment center or other furniture.

Attaching the Stand

If you are not mounting the TV to a wall, use the following instructions to attach the stand.

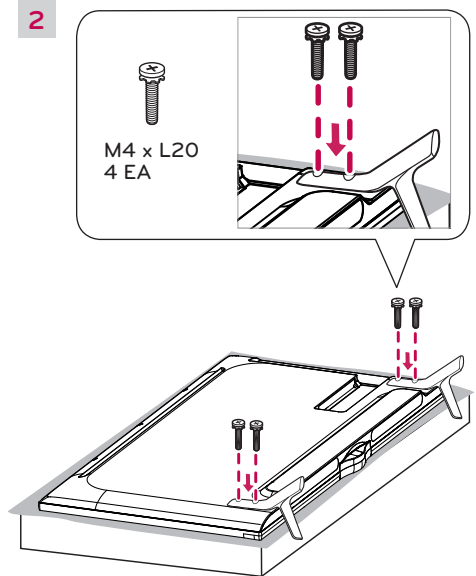
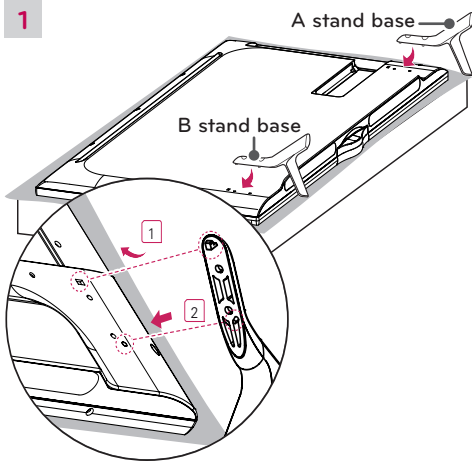
⚠ CAUTION

- When attaching the stand to the TV set, place the screen facing down on a cushioned table or flat surface to protect the screen from scratches.
- Make sure that the screws are fastened tightly. (If they are not fastened securely enough, the TV may tilt forward after being installed.)
- Do not fasten the screws with excessive force otherwise they may be worn out and become loose.

! NOTE

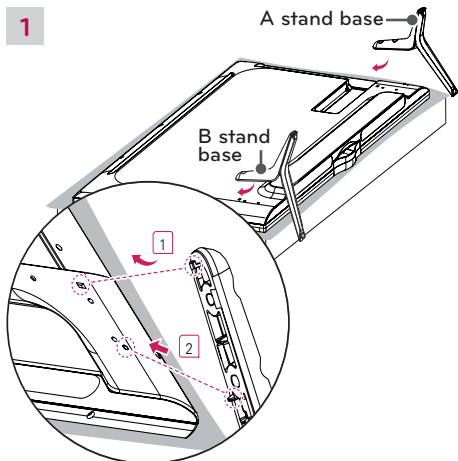
- Remove the stand before installing the TV on a wall mount by performing the stand attachment in reverse.

(For UB8000/UB8200 Series)

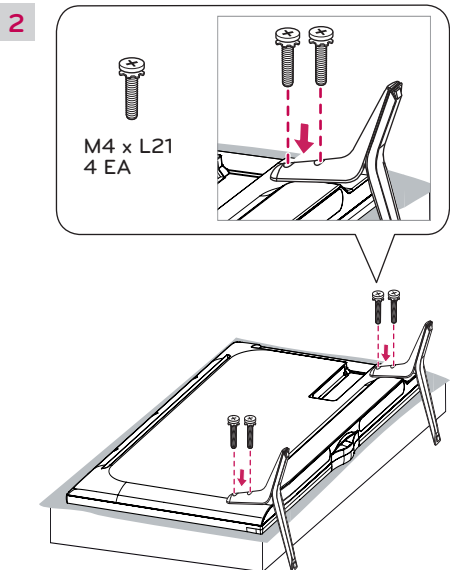


- 1 Attach the stand to the TV using the upper mounting hole on the back of the TV.
- 2 Attach the stand to the TV using the lower connection on the back of the TV.

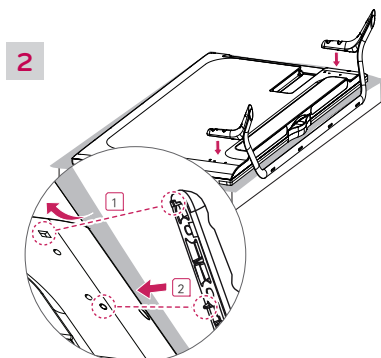
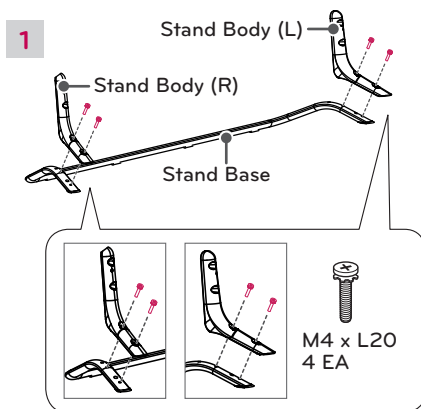
(For UB8300 Series)



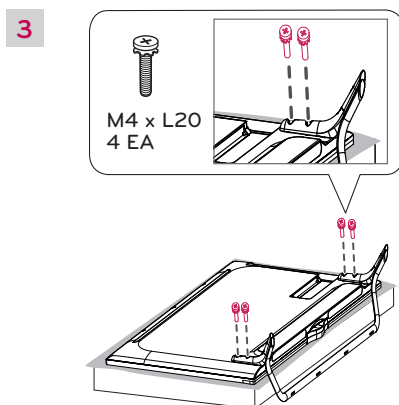
- 1 Attach the stand to the TV using the upper mounting hole on the back of the TV.
- 2 Attach the stand to the TV using the lower connection on the back of the TV.



(For UB9200 Series)

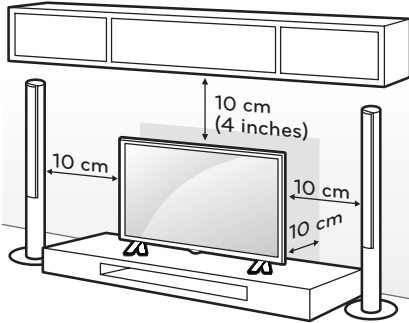


- 1 Attach the stand to the TV using the upper mounting hole on the back of the TV.
- 2 Attach the stand to the TV using the lower connection on the back of the TV.



Mounting on a Table

- 1 Lift and tilt the TV into its upright position on a table.
 - Leave a 10 cm (4 inches) (minimum) space from the wall for proper ventilation.



- 2 Connect the power cord to a wall outlet.

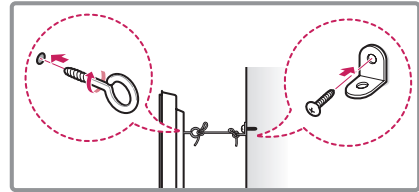
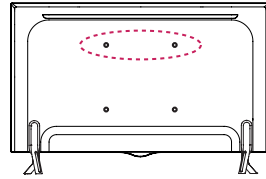


CAUTION

- Do not place the TV near or on sources of heat, as this may result in fire or other damage.

Securing the TV to a wall (optional)

(Depending upon model.)



- 1 Insert and tighten the eye-bolts, or TV brackets and bolts on the back of the TV.
 - If there are bolts inserted at the eye-bolts position, remove the bolts first.
- 2 Mount the wall brackets with the bolts to the wall. Match the location of the wall bracket and the eye-bolts on the rear of the TV.
- 3 Connect the eye-bolts and wall brackets tightly with a sturdy rope or cable. Make sure to keep the rope parallel to the flat surface.



CAUTION

- Make sure that children do not climb on or hang on the TV.

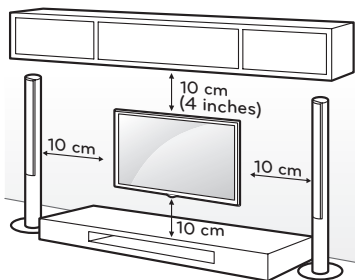


NOTE

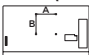
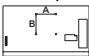
- Use a platform or cabinet that is strong and large enough to support the TV securely.
- Brackets, bolts, and ropes are optional. You can obtain additional accessories from your local dealer.


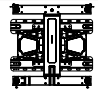
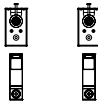
Mounting on a Wall

An optional wall mount can be used with your LG Television. Consult with your local dealer for a wall mount that supports the VESA standard used by your TV model. Carefully attach the wall mount bracket at the rear of the TV. Install the wall mount bracket on a solid wall perpendicular to the floor. If you are attaching the TV to other building materials, please contact qualified personnel to install the wall mount. Detailed instructions will be included with the wall mount. We recommend that you use an LG brand wall mount. When you do not use LG's wall mount bracket, please use a wall mount bracket where the device is adequately secured to the wall with enough space to allow connectivity to external devices.



Make sure to use screws and wall mounts that meet the VESA standard. Standard dimensions for the wall mount kits are described in the following table.

Model	40UB8000	
VESA (A x B)	200 x 200	
		
Standard screw	M6	
Number of screws	4	
Wall mount bracket (optional)	LSW240B MSW240	
Model	49/55UB8200 49/55UB8300	60UB8200 65UB9200
VESA (A x B)	400 x 400	400 x 400
		
Standard screw	M6	M6
Number of screws	4	4
Wall mount bracket (optional)	LSW440B MSW240	LSW440B

Wall mount bracket (optional)	
LSW240B	
LSW440B	
MSW240	

⚠ CAUTION

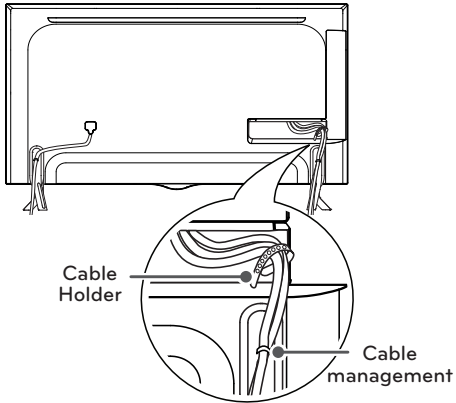
- Disconnect the power before moving or installing the TV. Otherwise electric shock may occur.
- If you install the TV on a ceiling or slanted wall, it may fall and result in severe injury. Use an authorized LG wall mount and contact the local dealer or qualified personnel. When using a third-party wall mount, it is not covered by the warranty.
- Do not over tighten the screws as this may cause damage to the TV and void your warranty.
- Use the screws and wall mounts that meet the VESA standard. Any damages or injuries by misuse or using an improper accessory are not covered by the warranty.

! NOTE

- Use the screws that are listed in the VESA standard screw specifications.
- The wall mount kit includes an installation manual and necessary parts.
- The wall mount bracket is optional. You can obtain additional accessories from your local dealer.
- The length of screws may differ depending upon the wall mount. Make sure to use the proper length.
- For more information, refer to the manual supplied with the wall mount.

Tidying Cables

Gather and bind the cables with the Cable Holder and Cable management .



CAUTION

- Do not move the TV by holding the cable holder and cable management, as the cable holders may break, and injuries and damage to the TV may occur.

MAKING CONNECTIONS

• This section uses illustrations of the UB8300 series.

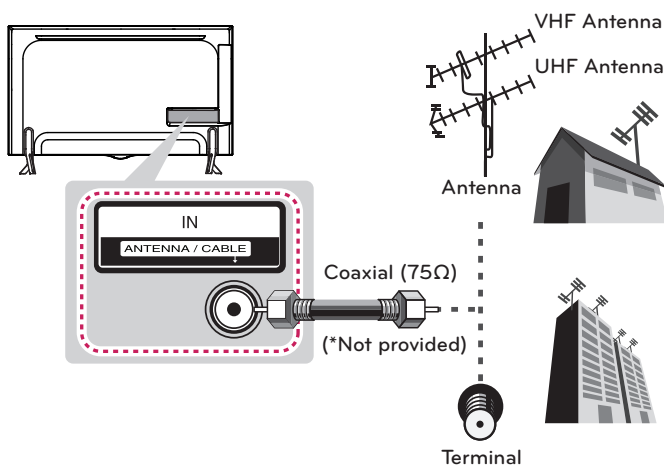
You can connect various external devices to the TV. Supported external devices are: HD receivers, DVD players, VCRs, audio systems, USB storage devices, PC, gaming devices, and other external devices. For more information on external device's connection, refer to the manual provided with each device.

! NOTE

- If you record a TV program on a DVD recorder or VCR, make sure to connect the TV signal input cable to the TV through a DVD recorder or VCR. For more information about recording, refer to the manual provided with the connected device.
- The external device connections shown may differ slightly from illustrations in this manual.
- Connect external devices to the TV regardless about the order of the TV port.
- If you connect a gaming device to the TV, use the cable supplied with the gaming device.
- Refer to the external equipment's manual for operating instructions.

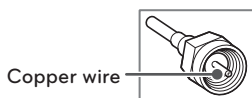
Connecting to an Antenna or Cable

Connect an antenna, cable, or cable box to watch TV while referring to the following. The illustrations may differ from the actual items and an RF cable is optional.



! CAUTION

- Make sure not to bend the copper wire of the RF cable.



- Complete all connections between devices, and then connect the power cord to the power outlet to prevent damage to your TV.

! NOTE

- Use a signal splitter to use 2 TVs or more.
- DTV Audio Supported Codec: MPEG, Dolby digital.
- This TV cannot receive UHD (3840 x 2160 pixels) broadcasts directly because the related standards have not been confirmed.

Connecting to an HD Receiver, DVD Player, or VCR

Connect a HD receiver, DVD player, or VCR to the TV and select an appropriate input mode.

HDMI Connection

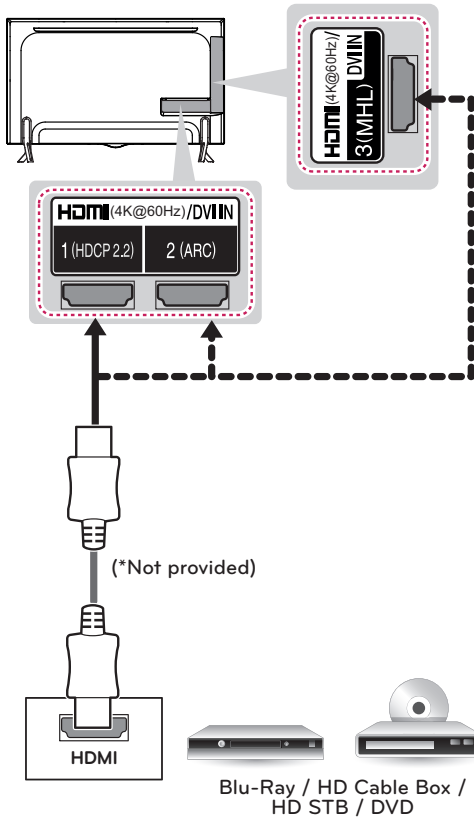
HDMI is the best way to connect a device.

Transmits digital video and audio signals from an external device to the TV. Connect the external device and the TV with the HDMI cable as shown in the following illustration.

NOTE

- Use the latest High Speed HDMI™ Cable that supports CEC (Customer Electronics Control) function.
- High Speed HDMI™ Cables are tested to carry an HD signal up to 1080p and higher.
- HDMI Audio Supported Format: PCM (32 kHz / 44.1 kHz / 48 kHz / 96 kHz / 192 kHz)

Choose any HDMI input port to connect.
It does not matter which port you use.



4K@ 60Hz Support Format

Resolution	Frame rate (Hz)	Color Depth / Chroma Sampling
3840 X 2160p	59.94	8 bit / YCbCr 4:2:0
4096 X 2160p	60.00	

ARC (Audio Return Channel)

- When connected with a high-speed HDMI cable, digital audio can be sent to a compatible device without an additional optical audio cable.
- ARC is only supported on the **HDMI (4K @ 60 Hz) / DVI IN 2 (ARC)** port. An external audio device that supports ARC should be connected to **HDMI (4K @ 60 Hz) / DVI IN 2 (ARC)** if you wish to use ARC.

DVI to HDMI Connection

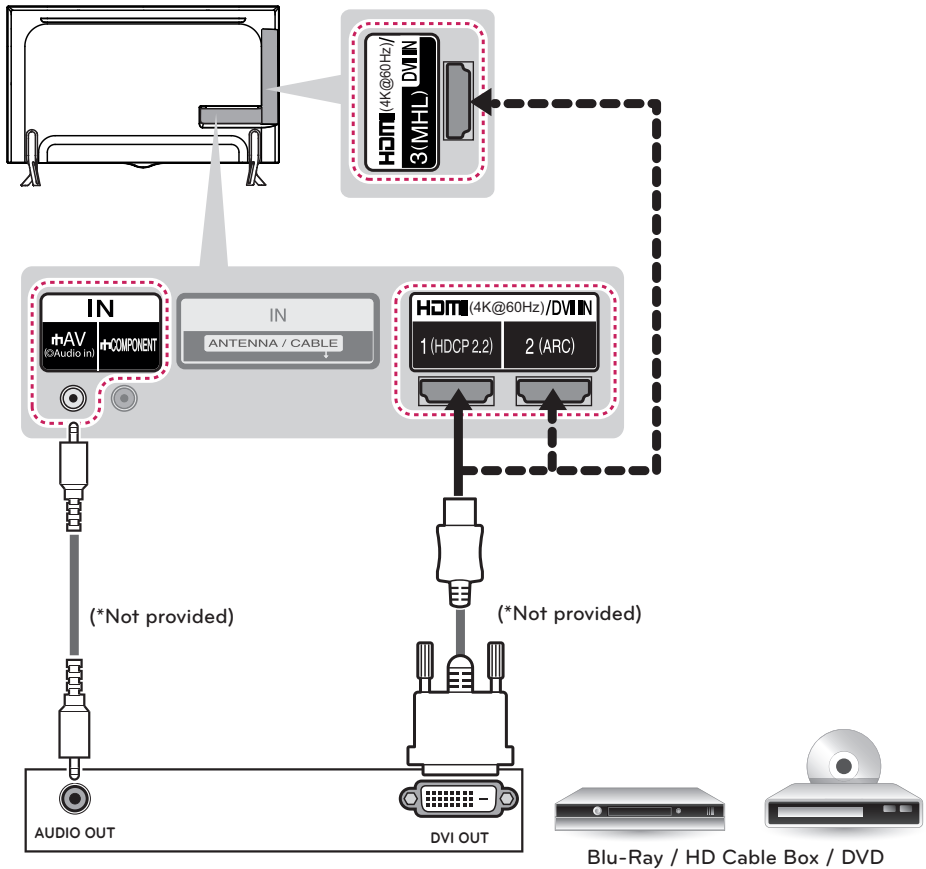
Transmits the digital video signal from an external device to the TV. Connect the external device and the TV with the DVI-HDMI cable as shown in the following illustration. To transmit an audio signal, connect an audio cable.

NOTE

- When using the HDMI/DVI cable, only single link is supported.

Choose any HDMI input port to connect.
It does not matter which port you use.

ENGLISH

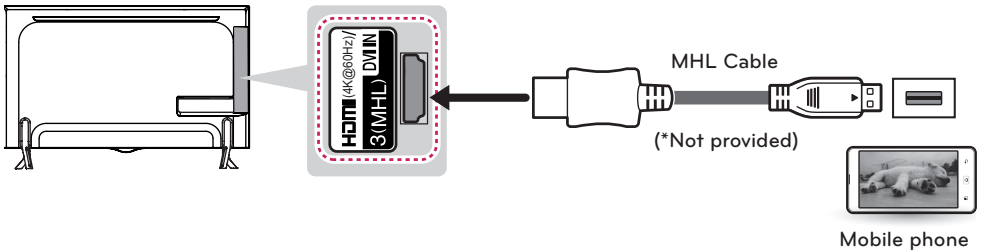


Connecting to a Mobile Phone

Mobile High-definition Link (MHL) is an interface for transmitting digital audio/visual signals from mobile phones to television sets.

! NOTE

- Connect the mobile phone to the **HDMI (4K @ 60Hz) / DVI IN 3 (MHL)** port to view the phone screen on the TV.
- This only works with an MHL-enabled phone.
- With some MHL supporting mobile phones, you can use the TV remote to control the phone.
- An MHL passive cable is needed to connect the TV and a mobile phone.
- Remove the MHL cable from the TV when:
 - the MHL function is disabled
 - your mobile device is fully charged in standby mode



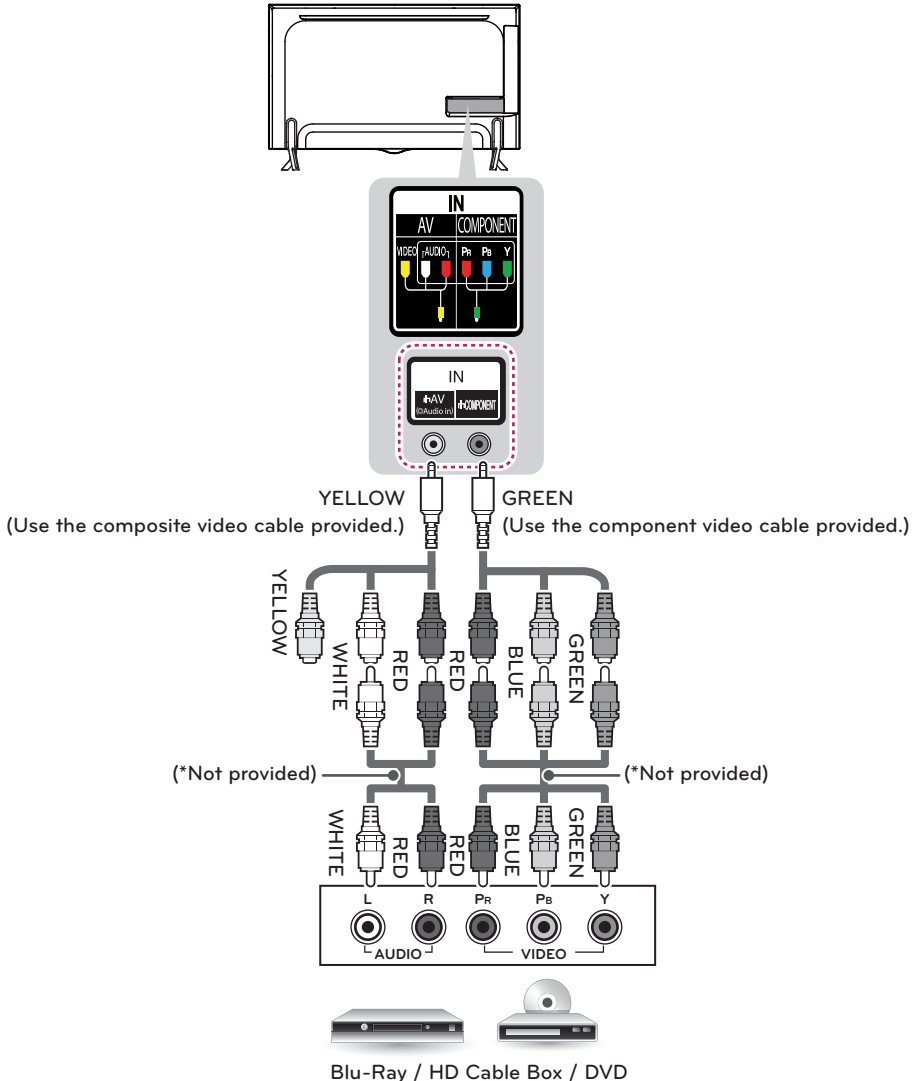
Component Connection

Transmits analog video and audio signals from an external device to the TV. Connect the external device and the TV with a component cable as shown in the following illustration.

NOTE

- If cables are installed incorrectly, it could cause the image to display in black and white or with distorted color.
- Check to ensure the cables are matched with the corresponding color connection.

ENGLISH



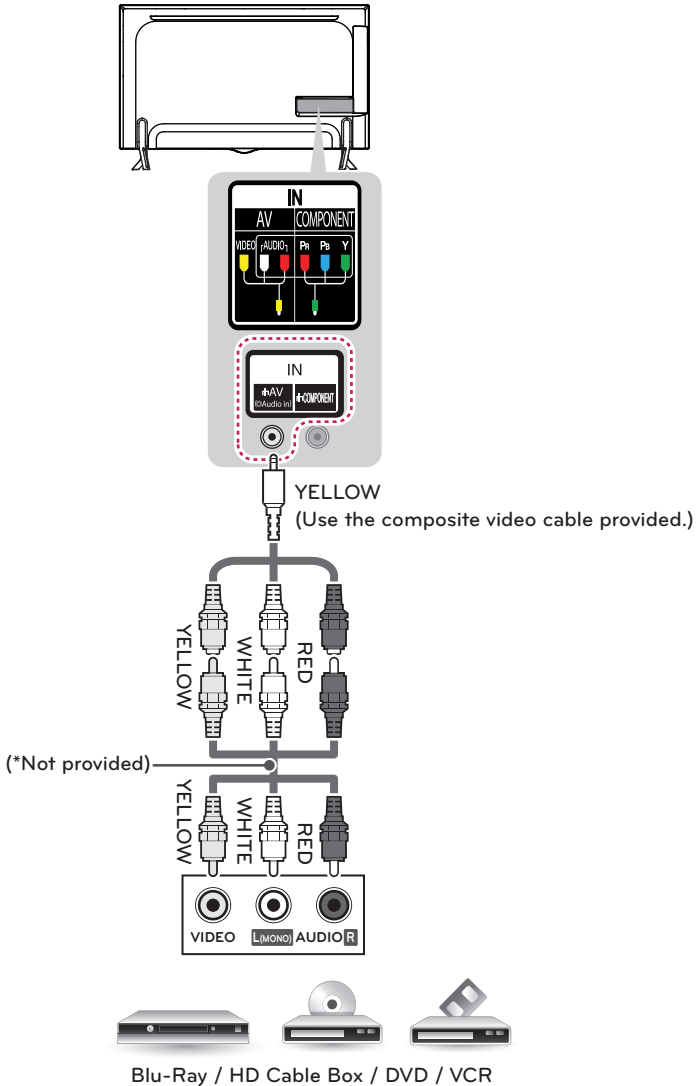
Blu-Ray / HD Cable Box / DVD

Composite Connection

Transmits analog video and audio signals from an external device to the TV. Connect the external device and the TV with the composite cable as shown in the following illustration.

! NOTE

- If you have a mono VCR, connect the audio cable from the VCR to the AUDIO L/MONO jack of the TV.
- Check to ensure the cables are matched with the corresponding color connection.



Connecting to a PC

! NOTE

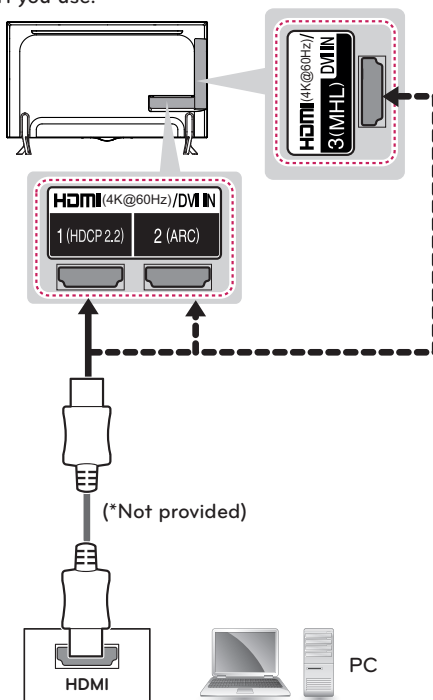
- It is recommended to use an HDMI connection for the best image quality.
- Depending upon the graphics card, DOS mode video may not work if a HDMI to DVI Cable is in use.
- In PC mode, there may be noise associated with the resolution, vertical pattern, contrast or brightness. If noise is present, change the PC output to another resolution, change the refresh rate to another rate or adjust the brightness and contrast on the PICTURE menu until the picture is clear.
- The synchronization input form for horizontal and vertical frequencies is separate.
- Depending upon the graphics card, some resolution settings may not allow the image to be positioned on the screen properly.
- If you are using DVI out from a PC, you have to connect analog audio separately. Refer to the instructions on the next page.
- When using the HDMI/DVI cable, only single link is supported.
- If Ultra HD content is played on your PC, video or audio may become disrupted intermittently depending upon your PC's performance.

HDMI Connection or DVI to HDMI Connection

Choose method A or B to make connection.

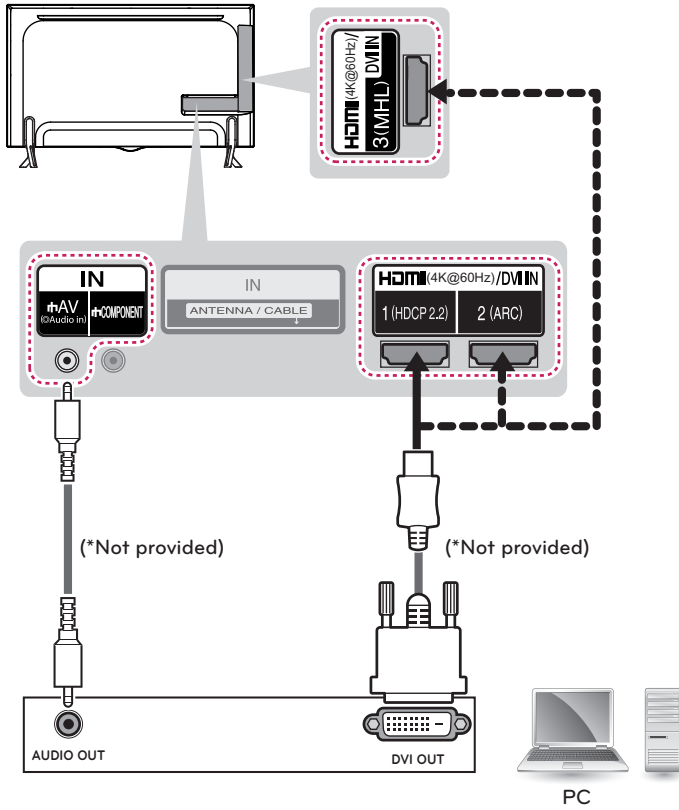
Method A: HDMI Connection

Choose any HDMI input port to connect.
It does not matter which port you use.



Method B: DVI to HDMI Connection

Choose any HDMI input port to connect.
It does not matter which port you use.



Connecting to an Audio System

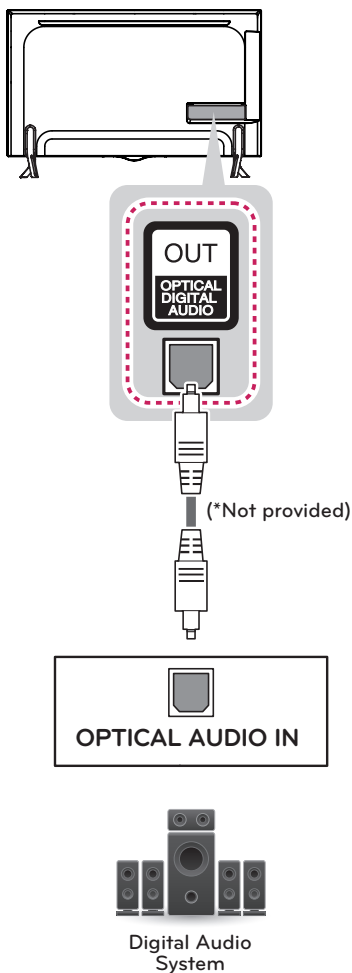
You can use an optional external audio system instead of the built-in speaker.

Digital Optical Audio Connection

Transmits a digital audio signal from the TV to an external device. Connect the external device and the TV with the optical audio cable as shown in the following illustration.

! NOTE

- Do not look into the optical output port. Looking at the laser beam may damage your vision.
- Audio with ACP (Audio Copy Protection) function may block digital audio output.

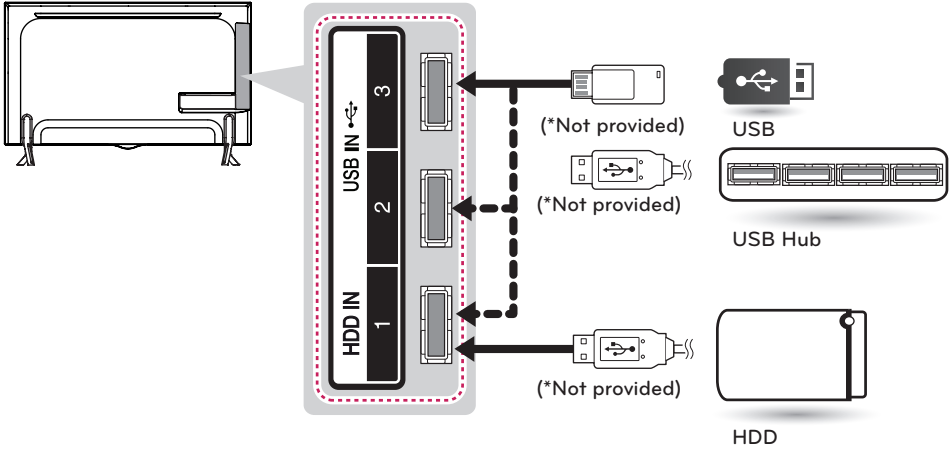


Connecting a USB Device

Connect a USB storage device such as USB flash memory, external hard drive, or a USB memory card reader to the TV.

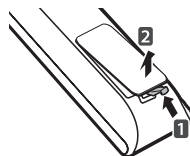
NOTE

- Some USB Hubs may not work. If a USB device connected through a USB Hub is not detected, connect it directly to the USB port on the TV.



REMOTE CONTROL

The descriptions in this manual are based on the buttons on the remote control. Please read this manual carefully and use the TV correctly. To install batteries, open the battery cover, replace batteries (1.5 V AAA) matching the \oplus and \ominus ends to the label inside the compartment, and close the battery cover. Failure to match the correct polarities of the battery may cause the battery to burst or leak, resulting in fire, personal injury, or ambient pollution. To remove the batteries, perform the installation actions in reverse.



⚠ CAUTION

- Do not mix old and new batteries, as this may damage the remote control.

This remote uses infrared light. When in use, it should be pointed in the direction of the TV's remote sensor.

(For UB8000/UB8200/UB9200 Series)

ENGLISH

⏻ (POWER) Turns the TV on or off.

CAPTION Activates or deactivates the subtitles.

AV MODE Selects an AV mode.

RATIO Resizes an image.

INPUT Changes the input source. Turns the TV on if it is off.

Number button Enters numbers.

- (Dash) Inserts a dash between numbers such as 2-1 and 2-2.

LIST Accesses the saved channel list.

FLASHBK Alternates between the two last channels selected (pressing repeatedly).

+ VOL - Adjusts the volume level.

FAV Accesses your favorite channel list.

INFO Shows information on the current program.

MUTE Mutes all sounds.

^ CH v Scrolls through the saved channels.

^ PAGE v Moves to the previous or next screen.

SETTINGS Accesses the main menu.

SMART Accesses the Home menu.

MY APPS Shows the list of Apps.

Navigation buttons (up/down/left/right) Scrolls through menus or options.

OK Selects menus or options and confirms your input.

← BACK Returns to the previous screen.

Q.MENU Accesses the quick menu.

EXIT Clears all on-screen displays and returns to TV viewing.

Color buttons These access special functions in some menus.
(●: Red, ●: Green, ●: Yellow, ●: Blue)

Control buttons (■, ▶, ||, ◀, ▶▶) Controls the SIMPLINK compatible devices (USB, SIMPLINK).

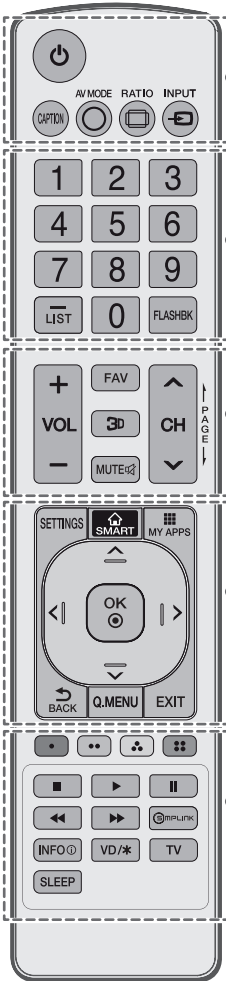
SIMPLINK Accesses the AV devices connected to the TV; Opens the SIMPLINK menu.

SLEEP Sets the length of time until the TV to turns off.

VD/* Enables VD function. SAP (Secondary Audio Program) feature can also be enabled by pressing the VD key.

TV Returns to the last TV channel.



(For UB8300 Series)

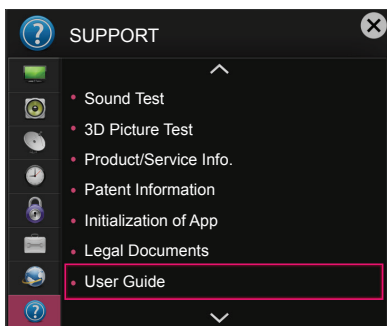


- ⏻ (POWER)** Turns the TV on or off.
- CAPTION** Activates or deactivates the subtitles.
- AV MODE** Selects an AV mode.
- RATIO** Resizes an image.
- INPUT** Changes the input source. Turns the TV on if it is off.
- Number button** Enters numbers.
- (Dash)** Inserts a dash between numbers such as 2-1 and 2-2.
- LIST** Accesses the saved channel list.
- FLASHBK** Alternates between the two last channels selected (pressing repeatedly).
- + VOL -** Adjusts the volume level.
- FAV** Accesses your favorite channel list.
- 3D** Used for viewing 3D video.
- MUTE** Mutes all sounds.
- ^ CH v** Scrolls through the saved channels.
- ^ PAGE v** Moves to the previous or next screen.
- SETTINGS** Accesses the main menu.
- SMART** Accesses the Home menu.
- MY APPS** Shows the list of Apps.
- Navigation buttons (up/down/left/right)** Scrolls through menus or options.
- OK** Selects menus or options and confirms your input.
- ↶ BACK** Returns to the previous screen.
- Q.MENU** Accesses the quick menu.
- EXIT** Clears all on-screen displays and returns to TV viewing.
- Color buttons** These access special functions in some menus.
(**Red**): Red, (**Green**): Green, (**Yellow**): Yellow, (**Blue**): Blue)
- Control buttons (■, ▶, ||, ◀, ▶▶)** Controls the SIMPLINK compatible devices (USB, SIMPLINK).
- SIMPLINK** Accesses the AV devices connected to the TV; Opens the SIMPLINK menu.
- INFO** Shows information on the current program.
- VD/*** Enables VD function. SAP (Secondary Audio Program) feature can also be enabled by pressing the VD key.
- TV** Returns to the last TV channel.
- SLEEP** Sets the length of time until the TV to turn off.

USING THE USER GUIDE

User Guide allows you to more easily access the detailed TV information.

- 1 Press **SMART**  button to access the Home menu.
- 2 Select **SETTINGS** → **SUPPORT**.
- 3 Select **User Guide** and press the **OK**  button.



EXTERNAL CONTROL DEVICE SETUP

To obtain the external control device setup information, please visit www.lg.com.

SPECIFICATIONS

Product specifications may be changed without prior notice due to upgrade of product functions.

Television System		ATSC, NTSC-M, 64 & 256 QAM
Program Coverage		VHF 2-13, UHF 14-69, DTV 2-69, CATV 1-135, CADTV 1-135
External Antenna Impedance		75 Ω
Environment condition	Operating Temperature	0 °C to 40 °C (32 °F to 104 °F)
	Operating Humidity	Less than 80 %
	Storage Temperature	-20 °C to 60 °C (-4 °F to 140 °F)
	Storage Humidity	Less than 85 %

MODELS		40UB8000 (40UB8000-UB)
Dimensions (W x H x D)	With stand	900 x 568 x 217 (mm)
		35.4 x 22.3 x 8.5 (inches)
	Without stand	900 x 529 x 48.0 (mm)
		35.4 x 20.8 x 1.8 (inches)
Weight	With stand	10.9 kg (24.0 lbs)
	Without stand	10.6 kg (23.3 lbs)
Current Value / Power consumption		1.0 A / 100 W
Power requirement		AC 100 - 240 V ~ 50 / 60 Hz

MODELS		49UB8200 (49UB8200-UH)	55UB8200 (55UB8200-UH)
		49UB8300 (49UB8300-UG)	55UB8300 (55UB8300-UG)
Dimensions (W x H x D)	With stand	1,093 x 684 x 248 (mm)	1,233 x 766 x 248 (mm)
		43.0 x 26.9 x 9.7 (inches)	48.5 x 30.1 x 9.7 (inches)
	Without stand	1,093 x 646 x 38.2 (mm)	1,233 x 727 x 37.8 (mm)
		43.0 x 25.4 x 1.5 (inches)	48.5 x 28.6 x 1.4 (inches)
Weight	With stand	18 kg (39.6 lbs)	21 kg (46.2 lbs)
	Without stand	17.5 kg (38.5 lbs)	20.5 kg (45.1 lbs)
Current Value / Power consumption		1.8 A / 180 W	1.9 A / 190 W
Power requirement		AC 100 - 240 V ~ 50 / 60 Hz	

MODELS		60UB8200 (60UB8200-UH)
Dimensions (W x H x D)	With stand	1,341 x 830 x 271 (mm)
		52.7 x 32.6 x 10.6 (inches)
	Without stand	1,341 x 788 x 39.1 (mm)
		52.7 x 31.0 x 1.5 (inches)
Weight	With stand	26.3 kg (57.9 lbs)
	Without stand	25.8 kg (56.8 lbs)
Current Value / Power consumption		2.0 A / 200 W
Power requirement		AC 100 - 240 V ~ 50 / 60 Hz

MODELS		65UB9200 (65UB9200-UC)
Dimensions (W x H x D)	With stand	1,452 x 914 x 300 (mm)
		57.1 x 35.9 x 11.8 (inch)
	Without stand	1,452 x 858 x 37 (mm)
		57.1 x 33.7 x 1.4 (inch)
Weight	With stand	34.8 kg (76.7 lbs)
	Without stand	33.7 kg (74.2 lbs)
Current Value / Power consumption		2.3 A / 230 W
Power requirement		AC 120 V~ 50 / 60 Hz

Wireless module (LGSBW41) Specifications			
Wireless LAN		Bluetooth	
Standard	IEEE 802.11a/b/g/n	Standard	Bluetooth Version 3.0
Frequency range	2400 to 2483.5 MHz 5150 to 5250 MHz 5725 to 5850 MHz	Frequency range	2400 to 2483.5 MHz
Output power(Max.)	802.11a: 11.5 dBm 802.11b: 11 dBm 802.11g: 10.5 dBm 802.11n - 2.4 GHz: 11 dBm 802.11n - 5 GHz: 12.5 dBm	Output power(Max.)	10 dBm or Lower
<ul style="list-style-type: none"> Because band channel used by the country could be different, the user can not change or adjust the operating frequency and this product is set for the regional frequency table. This device should be installed and operated with minimum distance 20 cm (7.8 inch) between the device and your body. And this phrase is for the general statement for consideration of user environment. Contains FCC ID: BEJLGSBW41 / Contains IC: 2703H-LGSBW41 			

MAINTENANCE

Cleaning Your TV

Clean your TV regularly to keep it at peak performance and to extend the product's lifespan.



CAUTION

- Before cleaning, turn the power off and disconnect the power cord and all other cables.
- When the TV is left unattended or unused for a long time, disconnect the power cord from the wall outlet to prevent possible damage from lightning or power surges.

Screen, Frame, Cabinet, and Stand

To remove dust or light dirt, wipe the surface with a dry, clean, and soft cloth.

To remove major dirt, wipe the surface with a soft cloth dampened in clean water or a diluted mild detergent. Then wipe immediately with a dry cloth.



CAUTION

- Do not push, rub, or hit the surface with your fingernail or a sharp object, as this may result in scratches on the screen and image distortions.
- Do not use any chemicals, such as waxes, benzene, alcohol, thinners, insecticides, air fresheners, or lubricants, as these may damage the screen's finish and cause discoloration.
- Do not spray liquid onto the surface. If water enters the TV, it may result in fire, electric shock, or malfunction.

Power Cord

Remove the accumulated dust or dirt on the power cord regularly.

TROUBLESHOOTING

Problem	Solution
Cannot control the TV with the remote control.	<ul style="list-style-type: none"> • Check if anything such as tape has been placed over the receiver. • Check if there is any obstacle between the product and the remote control. • Replace the batteries with new fresh ones.
No image display and no sound is produced.	<ul style="list-style-type: none"> • Check if the product is turned on. • Check if the power cord is connected to a wall outlet. • Check if there is a problem in the wall outlet by connecting other products.
The TV turns off suddenly.	<ul style="list-style-type: none"> • Check the power control settings. The power supply may be interrupted. • Check if the Sleep Timer / Off Time is activated in the TIME settings. • If there is no signal while the TV is on, the TV will turn off automatically after 15 minutes of inactivity.



The model and serial numbers of the TV are located on the back and on one side of the TV. Record them below should you ever need service.

MODEL _____

SERIAL _____

(For 40UB8000, 60UB8200)



This product qualifies for ENERGY STAR in the factory default (Home Use) setting. Changing the factory default settings or enabling other features may increase power consumption that could exceed the limits necessary to qualify for ENERGY STAR. Refer to ENERGYSTAR.gov for more information on the ENERGY STAR program.



MANUAL DEL USUARIO

TELEVISOR LED*

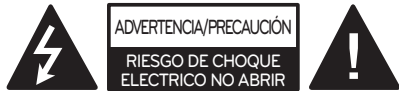
* Los televisores con LED de LG tienen pantallas LCD con luces de fondo LED.

Lea atentamente este manual antes de poner en marcha el equipo y consérvelo para futuras consultas.

40UB8000	49UB8200	49UB8300	65UB9200
	55UB8200	55UB8300	
	60UB8200		

INSTRUCCIONES DE SEGURIDAD IMPORTANTES

Siga siempre estas instrucciones para evitar situaciones peligrosas y garantizar el rendimiento máximo del producto.



PARA REDUCIR EL RIESGO DE DESCARGAS ELÉCTRICAS, NO quite la cubierta (o la parte posterior). EL USUARIO NO PUEDE CAMBIAR NI REPARAR LOS COMPONENTES INTERNOS. CONSULTE ÚNICAMENTE AL PERSONAL DE SERVICIO CALIFICADO.

⚡ El símbolo de relámpago con una punta de flecha, dentro de un triángulo equilátero, tiene como fin alertar al usuario sobre la presencia en el producto de voltaje peligroso sin aislar que puede tener la potencia suficiente para presentar riesgo de descargas eléctricas a los usuarios.

⚠ El signo de admiración dentro de un triángulo equilátero tiene el fin de alertar al usuario sobre la presencia de instrucciones importantes de funcionamiento y de mantenimiento (servicio) en el folleto que acompaña al equipo.

ADVERTENCIA/PRECAUCIÓN

- PARA REDUCIR EL RIESGO DE INCENDIOS O DESCARGAS ELÉCTRICAS, NO EXPONGA EL PRODUCTO A LA LLUVIA O LA HUMEDAD.

⚠ ADVERTENCIA

Si ignora el mensaje de advertencia, puede sufrir lesiones graves, accidentes o la muerte.

⚠ PRECAUCIÓN

Si ignora el mensaje de precaución, puede sufrir heridas leves o provocar daños en el producto.

ⓘ NOTA

La nota le ayuda a comprender y a utilizar el producto de forma segura. Lea la nota cuidadosamente antes de utilizar el producto.

Lea estas instrucciones.
 Conserve estas instrucciones.
 Siga todas las instrucciones.
 Preste atención a las advertencias.



- No use el aparato cerca del agua.



- Limpie únicamente con un paño seco.



- No tape ni bloquee las aberturas de ventilación. Realice la instalación siguiendo las instrucciones del fabricante.



- No instale el producto cerca de fuentes de calor como radiadores, rejillas de calefacción central, estufas u otro tipo de aparatos que emitan calor (incluidos los amplificadores).



- No anule el propósito de seguridad del enchufe polarizado o del enchufe a tierra. Un enchufe polarizado tiene dos clavijas, una más ancha que la otra. Un enchufe a tierra tiene dos clavijas y un tercer terminal de puesta a tierra. La clavija ancha o el terminal de puesta a tierra se proveen para proteger al usuario. Si el enchufe del equipo no entra en la toma, consulte a un electricista para cambiar el tomacorriente (puede variar según el país).



- No ejerza demasiada presión sobre el panel con la mano ni con objetos punzantes, como un clavo, una lapicera o un lápiz, ni raye la superficie.



- Asegúrese de que el cable de alimentación esté protegido para evitar que lo pisen o aplasten, especialmente en los enchufes, los tomacorrientes o el punto de salida desde el aparato.



- Use únicamente los accesorios recomendados por el fabricante.



- Use el producto únicamente en mesas portátiles, pies, trípodes, soportes o mesas indicados por el fabricante o provistos con el aparato. Al emplear una mesa portátil, tenga cuidado al moverla con el aparato encima, para evitar daños por caídas.



- Desenchufe el aparato durante tormentas eléctricas o si no planea usarlo durante un periodo prolongado.



- Consulte todas las cuestiones de servicio de mantenimiento al personal de servicio calificado. El servicio es necesario cuando el aparato sufre algún tipo de daño, por ejemplo, cuando un cable de suministro eléctrico o un conector está dañado, se derrama líquido o se cae un objeto dentro del aparato, el aparato se expone a la lluvia o a la humedad, no funciona en forma normal o sufre una caída.



- No inserte objetos de metal u otro material conductor en el cable de alimentación. No toque el extremo del cable de alimentación mientras esté enchufado.
- Mantenga el material de empaque contra la humedad y el empaque de vinilo fuera del alcance de los niños. El material contra la humedad es dañino si se ingiere. Si se ingiere por error, se debe inducir el vómito e ir al hospital más cercano. Además, el empaque de vinilo puede provocar asfixia. Manténgalo fuera del alcance de los niños.

- **PRECAUCIÓN** con respecto al cable de alimentación (puede variar según el país): Consulte la página de especificaciones en el manual del usuario. No conecte demasiados aparatos a la misma toma de ca dado que podría provocar incendios o descargas eléctricas. No sobrecargue los tomacorrientes de la pared. Asegúrese de que los tomacorrientes de la pared no estén sobrecargados, sueltos ni dañados, y que los alargues, los cables de alimentación y el aislamiento de los cables no estén desgastados, ya que estas condiciones son peligrosas. Cualquiera de estos casos podría provocar incendios o descargas eléctricas. Examine regularmente el cable del aparato; si le parece que está dañado o deteriorado, desenchúfelo y no use más ese cable. Llame al personal de servicio técnico autorizado para que lo reemplace por uno exactamente igual. Proteja el cable de alimentación de daños físicos o mecánicos, es decir, que no se tuerza, doble, deforme, que no quede atrapado al cerrar una puerta y que no lo pisen. Preste especial atención a los enchufes, tomacorrientes de la pared y al punto de salida del cable en el aparato. No mueva el televisor con el cable de alimentación enchufado. No use un cable de alimentación que esté suelto o dañado. Al desenchufar el cable, asegúrese de hacerlo desde el enchufe. No tire del cable para desenchufar el televisor.



- **Advertencia** - para disminuir los riesgos de incendio o descargas eléctricas, no exponga el producto a la lluvia, la humedad u otro tipo de líquidos. No toque el televisor con las manos mojadas. No instale el producto cerca de objetos inflamables como combustible o velas, ni lo exponga al aire acondicionado directo.

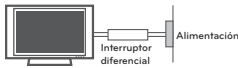


- No exponga el producto a ningún tipo de goteo ni salpicaduras, y no coloque sobre o por encima del televisor (por ejemplo, en estantes que pudieran encontrarse arriba de la unidad) ningún tipo de objeto que contenga líquido, como floreros, tazas, etc.



• **Puesta a tierra**

(Excepto dispositivos sin conexión a tierra.) Asegúrese de que el cable de puesta a tierra esté conectado para evitar descargas eléctricas (es decir, un televisor con un enchufe de ca de tres clavijas debe conectarse a un tomacorriente de ca con puesta a tierra de tres clavijas). Si no puede colocarse ninguna puesta a tierra, solicite a un electricista calificado que instale un disyuntor. No intente improvisar una puesta a tierra con conexiones a cables de teléfono, pararrayos o tuberías de gas.

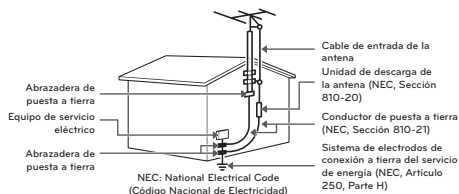


- Mientras la unidad esté conectada al tomacorriente de ca de la pared, no se desconectará de la fuente de alimentación de ca aún cuando el aparato esté apagado.
- No intente modificar este producto de ninguna manera sin autorización previa por escrito de LG Electronics. Cualquier tipo de modificación sin autorización previa podría anular la autoridad del usuario para usar el producto.

• **Puesta a tierra con una antena exterior**

(puede variar según el país): Si instala una antena exterior, tome las siguientes precauciones. No se debe instalar el sistema de antena exterior cerca de las líneas aéreas de transmisión de energía, de ningún circuito o luz eléctrica, ni en ningún lugar donde pudiera entrar en contacto con este tipo de cables eléctricos o circuitos, dado que podría provocar daños graves o incluso la muerte. Asegúrese de que el sistema de antena tenga una puesta a tierra para proteger contra sobretensiones y acumulaciones de cargas estáticas. La Sección 810 del Código Nacional de Electricidad (NEC) de los Estados Unidos establece la forma de realizar una puesta a tierra correcta del mástil, de la estructura de soporte, del cable de bajada a una unidad de descarga de la antena, el tamaño de los conductores de puesta a tierra, la ubicación de la unidad de descarga de la antena, y la conexión y los requisitos de los electrodos de puesta a tierra.

Puesta a tierra de la antena según el Código Nacional de Electricidad, ANSI/NFPA 70



• **Limpieza**

Al efectuar la limpieza, desenchufe el cable de alimentación y limpie suavemente con un paño suave para no rayar la superficie. No rocíe con agua ni otros líquidos directamente sobre el televisor, dado que podría provocar una descarga eléctrica. No limpie con productos químicos como alcohol, diluyentes o bencina.

• **Traslados**

Asegúrese de que el aparato esté apagado, desenchufado y que no quede ningún cable conectado. Es posible que se necesiten dos personas para trasladar los televisores de gran tamaño. No ejerza presión ni empuje el panel frontal del televisor.

• **Ventilación**

Instale el televisor en un lugar bien ventilado. No lo coloque en un lugar cerrado como, por ejemplo, un estante para libros. No cubra el producto con telas ni ningún otro material mientras esté enchufado. No lo instale en lugares con demasiado polvo.

- Si huele humo u otros olores que provienen de la TV, desconecte el cable de alimentación y comuníquese con un centro de servicio autorizado.
- Mantenga el aparato alejado de la luz solar directa.
- Nunca toque el aparato o la antena durante una tormenta eléctrica o con truenos.
- Al montar el televisor en la pared, asegúrese de que los cables de alimentación y de señal no queden colgando en la parte posterior.
- No permita que se golpee el producto o que algún objeto se caiga dentro de él, ni que se golpee la pantalla.

• **DESCONEXIÓN DEL DISPOSITIVO DE LA ALIMENTACIÓN PRINCIPAL**

El enchufe de alimentación se desconecta del dispositivo. En caso de una emergencia, el enchufe debe estar siempre accesible.

• **Baterías**

- Guarde los accesorios (baterías, etc.) en un lugar seguro lejos del alcance de los niños.
- Este aparato usa baterías. Puede ser que en su comunidad existan normativas que requieren que deseche estas baterías de forma correcta debido a las consideraciones ambientales. Póngase en contacto con la autoridad local para obtener información acerca del desecho o reciclaje.
- No deseche las baterías en el fuego.
- No provoque cortes de circuitos, desarme ni permita que las baterías se sobrecalienten.
- No utilice equipo de alto voltaje cerca de la TV, (por ejemplo, matamoscas). Esto puede causar que el producto funcione mal.

- **Aparición de puntos**

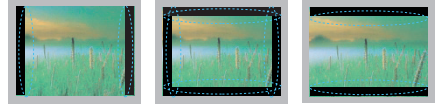
El panel es un producto de alta tecnología con una resolución de entre dos y seis millones de píxeles. En raras ocasiones, es posible que note la presencia de pequeños puntos en la pantalla mientras mira televisión. Estos puntos son píxeles desactivados y no afectan el rendimiento ni la fiabilidad del televisor.

- **Reproducción de ruidos**

Crujidos: es posible que se produzcan crujidos cuando esté mirando televisión o al apagar el televisor; se trata de un ruido generado por la contracción térmica del plástico debido a la temperatura y la humedad. Este ruido es común en productos donde se requiere la deformación térmica. Zumbidos en el circuito eléctrico o el panel: se trata de un ruido de bajo nivel, generado por un circuito de conmutación de alta velocidad, que suministra una gran cantidad de corriente para que un producto pueda funcionar. Varía según cada producto. Este ruido no afecta el rendimiento ni la fiabilidad del producto.

- Tenga cuidado de no tocar las aberturas de ventilación. Al mirar televisión durante largos periodos, las aberturas de ventilación pueden calentarse. Esto no afecta el rendimiento ni causa defectos en el producto.
- No instale este producto en una pared si podría ser expuesto a aceite o vapor de aceite. Esto podría dañar el producto y hacer que se caiga.
- Si siente que el televisor está frío al tocarlo, es posible que ocurra un pequeño parpadeo cuando lo prenda. Se trata de algo normal y no significa que el televisor esté dañado. También es posible que aparezcan pequeños puntos en la pantalla, de color rojo, verde o azul. Sin embargo, no afectan el rendimiento del televisor. No toque la pantalla LCD ni coloque los dedos sobre ella durante mucho tiempo. Esto podría producir algunos efectos de distorsión temporales en la pantalla.

Cómo evitar el efecto de degradación de la imagen por sobreexposición o quemadura de pantalla del televisor



- Si se muestra una imagen fija en la pantalla del televisor durante un período largo, esta quedará impresa y se convertirá en una distorsión permanente de la pantalla. A este desperfecto se lo conoce como degradación de la imagen por sobreexposición o quemadura de pantalla y no está cubierto por la garantía.
- Si la relación de aspecto del televisor se establece durante mucho tiempo en 4:3 se puede producir una degradación de imagen en las zonas de bandas del formato buzón.
- Evite emitir imágenes fijas en la pantalla del televisor durante períodos prolongados (2 horas o más para LCD, 1 hora o más para TV de plasma) para evitar la degradación de imagen.

Para Estados Unidos y Canadá

AVISO DE LA FCC

Este equipo ha sido evaluado y cumple con los límites para dispositivos digitales clase B, conforme el artículo 15 de las reglas de la FCC. Estos límites han sido diseñados para brindar una protección razonable contra la interferencia dañina en una instalación residencial. Este equipo genera, utiliza y puede irradiar energía de radiofrecuencia y, si no se instala y no se utiliza de acuerdo con las instrucciones, podría causar interferencia dañina a las comunicaciones radiales. Sin embargo, no existe garantía de que la interferencia no se produzca en una instalación en particular. Si este equipo ocasiona interferencia dañina en la recepción de radio o televisión (lo cual puede determinarse encendiendo y apagando el equipo), se recomienda al usuario que intente corregir la interferencia tomando una o más de las siguientes medidas:

- Reoriente o reubique la antena receptora.
- Aumente la distancia entre el equipo y el receptor.
- Conecte el equipo en un tomacorriente de un circuito diferente de aquél al que esté conectado el receptor.
- Consulte al distribuidor o a un técnico de radio/TV experimentado para obtener ayuda.

Este dispositivo cumple con el artículo 15 de las reglas de la FCC. El funcionamiento está sujeto a las dos condiciones siguientes: (1) este dispositivo no puede causar interferencia dañina y (2) este dispositivo debe aceptar cualquier interferencia que reciba, incluida la interferencia que pueda causar un funcionamiento no deseado. Cualquier tipo de modificación o cambio en la construcción del dispositivo sin autorización expresa del supervisor responsable podría anular la autoridad del usuario para utilizar el producto.

NOTA PARA EL INSTALADOR DE CATV

Se recomienda al instalador de televisión por cable (CATV) que consulte el Artículo 820-40 del Código Nacional de Electricidad de los Estados Unidos. El código establece las disposiciones para efectuar una puesta a tierra correcta, y en especial, indica que el cable de puesta a tierra debe conectarse al sistema de puesta a tierra del edificio lo más cerca posible del punto de entrada del cable.

Ver imágenes en 3D (en televisores 3D)

ADVERTENCIA

Entorno de visualización

- Tiempo de visualización
 - Cuando vea contenido en 3D, tome un descanso de 5 a 15 minutos cada hora. Ver contenido en 3D durante un período prolongado puede causar dolor de cabeza, mareos, fatiga o fatiga visual.

Personas que experimenten convulsiones por fotosensibilidad o enfermedades crónicas

- Algunos usuarios pueden experimentar convulsiones o síntomas anormales cuando se exponen a una luz destellante o a un patrón específico proveniente de contenido en 3D.
- No vea videos en 3D si experimenta náuseas, si está embarazada o sufre de una enfermedad crónica como epilepsia, afecciones cardíacas o enfermedades relacionadas con la presión arterial, etc.
- Se recomienda que las personas que sufran de ceguera estereoscópica o anomalías estereoscópicas no vean contenido en 3D. Puede experimentar imágenes dobles o incomodidad al ver contenido en 3D.
- Si sufre de estrabismo (visión cruzada), ambliopía (ojo vago) o astigmatismo, puede experimentar problemas al percibir la profundidad y sentir fatiga con facilidad debido a las imágenes dobles. Se recomienda tomar descansos más frecuentes que el adulto promedio.
- Si su vista experimenta variaciones entre su ojo derecho y su ojo izquierdo, realícese un examen a la vista antes de ver contenido en 3D.

Síntomas que requieren discontinuación o abstinencia de ver contenido en 3D

- No vea contenido en 3D cuando experimente fatiga debido a falta de sueño, exceso de trabajo o por el consumo de bebidas alcohólicas.
- Si experimenta éstos síntomas, deje de ver contenido en 3D y descanse hasta que los síntomas desaparezcan.
 - Consulte a su médico si los síntomas persisten. Entre los síntomas se pueden encontrar dolor de cabeza, dolor ocular, mareos, visión borrosa, incomodidad, imágenes dobles, incomodidad visual o fatiga.

 **PRECAUCIÓN****Entorno de visualización**

- Distancia de visualización
 - Mantenga una distancia de al menos dos veces la longitud diagonal de la pantalla cuando vea contenido en 3D. Si siente incomodidad al ver contenido en 3D, aléjese del TV.

Edad de visualización recomendada

- Infantes / Niños
 - Se prohíbe el uso y visualización de contenido en 3D a niños menores de 5 años de edad.
 - Los niños menores de 10 años de edad pueden reaccionar exageradamente y alborotarse demasiado debido a que su visión se encuentra en desarrollo (por ejemplo: tratar de tocar la pantalla o saltar hacia ella). Se requiere supervisar y dedicar atención especial a niños que vean contenido en 3D.
 - Los niños presentan una disparidad binocular para ver contenido en 3D mayor que la de los adultos, debido a que la distancia que separa los ojos es menor que la de los adultos. Por lo tanto, los niños perciben una profundidad estereoscópica mayor en comparación con los adultos al ver la misma imagen 3D.
- Adolescentes
 - Los adolescentes menores de 19 años de edad pueden recibir una mayor estimulación a la luz proveniente de videos en 3D. Recomiéndeles no ver videos en 3D durante un período de tiempo prolongado si están cansados.
- Personas mayores
 - Las personas de edad avanzada pueden percibir un efecto menor del contenido en 3D en comparación con los jóvenes. La distancia desde donde usted está sentado y el TV no debe ser inferior a la recomendada.

Use los anteojos 3D con precaución

- Asegúrese de usar anteojos 3D LG. De lo contrario, no podrá ver correctamente los videos en 3D.
- No use anteojos 3D en lugar de sus anteojos normales, anteojos de sol o gafas protectoras.
- Usar anteojos 3D modificados puede causar fatiga visual o imágenes distorsionadas.
- No guarde sus anteojos 3D a temperaturas extremadamente altas o bajas. Provocará que se deformen.
- Los anteojos 3D son frágiles y se rayan fácilmente. Siempre use una tela suave y limpia para limpiar las lentes. No raye las lentes de los anteojos 3D con objetos afilados ni las limpie con productos químicos.

LICENCIAS

Las licencias admitidas pueden variar según el modelo. Para obtener más información sobre las licencias, visite www.lg.com.



AVISO SOBRE SOFTWARE DE CÓDIGO ABIERTO

Para obtener el código fuente de GPL, LGPL, MPL y otras licencias de fuente abierta, que se incluyen en este producto, visite <http://opensource.lge.com>. Además del código fuente, se pueden descargar todos los términos de licencia, las exenciones de garantías y los derechos de autor mencionados.

Además, LG Electronics le proporcionará el código fuente abierto en CD-ROM por un valor que cubre el costo de realizar dicha distribución (como el costo de los medios, el envío y la manipulación) previa solicitud vía correo electrónico a opensource@lge.com. Esta oferta es válida por tres (3) años a partir de la fecha en que compre el producto.

! NOTA

- La imagen puede ser diferente a la de su televisor.
- El OSD (On Screen Display, Despliegue En la Pantalla) de su TV puede ser un poco diferente que este manual.
- Los menús y las opciones disponibles pueden variar según la fuente de entrada que utilice.
- Es posible que se agreguen nuevas funciones a este televisor en el futuro.

CONTENIDO

2 INSTRUCCIONES DE SEGURIDAD IMPORTANTES

7 Ver imágenes en 3D (en televisores 3D)

9 LICENCIAS

9 AVISO SOBRE SOFTWARE DE CÓDIGO ABIERTO

10 CONTENIDO

11 PROCEDIMIENTO DE INSTALACIÓN

11 MONTAJE Y PREPARACIÓN

- 11 Desempacar
- 13 Complementos opcionales
- 14 Componentes y botones
- 15 - Uso del botón de control
- 16 Levantar y trasladar el televisor
- 17 Configurar el televisor
- 17 - Colocar la base de la televisión
- 19 - Montar sobre una mesa
- 20 - Montar en la pared
- 21 - Sujetar los cables

22 ESTABLECER CONEXIONES

- 22 Conexión de una antena o un cable
- 23 Conexión a un receptor de HD, reproductor de DVD o VCR
- 23 - Conexión HDMI
- 24 - Conexión DVI a HDMI
- 25 - Conexión a un teléfono móvil
- 26 - Conexión por componente
- 27 - Conexión compuesta
- 28 Conexión a un dispositivo PC
- 28 - Conexión HDMI o Conexión DVI a HDMI
- 30 Conexión a un sistema de audio
- 30 - Conexión de audio óptico digital
- 31 Cómo conectar un dispositivo USB

32 CONTROL REMOTO

34 COMO UTILIZAR LA GUÍA DEL USUARIO

34 CONFIGURACIÓN DE CONTROL DEL DISPOSITIVO EXTERNO

35 ESPECIFICACIONES

37 MANTENIMIENTO

- 37 Limpieza del televisor
- 37 - Pantalla, marco, gabinete y base
- 37 - Cable de alimentación

37 SOLUCIÓN DE PROBLEMAS

PROCEDIMIENTO DE INSTALACIÓN

- 1 Abra el paquete y asegúrese de que todos los accesorios estén incluidos.
- 2 Instale la base del televisor.
- 3 Conecte un dispositivo externo al televisor.
- 4 Asegúrese de que la conexión de red esté disponible.
Solo podrá usar las funciones de red del TV cuando se haya establecido la conexión a la red.

MONTAJE Y PREPARACIÓN

Desempacar

Verifique que la caja del producto contenga los siguientes elementos. Si falta algún accesorio, comuníquese con el distribuidor local mediante el cual adquirió el producto. Las ilustraciones de este manual pueden diferir del producto que usted adquirió.



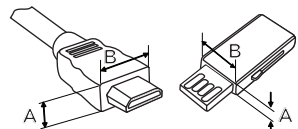
PRECAUCIÓN

- No use ningún producto no autorizado para garantizar la seguridad y la vida útil del producto.
- Ningún daño o lesiones por el uso de elementos no autorizados no están cubiertos por la garantía.
- Algunos modelos parecen tener un plástico fino sobre la pantalla. Esta forma parte de la pantalla, así que no la retire.



NOTA

- Los artículos suministrados con el producto adquirido pueden variar según el modelo.
- Es posible que cambien las especificaciones del producto o el contenido del manual sin previo aviso debido a las actualizaciones de las funciones del producto.
- Para que la conexión sea óptima, los cables HDMI y los dispositivos USB tienen que tener biselados que no superen los 10 mm (0,39 pulgada) de espesor y 18 mm (0,7 pulgada) de ancho.
- Utilice un cable de extensión que sea compatible con USB 2.0 en caso de que el cable USB o la tarjeta de memoria USB no encajen en el puerto USB del TV.
- Utilice un cable certificado con el logotipo de HDMI adjunto. Si no utiliza un cable HDMI certificado, es posible que la pantalla no muestre imágenes o que ocurra un error de conexión.
- Tipos de cable HDMI recomendados
 - Cable HDMI[®]/TM de alta velocidad
 - Cable HDMI[®]/TM de alta velocidad con Ethernet



*A ≤ 10 mm (0,39 pulgada)
*B ≤ 18 mm (0,7 pulgada)



Manual del usuario

(Para series UB8000/UB8200)



Cable de alimentación
(Según el modelo)

(Para series UB8300)

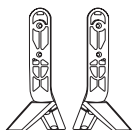


Base de Soporte
(Consulte p. 17)

(Para series UB8300)



Tornillos de soporte
4 PZ, M4 x L20
(Consulte p. 17)



Base de Soporte
(Consulte p. 18)



Tornillos de soporte
4 PZ, M4 x L21
(Consulte p. 18)

(Para series UB9200)

(Para series UB9200)

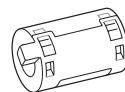
(Para 40UB8000, 49UB8200,
49UB8300)



**Base de Soporte y
Cuerpo de Soporte**
(Consulte p. 18)



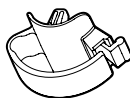
Tornillos de soporte
8 PZ, M4 x L20
(Consulte p. 18)



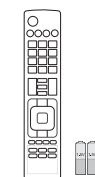
Núcleo de ferrita
(Consulte p. 13)



Sujetacables
(Consulte p. 21)



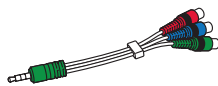
Organizador de cables
2 PZ
(Según el modelo)
(Consulte p. 21)



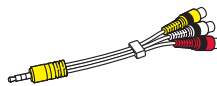
**Control remoto y
Baterías (AAA)**
(Consulte p. 32 y 33)



Anteojos 3D para cine
La cantidad de anteojos 3D
puede variar según el modelo
o el país. (Según el modelo)



Cable de video componente
(Consulte p. 26)

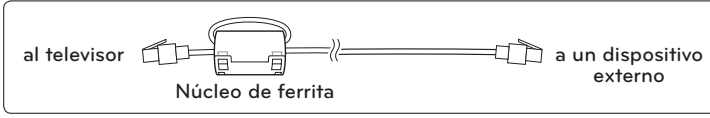


Cable de video compuesto
(Consulte p. 26 y 27)

! NOTA

(Para 40UB8000, 49UB8200, 49UB8300)

- Cómo usar el núcleo de ferrita (Según el modelo)
- Use el núcleo de ferrita para reducir la interferencia electromagnética en el cable de Red. Enrole una vez el cable de Red en el núcleo de ferrita. Ubique el núcleo de ferrita cerca de un televisor.



[Sección transversal del núcleo de ferrita]

Complementos opcionales

Los complementos opcionales se pueden cambiar o modificar para mejorar la calidad, sin necesidad de aviso previo. Para adquirir estos elementos, comuníquese con su distribuidor. Estos dispositivos solo funcionarán en ciertos modelos. Es posible que el nombre o el diseño del modelo hayan cambiado, debido a las circunstancias o políticas del fabricante.

AG-F***

Anteojos 3D para cine

AG-F*DP**

Anteojos Dual Play

AN-MR500

Remoto Mágico

Dispositivo de audio de LG

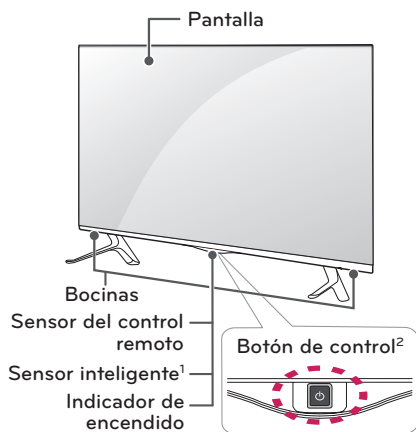
AN-VC5**

Cámara de videollamada
(Según el modelo)

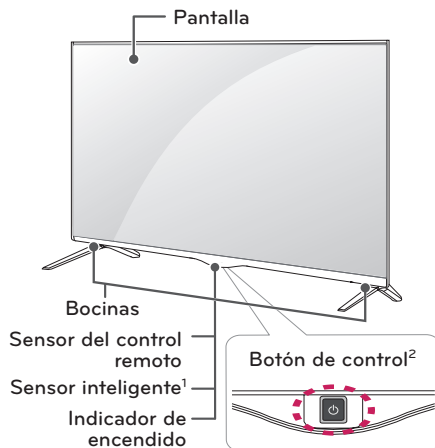
Compatibilidad	40UB8000 49UB8200 55UB8200 60UB8200 65UB9200	49UB8300 55UB8300
AG-F*** Anteojos 3D para cine		●
AG-F***DP Anteojos Dual Play		●
AN-MR500 Remoto Mágico	●	●
AN-VC5** Cámara de videollamada (Según el modelo)	●	●
Dispositivo de audio de LG	●	●

Componentes y botones

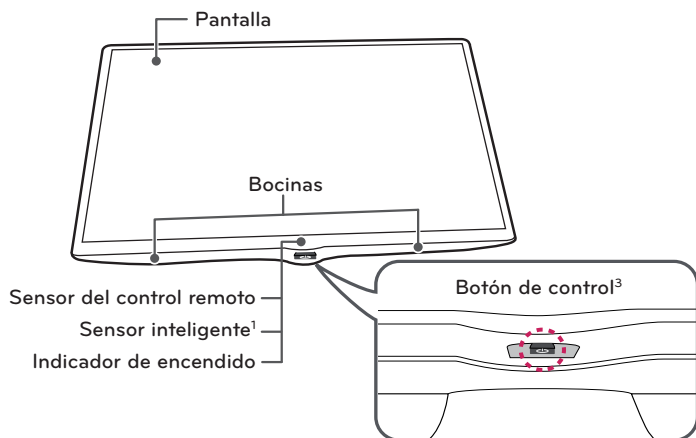
(Para series UB8000/UB8200)



(Para series UB8300)



(Para series UB9200)



1. Sensor inteligente: ajusta la calidad y el brillo de la imagen en función del entorno.
2. El botón de control se encuentra detrás de la pantalla de la TV.
3. El botón de control se encuentra debajo de la pantalla de la TV.





! NOTA

- Puede activar o desactivar la luz de indicador de encendido seleccionando **OPCIÓN** en los menús principales. (Según el modelo)

Uso del botón de control

Simplemente puede operar las funciones de la TV, presionando o moviendo el botón de control hacia arriba, abajo, izquierda o derecha.

Funciones Básicas

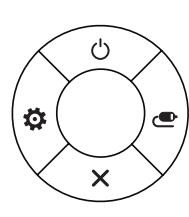




	Encendido	Cuando la TV está apagada, coloque el dedo en el botón de control y presione una vez y suéltelo.
	Apagado	Cuando la TV está encendida, coloque el dedo en el botón de control y presione unos segundos y suéltelo. (Sin embargo, si el Menú del botón está en la pantalla, presione y mantenga pulsado el botón de control, esto le permitirá salir del Menú.)
	Control de Volumen	Si coloca su dedo sobre el botón de control y lo mueve hacia la izquierda o la derecha, puede ajustar el nivel de volumen que desee.
	Control de Canales	Si coloca su dedo sobre el botón de control y lo mueve hacia arriba o abajo, puede desplazarse a través de los canales guardados que desee.

! NOTA

- Con el dedo sobre el botón de control, muévelo hacia arriba, abajo, izquierda o derecha, tenga cuidado de no presionar el botón de control. Si presiona primero el botón de control, es posible que no pueda ajustar el nivel de volumen y/o desplazarse por los canales guardados.

Ajustar el Menú

Cuando la TV está encendida, presione el botón de control una vez. Puede ajustar los elementos del menú (🔌, ⚙️, ✖️, 📺) moviendo el botón de control hacia arriba, abajo, izquierda o derecha.

		Apagar TV	Apagar alimentación.
		Config.	Permite acceder a los menús principales.
		Cerrar	Limpia la visualización en pantalla y vuelve al modo de TV.
		Lista de entradas	Accesar a las fuentes de entrada.

Levantar y trasladar el televisor

Si desea levantar o trasladar el televisor, lea las instrucciones a continuación para no rayar o dañar el aparato, y para transportarlo de forma segura, independientemente del tamaño o tipo de aparato.

⚠ PRECAUCIÓN

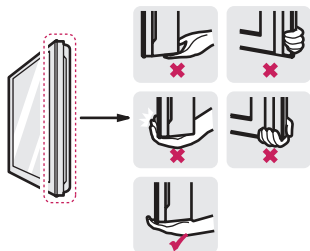
- No toque la pantalla. De lo contrario, podría dañarla.
- No coloque el producto en el piso con la parte frontal hacia abajo sin una almohadilla. Al hacerlo puede causar daños a la pantalla.

- Se recomienda trasladar el televisor en la caja o el material de empaque en el que lo recibió al comprarlo.
- Antes de mover o levantar el televisor, desconecte el cable de alimentación y el resto de los cables.

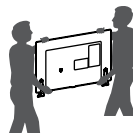
- Cuando sostenga el televisor, la pantalla debe quedar alejada de usted para evitar algún daño.



- Sostenga con firmeza la parte superior e inferior del marco del televisor. Asegúrese de no sostenerlo por la parte transparente, por la bocina o por el área de rejillas de las bocinas.



- Utilizar al menos dos personas para mover un televisor grande.
- Al transportar el televisor con las manos, sosténgalo como se indica en esta ilustración.



- Al transportar el televisor, no lo someta a sacudones o vibración excesiva.
- Al transportar el televisor manténgalo en posición vertical, nunca lo apoye sobre uno de los costados, ni lo incline hacia la derecha o la izquierda.

Configurar el televisor

Puede instalar su TV en la pared o si desea colocar la TV en un centro de entretenimiento u otro mueble, colóquela la base.

Colocar la base de la televisión

Si no instala el televisor en una pared, siga estas instrucciones para colocar la base de la televisión.

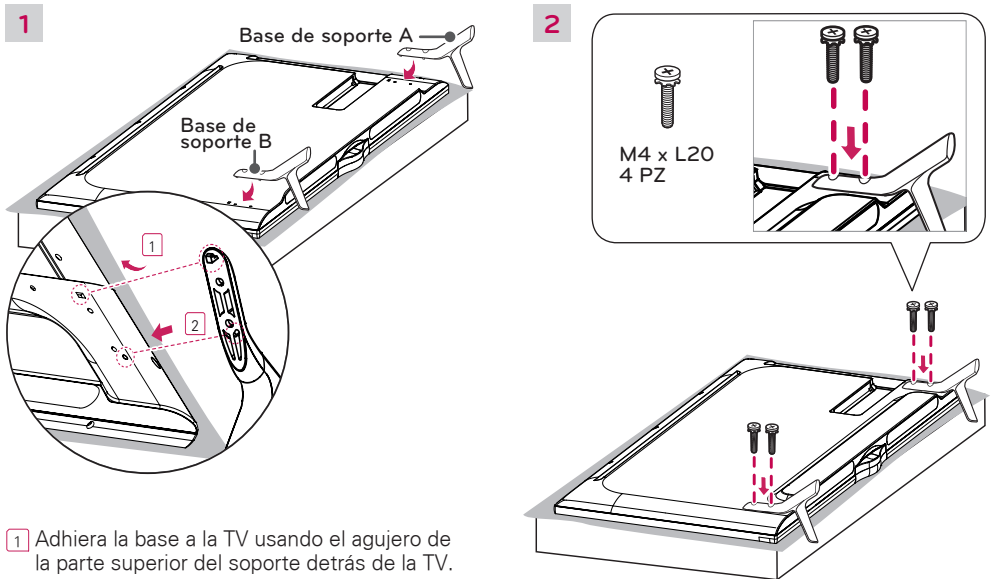
⚠ PRECAUCIÓN

- Al instalar la base del televisor, ponga la pantalla hacia abajo sobre una mesa acolchada o una superficie plana para evitar rayas.
- Asegúrese de que los tornillos estén completamente ajustados. (Si no están lo suficientemente ajustados, el TV puede inclinarse hacia delante después de instalarse.)
- No ajuste los tornillos con demasiada fuerza, de lo contrario, se pueden desgastar y aflojar.

! NOTA

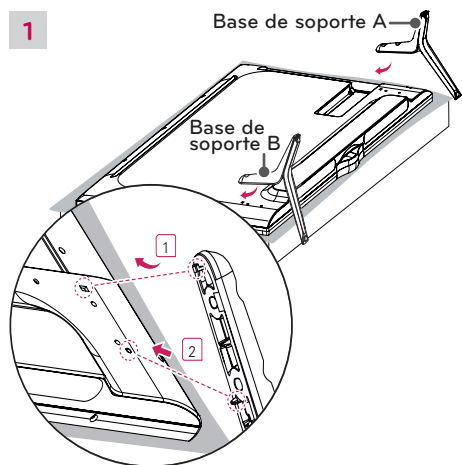
- Antes de montar el televisor en la pared, retire la base, realizando la instalación de ésta en orden inverso.

(Para series UB8000/UB8200)

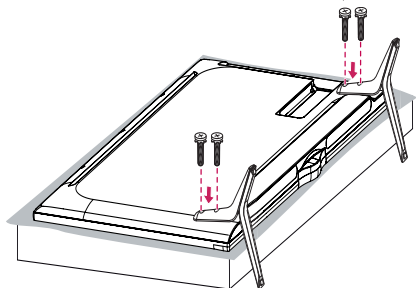
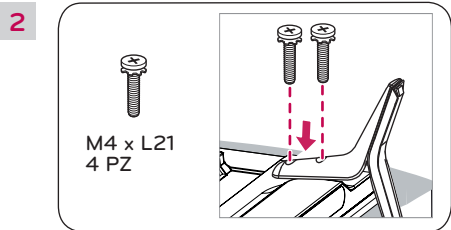


- 1** Adhiera la base a la TV usando el agujero de la parte superior del soporte detrás de la TV.
- 2** Adhiera la base a la TV usando la conexión inferior detrás de la TV.

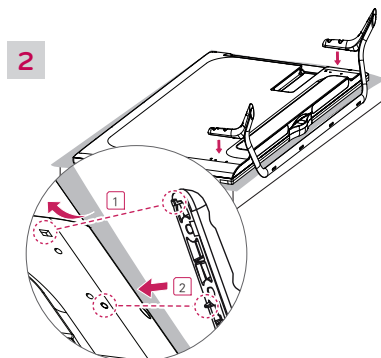
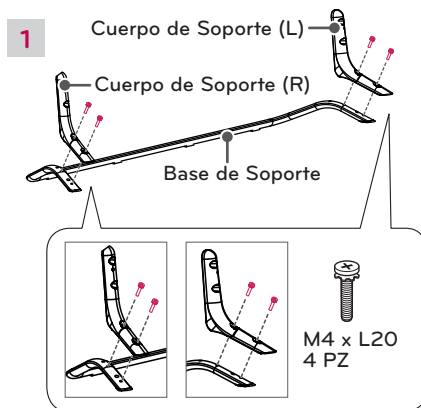
(Para series UB8300)



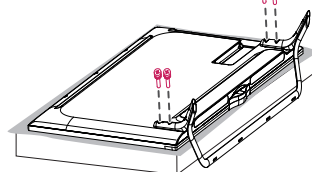
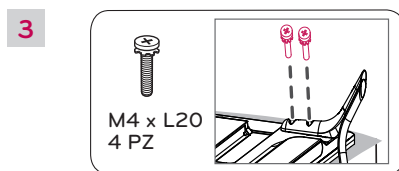
- 1 Adhiera la base a la TV usando el agujero de la parte superior del soporte detrás de la TV.
- 2 Adhiera la base a la TV usando la conexión inferior detrás de la TV.



(Para series UB9200)

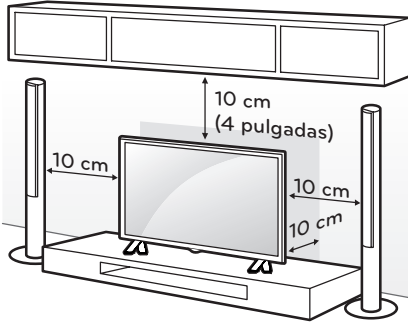


- 1 Adhiera la base a la TV usando el agujero de la parte superior del soporte detrás de la TV.
- 2 Adhiera la base a la TV usando la conexión inferior detrás de la TV.



Montar sobre una mesa

- Levante el televisor y déjelo en posición vertical sobre la mesa.
 - Deje un espacio mínimo de 10 cm (4 pulgadas) entre el televisor y la pared para asegurar una ventilación adecuada.



- Conecte el cable de alimentación al tomacorriente de la pared.

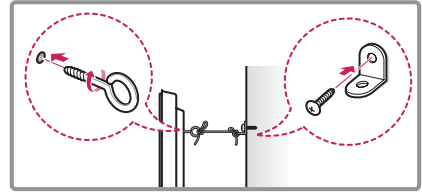
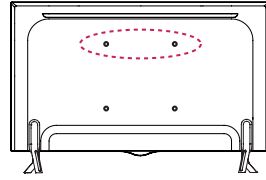


PRECAUCIÓN

- No colocar la televisión cerca de fuentes de calor, puede resultar quemada u ocasionar otro daño.

Fijación del televisor a la pared (opcional)

(Según el modelo)



- Inserte y ajuste los tornillos de ojo del televisor en su parte posterior.
 - En caso de que haya tornillos insertados, primero retírelos.
- Utilice los tornillos para colocar los soportes correspondientes en la pared. Acople el soporte de la pared con los tornillos de ojo a la parte posterior del televisor.
- Conecte los tornillos de ojo y los soportes con un cordón fuerte y ajústelos con firmeza. Asegúrese de mantener el cordón en posición horizontal a la superficie plana.



PRECAUCIÓN

- Asegúrese de que los niños no se suban al televisor ni se cuelguen de él.

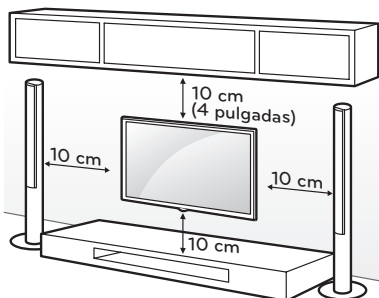


NOTA

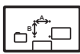
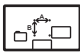
- Utilice una plataforma o un armario que sea lo suficientemente fuerte y grande para sostener el televisor de manera segura.
- Los soportes, los tornillos y los cordones son opcionales. Puede solicitar otros accesorios a través de su distribuidor local.


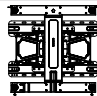
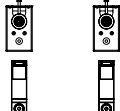
Montar en la pared

Se puede usar un soporte de pared opcional con el televisor LG. Consulte al distribuidor local para adquirir un soporte de pared que cumpla con el estándar VESA que usa su modelo de TV. Cuidadosamente coloque el soporte de pared en la parte posterior del TV. Instale el soporte de pared en una pared sólida, perpendicular al piso. Si va a instalar el TV sobre otros materiales de construcción, póngase en contacto con personal técnico calificado para instalar el soporte de pared. El soporte de pared incluirá instrucciones detalladas. Recomendamos que use un soporte de pared de marca LG. Cuando no utilice el soporte de montaje de pared LG, por favor, utilice un soporte de montaje de pared en el que el dispositivo esté debidamente sujeto a la pared con el espacio suficiente para permitir la conectividad con dispositivos externos.



Asegúrese de usar tornillos y soportes de pared que cumplan con el estándar VESA. En la tabla siguiente se detallan las dimensiones de los conjuntos de montaje de pared.

Modelo	40UB8000	
VESA (A x B)	200 x 200 mm	
		
Tornillo Estándar	M6	
Cantidad de tornillos	4	
Soporte de pared (opcional)	LSW240B MSW240	
Modelo	49/55UB8200 49/55UB8300	60UB8200 65UB9200
VESA (A x B)	400 x 400 mm	400 x 400 mm
		
Tornillo Estándar	M6	M6
Cantidad de tornillos	4	4
Soporte de pared (opcional)	LSW440B MSW240	LSW440B

Soporte de pared (opcional)	
LSW240B	
LSW440B	
MSW240	

⚠ PRECAUCIÓN

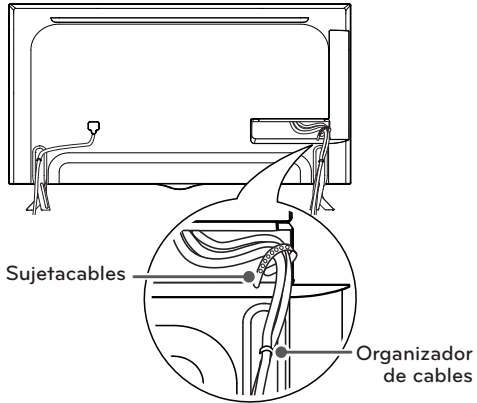
- Antes de mover o instalar el televisor, desconecte el cable de alimentación. De lo contrario, podría provocar una descarga eléctrica.
- Si instala el televisor en el techo o en una pared inclinada, podría caerse y provocar lesiones graves. Utilice un soporte de pared autorizado por LG y comuníquese con el distribuidor local o con personal técnico calificado. Cuando usa un soporte de pared de otro fabricante, este no es cubierto por la garantía.
- No ajuste excesivamente los tornillos, dado que podría dañar el televisor y anular la garantía.
- Utilice tornillos y soportes de pared que cumplan con la norma VESA. La garantía no cubre daños ni lesiones provocados por el uso incorrecto del aparato o de accesorios no autorizados.

! NOTA

- Utilice los tornillos enumerados en las especificaciones del estándar VESA.
- El conjunto de montaje de pared incluye un manual de instalación y las piezas necesarias.
- El soporte de pared es opcional. Puede adquirir accesorios adicionales con el distribuidor local.
- La longitud de los tornillos puede variar según el tipo de soporte de pared. Asegúrese de utilizar la longitud adecuada.
- Para obtener más información, consulte el manual suministrado con el montaje de pared.

Sujetar los cables

Agrupe y ate los cables con el sujetacables y organizador de cables.



PRECAUCIÓN

- No mueva el televisor tirando del sujetacables y organizador de cables, debido a que el sujetador del cable se puede romper, y causar daños en el televisor.

ESTABLECER CONEXIONES

• Esta sección utiliza ilustraciones de la serie UB8300

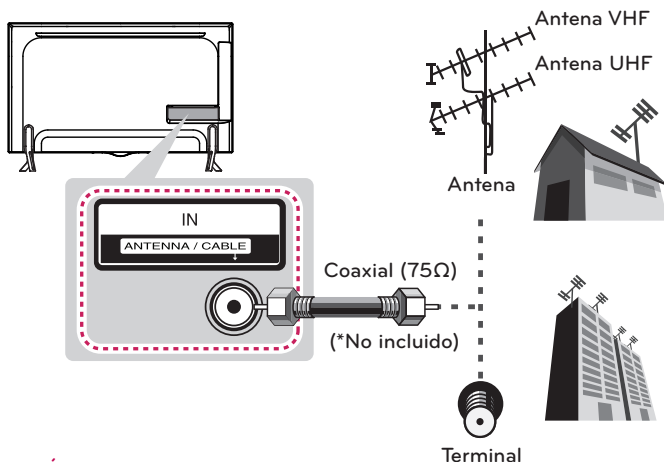
Se pueden conectar dispositivos externos al TV. Los dispositivos externos compatibles son: receptores de HD, reproductores de DVD, VCR, sistemas de audio, dispositivos de almacenamiento USB, PC, dispositivos de juegos, etc. Para más información acerca de la conexión de dispositivos externos, diríjase al manual que viene con cada dispositivo.

! NOTA

- Si graba un programa de TV en una grabadora de DVD o VCR, asegúrese de conectar el cable de entrada de señal al televisor a través de uno de estos dos dispositivos. Para obtener más información acerca de la grabación, consulte el manual proporcionado con el dispositivo conectado.
- Las conexiones de dispositivos externos que se muestran pueden ser levemente diferentes de las ilustraciones en este manual.
- Conecte los dispositivos externos al televisor independientemente del orden del puerto del aparato.
- Si conecta un dispositivo de juegos al TV, utilice el cable que se proporciona con dicho dispositivo.
- Consulte el manual del equipo externo para conocer las instrucciones de funcionamiento.

Conexión de una antena o un cable

Para mirar televisión, conecte una antena, un cable o una caja de cable. Las ilustraciones pueden diferir de los elementos reales y el cable RF es opcional.



! PRECAUCIÓN

- Asegúrese de no doblar el alambre de cobre del cable de RF.



- Primero conecte todos los dispositivos entre sí y luego conecte el cable de alimentación al tomacorriente, para que el televisor no resulte dañado.

! NOTA

- Utilice un divisor de señal para usar 2 televisores o más.
- Códec compatible con Audio DTV: MPEG, Dolby Digital.
- Esta TV no puede recibir transmisiones UHD (3 840 x 2 160 píxeles) directamente, debido a que los estándares relacionados no se han confirmado.

Conexión a un receptor de HD, reproductor de DVD o VCR

Conecte un receptor de HD, reproductor de DVD o VCR al televisor y seleccione el modo de entrada apropiado.

Conexión HDMI

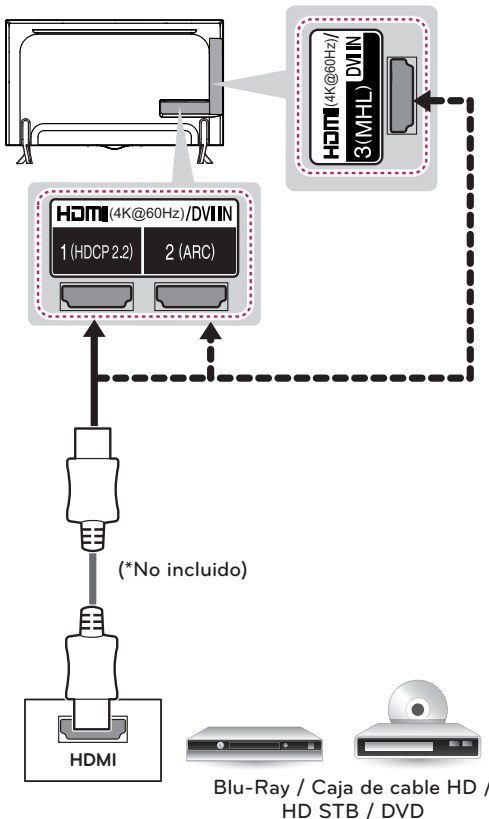
La conexión HDMI es la mejor manera de conectar un dispositivo.

Transmite las señales de audio y video digitales de un dispositivo externo al televisor. Conecte el dispositivo externo y el televisor con el cable HDMI tal como se muestra en la siguiente ilustración.

! NOTA

- Utilice el cable HDMI™ de alta velocidad más reciente con la función CEC (control electrónico por parte del cliente).
- Los cables HDMI™ de alta velocidad están probados para transportar señales HD de hasta 1 080 progresivo y superiores.
- Formato de audio HDMI compatible: PCM (32 kHz / 44,1 kHz / 48 kHz / 96 kHz / 192 kHz)

Escoja cualquier puerto de entrada HDMI para conectar.
No importa qué puerto utilice.



Formato compatible con 4K@ 60Hz

Resolución	Frecuencia de imagen (Hz)	Profundidad de color / Muestreo de color
3 840 x 2 160 progresivo	59,94	8 bit / YCbCr 4:2:0
4 096 x 2 160 progresivo	60,00	

ARC (canal de retorno de audio)

- Al estar conectado un cable HDMI de alta velocidad, el audio digital puede enviarse a un dispositivo compatible sin un cable de audio óptico adicional.
- El canal de retorno de audio (ARC) solo es compatible con el puerto **HDMI (4K @ 60 Hz) / DVI IN 2 (ARC)**. Si desea utilizar un canal de retorno de audio (ARC), deberá conectar un dispositivo de audio externo compatible con ARC a una entrada **HDMI (4K @ 60 Hz) / DVI IN 2 (ARC)**.

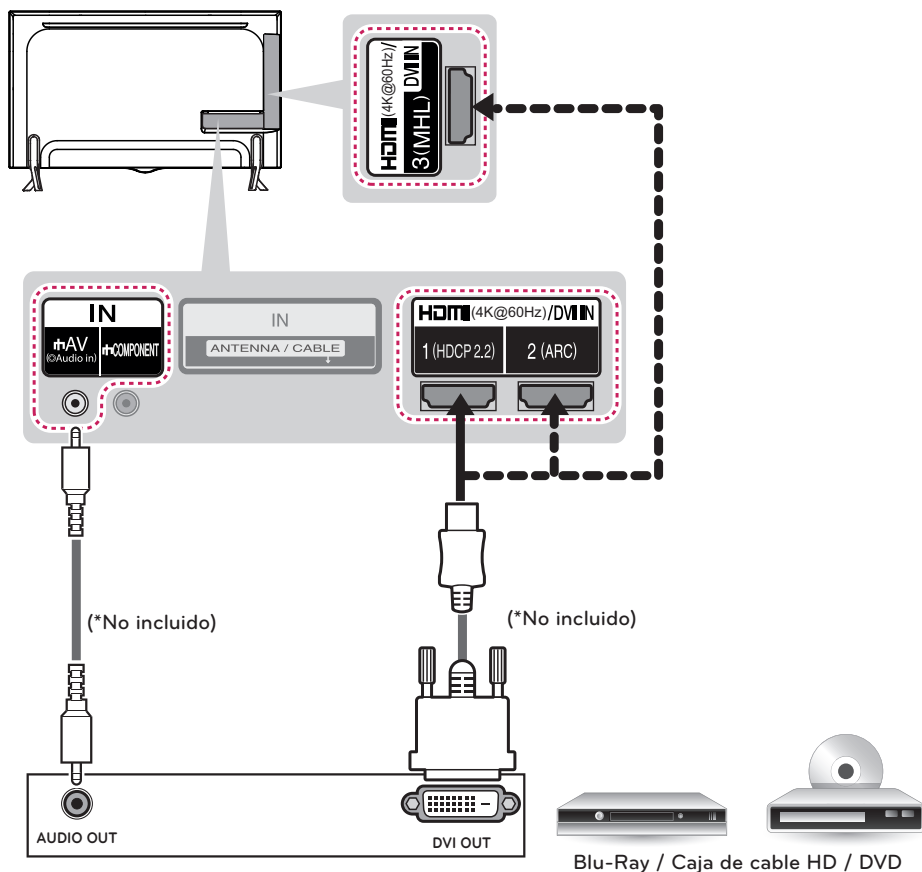
Conexión DVI a HDMI

Transmite las señales de video digital de un dispositivo externo al televisor. Conecte el dispositivo externo y el televisor con el cable DVI-HDMI tal como se muestra en la siguiente ilustración. Para transmitir una señal de audio, conecte un cable de audio.

! NOTA

- Al utilizar un cable HDMI/DVI, sólo es compatible con un enlace único de DVI.

Escoja cualquier puerto de entrada HDMI para conectar.
No importa qué puerto utilice.

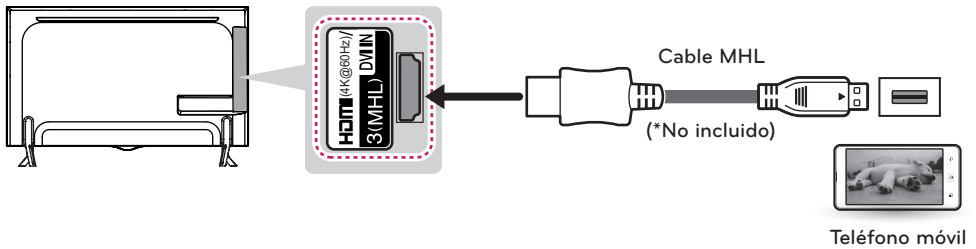


Conexión a un teléfono móvil

El enlace de alta definición móvil (MHL, por sus siglas en inglés) es una interfaz de transmisión de señales audiovisuales digitales de teléfonos móviles a televisores.

! NOTA

- Conecte el teléfono móvil al puerto **HDMI (4K @ 60Hz) / DVI IN 3 (MHL)** para ver la pantalla del teléfono en el TV.
- Esto solo funciona en teléfonos habilitados con MHL.
- Con teléfonos móviles compatibles con MHL, puedes usar el control remoto del TV para controlar el teléfono.
- Se necesita el cable MHL pasivo para conectar el TV y un teléfono móvil.
- Quite el cable MHL del TV cuando:
 - la función MHL no esté funcionando.
 - su dispositivo móvil está completamente cargado en modo de espera.

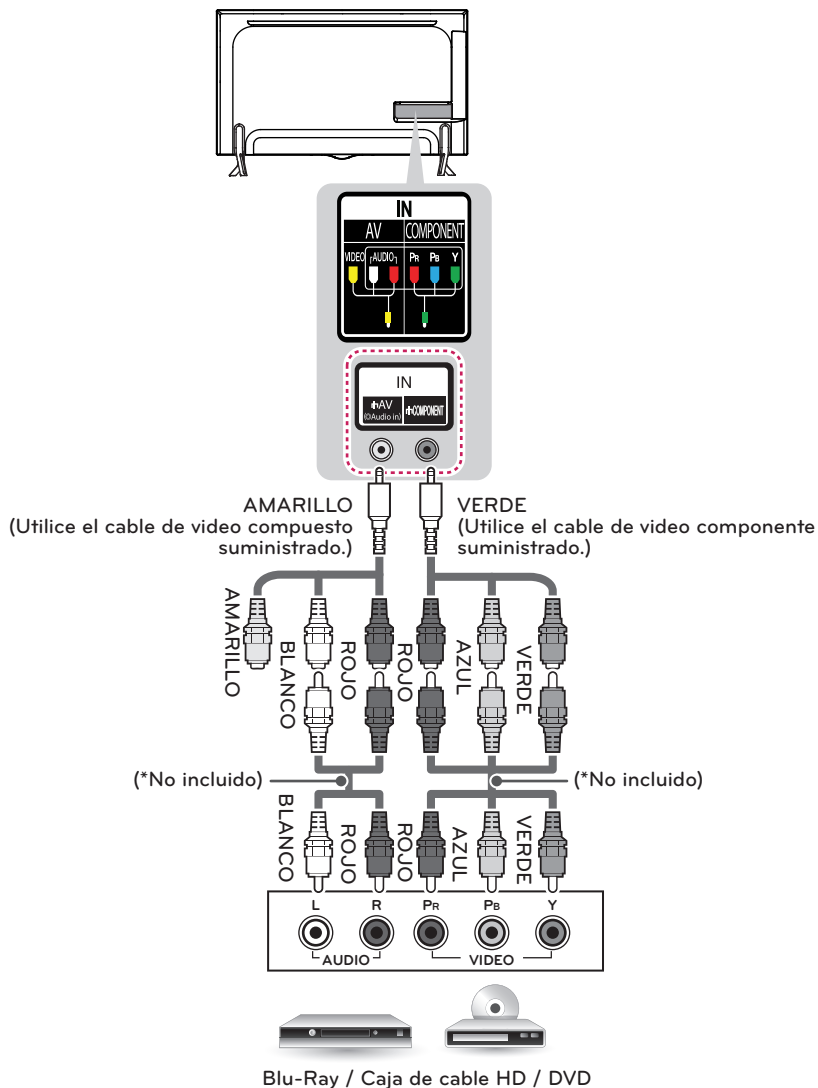


Conexión por componente

Transmite las señales de audio y video analógicas de un dispositivo externo al televisor. Conecte el dispositivo externo y el televisor con el cable componente tal como se muestra en la siguiente ilustración.

! NOTA

- Si la instalación de los cables no es la adecuada, podría proyectarse una imagen en blanco y negro o con colores distorsionados.
- **Revise y compruebe que los cables coincidan con las conexiones de color correspondientes.**

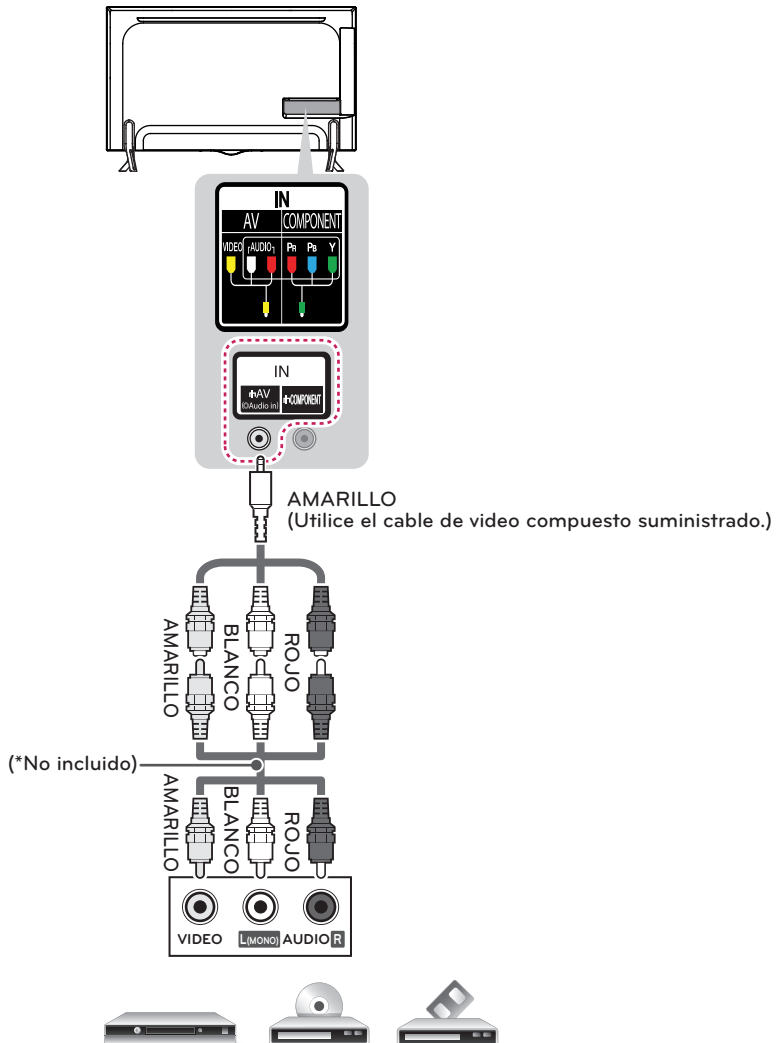


Conexión compuesta

Transmite las señales de audio y video analógicas de un dispositivo externo al televisor. Conecte el dispositivo externo y el televisor con el cable compuesto tal como se muestra en la siguiente ilustración.

! NOTA

- Si posee una VCR monofónica, conecte el cable de audio de la VCR a la toma AUDIO L/MONO del televisor.
- **Revise y compruebe que los cables coincidan con las conexiones de color correspondientes.**



Blu-Ray / Caja de cable HD / DVD / VCR

Conexión a un dispositivo PC

! NOTA

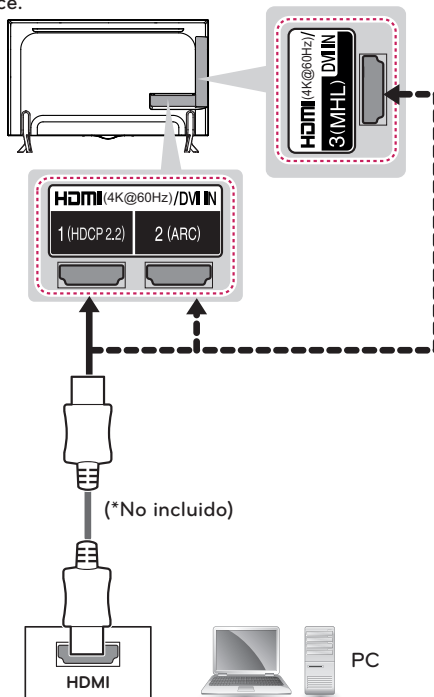
- Se recomienda utilizar el televisor con la conexión HDMI para obtener una calidad de imagen óptima.
- Según la tarjeta gráfica, es posible que no funcione el modo DOS cuando se utiliza un cable HDMI a DVI.
- En el modo PC, es posible que exista ruido asociado con la resolución, patrones verticales, contraste o brillo. Si se producen ruidos, cambie la resolución de la salida de la PC, cambie la frecuencia de actualización o ajuste el brillo y el contraste en el menú IMAGEN hasta que la imagen mejore.
- La forma de onda de la entrada de sincronización para las frecuencias horizontales y verticales es diferente.
- Según la tarjeta gráfica, es posible que algunos ajustes de resolución no permitan que la imagen se ubique en la pantalla de forma correcta.
- Si está usando la salida DVI de una PC, tiene que conectar el audio análogo por separado. Tome como referencia las instrucciones de la siguiente página.
- Al utilizar un cable HDMI/DVI, sólo es compatible con un enlace único de DVI.
- Si reproduce contenido Ultra HD en su PC, el video o el audio pueden sufrir interrupciones intermitentes, dependiendo del rendimiento de su PC.

Conexión HDMI o Conexión DVI a HDMI

Escoja el método A o B para realizar la conexión.

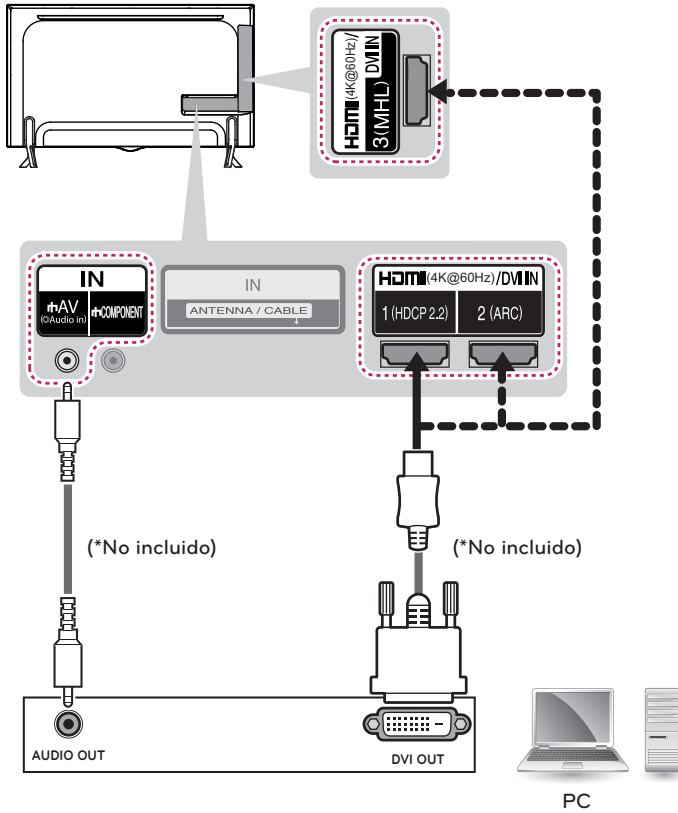
Método A: Conexión HDMI

Escoja cualquier puerto de entrada HDMI para conectar.
No importa qué puerto utilice.



Método B: Conexión DVI a HDMI

Escoja cualquier puerto de entrada HDMI para conectar.
No importa qué puerto utilice.



Conexión a un sistema de audio

Utilice un sistema de audio externo opcional en lugar de la bocina incorporada.

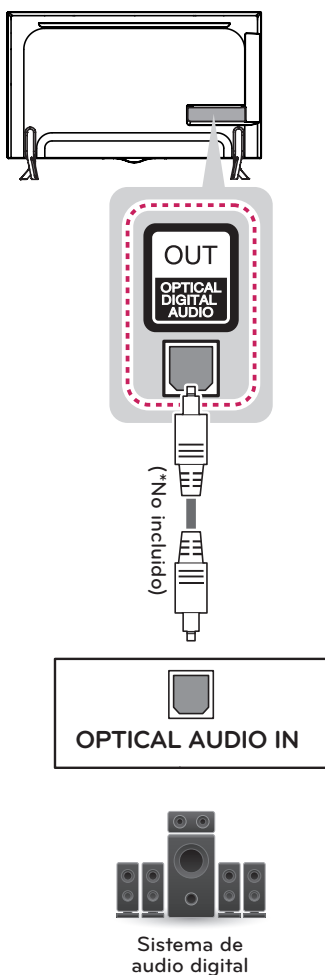
Conexión de audio óptico digital

Transmite señales de audio digital del televisor a un dispositivo externo.

Conecte el dispositivo externo y el televisor con el cable de audio óptico tal como se muestra en la siguiente ilustración.

! NOTA

- No mire hacia el puerto de salida óptica. Mirando el rayo láser puede dañar su visión.
- Audio de ACP (Protección de copiar Audio) puede bloquear la función de salida de audio digital.

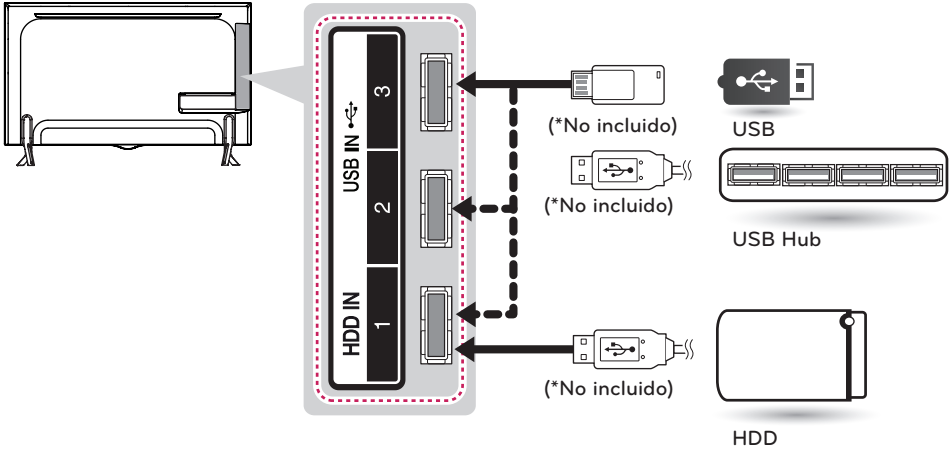


Cómo conectar un dispositivo USB

Conecte un dispositivo de almacenamiento USB como una memoria USB Flash, un disco duro externo o un lector de tarjetas de memoria USB al televisor.

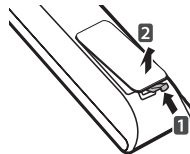
! NOTA

- Es posible que algunos concentradores USB no funcionen. Si no se detecta un dispositivo USB conectado mediante un concentrador USB, conéctelo directamente al puerto USB del TV.



CONTROL REMOTO

Las descripciones que figuran en este manual se basan en los botones del control remoto. Lea atentamente este manual y siga las instrucciones de uso. Para reemplazar las baterías, abra la cubierta de la batería, coloque otras (AAA de 1,5 Vcc) y haga coincidir la polaridad (+) y (-) en el compartimiento, luego cierre la tapa. Si no coincide correctamente la polaridad de la batería podría hacer que la batería explote o gotee y provocar un incendio, lesiones en personas o la contaminación ambiental. Asegúrese de apuntar con control remoto al sensor de control remoto en el televisor.



⚠ PRECAUCIÓN

- No mezcle pilas viejas y nuevas, ya que esto puede dañar el control remoto.

Este control remoto utiliza luz infrarroja. Al usarlo, es necesario apuntarlo en dirección al sensor remoto del TV.

(Para series UB8000/UB8200/UB9200)

ESPAÑOL

⏻ (ENCENDIDO) Enciende o apaga el televisor.

CAPTION Activa o desactiva los subtítulos.

AV MODE Selecciona un modo de audio y video.

📺 RATIO Cambia el tamaño de una imagen.

📺 INPUT Accesar a las fuentes de entrada. Enciende la TV si está apagada.

Botones Numerales Permiten introducir números.

- (Guión) Inserta un guión entre los números, por ejemplo, 2-1 y 2-2.

LIST Acceder a la lista de canales guardados.

FLASHBK Permite alternar entre los dos últimos canales seleccionados (al presionarlo repetidamente).

+ VOL - Ajusta el nivel del volumen.

FAV Permite acceder a la lista de canales favoritos.

INFO ⓘ Muestra información del programa actual.

MUTE 🔊 Silencia todos los sonidos.

^ CH v Permite desplazarse por los canales guardados.

^ PAGE v Permite ir a la pantalla anterior o siguiente.

SETTINGS Permite acceder a los menús principales.

SMART 🏠 Permite acceder al menú Home.

MY APPS 📺 Muestra la lista de aplicaciones.

Botones de navegación (arriba/abajo/derecha/izquierda) Permiten desplazarse por los menús o las opciones.

OK Ⓞ Permite seleccionar menús u opciones y confirmar lo ingresado.

↩ BACK Permite volver al nivel anterior.

Q.MENU Permite acceder al menú rápido.

EXIT Borra todas las visualizaciones en la pantalla y permite volver a mirar la televisión.

Botones de color Permiten acceder a funciones especiales en algunos menús.
(🔴: Rojo, 🟢: Verde, 🟡: Amarillo, 🔵: Azul)

Botones de control (⏪, ▶, ⏸, ⏩, ⏮, ⏭) Permiten controlar los dispositivos compatibles con SIMPLINK (USB, SIMPLINK).

🔗 SIMPLINK Permite acceder a los dispositivos AV conectados al televisor. O bien, abre el menú SIMPLINK.

SLEEP Establece el periodo de tiempo hasta que el televisor se apague automáticamente.

VD/* Habilita la función VD. La función SAP (Programa de Audio Secundario) también se puede habilitar al mantener presionada la tecla VD.

TV Regresa al último canal de televisión.

(Para series UB8300)



(ENCENDIDO) Enciende o apaga el televisor.
 CAPTION Activa o desactiva los subtítulos.
 AV MODE Selecciona un modo de audio y video.
 RATIO Cambia el tamaño de una imagen.
 INPUT Accesar a las fuentes de entrada. Enciende la TV si está apagada.

Botones Numerales Permiten introducir números.
 - (Guión) Inserta un guión entre los números, por ejemplo, 2-1 y 2-2.
 LIST Acceder a la lista de canales guardados.
 FLASHBK Permite alternar entre los dos últimos canales seleccionados (al presionarlo repetidamente).

+ VOL - Ajusta el nivel del volumen.
 FAV Permite acceder a la lista de canales favoritos.
 3D Permite ver videos 3D.
 MUTE  Silencia todos los sonidos.
 ^ CH v Permite desplazarse por los canales guardados.
 ^ PAGE v Permite ir a la pantalla anterior o siguiente.

SETTINGS Permite acceder a los menús principales.
 SMART  Permite acceder al menú Home.
 MY APPS Muestra la lista de aplicaciones.


Botones de navegación (arriba/abajo/derecha/izquierda) Permiten desplazarse por los menús o las opciones.
 OK  Permite seleccionar menús u opciones y confirmar lo ingresado.
 BACK Permite volver al nivel anterior.
 Q.MENU Permite acceder al menú rápido.
 EXIT Borra todas las visualizaciones en la pantalla y permite volver a mirar la televisión.

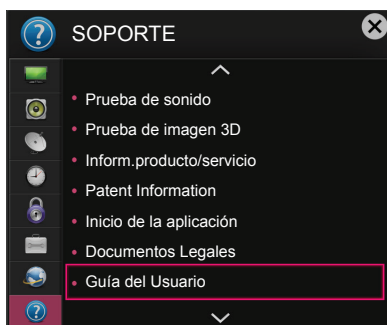
Botones de color Permiten acceder a funciones especiales en algunos menús.
 (): Rojo, (): Verde, (): Amarillo, (): Azul

Botones de control ( ,  ,  , ) Permiten controlar los dispositivos compatibles con SIMPLINK (USB, SIMPLINK).
 SIMPLINK Permite acceder a los dispositivos AV conectados al televisor. O bien, abre el menú SIMPLINK.
 INFO  Muestra información del programa actual.
 VD/* Habilita la función VD. La función SAP (Programa de Audio Secundario) también se puede habilitar al mantener presionada la tecla VD.
 TV Regresa al último canal de televisión.
 SLEEP Establece el periodo de tiempo hasta que el televisor se apague automáticamente.

COMO UTILIZAR LA GUÍA DEL USUARIO

La Guía del usuario le permite acceder de forma más sencilla a la información detallada del TV.

- 1 Presione el botón **SMART**  para ingresar al menú Home.
- 2 Seleccione **SETTINGS** → **SOPORTE**.
- 3 Seleccione **User Guide (Guía del usuario)** y presione el botón **OK** .



CONFIGURACIÓN DE CONTROL DEL DISPOSITIVO EXTERNO

Para obtener la información del control de dispositivo externo de configuración, por favor visite www.lg.com.

ESPECIFICACIONES

Las especificaciones del producto pueden cambiar sin previo aviso debido a las actualizaciones de las funciones de los productos.

Sistema de televisión		ATSC, NTSC-M, 64 y 256 QAM
Cobertura de programas		VHF 2-13, UHF 14-69, DTV 2-69, CATV 1-135, CADTV 1-135
Impedancia de antena externa		75 Ω
Condición de ambiente	Temperatura de funcionamiento	0 °C a 40 °C
	Humedad de funcionamiento	Menos de 80 %
	Temperatura de almacenamiento	-20 °C a 60 °C
	Humedad de almacenamiento	Menos de 85 %

MODELOS		40UB8000 (40UB8000-UB)
Dimensiones (Ancho x altura x profundidad)	Con base	900 x 568 x 217 (mm)
		35,4 x 22,3 x 8,5 (Pulgadas)
	Sin base	900 x 529 x 48,0 (mm)
		35,4 x 20,8 x 1,8 (Pulgadas)
Peso	Con base	10,9 kg (24,0 Libras)
	Sin base	10,6 kg (23,3 Libras)
Corriente de consumo / Consumo de la potencia		1,0 A / 100 W
Potencia requerida		AC 100 - 240 V ~ 50 / 60 Hz

MODELOS		49UB8200 (49UB8200-UH)	55UB8200 (55UB8200-UH)
		49UB8300 (49UB8300-UG)	55UB8300 (55UB8300-UG)
Dimensiones (Ancho x altura x profundidad)	Con base	1 093 x 684 x 248 (mm)	1 233 x 766 x 248 (mm)
		43,0 x 26,9 x 9,7 (Pulgadas)	48,5 x 30,1 x 9,7 (Pulgadas)
	Sin base	1 093 x 646 x 38,2 (mm)	1 233 x 727 x 37,8 (mm)
		43,0 x 25,4 x 1,5 (Pulgadas)	48,5 x 28,6 x 1,4 (Pulgadas)
Peso	Con base	18 kg (39,6 Libras)	21 kg (46,2 Libras)
	Sin base	17,5 kg (38,5 Libras)	20,5 kg (45,1 Libras)
Corriente de consumo / Consumo de la potencia		1,8 A / 180 W	1,9 A / 190 W
Potencia requerida		AC 100 - 240 V ~ 50 / 60 Hz	

MODELOS		60UB8200 (60UB8200-UH)
Dimensiones (Ancho x altura x profundidad)	Con base	1 341 x 830 x 271 (mm)
		52,7 x 32,6 x 10,6 (Pulgadas)
	Sin base	1 341 x 788 x 39,1 (mm)
		52,7 x 31,0 x 1,5 (Pulgadas)
Peso	Con base	26,3 kg (57,9 Libras)
	Sin base	25,8 kg (56,8 Libras)
Corriente de consumo / Consumo de la potencia		2,0 A / 200 W
Potencia requerida		AC 100 - 240 V ~ 50 / 60 Hz

MODELOS		65UB9200 (65UB9200-UC)
Dimensiones (Ancho x altura x profundidad)	Con base	1 452 x 914 x 300 (mm)
		57,1 x 35,9 x 11,8 (Pulgadas)
	Sin base	1 452 x 858 x 37 (mm)
		57,1 x 33,7 x 1,4 (Pulgadas)
Peso	Con base	34,8 kg (76,7 Libras)
	Sin base	33,7 kg (74,2 Libras)
Corriente de consumo / Consumo de la potencia		2,3 A / 230 W
Potencia requerida		AC 120 V~ 50 / 60 Hz

Módulo inalámbrico (LGSBW41) Especificación			
Inalámbrico LAN		Bluetooth	
Estándar	IEEE 802.11a/b/g/n	Estándar	Versión Bluetooth 3.0
Rango de frecuencias	2 400 a 2 483,5 MHz 5 150 a 5 250 MHz 5 725 a 5 850 MHz	Rango de frecuencias	2 400 a 2 483,5 MHz
Potencia de salida (máxima)	802.11a: 11.5 dBm 802.11b: 11 dBm 802.11g: 10.5 dBm 802.11n - 2.4 GHz: 11 dBm 802.11n - 5 GHz: 12.5 dBm	Potencia de salida (máxima)	10 dBm o menor
<ul style="list-style-type: none"> • Como el canal de banda en uso por el país puede ser diferente, el usuario no puede cambiar o ajustar la frecuencia de operación y este producto está configurado para la tabla de frecuencias regional. • Este dispositivo debe ser instalado y utilizado a una distancia mínima de 20 cm (7,8 pulgadas) entre el dispositivo y su cuerpo. Esta frase es por declaración general para la consideración de entorno del usuario. • Contiene FCC ID : BEJLGSBW41 / Contiene IC : 2703H-LGSBW41 • Registro: RCPLGLG13-2300 			

La operación de este equipo está sujeta a las siguientes dos condiciones:

- (1) es posible que este equipo o dispositivo no cause interferencia perjudicial y,
- (2) este equipo o dispositivo debe aceptar cualquier interferencia, incluyendo la que pueda causar su operación no deseada.

MANTENIMIENTO

Limpieza del televisor

Limpe regularmente el televisor para que siga funcionando con el máximo rendimiento y para extender la vida útil del producto.



PRECAUCIÓN

- Antes de proceder con la limpieza, apague el equipo y desconecte el cable de alimentación y todos los cables.
- Cuando deje el TV desatendido o no lo utilice durante mucho tiempo, desconecte el cable de alimentación de la toma de corriente para evitar posibles daños por descargas o sobrecargas de energía.

Pantalla, marco, gabinete y base

Para quitar el polvo o la suciedad leve, pase un paño seco, limpio y suave por la superficie. Para eliminar suciedad de mayor importancia, limpie la superficie con un paño suave humedecido con agua limpia o un detergente suave diluido. Después, pase de inmediato un paño seco.



PRECAUCIÓN

- No ejerza presión, refriegue ni golpee la superficie con las uñas o un objeto punzante, dado que puede rayar la pantalla y producir distorsiones en la imagen.
- No utilice sustancias químicas (como ceras, bencina, alcohol, tñer, insecticidas, desodorantes de ambientes o lubricantes) dado que pueden dañar el acabado de la pantalla y causar decoloración.
- No rocíe líquido sobre la superficie. Si entra agua en el televisor, puede ocasionar incendios, descargas eléctricas o mal funcionamiento.

Cable de alimentación

Quite con regularidad el polvo o la tierra acumulados en el cable de alimentación.

SOLUCIÓN DE PROBLEMAS

Problema	Solución
No se puede controlar el televisor con el control remoto.	<ul style="list-style-type: none"> • Compruebe si puso cualquier cosa sobre el receptor, como por ejemplo cinta adhesiva. • Compruebe que no haya ningún obstáculo entre el producto y el control remoto. • Sustituya las pilas por unas nuevas.
No se muestra ninguna imagen ni se emite sonido.	<ul style="list-style-type: none"> • Compruebe si el producto está encendido. • Compruebe si el cable de alimentación está conectado a la toma de la pared. • Conecte otros productos para comprobar si hay un problema con la toma de la pared.
El televisor se apaga de repente.	<ul style="list-style-type: none"> • Compruebe la configuración del control de energía. Es posible que el suministro eléctrico se interrumpa. • Compruebe si la función de Hora de Apagado / Temporizador está activada en la configuración de HORA. • Si no hay señal mientras el televisor está encendido, este se apagará automáticamente después de 15 minutos de inactividad.



Los números de modelo y de serie del televisor se encuentran ubicados en la parte posterior del aparato. Regístrelos en el siguiente espacio por si alguna vez necesita recurrir al servicio técnico.

MODELO _____

SERIE _____

(Para 40UB8000, 60UB8200)



Este producto reúne los requisitos ENERGY STAR en el ajuste Usar en Casa. Cambiar los ajustes de imagen predeterminados de fábrica o activar otras funciones, incrementará el consumo de energía, pudiendo exceder los límites de las condiciones impuestas por la clasificación Energy Star. Para mas informacion acerca del programa ENERGY STAR consulte ENERGYSTAR.gov.