



OWNER'S MANUAL

BEDDING CLEANER

This manual contains important information and instructions for the safe use and maintenance of the bedding cleaner. Please read all of the information on page 3, 4, 5 for your safety. Please keep this manual in an easily accessible place for future reference.

VH920*DS
VH920*D



MFL67782603

www.lg.com

Table of contents

Important safety instructions	3~5
How to use	6~14
Bedding Cleaner	6
Sterilizer Station	7
Using the Product	8
When using sterilization station (Depending on Model)	9
Effective cleaning methods according to the cleaning surfaces	10
How to Wash Inlet	11
Emptying Dust bin	12
Cleaning Dust bin	13
Care of Dust Filter	14
Troubleshooting Guide	15

IMPORTANT SAFETY INSTRUCTIONS

Read and follow all instructions before using your vacuum cleaner to prevent the risk of fire, electrical shock, personal injury, or damage when using the vacuum cleaner. This guide does not cover all possible conditions that may occur. Always contact your service agent or manufacturer about problems that you do not understand. This appliance complies with the following EC Directives :-2006/95/EC Low Voltage Directive -2004/108/EC EMC Directive.



This is the safety alert symbol.

This symbol alerts you to potential hazards that can kill or hurt you and others.

All safety messages will follow the safety alert symbol and either the word "WARNING" or "CAUTION."

These words mean:



WARNING

This symbol will alert you to hazards or unsafe practices which could cause serious bodily harm or death.



CAUTION

This symbol will alert you to hazards or unsafe practices which could cause bodily injury or property damage.



WARNING

1. This appliance is not intended for use by persons (including children) with reduced physical, sensory or mental capabilities, or lack of experience and knowledge, unless they have been given supervision or instruction concerning use of the appliance by a person responsible for their safety.
2. Children should be supervised to ensure that they do not play with the appliance.
3. If the supply cord is damaged, it must be replaced by LG Electronics Service Agent in order to avoid a hazard.
4. This appliance can be used by children aged from 8 years and above and persons with reduced physical, sensory or mental capabilities or lack of experience and knowledge if they have been given supervision or instruction concerning use of the appliance in a safe way and understand the hazards involved. Children shall not play with the appliance. Cleaning and user maintenance shall not be made by children without supervision.

IMPORTANT SAFETY INSTRUCTIONS

WARNING

- **Use it only on bedding items such as blankets, mattresses, pillows, or cloth sofas.**
Do not use this appliance to suck in dust, cement, or any construction debris.
Do not use on leather upholstered surfaces.
It may cause fire and unrepairable product damage.
- **This appliance is designed for normal indoor domestic use only. It is not to be used for any office or commercial application.**
- **No one other than a repair technician shall disassemble or modify the product.**
It may cause fire or electrical shock.
- **Do not spray combustible materials such as gasoline or solvents, or surfactants such as detergents or bathing goods, or drinks near the cleaner and it's sterilizer station.**
It can cause an explosion or fire.
- **Do not allow the power cord to be crushed, kinked or cut by heavy objects.**
Using a damaged cord or plug could cause fire or electrical shock. When the power cord is damaged, it is dangerous, so please have the cord replaced by an authorised service center.
- **Do not let liquid such as water enter the product, and do not use the unit to pick up liquids, sharp pointy objects, or hot embers.**
It causes fire or electrical shock.
If water accidentally enters the unit, immediately turn off the power switch of the main body, pull out the power plug, and contact LG Electronics Service Agent to avoid hazard.
- **If the ELCB, GFCI is triggered when the power is turned on, immediately stop its use and call an Authorised Service Provider.**
Failing to do so can cause electric shock.
- **Do not insert pins or sharp pointy utensils into or around the machine or its sterilizer station.**
There is a risk of electrical shock.
- **Do not use the appliance if gas odors can be detected. Unplug the unit and provide ventilation to avoid possible dangers.**
There is a risk of fire or explosion.
- **Always remove the power cord from the wall socket from the outlet and ensure that the unit is turned off before doing so.**
Failing to do so can cause fire or electrical shock.
- **Make sure that the unit is plugged into a wall socket over 10amp and not overloaded.**
Overloading of any wall socket can cause fires and product malfunction.
- **Do not use the appliance if the power cord or socket is in any way loose or damaged.**
It can cause fire or electrical shock.
- **Do not operate the appliance with the suction inlet or outlet which are blocked.**
It causes deformation of main body or fire by overheating.
- **Do not operate the cleaner while dust bin is taken out.**
There is a risk of product damage or electrical shock injury.
- **Do not place power cord and the product near heating devices.**
It can cause deformation of main body, malfunction, or fire.
- **Be careful that your fingers do not touch the pins when you pull out the plug from the mains outlet.**
It can cause electrical shock.
- **Do not allow children or pets to play with the product or use the product as a toy.**
It can cause personal injury and damage to the unit.
- **Do not handle the plug with wet hands.**
It may cause electrical shock.
- **Do not clean the inlet with water and use immediately after drying the components first.**
It may cause electrical shock and malfunction.
- **When you clean the exterior, make sure to pull out the power plug, and do not wash with harsh or abrasive solutions.**
It can cause electrical shock and exterior damage.
- **Do not place hands into the intake while the appliance is operating. Allow the unit to stop operating and disconnect from the wall socket to avoid any personal injury.**
- **Do not wash the exterior of inlet or bottom surface with water or detergent. Use only a damp cleaning cloth.**
It may damage product or cause electrical shock.
- **When the sterilization is in operation, do not attempt to look directly into the UV light.**
It may harm your eyes or skin, and may cause skin ailment such as red spots. Should this occur, consult your local physician.
- **If the supply cord is damaged, it must be replaced by the manufacturer, its service agent or similarly qualified persons in order to avoid a hazard.**
- **Do not use the product at a place subject to lots of industrial oil fumes or metal particulates.**
Doing so can cause fire or product failure.
- **Do not use the product at a place subject to leakage or probable leakage of combustible gases.**
It may result in fire or explosion.

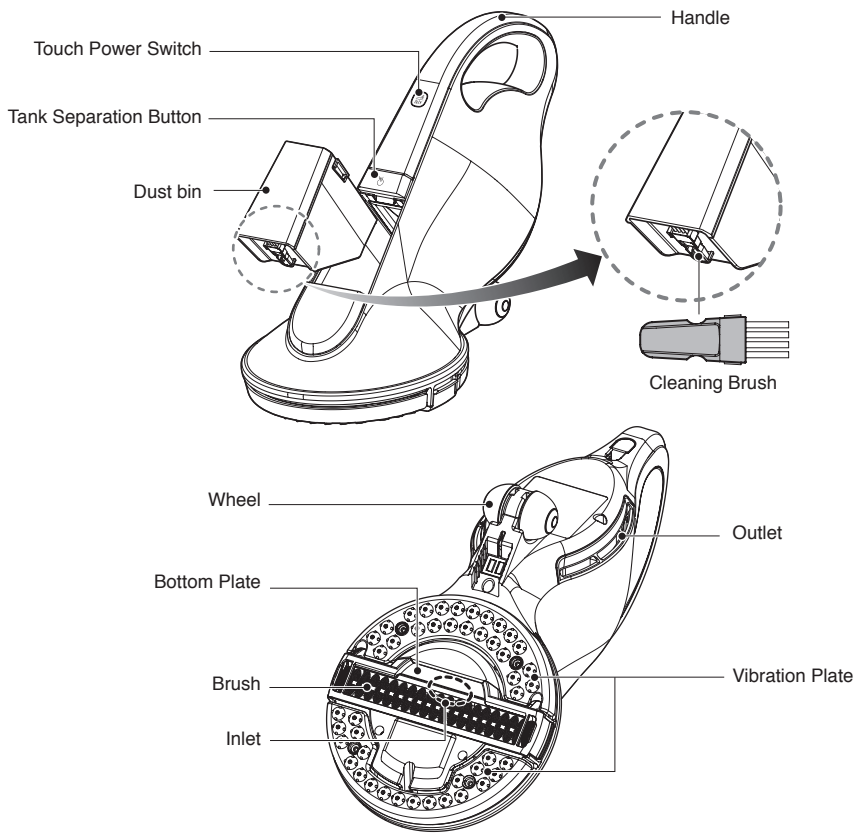
IMPORTANT SAFETY INSTRUCTIONS

CAUTION

- **Do not use this cleaner on anything other than rated voltage.**
It may cause fire and unrepairable product damage.
- **If the product is not in use for a long period of time, pull out the power plug.**
- **Static Electricity may be generated at main body during the cleaning.**
Cleaner may malfunction due to electrostatic energy, so pull out the power cord and put it back in again.
- **Big objects such as socks, stocking, tissues, etc., may block the inlet during the cleaning, so please remove them before starting the cleaning.**
This appliance must be used to remove dust only.
- **Do not place anything else on the sterilizer station other than this appliance.**
Close proximity of magnets or other active electromechanical appliances to the sterilizer station can cause malfunction.
- **Do not stop on one spot or use it on the same spot repeatedly for a long time.**
The surface may be damaged by the friction and vibration.
- **Do not touch the bottom surface with hand or foot while the appliance is in operation.**
- **Do not operate the appliance without the dust bin and its covers in place. Always ensure the dust bin is cleaned when it reaches its limit or beforehand.**
If it is used continuously while dust bin is full, it will cause malfunction and overheating.
- **To avoid the risk of fire or electric shock, always grip it from the plug when removing. And never pull on the power cord when removing it from the wall socket.**
- **If a foreign object is attached to the bottom surface of dust bin, remove it before using the product.**
It could compromise the suction motor and cause malfunction and damage.
- **Make sure to secure the bottom plate during the cleaning of bedding items. Do not use the appliance on a solid surface or flooring. Doing so could cause damage to both the surface and to the appliance.**
- **Do not store the appliance or the UV station in an outdoor environment.**
- **Never use the product for removing toxic gases.**
The product may fail, and toxic gases are not removed.
- **Use or place the unit on a level area and do not apply force to the unit.**
Doing so can cause fire or product failure.

How to use

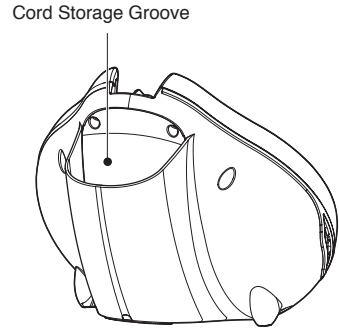
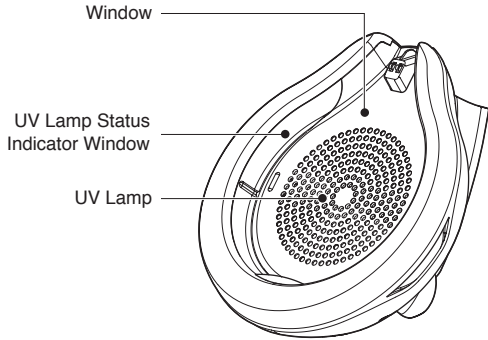
Bedding Cleaner



How to use

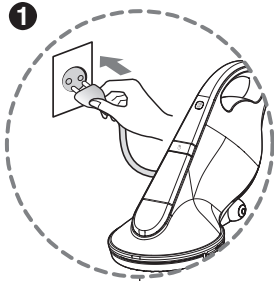
Sterilizer Station

<Depending on Model>



How to use

Using the Product



1 Insert the power cord into the power socket.

- When the power cord is inserted into the power socket, the unit will emit a chime and default to the stand by operation.

2 Touch the power switch to operate an appliance.

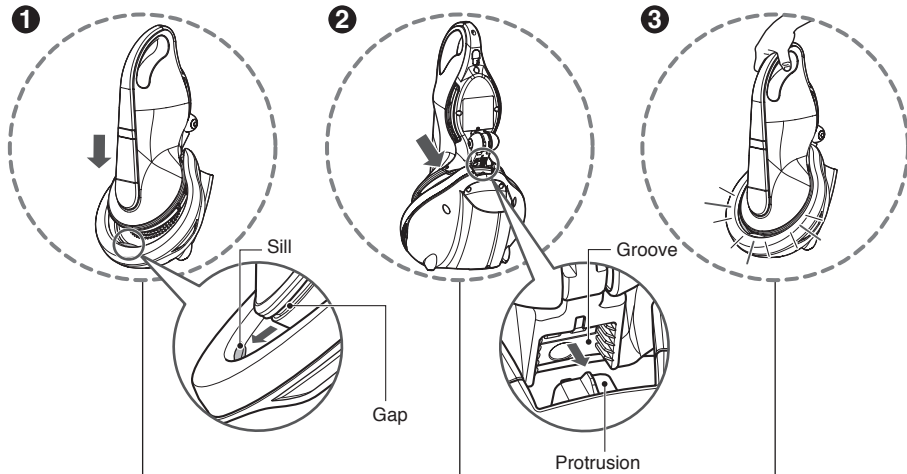
- Pressing touch power switch sounds 'beep,' starts operation of the product, and lights the indicator.

3 When you want to stop the operation.

- Pressing touch power switch again sounds 'beep,' stops operation of the product, and turns off the indicator.

How to use

When using sterilization station (Depending on Model)



❶ Place the product on the station in such a way that the front side of the product is placed first on the station to allow the gap on the vibration plate of the product to be inserted on the sill of the station.

❷ Place the product on the station in such a way that the rear side of the product to allow the groove on the bottom of the product is caught on the protrusion of the station.

❸ When the product is correctly placed on the sterilizer station, a blue indicator lights on the UV lamp status screen and the UV lamp starts operation for sterilization.

The indicator and the UV lamp are turned off 5 minutes after placing the product on the sterilizer station, and sterilization stops.

How to use

Effective cleaning methods according to the cleaning surfaces

Bed Mattress, Bed Cover



Pillows, Cushions, etc.



Thin cover



① Bedding:
Mattress, Bed Cover

- Divide the surface to half, and apply a forward and backward motion to both sides separately.

② Pillows: Large cushion, normal cushion, pillow

- For smaller surfaces apply an even forward and backward motion.

③ Blankets: Thick cover, thin cover, blanket

- Apply an even backward and forward stroke motion.

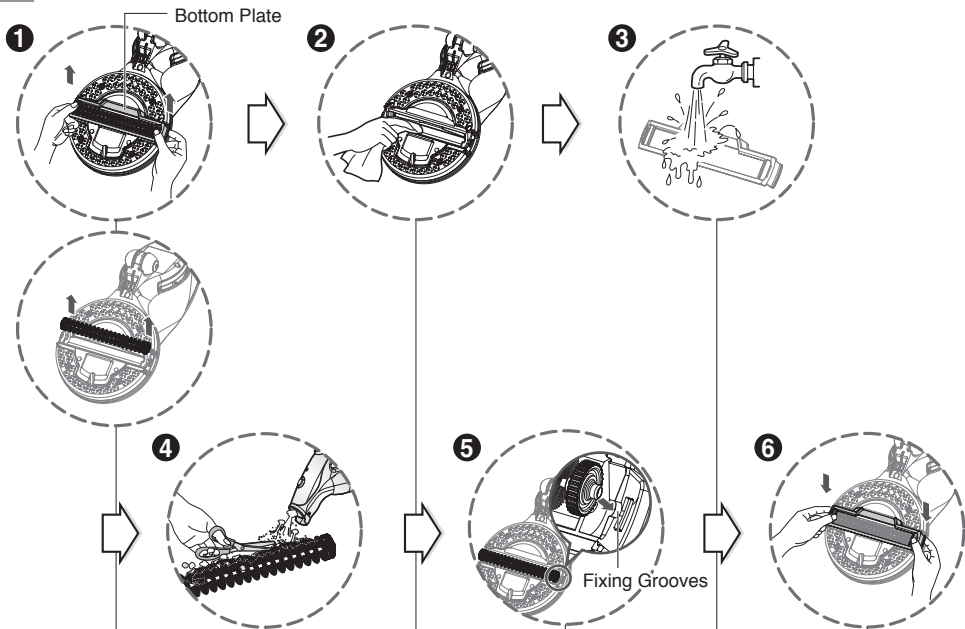
Using tip

Unlike general handy type products, this product applies the correct weight onto the surface for the application it is designed for.

There is no need for additional downward hand pressure when using. Additional downward pressure can cause damage to bedding.

How to use

How to Wash Inlet



1 Place a soft cloth on the surface, and flip over the main body on it with the product not connected to the socket outlet.

Make sure that there is no foreign objects, lift the left and the right of the bottom plate by pulling it up. Hold the brush and separate it by lifting it up.

2 Wipe down the intake area with a damp cloth.

3 Wash the separated bottom plate with water and dry it with a cloth or place it outside in the shade.
Do not wash the main body or roller brush.

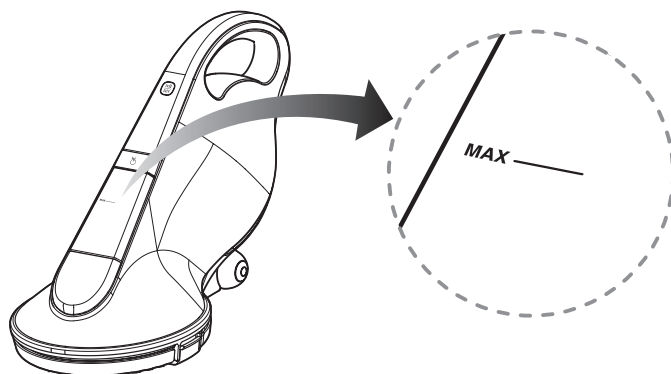
4 Clean the roller brush with a vacuum cleaner or an old unused tooth brush.

5 Insert the roller brush by matching the both side of roller brush to fixing grooves.

6 Align the bottom plate and push the both sides of bottom plate to the body.

How to use

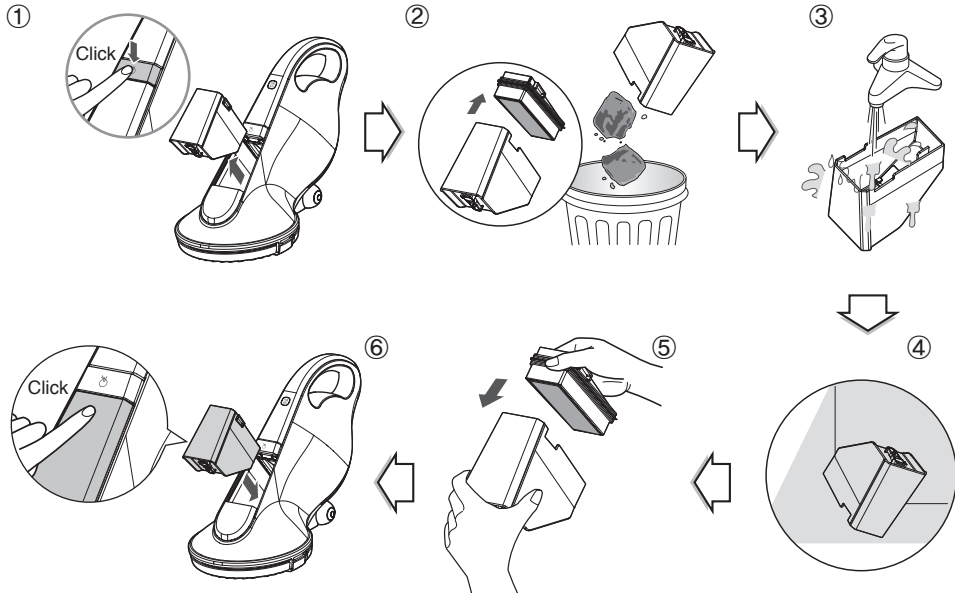
Emptying Dust bin



MAX — The Dust indicator should be observed regularly. Cleaning must be carried out before or when the fine dust and debris has reached the MAX line by emptying the dust bin and cleaning it (refer to next page) before using the appliance again.

How to use

Cleaning Dust bin



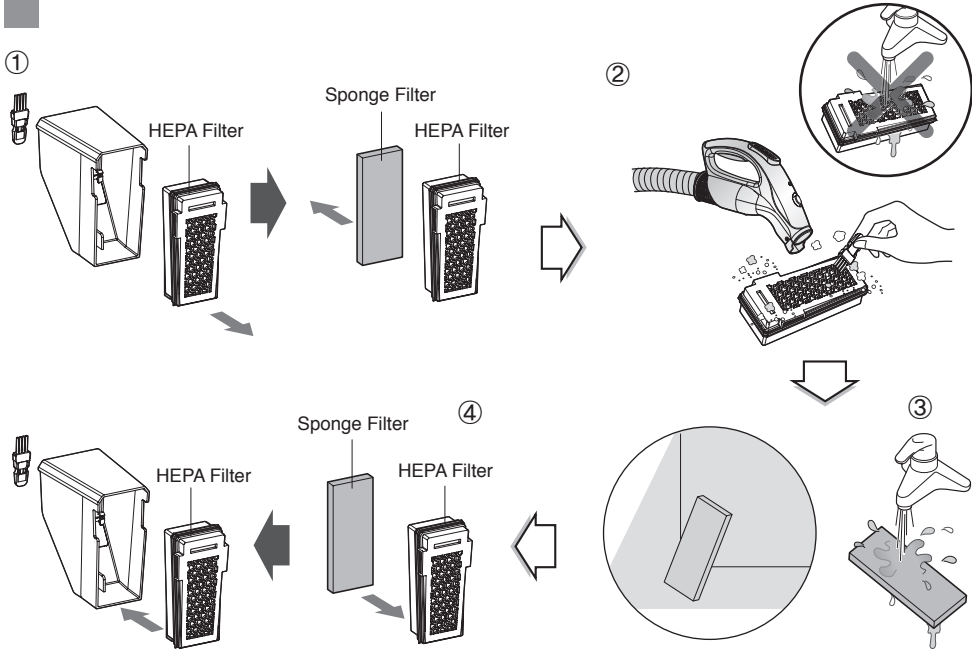
- ① Press the tank separation button. Then lift the dust bin from the main body.
- ② Hold both ends, open the filter (sponge filter + HEPA filter), and empty the dust.
- ③ After separating dust bin and filter, wash dust bin thoroughly with running water.
Refer to page 14 if sponge filters require cleaning.
- ④ Completely dry it in a shady place with good ventilation for about a day.
- ⑤ Insert Filter (Sponge filter + HEPA filter) into dust bin.
- ⑥ Insert dust bin into main body, and push down.
If dust bin is not reassembled correctly, it will impair the suction ability.

CAUTION

Make sure that the filter inserted into the dust bin before reusing.
If the filter doesn't inserted into the dust bin it will cause malfunction and possible damage to the unit.

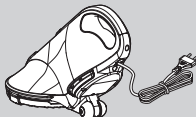
How to use

Care of Dust Filter



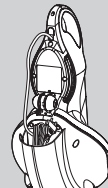
- ① After separating the filter from dust bin, separate sponge filter from HEPA Filter in the above figure.
- ② Clean the HEPA filter and the gaps around the filter using the brush and a vacuum cleaner.
- ③ Wash the Sponge Filter in running water, and completely dry it in a shady place with good ventilation for about a day before using it again.
- ④ Assemble in the reverse order of disassembly.

Store the cleaner as follows after use.



Make use of Velcro attached to the power code of the product, and bind the power code.

or



Place the product on the sterilizer station, and insert the power code in the hole on the rear side of the station. (depending on model)

Troubleshooting Guide

If there is an abnormality in the product, check the following items first before requesting for a service center or calling the store.

A service cost will be charged if the appliance does not have any malfunctions.

Following simple actions in the user manual may solve the problem.

CHECK	PLEASE PERFORM THE FOLLOWING ACTIONS
Weak or no suction and vibration noise.	<ul style="list-style-type: none"> • Check if inlet or dust bin is blocked by any foreign objects or debris that weaken the suction. • Separate dust bin from the main body, and check if the filters are dirty.
Cleaner is not working at all?	<ul style="list-style-type: none"> • Check if power plug is inserted in the power socket. • Check if the outlet is connected with electricity by inserting other products (dryer, fan, etc.) into the power socket. • Check if the operation procedure is correct according to the instructions within this manual.
Why does it suddenly stop?	<ul style="list-style-type: none"> • This product has an inlet motor overheat prevention device, and it may stop temporarily when the following cases occur. <ul style="list-style-type: none"> – If it is used when dust and debris in the dust bin is full and filters are clogged. – If it is used with the inlet blocked – If the product is excessively used for a long time • When power switch is accidentally touched.
Loud whirring noise coming from the cleaner?	<ul style="list-style-type: none"> • It is the sound of the motor's high speed rotating brush and the punching action at the tip of the nozzle. This is normal. • If dust bin is not completely assembled, noise may occur. Assemble dust bin correctly and completely.
Odor comes out of the cleaner?	<ul style="list-style-type: none"> • It might be that there is some odor coming out of cleaner after purchasing this unit for 3 months. It is normal if the unit is operated. • Odors can also be caused by old dust in the dust bin and filters that has not been cleaned for some time. Empty, clean and wash the dust bin and filters thoroughly before reusing the appliance.
Hot air comes out, and main body is hot?	<ul style="list-style-type: none"> • The air coming out of the outlet holes is a little hot because it is coming out after cooling the motor. This is normal.
UV Sterilization station(Depending on Model) does not work.	<ul style="list-style-type: none"> • Check if the power cord of body is connected into the power socket. • Check if the main body is placed correctly on the station.
It only vibrates, and there is no suction.	<ul style="list-style-type: none"> • Because of the suction motor overheat prevention device, this may occur when 1) dust bin is full, 2) filter or inlet is blocked, or 3) it is used for a long time. Allow the unit to rest and cool for at least 40 minutes before attempting to operate again. <ul style="list-style-type: none"> – Before using it again, clean the filter and dust bin. – If the inlet is blocked, please remove the foreign object.
Mains cord is defective	<ul style="list-style-type: none"> • The defective plug should be replaced by a qualification electrician.



Made in Korea