



OWNER'S MANUAL

# LG CORDLESS VACUUM CLEANER

This information contains important instructions for the safe use and maintenance of the vacuum cleaner. More importantly, please read all of the information on page 3, 4, 5 for your safety. Please keep this manual in an easily accessible place and refer to it if in doubt.

VR94\*\*\*\*\*



MFL68480215

[www.lg.com](http://www.lg.com)

# Table of contents

<b>Important safety instructions</b> .....	<b>3~5</b>
<b>How to use</b> .....	<b>6~17</b>
Assembling the vacuum cleaner .....	6~8
Operating the vacuum cleaner .....	8~9
Robosense™ function .....	10
Using the carpet and floor nozzle / hard floor nozzle .....	11
Using the accessory nozzles .....	12
Charging the Vacuum Cleaner .....	13
Emptying the dust tank .....	14
Cleaning the dust tank .....	15
Cleaning the air filter and motor safety filter .....	16
Cleaning the exhaust filter .....	17
<b>What to do if your vacuum cleaner does not work</b> .....	<b>18</b>
What to do when the suction performance decreases .....	18
<b>What to do if Robosense™ function does not work</b> .....	<b>19</b>

## IMPORTANT SAFETY INSTRUCTIONS

Read and follow all instructions before using your vacuum cleaner to prevent the risk of fire, electric shock, personal injury, or damage when using the vacuum cleaner. This guide does not cover all possible conditions that may occur. Always contact your service agent or manufacturer about problems that you do not understand. This appliance complies with the following EC Directives :-2006/95/EC Low Voltage Directive -2004/108/EC EMC Directive.



This is the safety alert symbol.

This symbol alerts you to potential hazards that can kill or hurt you and others.

All safety messages will follow the safety alert symbol and either the word "WARNING" or "CAUTION."

These words mean:



This symbol will alert you to hazards or unsafe practices which could cause serious bodily harm or death.



This symbol will alert you to hazards or unsafe practices which could cause bodily injury or property damage.

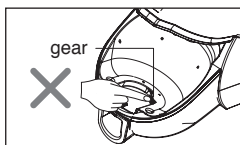
### WARNING

1. This appliance is not intended for use by persons (including children) with reduced physical, sensory or mental capabilities, or lack of experience and knowledge, unless they have been given supervision or instruction concerning use of the appliance by a person responsible for their safety.
2. Children should be supervised to ensure that they do not play with the appliance.
3. If the supply cord is damaged, it must be replaced by LG Electronics Service Agent in order to avoid a hazard
4. This appliance can be used by children aged from 8 years and above and persons with reduced physical, sensory or mental capabilities or lack of experience and knowledge if they have been given supervision or instruction concerning use of the appliance in a safe way and understand the hazards involved. Children shall not play with the appliance. Cleaning and user maintenance shall not be made by children without supervision.
5. **CAUTION:** This hose contains electrical connections
  - do not use to vacuum up water;
  - do not immerse in water when cleaning
  - the hose should be checked regularly and must not be used if damaged.

## IMPORTANT SAFETY INSTRUCTIONS

### WARNING

- **Disconnect the electrical supply before servicing or cleaning the unit or when cleaner is not in use.**  
Failure to do so could result in electrical shock or personal injury.
- **Do not use the vacuum cleaner to pick up anything that is burning or smoking such as a cigarette or hot ashes.**  
Doing so could result in death, fire or electrical shock.
- **Do not vacuum flammable or explosive substances such as gasoline, benzene, thinners, propane (liquids or gases).**  
The fumes from these substances can create a fire hazard or explosion. Doing so could result in death or personal injury.
- **Do not handle the plug or vacuum cleaner with wet hands.**  
Doing so could result in death or electrical shock.
- **Do not try to unplug the vacuum cleaner by pulling on the power cord.**  
Doing so could result in product damage or electrical shock. To unplug, grasp the plug, not the cord.
- **Keep hair, loose clothing, fingers, and all parts of the body away from openings and moving parts.**  
Failure to do so could result in electrical shock or personal injury.
- **The hose contains electrical wires. Do not attempt to use the vacuum cleaner if they are broken or damaged.**  
Failure to do so could result in death, or electrical shock.
- **Do not allow the product to be used as toy. Pay Close attention when product is being used by or near children.**  
Failure to do so could result in Personal injury or damage to the product.
- **Do not use the vacuum cleaner if the power cord or plug is damaged or faulty.**  
Failure to do so could result in personal injury or product damage. In the event of the above case, contact LG Electronics Australia or a LG Authorised Service Centre to avoid any hazards.
- **Do not use the vacuum cleaner if it has become damp or wet.**  
Failure to do so could result in personal injury or product damage. In the event of the above case, contact LG Electronics Australia or a LG Authorised Service Centre to avoid any hazards.
- **Do not continue to use the vacuum cleaner if any parts appear to be missing or damaged.**  
Failure to do so could result in personal injury or product damage. In the event of the above case, contact LG Electronics Australia or a LG Authorised Service Centre to avoid any hazards.
- **Do not use an extension cord or a multiple outlet power board to charge this vacuum cleaner.**  
Failure to do so could result to a fire hazard or product damage
- **Use the correct voltage to charge the unit.**  
Using improper voltage may result in damage to the product and possible injury to the user. The proper voltage is listed on the sticker on bottom of vacuum cleaner.
- **Do not modify the plug in any way.**  
Failure to do so could result in electrical shock, personal injury, product damage or even death. If plug does not fit into the wall socket, contact a qualified electrician to inspect the wall socket. If the supply cord is damaged, it must be replaced by the manufacturer or one of its authorised service centre's or a similarly qualified person in order to avoid a hazard.
- **Repairs to electrical appliances may only be performed by qualified service engineers.**  
Improper repairs may lead to serious hazards for the user.
- **Do not wash the body of the vacuum cleaner with water.**
- **Do not allow metals to touch the charging terminal or the connecting joints of the main body and hose.**
- **Before cleaning the body, unplug the power cord and turn off the main power. Always use a dry cloth to clean the body.**
- **Do not place the vacuum cleaner near any heat source or direct sunlight.**  
There is danger of an explosion or a fire.
- **When disposing of the vacuum cleaner and/or battery, it must be done in accordance with your local council/ government as it contains battery cells that can cause fire or explode if not disposed of correctly.**
- **Do not use the vacuum cleaner in bathrooms.**
- **If ever there is a problem with the vacuum cleaner, immediately stop vacuuming and turn off the main power switch.**
- **Do not use the product at a place subject to lots of industrial oil fumes or metal particulates.**  
Doing so can cause fire or product failure.
- **In the event that the battery ever leaks, avoid contact with the skin or eyes. If so, immediately rinse the affected part with plenty of water and seek medical attention.**  
Battery fluid may cause burns to your skin or loss of eyesight.
- **Do not put fingers near the gear.**  
Failure to do so could result in personal injury.





## IMPORTANT SAFETY INSTRUCTIONS

### CAUTION

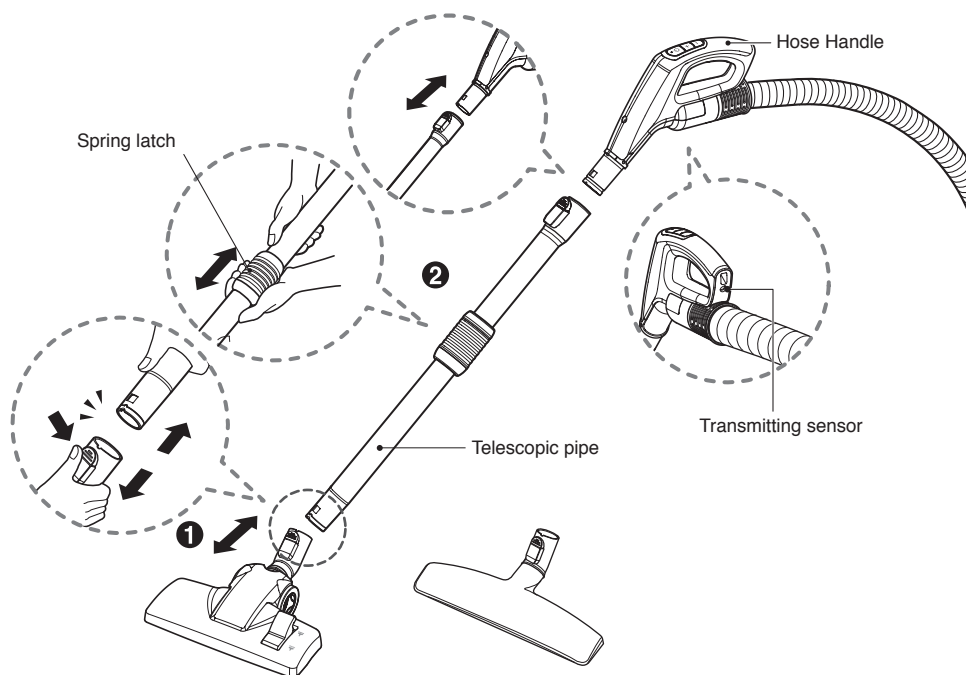
- **Do not insert any objects into any of the vacuum cleaner's openings.**  
Failure to do so could result in product damage.
- **Do not use the vacuum cleaner with any of its opening's blocked: Make sure to keep openings free of dust, lint, hair, and anything that may restrict air flow.**  
Failure to do so could result in product damage.
- **Do not use the vacuum cleaner without the dust tank and/or filters in place.**  
Failure to do so could result in product damage.
- **Always clean the dust bin after vacuuming up carpet cleaners or fresheners, powders or fine dust.**  
These products will clog the filters and reduce airflow. Failure to clean the dust bin could cause permanent damage to the cleaner.
- **Do not use vacuum cleaner to pick up sharp hard objects, small toys, pins, paper clips, etc.**  
They may damage the vacuum cleaner or dust bin.
- **Store the vacuum cleaner away when not in use.**  
Put the vacuum cleaner away when not in use to avoid any hazards.
- **The vacuum cleaner is not intended to be used by young children or infirm people without sufficient supervision.**  
Failure to do so could result in personal injury or product damage.
- **Only use parts, attachments and accessories that are recommended or approved by LG Electronics Australia or one of it's Authoised Service Centers.**
- **To avoid personal injury and to prevent the machine from falling when cleaning stairs, always place it at the bottom of stairs.**  
Failure to do so could result in personal injury or product damage.
- **Do not grasp the tank handle when you are moving the vacuum cleaner.**  
The product may fall if you try to carry the vacuum cleaner by the tank handle, which could then result in personal injury or product damage. You should carry the vacuum cleaner by the carrier handle when you are moving the vacuum cleaner. (Page 12)
- **Make sure the filters (motor safety filter and air filter) are completely dry before re-installing them back in the vacuum cleaner.**  
Failure to do so could result in product damage.
- **Do not attempt to dry the filters in an oven, microwave oven, clothes dryer or any other drying device. Allow them to dry naturally.**  
Failure to do so could result in fire hazard.
- **Do not attempt to dry the filter dry near an open flame.**  
Failure to do so could result in fire hazard.
- **This appliance is not intended for use by persons (including children) with reduced physical, sensory or mental capabilities, or lack of experience or knowledge, unless they under supervision or instruction by a person responsible for their safety.**  
Children should be supervised all times when in close proximity of the vacuum cleaner.
- **Do not approach to vacuum cleaner suddenly, when Robosense™ function activated.**  
Failure to do so could result in personal injury or product damage.
- **The battery for the main body is designed for this vacuum cleaner only. Never use it for any other product.**  
Doing so could result in fire or damage to the product.
- **Do not use the floor nozzle to clean high areas.**
- **Do not carry the vacuum cleaner with the nozzle head connected to the body.**
- **Empty the dust bin frequently to maintain suction.**
- **Always use the vacuum cleaner with the filter unit assembled in the dust bin.**
- **Never remove the hose or pipe when the main power is On.**
- **Use this vacuum cleaner for household use only.**

### **Thermal protector :**

This vacuum cleaner has a special thermostat that protects the vacuum cleaner in the case of the motor overheating. If the vacuum cleaner suddenly shuts off, turn off the Main Power switch, then check the vacuum cleaner for possible cause of overheating such as a full dust tank, a blocked hose or clogged filter. If any of the above causes are found, rectify the issue and wait at least 1 hour before attempting to use the vacuum cleaner. After the 1 hour period, turn on the Main Power Switch.

If the vacuum cleaner still does not run, contact LG Electronics Australia.

## How to use Assembling the vacuum cleaner

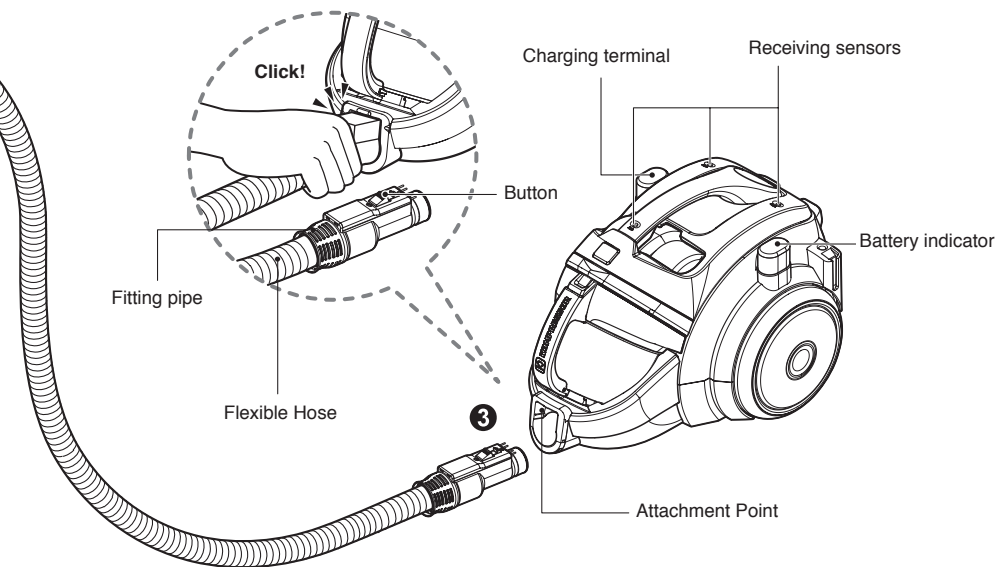


### ① Carpet and floor nozzle (some models only)

Push the telescopic pipe into the nozzle.

### ② Telescopic pipe

- Push the telescopic pipe firmly into the hose handle.
- Hold the Telescopic pipe with one hand and with the other hand push the spring latch forward to extend the telescopic pipe.
- Pull out the pipe to the desired length.

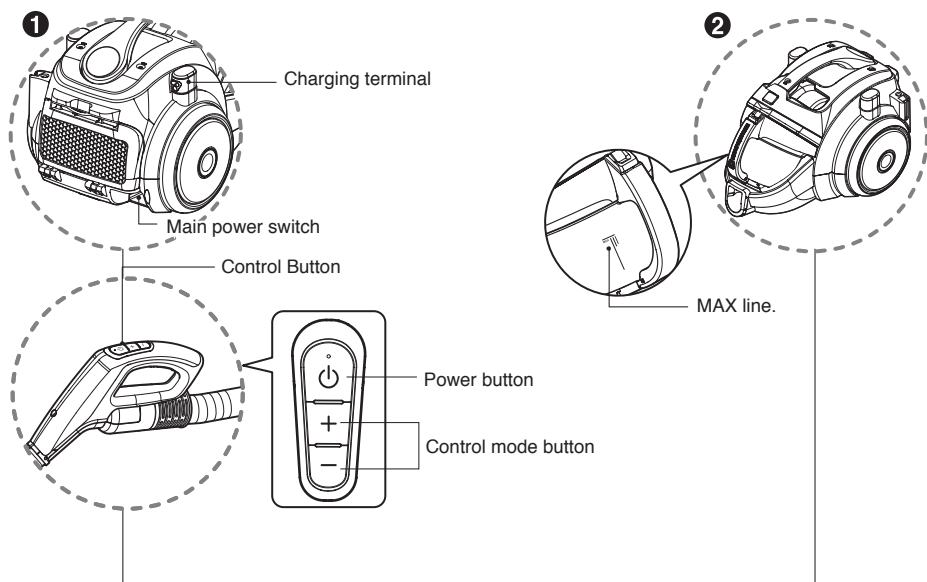


### 3 Connecting the hose to the vacuum cleaner

Push the fitting pipe on the flexible hose into the attachment point on the vacuum cleaner.

To remove the flexible hose from the vacuum cleaner, press the button situated on the fitting pipe, then pull the fitting pipe out of the vacuum cleaner.

# How to use Operating the vacuum cleaner



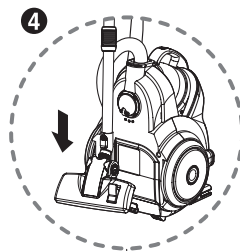
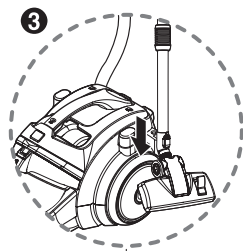
## 1 How to operate

- Disconnect the charging cord from the vacuum cleaner.
- To power on the vacuum cleaner, press down the power button for about 1 second.
- When first powered on, vacuum cleaner is set to 50% power.
- You can adjust the power of the vacuum cleaner using the '+', '-' Buttons.
- To turn the vacuum cleaner off, Push the power button.
- After you have finished using the vacuum cleaner, please charge the unit by connecting the charging cord to the charging terminal.

## 2 Emptying the dust tank

- Always empty the dust tank when the dust tank level reaches the MAX line.

## How to use Operating the vacuum cleaner



### 3 Park mode

- Turn off the Main power switch position before attempting to use the park mode.
- To temporarily support and hold the telescopic pipe and nozzle during vacuuming, use the park mode slot.
- Slide the hook on the nozzle into the slot located on the side of vacuum cleaner. Do not use this slot for storing the vacuum.

### 4 Storage

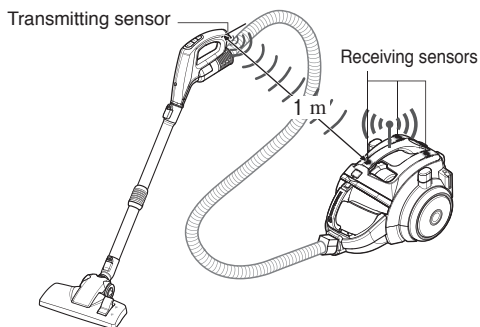
- After you have finished using the product, connect the power cord to the charging terminal.
- You can store your vacuum cleaner in a vertical position by sliding the hook on the underside of the nozzle into the slot on the underside of the vacuum cleaner.

#### **WARNING**

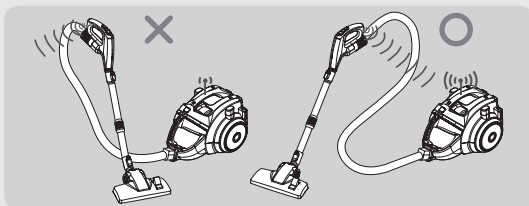
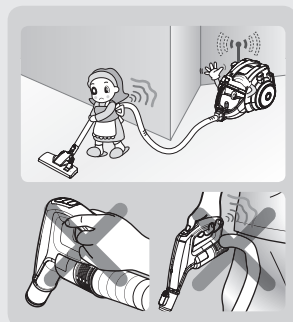
Do NOT vacuum up any liquids.  
Vacuuming liquids will cause a malfunction and damage the unit.

## How to use Robosense™ function

Robosense™ function can measure distance between the user and vacuum cleaner. After the measurement, the vacuum cleaner will move automatically to keep a constant distance (about 1.0m) between the user and the vacuum cleaner provided that the transmitting sensor on the hose handle is unobstructed and operated at a height of approximately 70~90cm off the floor. When the distance between the transmitting sensor in the hose handle and the receiver sensors on the vacuum cleaner becomes more than 1m, the vacuum cleaner will move automatically toward the user. If the distance remains within 1 m, the body just rotates to face the user. The Auto Moving function does not work properly on carpets with long hair (longer than 20 mm).



- When using the vacuum cleaner, be careful not to block the transmitting sensor with any wall or body. If the transmitting sensor is obstructed, the Robosense™ function cannot work properly.
- Keep the direction of the hose handle transmitting sensor in line of sight with the receiving sensors on the vacuum cleaner. If the hose points in the wrong direction, the Robosense™ function cannot work properly.

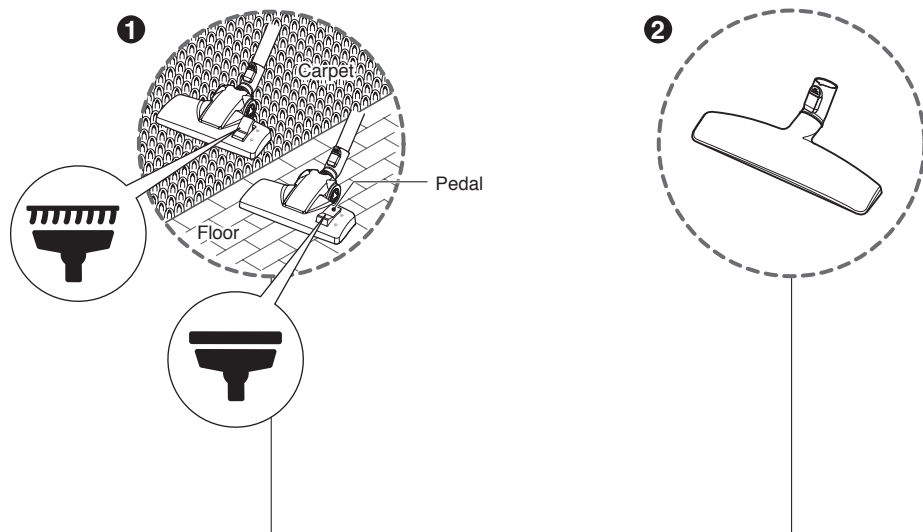


### NOTICE

**The transmitting and receiving sensors must not have any liquid on them.**

This will cause the Robosense™ function not to work properly.

## How to use Using the carpet and floor nozzle / hard floor nozzle



### ① Carpet and floor nozzle (some models only)    ② Hard floor nozzle (some models only)


#### • The 2 position nozzle

This nozzle is equipped with a pedal switch which allows you to alter between the carpet or floor position depending on your current floor type.

#### • Carpet or rug position

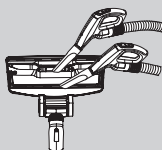
Press the pedal to (  ) icon which will lower the brush.

#### • Hard floor position (tiles, timber flooring)

Press the pedal to (  ) icon to lift the brush up.

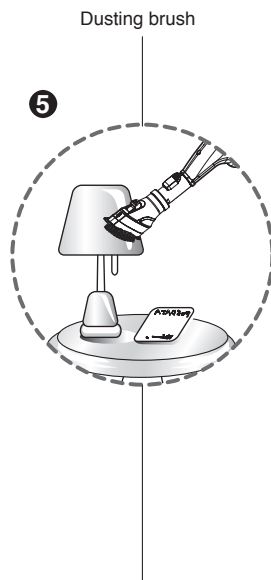
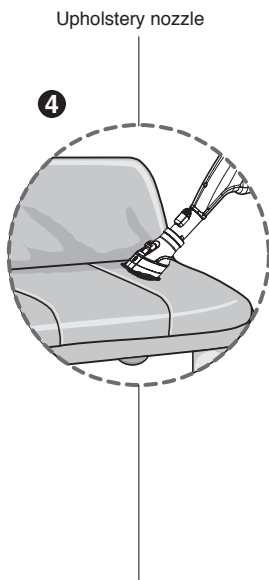
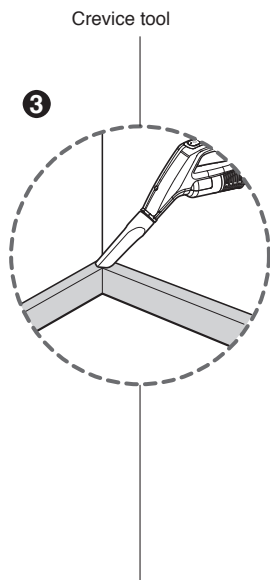
• Efficient cleaning of hard floors (wood, linoleum, etc)

#### • Cleaning the carpet and floor nozzle



• Clean the suction hole and brush of the nozzle if ever clogged or blocked.

## How to use Using the accessory nozzles



### 3 Crevice tool

The crevice tool is for vacuuming in those normally hard to reach places. For example, between the cushions of a sofa.

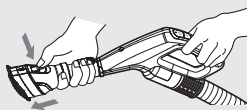
### 4 Upholstery nozzle

The upholstery nozzle is for vacuuming upholstery, mattresses etc.

### 5 Dusting brush

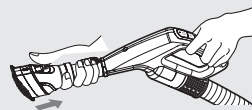
The dusting brush is for vacuuming picture frames, furniture frames, books and other irregular surfaces.

Push the button



<Upholstery nozzle mode>

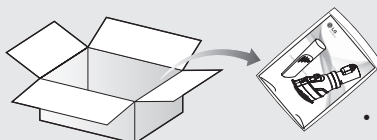
Pull the cover



<Dusting brush mode>

### WARNING

DO NOT use the product to vacuum any delicate items such as a TV, Monitor, furniture, as it may scratch them.

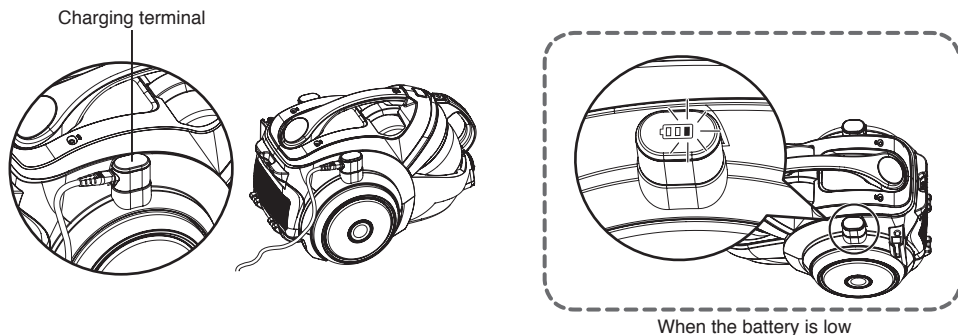


• PE BAG •

• Accessory nozzles are included in the "PE BAG" with owner's manual.



## How to use Charging the Vacuum Cleaner



When the battery is low

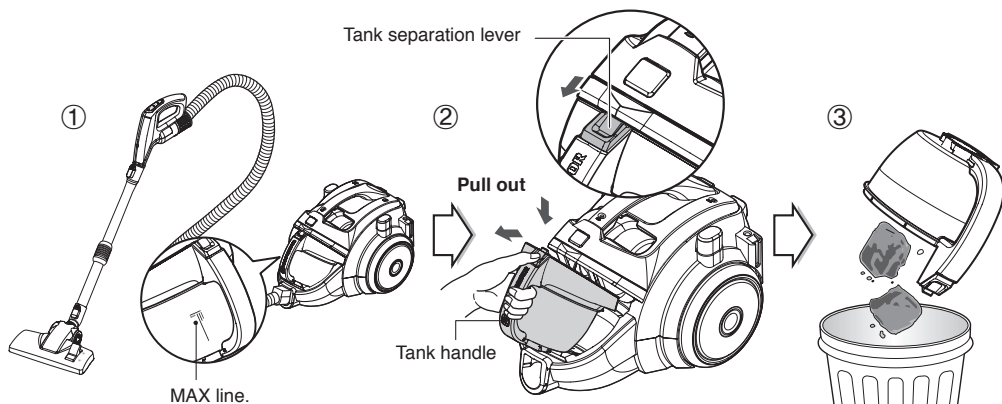
### Battery level indicator

- When the battery is low, use the power cord to recharge the battery.
- Please insert the power cord all the way into the charging terminal.
- When the battery is completely empty, the charging time will be approximately 4 hours.
- To prevent mal-function, the vacuum cleaner will not operate during charging.

The battery indicator shows the following battery power levels.

- ① When the battery power level is low, the battery indicator shows one blinking light.  
The battery indicator will not display unless the unit is switched on and running.  
Note: You can NOT use the vacuum cleaner when it is plugged in and charging.
- ② The battery has an in built over current protection circuit. In the event that the product will suddenly no longer operate or charge due to overheating, it should be turned off and left for an hour unused or connected to the charging cord before attempting to resume any vacuuming or charging.

## How to use Emptying the dust tank

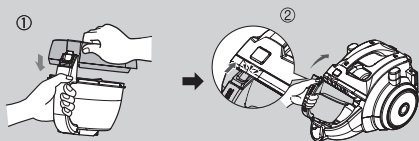


## Moving the vacuum cleaner

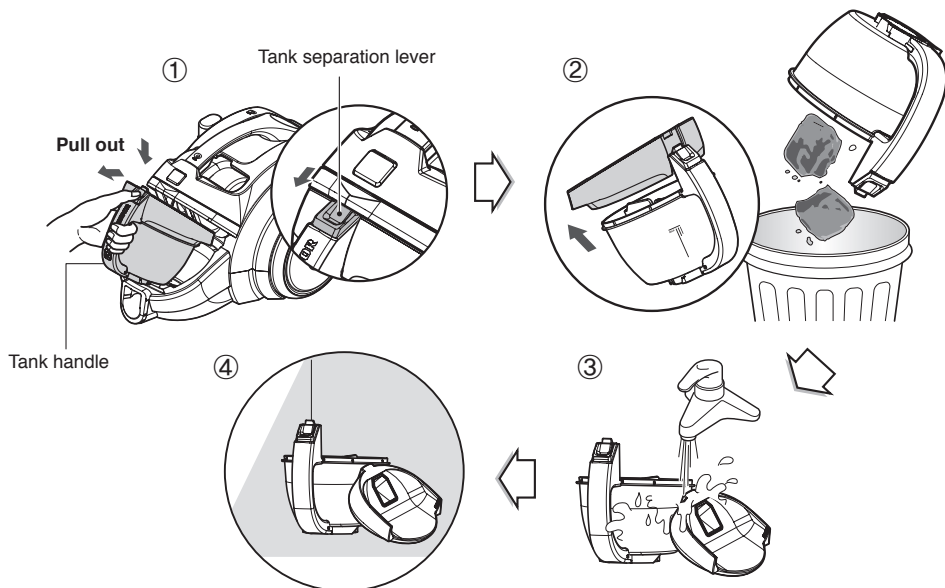
- ① Turn off the vacuum cleaner.
- ② Grasp the handle of the tank and then press the tank separation button, then pull out the dust tank.
- ③ Empty the tank and then re-assemble the dust tank, as shown below.

- The product may fall if you try to carry the vacuum cleaner by the tank handle, which could result in personal injury or product damage. You should always carry the vacuum cleaner by the carrier handle when you are moving the vacuum cleaner.

### Assembling the dust tank



## How to use Cleaning the dust tank

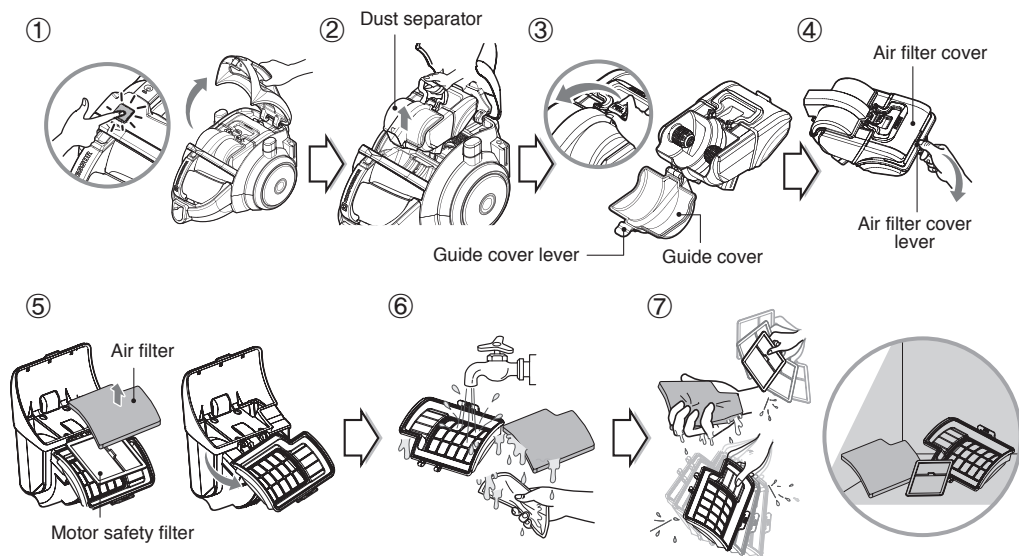


- ① Press the tank separation lever and pull out the dust tank.
- ② Pull up and remove the dust tank cap.
- ③ Wash dust tank.
- ④ Naturally dry and make sure all parts are completely dry before re-assembling.

### NOTICE

If the suction power decreases after cleaning the dust tank, clean the air filter and the motor safety filter. ➔ See next page

## How to use Cleaning the air filter and motor safety filter

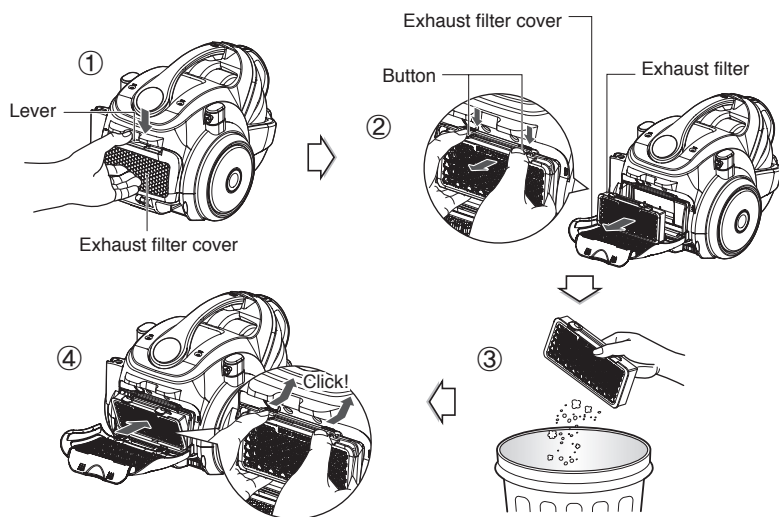


- ① Open the vacuum cleaner cover by pushing the button.
- ② Grasp the handle of the dust separator and pull it out.
- ③ Open the guide cover by pulling the guide cover lever and remove any dust.
- ④ Open the air filter cover by pushing the air filter cover lever and take out the air filter.
- ⑤ Separate the Air filter & Motor safety filter from the dust separator.
- ⑥ Wash the air filter and the motor safety filter.  
DO NOT wash filters with hot water.
- ⑦ Naturally dry and make sure parts are completely dry before re-assembling.

### NOTICE

Be sure to wash the filters at least every month. If filters are worn or damaged, do not use them and call LG Electronics Australia or an LG Authorised Service Centre

## How to use Cleaning the exhaust filter



• The exhaust filter is reusable.

- ① To clean the exhaust filter, remove the exhaust filter cover on the body by pushing the lever downwards and pulling it out.
- ② Then push the lever down on the exhaust filter and remove from vacuum cleaner body.
- ③ Remove any dust from the filter. (DO NOT wash filter with water.)

### Exhaust filter cover reassembly.

- line the lugs up on the bottom of the exhaust filter and pull the filter in making sure the top clip is secure.
- line the lugs up on the bottom of the exhaust filter cover and push the cover in making sure the top clip is secure.

### NOTICE

The exhaust filter should be cleaned at least once every 6 months

# What to do if your vacuum cleaner does not work

Check the charging cord is disconnected and please make sure that the main switch is turned on.

## What to do when the vacuum cleaner does not work

- Check if the battery has been charged.
- Check the charging cord is disconnected from the charging terminal and make sure that the main switch is turned on.
- Disassemble the hose from the main vacuum body, and then reassemble them.

## What to do when the suction performance decreases

- Check nozzles, flexible hose, telescopic pipe, dust separator and dust bin for any foreign objects that could be causing a blockage and remove if necessary.
- Check if the motor-protecting filter or exhaust filter is dirty.
- Check if the dust separator is correctly attached to the vacuum's main body.



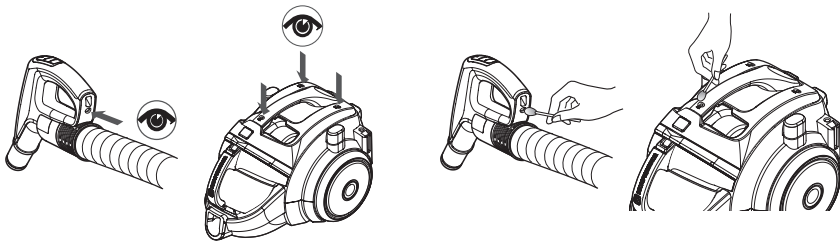
## Disposal of your old appliance

1. All electrical and electronic products should be disposed of separately from the municipal waste stream via designated collection facilities appointed by the government or the local authorities.
2. The correct disposal of your old appliance will help prevent potential negative consequences for the environment and human health.
3. For more detailed information about disposal of your old appliance, please contact your Local Council, waste disposal service or the retailer where the product was purchased.

The equipment complies with requirements of the Technical Regulation, in terms of restrictions for the use of certain dangerous substances in electrical and electronic equipment.

## What to do if Robosense™ function does not work.

- Check that the transmitting sensor and receiving sensors are free from liquids and dust.
- Please make sure that they are not blocked by obstacles (wall, clothes, etc.).  
If the sensors are blocked, Robosense™ function cannot work properly. Refer to page 10.
- If the transmitting sensor and receiving sensors are blocked by dust, clean the sensors using a dry cotton swab or Cotton Q-tip. Clean the sensor holes periodically.



### NOTICE

For safety reasons, the wheels motor speed will be instantly reduced if the motor encounters any electrical noise interference.

