



Install Manual

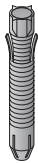
Wall mounting bracket

Please read this manual carefully before operating your set and retain it for future reference.

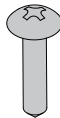
OTW150



COMPONENT



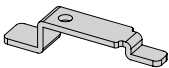
Wall mount anchor
6 units



Wall mount screw
10 units



Install manual



Safety clip 2 units



Safety clip screw 2 units
(M4 X 12 mm)



Set protection cushion
4 units



Two mounting screws
for each type of guide spacer
(Top : M6 X 35 mm
Bottom : M6 X 29 mm)



Two top guide spacers



Two bottom guide spacers



IMPORTANT SAFETY INSTRUCTIONS

- If you are a professional installer, please read this manual carefully before installing the product.
- If you are a professional installer, please give this manual to the user after installing the product and ensure that the user also reads the manual carefully and retains it for future reference.

After reading the manual, please keep it handy for future reference.



Warning

The product should be installed by a qualified professional specified by the retail store.

Product installation by non-qualified personnel is very dangerous and may cause personal injury.

The product should be installed where its weight can be fully supported.

If the product is installed on a weak surface, the product may fall, causing injury.

When moving or replacing the product after installation, contact a qualified installer specified by the retail store.

Installation or movement of the product must be carried out by a skilled professional. If an unqualified person moves and installs the product, it may cause safety risks.

Do not hang on this product, protect the product from severe impacts after the installation.

The product may fall and cause injury.

Be sure not to hang the power cable and signal cable on the back of TV when installing the wall-mounted TV.

Damaged cables may result in fire, electric shock, or damage to the product.



Caution

Follow the instructions in this manual to product properly.

If you do not follow these instructions, the product may be installed incorrectly and cause serious injury or the product may become damaged.

When installing the product, first check that the wall is strong enough. Use the anchors and screws provided.

If you use anchors and screws that are not specified by the manufacturer, they may not hold the weight of the product, causing safety issues.

Do not clean the product with a wet towel, and do not place a heater, or humidifier beneath it.

Moisture, steam or heat permeating into this product may result in fire, electric shock or product damage.

Make sure that the power cord is removed from the outlet before installing the product.

Otherwise, it may cause an electric shock or fire.

Be sure to use the accessory cable provided. Otherwise, friction between the product and the wall may cause damage to the connector.

To install or adjust the height of the product, two or more people are needed.

If you try to install or move the product alone, it may fall and cause injury or the product may become damaged.

When drilling holes into the wall, make sure you use a drill and drill bit with the specified diameter. Ensure that you also follow the instructions regarding the depth of the holes.

Otherwise, the product may be installed incorrectly and cause safety issues.

Keep this product away from sprinklers, sensors, high-tension wires and power sources. Do not install it in a location where vibrations or impacts are likely to occur.

Wear safety gloves when installing the product. Do not use your bare hands.

Otherwise, it may cause personal injury.



BEFORE INSTALLATION

- * Do not use the product for purposes other than mounting a display on the wall.
 - * When installing/using the wall mount, be cautious of product damage and avoid accidents.
 - * If you have not fully read and understood the installation manual, do not install the product and contact the dealer to have a specialized installer install the product for you.
 - * Even if you are not a specialized installer, it is advantageous to have experience in mechanical or construction field in completely understanding this manual and installing the product.
 - * This product is designed to be mounted to walls that use standard intervals between the studs.
 - * Install the screw to attach the wall mount so that it can be assembled at the center from both ends of the studs. Use of a stud finder, a separate device, is recommended.
 - * When installing the wall mount on a concrete wall or on any other wall capable of holding the strength specified in the manual, you can detach the standard gap bracket for stud wall mounting and then follow the instructions for attaching the wall mount to make the installation easier.
 - * Install the product only on a vertical wall.
The manufacturer is not responsible for issue from installing the product on an angled wall or on the ceiling.
 - * Check that the accessories provided with the product are all included before installing. LG Electronics is not liable for any damage or loss of accessories after the package has been opened.
 - * Keep the included accessories out of reach of babies or children as it can cause safety issues including suffocation from swallowing the parts.
 - * Make sure screws are tight against the wall, but do not overtighten.
Applying excessive force to screws may damage to the wall, affect the product performance, or cause the product to become damaged.
 - * Be careful not to install a TV that exceeds the weight restrictions of the wall mount.
 - * Be careful with the tools used during installation to prevent accidents or damage.
- Tools you will need - Phillips head + driver (manual or motorized) / 8 mm socket wrench / Level / Stud finder / Drill.
You may also need an Ø 4 mm drill bit for wood (or steel) or an Ø 8 mm drill bit for concrete.

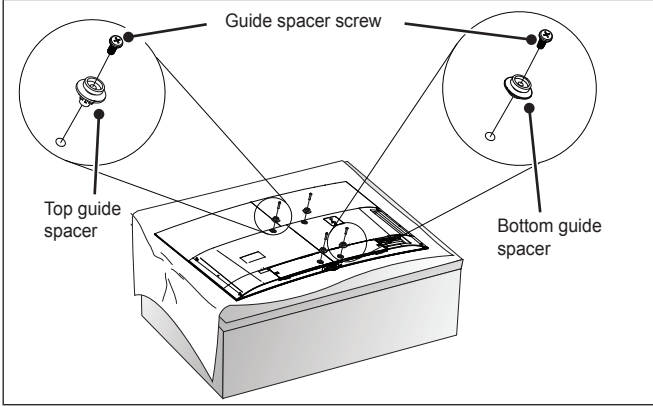


INSTALLATION

- The actual product may differ from the picture.

1 How to Attach the Brackets for the Product to the TV

- If the screw will not fully tighten when using a guide spacer, recheck the assembly depth of the screw and refer to the technical service manual.

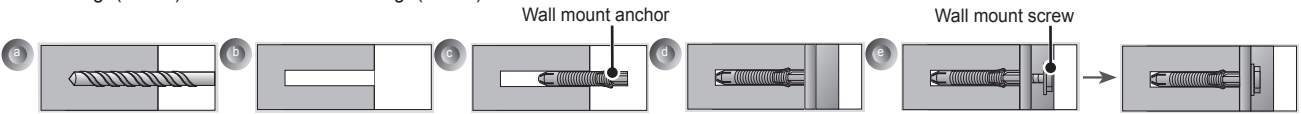


- Work procedure
- 1. Check to see if the display has Guide spacer screws installed into the mounting holes. If so, remove those.
- 2. Assemble the guide spacer and the guide spacer screw in order as shown in the picture.
 - Place the TV on a table with the screen facing down. Make sure that you place it on a flat surface covered with a soft cloth or cushion to protect it from scratches.
 - Secure the guide spacers to the TV with the screws. Assemble the guide spacer to the set by tightening the screw. Tighten the screw until the set, guide spacer and the screw are fully pressing against one another.
 - Use the + driver (manual or motorized) when tightening the screw.

2 How to attach to masonry walls

Please follow the below direction.

- Check the material of the wall and the thickness of the finishing.
- Use the Wall mount anchor for wall material of concrete, light concrete, strong natural stone, soft natural stone masonry brick and hollow block that do not crack.
- Do not mount the device on the walls made from plasterboard or medium density fiberboard (MDF). In this case, the anchor and screws must be inserted into the concrete behind the finish surface. If there is no concrete on the other side, then you must first install a separate hanger to securely install the anchors and screws.
- When installing the product on wall material not designated, install the product so that each location can withstand the pull out load of 70 kgf (686 N) and shear load of 100 kgf (980 N) or above.

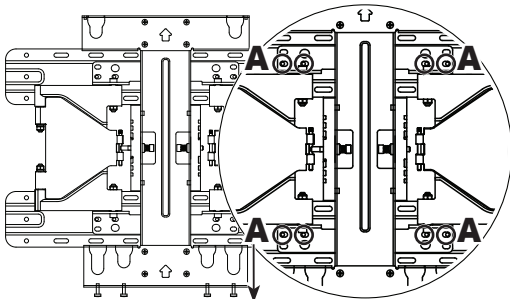


- Use the Ø 8 mm drill bit for concrete and hammer (Impact) drill.
- a. Use a drill bit Ø 8 mm to drill a hole for the anchor location within a depth of 80 mm - 100 mm.
- b. Clean the drilled hole.
- c. Insert the sealed Wall mount anchor to the hole. (When inserting the anchor, use a hammer.)
- d. Set the wall mount on the wall by aligning to the location of the hole. and, set the angle adjusting part to face upward.
- e. Align the wall mount screw to the hole and tighten it. Then, fasten the screws at torque of 45 kgf/cm - 60 kgf/cm.

3 How to install the wall mount

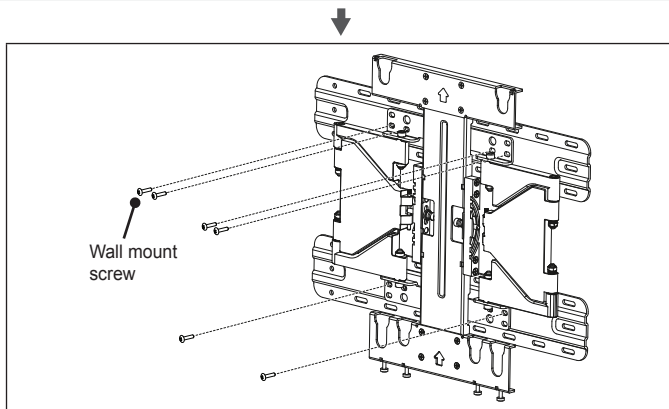
When installing on a masonry wall

- When you separate the 8 screws on the wall mount connected to the wall bracket for use with a wooden wall, it is much easier to install the product.



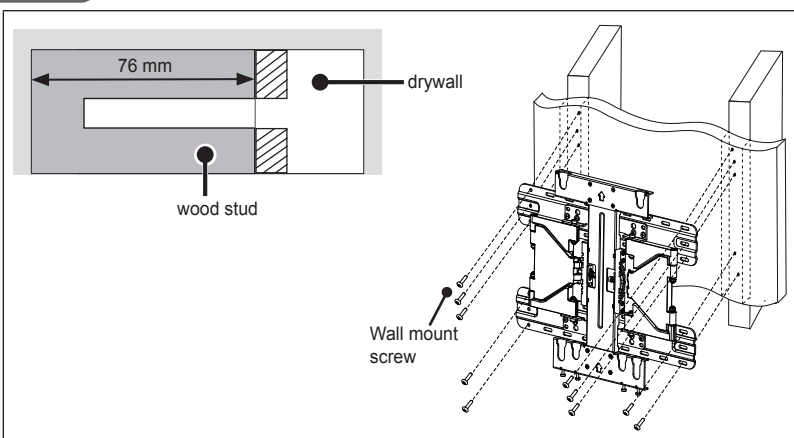
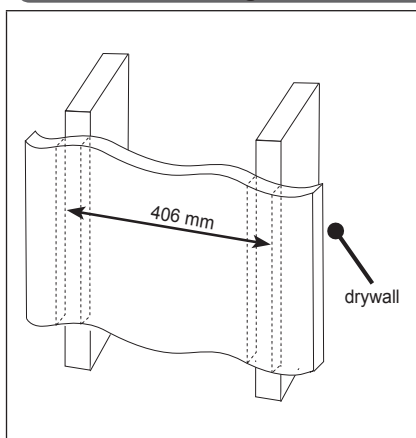
Separate the wall mount screw.

- When installing the product on a masonry wall, turn the 8 screws on the A part counterclockwise to separate the screw and bracket.
- After aligning the wall bracket to the location to install, mark the part to screw on the wall and then remove the wall bracket.
- Refer to next picture to attach the wall bracket.
- Use a level to check whether the wall mount is level.



- If the screw cannot be assembled in the designated location inevitably, it can be assembled by rearranging to the closest location. But, do not change 2 or more locations from the designated spot.
- Assemble the wall mount screw on 2 left and 2 right location on the top part and 1 left and 1 right location on the bottom part.
- At this time, use a + driver (manual or motorized) or 8 mm wrench to tighten the screw so that the wall, wall bracket and screw are completely pressed against one another.

When mounting to wooden studs



- a. Locate and mark the centers of the wall studs using a stud finder.
- b. After aligning the wall bracket on the wall where the center of the wood stud is marked, mark the location of the screws and then remove the wall bracket.
- c. Use a level to make sure your screw marks are level.
- d. Use the Ø 4 mm drill bit for wood to drill holes with the depth of 76 mm or above where the wall mount screw location is marked on the wall.
- e. Clean the drilled hole.
- f. Tighten the wall mount screws for the wall bracket on the drilled hole.
 - At this time, tighten the screw so that the wall, wall bracket and the wall mount screw are pressed against one another. (Drywall can be damaged when tightened with excessive force, please be careful.)
 - When tightening the screw use the + driver (manual or motorized) or 8 mm wrench.

4 How to assemble the wall mount support and display

- Always install the display with 2 or more people.

* Assembling the wall mounting bracket, product and safety clip.

* Caution : Prevent the power cord from being pinched between the wall mounting bracket and the set when installing the set. (A pinched power cord may cause an electrical short.)

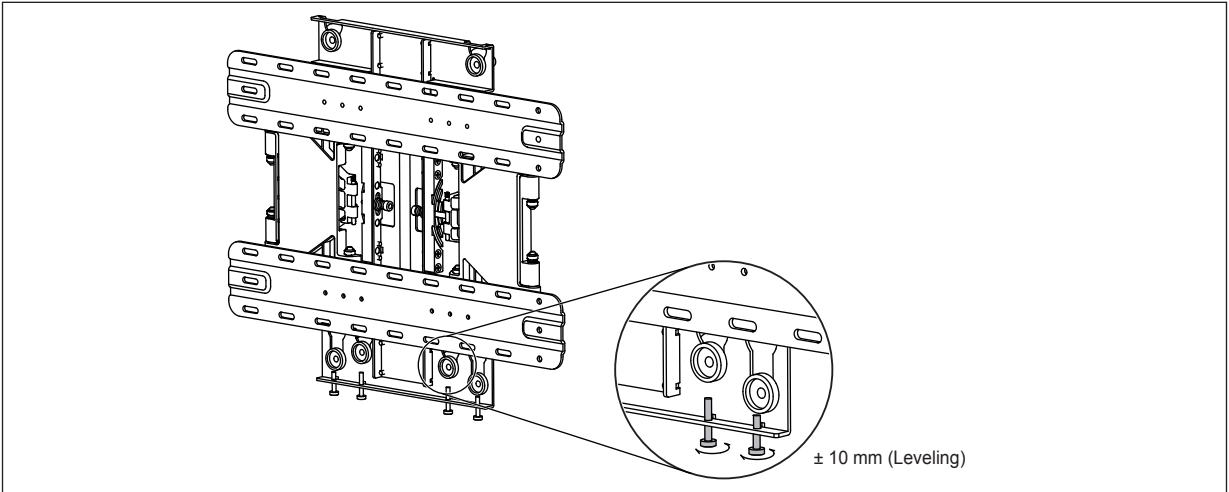
* Locations of the bottom guide spacers

55/65EF9500 ,65EG9600 MODEL	55EG9600/55EG9200 MODEL

1. Set the display with the guide spacer assembled on the wall mount bracket on the wall in arrow direction. At this time, align the bottom assembly part and lift the set up lightly to align the top part.
2. When adjusting the location, assemble the provide safety clip as shown in the picture to prevent the product from moving. Tighten the safety clip screw completely. If the safety clip is not tightened as shown in the picture, the product can fall off.
 - Pull on the bottom of the set to make sure the display is secure.
 - When fixing the product with the speaker to the wall, hold and lift up the product, not the speaker.
 - When installing a display rotated, only rotate the display 90 degrees (portrait mode).
 - Make sure to keep a certain level of distance from the wall so that excessive force is not applied on the cable or accessory.
 - When you push the product with excessive force, the product can be damaged.

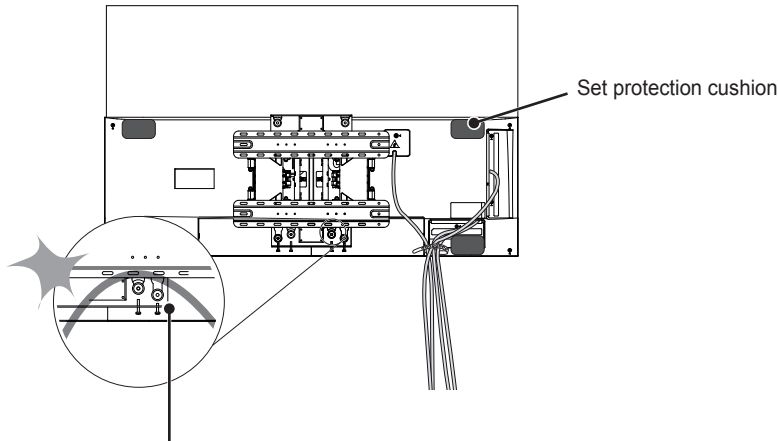
5 How to level the Display

- After installing the display, check to make sure it is level.
(The product goes up or down according to the rotation direction of the screw.)



6 How to Organize Cables and Attach Protective Cushions

- Organize the cables as shown in the illustration. Please purchase a band for cable organization, or use the band that comes with the TV.
- Attach the protective cushions to minimize the impact between the wall and the TV in case they bump against each other when adjusting the angle. Attach them in the desired positions, as illustrated.



Prevent the power cord and the cables from being pinched between the wall mounting bracket and the wall.

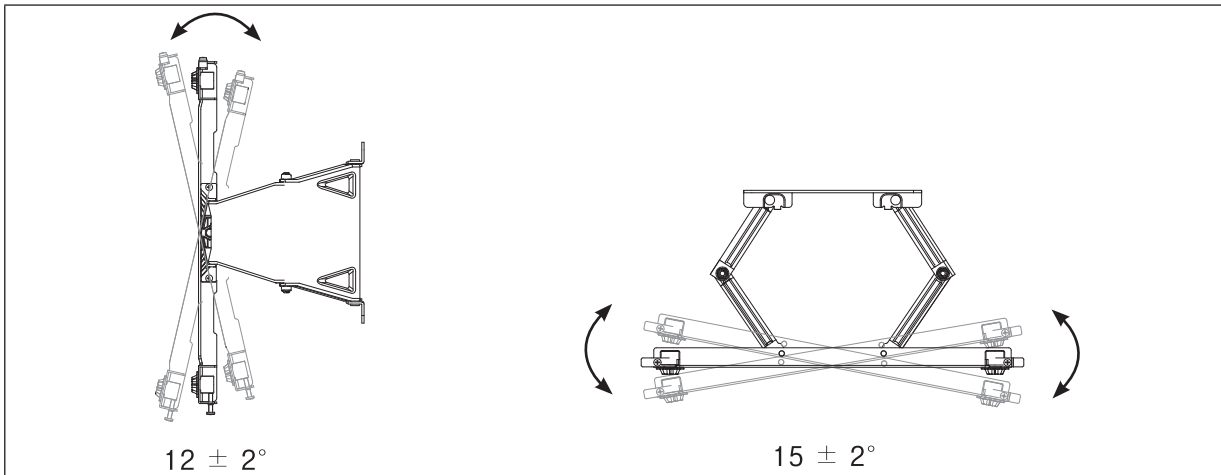
SPECIFICATIONS

<With the bracket removed.>

Model name	OTW150
Width (mm)	376
Height (mm)	390
Depth (mm)	24.5
Product weight (kg)	2.9
Max. tensile load (kg)	50

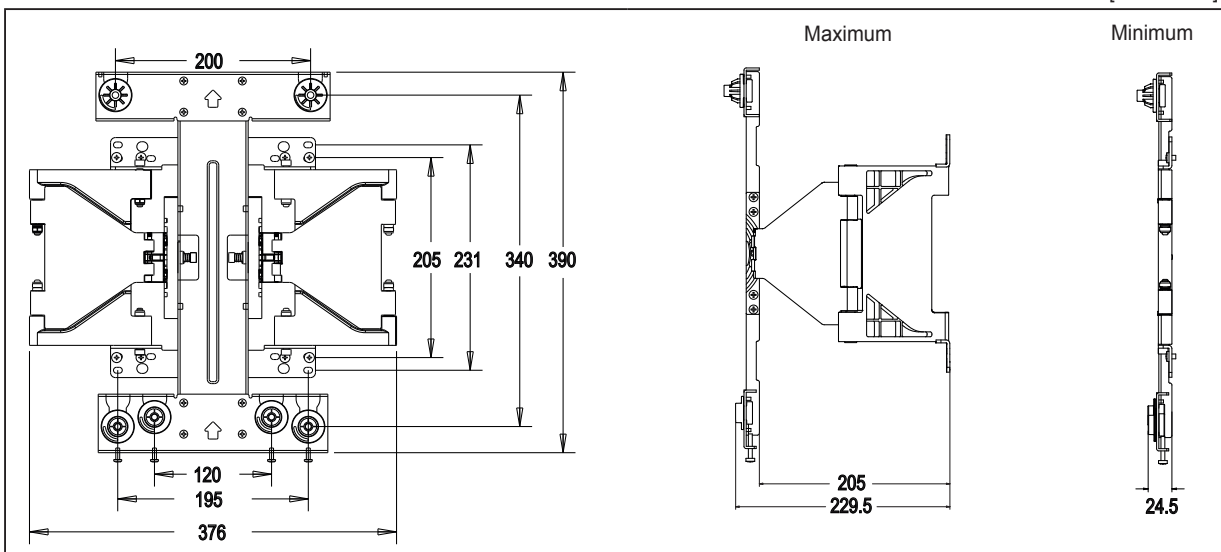
<With the bracket attached.>

Model name	OTW150
Width (mm)	460
Height (mm)	390
Depth (mm)	30.5
Product weight (kg)	4.6
Max. tensile load (kg)	50



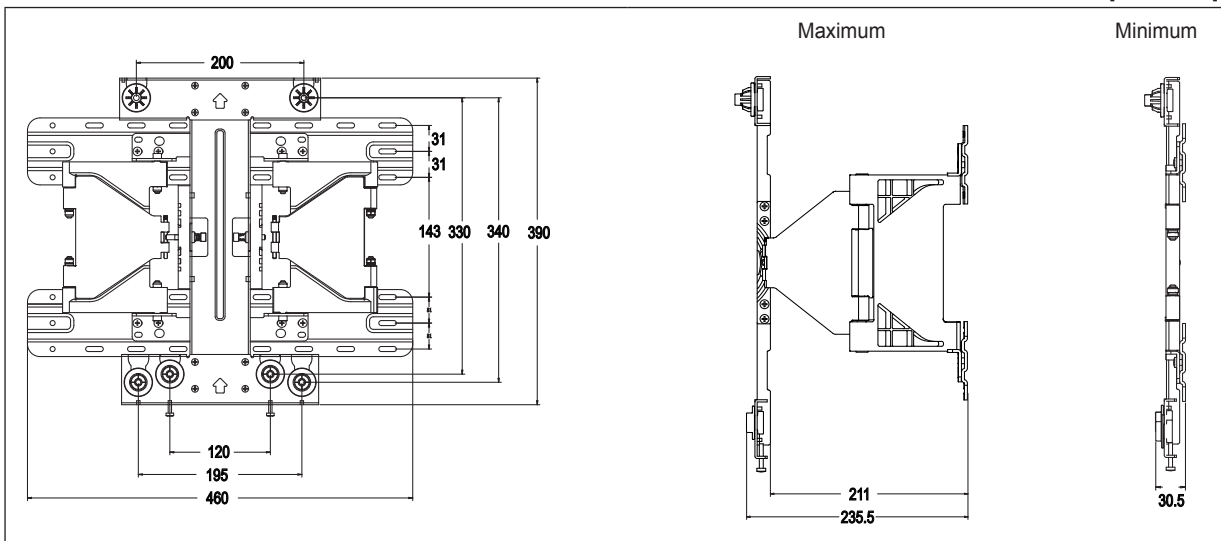
<With the bracket removed.>

[Unit : mm]



<With the bracket attached.>

[Unit : mm]





The model and serial number of the product is located on the back or one side of the product. Record it below should you ever need service.

MODEL _____

SERIAL _____

Supported Displays
(Please contact the retailers or refer to the TV owner's manual for applicable models.)