



使用手冊
OWNER'S MANUAL

VC74070NCAQ



MFL68480307

www.lg.com

新型旋風真空吸塵器

本資訊含有關於安全使用及維護真空吸塵器的重要指示。為了您的安全，請務必閱讀第 4、5 和 6 頁上的所有資訊。請將本手冊保存在容易取得的地方並隨時查閱。

LG CORDLESS VACUUM CLEANER

This information contains important instructions for the safe use and maintenance of the vacuum cleaner. Especially, please read all of the information on page 7, 8, 9 for your safety. Please keep this manual in an easily accessible place and refer to it anytime.

目錄

Table of contents

重要安全說明	4~6
Important safety instructions	7~9
使用方式	10~19
How to use	
組裝真空吸塵器	10~11
Assembling vacuum cleaner	
操作真空吸塵器	12
Operating vacuum cleaner	
使用地毯與地板吸嘴及硬質地板吸嘴	13
Using carpet and floor nozzle and Hard floor nozzle	
使用配件吸嘴	14
Using accessory nozzles	
充電真空吸塵器	15
Charging the Vacuum Cleaner	
清空塵箱	16
Emptying dust tank	
清潔塵箱	17
Cleaning dust tank	
清潔空氣過濾網與馬達安全過濾網	18
Cleaning air filter and motor safety filter	
清潔排氣濾網	19
Cleaning exhaust filter	
若真空吸塵器無法運作要如何處理	20
What to do if your vacuum cleaner does not work	
當真空吸塵器無法運作時要如何處理	20
What to do when the vacuum cleaner does not work	
當抽吸性能衰退時要如何處理	20
What to do when the suction performance decreases	

重要安全說明

在使用真空吸塵器之前，請閱讀並遵守所有說明，以防止在使用真空吸塵器時出現火災、觸電、人身傷害或損壞等風險。本指南不包含可能出現的所有可能情況。若存在無法理解的問題，請務必聯絡您的服務代理商或製造商。此電器符合下列 EC 指令：-2006/95/EC 低電壓指令，-2004/108/EC EMC 指令。



這是安全警示符號。

此符號提醒您注意可能傷害您和其他人或可能致命的潛在危險。

所有的安全訊息均將顯示在安全警示符號和「警告」或「注意事項」文字之後。

「警告」或「注意事項」的涵義：



警告

此符號將提醒您注意可能造成嚴重人身傷害或死亡的危險或不安全行為。



注意事項

此符號將提醒您注意可能造成人身傷害或財產損壞的危險或不安全行為。



警告

1. 身體、感知或心理能力較弱者或缺乏經驗及知識的人群 (包括兒童) 不宜使用該電器，除非有負責其安全的人員給予有關使用該電器的監督或指引。
2. 應監督兒童，避免其把玩該電器。
3. 如電源線損壞，必須由 LG Electronics 服務代理商更換，以免造成危險。
4. 8 歲以下的兒童和身體、精神或感知能力有缺陷的人，以及沒有操作經驗者和對此設電器知不足的人，需在監督或得到有關安全使用該產品並理解其危險的指導後方可使用。兒童不應把玩本電器。不應讓兒童在沒有監督的情況下進行清潔和維護。
5. **注意事項：** 此軟管含有電氣連接：
 - 請勿用於吸水；
 - 請勿浸入水中清洗；
 - 應定期檢查軟管，如有損壞，禁止使用。

重要安全說明

警告

- 在維修或清潔裝置前或不使用吸塵器時，請切斷電源供應。否則可能會造成觸電或人身傷害。
- 請勿使用真空吸塵器吸取正在燃燒或冒煙的物品，例如香煙或熱灰燼。否則可能會造成死亡、火災或觸電。
- 請勿清掃可燃性或爆炸性物質，例如汽油、苯、稀釋劑、丙烷 (液體或氣體)。這些物質產生的煙氣可能會造成火災或爆炸。否則可能會造成死亡或人身傷害。
- 請勿在手潮濕時操作插頭或真空吸塵器。否則可能會造成死亡或觸電。
- 請勿用拉電線的方式來拔下插頭。否則可能會造成產品損壞或觸電。若要拔下插頭，請抓住插頭而不是電線。
- 請讓頭髮、寬鬆衣物、手指和所有身體部位遠離開口處及移動的零件。否則可能會造成觸電或人身傷害。
- 軟管含有電纜線。若軟管受損、被刺穿，請勿使用。否則可能會造成死亡或觸電。
- 請勿當作玩具使用。當由兒童使用或在兒童附近使用時，請務必格外注意。可能會造成人身傷害或產品損壞。
- 若電源線或插頭受損或故障，請勿使用真空吸塵器。可能會造成人身傷害或產品損壞。若有這些情況，請聯絡 LG 電子產品服務代理商以避免造成危險。
- 若真空吸塵器泡在水中，請勿使用。可能會造成人身傷害或產品損壞。若有這些情況，請聯絡 LG 電子產品服務代理商以避免造成危險。
- 若任何零件似乎遺失或受損，請勿繼續使用吸塵器。可能會造成人身傷害或產品損壞。若有這些情況，請聯絡 LG 電子產品服務代理商以避免造成危險。
- 請勿將延長線使用在本真空吸塵器上。可能會造成火災或產品損壞。
- 請使用正確電壓。使用不正確的電壓可能會造成馬達損壞與使用者受傷。正確電壓列在真空吸塵器底部。
- 在拔下插頭之前請先關閉所有控制器。否則可能會造成觸電或人身傷害。
- 請勿以任何方式更換插頭。否則可能會造成觸電或人身傷害或產品損壞。這樣做會造成危險。若插頭不合適，請聯絡合格電工以安裝正確插座。若電源線損壞，必須由製造商或其服務代理商或類似合格人員進行更換，以避免危險發生。
- 電器維修僅可以由合格維修工程師執行。不適當的維修可能會對使用者造成嚴重危險。
- 請勿用水清洗真空吸塵器機身。
- 請勿讓任何金屬接觸充電端子以及機身與軟管的連接接頭。
- 在清潔機身之前，請拔下電源線並關閉主電源。請務必使用乾布來清潔機身。
- 請避免將產品尤其是電池放在靠近任何熱源或陽光直射的地方。否則有爆炸和火災的危險。
- 在處置電池時，請依照適當的處置方法。否則有爆炸的危險。
- 請勿在浴室中使用本產品。
- 當本產品發生問題時，請停止使用吸塵器並關閉主電源。
- 請勿將本產品放在靠近工業油煙或金屬微粒的地方。否則可能會造成火災或產品受損。
- 若電池漏液，請避免接觸皮膚或眼睛。若電池液接觸到皮膚或眼睛，請立即用大量清水沖洗該部位並尋求醫療照護。電池液可能會造成皮膚燒傷或視力喪失。

重要安全說明

⚠ 注意事項

- 請勿將任何東西放入開口處。
否則可能會造成產品故障。
- 任何開口處堵塞時請勿使用：清除灰塵、線頭、毛髮以及任何可能減少氣流的東西。
否則可能會造成產品損壞。
- 在塵箱及/或過濾器未裝好時請勿使用真空吸塵器。
否則可能會造成產品損壞。
- 在使用真空吸塵器清掃地毯、清潔劑或清新劑、粉末或細灰後，請務必清理集塵筒
這些產品會堵塞過濾器、減少氣流並可能會造成吸塵器損壞。若未清理集塵筒可能會造成吸塵器永久損壞。
- 請勿使用真空吸塵器來吸取尖銳硬質物品、小玩具、別針、紙夾等。
這些東西可能會損壞吸塵器或集塵筒。
- 請將真空吸塵器存放在室內。
在使用後請將真空吸塵器收好以免絆倒。
- 真空吸塵器在沒有監督的情況下不適合幼童或體弱的人使用。
否則可能會造成人身傷害或產品損壞。
- 僅可使用 LG 電子產品服務代理商生產或建議的零件。
否則可能會造成產品損壞。
- 僅可依照本手冊所述的方式使用。僅可使用 LG 建議或許可的附件和配件。
否則可能會造成人身傷害或產品損壞。
- 為避免人身傷害並防止機器掉落，在清潔樓梯時請將機器遠放在樓梯底部。
否則可能會造成人身傷害或產品損壞。
- 在移動真空吸塵器時請勿抓住塵箱把手。
在分離真空吸塵器的塵箱與機身時，機身可能會掉落。
可能會造成人身傷害或產品損壞。
在移動真空吸塵器時應該抓住拖行把手。(第16頁)
- 請確定過濾器(馬達安全過濾器及空氣過濾器)在機器中更換時為完全乾燥。
否則可能會造成產品損壞。
- 請勿在烤箱或微波爐中烘乾過濾器。
否則可能會造成火災。
- 請勿在烘衣機中烘乾過濾器。
否則可能會造成火災。
- 請勿在靠近開放火焰的地方進行烘乾。
否則可能會造成火災。
- 請勿使用尚未乾燥的過濾器。
- 若電源線損壞，必須由經過核可的 LG 電子產品服務代理商更換，以免造成危險。
- 身體、感知或心理能力較弱者或缺乏經驗及知識的人群(包括兒童)不宜使用該電器，除非有負責其安全的人員給予有關使用該電器的監督或指引。
應監督兒童，避免其把玩該電器。
- 用於主機身的電池是專為本真空吸塵器而設計。切勿將該電池用於任何其他產品。
否則可能會造成火災或產品損壞。
- 請勿使用地板吸嘴來清潔高層區域。
- 在弄乾過濾器時，請勿使用加熱裝置如乾燥器或加熱器。將其留置在通風處並讓其完全乾燥。
- 在吸嘴頭仍連在機身上時請勿搬運真空吸塵器。
- 請經常清空集塵筒以使其保持清潔。
- 請務必在過濾器裝置已裝在集塵筒中時才使用真空吸塵器。
- 當主電源開啟時切勿拆下軟管或管子。
- 僅可將本真空吸塵器用於家庭用途。

過熱保護器：

本真空吸塵器設有專用恆溫器，可在馬達過熱時保護真空吸塵器。若真空吸塵器突然關機，請關閉主電源開關。檢查真空吸塵器是否有可能造成過熱的來源，例如裝滿的塵箱、塞住的軟管或堵塞的過濾器。若發現這些狀況，請在嘗試清理並在使用真空吸塵器前先等待至少 30 分鐘。在 30 分鐘過後，請打開主電源開關。

若真空吸塵器仍無法運作，請聯絡合格電工。

IMPORTANT SAFETY INSTRUCTIONS

Read and follow all instructions before using your vacuum cleaner to prevent the risk of fire, electric shock, personal injury, or damage when using the vacuum cleaner. This guide do not cover all possible conditions that may occur. Always contact your service agent or manufacturer about problems that you do not understand. This appliance complies with the following EC Directives :-2006/95/EC Low Voltage Directive -2004/108/EC EMC Directive.



This is the safety alert symbol.

This symbol alerts you to potential hazards that can kill or hurt you and others.

All safety messages will follow the safety alert symbol and either the word "WARNING" or "CAUTION."

These words mean:



This symbol will alert you to hazards or unsafe practices which could cause serious bodily harm or death.



This symbol will alert you to hazards or unsafe practices which could cause bodily injury or property damage.

WARNING

1. This appliance is not intended for use by persons (including children) with reduced physical, sensory or mental capabilities, or lack of experience and knowledge, unless they have been given supervision or instruction concerning use of the appliance by a person responsible for their safety.
2. Children should be supervised to ensure that they do not play with the appliance.
3. If the supply cord is damaged, it must be replaced by LG Electronics Service Agent in order to avoid a hazard.
4. This appliance can be used by children aged from 8 years and above and persons with reduced physical, sensory or mental capabilities or lack of experience and knowledge if they have been given supervision or instruction concerning use of the appliance in a safe way and understand the hazards involved. Children shall not play with the appliance. Cleaning and user maintenance shall not be made by children without supervision.

IMPORTANT SAFETY INSTRUCTIONS

WARNING

- 5. CAUTION:** This hose contains electrical connections:
- do not use to suck up water ;
 - do not immerse in water for cleaning;
 - the hose should be checked regularly and must not be used if damaged.

WARNING

- **Disconnect electrical supply before servicing or cleaning the unit or when cleaner is not in use.**
Failure to do so could result in electrical shock or personal injury.
- **Do not use vacuum cleaner to pick up anything that is burning or smoking such as cigarettes, or hot ashes.**
Doing so could result in death, fire or electrical shock.
- **Do not vacuum flammable or explosive substances such as gasoline, benzene, thinners, propane (liquids or gases).**
The fumes from these substances can create a fire hazard or explosion. Doing so could result in death or personal injury.
- **Do not handle plug or vacuum cleaner with wet hands.**
Doing so could result in death or electrical shock.
- **Do not unplug by pulling on cord.**
Doing so could result in product damage or electrical shock. To unplug, grasp the plug, not the cord.
- **Keep hair, loose clothing, fingers, and all parts of the body away from openings and moving parts.**
Failure to do so could result in electrical shock or personal injury.
- **The hose contains electrical wires. Do not use it if it is damaged, cut punctured.**
Failure to do so could result in death, or electrical shock.
- **Do not allow to be used as toy. Close attention is necessary when used by or near children.**
Personal injury or product damage could result.
- **Do not use the vacuum cleaner if the power cord or plug is damaged or faulty.**
Personal injury or product damage could result. In these cases, contact LG Electronics Service Agent to avoid hazard.
- **Do not use vacuum cleaner if it has been under water.**
Personal injury or product damage could result. In these cases, contact LG Electronics Service Agent to avoid hazard.
- **Do not continue to vacuum if any parts appear missing or damaged.**
Personal injury or product damage could result. In these cases, contact LG Electronics Service Agent to avoid hazard.
- **Do not use an extension cord with this vacuum cleaner.**
Fire hazard or product damage could result.
- **Using proper voltage.**
Using improper voltage may result in damage to the motor and possible injury to the user. Proper voltage is listed on the bottom of vacuum cleaner.
- **Turn off all controls before unplugging.**
Failure to do so could result in electrical shock or personal injury.
- **Do not change the plug in any way.**
Failure to do so could result in electrical shock or personal injury or product damage. Doing so result in death. If plug does not fit, contact a qualified electrician to install the proper outlet.
If the supply cord is damaged, it must be replaced by the manufacturer, its service agent or similarly qualified persons in order to avoid a hazard.
- **Repairs to electrical appliances may only be performed by qualified service engineers.**
Improper repairs may lead to serious hazards for the user.
- **Do not wash the body of the vacuum cleaner with water.**
- **Do not allow any metals to touch the charging terminal and the connecting joints of the body and hose.**
- **Before cleaning the body, unplug the power cord and turn off the main power. Always use a dry cloth to clean the body.**
- **Avoid placing the product, the battery in particular, near any heat source or direct sunlight.**
There is danger of an explosion or a fire.
- **When disposing of batteries, please follow appropriate disposal methods.**
There is danger of an explosion.
- **Do not use the product in bathrooms.**
- **When a problem occurs with the product, stop vacuuming and turn off the main power.**
- **Do not place the product near industrial oil fumes or metal particulates.**
Doing so could result in fire or damage to the product.
- **If the battery has leaked, avoid contact with the skin or eyes. If the battery fluid gets on your skin or in your eyes, immediately rinse the affected part with plenty of water and seek medical attention.**
Battery fluid may cause a burn on your skin or loss of eyesight.

IMPORTANT SAFETY INSTRUCTIONS

CAUTION

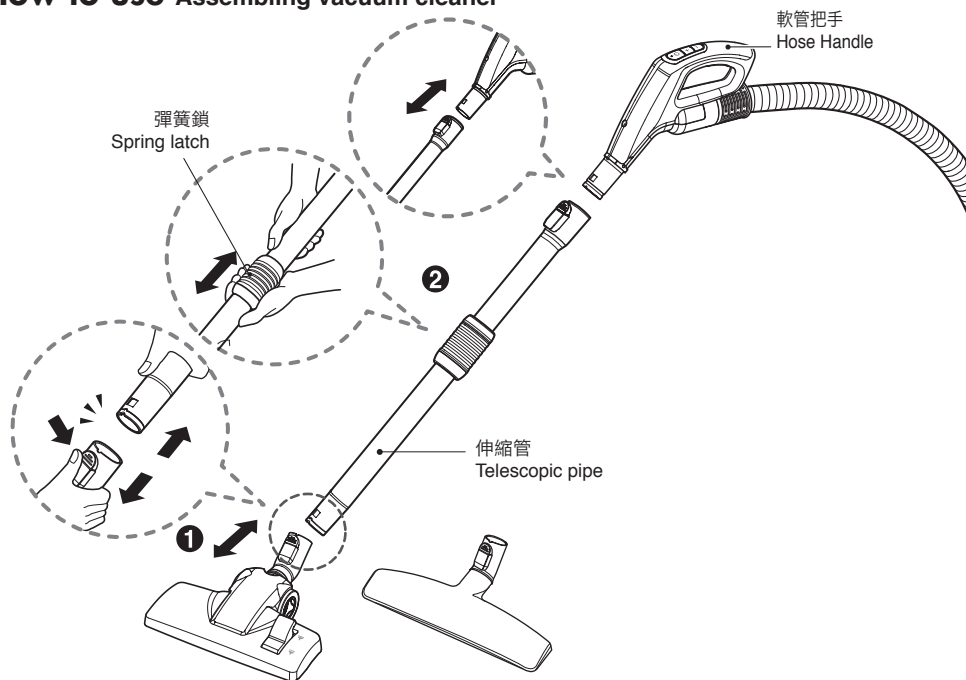
- **Do not put any objects into openings.**
Failure to do so could result in product damage.
- **Do not use with any opening blocked: keep free of dust, lint, hair, and anything that may reduce air flow.**
Failure to do so could result in product damage.
- **Do not use vacuum cleaner without the dust tank and/or filters in place.**
Failure to do so could result in product damage.
- **Always clean the dust bin after vacuuming carpet cleaners or fresheners, powders and fine dust.**
These products clog the filters, reduce airflow and can cause damage to the cleaner. Failure to clean the dust bin could cause permanent damage to the cleaner.
- **Do not use vacuum cleaner to pick up sharp hard objects, small toys, pins, paper clips, etc.**
They may damage the cleaner or dust bin.
- **Store the vacuum cleaner indoors.**
Put the vacuum cleaner away after use to prevent tripping over it.
- **The vacuum cleaner is not intended to use by young children or infirm people without supervision.**
Failure to do so could result in personal injury or product damage.
- **Only use parts produced or recommended by LG Electronics Service Agents.**
Failure to do so could result in product damage.
- **Use only as described in this manual. Use only with LG recommended or approved attachments and accessories.**
Failure to do so could result in personal injury or product damage.
- **To avoid personal injury and to prevent the machine from falling when cleaning stairs, always place it at the bottom of stairs.**
Failure to do so could result in personal injury or product damage.
- **Do not grasp the tank handle when you are moving the vacuum cleaner.**
The vacuum cleaner's body may fall when separating tank and body. Personal injury or product damage could result.
You should grasp the carrier handle when you are moving the vacuum cleaner. (Page 12)
- **Make sure the filters (motor safety filter and air filter) are completely dry before replacing in the machine.**
Failure to do so could result in product damage.
- **Do not dry the filter in an oven or microwave.**
Failure to do so could result in fire hazard.
- **Do not dry the filter in a clothes dryer.**
Failure to do so could result in fire hazard.
- **Do not dry near an open flame.**
Failure to do so could result in fire hazard.
- **Do not use filters that is not dried.**
- **If the power cord is damaged, it must be replaced by an approved LG Electronics Service Agent to avoid a hazard.**
- **This appliance is not intended for use by persons (including children) with reduced physical, sensory or mental capabilities, or lack of experience and knowledge, unless they have been given supervision or instruction concerning use of the appliance by a person responsible for their safety.**
Children should be supervised to ensure that they do not play with the appliance.
- **The battery for the main body is designed for this vacuum cleaner only. Never use it for any other product.**
Doing so could result in fire or damage to the product.
- **Do not use the floor nozzle to clean high areas.**
- **When you dry the filter, do not use a heating device such as a dryer or heater. Leave it in an airy place and let it dry completely.**
- **Do not carry the vacuum cleaner with the nozzle head connected to the body.**
- **Empty the dust bin frequently to keep it clean.**
- **Always use the vacuum cleaner with the filter unit assembled in the dust bin.**
- **Never remove the hose or pipe when the main power is On.**
- **Use this vacuum cleaner for household use only.**

Thermal protector :

This vacuum cleaner has a special thermostat that protects the vacuum cleaner in case of motor overheating. If the vacuum cleaner suddenly shuts off, turn off the main power switch. Check the vacuum cleaner for possible source of overheating such as a full dust tank, a blocked hose or clogged filter. If these conditions are found, fix them and wait at least 30 minutes before attempting to use the vacuum cleaner. After the 30 minute period, turn on the main power switch. If the vacuum cleaner still does not run, contact a qualified electrician.

使用方式 組裝真空吸塵器

How to use Assembling vacuum cleaner



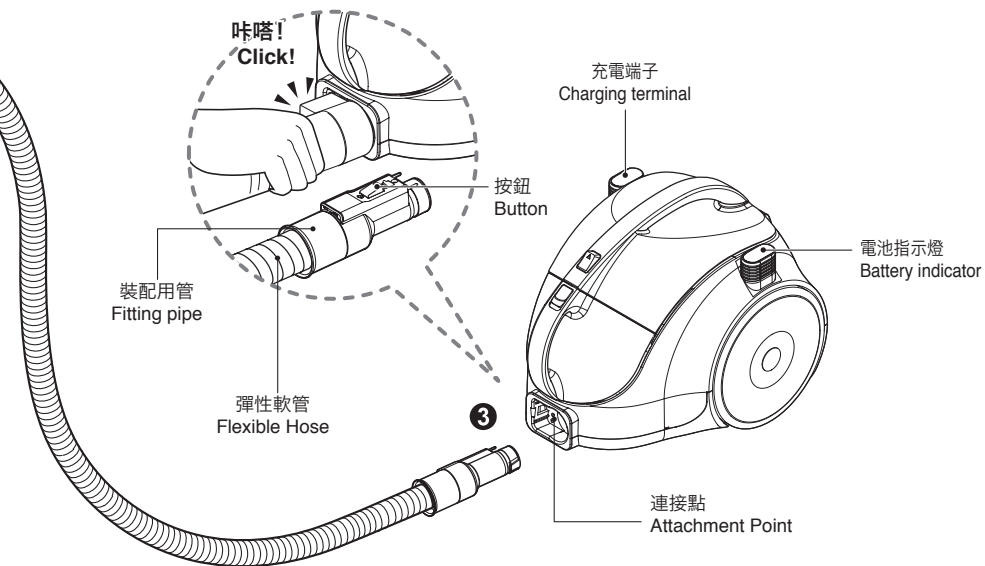
❶ 地毯與地板吸嘴 (依機型而定) Carpet and floor nozzle (depend on model)

將吸嘴推入伸縮管。

Push the nozzle into the telescopic pipe.

❷ 伸縮管 Telescopic pipe

- 將伸縮管穩固推入軟管把手。
- 抓住彈簧鎖來伸長。
- 將伸縮管向外拉到所需長度。
- Push telescopic pipe firmly into hose handle.
- Grasp the spring latch to expand.
- Pull out the pipe to desired length.



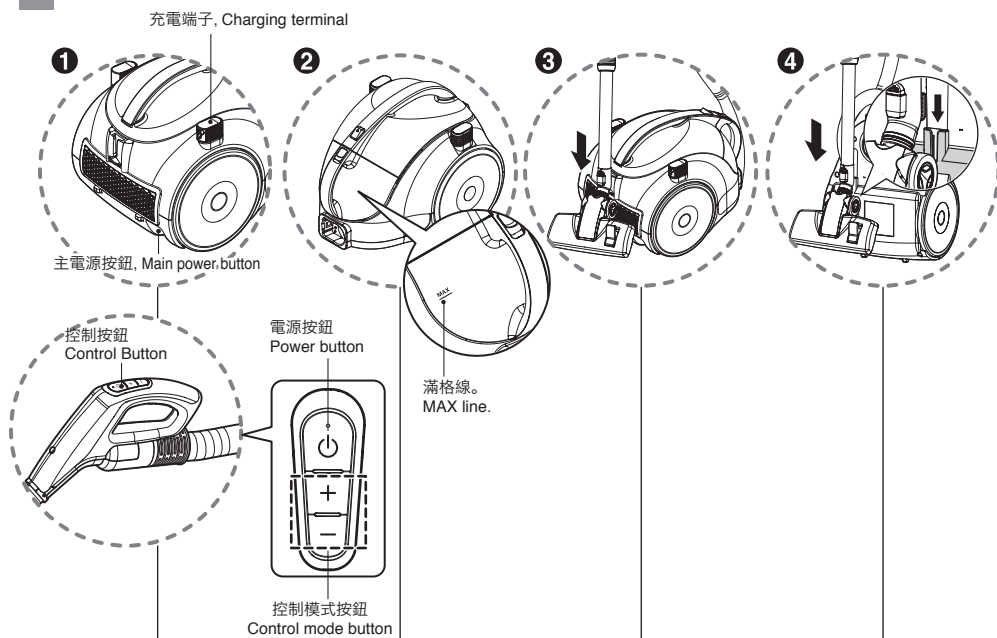
3 將軟管連接到真空吸塵器 Connecting the hose to the vacuum cleaner

將彈性軟管上的裝配用管推入真空吸塵器上的連接點。
若要从真空吸塵器上拆下彈性軟管，請按壓位於裝配用管上的按鈕，
接著將裝配用管從真空吸塵器上拉出。

Push the fitting pipe on the flexible hose into the attachment point on the vacuum cleaner.
To remove the flexible hose from the vacuum cleaner, press the button situated on the fitting pipe, then pull the fitting pipe out of the vacuum cleaner.

使用方式 操作真空吸塵器

How to use Operating vacuum cleaner



1 操作方式 How to operate

- 請將充電線從本產品上拆下。
- 若要操作真空吸塵器，請持續按下電源按鈕約 1 秒鐘。
- 在開啟時，模式為中動力。
- 您可以使用「+」、「-」按鈕來控制動力模式。
- 若要關閉，請按下電源按鈕。
- 在使用後，請將充電線連接到本產品。
- Please disconnect the charging cord from the product.
- To operate the vacuum cleaner, press down the power button for about 1 second.
- When you turn it on, Mode is the Middle power.
- You can control Mode of the power using '+', '-' Button.
- To turn off, Push the power button.
- After the used, Please connect the charging cord to the product.

2 清空塵箱 Emptying the dust tank

- 請務必在塵箱灰塵量到達滿格線時清空塵箱。
- Always empty the dust tank when the dust tank level reaches the MAX line.

3 停駐模式 Park mode

- 在停駐前請關閉主電源開關。
- 若要在吸塵器使用期間停放，例如要搬動小件傢俱或地墊，請使用停駐模式來支撐彈性軟管及吸嘴。
 - 將吸嘴上的鉤子滑入真空吸塵器側邊上的插槽。
- Turn off the Main power switch before park.
- To store during vacuuming, for example to move a small piece of furniture or a rug, use park mode to support the flexible hose and nozzle.
 - Slide the hook on the nozzle into the slot on the side of vacuum cleaner.

4 存放 Storage

- 在使用產品後，請將充電線連接到本產品。
- 您可以透過將吸嘴上的鉤子滑入真空吸塵器側上的插槽而以直立姿勢存放真空吸塵器。
- After the used product, please connect the charging cord to the product.
- You can store your vacuum cleaner in a vertical position by sliding the hook on the nozzle into the slot on the underside of the vacuum cleaner.



警告

不能進行液體吸取。
液體吸取可造成故障。

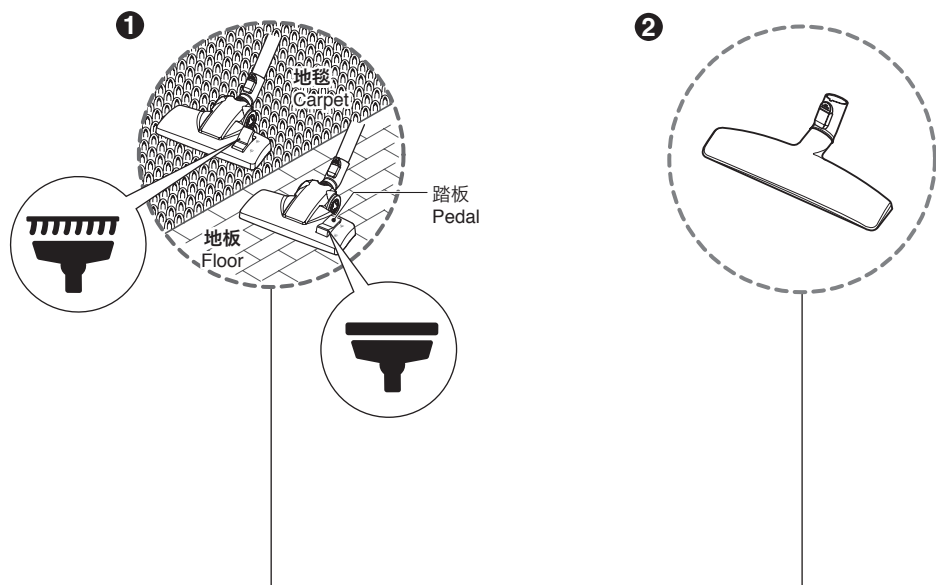


WARNING



No liquid suction.
Liquid suction can cause defects.



使用方式 使用地毯與地板吸嘴及硬質地板吸嘴

How to use Using carpet and floor nozzle and Hard floor nozzle

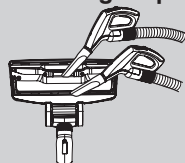


① 地毯與地板吸嘴 (依機型而定) Carpet and floor nozzle (depend on model)

- 雙位置吸嘴 配備有踏板，能讓您依據要清潔的地板類型來改變其位置。
- 地毯或地墊位置 按壓踏板 () 以降下刷子。
- 硬質地板位置 (磁磚、拼花地板) 按壓踏板 () 以升起刷子。

- **The 2 position nozzle** This is equipped with a pedal which allows you to alter its position according to the type of floor to be cleaned.
- **Carpet or rug position** Press the pedal () to lower brush.
- **Hard floor position** (tiles, parquets floor) Press the pedal () to lift the brush up.

• 清潔地毯與地板吸嘴 • Cleaning carpet and floor nozzle



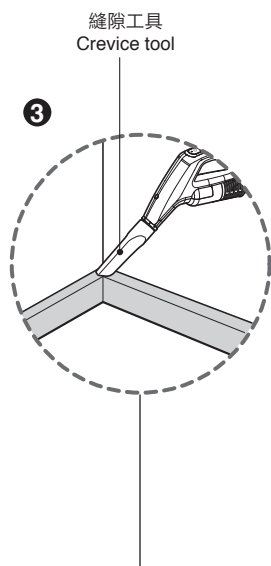
- 清潔吸嘴孔與吸嘴刷。
- Clean the hole and brush of nozzle.

② 硬質地板吸嘴 (依機型而定) Hard floor nozzle (depend on model)

- 有效率清潔硬質地板 (木頭、油氈等)
- Efficient cleaning of hard floors (wood, linoleum, etc)

使用方式 使用配件吸嘴

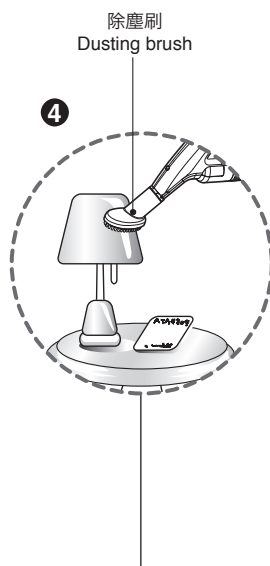
How to use Using accessory nozzles



③ 縫隙工具 Crevice tool

縫隙工具是用來清掃正常難以觸及的地方，例如清掃蜘蛛網或沙發的坐墊之間。

Crevice tool is for vacuuming in those normally hard-to-reach places such as reaching cobwebs or between the cushions of a sofa.



④ 除塵刷 Dusting brush

除塵刷是用來清掃相框/畫框、傢俱框架、書籍與其他不規則表面。

Dusting brush is for vacuuming picture frames, furniture frames, books and other irregular surfaces.

注意

在將本產品使用在電視、LCD、監視器或傢俱上時請務必留意，其可能造成微小刮痕。

NOTICE

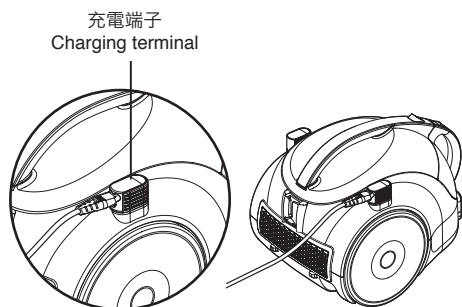
Be cautious to use the product on TV, LCD, Monitor or furniture, it can cause small scratch.



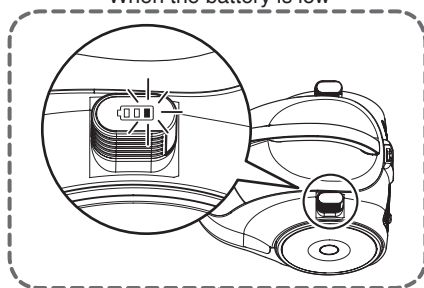
- 配件吸嘴跟使用手冊放在「PE 袋」內。
- Accessory nozzles are included in the "PE BAG" with owner's manual.

使用方式 充電真空吸塵器

How to use Charging the Vacuum Cleaner



當電池電量低
When the battery is low



電池電量指示燈 Battery level indicator

- 當電池電量低時，請使用電源線來為電池充電。
 - 請將電源線完全插入充電端子。
 - 當電池完全耗盡時，充電時間約為 4 個小時。
 - 為防止操作發生異常，充電期間吸塵器將無法同時運轉。
- When the battery is low, use the power cord to recharge the battery.
 - Please insert the power cord all the way into the main charging terminal.
 - When the battery is completely drained, the charging time is approximately 4 hours.
 - To prevent mal-function, the vacuum cleaner will not operate during charging.

電池指示燈會顯示下列電池電量。

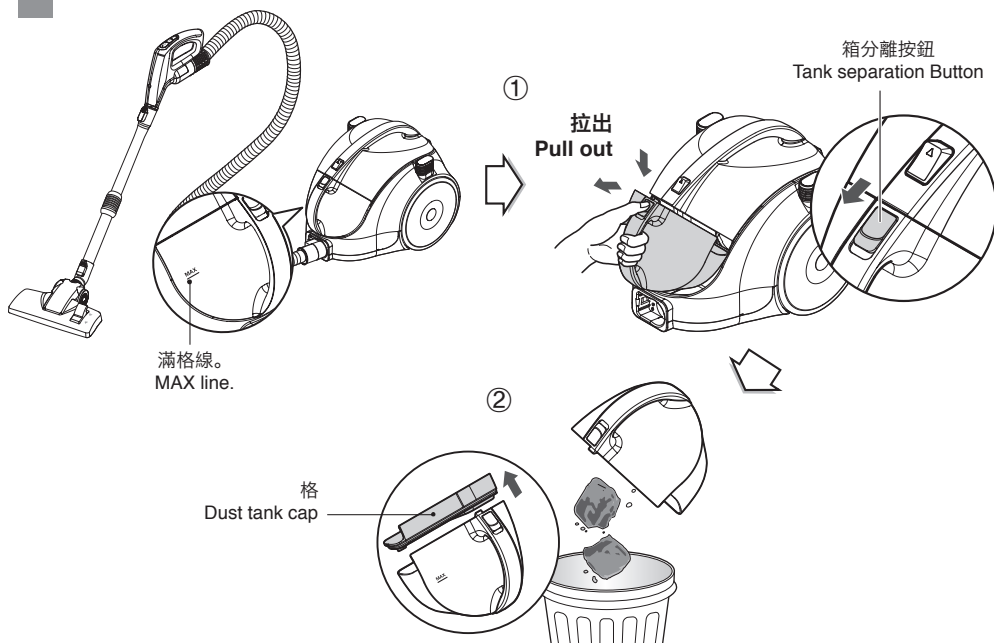
- ① 當電池電量低時，電池指示燈會閃燈。
- ② 當電池完全充滿時，真空吸塵器可以在高動力模式下運行 17 分鐘。
- ③ 在操作保護電路時，您可以在大約一個小時後充電與使用本產品。

The battery indicator shows the following battery power levels.

- ① When the battery power level is low, the battery indicator shows one blinking light.
- ② When the battery is fully charged, the vacuum cleaner runs for 17 minutes on high-powered mode.
- ③ In case of operating the protection circuit, You can charge & use the product after approximately one hour later.

使用方式 清空塵箱

How to use Emptying dust tank



清潔塵「箱」

- ① 抓住塵箱把手接著按壓箱分離按鈕。
- ③ 清空塵箱接著如下所示將之裝回。

Cleaning the dust "tank"

- ① Grasp the handle of the tank and then press the tank separation button. Pull out the dust tank.
- ② Empty the tank and then assemble the dust tank as shown.

注意

若在清空塵箱後吸力衰退，請清潔塵箱。➔ 下一頁

NOTICE

• If suction power decreases after emptying the dust tank, clean the dust tank ➔ next page

移動真空吸塵器

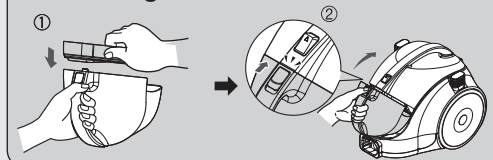
• 在移動真空吸塵器時請勿抓住塵箱把手。在分離真空吸塵器的塵箱與機身時，機身可能會掉落。在移動真空吸塵器時應抓住拖行把手。

Moving the vacuum cleaner

• Don't grasp the tank handle when you are moving the vacuum cleaner. The vacuum cleaner's body may fall when separating tank and body. You should grasp the carrier handle when you are moving the vacuum cleaner.

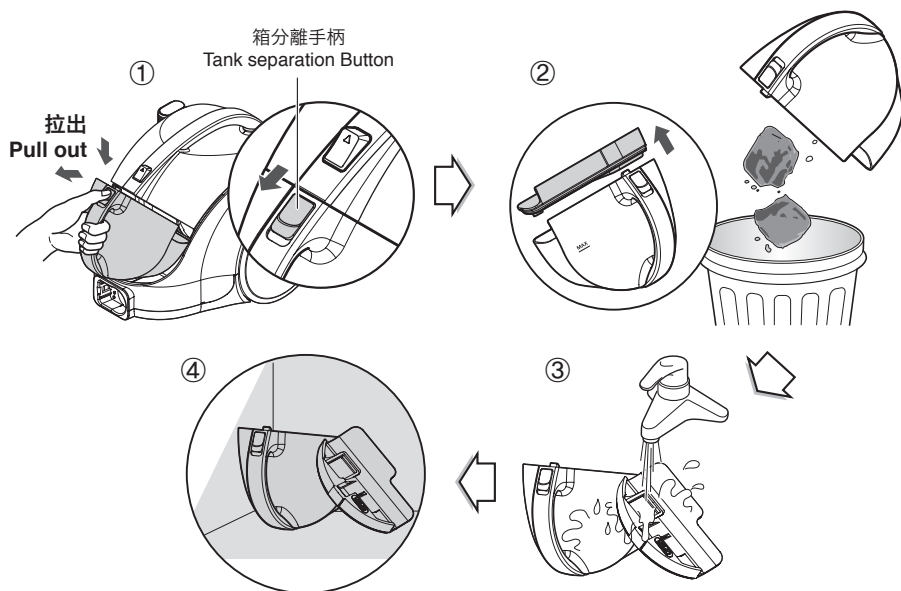
裝回塵箱

Assembling the dust tank



使用方式 清潔塵箱

How to use Cleaning dust tank



- ① 按壓箱分離按鈕然後將塵箱拉出。
- ② 抬起集塵箱上蓋。
- ③ 清洗塵箱。
- ④ 完全陰乾以將水氣全部移除。

- ① Press tank separation button and pull out the dust tank.
- ② Raise the dust tank cap.
- ③ Wash the dust tank.
- ④ Dry fully in shade so that moisture is entirely removed.

注意

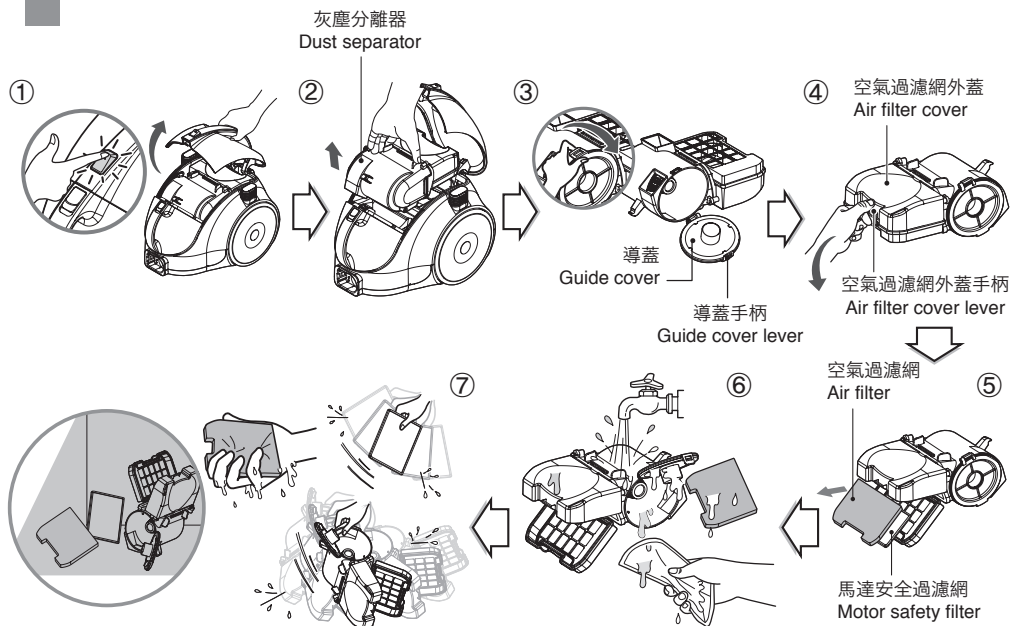
若在清潔塵箱後吸力衰退，請清潔空氣過濾網與馬達安全過濾網。➔ 下一頁

NOTICE

If suction power decreases after cleaning the dust tank, clean the air filter and the motor safety filter. ➔ Next page

使用方式 清潔空氣過濾網與馬達安全過濾網

How to use Cleaning air filter and motor safety filter



若在清潔塵箱後吸力衰退，請清潔空氣過濾網與馬達安全過濾網。
空氣過濾網與馬達安全過濾網位於真空吸塵器頂部，如圖片中上方所示。

- ① 拉動按鈕來打開真空吸塵器外蓋。
- ② 抓住灰塵分離器把手然後將其取出。
- ③ 拉動導蓋手柄來打開導蓋然後清除灰塵。
- ④ 推動空氣過濾網外蓋手柄來打開空氣過濾網外蓋然後取出空氣過濾網。
- ⑤ 將空氣過濾網及馬達安全過濾網與灰塵分離。
- ⑥ 清洗空氣過濾網及馬達安全過濾網。請勿用熱水清洗過濾網。
- ⑦ 完全陰乾以將水氣全部移除。空氣過濾網及馬達安全過濾網應該如以上圖片中所示來清潔。

If suction power decreases after cleaning the dust tank clean the air filter and the motor safety filter. The air filter and the motor safety filter are located on the top of the vacuum cleaner as above the figure.

- ① Open the vacuum cleaner cover by pulling the button.
- ② Grasp the handle of the dust separator and take it out.
- ③ Open the guide cover by pulling the guide cover lever and remove the dust.
- ④ Open the air filter cover by pushing the air filter cover lever and take out the air filter.
- ⑤ Separate the Air filter & Motor safety filter from the dust separate.
- ⑥ Wash the air filter and the motor safety filter.
Do not wash filters with hot water.
- ⑦ Dry fully in shade so that moisture is entirely removed. The air filter and the motor safety filter should be cleaned as above the figure.

警告

完全陰乾超過 24 小時。

WARNING

Dry fully for more than 24 hours in shade.

注意

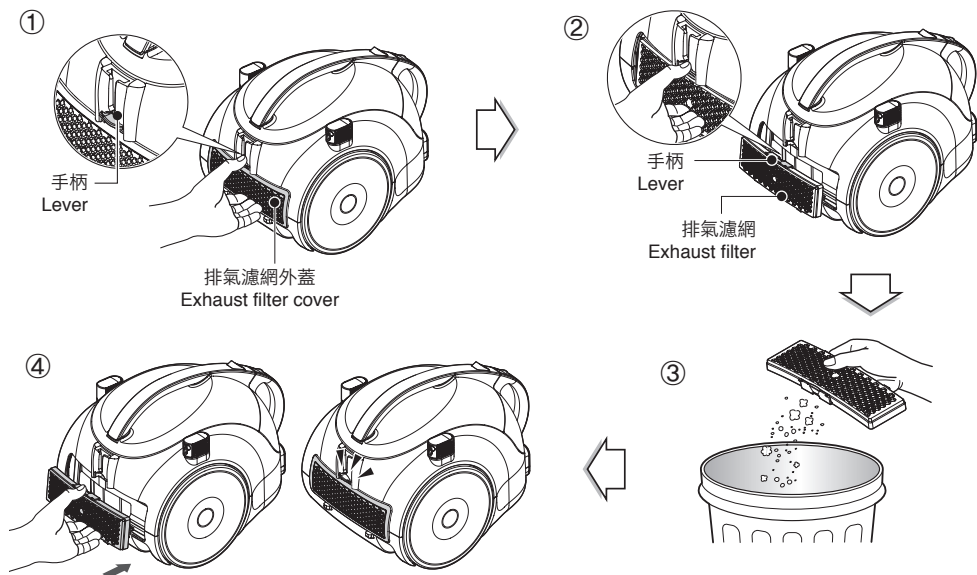
如果過濾網受損，請勿使用。
若有此情況，請聯絡 LG Electronics 服務代理商。至少每個月清洗濾器一次。

NOTICE

If filters are damaged, do not use them. In this cases, contact LG Electronics Servc Agent. Wash filters at least every 1 months.

使用方式 清潔排氣濾網

How to use Cleaning exhaust filter



- 排氣濾網可重複使用。
- ① 若要清潔排氣濾網，請將機身上的排氣濾網拉出以將其拆下。
- ② 分離排氣濾網。
- ③ 清除濾網上的灰塵。(請勿用水清洗濾器。)
- ④ 將排氣濾器的凸部插入機身上的凹槽然後推壓排氣濾器。

排氣濾器裝回

- 將排氣濾器的凸耳裝到真空吸塵器機身的凹槽。
 - 將其與機身接合。
- The exhaust filter is reusable.
 - ① To clean the exhaust filter, remove the exhaust filter cover on the body by pulling it out.
 - ② Separate the exhaust filter.
 - ③ Dust off filter. (Do not wash filter with water.)
 - ④ Insert the projection of exhaust filter into the grooves on the body and push the exhaust filter.

Exhaust filter cover assembling

- Fit exhaust filter cover lugs to the grooves of vacuum cleaner body.
- Join it the body.

注意

排氣濾網應至少一年清潔一次。

NOTICE

The exhaust filter should be cleaned at least a year.

若真空吸塵器無法運作要如何處理

What to do if your vacuum cleaner does not work

檢查充電線已經拔下並且請確定主開關已經打開。

Check the charging cord is disconnected and please make sure that the main switch is turned on.

當真空吸塵器無法運作時要如何處理

- 檢查電池是否已經充電。
- 檢查主電源開關是否已經打開。
- 分開機身與軟管，然後再將它們裝回。

當真空吸塵器無法運作時要如何處理

- 檢查吸嘴、軟管、伸縮管、灰塵分離器與集塵筒以查看是否有任何大型外來物品並使用筷子或鑷子將它們移除。
- 檢查馬達保護過濾器或排氣濾器是否髒汙。
- 檢查灰塵分離器是否正確裝到機身上。

What to do when the vacuum cleaner does not work

- Check if the battery has been charged.
- Check if the main power switch is on.
- Disassemble the body and hose, and the reassemble them.

What to do when the suction performance decreases

- Check nozzles, the hose, telescopic tube, dust separator, and dust bin to see if there are any large foreign objects and remove them using chopsticks or tweezers.
- Check if the motor-protecting filter or exhaust filter is dirty.
- Check if the dust separator is correctly attached to the body.



處置您的舊電器

1. 所有電氣和電子產品均應在政府或當地機構規定的指定收集廠從市政垃圾流中分開處理。
2. 正確處理您的舊電器有助防止對環境和人類健康造成潛在的負面影響。
3. 更多有關處理您的舊電器的資訊，請連絡您市政府辦公室、垃圾處理服務或您購買該產品的商店。



廢電池請回收



Disposal of your old appliance

1. All electrical and electronic products should be disposed of separately from the municipal waste stream via designated collection facilities appointed by the government or the local authorities.
2. The correct disposal of your old appliance will help prevent potential negative consequences for the environment and human health.
3. For more detailed information about disposal of your old appliance, please contact your city office, waste disposal service or the shop where you purchased the product.

關於在電氣與電子設備中使用某些危險物質的限制方面，本設備符合技術法規。

The equipment complies with requirements of the Technical Regulation, in terms of restrictions for the use of certain dangerous substances in electrical and electronic equipment.

注意
Note



注意
Note



注意
Note



