



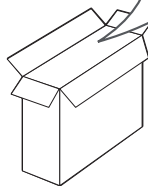
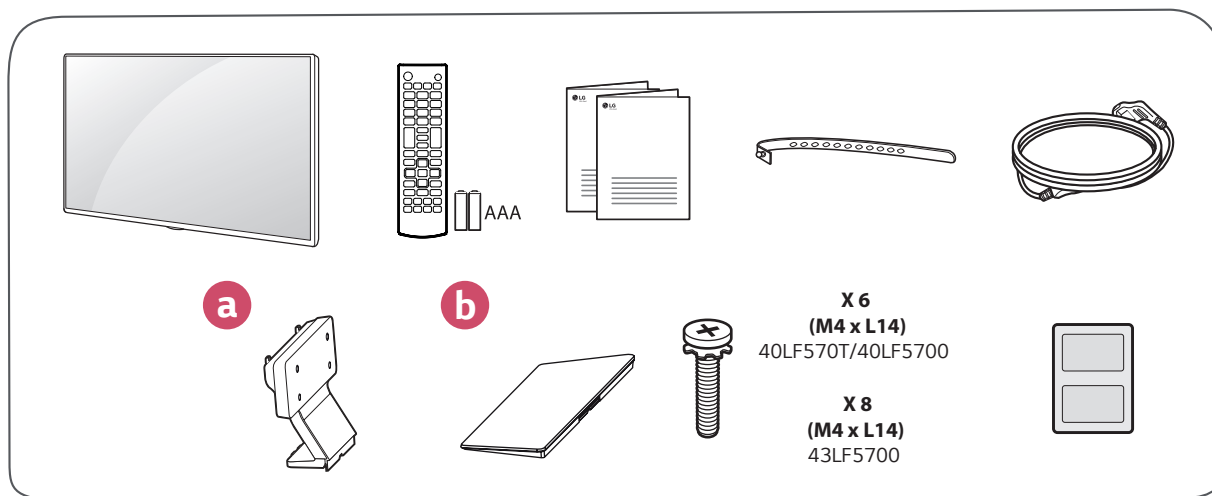
ENGLISH
Easy Setup Guide

Please read this manual carefully before operating your set and retain it for future reference.

ESPAÑOL
Guía Rápida de Configuración

Lea atentamente este manual antes de poner en marcha el equipo y consérvelo para futuras consultas.

LED TV
40LF570T
40LF5700
43LF5700

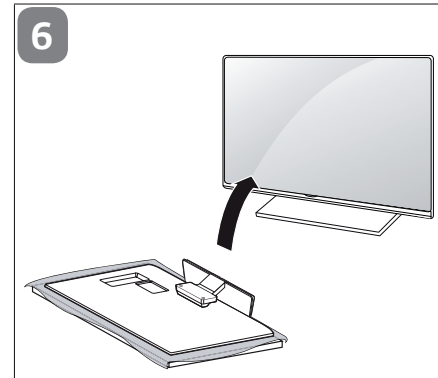
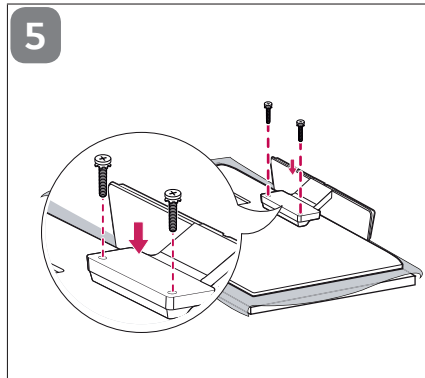
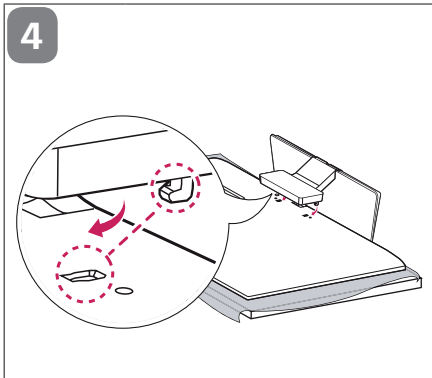
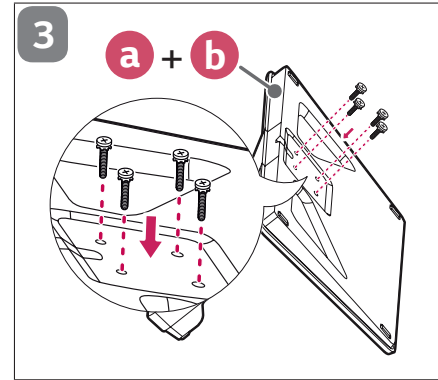
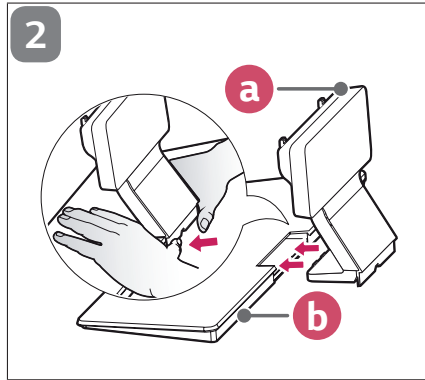
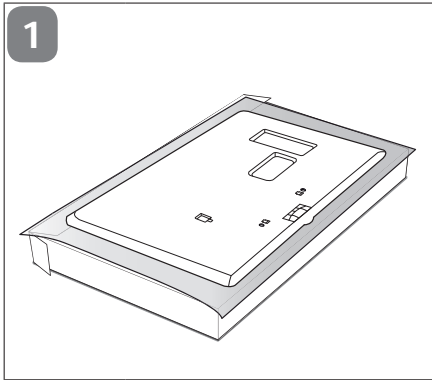


www.lg.com

P/NO : MFL68587817 (1503-REV00)

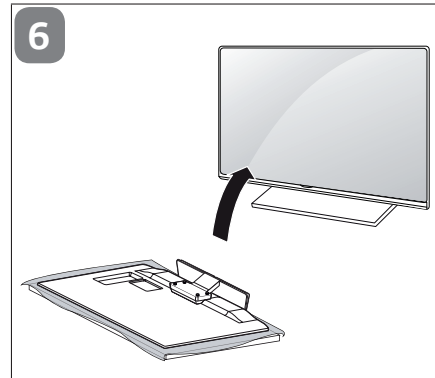
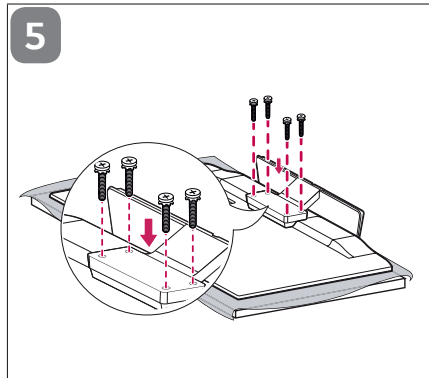
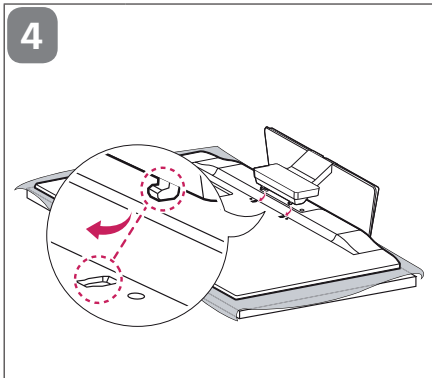
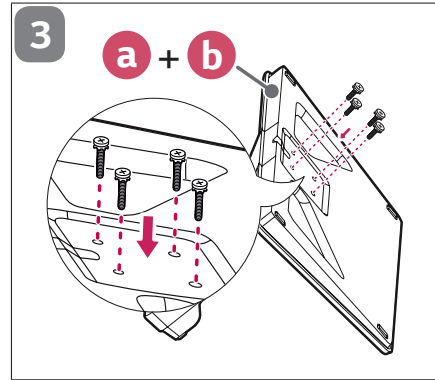
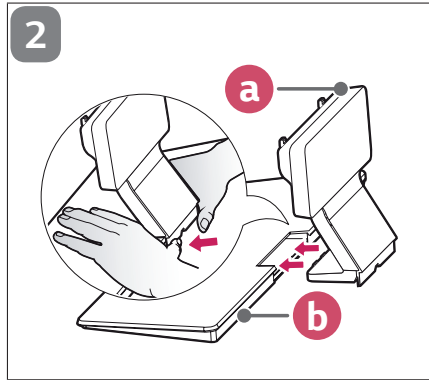
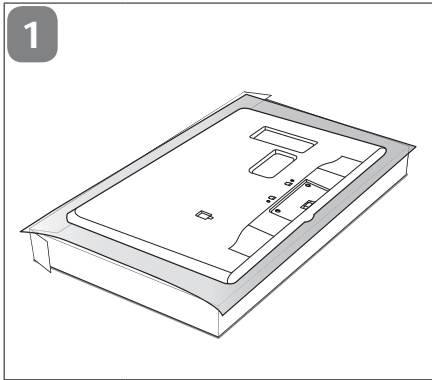
1

40LF570T, 40LF5700



1

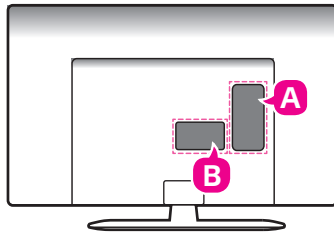
43LF5700



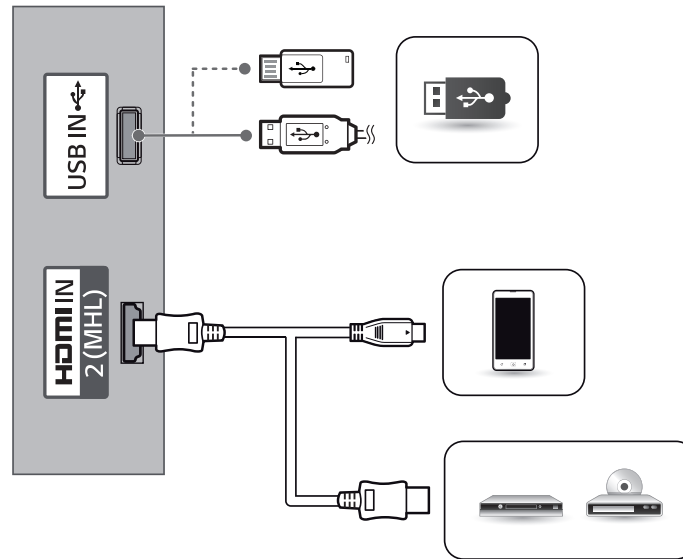
2

ENGLISH
ESPAÑOL

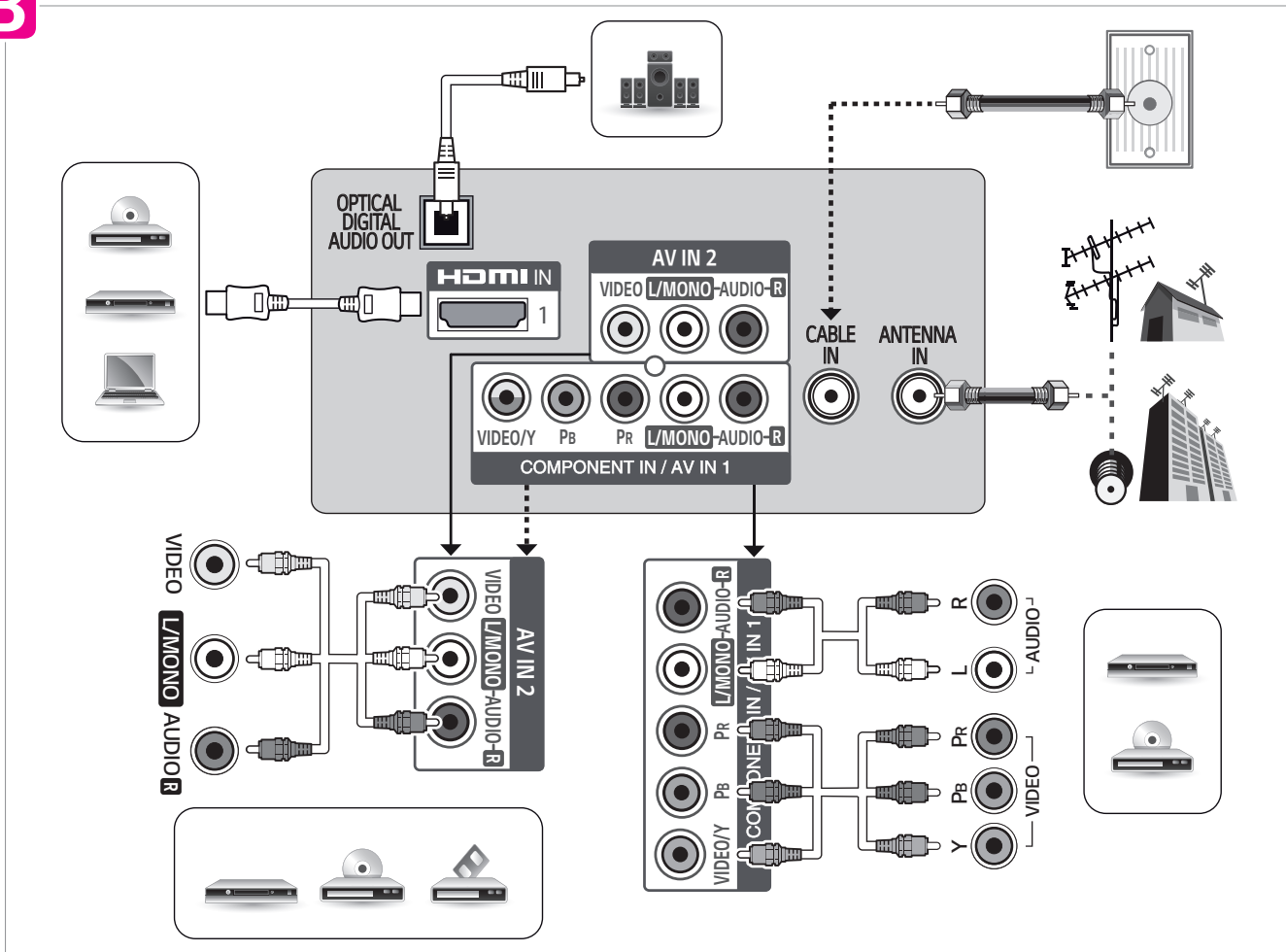
Image shown may differ from your TV.
La imagen puede ser diferente a la de su televisor.



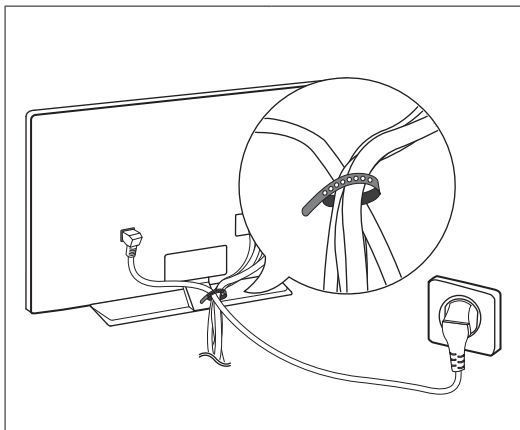
A



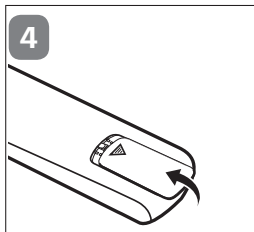
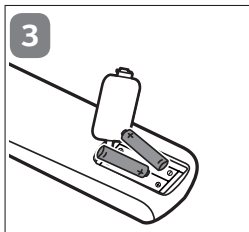
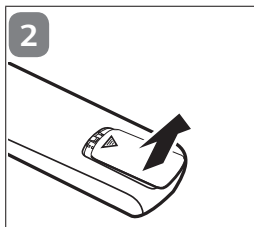
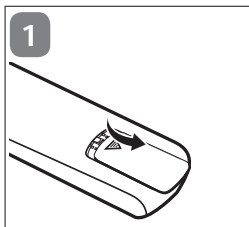
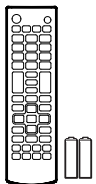
B



3



4



5



ENGLISH

MODELS		40LF570T (40LF570T-DA)	43LF5700 (43LF5700-DA)
		40LF5700 (40LF5700-DA)	43LF5700 (43LF5700-SA)
		40LF5700 (40LF5700-SA)	
Dimensions (W x H x D)	With stand (mm)	911 x 581 x 189	973 x 625 x 193
	Without stand (mm)	911 x 528 x 55.3	973 x 573 x 55.1
Weight	With stand (kg)	9.6	12.7
	Without stand (kg)	7.5	10.2
Power requirement		AC 100 - 240 V ~ 50 / 60 Hz	
Current value / Power consumption		0.9 A / 90 W	1.0 A / 100 W

ESPAÑOL

MODELOS		40LF570T (40LF570T-DA)	43LF5700 (43LF5700-DA)
		40LF5700 (40LF5700-DA)	43LF5700 (43LF5700-SA)
		40LF5700 (40LF5700-SA)	
Dimensiones (Ancho x altura x profundidad)	Con base (mm)	911 x 581 x 189	973 x 625 x 193
	Sin base (mm)	911 x 528 x 55,3	973 x 573 x 55,1
Peso	Con base (kg)	9,6	12,7
	Sin base (kg)	7,5	10,2
Potencia requerida		AC 100 - 240 V ~ 50 / 60 Hz	
Corriente de consumo / Consumo de la potencia		0,9 A / 90 W	1,0 A / 100 W

* M F L O S O 7 O 1 7 *





OWNER'S MANUAL

Safety and Reference

LED TV*

* LG LED TVs are LCD TVs with LED backlighting.

Please read this manual carefully before operating your TV and retain it for future reference.

43LF5400
49LF5400
43LF5410
49LF5410

32LF550B
49LF5500

32LF565B
50LF5650
55LF5650
60LF5650

40LF5700
43LF5700



* M F L 6 8 6 6 3 7 1 3 *

www.lg.com

P/NO : MFL68663713 (1502-REV02)

Important Safety Instructions

Always comply with the following precautions to avoid dangerous situations and ensure peak performance of your product.





WARNING/CAUTION

RISK OF ELECTRIC SHOCK
DO NOT OPEN



TO REDUCE THE RISK OF ELECTRIC SHOCK DO NOT REMOVE COVER (OR BACK). NO USER SERVICEABLE PARTS INSIDE. REFER TO QUALIFIED SERVICE PERSONNEL.

 The lightning flash with arrowhead symbol within an equilateral triangle is intended to alert the user to the presence of uninsulated dangerous voltage within the product's enclosure that may be of sufficient magnitude to constitute a risk of electric shock to persons.

 The exclamation point within an equilateral triangle is intended to alert the user to the presence of important operating and maintenance (servicing) instructions in the literature accompanying the appliance.

WARNING/CAUTION

- TO REDUCE THE RISK OF FIRE AND ELECTRIC SHOCK, DO NOT EXPOSE THIS PRODUCT TO RAIN OR MOISTURE.

WARNING

If you ignore the warning message, you may be seriously injured or there is a possibility of accident or death.

CAUTION

If you ignore the caution message, you may be slightly injured or the product may be damaged.

NOTE

The note helps you understand and use the product safely. Please read the note carefully before using the product.

Read these instructions.
Keep these instructions.
Heed all warnings.
Follow all instructions.



- Do not use this apparatus near water.



- Clean only with a dry cloth.



- Do not block any ventilation openings. Install in accordance with the manufacturer's instructions.



- Do not install near any heat sources such as radiators, heat registers, stoves, or other apparatus (including amplifiers) that produce heat.



- Do not defeat the safety purpose of the polarized or grounding-type plug. A polarized plug has two blades with one wider than the other. A grounding type plug has two blades and a third grounding prong. The wide blade or the third prong are provided for your safety. If the provided plug does not fit into your outlet, consult an electrician for replacement of the obsolete outlet (Can differ by country).



- Do not press strongly upon the panel with a hand or a sharp object such as a nail, pencil, or pen, or make a scratch on it.



- Protect the power cord from being walked on or pinched particularly at plugs, convenience receptacles, and the point where they exit from the apparatus.



- Only use attachments/accessories specified by the manufacturer.



- Use only with a cart, stand, tripod, bracket, or table specified by the manufacturer, or sold with the apparatus. When a cart is used, use caution when moving the cart/apparatus combination to avoid injury from tip-over.



- Unplug this apparatus during lightning storms or when unused for long periods of time.



- Refer all servicing to qualified service personnel. Servicing is required when the apparatus has been damaged in any way, such as power-supply cord or plug is damaged, liquid has been spilled or objects have fallen into the apparatus, the apparatus has been exposed to rain or moisture, does not operate normally, or has been dropped.



- Do not stick metal objects or any other conductive material into the power cord. Do not touch the end of the power cord while it is plugged in.
- Keep the packing anti-moisture material or vinyl packing out of the reach of children. Anti-moisture material is harmful if swallowed. If swallowed, induce vomiting and go to the nearest hospital. Additionally, vinyl packing can cause suffocation. Keep it out of the reach of children.

- **CAUTION** concerning the Power Cord (Can differ by country):
Check the specification page of this owner's manual to be certain. Do not connect too many appliances to the same AC power outlet as this could result in fire or electric shock. Do not overload wall outlets. Overloaded wall outlets, loose or damaged wall outlets, extension cords, frayed power cords, or damaged or cracked wire insulation are dangerous. Any of these conditions could result in electric shock or fire. Periodically examine the cord of your appliance, and if its appearance indicates damage or deterioration, unplug it, discontinue use of the appliance, and have the cord replaced with an exact replacement part by an authorized service. Protect the power cord from physical or mechanical abuse, such as being twisted, kinked, pinched, closed in a door, or walked upon. Pay particular attention to plugs, wall outlets, and the point where the cord exits the appliance. Do not move the TV with the power cord plugged in. Do not use a damaged or loose power cord. Be sure do grasp the plug when unplugging the power cord. Do not pull on the power cord to unplug the TV.



- **Warning** - To reduce the risk of fire or electrical shock, do not expose this product to rain, moisture or other liquids. Do not touch the TV with wet hands. Do not install this product near flammable objects such as gasoline or candles, or expose the TV to direct air conditioning.



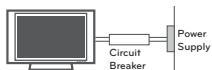
- Do not expose to dripping or splashing and do not place objects filled with liquids, such as vases, cups, etc. on or over the apparatus (e.g., on shelves above the unit).





- **Grounding**

(Except for devices which are not grounded.) Ensure that you connect the earth ground wire to prevent possible electric shock (i.e., a TV with a three-prong grounded AC plug must be connected to a three-prong grounded AC outlet). If grounding methods are not possible, have a qualified electrician install a separate circuit breaker. Do not try to ground the unit by connecting it to telephone wires, lightning rods, or gas pipes.

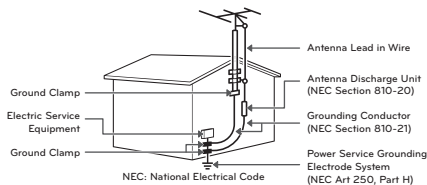


- As long as this unit is connected to the AC wall outlet, it is not disconnected from the AC power source even if the unit is turned off.
- Do not attempt to modify this product in any way without written authorization from LG Electronics. Unauthorized modification could void the user's authority to operate this product.

- **Outdoor Antenna Grounding**

(Can differ by country): If an outdoor antenna is installed, follow the precautions below. An outdoor antenna system should not be located in the vicinity of overhead power lines or other electric light or power circuits, or where it can come in contact with such power lines or circuits as death or serious injury can occur. Be sure the antenna system is grounded to provide some protection against voltage surges and built-up static charges. Section 810 of the National Electrical Code (NEC) in the U.S.A. provides information with respect to proper grounding of the mast and supporting structure, grounding of the lead-in wire to an antenna discharge unit, size of grounding conductors, location of antenna discharge unit, connection to grounding electrodes and requirements for the grounding electrode.

Antenna grounding according to the National Electrical Code, ANSI/NFPA 70



- **Cleaning**

When cleaning, unplug the power cord and wipe gently with a soft cloth to prevent scratching. Do not spray water or other liquids directly on the TV as electric shock may occur. Do not clean with chemicals such as alcohol, thinners, or benzene.

- **Moving**

Make sure the product is turned off, unplugged, and all cables have been removed. It may take 2 or more people to carry larger TVs. Do not press or put stress on the front panel of the TV.

- **Ventilation**

Install your TV where there is proper ventilation. Do not install in a confined space such as a bookcase. Do not cover the product with cloth or other materials while plugged. Do not install in excessively dusty places.

- If you smell smoke or other odors coming from the TV, unplug the power cord and contact an authorized service center.
- Keep the product away from direct sunlight.
- Never touch this apparatus or antenna during a lightning storm.
- When mounting a TV on the wall, make sure not to install the TV by hanging the power and signal cables on the back of the TV.
- Do not allow an impact shock, any objects to fall into the product, and do not drop anything onto the screen.

- **DISCONNECTING THE DEVICE FROM THE MAIN POWER**

The power plug is the disconnecting device. In case of an emergency, the power plug must remain readily accessible.

- **Batteries**

- Store the accessories (battery, etc.) in a safe location out of the reach of children.
- This apparatus uses batteries. In your community there might be regulations that require you to dispose of these batteries properly due to environmental considerations. Please contact your local authorities for disposal or recycling information.
- Do not dispose of batteries in a fire.
- Do not short circuit, disassemble, or allow the batteries to overheat.



- Do not use high voltage electrical equipment near the TV, (e.g., a bug zapper.) This may result in product malfunction.

- **Dot Defect**

The panel is a high technology product with resolution of two million to six million pixels. In a very few cases, you could see fine dots on the screen while you're viewing the TV. Those dots are deactivated pixels and do not affect the performance and reliability of the TV.

- **Generated Sound**

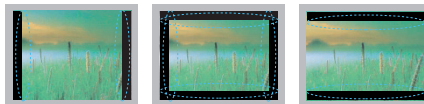
Cracking noise A cracking noise that occurs when watching or turning off the TV is generated by plastic thermal contraction due to temperature and humidity. This noise is common for products where thermal deformation is required.

Electrical circuit humming/panel buzzing

A low level noise is generated from a high-speed switching circuit, which supplies a large amount of current to operate a product. It varies depending upon the product. This generated sound does not affect the performance and reliability of the product.

- Take care not to touch the ventilation openings. When watching the TV for a long period, the ventilation openings may become hot. This does not affect the performance of the product or cause defects in the product.
- Do not install this product on a wall if it could be exposed to oil or oil mist. This may damage the product and cause it to fall.
- If the TV feels cold to the touch, there may be a small flicker when it is turned on. This is normal; there is nothing wrong with TV. Some minute dot defects may be visible on the screen, appearing as tiny red, green, or blue spots. However, they have no adverse effect on the TV's performance. Avoid touching the LCD screen or holding your finger(s) against it for long periods of time. Doing so may produce some temporary distortion effects on the screen.

Preventing Image Burn or Burn-in on Your TV Screen



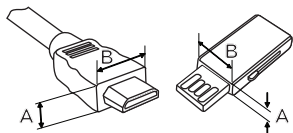
- If a fixed image displays on the TV screen for a long period of time, it will be imprinted and become a permanent disfigurement on the screen. This is image burn or burn-in and not covered by the warranty.
- If the aspect ratio of the TV is set to 4:3 for a long period of time, image burn may occur on the letterboxed area of the screen.
- Avoid displaying a fixed image on the TV screen for a long period of time (2 or more hours for LCD, 1 or more hours for the plasma TV) to prevent image burn.

Preparing

! NOTE

- Image shown may differ from your TV.
- Your TV's OSD (On Screen Display) may differ slightly from that shown in this manual.
- The available menus and options may differ from the input source or product model that you are using.
- New features may be added to this TV in the future.
- The items supplied with your product may vary depending upon the model.
- Product specifications or contents of this manual may be changed without prior notice due to upgrade of product functions.
- For an optimal connection, HDMI cables and USB devices should have bezels less than 10 mm thick and 18 mm width.
- Use an extension cable that supports USB 2.0 if the USB cable or USB flash drive does not fit into your TV's USB port.
- Use a certified cable with the HDMI logo attached. If you do not use a certified HDMI cable, the screen may not display or a connection error may occur.

- Recommended HDMI cable types
 - High-Speed HDMI®/™ cable
 - High-Speed HDMI®/™ cable with Ethernet



*A ≤ 10 mm
*B ≤ 18 mm

⚠ CAUTION

- Do not use any unapproved items to ensure the safety and lifespan of the product.
- Any damages or injuries by using unapproved items are not covered by the warranty.
- Some models appear to have a thin film on the screen. It is actually part of the screen; do not remove it.
- When attaching the stand to the TV set, place the screen facing down on a cushioned table or flat surface to protect the screen from scratches.
- Make sure that the screws are fastened tightly. (If they are not fastened securely enough, the TV may tilt forward after being installed.)
- Do not fasten the screws with excessive force; otherwise, they may be worn out and become loose.

Maintenance

Cleaning your TV

Clean your TV regularly to keep it at peak performance and to extend the product's lifespan.

⚠ CAUTION

- Before cleaning, turn the power off and disconnect the power cord and all other cables.
- When the TV is left unattended or unused for a long time, disconnect the power cord from the wall outlet to prevent possible damage from lightning or power surges.

Screen, frame, cabinet, and stand

To remove dust or light dirt, wipe the surface with a dry, clean, and soft cloth.

To remove major dirt, wipe the surface with a soft cloth dampened in clean water or a diluted mild detergent. Then wipe immediately with a dry cloth.

⚠ CAUTION

- Do not push, rub, or hit the surface with your fingernail or a sharp object, as this may result in scratches on the screen and image distortions.
- Do not use any chemicals, such as waxes, benzene, alcohol, thinners, insecticides, air fresheners, or lubricants, as these may damage the screen's finish and cause discoloration.
- Do not spray liquid onto the surface. If water enters the TV, it may result in fire, electric shock, or malfunction.

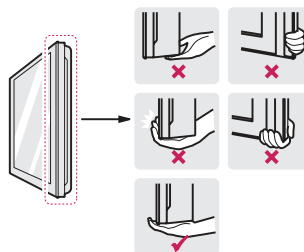
Power cord

Remove the accumulated dust or dirt on the power cord regularly.

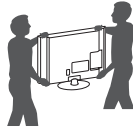
Lifting and Moving the TV

When moving or lifting the TV, read the following to prevent the TV from being scratched or damaged and for safe transportation regardless of its type and size.

- It is recommended to move the TV in the box or packing material that the TV originally came in.
- Before moving or lifting the TV, disconnect the power cord and all cables.
- When holding the TV, the screen should face away from you to avoid damage.
- Hold the top and bottom of the TV frame firmly. Make sure not to hold the transparent part, speaker, or speaker grille area.



- Use at least two people to move a large TV.
- When transporting the TV by hand, hold the TV as shown in the following illustration.



- When transporting the TV, do not expose the TV to jolts or excessive vibration.
- When transporting the TV upright; never turn the TV on its side or tilt towards the left or right.

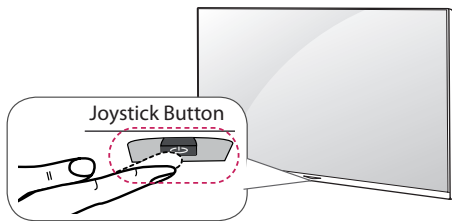
⚠ CAUTION

- Avoid touching the screen at all times, as this may result in damage to the screen.
- Do not place the product on the floor with its front facing down without padding. Failure to do so may result in damage to the screen.
- Do not move the TV by holding the cable holders, as the cable holders may break, and injuries and damage to the TV may occur. (Depending upon model)





Using the Joystick Button

(Depending upon model)

You can operate the TV by pressing the button or moving the joystick left, right, up, or down.



Basic Functions





 Power On	When the TV is turned off, place your finger on the joystick button, press it once, and release it.
 Power Off	When the TV is turned on, place your finger on the joystick button, press it once for a few seconds, and release it. (However, if the menu button is on the screen, pressing and holding the joystick button will let you exit the menu.)
 Volume Control	If you place your finger over the joystick button and move it left or right, you can adjust the volume level.
 Channels Control	If you place your finger over the joystick button and move it up or down, you can scroll through the saved channels.

! NOTE

- With your finger over the joystick button and move it up, down, left, or right; be careful not to press the joystick button first, you may not be able to adjust the volume level and/or scroll through saved channels.

Adjusting the Menu

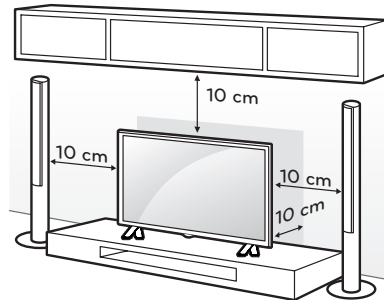
When the TV is turned on, press the joystick button one time. You can adjust the menu items moving the joystick button up, down, left, or right.

	Turns the power off.
	Accesses the main menu.
	Clears on-screen displays and returns to TV viewing
	Changes the input source.

Mounting on a Table

(Depending upon model)

- 1 Lift and tilt the TV into its upright position on a table.
 - Leave a 10 cm (minimum) space from the wall for proper ventilation.



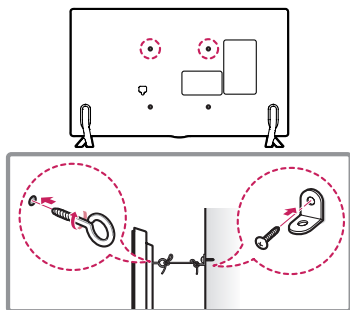
- 2 Connect the power cord to a wall outlet.

⚠ CAUTION

- Do not place the TV near or on sources of heat, as this may result in fire or other damage.

Securing the TV to a Wall (optional)

(Depending upon model)



- 1 Insert and tighten the eye-bolts or TV brackets and bolts on the back of the TV.
- If there are bolts inserted at the eye-bolts position, remove the bolts first.
- 2 Mount the wall brackets with the bolts to the wall. Match the location of the wall bracket and the eye-bolts on the rear of the TV.
- 3 Connect the eye-bolts and wall brackets tightly with a sturdy rope or cable. Make sure to keep the rope parallel to the flat surface.

⚠ CAUTION

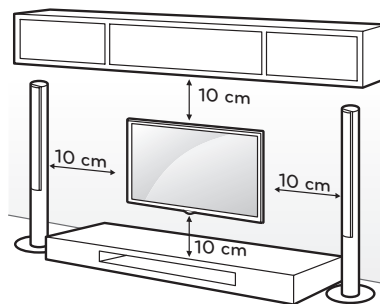
- Make sure that children do not climb on or hang on the TV.

! NOTE

- Use a platform or cabinet that is strong and large enough to support the TV securely.
- Brackets, bolts, and ropes are optional. You can obtain additional accessories from your local dealer.

Mounting on a Wall

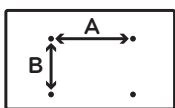
An optional wall mount can be used with your LG Television. Consult with your local dealer for a wall mount that supports the VESA standard used by your TV model. Carefully attach the wall mount bracket at the rear of the TV. Install the wall mount bracket on a solid wall perpendicular to the floor. If you are attaching the TV to other building materials, please contact qualified personnel to install the wall mount. Detailed instructions will be included with the wall mount. We recommend that you use an LG brand wall mount. When you do not use LG's wall mount bracket, use a wall mount bracket where the device is adequately secured to the wall with enough space to allow connectivity to external devices.



Make sure to use screws and wall mounts that meet the VESA standard. Standard dimensions for the wall mount kits are described in the following table.

Model	43LF5400 43LF5410 32LF550B 32LF565B 40LF5700 43LF5700	49LF5400 49LF5410
VESA (A x B)	200 x 200	300 x 300
Standard screw	M6	M6
Number of screws	4	4
Wall mount bracket (optional)	LSW240B MSW240	LSW350B MSW240

Model	49LF5500 50LF5650 55LF5650	60LF5650
VESA (A x B)	400 x 400	400 x 400
Standard screw	M6	M6
Number of screws	4	4
Wall mount bracket (optional)	LSW440B MSW240	LSW440B



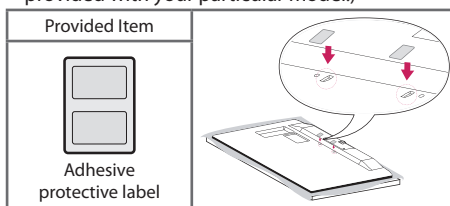
⚠ CAUTION

- Disconnect the power before moving or installing the TV. Otherwise electric shock may occur.
- Remove the stand before installing the TV on a wall mount by performing the stand attachment in reverse.
- If you install the TV on a ceiling or slanted wall, it may fall and result in severe injury. Use an authorized LG wall mount and contact the local dealer or qualified personnel. When using a third-party wall mount, it is not covered by the warranty.
- Do not over tighten the screws as this may cause damage to the TV and void your warranty.
- Use the screws and wall mounts that meet the VESA standard. Any damages or injuries by misuse or using an improper accessory are not covered by the warranty.

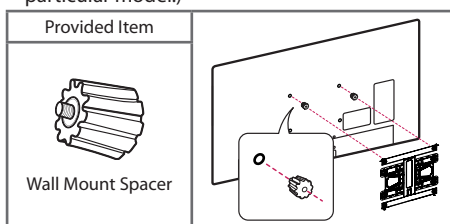
! NOTE

- Use the screws that are listed in the VESA standard screw specifications.
- The wall mount kit includes an installation manual and necessary parts.
- The wall mount bracket is optional. You can obtain additional accessories from your local dealer.
- The length of screws may differ depending upon the wall mount. Make sure to use the proper length.
- For more information, refer to the manual supplied with the wall mount.

- When using the wall mounting bracket, apply the adhesive protective label to cover the unused stand openings. This will prevent the accumulation of dust and dirt. (Use only when provided with your particular model.)



- When attaching a wall mounting bracket to the TV, insert the wall mount inner spacers into the TV wall mount holes to adjust the vertical angle of the TV. (Use only when provided with your particular model.)



Connections (Notifications)

You can connect various external devices to the TV. Supported external devices are: HD receivers, DVD players, VCRs, audio systems, USB storage devices, PC, gaming devices, and other external devices. For more information on external device's connection, refer to the manual provided with each device.

! NOTE

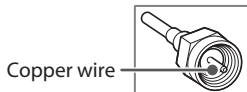
- If you record a TV program on a DVD recorder or VCR, make sure to connect the TV signal input cable to the TV through a DVD recorder or VCR. For more information about recording, refer to the manual provided with the connected device.
- The external device connections shown may differ slightly from illustrations in this manual.
- Connect external devices to the TV regardless about the order of the TV port.
- If you connect a gaming device to the TV, use the cable supplied with the gaming device.
- Refer to the external equipment's manual for operating instructions.

Connecting to an Antenna or Cable

Connect an antenna, cable, or cable box to watch TV while referring to the following. The illustrations may differ from the actual items and an RF cable is optional.

CAUTION

- Make sure not to bend the copper wire of the RF cable.



- Complete all connections between devices, and then connect the power cord to the power outlet to prevent damage to your TV.

NOTE

- To improve the picture quality in a poor signal area, purchase a signal amplifier.
- Use a signal splitter to use 2 TVs or more.
- If the antenna is not installed properly, contact your dealer for assistance.
- DTV Audio Supported Codec: MPEG, AAC, HE-AAC

Other Connections

Connect your TV to external devices. For the best picture and audio quality, connect the external device and the TV with the HDMI cable. Depending upon the model, a cable may not be provided.

Remote Control

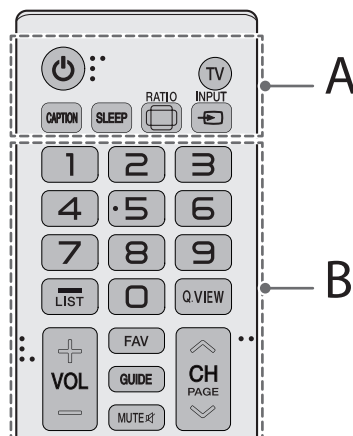
(Image shown may differ from your TV.)

The descriptions in this manual are based on the buttons on the remote control. Please read this manual carefully and use the TV correctly. To install batteries, open the battery cover, replace batteries (1.5 V AAA) matching the ⊕ and ⊖ ends to the label inside the compartment, and close the battery cover. Failure to match the correct polarities of the battery may cause the battery to burst or leak, resulting in fire, personal injury, or ambient pollution. To remove the batteries, perform the installation actions in reverse.

This remote uses infrared light. When in use, it should be pointed in the direction of the TV's remote sensor.

CAUTION

- Do not mix old and new batteries, as this may damage the remote control.



A

⏻ (POWER) Turns the TV on or off.

TV Returns to the last TV channel.

CAPTION Activates or deactivates the subtitles.

SLEEP Sets the length of time until the TV to turns off.

📐 RATIO Resizes an image.

📺 INPUT Changes the input source.
Turns the TV on if it is off.

B

Number button Enters numbers.

- **(Dash)** Inserts a dash between numbers such as 2-1 and 2-2.

LIST Accesses the saved channel list.

Q.VIEW Alternates between the two last channels selected (pressing repeatedly).

+ VOL - Adjusts the volume level.

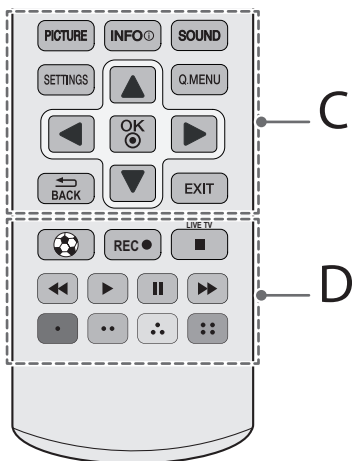
FAV Accesses your favorite channel list.

GUIDE Displays the program event according to time scheduler.

MUTE Mutes all sounds.

⏪ CH ⏩ Scrolls through the saved channels.

⏪ PAGE ⏩ Moves to the previous or next screen.



C

PICTURE Changes the picture mode.

INFO ⓘ Shows information on the current program.

SOUND Changes the sound mode.

SETTINGS Accesses the main menu.

Q.MENU Accesses the quick menu.

Navigation buttons

(up/down/left/right) Scrolls through menus or options.

OK ⓘ Selects menus or options and confirms your input.

←BACK Returns to the previous screen.

EXIT Clears all on-screen displays and returns to TV viewing.

D

⚽ Optimizes picture and audio settings for soccer.

REC ● Starts to record.
(only Time Machine ^{Ready} supported model)

LIVE TV Returns to the LIVE TV.

Control buttons (■▶, ||, ◀◀▶▶)

Controls the MY MEDIA menus, Time Machine ^{Ready} or the SIMPLINK compatible devices (USB, SIMPLINK or Time Machine ^{Ready}).

Color buttons (■ Red, ■ Green, ■ Yellow, ■ Blue)
These access special functions in some menus.

Settings

To set up the channels automatically

SETTINGS ⇒ **CHANNEL** → **Auto Tuning**

Memorizes automatically the channels being broadcast.

- The channels will not be memorized properly if the antenna/cable is not installed correctly.
- **Auto Tuning** memorizes the channels that are currently being broadcast.
- If **Lock System** is turned on, a pop-up window will appear asking for password.

About Interactivity (DTV-i)

(Depending upon country)

This TV has the interactivity feature of Digital TV (DTV-i) that allows using applications, also known as Ginga*.

- By selecting a digital channel that has interactivity, it will be possible to visualize and interact with applications transmitted by broadcasters. The contents can vary and some examples are: weather forecast, real time news, traffic situation, soap operas, program descriptions, interactive games, access to bank accounts, government services, soccer information and other sports.
- The interactivity return channel is available only on those TV models that have an Ethernet port and that are set correctly.

To select Picture Mode

SETTINGS ⇒ **PICTURE** → **Picture Mode**

Select the picture mode optimized for the viewing environment or the program.

- **Vivid** Heightens contrast, brightness and sharpness to display vivid images.
- **Standard** Displays images in standard levels of contrast, brightness and sharpness.
- **Eco** The Energy Saver feature changes settings on the TV to reduce power consumption.
- **Cinema / Game** Displays the optimum picture for a movie or a game.
- **Soccer** Optimised picture mode for football matches. The pitch and kits are presented in vibrant colours, with crystal-clear images even for fast movements.



- **Expert** Menu for adjusting picture quality that allows experts and amateurs to enjoy the best TV viewing. This menu for adjustment is provided for ISF-certified picture tuning professionals. (ISF logo can only be used on ISF-certified TVs.) ISFccc: Imaging Science Foundation Certified Calibration Control
- Depending upon input signal, the available range of picture modes may differ.
- **Expert** mode is for picture tuning professionals to control and fine-tune using a specific image. For normal images, the effects may not be drastic.

To set advanced control

SETTINGS ⇒ PICTURE → Picture Mode → Advanced Control / Expert Control

For each picture mode, the screen can be calibrated; or for a special screen, picture settings can be adjusted. Select the desired **Picture Mode**.

- **Dynamic Contrast** Adjusts the contrast to the optimal level according to the image's brightness.
- **Dynamic Color** Adjusts colors to make the image appear in more natural colors.
- **Color Gamut** Selects the range of colors that can be expressed.
- **Skin Color** Skin color spectrum can be separately set to implement the skin color as defined by the user.
- **Sky Color** Sky color is set separately.
- **Grass Color** Natural color spectrum (meadows, hills, etc.) can be separately set.
- **Gamma** Sets the gradation curve according to the output of picture signal in relation to the input signal.
- **Edge Enhancer** Shows clearer and distinctive yet natural edges of the video.
- **Expert Pattern** Patterns used for expert adjustment.
- **Color Filter** Filters a specific color spectrum in RGB colors to fine-tune color saturation and hue accurately.
- **Color Temperature** Adjusts the overall tone of the screen as desired. In Expert mode, detailed fine-tuning can be set via Gamma method, etc.

- **Color Management System** This system is used by experts to adjust color with a test pattern. They can select from six color areas (Red/ Green/ Blue/ Cyan/ Magenta/ Yellow) without affecting other colors. For normal images, adjustments may not result in noticeable color changes.
- Depending upon input signal or other picture settings, the range of detailed items for adjustment may differ.

To set additional picture options

SETTINGS ⇒ PICTURE → Picture Mode → Picture Option

Adjusts detailed setting for images.

- **Noise Reduction** Eliminates noise in the picture.
- **MPEG Noise Reduction** Eliminates noise generated while creating digital picture signals.
- **Black Level** Adjusts the brightness and contrast of the screen to suit the black level of the input picture by using the blackness (black level) of the screen.
- **Real Cinema** Optimizes the screen for movie viewing.
- **Motion Eye Care** [Depending upon model] Saves power consumption by adjusting the brightness corresponding to the movement of the image on the screen.
- Depending upon input signal or other picture settings, the range of detailed items for adjustment may differ.

To use Energy Saving feature

SETTINGS ⇒ PICTURE → Energy Saving

Saves electric power by adjusting screen brightness.

- **Off** Turns off the Energy Saving.
- **Minimum / Medium / Maximum** Applies the pre-set Energy Saving.
- **Screen Off** Screen is turned off and only sound is played. Press any button except Power button on the remote control to turn the screen back on.



To use TV speaker (Except for LF5400 / LF5410 Series)

SETTINGS ⇒ **AUDIO** → **Sound Out** → **TV Speaker**

Sound is output through the TV speaker.

To use External Speaker (Except for LF5400 / LF5410 Series)

SETTINGS ⇒ **AUDIO** → **Sound Out** → **External Speaker (Optical)**

[Available only on models with an optical port]

Sound is output through the speaker connected to the optical port.

- SIMPLINK is supported.

To use Digital Sound Out (Except for LF5400 / LF5410 Series)

SETTINGS ⇒ **AUDIO** → **Sound Out** → **External Speaker (Optical)** → **Digital Sound Out**


Sets up Digital Sound Out.

Item	Audio Input	Digital Audio Output
Auto	MPEG Dolby Digital Dolby Digital Plus HE-AAC	PCM Dolby Digital Dolby Digital Dolby Digital
PCM	All	PCM

To connect and use LG audio device (Except for LF5400 / LF5410 Series)

SETTINGS ⇒ **AUDIO** → **Sound Out** → **LG Sound Sync (Optical)**

[Only available for models with an optical port]

Connect LG audio device with the  logo to the optical digital audio output port. LG audio device allows you to enjoy rich powerful sound easily.

To set AV Sync. Adjust

SETTINGS ⇒ **AUDIO** → **AV Sync. Adjust**

Synchronizes unmatched video and audio. Select **AV Sync. Adjust** to **On** to synchronize audio output (TV speaker or SPDIF) with the video.

To use SIMPLINK

SIMPLINK controls and manages multimedia devices conveniently with the TV remote control through the SIMPLINK menu.

- 1 Connect the **HDMI IN** terminal and SIMPLINK device's HDMI output terminal using an HDMI cable.
- [Depending upon model] For home theater units with SIMPLINK function, connect HDMI terminals as above, and use an optical cable to connect Optical Digital Audio Out from the TV to Optical Digital Audio In of the SIMPLINK device.
- 2 Select **INPUT** ⇒ **SIMPLINK**. SIMPLINK menu window appears.
- 3 In SIMPLINK Setting window, set SIMPLINK function to **ON**.
- 4 In SIMPLINK menu window, select the device to control.

- This function is only compatible with devices having the SIMPLINK logo.
- To use SIMPLINK function, use a high-speed HDMI* cable (with CEC (Consumer Electronics Control) feature added). High-speed HDMI* cable has No. 13 pin connected for information exchange between devices.
- When changing to another input, the SIMPLINK device stops.
- If a third-party device with HDMI-CEC support is added, the SIMPLINK device may not work normally.
- [Depending upon model] When selecting or playing the media of the device with home theater function, **HT Speaker** is automatically connected. Be sure to connect with Optical cable (sold separately) to use **HT Speaker** function.



SIMPLINK function description

- **Direct Play** Plays the multimedia device on the TV instantly.
- **Select multimedia device** Selects the desired device through SIMPLINK menu and control the device from the TV screen instantly.
- **Disc playback** Manages the multimedia device with the TV remote control.
- **Power off all devices** When you power off the TV, all connected devices are turned off.
- **Sync Power on** When the equipment with SIMPLINK function connected HDMI terminal starts to play, the TV will automatically turn on.
- **Speaker** [Depending upon model] Selects either home theater unit or TV speaker.

To set the password

SETTINGS ⇒ LOCK → Set Password

Set or change the TV password.

- The initial password is set to **0000**.

To set the caption

SETTINGS ⇒ OPTION → Caption

View captions when the TV station provides captioned programming. Program captions work only on digital/analog broadcasts or external input.

Change **Caption** to **On** and select caption settings.

- **Mode**
CC 1-2 (Closed Captioning) /
Text 1-2 Displays the audio portion of a TV program as text on the TV screen. CC1 is the most common mode in use.
Digital This is only available for the digital broadcasting system.

To return to initial settings

SETTINGS ⇒ OPTION → Initial Setting

Returns to initial default mode by deleting all optional setup. Once initialization is completed, the TV will turn off and on by itself.

- When **Lock System** is in place, a pop-up window appears and asks for password.
- Do not turn off the power during initialization.

To remove the USB device

Q.MENU ⇒ USB Device

Once the message that the USB device was removed is displayed, remove the device from the TV.

- After selecting to remove USB device, the USB storage device cannot be read. Remove the USB storage device and then reconnect it.

Warning when using USB storage devices

- USB storage devices with a built-in auto recognition program or its own driver may not work.
- Some USB storage devices may not work or may work improperly.
- Use only those USB storage devices formatted with FAT32 or NTFS File System provided by Windows.
- For external USB HDD, use devices with less than 5V-rated voltages and 500 mA-rated current.
- It is recommended to use USB flash drive with 32 GB or less and USB HDD with 2 TB or less.
- If a USB HDD with power-saving function does not work properly, turn the power off and on. For more information, refer to the user manual of USB HDD.
- Data in the USB storage device can be damaged so back up important files in other devices. Data maintenance is the user's responsibility. The manufacturer is not responsible for data loss.

My Media Supported Files

- Maximum data transfer rate: 20 Mbps (Mega bit per second)
- External supported subtitle formats:
*.srt (SubRip), *.smi (SAMI), *.sub (SubViewer, MicroDVD, DVDsubtitleSystem, Subldx(Vobsub)), *.ass/*.ssa (SubStation Alpha), *.txt (TMplayer), *.psb (PowerDivX)
- Internal supported subtitle formats:
.dat/.mpg/*.mpeg/*.vob (DVD Subtitle), *.ts/*.tp/*.m2ts (DVB Subtitle), *.mp4 (DVD Subtitle, UTF-8 Plain Text), *.mkv (ASS, SSA, UTF-8 Plain Text, Universal Subtitle Format, VobSub, DVD Subtitle), *.divx/*.avi(XSUB¹, XSUB+)
XSUB¹ Supports internal subtitles generated from DivX6



Supported Photo Formats

- Category: 2D (jpeg, jpg, jpe)
[Available file type]
SOF0: Baseline,
SOF1: Extend Sequential,
SOF2: Progressive
[Photo size] Minimum: 64 x 64,
Maximum: Normal Type: 15,360 (W) x 8,640 (H),
Progressive Type: 1,920 (W) x 1,440 (H)
- Category: BMP
[Photo size] Minimum: 64 x 64, Maximum: 9,600 x 6,400
- Category: PNG
[Available file type] Interlace, Non-Interlace
[Photo size] Minimum: 64 x 64, Maximum:
Interlace: 1,200 x 800, Non-Interlace: 9,600 x 6,400
- BMP and PNG format files may be slower to display than JPEG.

Supported Audio Formats

- File type: mp3
[Bit rate] 32 Kbps - 320 Kbps
[Sample freq.] 16 kHz ~ 48 kHz
[Support] MPEG-1, MPEG-2, Layer2, Layer3
- File Type: AAC
[Bit rate] Free Format
[Sample freq.] 8 kHz ~ 48 kHz
[Support] ADIF, ADTS
- File Type: M4A
[Bit rate] Free Format
[Sample freq.] 8 kHz ~ 48 kHz
[Support] MPEG-4
- File Type: WMA
[Bit rate] 128 Kbps ~ 320 Kbps
[Sample freq.] 8 kHz ~ 48 kHz
[Support] WMA7, WMA8, WMA9 Standard
- File Type: WMA 10 Pro
[Bit rate] ~ 768 Kbps
[Channel / Sample freq.]
M0: up to 2 Channel @ 48 kHz (Except LBR mode),
M1: up to 5.1 Channel @ 48 kHz,
M2: up to 5.1 Channel @ 96 kHz
[Support] WMA 10 Pro
- File Type: OGG
[Bit rate] Free Format
[Sample freq.] ~ 48 kHz
[Support] OGG Vorbis

Supported Video Formats

- Maximum: 1,920 x 1,080 @ 30p (only Motion JPEG 640 x 480 @ 30p)
- .asf, .wmv
[Video] MPEG-2, MPEG-4 Part2, DivX3.11, DivX4, DivX5, DivX6, XViD, H.264/AVC, VC1 (WMV3, WVC1), MP43
[Audio] WMA Standard, WMA9(Pro), MP3, AAC, AC3, MP3, 3D WMV Single Stream
- .divx, .avi
[Video] MPEG-2, MPEG-4 Part2, DivX3.11, DivX4, DivX5, DivX6, XViD, H.264/AVC
[Audio] HE-AAC, LPCM, ADPCM, MPEG-1 Layer I, MPEG-1 Layer II, Dolby Digital, MPEG-1 Layer III (MP3)
- .ts, .trp, .tp, .mts, .m2ts
[Video] H.264/AVC, MPEG-2, AVS, VC1
[Audio] MPEG-1 Layer I, MPEG-1 Layer II, MPEG-1 Layer III (MP3), Dolby Digital, Dolby Digital Plus, AAC, HE-AAC
- .vob
[Video] MPEG-1, MPEG-2
[Audio] Dolby Digital, MPEG-1 Layer I, MPEG-1 Layer II, DVD-LPCM
- .mp4, .m4v, .mov
[Video] MPEG-2, MPEG-4 Part2, DivX3.11, DivX4, DivX5, DivX6, XViD, H.264/AVC
[Audio] AAC, MPEG-1 Layer III (MP3)
- .mkv
[Video] MPEG-2, MPEG-4 Part2, DivX3.11, DivX4, DivX5, DivX6, XViD, H.264/AVC
[Audio] HE-AAC, Dolby Digital, MPEG-1 Layer III (MP3), LPCM
- motion JPEG
[Video] MJPEG
[Audio] LPCM, ADPCM
- .mpg, .mpeg, .mpe
[Video] MPEG-1, MPEG-2
[Audio] MPEG-1 Layer I, MPEG-1 Layer II, Dolby Digital, LPCM
- .dat
[Video] MPEG-1, MPEG-2
[Audio] MP2
- .flv
[Video] Sorenson H.263, H.264/AVC
[Audio] MP3, AAC, HE-AAC
- .3gp, .3gp2
[Video] H.264/AVC, MPEG-4 Part2
[Audio] AAC, AMR(NB/WB)(H)

To See the Web Manual

Web manual allows you to easily access detailed TV information.

Go to <http://www.lg.com>.

Specifications

Product specifications may be changed without prior notice due to upgrade of product functions.

Television System

NTSC, PAL-M/N, SBTVD

Program Coverage

VHF 2-13, UHF 14-69, CATV 1-135

External Antenna Impedance

75 Ω

Environment condition

- **Operating Temperature**
0 °C to 40 °C
- **Operating Humidity**
Less than 80 %
- **Storage Temperature**
-20 °C to 60 °C
- **Storage Humidity**
Less than 85 %

HDMI (PC) supported mode

(Use HDMI IN 1 for PC mode)

Resolution	Horizontal Frequency (kHz)	Vertical Frequency (Hz)
640 x 350	31.46	70.09
720 x 400	31.46	70.08
640 x 480	31.46	59.94
800 x 600	37.87	60.31
1024 x 768	48.36	60.00
1152 x 864	54.34	60.05
1360 x 768	47.71	60.01
1280 x 1024	63.98	60.02
1920 x 1080	67.50	60.00

Except for 32LF550B, 32LF565B

HDMI (DTV) supported mode

Resolution	Horizontal Frequency (kHz)	Vertical Frequency (Hz)
640 x 480p	31.46	59.94
	31.50	60.00
720 x 480p	31.47	59.94
	31.50	60.00
1280 x 720p	37.50	50.00
	44.96	59.94
	45.00	60.00
1920 x 1080i	28.12	50.00
	33.72	59.94
	33.75	60.00
	26.97	23.97
	27.00	24.00
1920 x 1080p	33.71	29.97
	33.75	30.00
	56.25	50.00
	67.43	59.94
	67.50	60.00
	67.50	60.00

Component port connecting information

Component ports on the TV	Y	P _B	P _R
Video output ports on DVD player	Y	P _R	P _R
	Y	B-Y	R-Y
	Y	Cb	Cr
	Y	Pb	Pr

Component supported mode

Resolution	Horizontal Frequency (kHz)	Vertical Frequency (Hz)
720 x 480i	15.73	59.94
	15.73	60
720 x 480p	31.47	59.94
	31.50	60
1280 x 720p	44.96	59.94
	45.00	60.00
1920 x 1080i	28.12	50.00
	33.72	59.94
	33.75	60.00
	26.97	23.976
	27.00	24.000
1920 x 1080p	33.71	29.97
	33.75	30.000
	56.25	50.00
	67.43	59.939
	67.50	60.00
	67.50	60.00

Open Source Software Notice Information

To obtain the source code under GPL, LGPL, MPL, and other open source licenses, that is contained in this product, please visit <http://opensource.lge.com>. In addition to the source code, all referred license terms, warranty disclaimers and copyright notices are available for download.

LG Electronics will also provide open source code to you on CD-ROM for a charge covering the cost of performing such distribution (such as the cost of media, shipping, and handling) upon email request to opensource@lge.com. This offer is valid for three (3) years from the date on which you purchased the product.

Troubleshooting

- Cannot control the TV with the remote control.
 - Check if anything such as tape has been placed over the receiver.
 - Check if there is any obstacle between the product and the remote control.
 - Replace the batteries with new fresh ones.
- No image display and no sound is produced.
 - Check if the product is turned on.
 - Check if the power cord is connected to a wall outlet.
 - Check if there is a problem in the wall outlet by connecting other products.
- The TV turns off suddenly.
 - Check the power control settings. The power supply may be interrupted.
 - Check if the **Off Time / Sleep Timer** feature is activated in the **TIME** settings.
 - If there is no signal while the TV is on, the TV will turn off automatically after 15 minutes of inactivity.

External Control Device Setup

To obtain the external control device setup information, please visit www.lg.com.

Licenses

Supported licenses may differ by model. For more information about licenses, visit www.lg.com.



Manufactured under license from Dolby Laboratories. Dolby and the double-D symbol are trademarks of Dolby Laboratories.



The terms HDMI and HDMI High-Definition Multimedia Interface, and the HDMI logo are trademarks or registered trademarks of HDMI Licensing LLC in the United States and other countries.



This DivX Certified® device has passed rigorous testing to ensure it plays DivX® video. To play purchased DivX movies, first register your device at vod.divx.com. Find your registration code in the DivX VOD section of your device setup menu. DivX Certified® to play DivX® video up to HD 1080p, including premium content. DivX®, DivX Certified® and associated logos are trademarks of DivX, LLC and are used under license. Covered by one or more of the following U.S. patents: 7,295,673; 7,460,668; 7,515,710; 7,519,274.







The model and serial numbers of the TV are located on the back and on one side of the TV. Record them below should you ever need service.

MODEL _____

SERIAL _____



MANUAL DEL USUARIO

Seguridad y Consultas

TELEVISOR LED*

* Los televisores con LED de LG tienen pantallas LCD con luces de fondo LED.

Lea atentamente este manual antes de poner en marcha el equipo y consérvelo para futuras consultas.

43LF5400
49LF5400
43LF5410
49LF5410

32LF550B
49LF5500

32LF565B
50LF5650
55LF5650
60LF5650

40LF5700
43LF5700

www.lg.com

INSTRUCCIONES DE SEGURIDAD IMPORTANTES

Siga siempre estas instrucciones para evitar situaciones peligrosas y garantizar el rendimiento máximo del producto.



PARA REDUCIR EL RIESGO DE DESCARGAS ELÉCTRICAS, NO quite la cubierta (o la parte posterior). El usuario no puede cambiar ni reparar los componentes internos. Consulte únicamente al personal de servicio calificado.

⚡ El símbolo de relámpago con una punta de flecha, dentro de un triángulo equilátero, tiene como fin alertar al usuario sobre la presencia en el producto de voltaje peligroso sin aislar que puede tener la potencia suficiente para presentar riesgo de descargas eléctricas a los usuarios.

⚠ El signo de admiración dentro de un triángulo equilátero tiene el fin de alertar al usuario sobre la presencia de instrucciones importantes de funcionamiento y de mantenimiento (servicio) en el folleto que acompaña al equipo.

ADVERTENCIA/PRECAUCIÓN

- PARA REDUCIR EL RIESGO DE INCENDIOS O DESCARGAS ELÉCTRICAS, NO EXPONGA EL PRODUCTO A LA LLUVIA O LA HUMEDAD.

⚠ ADVERTENCIA

Si ignora el mensaje de advertencia, puede sufrir lesiones graves, accidentes o la muerte.

⚠ PRECAUCIÓN

Si ignora el mensaje de precaución, puede sufrir heridas leves o provocar daños en el producto.

📌 NOTA

La nota le ayuda a comprender y a utilizar el producto de forma segura. Lea la nota cuidadosamente antes de utilizar el producto.

Lea estas instrucciones.
Conserve estas instrucciones.
Preste atención a las advertencias.
Siga todas las instrucciones.



- No use el aparato cerca del agua.



- Limpie únicamente con un paño seco.



- No tape ni bloquee las aberturas de ventilación. Realice la instalación siguiendo las instrucciones del fabricante.



- No instale el producto cerca de fuentes de calor como radiadores, rejillas de calefacción central, estufas u otro tipo de aparatos que emitan calor (incluidos los amplificadores).



- No anule el propósito de seguridad del enchufe polarizado o del enchufe a tierra. Un enchufe polarizado tiene dos clavijas, una más ancha que la otra. Un enchufe a tierra tiene dos clavijas y un tercer terminal de puesta a tierra. La clavija ancha o el terminal de puesta a tierra se proveen para proteger al usuario. Si el enchufe del equipo no entra en la toma, consulte a un electricista para cambiar el tomacorriente (puede variar según el país).



- No ejerza demasiada presión sobre el panel con la mano ni con objetos punzantes, como un clavo, una lapicera o un lápiz, ni raye la superficie.



- Asegúrese de que el cable de alimentación esté protegido para evitar que lo pisen o aplasten, especialmente en los enchufes, los tomacorrientes o el punto de salida desde el aparato.



- Use únicamente los accesorios recomendados por el fabricante.



- Use el producto únicamente en mesas portátiles, pies, trípodes, soportes o mesas indicados por el fabricante o provistos con el aparato. Al emplear una mesa portátil, tenga cuidado al moverla con el aparato encima, para evitar daños por caídas.



- Desenchufe el aparato durante tormentas eléctricas o si no planea usarlo durante un periodo prolongado.



- Consulte todas las cuestiones de servicio de mantenimiento al personal de servicio calificado. El servicio es necesario cuando el aparato sufre algún tipo de daño, por ejemplo, cuando un cable de suministro eléctrico o un conector está dañado, se derrama líquido o se cae un objeto dentro del aparato, el aparato se expone a la lluvia o a la humedad, no funciona en forma normal o sufre una caída.



- No inserte objetos de metal u otro material conductor en el cable de alimentación. No toque el extremo del cable de alimentación mientras esté enchufado.
- Mantenga el material de empaque contra la humedad y el empaque de vinilo fuera del alcance de los niños. El material contra la humedad es dañino si se ingiere. Si se ingiere por error, se debe inducir el vómito e ir al hospital más cercano. Además, el empaque de vinilo puede provocar asfixia. Manténgalo fuera del alcance de los niños.

- **PRECAUCIÓN** con respecto al cable de alimentación (puede variar según el país): Consulte la página de especificaciones en el manual del usuario. No conecte demasiados aparatos a la misma toma de ca, dado que podría provocar incendios o descargas eléctricas. No sobrecargue los tomacorrientes de la pared no estén sobrecargados, sueltos ni dañados, y que los alargues, los cables de alimentación y el aislamiento de los cables no estén desgastados, ya que estas condiciones son peligrosas. Cualquiera de estos casos podría provocar incendios o descargas eléctricas. Examine regularmente el cable del aparato; si le parece que está dañado o deteriorado, desenchúfelo y no use más ese cable. Llame al personal de servicio técnico autorizado para que lo reemplace por uno exactamente igual. Proteja el cable de alimentación de daños físicos o mecánicos, es decir, que no se tuerza, doble, deforme, que no quede atrapado al cerrar una puerta y que no lo pisen. Preste especial atención a los enchufes, tomacorrientes de la pared y al punto de salida del cable en el aparato. No mueva el televisor con el cable de alimentación enchufado. No use un cable de alimentación que esté suelto o dañado. Al desenchufar el cable, asegúrese de hacerlo desde el enchufe. No tire del cable para desenchufar el televisor.



- **Advertencia** - para disminuir los riesgos de incendio o descargas eléctricas, no exponga el producto a la lluvia, la humedad u otro tipo de líquidos. No toque el televisor con las manos mojadas. No instale el producto cerca de objetos inflamables como combustible o velas, ni lo exponga al aire acondicionado directo.



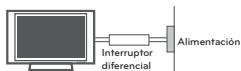
- No exponga el producto a ningún tipo de goteo ni salpicaduras, y no coloque sobre o por encima del televisor (por ejemplo, en estantes que pudieran encontrarse arriba de la unidad) ningún tipo de objeto que contenga líquido, como floreros, tazas, etc.





• Puesta a tierra

(Excepto dispositivos sin conexión a tierra.) Asegúrese de que el cable de puesta a tierra esté conectado para evitar descargas eléctricas (es decir, un televisor con un enchufe de ca de tres clavijas debe conectarse a un tomacorriente de ca con puesta a tierra de tres clavijas). Si no puede colocarse ninguna puesta a tierra, solicite a un electricista calificado que instale un disyuntor. No intente improvisar una puesta a tierra con conexiones a cables de teléfono, pararrayos o tuberías de gas.

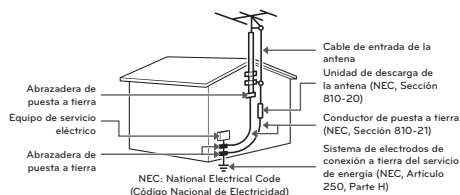


- Mientras la unidad esté conectada al tomacorriente de ca de la pared, no se desconectará de la fuente de alimentación de ca, aún cuando el aparato esté apagado.
- No intente modificar este producto de ninguna manera sin autorización previa por escrito de LG Electronics. Cualquier tipo de modificación sin autorización previa podría anular la autoridad del usuario para usar el producto.

• Puesta a tierra con una antena exterior

(puede variar según el país): Si instala una antena exterior, tome las siguientes precauciones. No se debe instalar el sistema de antena exterior cerca de las líneas aéreas de transmisión de energía, de ningún circuito o luz eléctrica, ni en ningún lugar donde pudiera entrar en contacto con este tipo de cables eléctricos o circuitos, dado que podría provocar daños graves o incluso la muerte. Asegúrese de que el sistema de antena tenga una puesta a tierra para proteger contra sobretensiones y acumulaciones de cargas estáticas. La Sección 810 del Código Nacional de Electricidad (NEC) de los Estados Unidos establece la forma de realizar una puesta a tierra correcta del mástil, de la estructura de soporte, del cable de bajada a una unidad de descarga de la antena, el tamaño de los conductores de puesta a tierra, la ubicación de la unidad de descarga de la antena, y la conexión y los requisitos de los electrodos de puesta a tierra

Puesta a tierra de la antena según el Código Nacional de Electricidad, ANSI/NFPA 70



• Limpieza

Al efectuar la limpieza, desenchufe el cable de alimentación y limpie suavemente con un paño suave para no rayar la superficie. No rocíe con agua ni otros líquidos directamente sobre el televisor, dado que podría provocar una descarga eléctrica. No limpie con productos químicos como alcohol, diluyentes o bencina.

• Traslados

Asegúrese de que el aparato esté apagado, desenchufado y que no quede ningún cable conectado. Es posible que se necesiten dos personas para trasladar los televisores de gran tamaño. No ejerza presión ni empuje el panel frontal del televisor.

• Ventilación

Instale el televisor en un lugar bien ventilado. No lo coloque en un lugar cerrado como, por ejemplo, un estante para libros. No cubra el producto con telas ni ningún otro material mientras esté enchufado. No lo instale en lugares con demasiado polvo.

- Si huele humo u otros olores que provienen de la TV, desconecte el cable de alimentación y comuníquese con un centro de servicio autorizado.

- Mantenga el aparato alejado de la luz solar directa.

- Nunca toque el aparato o la antena durante una tormenta eléctrica o con truenos.

- Al montar el televisor en la pared, asegúrese de que los cables de alimentación y de señal no queden colgando en la parte posterior.

- No permita que se golpee el producto o que algún objeto se caiga dentro de él, ni que se golpee la pantalla.

• DESCONEJÓN DEL DISPOSITIVO DE LA ALIMENTACIÓN PRINCIPAL

El enchufe de alimentación se desconecta del dispositivo. En caso de una emergencia, el enchufe debe estar siempre accesible.

• Baterías

Guarde los accesorios (baterías, etc.) en un lugar seguro lejos del alcance de los niños.

- Este aparato usa baterías. Puede ser que en su comunidad existan normativas que requieren que deseches estas baterías de forma correcta debido a las consideraciones ambientales. Póngase en contacto con la autoridad local para obtener información acerca del desecho o reciclaje.

- No deseches las baterías en el fuego.
- No provoque cortes de circuitos, desarme ni permita que las baterías se sobrecalienten



- No utilice equipo de alto voltaje cerca de la TV, (por ejemplo, eliminador de insectos eléctrico). Esto puede causar que el producto funcione mal.

- **Aparición de puntos**

El panel es un producto de alta tecnología con una resolución de entre dos y seis millones de píxeles. En raras ocasiones, es posible que note la presencia de pequeños puntos en la pantalla mientras mira televisión. Estos puntos son píxeles desactivados y no afectan el rendimiento ni la fiabilidad del televisor.

- **Reproducción de ruidos**

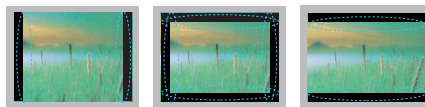
Crujidos es posible que se produzcan crujidos cuando esté mirando televisión o al apagar el televisor; se trata de un ruido generado por la contracción térmica del plástico debido a la temperatura y la humedad. Este ruido es común en productos donde se requiere la deformación térmica.

Zumbidos en el circuito eléctrico o el panel

se trata de un ruido de bajo nivel, generado por un circuito de conmutación de alta velocidad, que suministra una gran cantidad de corriente para que un producto pueda funcionar. Varía según cada producto. Este ruido no afecta el rendimiento ni la fiabilidad del producto.

- Tenga cuidado de no tocar las aberturas de ventilación. Al mirar televisión durante largos periodos, las aberturas de ventilación pueden calentarse. Esto no afecta el rendimiento ni causa defectos en el producto.
- No instale este producto en una pared si podría ser expuesto a aceite o vapor de aceite. Esto podría dañar el producto y hacer que se caiga.
- Si siente que el televisor está frío al tocarlo, es posible que ocurra un pequeño parpadeo cuando lo prenda. Se trata de algo normal y no significa que el televisor esté dañado. También es posible que aparezcan pequeños puntos en la pantalla, de color rojo, verde o azul. Sin embargo, no afectan el rendimiento del televisor. No toque la pantalla LCD ni coloque los dedos sobre ella durante mucho tiempo. Esto podría producir algunos efectos de distorsión temporales en la pantalla.

Cómo evitar el efecto de degradación de la imagen por sobreexposición o quemadura de pantalla del televisor



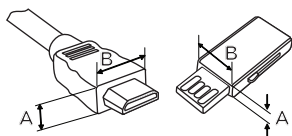
- Si se muestra una imagen fija en la pantalla del televisor durante un período largo, esta quedará impresa y se convertirá en una distorsión permanente de la pantalla. A este desperfecto se lo conoce como degradación de la imagen por sobreexposición o quemadura de pantalla y no está cubierto por la garantía.
- Si la relación de aspecto del televisor se establece durante mucho tiempo en 4:3, se puede producir una degradación de imagen en las zonas de bandas del formato buzón.
- Evite emitir imágenes fijas en la pantalla del televisor durante periodos prolongados (2 horas o más para LCD, 1 hora o más para TV de plasma) para evitar la degradación de imagen.

Preparación

! NOTA

- La imagen puede ser diferente a la de su televisor.
- El OSD (On Screen Display, Despliegue En la Pantalla) de su TV puede ser un poco diferente que este manual.
- Los menús y las opciones disponibles pueden variar según la fuente de entrada que utilice.
- Es posible que se agreguen nuevas funciones a este televisor en el futuro.
- Los artículos suministrados con el producto adquirido pueden variar según el modelo.
- Es posible que cambien las especificaciones del producto o el contenido del manual sin previo aviso debido a las actualizaciones de las funciones del producto.
- Para que la conexión sea óptima, los cables HDMI y los dispositivos USB tienen que tener biseles que no superen los 10 mm de espesor y 18 mm de ancho.
- Utilice un cable de extensión que sea compatible con USB 2.0, en caso de que el cable USB o la tarjeta de memoria USB no encajen en el puerto USB del TV.
- Utilice un cable certificado con el logotipo de HDMI adjunto. Si no utiliza un cable HDMI certificado, es posible que la pantalla no muestre imágenes o que ocurra un error de conexión.

- Tipos de cable HDMI recomendados
 - Cable HDMI™/™ de alta velocidad
 - Cable HDMI™/™ de alta velocidad con Ethernet



*A ≤ 10 mm
*B ≤ 18 mm

⚠ PRECAUCIÓN

- No use ningún producto no autorizado para garantizar la seguridad y la vida útil del producto.
- Ningún daño o lesiones por el uso de elementos no autorizados no están cubiertos por la garantía.
- Algunos modelos parecen tener un plástico fino sobre la pantalla. Esta forma parte de la pantalla, así que no la retire.
- Al instalar la base del televisor, ponga la pantalla hacia abajo sobre una mesa acolchada o una superficie plana para evitar rayas.
- Asegúrese de que los tornillos estén completamente ajustados. (Si no están lo suficientemente ajustados, el TV puede inclinarse hacia delante después de instalarse.)
- No ajuste los tornillos con demasiada fuerza, de lo contrario, se pueden desgastar y aflojar.

Para eliminar suciedad de mayor importancia, limpie la superficie con un paño suave humedecido con agua limpia o un detergente suave diluido. Después, pase de inmediato un paño seco.

⚠ PRECAUCIÓN

- No ejerza presión, refriegue ni golpee la superficie con las uñas o un objeto punzante, dado que puede rayar la pantalla y producir distorsiones en la imagen.
- No utilice sustancias químicas (como ceras, bencina, alcohol, tñer, insecticidas, desodorantes de ambientes o lubricantes) dado que pueden dañar el acabado de la pantalla y causar decoloración.
- No rocíe líquido sobre la superficie. Si entra agua en el televisor, puede ocasionar incendios, descargas eléctricas o mal funcionamiento.

Cable de alimentación

Quite con regularidad el polvo o la tierra acumulados en el cable de alimentación.

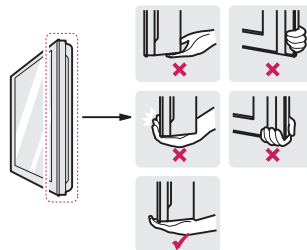
Levantar y trasladar el televisor

Si desea levantar o trasladar el televisor, lea las instrucciones a continuación para no rayar o dañar el aparato, y para transportarlo de forma segura, independientemente del tamaño o tipo de aparato.

- Se recomienda trasladar el televisor en la caja o el material de empaque en el que lo recibió al comprarlo.
- Antes de mover o levantar el televisor, desconecte el cable de alimentación y el resto de los cables.
- Cuando sostenga el televisor, la pantalla debe quedar alejada de usted para evitar algún daño.



- Sostenga con firmeza la parte superior e inferior del marco del televisor. Asegúrese de no sostenerlo por la parte transparente, por la bocina o por el área de rejillas de las bocinas.



Mantenimiento

Limpieza del televisor

Limpie regularmente el televisor para que siga funcionando con el máximo rendimiento y para extender la vida útil del producto.

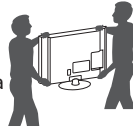
⚠ PRECAUCIÓN

- Antes de proceder con la limpieza, apague el equipo y desconecte el cable de alimentación y todos los cables.
- Cuando deje el TV desatendido o no lo utilice durante mucho tiempo, desconecte el cable de alimentación de la toma de corriente para evitar posibles daños por descargas o sobrecargas de energía.

Pantalla, marco, gabinete y base

Para quitar el polvo o la suciedad leve, pase un paño seco, limpio y suave por la superficie.

- Utilizar al menos dos personas para mover un televisor grande.
- Al transportar el televisor con las manos, sosténgalo como se indica en esta ilustración.



- Al transportar el televisor, no lo someta a sacudones o vibración excesiva.
- Al transportar el televisor manténgalo en posición vertical, nunca lo apoye sobre uno de los costados, ni lo incline hacia la derecha o la izquierda.

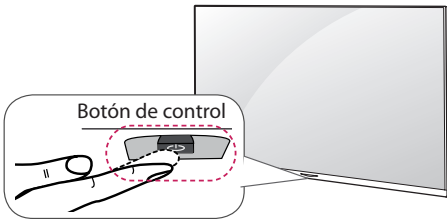
⚠ PRECAUCIÓN

- No toque la pantalla. De lo contrario, podría dañarla.
- No coloque el producto en el piso con la parte frontal hacia abajo sin una almohadilla. Al hacerlo puede causar daños a la pantalla.
- No mueva el televisor tirando del sujetacables y organizador de cables, debido a que el sujetador del cable se puede romper, y causar daños en el televisor. (Según el modelo)

Uso del botón de control

(Según el modelo)

Simplemente puede operar las funciones de la TV, presionando o moviendo el botón de control hacia arriba, abajo, izquierda o derecha.



Funciones Básicas

 Encendido	Cuando la TV está apagada, coloque el dedo en el botón de control y presione una vez y suéltelo.
 Apagado	Cuando la TV está encendida, coloque el dedo en el botón de control y presione unos segundos y suéltelo. (Sin embargo, si el botón de menú está en la pantalla, presione y mantenga pulsado el botón de control, esto le permitirá salir del menú.)
 Control de Volumen	Si coloca su dedo sobre el botón de control y lo mueve hacia la izquierda o la derecha, puede ajustar el nivel de volumen que desee.
 Control de Canales	Si coloca su dedo sobre el botón de control y lo mueve hacia arriba o abajo, puede desplazarse a través de los canales guardados que desee.

! NOTA

- Con el dedo sobre el botón de control, muévelo hacia arriba, abajo, izquierda o derecha, tenga cuidado de no presionar el botón de control. Si presiona primero el botón de control, es posible que no pueda ajustar el nivel de volumen y/o desplazarse por los canales guardados.

Ajustar el Menú

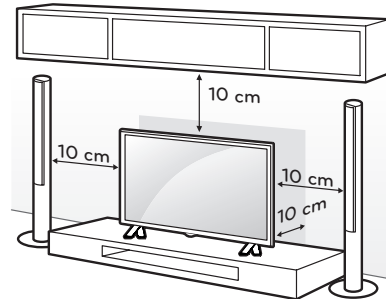
Cuando la TV está encendida, presione el botón de control una vez. Puede ajustar los elementos del menú moviendo el botón de control hacia arriba, abajo, izquierda o derecha.

	Apagar alimentación.
	Permite acceder a los menús principales.
	Limpia la visualización en pantalla y vuelve al modo de TV.
	Accesar a las fuentes de entrada.

Montar sobre una mesa

(Según el modelo)

- 1 Levante el televisor y déjelo en posición vertical sobre la mesa.
 - Deje un espacio mínimo de 10 cm entre el televisor y la pared para asegurar una ventilación adecuada.



- 2 Conecte el cable de alimentación al tomacorriente de la pared.

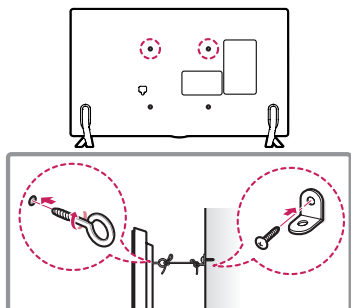
⚠ PRECAUCIÓN

- No colocar la televisión cerca de fuentes de calor, puede resultar quemada u ocasionar otro daño.

ESPAÑOL

Fijar el televisor a la pared (opcional)

(Según el modelo)



- 1 Inserte y ajuste los tornillos de ojo del televisor en su parte posterior.
- En caso de que haya tornillos insertados, primero retírelos.
- 2 Utilice los tornillos para colocar los soportes correspondientes en la pared. Acople el soporte de la pared con los tornillos de ojo a la parte posterior del televisor.
- 3 Conecte los tornillos de ojo y los soportes con un cordón fuerte y ajústelos con firmeza. Asegúrese de mantener el cordón en posición horizontal a la superficie plana.

⚠ PRECAUCIÓN

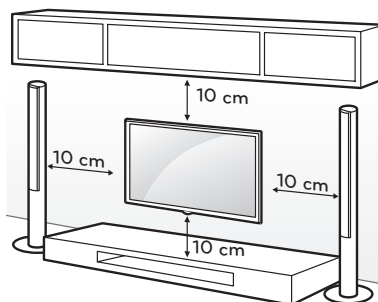
- Asegúrese de que los niños no se suban al televisor ni se cuelguen de él.

! NOTA

- Utilice una plataforma o un armario que sea lo suficientemente fuerte y grande para sostener el televisor de manera segura.
- Los soportes, los tornillos y los cordones son opcionales. Puede solicitar otros accesorios a través de su distribuidor local.

Montar en la pared

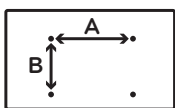
Se puede usar un soporte de pared opcional con el televisor LG. Consulte al distribuidor local para adquirir un soporte de pared que cumpla con el estándar VESA que usa su modelo de TV. Cuidadosamente coloque el soporte de pared en la parte posterior del TV. Instale el soporte de pared en una pared sólida, perpendicular al piso. Si va a instalar el TV sobre otros materiales de construcción, póngase en contacto con personal técnico calificado para instalar el soporte de pared. El soporte de pared incluirá instrucciones detalladas. Recomendamos que use un soporte de pared de marca LG. Cuando no utilice el soporte de montaje de pared LG, por favor, utilice un soporte de montaje de pared en el que el dispositivo esté debidamente sujeto a la pared con el espacio suficiente para permitir la conectividad con dispositivos externos.



Asegúrese de usar tornillos y soportes de pared que cumplan con el estándar VESA. En la tabla siguiente se detallan las dimensiones de los conjuntos de montaje de pared.

Modelo	43LF5400 43LF5410 32LF550B 32LF565B 40LF5700 43LF5700	49LF5400 49LF5410
VESA (A x B)	200 x 200	300 x 300
Tornillo estándar	M6	M6
Cantidad de tornillos	4	4
Soporte de pared (opcional)	LSW240B MSW240	LSW350B MSW240

Modelo	49LF5500 50LF5650 55LF5650	60LF5650
VESA (A x B)	400 x 400	400 x 400
Tornillo estándar	M6	M6
Cantidad de tornillos	4	4
Soporte de pared (opcional)	LSW440B MSW240	LSW440B

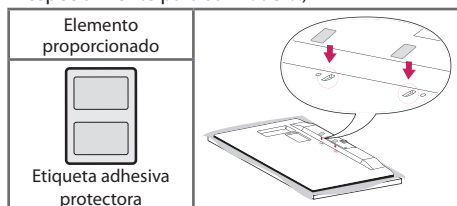


⚠ PRECAUCIÓN

- Antes de mover o instalar el televisor, desconecte el cable de alimentación. De lo contrario, podría provocar una descarga eléctrica.
- Antes de montar el televisor en la pared, retire la base, realizando la instalación de ésta en orden inverso.
- Si instala el televisor en el techo o en una pared inclinada, podría caerse y provocar lesiones graves. Utilice un soporte de pared autorizado por LG y comuníquese con el distribuidor local o con personal técnico calificado. Cuando usa un soporte de pared de otro fabricante, este no es cubierto por la garantía.
- No ajuste excesivamente los tornillos, dado que podría dañar el televisor y anular la garantía.
- Utilice tornillos y soportes de pared que cumplan con la norma VESA. La garantía no cubre daños ni lesiones provocados por el uso incorrecto del aparato o de accesorios no autorizados.

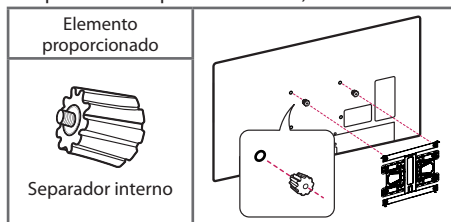
! NOTA

- Utilice los tornillos enumerados en las especificaciones del estándar VESA.
- El conjunto de montaje de pared incluye un manual de instalación y las piezas necesarias.
- El soporte de pared es opcional. Puede adquirir accesorios adicionales con el distribuidor local.
- La longitud de los tornillos puede variar según el tipo de soporte de pared. Asegúrese de utilizar la longitud adecuada.
- Para obtener más información, consulte el manual suministrado con el montaje de pared.
- Cuando use el soporte de pared, coloque la etiqueta adhesiva protectora para cubrir las aberturas del soporte no utilizadas. Esto ayudará a prevenir la acumulación de polvo y suciedad. (Utilice únicamente cuando es proporcionado especialmente para su modelo.)



- Al colocar un Soporte de montaje para la televisión, insertar los separadores internos en los agujeros de montaje de la televisión para

moverla en un ángulo vertical.
(Utilice únicamente cuando es proporcionado especialmente para su modelo.)



Conexiones (Notificaciones)

Se pueden conectar dispositivos externos al TV. Los dispositivos externos compatibles son: receptores de HD, reproductores de DVD, VCR, sistemas de audio, dispositivos de almacenamiento USB, PC, dispositivos de juegos, etc. Para más información acerca de la conexión de dispositivos externos, diríjase al manual que viene con cada dispositivo.

! NOTA

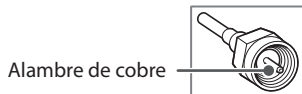
- Si graba un programa de TV en una grabadora de DVD o VCR, asegúrese de conectar el cable de entrada de señal al televisor a través una grabadora de DVD o VCR. Para obtener más información acerca de la grabación, consulte el manual proporcionado con el dispositivo conectado.
- Las conexiones de dispositivos externos que se muestran pueden ser levemente diferentes de las ilustraciones en este manual.
- Conecte los dispositivos externos al televisor independientemente del orden del puerto del aparato.
- Si conecta un dispositivo de juego al televisor, utilice el cable provisto con un dispositivo de juego.
- Consulte el manual del equipo externo para ver las instrucciones de funcionamiento.

Conexión de una antena o un cable

Para mirar televisión, conecte una antena, un cable o una caja de cable. Las ilustraciones pueden diferir de los elementos reales y el cable RF es opcional.

⚠ PRECAUCIÓN

- Asegúrese de no doblar el alambre de cobre del cable de RF.



- Primero conecte todos los dispositivos entre sí y luego conecte el cable de alimentación al tomacorriente, para que el televisor no resulte dañado.

! NOTA

- Para mejorar la calidad de la imagen en una zona con poca señal, compre un amplificador de señal.
- Utilice un divisor de señal para usar 2 televisores o más.
- Si la antena no está instalada correctamente, póngase en contacto con su distribuidor para obtener ayuda.
- Códec compatible con Audio DTV: MPEG, AAC, HE-AAC

Otras conexiones

Conecte su TV a dispositivos externos. Para tener una mejor calidad de imagen y audio, conecte el dispositivo externo y el televisor con el cable HDMI tal como se muestra.

Control remoto

(La imagen puede ser diferente a la de su televisor.)

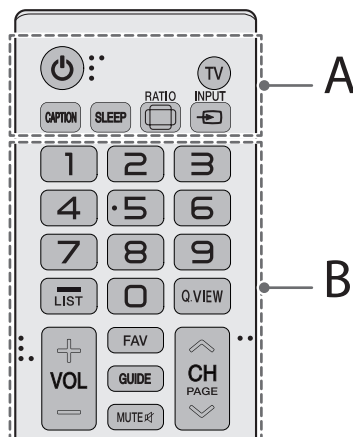
Las descripciones en este manual se basan en los botones en el control remoto. Lea atentamente este manual y siga las instrucciones de uso. Para reemplazar las baterías, abra la tapa de las baterías, coloque otras baterías (AAA de 1,5 Vcc) y haga coincidir los extremos \oplus y \ominus con los de la etiqueta que se encuentra dentro del compartimiento. A continuación, cierre la tapa. Introducir las baterías sin hacer coincidir su polaridad puede causar filtraciones o quemar la batería, lo que podría provocar un incendio, lesiones en personas o contaminación ambiental.

Para retirar las baterías, realice la acción de instalación a la inversa.

Este control remoto utiliza luz infrarroja. Cuando lo use, apunte hacia el sensor correspondiente del televisor.

⚠ PRECAUCIÓN

- No mezcle pilas viejas y nuevas, ya que esto puede dañar el control remoto.



A

⏻ (ENCENDIDO) Enciende o apaga el televisor.

TV Regresa al último canal de televisión.

CAPTION Activa o desactiva los subtítulos.

SLEEP Establece el periodo de tiempo hasta que el televisor se apague automáticamente.

📺 RATIO Cambia el tamaño de una imagen.

📺 INPUT Accesar a las fuentes de entrada. Enciende la TV si está apagada.

B

Botones Numerales Permiten introducir números.

- (Guión) Inserta un guión entre los números, por ejemplo, 2-1 y 2-2.

LIST Acceder a la lista de canales guardados.

Q.VIEW Permite alternar entre los dos últimos canales seleccionados (al presionarlo repetidamente).

+ VOL - Ajusta el nivel del volumen.

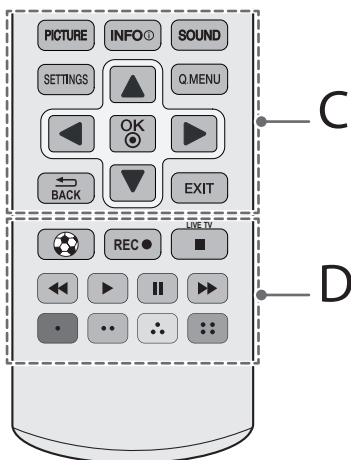
FAV Acceder a la lista de canales favoritos.

GUIDE Muestra el evento de programa según la hora programada.

MUTE \boxtimes Silencia todos los sonidos.

^CH^ Permite desplazarse por los canales guardados.

^PAGE^ Permite ir a la pantalla anterior o siguiente.



C

PICTURE Cambia el modo de la imagen.

INFO ⓘ Muestra información del programa actual.

SOUND Cambia el modo de audio.

SETTINGS Permite acceder a los principales menús.

Q.MENU Permite acceder al menú rápido.

Botones de navegación

(hacia arriba/abajo/derecha/izquierda)

Permiten desplazarse por los menús o las opciones.

OK ⓘ Permite seleccionar menús u opciones y confirmar lo ingresado.

BACK (Volver) Permite volver al nivel anterior.

EXIT Borra todo lo que muestra la pantalla y se regresa a ver la televisión.

D

Fútbol Optimiza la configuración de imagen y audio para fútbol.

REC ● Comenzar a grabar.

(Solo modelos compatibles para Time Machine Ready.)

LIVE TV Regresa al canal en vivo.

Botones de control (■, ▶, ||, ◀, ►)

Controla los menús de MIS MEDIOS, Time Machine Ready o dispositivos compatibles con SIMPLINK (USB, SIMPLINK o Time Machine Ready).

Botones de color

(■ Rojo, ■ Verde, ■ Amarillo, ■ Azul) Estos accesos de funciones especiales son usados en algunos menús.

CONFIGURACIÓN

Para ajustar canales de forma automática

SETTINGS ⇒ CANAL → Sintonización automática

Memoriza de manera automática los canales que se están transmitiendo.

- Si la antena/cable no se instala correctamente, los canales no se memorizarán de forma adecuada.
- La **Sintonización automática** memoriza los canales que se transmiten en ese momento.
- Si el **Sist. de Bloqueo** está encendido, aparecerá una ventana emergente que le pedirá la contraseña.

Acerca del contenido interactivo (DTVi)

(Según del país)

Este TV incluye la función interactiva de TV Digital (DTVi) que permite el uso de aplicaciones, también conocida como Ginga®.

- Al seleccionar un canal digital interactivo, será posible visualizar e interactuar con las aplicaciones transmitidas por las emisoras. El contenido puede variar. Por ejemplo: Pronóstico del tiempo, noticias en tiempo real, informes de tráfico, descripciones de telenovelas y programas, juegos interactivos, acceso a cuentas bancarias, servicios gubernamentales, información sobre fútbol y otros deportes.
- El canal de retorno está disponible en los modelos de TV que admiten entrada Ethernet y que están configuradas correctamente.

Para seleccionar el Modo de imagen

SETTINGS ⇒ IMAGEN → Modo de imagen

Seleccione el modo de imagen optimizado para el programa o entorno de visualización.

- **Vivo** Resalta el contraste, el brillo y la nitidez para mostrar imágenes vivas.
- **Estándar** Muestra imágenes en niveles estándares de contraste, brillo y nitidez.
- **Eco** La función de economizador de energía cambia las configuraciones del TV para disminuir el consumo de energía.
- **Cine / Juego** Muestra la imagen óptima para películas, juegos.
- **Fútbol** Modo de imagen optimizado para partidos de fútbol. El terreno de juego y los equipos se presentan en colores vibrantes, con imágenes nítidas, incluso para los movimientos rápidos.



- **Experto** Menú para ajustar la calidad de la imagen que permite tanto a expertos como a aficionados disfrutar de la mejor visualización de TV. Este menú de ajuste se proporciona para profesionales de calibración de imagen certificados por la ISF. (El logo de la ISF sólo se puede utilizar en TV certificados por la ISF.) ISFccc: control de calibración certificado por Imaging Science Foundation
- Según la señal de entrada, el rango disponible de modos de imagen podría variar.
- El modo **Experto** está diseñado para que los profesionales de la calibración de imágenes controlen y realicen ajustes finos mediante el uso de una imagen en particular. En el caso de imágenes normales, es posible que los efectos no sean drásticos.

Para ajustar el control avanzado

SETTINGS ⇒ IMAGEN → Modo de imagen → Control Avanzado / Control de Experto

En cada modo de imagen puede calibrarse la pantalla y también es posible ajustar las características de la imagen en el caso de una pantalla especial. Seleccione el **Modo de imagen** que desee.

- **Contraste Dinámico** Ajusta el contraste en el nivel óptimo de acuerdo con el brillo de la imagen.
- **Color Dinámico** Ajusta los colores para lograr que la imagen aparezca en colores más naturales.
- **Rango de color** Selecciona el rango de colores que pueden representarse.
- **Color de piel** El espectro del Color de piel puede establecerse de manera independiente para implementar el color de piel definido por el usuario.
- **Color del Cielo** El color del cielo se configura por separado.
- **Color del Césped** El espectro de colores naturales (prados, montañas, etc.) se puede configurar por separado.
- **Gamma** Establece la curva de gradación de acuerdo con la salida de la señal de la imagen en relación con la señal de entrada.
- **Mejorador de contornos** Muestra los bordes del video más claros y definidos, pero naturales.
- **Patrón experto** Patrones utilizados para el ajuste experto.
- **Filtro de Color** Filtra un espectro específico de color en colores RGB para lograr un ajuste fino de la saturación del color y del matiz con precisión.
- **Temp color** Ajusta el tono general de la pantalla como lo desee. En el Modo experto, se puede establecer una calibración fina detallada mediante el método Gamma, etc.

- **Sistema de Mantenimiento de Color** Este es el sistema que utilizan los expertos para ajustar los colores con un patrón de prueba. Pueden seleccionar a partir de seis áreas de color (Rojo/ Verde/ Azul/ Cian/ Magenta/ Amarillo) sin afectar los colores restantes. En el caso de las imágenes normales, es posible que los ajustes no produzcan cambios notorios de color.
- Según la señal de entrada y otras características de la imagen, podría variar el rango de los elementos de ajuste detallados.

Para ajustar otras opciones de imagen

SETTINGS ⇒ IMAGEN → Modo de imagen → Opciones de Imagen

Ajusta la configuración para las imágenes.

- **Reducción de ruido** Elimina el ruido en la imagen.
- **Reducción ruido MPEG** Elimina el ruido generado al crear señales de imágenes digitales.
- **Nivel de Negro** Ajusta el brillo y el contraste de la pantalla para que se ajusten al nivel de negro de la imagen de entrada al utilizar la oscuridad (nivel de negro) de la pantalla.
- **Cine real** Optimiza la pantalla para poder ver películas.
- **Protección de Visión al movimiento** [Según el modelo] Ahorrar energía al ajustar el brillo correspondiente al movimiento de la imagen en pantalla.
- Según la señal de entrada y otras características de la imagen, podría variar el rango de los elementos de ajuste detallados.

Para usar la función de Ahorro de Energía

SETTINGS ⇒ IMAGEN → Ahorro de Energía

Ahorra energía eléctrica al ajustar el brillo de la pantalla.

- **Apagado** Apaga el Ahorro de Energía.
- **Mínimo / Medio / Máximo** Se aplica al Ahorro de Energía pre ajustado.
- **Apagado de Pantalla** La pantalla se apaga y solo se reproduce audio. Pulse cualquier botón del control remoto para volver a encender la pantalla, excepto por el botón de encendido.



Para usar las Bocinas del TV (Excepto series LF5400 / LF5410)

SETTINGS ⇒ **AUDIO** → **Salida de audio** → **Bocinas de TV**

El audio sale a través de las bocinas del TV.

Para usar las Bocinas externas (Excepto series LF5400 / LF5410)

SETTINGS ⇒ **AUDIO** → **Salida de audio** → **Bocina Externa (Óptico)**

[Solamente disponible para modelos con un puerto óptico.] El audio sale a través de las bocinas conectadas al puerto óptico.

- Compatible con SIMPLINK.

Para usar la Salida de audio digital (Excepto series LF5400 / LF5410)

SETTINGS ⇒ **AUDIO** → **Salida de audio** → **Bocina Externa (Óptico)** → **Salida de Audio Digital**

[Según el modelo]


Ajuste de la Salida de audio digital.

Elemento	Entrada de audio	Salida de audio digital
Automático	MPEG Dolby Digital Dolby Digital Plus HE-AAC	PCM Dolby Digital Dolby Digital Dolby Digital
PCM	Todos	PCM

Para conectar y utilizar un dispositivo de audio LG (Excepto series LF5400 / LF5410)

SETTINGS ⇒ **AUDIO** → **Salida de audio** → **Sinc. de sonido LG (Óptico)**

[Solamente disponible para modelos con un puerto óptico.]

Conecte el dispositivo de audio LG con el logo  hacia el puerto de salida de audio digital óptico. El dispositivo de audio LG le permite disfrutar una mejor potencia de audio de forma fácil.

Para ajustar la Sinc. AV

SETTINGS ⇒ **AUDIO** → **Sinc. AV**

Sincroniza video y audio descoordinados. Seleccione **Sinc. AV** en **Encendido** para la sincronización de salida de audio (Bocinas de TV) con el video.

Para usar SIMPLINK

SIMPLINK controla y administra dispositivos multimedia de forma cómoda con el control remoto del TV a través del menú SIMPLINK.

- 1 Conecte la terminal **HDMI IN** del TV y la terminal de salida HDMI del dispositivo SIMPLINK con el cable HDMI.
- [Según el modelo] Para las unidades de Teatro en Casa con la función SIMPLINK, conecte las terminales HDMI como se indicó y use un cable óptico para conectar la salida de audio digital óptico del TV con la entrada de audio digital óptico del dispositivo SIMPLINK.
- 2 Seleccione **INPUT** ⇒ **SIMPLINK**. Aparecerá la ventana del menú SIMPLINK.
- 3 En la ventana de ajustes de SIMPLINK, establezca la función SIMPLINK en **Encendido**.
- 4 En la ventana de menú SIMPLINK, seleccione el dispositivo que desea controlar.
 - Esta función solo es compatible con los dispositivos que tengan el logo SIMPLINK.
 - Para usar la función SIMPLINK, use un cable HDMI* de alta velocidad (con la característica CEC [Control de equipos electrónicos de consumo] incorporada). El cable HDMI* de alta velocidad tiene 13 clavijas conectadas para permitir el intercambio de información entre dispositivos.
 - Al cambiar a otra entrada, el dispositivo SIMPLINK se detiene.
 - Si se incorpora un dispositivo externo con función HDMI-CEC, el dispositivo SIMPLINK podría dejar de funcionar con normalidad.
 - [Según el modelo] Cuando selecciona o reproduce los medios del dispositivo con la función Teatro en Casa, las **Bocinas de HT** se conectan de manera automática. Asegúrese de conectar mediante un cable óptico (se vende por separado) para usar la función **Bocinas de HT**.



Descripción de la función SIMPLINK

- **Reproducción directa:** Reproduce el dispositivo multimedia en el TV de manera instantánea.
- **Selección del dispositivo multimedia:** Selecciona el dispositivo de su preferencia mediante el menú SIMPLINK y controla el dispositivo desde la pantalla del TV de manera instantánea.
- **Reproducción del disco:** Administra el dispositivo multimedia con el control remoto del TV.
- **Apagar todos los dispositivos:** Al apagar el TV, se apagan todos los dispositivos conectados.
- **Encendido sincronizado:** Cuando comience a funcionar un equipo que incluya la función SIMPLINK y esté conectado al terminal HDMI, el TV se encenderá automáticamente.
- **Bocinas:** [Según el modelo] Selección entre la unidad de Teatro en Casa, o las bocinas de TV.

Para fijar contraseña

SETTINGS ⇒ BLOQUEAR → Fijar Contraseña

Fija o cambia la contraseña del TV.

- La contraseña inicial es **0000**.

Para establecer el subtítulo

SETTINGS ⇒ OPCIÓN → Subtítulo

Vea subtítulos cuando la estación de TV proporcione programación subtitulada. La programación de subtítulos funciona solo en transmisiones digitales/análogas o salidas externas.

Cambie **Subtítulo** a **Encendido** y seleccione los ajustes de subtítulo.

- **Modo**
 - Subtít. 1-2** (Subtítulo oculto) /
 - Texto 1-2:** Muestra el audio de un programa de TV como texto en pantalla. Subtít. 1 es el modo más común en uso.
 - Digital:** Este modo solo se encuentra disponible para el sistema de transmisión digital.

Para volver a la configuración inicial

SETTINGS ⇒ OPCIÓN → Configuración Inicial

Vuelve al modo predeterminado inicial mediante la eliminación de toda la configuración opcional. Una vez que se completa la inicialización, el TV se apagará y encenderá automáticamente.

- Cuando **Sist. de Bloqueo** se activa, aparece una ventana emergente que solicita la contraseña.
- No desconecte la energía durante la inicialización.

Para quitar el dispositivo USB

Q.MENU ⇒ Dispositivo USB

Una vez que se muestre el mensaje con el aviso de que el dispositivo USB se ha quitado, desconecte el dispositivo del TV.

- Después de seleccionar quitar el dispositivo USB, el dispositivo de almacenamiento USB no podrá leerse. Quite el dispositivo de almacenamiento USB y luego vuelva a conectarlo.

Advertencia al usar un dispositivo de almacenamiento USB

- Los dispositivos de almacenamiento USB que cuenten con un programa de reconocimiento integrado o con un controlador propio podrían no funcionar.
- Algunos dispositivos de almacenamiento USB podrían no funcionar de manera adecuada o no funcionar en absoluto.
- Use solo aquellos dispositivos USB formateados con el sistema de archivos FAT32 o NTFS proporcionado por Windows.
- Para discos duros externos USB, use voltajes nominales inferiores a 5 Vcc y corriente nominal de 500 mA
- Se recomienda usar una tarjeta de memoria USB con capacidad no superior a 32 GB y un disco duro USB con capacidad no superior a 2 TB
- Si un disco duro USB que usa la función de ahorro de energía no funciona adecuadamente, apague y luego vuelva a encender. Para obtener más información, consulte el manual del usuario del disco duro HDD.
- Los datos del dispositivo de almacenamiento USB pueden sufrir daños, por lo que se recomienda respaldar la información importante en otros dispositivos. El mantenimiento de los datos es una responsabilidad del usuario. El fabricante no se hace responsable por la pérdida de datos.

Archivo de Mis medios compatible

- Velocidad máxima de transferencia: 20 Mb/s (Megabits por segundo)
 - Formatos externos de subtítulos compatibles: *.srt (SubRip), *.smi (SAMI), *.sub (SubViewer, MicroDVD, DVDsubtitleSystem, Subldx(Vobsub)), *.ass/*.ssa (SubStation Alpha), *.txt (TMPlayer), *.psb (PowerDivX)
 - Formatos internos de subtítulos compatibles: *.dat/*.mpg/*.mpeg/*.vob (DVD Subtitle), *.ts/*.tp/*.m2ts (DVB Subtitle), *.mp4 (DVD Subtitle, UTF-8 Plain Text), *.mkv (ASS, SSA, UTF-8 Plain Text, Universal Subtitle Format, VobSub, DVD Subtitle), *.divx/*.avi(XSUB¹, XSUB+)
- XSUB¹** Soporta subtítulos internos generados de DivX6



Archivo de foto disponible

- Categoría: 2D (jpeg, jpg, jpe)
[Tipo de archivo disponible]
SOF0: Secuencial base,
SOF1: Secuencial extendido,
SOF2: Progresivo
[Tamaño de foto] Mínimo: 64 x 64,
Máximo: Normal: 15 360 (ancho) x 8 640 (altura),
Progresivo: 1 920 (ancho) x 1 440 (altura)
- Categoría: BMP
[Tamaño de foto] Mínimo: 64 x 64, Máximo: 9 600 x 6 400
- Categoría: PNG
[Tipo de archivo disponible] entrelazado, no entrelazado
[Tamaño de foto] Mínimo: 64 x 64, Máximo: Interlace: 1 200 x 800 no entrelazado: 9 600 x 6 400
- Los formatos de archivo BMP y PNG pueden mostrarse más lentamente que JPEG.

Archivo de audio disponible

- Tipo de archivo: mp3
[Velocidad de bits] 32 Kb/s - 320 Kb/s
[Frecuencia de muestreo] 16 kHz - 48 kHz
[Compatibilidad] MPEG-1, MPEG-2, capa2, capa3
- Tipo de archivo: AAC
[Velocidad de bits] Formato libre
[Frecuencia de muestreo] 8 kHz - 48 kHz
[Compatibilidad] ADIF, ADTS
- Tipo de archivo: M4A
[Velocidad de bits] Formato libre
[Frecuencia de muestreo] 8 kHz - 48 kHz
[Compatibilidad] MPEG-4
- Tipo de archivo: WMA
[Velocidad de bits] 128 Kb/s - 320 Kb/s
[Frecuencia de muestreo] 8 kHz - 48 kHz
[Compatibilidad] WMA7, WMA8, WMA9 estándar
- Tipo de archivo: WMA 10 Pro
[Velocidad de bits] ~ 768 Kb/s
[Canal / Frecuencia de muestreo]
M0: Hasta 2 Canales @ 48 kHz (Excepto el modo LBR),
M1: Hasta 5,1 Canal @ 48 kHz
M2: Hasta 5,1 Canal @ 96 kHz
[Compatibilidad] WMA 10 Pro
- Tipo de archivo: OGG
[Velocidad de bits] Formato libre
[Frecuencia de muestreo] 48 kHz
[Compatibilidad] OGG Vorbis

Archivo de video disponible

- Máximo: 1 920 x 1 080 @ 30 progresivo (solo Motion JPEG 640 x 480 @ 30 progresivo)
- .asf, .wmv
[Video] MPEG-2, MPEG-4 Parte2, DivX3.11, DivX4, DivX5, DivX6, XVID, H.264/AVC, VC1 (WMV3, WVC1), MP43
[Audio] WMA Estándar, WMA9(Pro), MP3, AAC, AC3, MP3, 3D WMV Single Stream
- .divx, .avi
[Video] MPEG-2, MPEG-4 Parte2, DivX3.11, DivX4, DivX5, DivX6, XVID, H.264/AVC
[Audio] HE-AAC, LPCM, ADPCM, MPEG-1 capa I, MPEG-1 capa II, Dolby Digital, MPEG-1 capa III (MP3)
- .ts, .trp, .tp, .mts, .m2ts
[Video] H.264/AVC, MPEG-2, AVS, VC1
[Audio] MPEG-1 capa I, MPEG-1 capa II, MPEG-1 capa III (MP3), Dolby Digital, Dolby Digital Plus, AAC, HE-AAC
- .vob
[Video] MPEG-1, MPEG-2
[Audio] Dolby Digital, MPEG-1 Capa I, MPEG-1 Capa II, DVD-LPCM
- .mp4, .m4v, .mov
[Video] MPEG-2, MPEG-4 Parte2, DivX3.11, DivX4, DivX5, DivX6, XVID, H.264/AVC
[Audio] AAC, MPEG-1 Capa III (MP3)
- .mkv
[Video] MPEG-2, MPEG-4 Parte2, DivX3.11, DivX4, DivX5, DivX6, XVID, H.264/AVC
[Audio] HE-AAC, Dolby Digital, MPEG-1 Capa III (MP3), LPCM
- motion JPEG
[Video] MJPEG
[Audio] LPCM, ADPCM
- .mpg, .mpeg, .mpe
[Video] MPEG-1, MPEG-2
[Audio] MPEG-1 Capa I, MPEG-1 Capa II, Dolby Digital, LPCM
- .dat
[Video] MPEG-1, MPEG-2
[Audio] MP2
- .flv
[Video] Sorenson H.263, H.264/AVC
[Audio] MP3, AAC, HE-AAC
- 3gp, .3gp2
[Video] H.264/AVC, MPEG-4 Parte2
[Audio] AAC, AMR(NB/WB)

Para consultar el manual en internet

El manual en Internet le permite acceder fácilmente a información detallada sobre el TV.

Visite <http://www.lg.com>.

Especificaciones

Las especificaciones del producto pueden cambiar sin previo aviso debido a las actualizaciones de las funciones de los productos.

Sistema de televisión

NTSC, PAL-M/N, SBTVD

Cobertura de programas

VHF 2-13, UHF 14-69, CATV 1-135

Impedancia de antena externa

75 Ω

Condición de ambiente

- **Temperatura de funcionamiento**
0 °C a 40 °C
- **Humedad de funcionamiento**
Menos de 80 %
- **Temperatura de almacenamiento**
-20 °C a 60 °C
- **Humedad de almacenamiento**
Menos de 85 %

Modo HDMI (PC) admitido

(Utilice el puerto HDMI IN 1 para el modo PC)

Resolución	Frecuencia horizontal (kHz)	Frecuencia vertical (Hz)
640 x 350	31,46	70,09
720 x 400	31,46	70,08
640 x 480	31,46	59,94
800 x 600	37,87	60,31
1 024 x 768	48,36	60,00
1 152 x 864	54,34	60,05
1 360 x 768	47,71	60,01
1 280 x 1 024	63,98	60,02
1 920 x 1 080	67,50	60,00

↳ Excepto 32LF550B, 32LF565B

Modo HDMI (DTV) admitido

Resolución	Frecuencia horizontal (kHz)	Frecuencia vertical (Hz)
640 x 480 progresivo	31,46	59,94
	31,50	60,00
720 x 480 progresivo	31,47	59,94
	31,50	60,00
1 280 x 720 progresivo	37,50	50,00
	44,96	59,94
	45,00	60,00
1 920 x 1 080 entrelazado	28,12	50,00
	33,72	59,94
	33,75	60,00
1 920 x 1 080 progresivo	26,97	23,97
	27,00	24,00
	33,71	29,97
	33,75	30,00
	56,25	50,00
	67,43	59,94
	67,50	60,00

Información de conexión de puerto componente

Puertos componente del televisor	Y	P _B	P _R
----------------------------------	---	----------------	----------------

Puertos de salida de video del reproductor de DVD	Y	P _B	P _R
	Y	B-Y	R-Y
	Y	Cb	Cr
	Y	Pb	Pr

Modo de componente admitido

Resolución	Frecuencia horizontal (kHz)	Frecuencia vertical (Hz)
720 x 480 entrelazado	15,73	59,94
	15,73	60
720 x 480 progresivo	31,47	59,94
	31,50	60
1 280 x 720 progresivo	44,96	59,94
	45,00	60,00
1 920 x 1 080 entrelazado	28,12	50,00
	33,72	59,94
	33,75	60,00
1 920 x 1 080 progresivo	26,97	23,976
	27,00	24,000
	33,71	29,97
	33,75	30,000
	56,25	50,00
	67,43	59,939
	67,50	60,00

Software de código abierto

Para obtener el código fuente bajo GPL, LGPL, MPL y otras licencias de código abierto que contiene este producto, visite <http://opensource.lge.com>. Además del código fuente, se pueden descargar los términos de la licencia, las anulaciones de la garantía y los avisos de derechos de autor.

LG Electronics también le proporcionará el código fuente abierto en un CD-ROM con un cargo que cubra el costo de realizar tal distribución (como el costo de los medios, el envío y el manejo) con una previa solicitud por correo electrónico a opensource@lge.com. Esta oferta es válida durante tres (3) años a partir de la fecha de adquisición del producto.

Solución de problemas

- No se puede controlar el televisor con el control remoto.
 - Compruebe si puso cualquier cosa sobre el receptor, como por ejemplo cinta adhesiva.
 - Compruebe que no haya ningún obstáculo entre el producto y el control remoto.
 - Sustituya las pilas por unas nuevas.
- No se muestra ninguna imagen ni se emite sonido.
 - Compruebe si el producto está encendido.
 - Compruebe si el cable de alimentación está conectado a la toma de la pared.
 - Conecte otros productos para comprobar si hay un problema con la toma de la pared.
- El televisor se apaga de repente.
 - Compruebe la configuración del control de energía. Es posible que el suministro eléctrico se interrumpa.
 - Compruebe si la función de **Hora de Apagado / Temporizador** está activada en la configuración de **HORA**.
 - Si no hay señal mientras el televisor está encendido, este se apagará automáticamente después de 15 minutos de inactividad.

Configuración de control del dispositivo externo

Para obtener la información del control de dispositivo externo de configuración, por favor visite www.lg.com.

Licencias

Las licencias admitidas pueden variar según el modelo. Para obtener más información sobre las licencias, visite www.lg.com.



Fabricado con la autorización de Dolby Laboratories.
Dolby y el símbolo de doble D son marcas comerciales de Dolby Laboratories.



Los términos HDMI y HDMI High-Definition Multimedia Interface (Interfaz multimedia de alta definición), y el logo de HDMI son marcas o marcas registradas de "HDMI Licensing LLC" en los Estados Unidos de América y en otros países.



Este dispositivo con certificación DivX Certified® ha pasado por un riguroso proceso de pruebas para asegurarse que puede reproducir videos DivX®. Para reproducir películas DivX que compró, primero registre su dispositivo en vod.divx.com. Encuentre el código de registro en la sección DivX VOD del menú de configuración de su dispositivo. Certificación DivX Certified® para reproducir videos DivX® hasta HD 1080p, incluido el contenido premium. DivX®, DivX Certified® y los logotipos asociados son marcas registradas de DivX, LLC y se usan con licencia.

Cubierto por una o varias de las siguientes patentes de los Estados Unidos: 7.295.673; 7.460.668; 7.515.710; 7.519.274.







Los números de modelo y de serie del televisor se encuentran ubicados en la parte posterior del aparato. Regístrelos en el siguiente espacio por si alguna vez necesita recurrir al servicio técnico.

MODELO _____

SERIE _____