



# OWNER'S MANUAL

## LED TV\*

\* LG LED TVs are LCD TVs with LED backlighting.

Please read this manual carefully before operating your TV and retain it for future reference.

32LY750H	32LY760H
39LY750H	39LY760H
42LY750H	42LY760H
47LY750H	47LY760H
55LY750H	55LY760H



\* M F L 6 8 0 8 0 3 1 2 \*


[www.lgsolutions.com](http://www.lgsolutions.com)

P/NO : MFL68080312 (1409-REV05)


# IMPORTANT SAFETY INSTRUCTIONS

Always comply with the following precautions to avoid dangerous situations and ensure peak performance of your product.

ENGLISH



**WARNING/CAUTION**  
RISK OF ELECTRIC SHOCK  
DO NOT OPEN



TO REDUCE THE RISK OF ELECTRIC SHOCK DO NOT REMOVE COVER (OR BACK). NO USER SERVICEABLE PARTS INSIDE. REFER TO QUALIFIED SERVICE PERSONNEL.

**⚡** The lightning flash with arrowhead symbol, within an equilateral triangle, is intended to alert the user to the presence of uninsulated dangerous voltage within the product's enclosure that may be of sufficient magnitude to constitute a risk of electric shock to persons.

**!** The exclamation point within an equilateral triangle is intended to alert the user to the presence of important operating and maintenance (servicing) instructions in the literature accompanying the appliance.

**WARNING/CAUTION**  
- TO REDUCE THE RISK OF FIRE AND ELECTRIC SHOCK, DO NOT EXPOSE THIS PRODUCT TO RAIN OR MOISTURE.

**!** **WARNING**  
If you ignore the warning message, you may be seriously injured or there is a possibility of accident or death.

**!** **CAUTION**  
If you ignore the caution message, you may be slightly injured or the product may be damaged.

**!** **NOTE**  
The note helps you understand and use the product safely. Please read the note carefully before using the product.

Read these instructions.  
Keep these instructions.  
Heed all warnings.  
Follow all instructions.



- Do not allow the television to become wet.



- Clean only with a dry cloth.



- Do not block any ventilation openings. Install in accordance with the manufacturer's instructions.



- Do not install near any heat sources such as radiators, heat registers, stoves, or other apparatus (including amplifiers) that produce heat.



- Do not defeat the safety purpose of the polarized or grounding-type plug. A polarized plug has two blades with one wider than the other. A grounding type plug has two blades and a third grounding prong. The wide blade or the third prong are provided for your safety. If the provided plug does not fit into your outlet, consult an electrician for replacement of the obsolete outlet (Can differ by country).



- Do not press strongly upon the panel with a hand or a sharp object such as a nail, pencil or pen, or make a scratch on it.



**WARNING:** This product contains chemicals known to the State of California to cause cancer and birth defects or other reproductive harm. *Wash hands after handling.*

- Protect the power cord from being walked on or pinched particularly at plugs, convenience receptacles, and the point where they exit from the apparatus.



- Only use attachments/accessories specified by the manufacturer.



- Use only with a cart, stand, tripod, bracket, or table specified by the manufacturer, or sold with the apparatus. When a cart is used, use caution when moving the cart/apparatus combination to avoid injury from tip-over.



- Unplug this apparatus during lightning storms or when unused for long periods of time.



- Refer all servicing to qualified service personnel. Servicing is required when the apparatus has been damaged in any way, such as power-supply cord or plug is damaged, liquid has been spilled or objects have fallen into the apparatus, the apparatus has been exposed to rain or moisture, does not operate normally, or has been dropped.



- Do not stick metal objects or any other conductive material into the power cord. Do not touch the end of the power cord while it is plugged in.
- Keep the packing anti-moisture material or vinyl packing out of the reach of children. Anti-moisture material is harmful if swallowed. If swallowed by mistake, induce vomiting and go to the nearest hospital. Additionally, vinyl packing can cause suffocation. Keep it out of the reach of children.

- **CAUTION** concerning the Power Cord (Can differ by country):  
Check the specification page of this owner's manual to be certain. Do not connect too many appliances to the same AC power outlet as this could result in fire or electric shock. Do not overload wall outlets. Overloaded wall outlets, loose or damaged wall outlets, extension cords, frayed power cords, or damaged or cracked wire insulation are dangerous. Any of these conditions could result in electric shock or fire. Periodically examine the cord of your appliance, and if its appearance indicates damage or deterioration, unplug it, discontinue use of the appliance, and have the cord replaced with an exact replacement part by an authorized service. Protect the power cord from physical or mechanical abuse, such as being twisted, kinked, pinched, closed in a door, or walked upon. Pay particular attention to plugs, wall outlets, and the point where the cord exits the appliance. Do not move the TV with the power cord plugged in. Do not use a damaged or loose power cord. Be sure do grasp the plug when unplugging the power cord. Do not pull on the power cord to unplug the TV.



- **Warning** - To reduce the risk of fire or electrical shock, do not expose this product to rain, moisture or other liquids. Do not touch the TV with wet hands. Do not install this product near flammable objects such as gasoline or candles, or expose the TV to direct air conditioning.

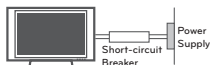


- Do not expose to dripping or splashing and do not place objects filled with liquids, such as vases, cups, etc. on or over the apparatus (e.g. on shelves above the unit).



### • Grounding

(Except for devices which are not grounded.) Ensure that you connect the earth ground wire to prevent possible electric shock (i.e. a TV with a three-prong grounded AC plug must be connected to a three-prong grounded AC outlet). If grounding methods are not possible, have a qualified electrician install a separate circuit breaker. Do not try to ground the unit by connecting it to telephone wires, lightning rods, or gas pipes.



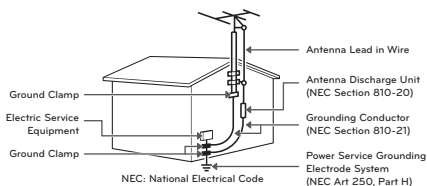
- As long as this unit is connected to the AC wall outlet, it is not disconnected from the AC power source even if the unit is turned off.
- Do not attempt to modify this product in any way without written authorization from LG Electronics. Unauthorized modification could void the user's authority to operate this product.

### • Outdoor Antenna Grounding

(Can differ by country):

If an outdoor antenna is installed, follow the precautions below. An outdoor antenna system should not be located in the vicinity of overhead power lines or other electric light or power circuits, or where it can come in contact with such power lines or circuits as death or serious injury can occur. Be sure the antenna system is grounded so as to provide some protection against voltage surges and built-up static charges. Section 810 of the National Electrical Code (NEC) in the U.S.A. provides information with respect to proper grounding of the mast and supporting structure, grounding of the lead-in wire to an antenna discharge unit, size of grounding conductors, location of antenna discharge unit, connection to grounding electrodes and requirements for the grounding electrode.

### Antenna grounding according to the National Electrical Code, ANSI/NFPA 70



### • Cleaning

When cleaning, unplug the power cord and wipe gently with a soft cloth to prevent scratching. Do not spray water or other liquids directly on the TV as electric shock may occur. Do not clean with chemicals such as alcohol, thinners, or benzene.

### • Moving

Make sure the product is turned off, unplugged, and all cables have been removed. It may take 2 or more people to carry larger TVs. Do not press or put stress on the front panel of the TV.

### • Ventilation

Install your TV where there is proper ventilation. Do not install in a confined space such as a bookcase. Do not cover the product with cloth or other materials while plugged. Do not install in excessively dusty places.

- If you smell smoke or other odors coming from the TV, unplug the power cord and contact an authorized service center.
- Keep the product away from direct sunlight.
- Never touch this apparatus or antenna during a lightning storm.
- When mounting a TV on the wall, make sure not to install the TV by hanging the power and signal cables on the back of the TV.
- Do not allow an impact shock, any objects to fall into the product, and do not drop anything onto the screen.

### • DISCONNECTING THE DEVICE FROM THE MAIN POWER

The Power Plug is the disconnecting device. In case of an emergency, the Power Plug must remain readily accessible.

### • Batteries

Store the accessories (battery, etc.) in a safe location out of the reach of children.

- This apparatus uses batteries. In your community there might be regulations that require you to dispose of these batteries properly due to environmental considerations. Please contact your local authorities for disposal or recycling information.
- Do not dispose of batteries in a fire.
- Do not short circuit, disassemble, or allow the batteries to overheat.
- Do not use high voltage electrical equipment near the TV, (e.g. bug zapper). This may result in product malfunction.



- **Dot Defect**

The panel is a high technology product with resolution of two million to six million pixels. In a very few cases, you could see fine dots on the screen while you're viewing the TV. Those dots are deactivated pixels and do not affect the performance and reliability of the TV.

- **Generated Sound**

**Cracking noise** A cracking noise that occurs when watching or turning off the TV is generated by plastic thermal contraction due to temperature and humidity.

This noise is common for products where thermal deformation is required.

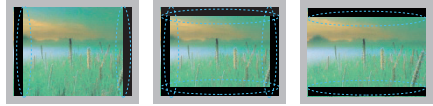
**Electrical circuit humming/panel buzzing** A

low level noise is generated from a high-speed switching circuit, which supplies a large amount of current to operate a product. It varies depending upon the product.

This generated sound does not affect the performance and reliability of the product.

- Do not install this product on a wall if it could be exposed to oil or oil mist. This may damage the product and cause it to fall.
- Take care not to touch the ventilation openings. When watching the TV for a long period, the ventilation openings may become hot. This does not affect the performance of the product or cause defects in the product.
- If the TV feels cold to the touch, there may be a small flicker when it is turned on. This is normal; there is nothing wrong with TV. Some minute dot defects may be visible on the screen, appearing as tiny red, green, or blue spots. However, they have no adverse effect on the TV's performance. Avoid touching the LCD screen or holding your finger(s) against it for long periods of time. Doing so may produce some temporary distortion effects on the screen.

### Preventing image burn or burn-in on your TV screen



- If a fixed image displays on the TV screen for a long period of time, it will be imprinted and become a permanent disfigurement on the screen. This is image burn or burn-in and not covered by the warranty.
- If the aspect ratio of the TV is set to 4:3 for a long period of time, image burn may occur on the letterboxed area of the screen.
- Avoid displaying a fixed image on the TV screen for a long period of time to prevent image burn.

**FCC NOTICE**

This equipment has been tested and found to comply with the limits for a Class B digital device, pursuant to Part 15 of the FCC Rules. These limits are designed to provide reasonable protection against harmful interference in a residential installation. This equipment generates, uses and can radiate radio frequency energy and, if not installed and used in accordance with the instructions, may cause harmful interference to radio communications. However, there is no guarantee that interference will not occur in a particular installation. If this equipment does cause harmful interference to radio or television reception, which can be determined by turning the equipment off and on, the user is encouraged to try to correct the interference by one or more of the following measures:

- Reorient or relocate the receiving antenna.
- Increase the separation between the equipment and the receiver.
- Connect the equipment to an outlet on a circuit different from that to which the receiver is connected.
- Consult the dealer or an experienced radio/TV technician for help.

This device complies with part 15 of the FCC Rules. Operation is subject to the following two conditions: (1) this device may not cause harmful interference and (2) this device must accept any interference received, including interference that may cause undesired operation of the device. Any changes or modifications in construction of this device which are not expressly approved by the party responsible for compliance could void the user's authority to operate the equipment.

**NOTE TO CABLE/TV INSTALLER**

This reminder is provided to call the CATV system installer's attention to Article 820-40 of the National Electric Code (U.S.A.). The code provides guidelines for proper grounding and, in particular, specifies that the cable ground shall be connected to the grounding system of the building, as close to the point of the cable entry as practical.

**LG RECYCLING POLICY**

LG Electronics offers a customized e-waste take-back and recycling service that meets local needs and requirements in the countries where e-waste regulations are in place, and also provides product and packaging take-back and recycling service voluntarily in some countries. LG Electronics evaluates products' recyclability at the design step using LG's recyclability evaluation tool, with the goal of improving recyclability where practicable. Through these activities, LG seeks to contribute to conserving natural resources and protecting the environment.

For more information about the LG Recycling Policy, please visit our global site at <http://www.lg.com/global/sustainability/environment/take-back-recycling> .

## LICENSES

Supported licenses may differ by model. For more information about licenses, visit [www.lg.com](http://www.lg.com).



Manufactured under license from Dolby Laboratories. Dolby and the double-D symbol are trademarks of Dolby Laboratories.



The terms HDMI and HDMI High-Definition Multimedia Interface, and the HDMI logo are trademarks or registered trademarks of HDMI Licensing LLC in the United States and other countries.



**ABOUT DIVX VIDEO:** DivX® is a digital video format created by DivX, LLC, a subsidiary of Rovi Corporation. This is an official DivX Certified® device that has passed rigorous testing to verify that it plays DivX video. Visit [divx.com](http://divx.com) for more information and software tools to convert your files into DivX videos.

**ABOUT DIVX VIDEO-ON-DEMAND:** This DivX Certified® device must be registered in order to play purchased DivX Video-on-Demand (VOD) movies. To obtain your registration code, locate the DivX VOD section in your device setup menu. Go to [vod.divx.com](http://vod.divx.com) for more information on how to complete your registration.

DivX Certified® to play DivX® video up to HD 1080p, including premium content.

DivX®, DivX Certified® and associated logos are trademarks of Rovi Corporation or its subsidiaries and are used under license.

Covered by one or more of the following U.S. patents:  
7,295,673; 7,460,668; 7,515,710; 7,519,274



For DTS patents, see <http://patents.dts.com>. Manufactured under license from DTS Licensing Limited. DTS, the Symbol, & DTS and the Symbol together are registered trademarks, and DTS 2.0+Digital Out is a trademark of DTS, Inc. © DTS, Inc. All Rights Reserved.

## OPEN SOURCE SOFTWARE NOTICE

To obtain the source code under GPL, LGPL, MPL and other open source licenses, that is contained in this product, please visit <http://opensource.lge.com>. In addition to the source code, all referred license terms, warranty disclaimers and copyright notices are available for download.

LG Electronics will also provide open source code to you on CD-ROM for a charge covering the cost of performing such distribution (such as the cost of media, shipping and handling) upon email request to [opensource@lge.com](mailto:opensource@lge.com). This offer is valid for three (3) years from the date on which you purchased the product.

### NOTE

- Image shown may differ from your TV.
- Your TV's OSD (On Screen Display) may differ slightly from that shown in this manual.
- The available menus and options may differ from the input source or product model that you are using.
- New features may be added to this TV in the future.

## TABLE OF CONTENTS

### 2 IMPORTANT SAFETY INSTRUCTIONS

---

### 7 LICENSES

---

### 7 OPEN SOURCE SOFTWARE NOTICE

---

### 8 TABLE OF CONTENTS

---

### 9 ASSEMBLING AND PREPARING

---

- 9 Unpacking
- 10 Optional Extras
- 11 Parts and Buttons
  - 12 - Using the Joystick Button
- 13 Lifting and Moving the TV
- 13 Setting Up the TV
  - 13 - Attaching the Stand
  - 16 - Mounting on a Table
  - 18 - Mounting on a Wall
  - 19 - Tidying Cables

### 20 MAKING CONNECTIONS

---

- 20 Connecting to an Antenna or Cable
- 21 Other Connections

### 25 REMOTE CONTROL

---

### 27 MAINTENANCE

---

- 27 Cleaning your TV
  - 27 - Screen, Frame, Cabinet, and Stand
  - 27 - Power Cord

### 27 TROUBLESHOOTING

---

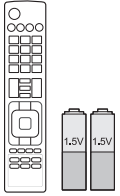
### 28 SPECIFICATIONS

---

# ASSEMBLING AND PREPARING

## Unpacking

Check your product box for the following items. If there are any missing accessories, contact the local dealer where you purchased your product. The illustrations in this manual may differ from the actual product and item.



**Remote Control,  
Batteries (AAA)**

(For 32/39LY750H,  
32/39LY760H)



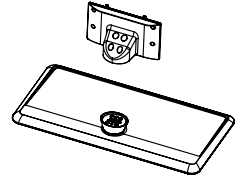
**Owner's Manual**

(For 42/47/55LY750H,  
42/47/55LY760H)



**Power Cord**

(For 42LY750H,  
42LY760H)

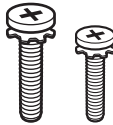


**Stand Base,  
Stand Body**

(For 47/55LY750H,  
47/55LY760H)



**Stand Screws**  
6 EA, M4 x L20



**Stand Screws**  
4 EA, M4 x L20  
4 EA, M4 x L14



**Wall Mount Spacers**  
6 EA

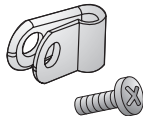


**Wall Mount Spacers**  
4 EA

(For  
39/42/47/55LY750H,  
39/42/47/55LY760H)



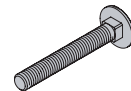
**Cable Holder**  
1 EA



**Power Cord Holder  
and Screw**  
1 EA



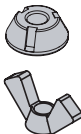
**Torx Plus  
Star-Head Screw**  
2 EA



**Screws for Stand Fixing**  
2 EA



**Washers for Stand  
Fixing**  
2 EA



**Nuts for Stand Fixing**  
2 EA



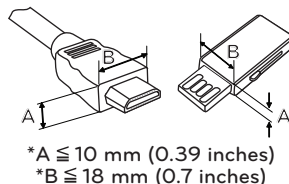
**Rubber**  
2 EA

**! CAUTION**

- Do not use any unapproved items to ensure the safety and product's lifespan.
- Any damages or injuries by using unapproved items are not covered by the warranty.
- Some models appear to have a thin film on the screen. It is actually part of the screen; do not remove it.

**! NOTE**

- The items supplied with your product may vary depending upon the model.
- Product specifications or contents of this manual may be changed without prior notice due to upgrade of product functions.
- For an optimal connection, HDMI cables and USB devices should have bezels less than 10 mm (0.39 inches) thick and 18 mm (0.7 inches) width.
- Use an extension cable that supports USB 2.0 if the USB cable or USB flash drive does not fit into your TV's USB port.
- Use a certified cable with the HDMI logo attached. If you do not use a certified HDMI cable, the screen may not display or a connection error may occur.
- Recommended HDMI cable types
  - High-Speed HDMI<sup>®</sup>/TM cable
  - High-Speed HDMI<sup>®</sup>/TM cable with Ethernet



## Optional Extras

Optional extras can be changed or modified for quality improvement without any notification.

Contact your dealer to buy these items.

These devices only work with certain models.

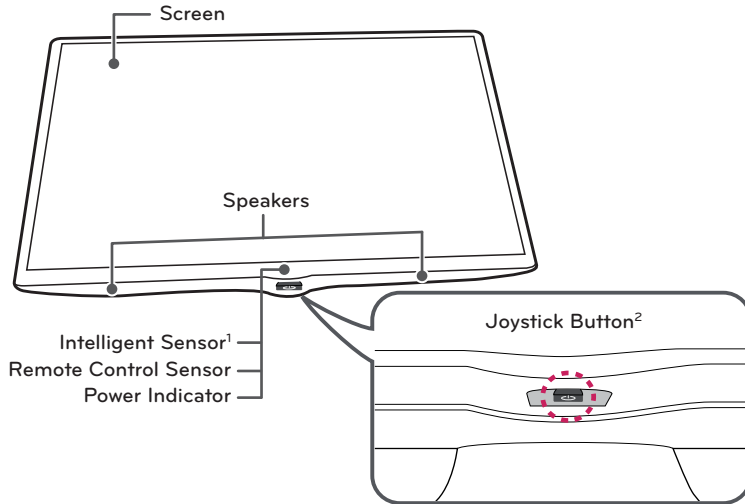
The model name or design may be changed manufacturer's circumstances or policies.

**AN-MR300** (For LY750H series)

**AN-MR500** (For LY760H series)

Magic Remote

## Parts and Buttons



1. Intelligent Sensor - Adjusts the image quality and brightness based on the surrounding environment.
2. Joystick Button is located below the screen of TV.


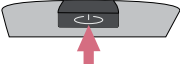

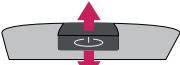
### ! NOTE

- You can set the power indicator light to on or off by selecting **OPTION** or **General** in the main menus. (Depending upon model)

## Using the Joystick Button

You can simply operate the TV functions, pressing or moving the joystick button up, down, left or right.

### Basic functions

	<b>Power On</b>	When the TV is turned off, place your finger on the joystick button and press it once and release it.
	<b>Power Off</b>	When the TV is turned on, place your finger on the joystick button and press it once for a few seconds and release it.
	<b>Volume Control</b>	If you place your finger over the joystick button and move it left or right, you can adjust the volume level you want.
	<b>Channels Control</b>	If you place your finger over the joystick button and move it up or down, you can scrolls through the saved channels you want.

### ! NOTE

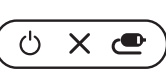



- With your finger over the joystick button, move it up, down, left, or right, be careful not to press the joystick button. If you press the joystick button first, you may not be able to adjust the volume level and/or scroll through saved channels.

### Adjusting the menu

(For LY760H series)

When the TV is turned on, press the joystick button one time.

You can adjust the Menu items (⏻, ⏻, ✕) moving the joystick button left or right.

		<b>TV Off</b>	Turn the power off.
		<b>Close</b>	Clears on-screen displays and returns to TV viewing.
		<b>Input List</b>	Changes the input source.



## Lifting and Moving the TV

When moving or lifting the TV, read the following to prevent the TV from being scratched or damaged and for safe transportation regardless of its type and size.

### ⚠ CAUTION

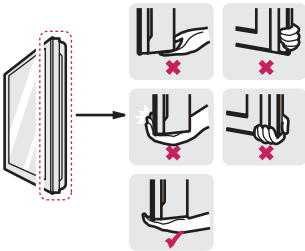
- Avoid touching or applying pressure to the screen at all times, as this may result in damage to the screen.
- Do not place the product on the floor with its front facing down without padding. Failure to do so may result in damage to the screen.

- It is recommended to move the TV in the box or packing material that the TV originally came in.
- Before moving or lifting the TV, disconnect the power cord and all cables.

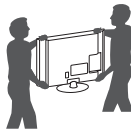
- When holding the TV, the screen should face away from you to avoid damage.



- Hold the top and bottom of the TV frame firmly. Make sure not to hold the transparent part, speaker, or speaker grill area.



- Use at least two people to move a large TV.
- When transporting the TV by hand, hold the TV as shown in the following illustration.
- When transporting the TV, do not expose the TV to jolts or excessive vibration.
- When transporting the TV, keep the TV upright; never turn the TV on its side or tilt towards the left or right.



## Setting Up the TV

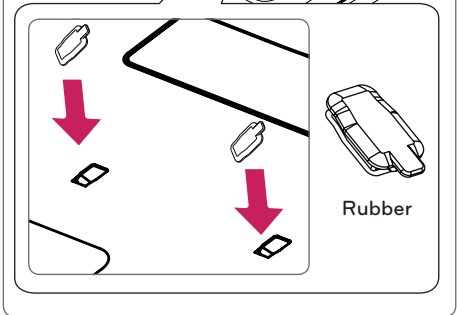
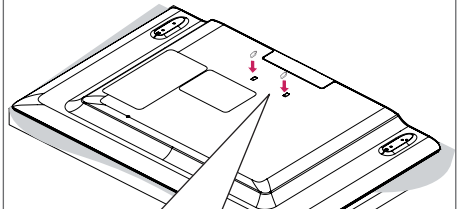
### Attaching the Stand

#### ⚠ CAUTION

- When attaching the stand to the TV set, place the screen facing down on a cushioned table or flat surface to protect the screen from scratches.

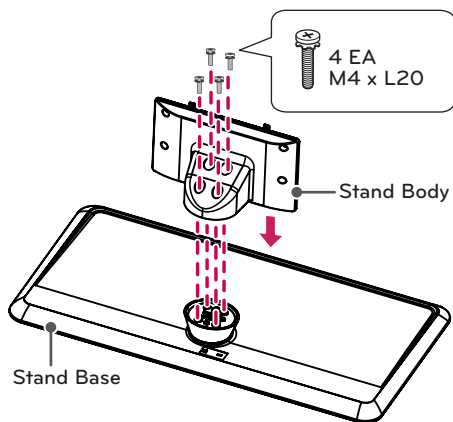
#### ! NOTE

- Make sure to hold the stand when attaching it to the TV to prevent the stand or TV from falling.
- Remove the stand before installing the TV on a wall mount by performing the stand attachment in reverse.
- The cover will protect the opening from accumulating dust and dirt. When installing the wall mounting bracket, use the cover.

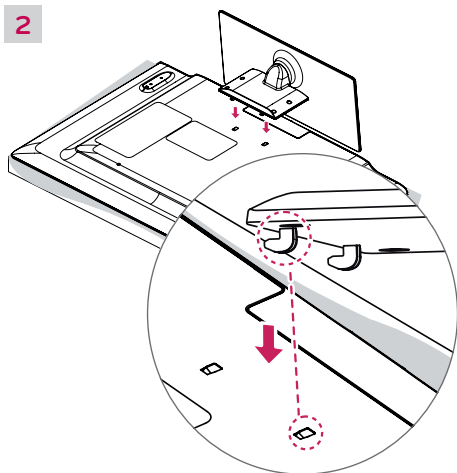


(For 42/47/55LY750H, 42/47/55LY760H)

1



2



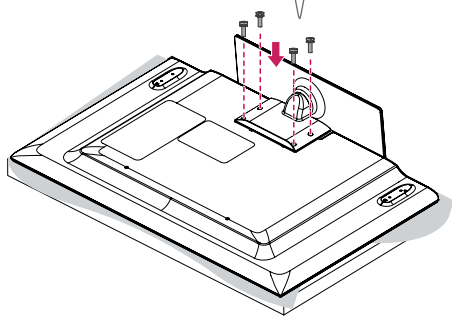
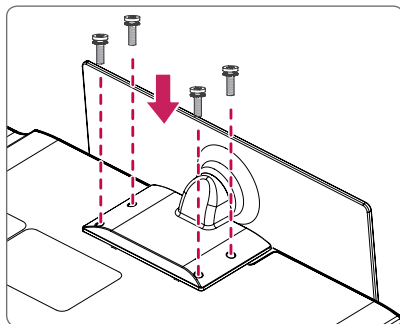
3



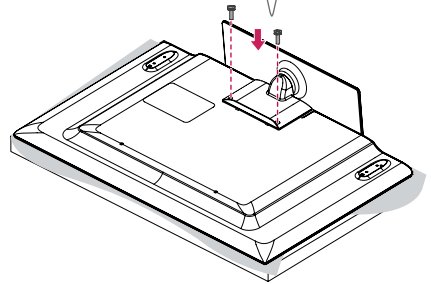
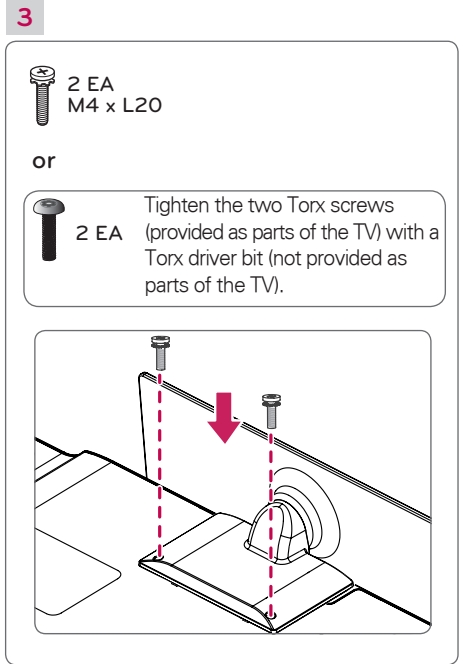
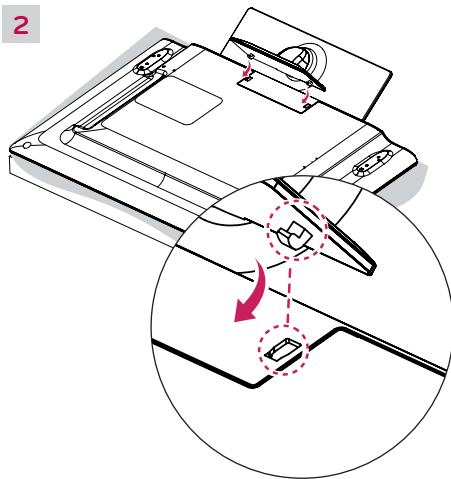
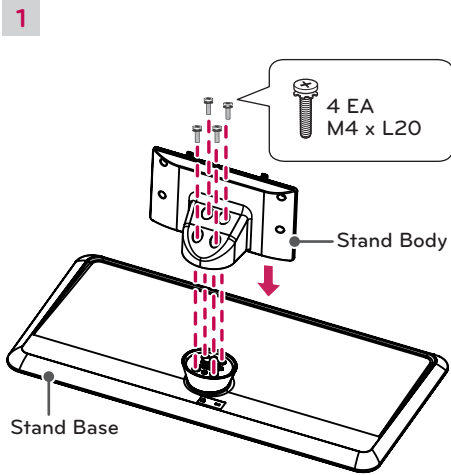
or



Tighten the two of these four screws and the two Torx screws (provided as parts of the TV) to secure the TV. Tighten the two Torx screws with a Torx driver bit (not provided as parts of the TV).



(For 32/39LY750H, 32/39LY760H)

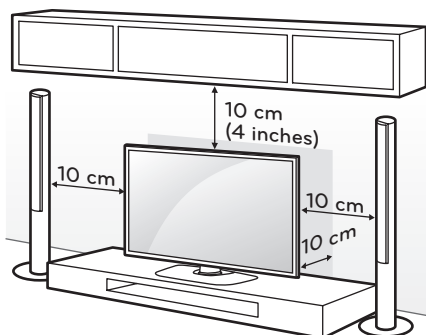


**! NOTE**

- When you install the screws, make certain they are in the correct locations for the model you have.

## Mounting on a Table

- Lift and tilt the TV into its upright position on a table.
  - Leave a 10 cm (4 inches) (minimum) space from the wall for proper ventilation.



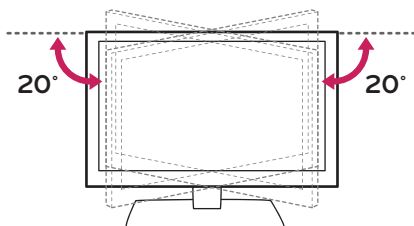
- Connect the power cord to a wall outlet.

### CAUTION

- Do not place the TV near or on sources of heat, as this may result in fire or other damage.

## Adjusting the angle of the TV to suit view

Swivel 20 degrees to the left or right and adjust the angle of the TV to suit your view.



### CAUTION

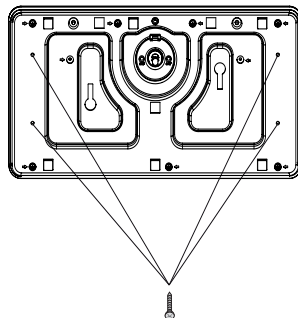
- When adjusting the angle of the TV, watch out for your fingers.
  - Personal injury may occur if hands or fingers are pinched. If the product is tilted too much, it may fall, causing damage or injury.

## Attaching the TV to a desk

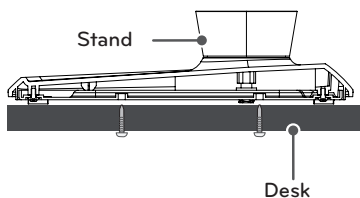
(Depending upon model)

The TV should be attached to a desk so it cannot be pulled in a forward/backward direction, potentially causing injury or damaging the product.

TYPE 1



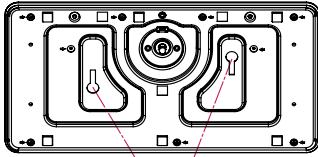
4-Screws  
(Not provided as parts of the product)



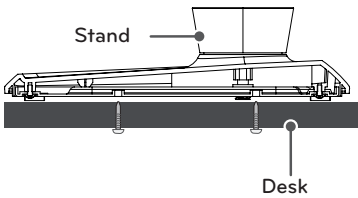
### NOTE

- Screw: M5 x L (\*L: Table depth + 8~10 mm)  
ex) Table depth: 15mm, Screw: M5 x 25

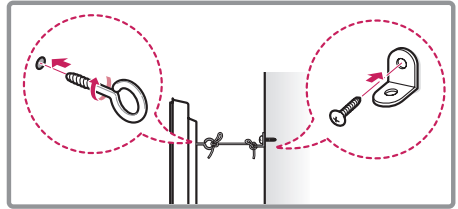
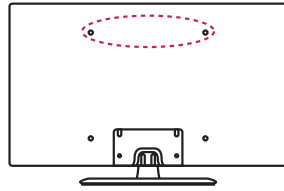
## TYPE 2



2-Screws, 2-Washers, 2-Nuts  
(provided as parts of the product)

**Securing the TV to a wall (optional)**

(Depending upon model)



- 1 Insert and tighten the eye-bolts, or TV brackets and bolts on the back of the TV.  
- If there are bolts inserted at the eye-bolts position, remove the bolts first.
- 2 Mount the wall brackets with the bolts to the wall.  
Match the location of the wall bracket and the eye-bolts on the rear of the TV.
- 3 Connect the eye-bolts and wall brackets tightly with a sturdy rope or cable.  
Make sure to keep the rope parallel to the flat surface.

**CAUTION**

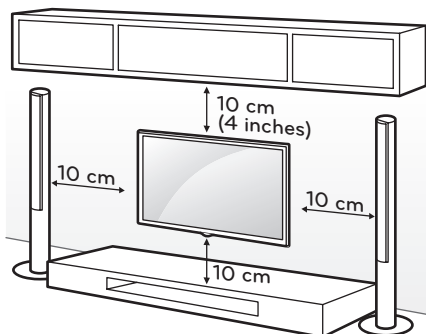
- Make sure that children do not climb on or hang on the TV.

**NOTE**

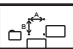
- Use a platform or cabinet that is strong and large enough to support the TV securely.
- Brackets, bolts, and ropes, are optional. You can obtain additional accessories from your local dealer.

## Mounting on a Wall

An optional wall mount can be used with your LG Television. Consult with your local dealer for a wall mount that supports the VESA standard used by your TV model. Carefully attach the wall mount bracket at the rear of the TV. Install the wall mount bracket on a solid wall perpendicular to the floor. If you are attaching the TV to other building materials, please contact qualified personnel to install the wall mount. Detailed instructions will be included with the wall mount. We recommend that you use an LG brand wall mount. When you do not use LG's wall mount bracket, please use a wall mount bracket where the device is adequately secured to the wall with enough space to allow connectivity to external devices.



Make sure to use screws and wall mounts that meet the VESA standard. Standard dimensions for the wall mount kits are described in the following table.

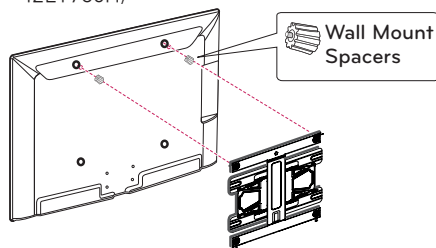
<b>Model</b>	32LY750H 32LY760H 39LY750H 39LY760H	42LY750H 42LY760H 47LY750H 47LY760H 55LY750H 55LY760H
<b>VESA (A x B)</b> 	200 x 200	400 x 400
<b>Standard screw</b>	M6	M6
<b>Number of screws</b>	4	4
<b>Wall mount bracket (optional)</b>	LSW240B MSW240	LSW440B MSW240

### ⚠ CAUTION

- Disconnect the power before moving or installing the TV. Otherwise electric shock may occur.
- If you install the TV on a ceiling or slanted wall, it may fall and result in severe injury. Use an authorized LG wall mount and contact the local dealer or qualified personnel. When using a third-party wall mount, it is not covered by the warranty.
- Do not over tighten the screws as this may cause damage to the TV and void your warranty.
- Use the screws and wall mounts that meet the VESA standard. Any damages or injuries by misuse or using an improper accessory are not covered by the warranty.

### ⓘ NOTE

- Use the screws that are listed in the VESA standard screw specifications.
- The wall mount kit includes an installation manual and necessary parts.
- The wall mount bracket is optional. You can obtain additional accessories from your local dealer.
- The length of screws may differ depending upon the wall mount. Make sure to use the proper length.
- For more information, refer to the manual supplied with the wall mount.
- When attaching a wall mounting bracket to the TV, insert the wall mount inner spacers into the TV wall mount holes to adjust the vertical angle of the TV. (For 42LY750H, 42LY760H)

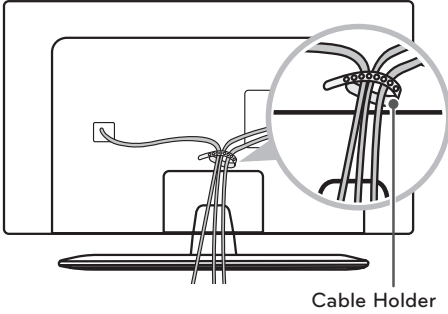


- If it is difficult to connect cables (antenna, power, etc.) to the back of the TV, use the provided Wall Mount Spacers with the TV wall mount holes. (For 42LY750H and 42LY760H, use 6 spacers. For 47/55LY750H and 47/55LY760H, use 4 spacers.)
- Please contact your dealer or mount vendor for other wall mounting options.

## Tidying Cables

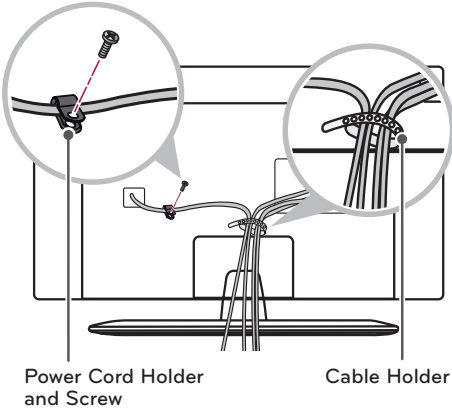
For 32LY750H, 32LY760H

- 1 Gather and bind the cables with the cable holder.



For 39/42/47/55LY750H,  
39/42/47/55LY760H

- 1 Install the power cord holder and power cord. It will help prevent the power cable from being removed by accident.
- 2 Gather and bind the cables with the cable holder.



## MAKING CONNECTIONS

- Image shown may differ from your TV.

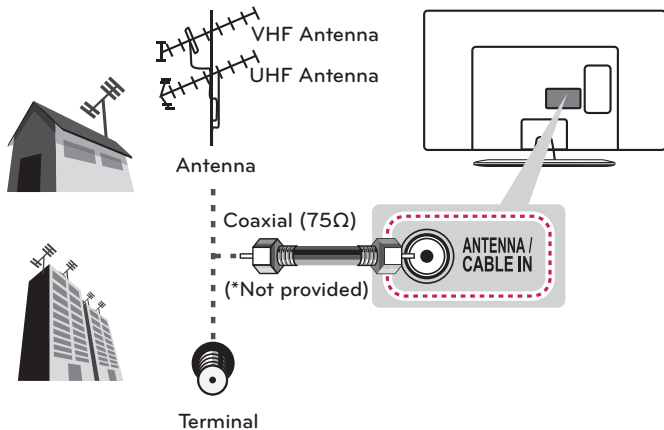
You can connect various external devices to the TV. Supported external devices are: HD receivers, DVD players, VCRs, audio systems, USB storage devices, PC, gaming devices, and other external devices. For more information on external device's connection, refer to the manual provided with each device.

### ! NOTE

- If you record a TV program on a DVD recorder or VCR, make sure to connect the TV signal input cable to the TV through a DVD recorder or VCR. For more information about recording, refer to the manual provided with the connected device.
- The external device connections shown may differ slightly from illustrations in this manual.
- Connect external devices to the TV regardless about the order of the TV port.
- If you connect a gaming device to the TV, use the cable supplied with the gaming device.
- Refer to the external equipment's manual for operating instructions.
- Using a DVI to HDMI cable may cause compatibility issues.

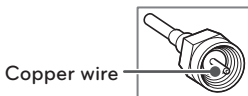
## Connecting to an Antenna or Cable

Connect an antenna, cable, or cable box to watch TV. The illustrations may differ from the actual items and an RF cable is optional.



### ! CAUTION

- Make sure not to bend the copper wire of the RF cable.



- Complete all connections between devices, and then connect the power cord to the power outlet to prevent damage to your TV.

### ! NOTE

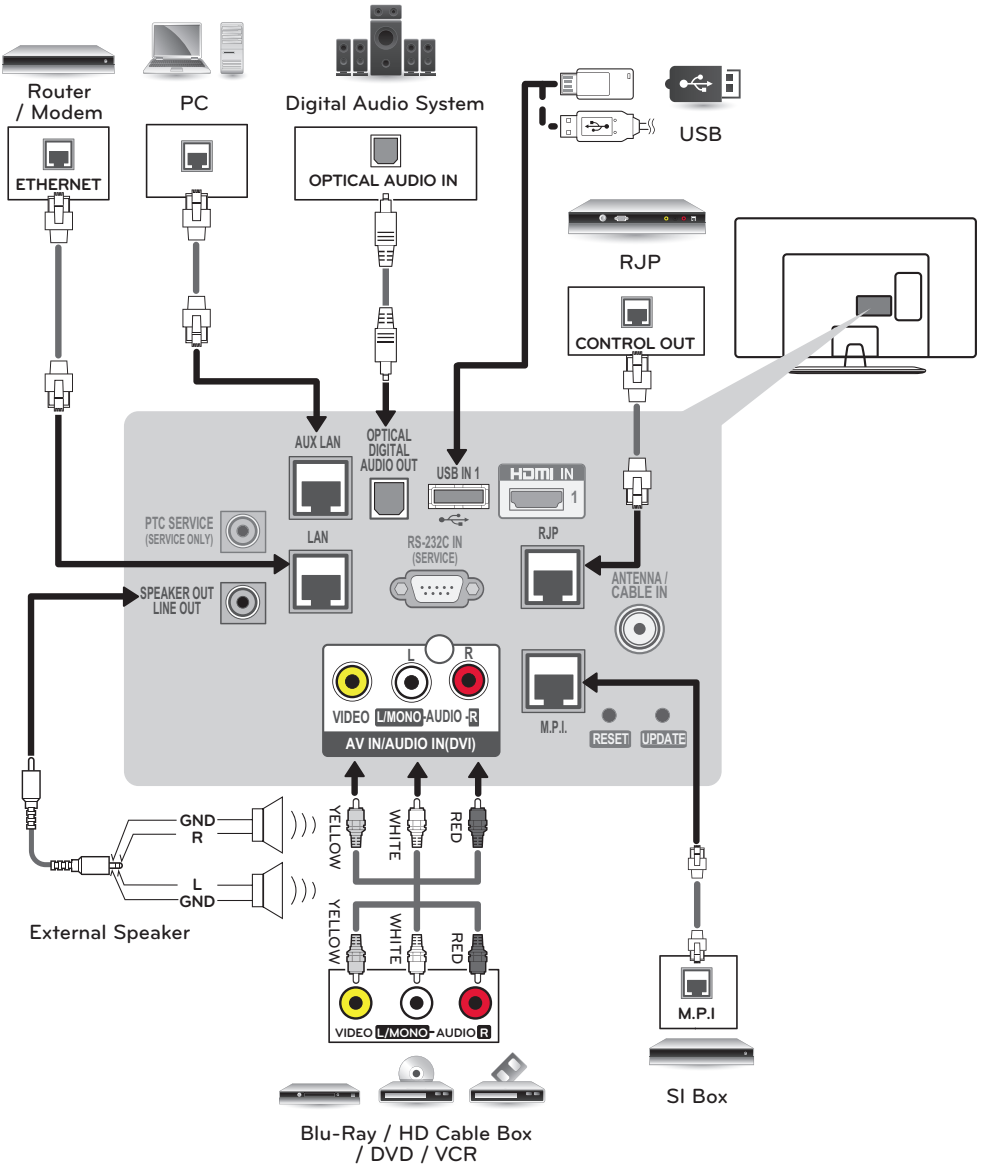
- Use a signal splitter to use 2 TVs or more.
- DTV Audio Supported Codec: MPEG, Dolby Digital



## Other Connections

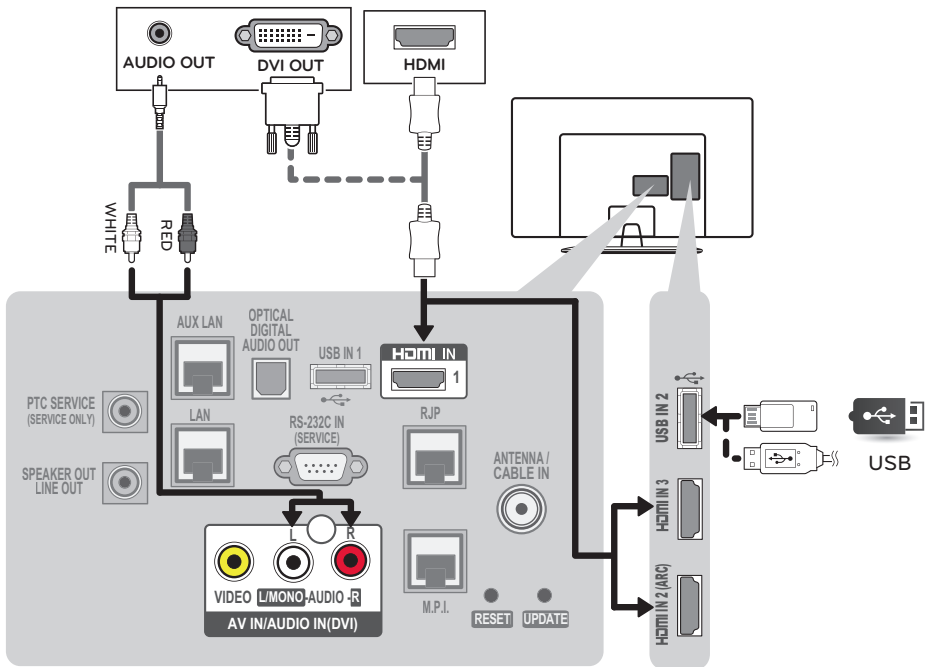
Connect your TV to external devices. For the best picture and audio quality, connect digital devices using an HDMI cable. Any separate cable is not provided.

For LY750H series

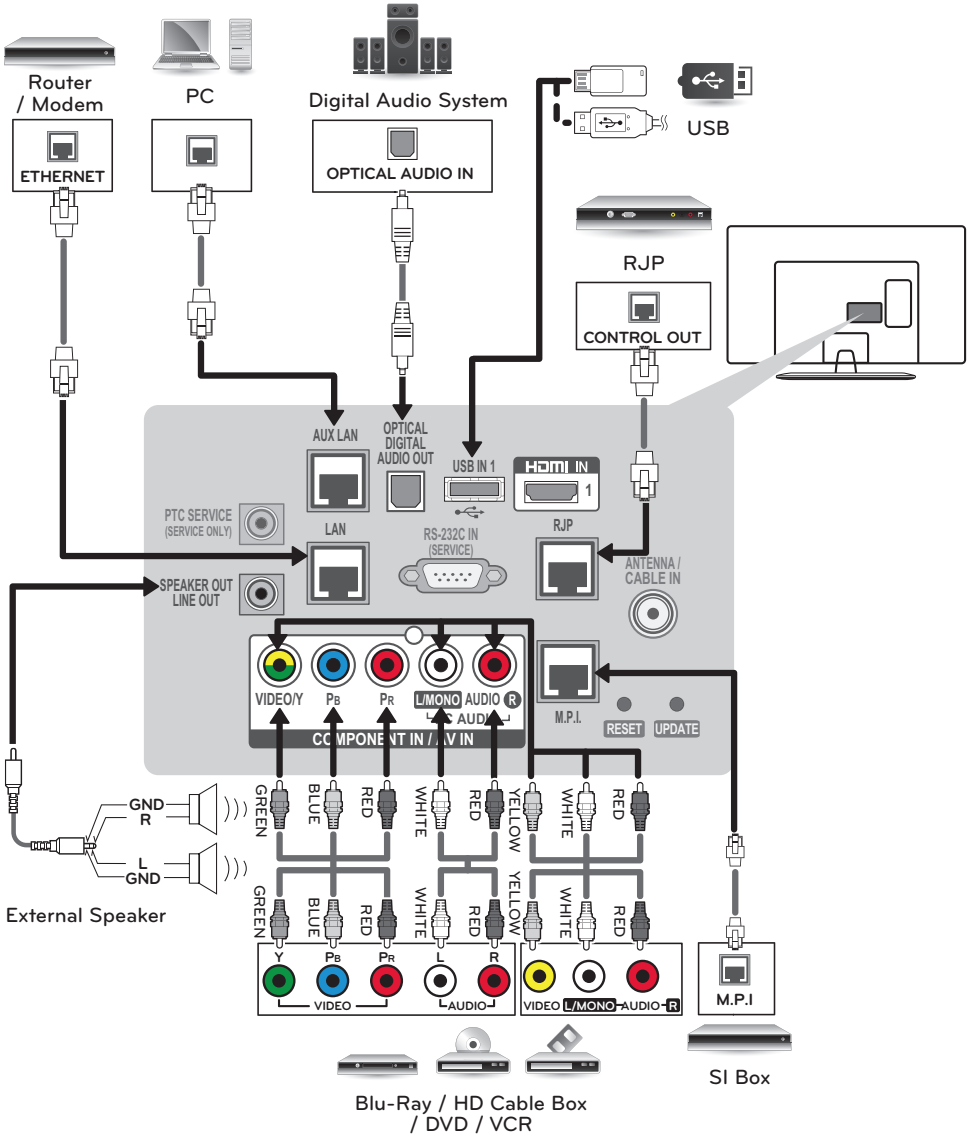


ENGLISH

Blu-Ray / HD Cable Box / HD STB / DVD / PC



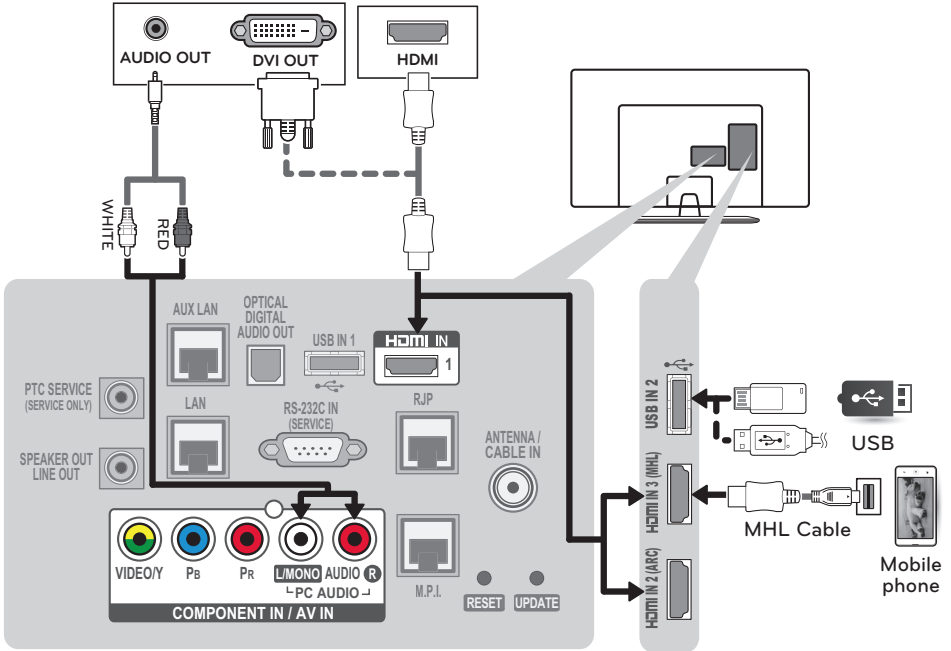
For LY760H series



ENGLISH

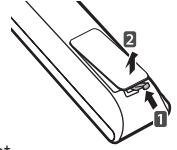


Blu-Ray / HD Cable Box / HD STB / DVD / PC



ENGLISH

# REMOTE CONTROL

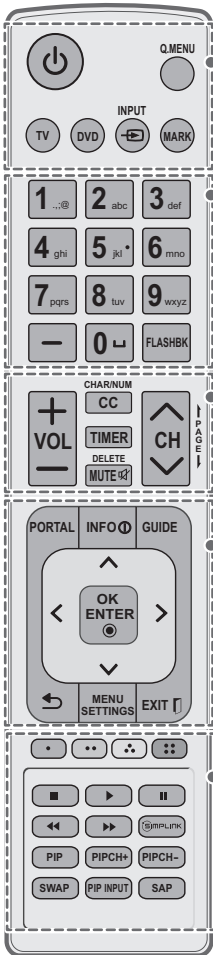


The descriptions in this manual are based on the buttons on the remote control. Please read this manual carefully and use the TV correctly. To install batteries, open the battery cover, replace batteries (1.5 V AAA) matching the ⊕ and ⊖ ends to the label inside the compartment, and close the battery cover. Failure to match the correct polarities of the battery may cause the battery to burst or leak, resulting in fire, personal injury, or ambient pollution. To remove the batteries, perform the installation actions in reverse.

- ⚠ CAUTION**
- Do not mix old and new batteries, as this may damage the remote control.

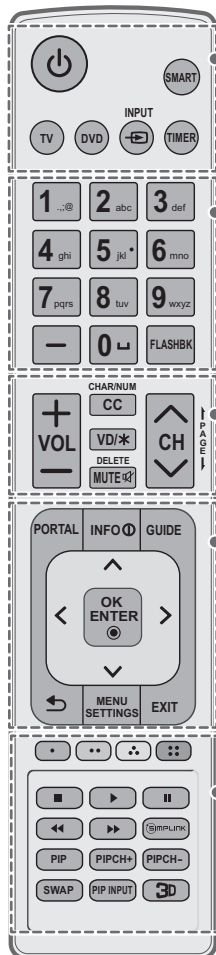
This remote uses infrared light. When in use, it should be pointed in the direction of the TV's remote sensor.

## For LY750H series



<p><b>⏻ (POWER)</b> Turns the TV on or off.</p> <p><b>Q.MENU</b> Not functional.</p> <p><b>TV</b> Selects the remote's operating mode: TV.</p> <p><b>DVD</b> Selects the remote's operating mode: DVD.</p> <p><b>⏮ INPUT</b> Changes the input source.</p> <p><b>MARK</b> Not functional</p>
<p><b>Number button</b> Enters numbers. Also supports characters.</p> <p><b>- (Dash)</b> Inserts a dash between numbers such as 2-1 and 2-2.</p> <p><b>FLASHBK</b> Tunes to the last channel or input viewed.</p> <p><b>+ VOL -</b> Adjusts the volume level.</p> <p><b>CHAR/NUM</b> Switches between Letter and Number input modes.</p> <p><b>CC</b> Selects a closed caption.</p> <p><b>TIMER</b> Turns the TV off in a set amount of time.</p> <p><b>DELETE</b> Deletes letters and numbers.</p> <p><b>MUTE</b>  Mutes all sounds.</p> <p><b>^ CH v</b> Scrolls through the saved channels.</p> <p><b>↑ PAGE ↓</b> Moves to the previous or next screen.</p>
<p><b>PORTAL</b> Displays and removes the interactive menu.</p> <p><b>INFO</b>  Views the information of the current program.</p> <p><b>GUIDE</b> Displays and removes the electronic program guide.</p> <p><b>Navigation buttons</b> (up/down/left/right) Scrolls through menus or options.</p> <p><b>OK/ENTER</b>  Selects menus or options and confirms your input.</p> <p><b>⏪ (BACK)</b> Returns to the previous screen.</p> <p><b>MENU/SETTINGS</b> Accesses the main menu.</p> <p><b>EXIT</b>  Clears all on-screen displays and returns to TV viewing.</p>
<p><b>Color buttons</b> (  : Red,  : Green,  : Yellow,  : Blue) These access special functions in some menus.</p> <p><b>Control buttons</b> (  ,  ,  ,  ) Controls the MY MEDIA menus or the SIMPLINK compatible devices (USB, SIMPLINK).</p> <p><b>SIMPLINK</b>  Accesses the AV devices connected to the TV; Opens the SIMPLINK menu.</p> <p><b>PIP</b> Enters the split screen mode. (Some input sources may not be displayed.)</p> <p><b>PIP CH +/-</b> Channel up or down the sub window.</p> <p><b>SWAP</b> Changes the main window and the sub window.</p> <p><b>PIP INPUT</b> Rotates through input of the sub window.</p> <p><b>SAP</b> Analog mode: Selects MTS sound (Mono, Stereo or SAP) DTV mode: Changes the audio language.</p>

## For LY760H series



<p><b>⏻ (POWER)</b> Turns the TV on or off.</p> <p><b>SMART</b> Accesses the Smart menu.</p> <p><b>TV</b> Selects the remote's operating mode: TV.</p> <p><b>DVD</b> Selects the remote's operating mode: DVD.</p> <p><b>↔ INPUT</b> Changes the input source.</p> <p><b>TIMER</b> Turns the TV off in a set amount of time.</p>
<p><b>Number button</b> Enters numbers. Also supports characters.</p> <p><b>- (Dash)</b> Inserts a dash between numbers such as 2-1 and 2-2.</p> <p><b>FLASHBK</b> Tunes to the last channel or input viewed.</p> <p><b>+ VOL -</b> Adjusts the volume level.</p> <p><b>CHAR/NUM</b> Switches between Letter and Number input modes.</p> <p><b>CC</b> Selects a closed caption.</p> <p><b>VD/*</b> Enables VD function. SAP (Secondary Audio Program) feature can also be enabled by pressing the VD key.</p> <p><b>DELETE</b> Deletes letters and numbers.</p> <p><b>MUTE</b> Mutes all sounds.</p> <p><b>^ CH v</b> Scrolls through the saved channels.</p> <p><b>↑ PAGE ↓</b> Moves to the previous or next screen.</p>
<p><b>PORTAL</b> Displays and removes the interactive menu.</p> <p><b>INFO ⓘ</b> Views the information of the current program.</p> <p><b>GUIDE</b> Displays and removes the electronic program guide.</p> <p><b>Navigation buttons</b> (up/down/left/right) Scrolls through menus or options.</p> <p><b>OK/ENTER</b> Selects menus or options and confirms your input.</p> <p><b>↶ (BACK)</b> Returns to the previous screen.</p> <p><b>MENU/SETTINGS</b> Accesses the main menu.</p> <p><b>EXIT</b> Clears all on-screen displays and returns to TV viewing.</p>
<p><b>Color buttons</b> (■ : Red, ■ : Green, ■ : Yellow, ■ : Blue) These access special functions in some menus.</p> <p><b>Control buttons</b> (■, ▶,   , ◀, ▶▶) Controls the MY MEDIA menus or the SIMPLINK compatible devices (USB, SIMPLINK).</p> <p><b>SIMPLINK</b> Feature can only be enabled or disabled by installer menu settings. Configuration of this feature is not supported on TV remote control.</p> <p><b>PIP</b> Not functional</p> <p><b>PIP CH +/-</b> Not functional</p> <p><b>SWAP</b> Not functional</p> <p><b>PIP INPUT</b> Not functional</p> <p><b>3D</b> Not functional</p>

# MAINTENANCE

## Cleaning your TV

Clean your TV regularly to keep it at peak performance and to extend the product's lifespan.

 **CAUTION**

- Before cleaning, turn the power off and disconnect the power cord and all other cables.
- When the TV is left unattended or unused for a long time, disconnect the power cord from the wall outlet to prevent possible damage from lightning or power surges.

### Screen, Frame, Cabinet, and Stand

To remove dust or light dirt, wipe the surface with a dry, clean, and soft cloth.

To remove major dirt, wipe the surface with a soft cloth dampened in clean water or a diluted mild detergent. Then wipe immediately with a dry cloth.

 **CAUTION**

- Do not push, rub, or hit the surface with your fingernail or a sharp object, as this may result in scratches on the screen and image distortions.
- Do not use any chemicals, such as waxes, benzene, alcohol, thinners, insecticides, air fresheners, or lubricants, as these may damage the screen's finish and cause discoloration.
- Do not spray liquid onto the surface. If water enters the TV, it may result in fire, electric shock, or malfunction.

### Power Cord

Remove the accumulated dust or dirt on the power cord regularly.

# TROUBLESHOOTING

The software may be updated for improvement in performance. The customer is responsible to ensure the compatibility of their equipment with any LG Electronics software. If needed, please consult with LG Electronics and update new software versions according to the guidance provided by LG Electronics.

Problem	Solution
Cannot control the TV with the remote control.	<ul style="list-style-type: none"> <li>• Check if anything such as tape has been placed over the receiver.</li> <li>• Check if there is any obstacle between the product and the remote control.</li> <li>• Replace the batteries with new fresh ones.</li> </ul>
No image display and no sound is produced.	<ul style="list-style-type: none"> <li>• Check if the product is turned on.</li> <li>• Check if the power cord is connected to a wall outlet.</li> <li>• Check if there is a problem in the wall outlet by connecting other products.</li> </ul>
The TV turns off suddenly.	<ul style="list-style-type: none"> <li>• Check the power control settings. The power supply may be interrupted.</li> <li>• Check if the auto off feature is activated in the Time settings.</li> </ul>
When connecting to the PC (RGB/HDMI/DVI), <b>No signal</b> or <b>Invalid Format</b> is displayed.	<ul style="list-style-type: none"> <li>• Turn the TV off/on using the remote control.</li> <li>• Reconnect the RGB/HDMI/DVI cable.</li> <li>• Restart the PC with the TV on.</li> </ul>

## SPECIFICATIONS

Product specifications may be changed without prior notice due to upgrade of product functions.

<b>Power requirement</b>		AC 100 - 240 V ~ 50 / 60 Hz
<b>Television System</b>		ATSC, NTSC-M, 64 & 256 QAM
<b>Program Coverage</b>		VHF 2-13, UHF 14-69, DTV 2-69, CATV 1-135, CADTV 1-135
<b>External Antenna Impedance</b>		75 Ω
<b>Environment condition</b>	Operating Temperature	0 °C to 40 °C (32 °F to 104 °F)
	Operating Humidity	Less than 80 %
	Storage Temperature	-20 °C to 60 °C (-4 °F to 140 °F)
	Storage Humidity	Less than 85 %

MODELS		32LY750H (32LY750H-UA)	32LY760H (32LY760H-UA)
Dimensions (W x H x D)	With stand	732 x 482 x 282 (mm)	
		28.8 x 18.9 x 11.1 (inches)	
	Without stand	732 x 437 x 55.5 (mm)	
		28.8 x 17.2 x 2.1 (inches)	
Weight	With stand	8.9 kg (19.6 lbs)	
	Without stand	6.0 kg (13.2 lbs)	
Current Value / Power Consumption		1.25 A / 75 W	

MODELS		39LY750H (39LY750H-UA)	39LY760H (39LY760H-UA)
Dimensions (W x H x D)	With stand	885 x 572 x 282(mm)	
		34.8 x 22.5 x 11.1 (inches)	
	Without stand	885 x 524 x 55.5 (mm)	
		34.8 x 20.6 x 2.1 (inches)	
Weight	With stand	10.9 kg (24.0 lbs)	
	Without stand	8.0 kg (17.6 lbs)	
Current Value / Power Consumption		1.0 A / 100 W	

MODELS		42LY750H (42LY750H-UA)	42LY760H (42LY760H-UA)
Dimensions (W x H x D)	With stand	961 x 617 x 325 (mm)	
		37.8 x 24.2 x 12.7 (inches)	
	Without stand	961 x 567 x 55.5 (mm)	
		37.8 x 22.3 x 2.1 (inches)	
Weight	With stand	12.6 kg (27.7 lbs)	
	Without stand	9.2 kg (20.2 lbs)	
Current Value / Power Consumption		1.1 A / 110 W	



MODELS		47LY750H (47LY750H-UA)	47LY760H (47LY760H-UA)
Dimensions (W x H x D)	With stand	1,073 x 680 x 325 (mm)	
		42.2 x 26.7 x 12.7 (inches)	
	Without stand	1,073 x 629 x 55.8 (mm)	
		42.2 x 24.7 x 2.1 (inches)	
Weight	With stand	15.7 kg (34.6 lbs)	
	Without stand	12.3 kg (27.1 lbs)	
Current Value / Power Consumption		1.2 A / 120 W	

MODELS		55LY750H (55LY750H-UA)	55LY760H (55LY760H-UA)
Dimensions (W x H x D)	With stand	1,243 x 771 x 325 (mm)	
		48.9 x 30.3 x 12.7 (inches)	
	Without stand	1,243 x 725 x 56.8 (mm)	
		48.9 x 28.5 x 2.2 (inches)	
Weight	With stand	20.7 Kg (45.6 lbs)	
	Without stand	17.3 Kg (38.1 lbs)	
Current Value / Power Consumption		1.4 A / 140 W	

## HDMI (PC) supported mode

Resolution	Horizontal Frequency (kHz)	Vertical Frequency (Hz)
640 x 350	31.468	70.09
720 x 400	31.469	70.08
640 x 480	31.469	59.94
800 x 600	37.879	60.31
1024 x 768	48.363	60.00
1152 x 864	54.348	60.053
1360 x 768	47.712	60.015
1280 x 1024	63.981	60.02
1920 x 1080	67.50	60.00

## HDMI (DTV) supported mode

Resolution	Horizontal Frequency (kHz)	Vertical Frequency (Hz)
720 x 480p	31.47	59.94
	31.50	60.00
1280 x 720p	44.96	59.94
	45.00	60.00
1920 x 1080i	33.72	59.94
	33.75	60.00
1920 x 1080p	26.97	23.976
	27.00	24.00
	33.71	29.97
	33.75	30.00
	67.432	59.94
	67.50	60.00

**For LY750H series**

Wireless LAN module (WN8122E1) specification	
Standard	IEEE802.11a/b/g/n
Frequency range	2400 to 2483.5 MHz 5150 to 5250 MHz 5725 to 5850 MHz
Output power (Max.)	802.11a: 16.5 dBm 802.11b: 16 dBm 802.11g: 15.5 dBm 802.11n - 2.4 GHz: 15.5 dBm 802.11n - 5 GHz: 16.5 dBm
<ul style="list-style-type: none"> <li>• Because band channel used by the country could be different, the user can not change or adjust the operating frequency and this product is set for the regional frequency table.</li> <li>• This device should be installed and operated with minimum distance 20 cm between the device and your body. And this phrase is for the general statement for consideration of user environment.</li> <li>• Contains FCC ID: BEJWN8122E1</li> <li>• Contains IC: 2703H-WN8122E1</li> </ul>	

**For LY760H series**

Wireless module (LGSBW41) Specifications			
Wireless LAN		Bluetooth	
Standard	IEEE 802.11a/b/g/n	Standard	Bluetooth Version 3.0
Frequency range	2400 to 2483.5 MHz 5150 to 5250 MHz 5725 to 5850 MHz	Frequency range	2400 to 2483.5 MHz
Output power (Max.)	802.11a: 11.5 dBm 802.11b: 11 dBm 802.11g: 10.5 dBm 802.11n - 2.4 GHz: 11 dBm 802.11n - 5 GHz: 12.5 dBm	Output power (Max.)	10 dBm or Lower
<ul style="list-style-type: none"> <li>• Because band channel used by the country could be different, the user can not change or adjust the operating frequency and this product is set for the regional frequency table.</li> <li>• This device should be installed and operated with minimum distance 20 cm between the device and your body. And this phrase is for the general statement for consideration of user environment.</li> <li>• Contains FCC ID: BEJLGSBW41</li> <li>• Contains IC: 2703H-LGSBW41</li> </ul>			

# CHILD SAFETY:

## PROPER TELEVISION PLACEMENT MATTERS



### THE CONSUMER ELECTRONICS INDUSTRY CARES

- Manufacturers, retailers and the rest of the consumer electronics industry are committed to making home entertainment safe and enjoyable.
- As you enjoy your television, please note that all televisions – new and old- must be supported on proper stands or installed according to the manufacturer's recommendations. Televisions that are inappropriately situated on dressers, bookcases, shelves, desks, speakers, chests, carts, etc., may fall over, resulting in injury.



### TUNE IN TO SAFETY

- **ALWAYS** follow the manufacturer's recommendations for the safe installation of your television.
- **ALWAYS** read and follow all instructions for proper use of your television.
- **NEVER** allow children to climb on or play on the television or the furniture on which the television is placed.
- **NEVER** place the television on furniture that can easily be used as steps, such as a chest of drawers.
- **ALWAYS** install the television where it cannot be pushed, pulled over or knocked down.
- **ALWAYS** route cords and cables connected to the television so that they cannot be tripped over, pulled or grabbed.



### WALL OR CEILING MOUNT YOUR TELEVISION

- **ALWAYS** contact your retailer about professional installation if you have any doubts about your ability to safely mount your television.
- **ALWAYS** use a mount that has been recommended by the television manufacturer and has a safety certification by an independent laboratory (such as UL, CSA, ETL).
- **ALWAYS** follow all instructions supplied by the television and mount manufacturers.
- **ALWAYS** make sure that the wall or ceiling where you are mounting the television is appropriate. Some mounts are not designed to be mounted to walls and ceilings with steel studs or cinder block construction. If you are unsure, contact a professional installer.
- Televisions can be heavy. A minimum of two people is required for a wall or ceiling mount installation.



### MOVING AN OLDER TELEVISION TO A NEW PLACE IN YOUR HOME

- Many new television buyers move their older CRT televisions into a secondary room after the purchase of a flat-panel television. Special care should be made in the placement of older CRT televisions.
- **ALWAYS** place your older CRT television on furniture that is sturdy and appropriate for its size and weight.
- **NEVER** place your older CRT television on a dresser where children may be tempted to use the drawers to climb.
- **ALWAYS** make sure your older CRT television does not hang over the edge of your furniture.

[CE.org/safety](http://CE.org/safety)





#### Declaration of Conformity

Trade Name: LG  
Model: 32/39/42/47/55LY750H-UA,  
32/39/42/47/55LY760H-UA  
Responsible Party: LG Electronics Inc.  
Address: 1000 Sylvan Ave.  
Englewood Cliffs NJ 07632  
U.S.A  
TEL: 201-266-2534

#### LG Customer Information Center

For inquires or comments, visit [www.lg.com](http://www.lg.com) or call;

**1-888-865-3026** USA, Commercial User  
**1-888-542-2623** CANADA

The model and serial number of the TV are located on the back and on one side of the TV. Record them below should you ever need service.

MODEL \_\_\_\_\_

SERIAL \_\_\_\_\_



This product qualifies for ENERGY STAR in the factory default (Home Use) setting. Changing the factory default settings or enabling other features may increase power consumption that could exceed the limits necessary to qualify for ENERGY STAR.

Refer to [ENERGYSTAR.gov](http://ENERGYSTAR.gov) for more information on the ENERGY STAR program.