



OWNER'S MANUAL

LED TV*

* LG LED TVs are LCD TVs with LED backlighting.

Please read this manual carefully before operating your TV and retain it for future reference.

22LB4510
24LB4510
29LB4510
29LB4505

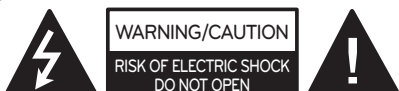


www.lg.com


P/NO : MFL67162479 (1407-REV03)


IMPORTANT SAFETY INSTRUCTIONS

Always comply with the following precautions to avoid dangerous situations and ensure peak performance of your product.





TO REDUCE THE RISK OF ELECTRIC SHOCK DO NOT REMOVE COVER (OR BACK). NO USER SERVICEABLE PARTS INSIDE. REFER TO QUALIFIED SERVICE PERSONNEL.


 The lightning flash with arrowhead symbol, within an equilateral triangle, is intended to alert the user to the presence of uninsulated dangerous voltage within the product's enclosure that may be of sufficient magnitude to constitute a risk of electric shock to persons.

 The exclamation point within an equilateral triangle is intended to alert the user to the presence of important operating and maintenance (servicing) instructions in the literature accompanying the appliance.

WARNING/CAUTION
- TO REDUCE THE RISK OF FIRE AND ELECTRIC SHOCK, DO NOT EXPOSE THIS PRODUCT TO RAIN OR MOISTURE.

 **WARNING**
If you ignore the warning message, you may be seriously injured or there is a possibility of accident or death.

 **CAUTION**
If you ignore the caution message, you may be slightly injured or the product may be damaged.

 **NOTE**
The note helps you understand and use the product safely. Please read the note carefully before using the product.

WARNING: This product contains chemicals known to the State of California to cause cancer and birth defects or other reproductive harm. *Wash hands after handling.*

Read these instructions.
Keep these instructions.
Follow all instructions.
Heed all warnings.



- Do not allow the television to become wet.



- Clean only with a dry cloth.



- Do not block any ventilation openings. Install in accordance with the manufacturer's instructions.



- Do not install near any heat sources such as radiators, heat registers, stoves, or other apparatus (including amplifiers) that produce heat.



- Do not defeat the safety purpose of the polarized or grounding-type plug. A polarized plug has two blades with one wider than the other. A grounding type plug has two blades and a third grounding prong. The wide blade or the third prong are provided for your safety. If the provided plug does not fit into your outlet, consult an electrician for replacement of the obsolete outlet (Can differ by country).



- Do not press strongly upon the panel with a hand or a sharp object such as a nail, pencil or pen, or make a scratch on it.



- Protect the power cord from being walked on or pinched particularly at plugs, convenience receptacles, and the point where they exit from the apparatus.



- Only use attachments/accessories specified by the manufacturer.



- Use only with a cart, stand, tripod, bracket, or table specified by the manufacturer, or sold with the apparatus. When a cart is used, use caution when moving the cart/apparatus combination to avoid injury from tip-over.



- Unplug this apparatus during lightning storms or when unused for long periods of time.



- Refer all servicing to qualified service personnel. Servicing is required when the apparatus has been damaged in any way, such as power-supply cord or plug is damaged, liquid has been spilled or objects have fallen into the apparatus, the apparatus has been exposed to rain or moisture, does not operate normally, or has been dropped.



- Do not stick metal objects or any other conductive material into the power cord. Do not touch the end of the power cord while it is plugged in.
- Keep the packing anti-moisture material or vinyl packing out of the reach of children. Anti-moisture material is harmful if swallowed. If swallowed by mistake, induce vomiting and go to the nearest hospital. Additionally, vinyl packing can cause suffocation. Keep it out of the reach of children.

- CAUTION concerning the Power Cord (Can differ by country)

It is recommended that appliances be placed upon a dedicated circuit; that is, a single outlet circuit which powers only that appliance and has no additional outlets or branch circuits. Check the specification page of this owner's manual to be certain. Do not connect too many appliances to the same AC power outlet as this could result in fire or electric shock. Do not overload wall outlets. Overloaded wall outlets, loose or damaged wall outlets, extension cords, frayed power cords, or damaged or cracked wire insulation are dangerous. Any of these conditions could result in electric shock or fire. Periodically examine the cord of your appliance, and if its appearance indicates damage or deterioration, unplug it, discontinue use of the appliance, and have the cord replaced with an exact replacement part by an authorized service. Protect the power cord from physical or mechanical abuse, such as being twisted, kinked, pinched, closed in a door, or walked upon. Pay particular attention to plugs, wall outlets, and the point where the cord exits the appliance. Do not move the TV with the power cord plugged in. Do not use a damaged or loose power cord. Be sure do grasp the plug when unplugging the power cord. Do not pull on the power cord to unplug the TV.



- **Warning** - To reduce the risk of fire or electrical shock, do not expose this product to rain, moisture or other liquids. Do not touch the TV with wet hands. Do not install this product near flammable objects such as gasoline or candles, or expose the TV to direct air conditioning.

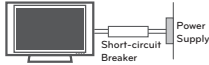


- Do not expose to dripping or splashing and do not place objects filled with liquids, such as vases, cups, etc. on or over the apparatus (e.g. on shelves above the unit).



• **Grounding**

(Except for devices which are not grounded.) Ensure that you connect the earth ground wire to prevent possible electric shock (i.e. a TV with a three-prong grounded AC plug must be connected to a three-prong grounded AC outlet). If grounding methods are not possible, have a qualified electrician install a separate circuit breaker. Do not try to ground the unit by connecting it to telephone wires, lightening rods, or gas pipes.

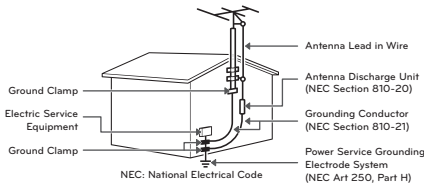


- As long as this unit is connected to the AC wall outlet, it is not disconnected from the AC power source even if the unit is turned off.
- Do not attempt to modify this product in any way without written authorization from LG Electronics. Unauthorized modification could void the user's authority to operate this product.

• **Outdoor Antenna Grounding**
(Can differ by country)

If an outdoor antenna is installed, follow the precautions below. An outdoor antenna system should not be located in the vicinity of overhead power lines or other electric light or power circuits, or where it can come in contact with such power lines or circuits as death or serious injury can occur. Be sure the antenna system is grounded so as to provide some protection against voltage surges and built-up static charges. Section 810 of the National Electrical Code (NEC) in the U.S.A. provides information with respect to proper grounding of the mast and supporting structure, grounding of the lead-in wire to an antenna discharge unit, size of grounding conductors, location of antenna discharge unit, connection to grounding electrodes and requirements for the grounding electrode.

Antenna grounding according to the National Electrical Code, ANSI/NFPA 70



• **Cleaning**

When cleaning, unplug the power cord and wipe gently with a soft cloth to prevent scratching. Do not spray water or other liquids directly on the TV as electric shock may occur. Do not clean with chemicals such as alcohol, thinners, or benzene.

• **Moving**

Make sure the product is turned off, unplugged, and all cables have been removed. It may take 2 or more people to carry larger TVs. Do not press or put stress on the front panel of the TV.

• **Ventilation**

Install your TV where there is proper ventilation. Do not install in a confined space such as a bookcase. Do not cover the product with cloth or other materials while plugged. Do not install in excessively dusty places.

- If you smell smoke or other odors coming from the TV, unplug the power cord and contact an authorized service center.
- Keep the product away from direct sunlight.
- Never touch this apparatus or antenna during a lightning storm.
- When mounting a TV on the wall, make sure not to install the TV by hanging the power and signal cables on the back of the TV.
- Do not allow an impact shock, any objects to fall into the product, and do not drop anything onto the screen.

• **DISCONNECTING DEVICE FROM THE MAIN POWER**

Mains plug is the disconnecting device. The plug must remain readily operable.

- Store the accessories (battery, etc.) in a safe location out of the reach of children.
- This apparatus uses batteries. In your community there might be regulations that require you to dispose of these batteries properly due to environmental considerations. Please contact your local authorities for disposal or recycling information.
- Do not dispose of batteries in a fire.
- Do not short circuit, disassemble, or allow the batteries to overheat.

- **Dot Defect**

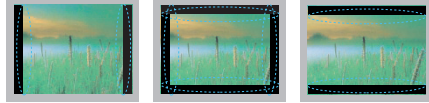
The panel is a high technology product with resolution of two million to six million pixels. In a very few cases, you could see fine dots on the screen while you're viewing the TV. Those dots are deactivated pixels and do not affect the performance and reliability of the TV.

- **Generated Sound**

Cracking noise A cracking noise that occurs when watching or turning off the TV is generated by plastic thermal contraction due to temperature and humidity. This noise is common for products where thermal deformation is required. Electrical circuit humming/panel buzzing: A low level noise is generated from a high-speed switching circuit, which supplies a large amount of current to operate a product. It varies depending upon the product. This generated sound does not affect the performance and reliability of the product.

- Take care not to touch the ventilation openings. When watching the TV for a long period, the ventilation openings may become hot. This does not affect the performance of the product or cause defects in the product.
- Do not install this product on a wall if it could be exposed to oil or oil mist. This may damage the product and cause it to fall.
- If the TV feels cold to the touch, there may be a small flicker when it is turned on. This is normal; there is nothing wrong with TV. Some minute dot defects may be visible on the screen, appearing as tiny red, green, or blue spots. However, they have no adverse effect on the TV's performance. Avoid touching the LCD screen or holding your finger(s) against it for long periods of time. Doing so may produce some temporary distortion effects on the screen.

Preventing image burn or burn-in on your TV screen



- If a fixed image displays on the TV screen for a long period of time, it will be imprinted and become a permanent disfigurement on the screen. This is image burn or burn-in and not covered by the warranty.
- If the aspect ratio of the TV is set to 4:3 for a long period of time, image burn may occur on the letterboxed area of the screen.
- Avoid displaying a fixed image on the TV screen for a long period of time (2 or more hours for LCD, 1 or more hours for the Plasma TV) to prevent image burn.

For USA and Canada**FCC NOTICE**

This equipment has been tested and found to comply with the limits for a Class B digital device, pursuant to Part 15 of the FCC Rules. These limits are designed to provide reasonable protection against harmful interference in a residential installation. This equipment generates, uses and can radiate radio frequency energy and, if not installed and used in accordance with the instructions, may cause harmful interference to radio communications. However, there is no guarantee that interference will not occur in a particular installation. If this equipment does cause harmful interference to radio or television reception, which can be determined by turning the equipment off and on, the user is encouraged to try to correct the interference by one or more of the following measures:

- Reorient or relocate the receiving antenna.
- Increase the separation between the equipment and the receiver.
- Connect the equipment to an outlet on a circuit different from that to which the receiver is connected.
- Consult the dealer or an experienced radio/TV technician for help.

This device complies with part 15 of the FCC Rules. Operation is subject to the following two conditions: (1) this device may not cause harmful interference and (2) this device must accept any interference received, including interference that may cause undesired operation of the device. Any changes or modifications in construction of this device which are not expressly approved by the party responsible for compliance could void the user's authority to operate the equipment.

NOTE TO CABLE/TV INSTALLER

This reminder is provided to call the CATV system installer's attention to Article 820-40 of the National Electric Code (U.S.A.). The code provides guidelines for proper grounding and, in particular, specifies that the cable ground shall be connected to the grounding system of the building, as close to the point of the cable entry as practical.

For USA**LG Recycling Policy**

LG Electronics offers a customized e-waste take-back and recycling service that meets local needs and requirements in the countries where e-waste regulations are in place, and also provides product and packaging take-back and recycling service voluntarily in some countries. LG Electronics evaluates products' recyclability at the design step using LG's recyclability evaluation tool, with the goal of improving recyclability where practicable. Through these activities, LG seeks to contribute to conserving natural resources and protecting the environment. For more information about the LG Recycling Policy, please visit our global site at <http://www.lg.com/global/sustainability/environment/take-back-recycling>

LICENSES

Supported licenses may differ by model. For more information about licenses, visit www.lg.com.



Manufactured under license from Dolby Laboratories. Dolby and the double-D symbol are trademarks of Dolby Laboratories.



The terms HDMI and HDMI High-Definition Multimedia Interface, and the HDMI logo are trademarks or registered trademarks of HDMI Licensing LLC in the United States and other countries.

OPEN SOURCE SOFTWARE NOTICE

To obtain the source code under GPL, LGPL, MPL and other open source licenses, that is contained in this product, please visit <http://opensource.lge.com>.

In addition to the source code, all referred license terms, warranty disclaimers and copyright notices are available for download.

LG Electronics will also provide open source code to you on CD-ROM for a charge covering the cost of performing such distribution (such as the cost of media, shipping and handling) upon email request to opensource@lge.com. This offer is valid for three (3) years from the date on which you purchased the product.

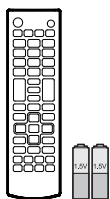
NOTE

- Image shown may differ from your TV.
- Your TV's OSD (On Screen Display) may differ slightly from that shown in this manual.
- The available menus and options may differ from the input source or product model that you are using.
- New features may be added to this TV in the future.
- The TV can be placed in standby mode in order to reduce the power consumption. And the TV should be turned off if it will not be watched for some time, as this will reduce energy consumption.
- The energy consumed during use can be significantly reduced if the level of brightness of the picture is reduced, and this will reduce the overall running cost.

ASSEMBLING AND PREPARING

Unpacking

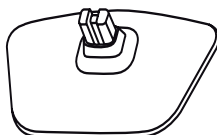
Check your product box for the following items. If there are any missing accessories, contact the local dealer where you purchased your product. The illustrations in this manual may differ from the actual product and item.



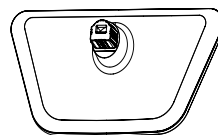
Remote Control,
Batteries (AAA)



Owner's Manual



Stand Base
(For 22/24LB4510)



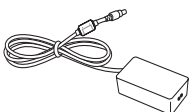
Stand Base
(For 29LB4510/4505)

ENGLISH

(Depending upon model)

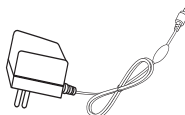


Power Cord



AC/DC Adapter

or



AC/DC Adapter
(Depending upon model)



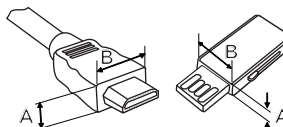
CAUTION

- Do not use any unapproved items to ensure the safety and product's lifespan.
- Any damages or injuries by using unapproved items are not covered by the warranty.
- Some models appear to have a thin film on the screen. It is actually part of the screen; do not remove it.



NOTE

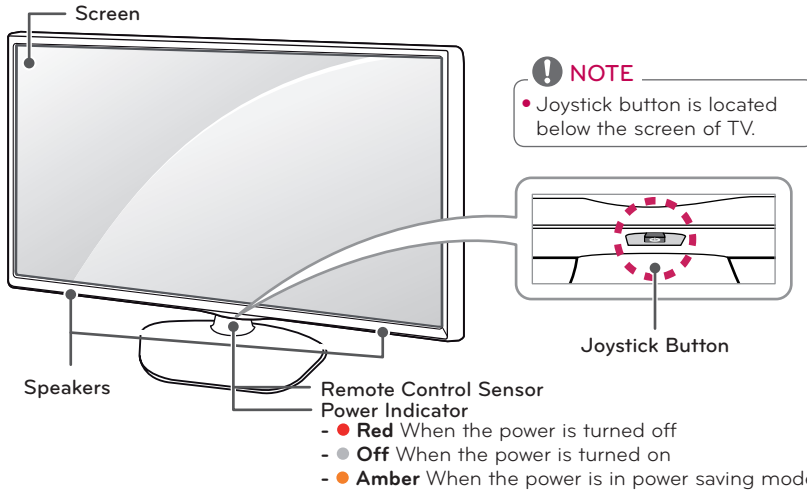
- The items supplied with your product may vary depending upon the model.
- Product specifications or contents of this manual may be changed without prior notice due to upgrade of product functions.
- For an optimal connection, HDMI cables and USB devices should have bezels less than 10 mm (0.39 inches) thick and 18 mm (0.7 inches) width.
- Use an extension cable that supports USB 2.0 if the USB cable or USB flash drive does not fit into your TV's USB port.



*A ≤ 10 mm (0.39 inches)
*B ≤ 18 mm (0.7 inches)

Parts and buttons

(For 22/24LB4510)



Using the joystick button

You can operate the TV by pressing the button or moving the joystick left, right, up, or down.

Basic functions

	Power On	When the TV is turned off, place your finger on the joystick button, press it once and release it.
	Power Off	When the TV is turned on, place your finger on the joystick button, press it once for a few seconds and release it. (However, if the Menu button is on the screen, pressing and holding the joystick button will let you exit the Menu.)
	Volume Control	If you place your finger over the joystick button, move it left or right, you can adjust the volume level you want.
	Channels Control	If you place your finger over the joystick button, move it up or down, you can scroll through the saved channels you want.

NOTE

- With your finger over the joystick button, move it up, down, left, or right, be careful not to press the joystick button. If you press the joystick button first, you can not adjust the volume level and/or scroll through saved channels.

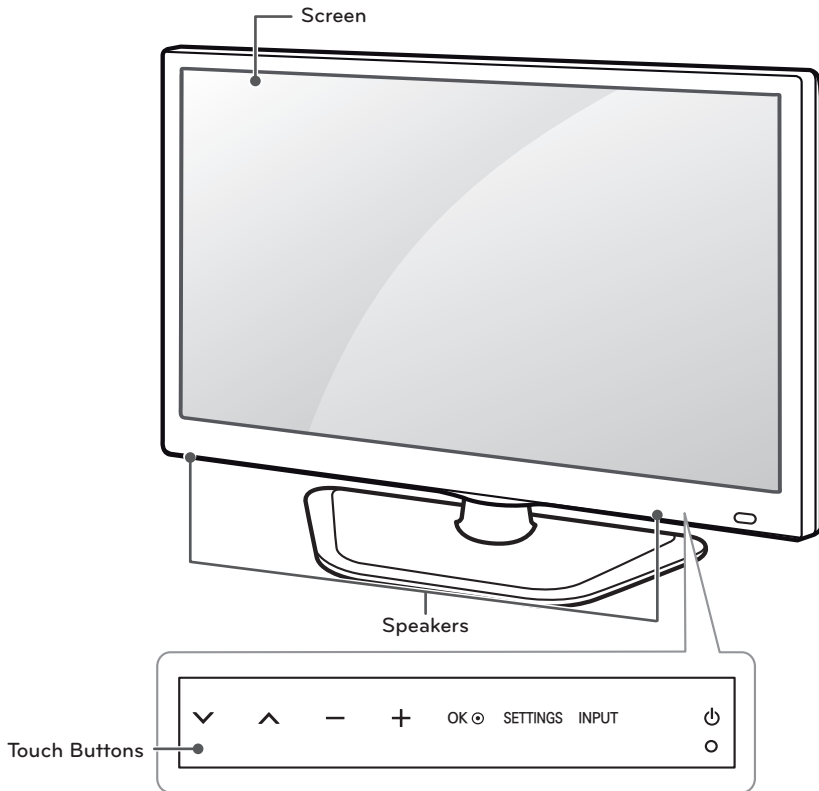
Adjusting the menu

When the TV is turned on, press the joystick button one time.

You can adjust the menu items (⏻, ⚙️, ✖️, 📺) moving the joystick button up, down, left, or right.

		TV off	Turns the power off.
		Settings	Accesses the main menu.
		Close	Clears on-screen displays and returns to TV viewing.
		Input List	Changes the input source.

(For 29LB4510/4505)



ENGLISH

Touch Button	Description
▼ / ▲	Scrolls through the saved channels.
— / +	Adjusts the volume level.
OK ⊙	Selects the highlighted menu option or confirms an input.
SETTINGS	Accesses the main menus, or saves your input and exits the menus.
INPUT	Changes the input source.
⏻	Turns the power on or off.

NOTE

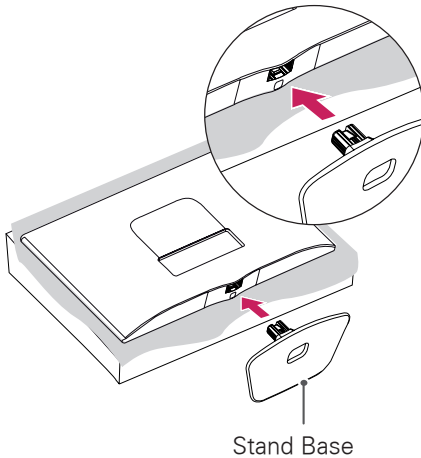
- All of the buttons are touch sensitive and can be operated through simply touching with your finger.

Setting up the TV

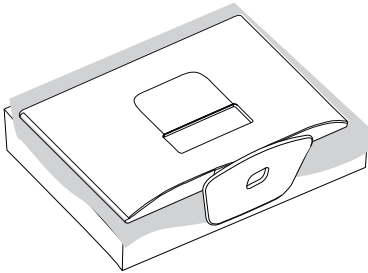
Image shown may differ from your TV.

Attaching the stand

1



2

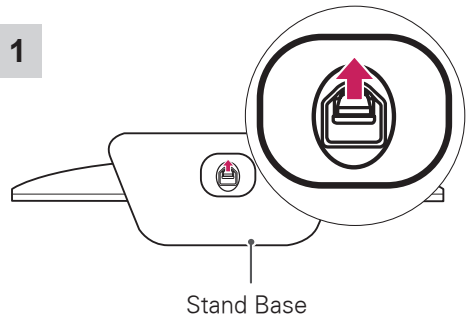


CAUTION

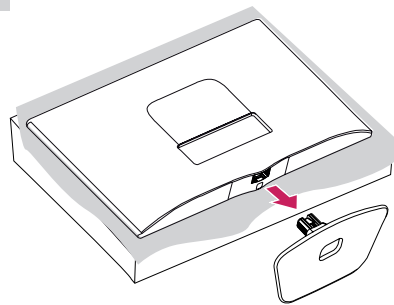
- When attaching the stand to the TV set, place the screen facing down on a cushioned table or flat surface to protect the screen from scratches.

Detaching the stand

1



2

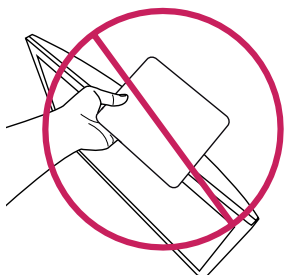


NOTE

- Lift up the latch at the bottom of the stand base and detach the stand base from the TV.

! CAUTION

- Do not carry the TV upside-down by holding the stand body (or stand base) as this may cause it to fall off, resulting in damage or injury.
- The illustration shows a general example of installation and may look different from the actual product.



ENGLISH

Lifting and moving the TV

When moving or lifting the TV, read the following to prevent the TV from being scratched or damaged and for safe transportation regardless of its type and size.

! CAUTION

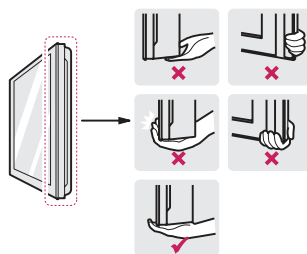
- Avoid touching the screen at all times, as this may result in damage to the screen.
- Do not place the product on the floor with its front facing down without padding. Failure to do so may result in damage to the screen.

- It is recommended to move the TV in the box or packing material that the TV originally came in.
- Before moving or lifting the TV, disconnect the power cord and all cables.

- When holding the TV, the screen should face away from you to avoid damage.



- Hold the top and bottom of the TV frame firmly. Make sure not to hold the transparent part, speaker, or speaker grill area.



- When transporting the TV, do not expose the TV to jolts or excessive vibration.
- When transporting the TV, keep the TV upright; never turn the TV on its side or tilt towards the left or right.

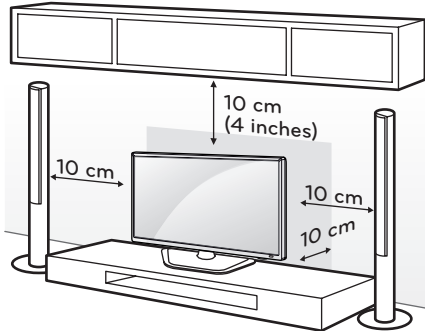
! CAUTION

- When handling the TV, be careful not to damage the protruding joystick button. (Depending upon model)



Mounting on a table

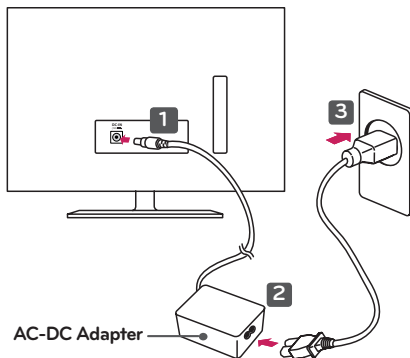
- 1 Lift and tilt the TV into its upright position on a table.
 - Leave a 10 cm (4 inches) (minimum) space from the wall for proper ventilation.



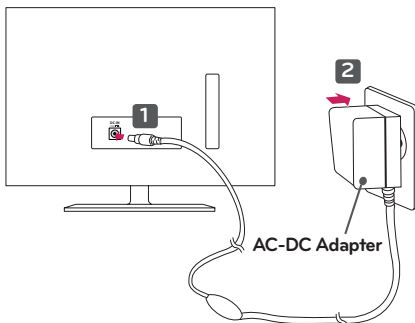
CAUTION

- Do not place the TV near or on sources of heat, as this may result in fire or other damage.
- Please be sure to connect the TV to the AC/DC power adapter before connecting the TV's power plug to a wall power outlet.

- 2 Connect the AC/DC Adapter and Power Cord to a wall outlet.



or

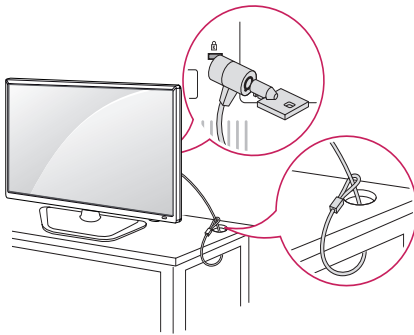


Using the Kensington security system(optional)

(Depending upon model)

The Kensington security system connector is located at the back of the TV. For more information of installation and using, refer to the manual supplied with the Kensington security system or visit <http://www.kensington.com>.

Connect the Kensington security system cable between the TV and a table.



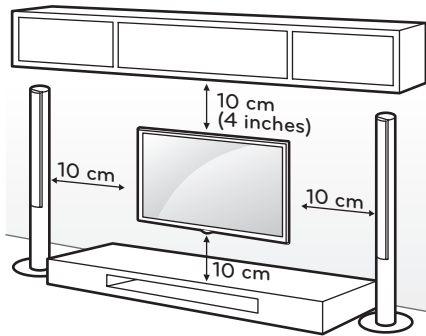
ENGLISH

NOTE

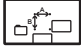
- The Kensington security system is optional. You can obtain additional accessories from most electronics stores.

Mounting on a wall

An optional wall mount can be used with your LG Television. Consult with your local dealer for a wall mount that supports the VESA standard used by your TV model. Carefully attach the wall mount bracket at the rear of the TV. Install the wall mount bracket on a solid wall perpendicular to the floor. If you are attaching the TV to other building materials, please contact qualified personnel to install the wall mount. Detailed instructions will be included with the wall mount. We recommend that you use an LG brand wall mount. When you do not use LG's wall mount bracket, please use a wall mount bracket where the device is adequately secured to the wall with enough space to allow connectivity to external devices.

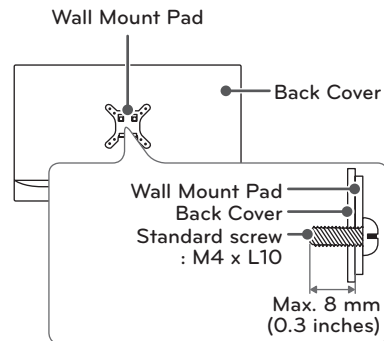


Make sure to use screws and wall mounts that meet the VESA standard. Standard dimensions for the wall mount kits are described in the following table.

Model	22LB4510 24LB4510	29LB4510 29LB4505
VESA (A x B)	75 x 75	100 x 100
		
Standard screw	M4 x L10	
Number of screws	4	
Wall mount bracket (optional)	RW120	

⚠ CAUTION

- Disconnect the power before moving or installing the TV. Otherwise electric shock may occur.
- If you install the TV on a ceiling or slanted wall, it may fall and result in severe injury. Use an authorized LG wall mount and contact the local dealer or qualified personnel. When using a third-party wall mount, it is not covered by the warranty.
- Do not over tighten the screws as this may cause damage to the TV and void your warranty.
- Use the screws and wall mounts that meet the VESA standard. Any damages or injuries by misuse or using an improper accessory are not covered by the warranty.
- Screw length from outer surface of back cover should be under 8 mm (0.3 inches).



! NOTE

- Use the screws that are listed on the VESA standard screw specifications.
- The wall mount kit includes an installation manual and necessary parts.
- The wall mount bracket is optional. You can obtain additional accessories from your local dealer.
- The length of screws may differ depending upon the wall mount. Be sure to use the proper length.
- For more information, refer to the instructions supplied with the wall mount.

MAKING CONNECTIONS

You can connect various external devices to the TV. Supported external devices are: HD receivers, DVD players, VCRs, audio systems, USB storage devices, PC, gaming devices, and other external devices. For more information on external device's connection, refer to the manual provided with each device.

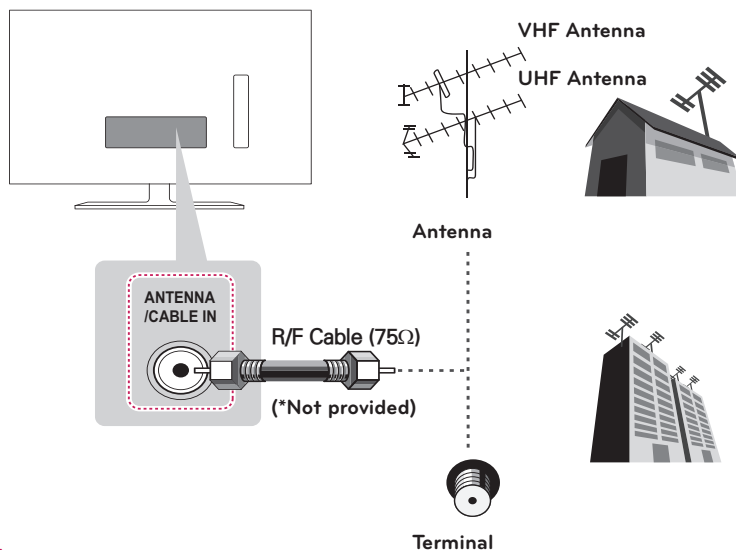
! NOTE

- If you record a TV program on a DVD recorder or VCR, make sure to connect the TV signal input cable to the TV through a DVD recorder or VCR. For more information about recording, refer to the manual provided with the connected device.
- The external device connections shown may differ slightly from illustrations in this manual.
- Connect external devices to the TV regardless about the order of the TV port.
- If you connect a gaming device to the TV, use the cable supplied with the gaming device.
- Refer to the external equipment's manual for operating instructions.

Connecting to an antenna or cable

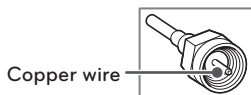
Connect an antenna, cable, or cable box to watch TV. The illustrations may differ from the actual items and an RF cable is optional.

ENGLISH



! CAUTION

- Make sure not to bend the copper wire of the RF cable.



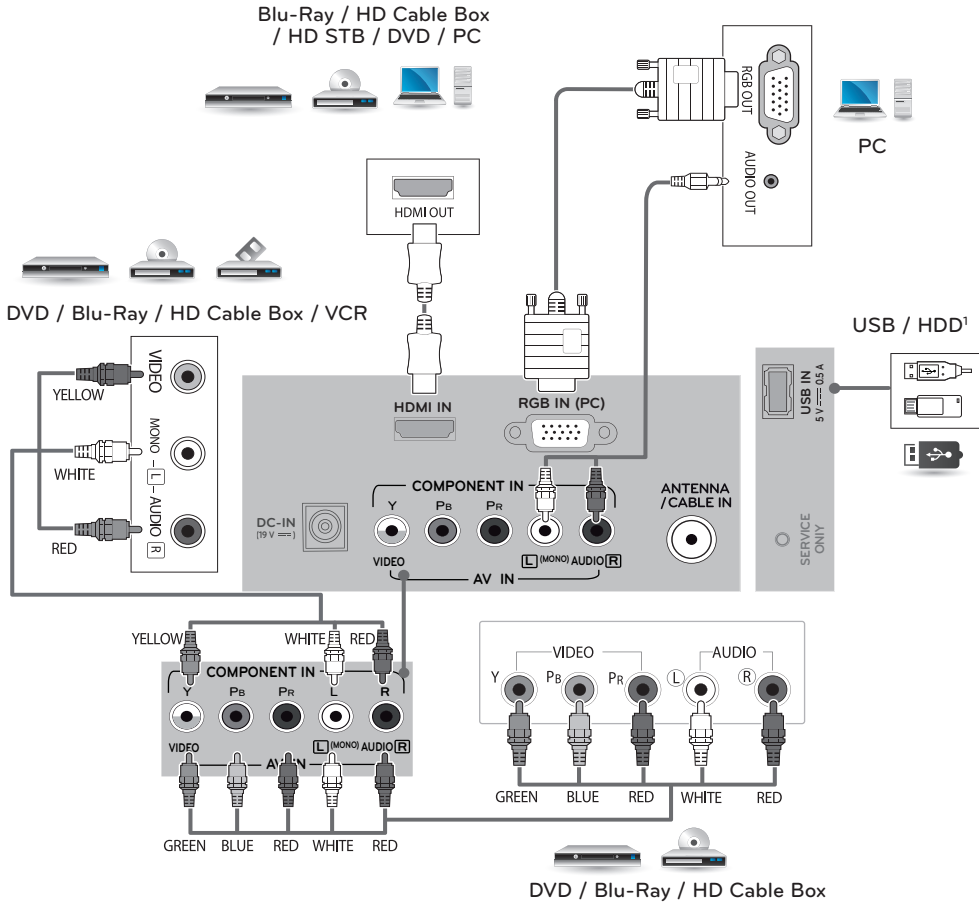
- Complete all connections between devices, and then connect the power cord to the power outlet to prevent damage to your TV.

! NOTE

- Use a signal splitter to use 2 TVs or more.
- DTV Audio Supported Codec: MPEG, Dolby Digital

Other connections

Connect your TV to external devices. For the best picture and audio quality, connect the external device and the TV with the HDMI cable as shown. Depending upon the model, a cable may be provided.



ENGLISH

1 The USB port provides 0.5A electric current. If you need more electric current in the case of an HDD, use a separate power adaptor.

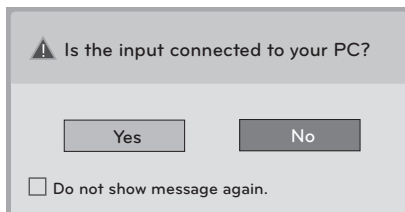
Connecting to a PC

NOTE

- It is recommended to use the TV with an HDMI connection for the best image quality.
- If you do not use an optional external speaker, connect the PC to the TV with the optional audio cable.
- If you turn the TV on when the set is cold, the screen may flicker. This is normal.
- Some red, green, or blue spots may appear on the screen. This is normal.
- Connect the signal input cable and tighten it by turning the screws clockwise.
- Do not press the screen with your finger for a long time as this may result in temporary distortion on the screen.
- Avoid displaying a fixed image on the screen for a long period of time to prevent image burn. Use a screensaver if possible.
- When using the HDMI/DVI cable, only single link is supported.

NOTE

- If you want to use HDMI-PC mode, you must set the input label to PC mode.
- The OSD (On Screen Display) is displayed on the screen as shown below.
 - » When turning the product on in **HDMI** input.
 - » When switching to **HDMI** input.



- If you select **Yes** the size and image quality are optimised for your PC.
- If you select **No** the size and image quality are optimised for the AV device (DVD player, set-top box, gaming device).
- If you select **Do not show message again** this message does not appear until the TV is reset. You can change the set value in **SETTINGS ► OPTION ► Input Label**.

REMOTE CONTROL



The descriptions in this manual are based on the buttons on the remote control. Please read this manual carefully and use the TV correctly. To install batteries, open the battery cover, replace batteries (1.5 V AAA) matching the ⊕ and ⊖ ends to the label inside the compartment, and close the battery cover. Failure to match the correct polarities of the battery may cause the battery to burst or leak, resulting in fire, personal injury, or ambient pollution. To remove the batteries, perform the installation actions in reverse.

CAUTION

- Do not mix old and new batteries, as this may damage the remote control.

This remote uses infrared light. When in use, it should be pointed in the direction of the TV's remote sensor.

	<p>⏻ (POWER) Turns the TV on or off.</p> <p>TV/PC Selects TV or PC mode.</p> <p>CAPTION Activates or deactivates the subtitles.</p> <p>AV MODE Selects an AV mode.</p> <p>RATIO Resizes an image.</p> <p>⏪ INPUT Changes the input source. Turns the TV on if it is off.</p>
	<p>Number button Enters numbers.</p> <p>— (Dash) Inserts a dash between numbers such as 2-1 and 2-2</p> <p>LIST Accesses the saved channel list.</p> <p>FLASHBK Alternates between the two last channels selected (pressing repeatedly).</p>
	<p>+ VOL — Adjusts the volume level.</p> <p>FAV Accesses your favorite channel list.</p> <p>AUDIO Digital signal: Changes the audio language. Analog signal: Changes the MTS sound.</p> <p>MUTE Mutes all sounds.</p> <p>^ CH v Scrolls through the saved channels.</p> <p>^ PAGE v Moves to the previous or next screen.</p>
	<p>PICTURE Changes the image mode.</p> <p>INFO ⓘ Shows information on the current program.</p> <p>SOUND Changes the sound mode.</p> <p>SETTINGS Accesses the main menu.</p> <p>Q.MENU Accesses the quick menu.</p> <p>Navigation buttons (▲, ▼, ◀, ▶) Scrolls through menus or options.</p> <p>OK ⓘ Selects menus or options and confirms your input.</p> <p>⏪ BACK Returns to the previous screen.</p> <p>EXIT Clears all on-screen displays and returns to TV viewing.</p>
	<p>* Not functional.</p> <p>SLEEP Sets the length of time until the TV to turns off.</p> <p>Control buttons (■, ◀◀, ▶▶, , ▶▶▶) Controls the compatible devices (USB).</p> <p>⊙ ⊙ ⊙ ⊙ These access special functions in some menus.</p> <p>— + (Backlight) Adjusts the brightness of the screen by controlling the screen backlight.</p>

ENGLISH

SETTINGS

To set up the channels automatically

SETTINGS ⇨ CHANNEL → Auto Tuning

Memorizes automatically the channels being broadcast.

- The channels will not be memorized properly if the antenna/cable is not installed correctly.
- **Auto Tuning** memorizes the channels that are currently being broadcast.
- If **Lock System** is turned on, a pop-up window will appear asking for password.

To use Energy Saving feature

SETTINGS ⇨ PICTURE → Energy Saving

Saves electric power by adjusting screen brightness.

- **Off** Turns off the Energy Saving.
- **Minimum/Medium/Maximum** Applies the pre-set Energy Saving.
- **Screen off** Screen is turned off and only sound is played. Press any button except Power button on the remote control to turn the screen back on.

To select picture mode

SETTINGS ⇨ PICTURE → Picture Mode

Select the picture mode optimized for the viewing environment or the program.

- **Vivid** Adjusts the video image for the retail environment by enhancing the contrast, brightness, color, and sharpness.
- **Standard** Adjusts the image for a normal environment.
- **APS** The Energy Saver feature changes settings on the TV to reduce power consumption.
- **Cinema** Optimizes the video image for a cinematic look to enjoy movies as if you are in a movie theater.
- **Game** Optimizes the video image for fast moving video such as PCs or games.
- **Photo** Displays the optimum picture for photo (still image).
- **Expert 1, 2** Adjusts the detailed video image settings for video experts as well as general viewers.
- Pressing any button of the remote control will turn on the screen again.

To set advanced control

SETTINGS ⇨ PICTURE → Picture Mode → Advanced Control/Expert Control

For each picture mode, screen can be calibrated; or for a special screen, picture settings can be adjusted.

Select the desired **Picture Mode**.

- **Dynamic Contrast** Adjusts the contrast to the optimal level according to the image's brightness.
- **Dynamic Color** Adjusts colors to make the image appear in more natural colors.
- **Skin Color** Skin color spectrum can be separately set to implement the skin color as defined by the user.
- **Grass Color** Natural color spectrum (meadows, hills, etc.) can be separately set.
- **Sky Color** Sky color is set separately.
- **Gamma** Sets the gradation curve according to the output of picture signal in relation to the input signal.
- **Color Gamut** Selects the range of colors that can be expressed.
- **Edge Enhancer** Shows clearer and distinctive yet natural edges of the video.
- **Color Filter** Filters a specific color spectrum in RGB colors to fine-tune color saturation and hue accurately.
- **Color Temperature** Adjusts the overall tone of the screen as desired. In Expert mode, detailed fine-tuning can be set via Gamma method, etc.
- **Color Management System** This system is used by experts to adjust color with a test pattern. They can select from six color areas (Red/ Green/Blue/ Cyan/Magenta/ Yellow) without affecting other colors. For normal images, adjustments may not result in noticeable color changes.
- Depending upon input signal or other picture settings, the range of detailed items for adjustment may differ.

To set additional picture options**SETTINGS ⇨ PICTURE → Picture Mode → Picture Option**

Adjusts detailed setting for images.

- **Noise Reduction** Eliminates noise in the picture.
- **MPEG Noise Reduction** Eliminates noise generated while creating digital picture signals.
- **Black Level** Adjusts the brightness and contrast of the screen to suit the black level.
- **Real Cinema** Optimizes the screen for movie viewing.
- **Motion Eye Care** (Depending upon model) Saves power consumption by adjusting the brightness corresponding to the movement of the image on the screen.
- Depending upon input signal or other picture settings, the range of detailed items for adjustment may differ.

To use TV speaker**SETTINGS ⇨ AUDIO → TV Speaker**

Sound is output through the TV speaker.

To set the password**SETTINGS ⇨ LOCK → Set Password**

Set or change the TV password.

- The initial password is set to 0000.

To set the caption**SETTINGS ⇨ OPTION → Caption**

View captions when the TV station provides captioned programming. Program captions work only on digital/analog broadcasts or external input.

Change **Caption** to **On** and select caption settings.

- **Mode**
CC 1-4 (Closed Captioning) / **Text 1-4**
Displays the audio portion of a TV program as text on the TV screen. CC1 is the most common mode in use. Field 1 data channels: two Captions (CC1, CC2), two Text (T1, T2). Field 2 data channels: two Captions (CC3, CC4), two Text (T3, T4).
Service 1-6 This is only available for the digital broadcasting system.
- **Digital Option** Set up the size and color of the captions on **Digital Option**. Please select **Set by Program** or **Custom**. Select **Custom** to adjust minute options such as the captions' size and color.

To return to initial settings**SETTINGS ⇨ OPTION → Initial Setting**

Returns to initial default mode by deleting all optional setup. Once initialization is completed, the TV will turn off and on by itself.

- When **Lock System** is in place, a pop-up window appears and asks for password.
- Do not turn off the power during initialization.

To remove the USB device**Q.MENU ⇨ Eject USB → Eject**

Once the message that the USB device was removed is displayed, remove the device from the TV.

- After selecting to remove USB device, the USB storage Device cannot be read. Remove the USB storage device and then reconnect it.

Warning when using USB storage devices

- The TV recognizes only a USB storage device.
- If you connect a USB storage device to the TV through a USB hub, your TV may not recognize the USB storage device.
- The TV may not recognize a USB storage device that requires a special driver.
- The recognition speed of a USB storage device may differ Depending upon the device.
- Only use a USB storage device which has normal music or image files.
- Use only USB storage devices that are formatted as a FAT 32 or NTFS file system.
- You may need to connect a USB storage device to an external power supply with a power adapter.
- If the TV does not recognize a connected USB storage device, replace the cable and try again. Do not use an excessively long cable.
- The TV does not support some USB storage devices properly.
- You can use a multi-partition (up to 4) USB storage device.
- The file alignment method of a USB storage device is similar to the one of Window XP.
- You cannot create or delete a folder saved in a USB storage device directly on the TV.
- The number of characters for a file name is up to 100 English characters.
- If there are too many folders and files in one folder, it may not operate properly.
- The recommended capacity for a USB external hard disk is 1 TB or less and for a USB storage device is 32 GB or less.
- If a USB external hard disk with the Energy Saving feature does not work, turn the USB external hard disk off and on again to make it work properly. For more information, refer to the user manual of the USB external hard disk.

- The electrostatic can cause USB device's malfunction. In this case, USB Device has to be plugged again.

Supported Photo Formats

- Category: 2D (jpeg, jpg)
[Available file type]
SOF0: baseline,
SOF1: Sequential,
SOF2: Progressive
[Photo size]
Minimum: 64 x 64
Maximum: Normal Type: 15360 (W) x 8640 (H)
Progressive Type: 1024 (W) x 768 (H)

Supported Audio Formats

- File type: mp3
[Bit rate] 32 Kbps - 320 Kbps
[Sample freq.] 16 kHz - 48 kHz
[Support] MPEG1, MPEG2, Layer2, Layer3

TO SEE THE WEB MANUAL

Web manual allows you to easily access detailed TV information.

Go to www.lg.com.

SPECIFICATIONS

Product specifications may be changed without prior notice due to upgrade of product functions.

Television System	ATSC, NTSC-M, 64 & 256 QAM	
Program Coverage	VHF 2-13, UHF 14-69, CATV 1-135, DTV 2-69, CADTV 1-135	
External Antenna Impedance	75 Ω	
Environment condition	Operating Temperature	0 °C to 40 °C (32 °F to 104 °F)
	Operating Humidity	Less than 80 %
	Storage Temperature	-10 °C to 60 °C (14 °F to 140 °F)
	Storage Humidity	Less than 85 %

MODELS		22LB4510 (22LB4510-PU)	24LB4510 (24LB4510-PU)
Dimensions (W x H x D)	With stand	507.6 x 355.9 x 140.6 (mm)	556.0 x 384.3 x 140.6 (mm)
		19.9 x 14.0 x 5.5 (inches)	21.8 x 15.1 x 5.5 (inches)
	Without stand	507.6 x 314.7 x 52.7 (mm)	556.0 x 343.1 x 52.7 (mm)
		19.9 x 12.3 x 2.0 (inches)	21.8 x 13.5 x 2.0 (inches)
Weight	With stand	2.7 kg (5.9 lbs)	3.5 kg (7.7 lbs)
	Without stand	2.5 kg (5.5 lbs)	3.3 kg (7.2 lbs)
Power rating		19 V === 1.6 A	19 V === 1.6 A
AC/DC Adapter		Manufacturer: Lien Chang Model: LCAP16A-A, LCAP25A	
		Manufacturer: Honor Model: ADS-40FSG-19 19032GPCU, ADS-40SG-19-2 19032G	
		In: AC 100 - 240 V ~ 50/60 Hz	In: AC 100 - 240 V ~ 50/60 Hz
		Out: 19 V === 1.7 A	Out: 19 V === 1.7 A

MODELS		29LB4510/29LB4505 (29LB4510-PU/29LB4505-PU)
Dimensions (W x H x D)	With stand	668.6 x 457.0 x 182.1 (mm)
		26.3 x 17.9 x 7.1 (inches)
	Without stand	668.6 x 410.5 x 81.9 (mm)
		26.3 x 16.1 x 3.2 (inches)
Weight	With stand	5.6 kg (12.3 lbs)
	Without stand	5.2 kg (11.4 lbs)
Power rating		19 V === 2.2 A
AC/DC Adapter		Manufacturer: Lien Chang Model: LCAP35
		Manufacturer: APD Model: DA-48F19
		In: AC 100 - 240 V ~ 50/60 Hz
		Out: 19 V === 2.53 A

RGB(PC) / HDMI(PC) supported mode

(For 22LB4510)

Resolution	Horizontal Frequency (kHz)	Vertical Frequency (Hz)
720 x 400	31.468	70.080
	31.469	59.940
640 x 480	37.500	75.000
	37.879	60.317
800 x 600	46.875	75.000
	48.363	60.004
	56.476	70.069
1024 x 768	60.023	75.029
	67.500	75.000
1280 x 720	45.000	60.000
1280 x 800	49.702	59.810
1280 x 1024	63.981	60.020
	79.976	75.025
1400 x 1050	65.317	59.978
1440 x 900	55.935	59.887
1600 x 900	60.000	60.000
	64.674	59.883
1680 x 1050	65.290	59.954
	67.500	60.000

(For 24/29LB4510, 29LB4505)

Resolution	Horizontal Frequency (kHz)	Vertical Frequency (Hz)
720 x 400	31.468	70.080
640 x 480	31.469	59.940
	37.500	75.000
800 x 600	37.879	60.317
	46.875	75.000
1024 x 768	48.363	60.004
	60.023	75.029
1280 x 800	49.702	59.810
1366 x 768	47.717	59.79

NOTE

- The optimal display resolution
 - 22LB4510: 1920 x 1080 @ 60 Hz.
 - 24LB4510, 29LB4510, 29LB4505 : 1366 x 768 @ 60 Hz.
- The optimal timing in each mode is vertical frequency 60 Hz.

HDMI (DTV) supported mode

Resolution	Horizontal Frequency (kHz)	Vertical Frequency (Hz)
720 x 480p	31.469	59.940
	31.500	60.000
720 x 576p	31.250	50.000
	37.500	50.000
1280 x 720p	44.960	59.940
	45.000	60.000
	28.125	50.000
1920 x 1080i	33.720	59.940
	33.750	60.000
	27.000	24.000
1920 x 1080p	33.750	30.000
	56.250	50.000
	67.430	59.940
	67.500	60.000

Component port connecting information

Component ports on the TV	Y	P _B	P _R
---------------------------	---	----------------	----------------

Video output ports on DVD player	Y	P _B	P _R
	Y	B-Y	R-Y
	Y	Cb	Cr
	Y	Pb	Pr

Component supported mode

Resolution	Horizontal Frequency (kHz)	Vertical Frequency (Hz)
720 x 480i	15.73	59.94
	15.73	60.00
720 x 480p	31.47	59.94
	31.50	60.00
1280 x 720p	44.96	59.94
	45.00	60.00
1920 x 1080i	33.72	59.94
	33.75	60.00
1920 x 1080p	26.97	23.976
	27.00	24.00
	33.71	29.97
	33.75	30.00
	67.432	59.94
67.500	60.00	

MAINTENANCE

Cleaning your TV

Clean your TV regularly to keep it at peak performance and to extend the product's lifespan.



CAUTION

- Before cleaning, turn the power off and disconnect the power cord and all other cables.
- When the TV is left unattended or unused for a long time, disconnect the power cord from the wall outlet to prevent possible damage from lightning or power surges.

Screen, frame, cabinet, and stand

To remove dust or light dirt, wipe the surface with a dry, clean, and soft cloth.

To remove major dirt, wipe the surface with a soft cloth dampened in clean water or a diluted mild detergent. Then wipe immediately with a dry cloth.



CAUTION

- Do not push, rub, or hit the surface with your fingernail or a sharp object, as this may result in scratches on the screen and image distortions.
- Do not use any chemicals, such as waxes, benzene, alcohol, thinners, insecticides, air fresheners, or lubricants, as these may damage the screen's finish and cause discoloration.
- Do not spray liquid onto the surface. If water enters the TV, it may result in fire, electric shock, or malfunction.

Power cord

Remove the accumulated dust or dirt on the power cord regularly.

TROUBLESHOOTING

Problem	Solution
Cannot control the TV with the remote control.	<ul style="list-style-type: none"> • Check if anything such as tape has been placed over the receiver. • Check if there is any obstacle between the product and the remote control. • Replace the batteries with new fresh ones.
No image display and no sound is produced.	<ul style="list-style-type: none"> • Check if the product is turned on. • Check if the power cord is connected to a wall outlet. • Check if there is a problem in the wall outlet by connecting other products.
The TV turns off suddenly.	<ul style="list-style-type: none"> • Check the power control settings. The power supply may be interrupted. • Check if the Off Time / Sleep Timer feature is activated in the TIME settings. • If there is no signal while the TV is on, the TV will turn off automatically after 15 minutes of inactivity.
Vertical and horizontal lines with net patterns appear on the screen momentarily that are shaking.	<ul style="list-style-type: none"> • Refrain from using electronic devices, such as cordless telephones, hair dryers, or electrical drills near the product. The problem is a result of high-frequencies and strong electro-magnetic fields caused by these devices. • The product may power off if you continue to use it near these devices.
If TV is turned off automatically	<ul style="list-style-type: none"> • If On Time is enabled, the TV will be turned on at the specified time. If you do not operate the TV for two hours, the TV will be turned off automatically. • To disable this function, use your remote control to go to Settings -> TIME -> Auto Off (On Time) -> Off.

CHILD SAFETY:

PROPER TELEVISION PLACEMENT MATTERS



THE CONSUMER ELECTRONICS INDUSTRY CARES

- Manufacturers, retailers and the rest of the consumer electronics industry are committed to making home entertainment safe and enjoyable.
- As you enjoy your television, please note that all televisions – new and old- must be supported on proper stands or installed according to the manufacturer's recommendations. Televisions that are inappropriately situated on dressers, bookcases, shelves, desks, speakers, chests, carts, etc., may fall over, resulting in injury.



TUNE IN TO SAFETY

- **ALWAYS** follow the manufacturer's recommendations for the safe installation of your television.
- **ALWAYS** read and follow all instructions for proper use of your television.
- **NEVER** allow children to climb on or play on the television or the furniture on which the television is placed.
- **NEVER** place the television on furniture that can easily be used as steps, such as a chest of drawers.
- **ALWAYS** install the television where it cannot be pushed, pulled over or knocked down.
- **ALWAYS** route cords and cables connected to the television so that they cannot be tripped over, pulled or grabbed.



WALL OR CEILING MOUNT YOUR TELEVISION

- **ALWAYS** contact your retailer about professional installation if you have any doubts about your ability to safely mount your television.
- **ALWAYS** use a mount that has been recommended by the television manufacturer and has a safety certification by an independent laboratory (such as UL, CSA, ETL).
- **ALWAYS** follow all instructions supplied by the television and mount manufacturers.
- **ALWAYS** make sure that the wall or ceiling where you are mounting the television is appropriate. Some mounts are not designed to be mounted to walls and ceilings with steel studs or cinder block construction. If you are unsure, contact a professional installer.
- Televisions can be heavy. A minimum of two people is required for a wall or ceiling mount installation.



MOVING AN OLDER TELEVISION TO A NEW PLACE IN YOUR HOME

- Many new television buyers move their older CRT televisions into a secondary room after the purchase of a flat-panel television. Special care should be made in the placement of older CRT televisions.
- **ALWAYS** place your older CRT television on furniture that is sturdy and appropriate for its size and weight.
- **NEVER** place your older CRT television on a dresser where children may be tempted to use the drawers to climb.
- **ALWAYS** make sure your older CRT television does not hang over the edge of your furniture.

CE.org/safety





Declaration of Conformity

Trade Name: LG

Model: 22LB4510-PU, 24LB4510-PU,
29LB4510-PU, 29LB4505-PU

Responsible Party: LG Electronics Inc.

Address: 1000 Sylvan Ave. Englewood Cliffs
NJ 07632 U.S.A

TEL: 201-266-2534

LG Customer Information Center

For inquires or comments, visit www.lg.com or call;

1-800-243-0000 USA, Consumer User

1-888-865-3026 USA, Commercial User

1-888-542-2623 CANADA

Register your product Online!

www.lg.com

The model and serial numbers of the TV are located on the back and on one side of the TV. Record them below should you ever need service.

MODEL _____

SERIAL _____



This product qualifies for ENERGY STAR in the factory default (Standard) setting. Changing the factory default settings or enabling other features may increase power consumption that could exceed the limits necessary to quality for ENERGY STAR.

Refer to ENERGY STAR.gov for more information on the ENERGY STAR program.



GUIDE D'UTILISATION

Téléviseur à DEL*

* Les téléviseurs à DEL de LG n'utilisent que des écrans ACL avec rétroéclairage à DEL.

Veuillez lire ce manuel attentivement avant d'utiliser votre téléviseur et le conserver pour pouvoir vous y reporter ultérieurement.

22LB4510
24LB4510
29LB4510
29LB4505

DIRECTIVES DE SÉCURITÉ IMPORTANTES

Conformez-vous toujours aux précautions suivantes pour éviter des situations dangereuses et assurer une performance optimale de votre appareil.



AVERTISSEMENT/MISE EN GARDE

**RISQUE DE CHOC ÉLECTRIQUE,
NE PAS OUVRIR.**



AFIN DE RÉDUIRE LE RISQUE D'ÉLECTROCUTION, NE PAS RETIRER LE COUVERCLE (OU LE PANNEAU ARRIÈRE). AUCUNE PIÈCE POUVANT ÊTRE RÉPARÉE PAR L'UTILISATEUR NE SE TROUVE À L'INTÉRIEUR. SE REPORTER AU PERSONNEL D'ENTRETIEN QUALIFIÉ.

 Le symbole d'éclair avec une flèche, dans un triangle équilatéral, a pour fonction d'alerter l'utilisateur de la présence de « tension dangereuse » non isolée à l'intérieur du boîtier de l'appareil et qui pourrait être d'une puissance suffisante pour causer une électrocution.

 Le point d'exclamation dans un triangle équilatéral est conçu pour alerter l'utilisateur de la présence d'instructions importantes d'utilisation et de maintenance (entretien) dans la documentation accompagnant l'appareil.

AVERTISSEMENT/MISE EN GARDE
- AFIN DE RÉDUIRE LE RISQUE D'INCENDIE ET D'ÉLECTROCUTION, NE PAS EXPOSER CE PRODUIT À LA PLUIE OU À L'HUMIDITÉ.

 **AVERTISSEMENT**
Si vous ignorez le message d'avertissement, vous pourriez vous blesser gravement ou causer un accident ou un décès.

 **MISE EN GARDE**
Si vous ignorez le message de mise en garde, vous pourriez vous blesser légèrement ou endommager le produit.

 **REMARQUE**
Une lecture attentive de ce message avant utilisation vous permet de mieux comprendre le produit et de l'utiliser de façon sécuritaire.

Lisez ces directives.
Conservez ces directives.
Soyez attentif à tous les avertissements.
Suivez toutes les directives.



- N'utilisez pas cet appareil près de l'eau.



- Nettoyez uniquement avec un linge sec.



- Ne bloquez pas les orifices de ventilation. Installez le produit en respectant les directives du fabricant.



- N'installez pas le produit près de sources de chaleur comme les radiateurs, les bouches de chaleur, les fours et tout autre appareil (y compris les amplificateurs) produisant de la chaleur.



- Ne contournez pas la sécurité de la fiche polarisée ou de la mise à la terre. Une fiche polarisée a deux lames, l'une d'elles étant plus large que l'autre. Une fiche de mise à la terre comporte deux lames et une troisième broche de mise à la terre. La lame plus large ou la troisième broche sont fournies pour votre sécurité. Si la fiche fournie ne s'insère pas dans votre prise, consultez un électricien afin de faire remplacer la prise obsolète (peut varier selon le pays).



- Évitez d'appuyer fortement sur l'écran avec une main ou un objet pointu, comme un ongle, un crayon ou un stylo, et évitez d'égratigner l'écran.



- Protégez le cordon d'alimentation de manière à ce que les personnes ne marchent pas dessus et contre les pincements, particulièrement au niveau de la fiche, des prises de courant et à l'emplacement de sortie du cordon sur l'appareil.



- N'utilisez que les articles connexes ou accessoires recommandés par le fabricant.



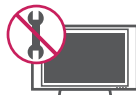
- Utilisez uniquement avec un chariot, un support, un trépied, une fixation ou une table recommandé par le fabricant ou vendu avec l'appareil. Lorsqu'un chariot est utilisé, faites preuve de prudence lors du déplacement du chariot et de l'écran, afin de prévenir les blessures causées par un basculement.



- Débranchez cet appareil pendant les orages électriques ou lorsqu'il n'est pas utilisé pendant de longues périodes.



- Laissez le personnel qualifié se charger de tous les services d'entretien. Faites appel à un fournisseur de services d'entretien lorsque l'appareil a été endommagé d'une quelconque façon, notamment si la fiche ou le cordon d'alimentation est endommagé, si une substance liquide a été déversée sur l'appareil, si des objets sont tombés dans l'appareil, si l'appareil a été exposé à la pluie ou à l'humidité, s'il cesse de fonctionner correctement ou a été échappé.



- N'insérez pas d'objet métallique ou conducteur dans le câble d'alimentation. Ne touchez pas

l'extrémité du cordon d'alimentation lorsqu'il est branché.

- Gardez le matériel anti-humidité et le matériel d'emballage en vinyle hors de la portée des enfants. Le matériel anti-humidité est dangereux pour la santé s'il est avalé. S'il est avalé par erreur, forcez le patient à vomir et rendez-vous à l'hôpital le plus proche. De plus, le matériel d'emballage en vinyle peut entraîner la suffocation. Gardez-le hors de la portée des enfants.
- AVERTISSEMENT relatif au cordon d'alimentation (peut varier selon le pays) :

Il est recommandé de brancher les appareils sur un circuit spécialisé, soit un circuit comportant une seule prise de courant qui alimente seulement cet appareil et ne comporte aucune prise supplémentaire ni aucun circuit de dérivation. Consultez la page des caractéristiques du présent guide d'utilisation pour vous en assurer. Ne branchez pas un trop grand nombre d'appareils dans une même prise d'alimentation c.a.; cela pourrait causer un incendie ou une électrocution. Ne surchargez pas les prises de courant murales. Les prises de courant murales surchargées, les prises de courant murales ou rallonges desserrées ou endommagées, les cordons d'alimentation effilochés ou endommagés et les revêtements de fil fissurés sont dangereux. Chacune de ces conditions peut entraîner des chocs électriques ou provoquer un incendie. Examinez périodiquement le cordon de votre appareil, et si son apparence indique des dommages ou une détérioration, débranchez-le, cessez d'utiliser l'appareil et faites remplacer le cordon par une pièce de remplacement exacte auprès d'un fournisseur de services d'entretien autorisé. Protégez le cordon d'alimentation contre les dommages physiques ou mécaniques. Veillez notamment à ce qu'il ne soit pas tordu, déformé, pincé, coincé dans une porte ou piétiné. Soyez particulièrement attentif aux fiches, aux prises de courant murales et à l'emplacement de sortie du cordon sur l'appareil. Ne déplacez pas le téléviseur avec le cordon d'alimentation branché. N'utilisez pas un cordon d'alimentation endommagé ou desserré. Assurez-vous de saisir la fiche lorsque vous débranchez le cordon d'alimentation. Ne tirez pas sur le cordon d'alimentation pour débrancher le téléviseur.



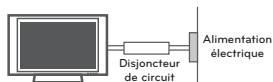
- Avvertissement** - Afin de réduire le risque d'incendie ou d'électrocution, n'exposez pas ce produit à la pluie, à l'humidité ou à d'autres liquides. Ne touchez pas le téléviseur si vos mains sont mouillées. N'installez pas ce produit près d'objets inflammables comme de l'essence ou des chandelles, ni n'exposez le téléviseur directement à l'air conditionné.



- Le moniteur ne doit être exposé à aucune vaporisation ni éclaboussure, et vous devez éviter d'y poser des objets remplis de liquide, comme des vases (par exemple, sur des tablettes au-dessus de l'appareil).

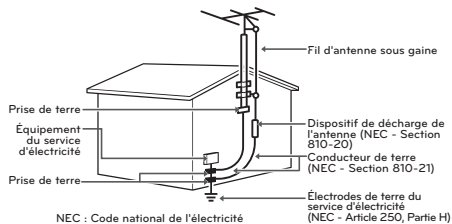


- Mise à la masse**
(Sauf pour les appareils non mis à la terre.)
Assurez-vous de brancher le fil de mise à la masse afin de prévenir tout risque d'électrocution (p. ex., un téléviseur doté d'une fiche c.a. à trois broches avec mise à la masse devrait être branché dans une prise électrique murale c.a. avec mise à la masse). Si la mise à la masse n'est pas possible, un électricien doit installer un disjoncteur de circuit pour la prise. Ne tentez pas de mettre l'appareil à la masse en le raccordant à des câbles téléphoniques, à un paratonnerre ou à des canalisations de gaz.



- Tant que cet appareil est branché sur la prise de courant murale c.a., il n'est pas déconnecté de la source d'alimentation c.a. même s'il est mis hors tension.
- Ne pas tenter de modifier cet appareil d'aucune manière sans avoir obtenu au préalable l'autorisation écrite de LG Electronics. Une modification non autorisée pourrait annuler l'autorisation d'utiliser cet appareil.
- Mise à la masse d'antennes extérieures**
(peut varier selon le pays) :
Si une antenne extérieure est installée, suivez les précautions ci-dessous. Un système d'antennes extérieures ne devrait pas se trouver à proximité des lignes aériennes d'électricité, d'autres éclairages électriques ou de circuits d'alimentation, ou à un endroit où il peut entrer en contact avec de telles lignes électriques ou de tels circuits d'alimentation, puisque des blessures graves, voire la mort, pourraient se produire. Assurez-vous que le système d'antennes est mis à la terre, afin de fournir une certaine protection contre les surtensions et les accumulations de charge d'électricité statique. La section 810 du Code national de l'électricité (NEC) aux États-Unis fournit des renseignements relatifs à la procédure conforme de mise à la terre du mât et de la structure d'appui, du câble d'entrée à l'élément de sortie antenne, au format des fils de terre, à la position de l'élément de sortie antenne, au branchement des électrodes de masse, ainsi qu'aux exigences de mise à la masse de l'électrode.

Mise à la terre de l'antenne en vertu du code électrique national, ANSI/NFPA 70



- Nettoyage**
Lors du nettoyage, débranchez le cordon d'alimentation et essuyez l'appareil avec un linge doux pour éviter de le rayer. Ne vaporisez pas d'eau ou d'autres liquides directement sur le téléviseur, car cela pourrait causer une électrocution. Ne nettoyez pas avec des produits chimiques comme de l'alcool, des solvants et du benzène.
- Déplacement**
Assurez-vous que l'appareil est hors tension, débranché et que tous les câbles ont été retirés. Deux personnes ou plus peuvent être requises pour porter les téléviseurs d'une certaine taille. N'appliquez aucune pression (provenant de vous-même ou d'un élément extérieur) sur le panneau avant du téléviseur.
- Ventilation**
Installez votre téléviseur à un endroit où la ventilation est suffisante. N'installez pas dans un espace confiné comme une bibliothèque. Ne couvrez pas ce produit d'un drap ou d'autres matériaux lorsqu'il est branché. N'installez pas à un endroit excessivement poussiéreux.
- Si vous sentez une odeur de fumée ou d'autres odeurs provenant du téléviseur, débranchez le cordon d'alimentation et contactez un centre de services autorisé.
- Évitez que le produit ne soit exposé à la lumière solaire directe.
- Ne touchez jamais cet appareil ou cette antenne pendant un orage.
- Lors du montage du téléviseur au mur, assurez-vous de ne pas le suspendre à l'aide du câble de signal ou d'alimentation se trouvant à l'arrière du téléviseur.
- Évitez de heurter l'appareil et assurez-vous qu'aucun objet ne tombe dans celui-ci ou n'entre en contact avec l'écran.
- Débranchement d'un appareil de l'alimentation principale**
La prise d'alimentation de cet appareil doit être accessible en tout temps.
- Assurez-vous de ranger les accessoires (pile ou autre) dans un lieu sûr et hors de portée des enfants.
- Cet appareil fonctionne avec des piles. Il est possible que les règlements de votre communauté en matière d'environnement vous obligent à mettre ces piles au rebut en respectant certaines règles. Veuillez communiquer avec les autorités locales pour plus de renseignements sur la mise au rebut ou le recyclage des piles usagées.
- Ne jetez pas les piles dans le feu.
- Ne court-circuitez pas les piles, ne les démontez pas et ne les laissez pas surchauffer.

- **Défauts de points**

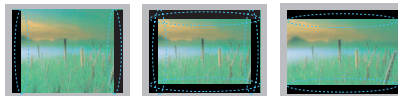
Un écran plasma ou ACL est un produit de haute technologie présentant une résolution de deux à six millions de pixels. Dans de rares cas, on pourrait voir de petits points sur l'écran lors du visionnement. Ces points sont des pixels désactivés ne nuisant pas à la performance et à la fiabilité du téléviseur.

- **Son produit**

« Craquement » : un craquement survenant pendant le visionnement ou lors de l'arrêt du téléviseur est produit par une contraction thermique plastique causée par la chaleur ou l'humidité. Ce bruit est courant dans les produits où une déformation thermique est requise.
Bourdonnement de circuit ou de panneau électrique : un bruit très faible est produit par un circuit commutateur haute vitesse fournissant une grande quantité de courant pour faire fonctionner un appareil. Il varie selon l'appareil.
Ce son ne nuit aucunement à la performance ou à la fiabilité de l'appareil.

- Prenez soin de ne pas toucher aux ouvertures de ventilation. Lorsque le téléviseur fonctionne pendant de longues périodes, les ouvertures de ventilation peuvent devenir chaudes. Cela ne nuit aucunement à la performance de l'appareil et ne l'endommage pas.
- Ne pas installer ce produit sur un mur où il pourrait être exposé à l'huile ou au brouillard d'huile; cela peut l'endommager et provoquer sa chute.
- Si le téléviseur est froid au toucher, il peut y avoir un léger « sautillerment » quand on l'allume. Cela est normal; le téléviseur n'est pas défectueux. Pendant quelques minutes, des défauts de points peuvent être visibles à l'écran, apparaissant comme de petites taches rouges, vertes ou bleues. Toutefois, ils ne produisent aucun effet indésirable sur la performance du téléviseur. Évitez de toucher l'écran ACL ou de mettre vos doigts dessus pendant une longue période de temps. Cela pourrait produire un effet de distorsion à l'écran.

Prévention des images fantômes ou rémanentes sur l'écran de votre téléviseur



- Une image figée à l'écran pendant de longues périodes peut causer une image fantôme et endommager définitivement votre écran. Ce phénomène n'est pas couvert par la garantie.
- Si le format d'image de votre téléviseur est réglé sur 4:3 pendant une période prolongée, il est possible qu'une image rémanente apparaisse dans la zone propre à ce format.
- Pour éviter tout problème d'image rémanente, évitez de laisser une image fixe affichée à l'écran pendant des périodes prolongées (2 heures ou plus pour les écrans ACL, 1 heure ou plus pour les téléviseurs à plasma).

Pour les États-Unis et le Canada

RENSEIGNEMENTS RELATIFS À LA RÉGLEMENTATION FCC

Cet équipement a été testé et jugé conforme aux limites relatives aux appareils numériques de catégorie B imposées par le paragraphe 15 de la réglementation de la FCC. Ces limites sont établies pour fournir une protection raisonnable contre les interférences nuisibles en installation résidentielle. Cet équipement génère, utilise et peut diffuser de l'énergie de radiofréquences et, s'il n'est pas installé et utilisé conformément aux instructions, peut causer des interférences nuisibles aux communications radio. Cependant, il n'existe aucune garantie qu'il n'y aura pas d'interférences dans une installation particulière. Si cet équipement cause des interférences nuisibles à la réception radio ou télévision (pour s'en assurer, il suffit d'éteindre et de rallumer l'appareil), l'utilisateur est invité à essayer de corriger les interférences par l'une ou plusieurs des mesures suivantes :

- Réorienter ou déplacer l'antenne de réception.
- Augmenter la distance entre l'équipement et le récepteur.
- Brancher l'équipement sur un circuit électrique distinct de celui qui alimente le récepteur.
- Consulter le distributeur ou un technicien radio/télé qualifié pour vous aider.

Cet appareil est conforme aux limites imposées par le paragraphe 15 de la réglementation FCC. Son utilisation est sujette aux deux conditions suivantes : (1) cet appareil ne doit pas provoquer de brouillage préjudiciable, et (2) cet appareil doit accepter toutes les interférences reçues, y compris celles pouvant causer un fonctionnement indésirable. Les modifications dans la fabrication de cet appareil qui ne sont pas expressément approuvées par l'autorité responsable de la conformité peuvent annuler l'autorisation accordée à l'utilisateur de faire fonctionner l'équipement.

REMARQUE À L'INTENTION DES INSTALLATEURS DE RÉSEAUX CÂBLÉS

Nous désirons attirer l'attention des installateurs de réseaux câblés sur l'article 820-40 du Code national de l'électricité (NEC) concernant la mise à la terre de tels réseaux, et en particulier sur le fait que le câble doit être relié à l'installation de mise à la terre du bâtiment aussi près que possible de son point d'entrée.

Pour les États-Unis

Politique de recyclage de LG

LG Electronics offre un service personnalisé de retour et de recyclage des déchets électroniques qui répond à la réglementation locale lorsque celle-ci existe et propose volontairement le retour et le recyclage des produits et des emballages dans certains pays. LG Electronics évalue le potentiel de recyclage de ses produits au moment de leur conception à l'aide d'un outil d'évaluation spécialement conçu par LG afin d'offrir dans la mesure du possible des produits plus écologiques. Grâce à ces initiatives, LG souhaite prouver son engagement dans la protection des ressources naturelles et le respect de l'environnement. Pour en savoir plus au sujet de la politique de recyclage de LG, veuillez visiter notre site global à l'adresse

<http://www.lg.com/global/sustainability/environment/take-back-recycling>

LICENCES

Les licences prises en charge peuvent différer selon le modèle. Pour plus de renseignements sur les licences, visitez le site www.lg.com.



Fabriqué sous licence de Dolby Laboratories. Dolby et le symbole double-D sont des marques déposées de Dolby Laboratories.



The terms HDMI and HDMI High-Definition Multimedia Interface, and the HDMI logo are trademarks or registered trademarks of HDMI Licensing LLC in the United States and other countries.

AVIS CONCERNANT LES LOGICIELS LIBRES

Pour obtenir le code source conformément aux dispositions de la licence publique générale, de la licence publique générale limitée, de la licence publique Mozilla et de toute autre licence régissant les logiciels à code source libre contenus dans cet appareil, visitez le site <http://opensource.lge.com>.

En plus du code source, toutes les dispositions de licence, les clauses de non-garantie et les avis de droits d'auteurs peuvent aussi être téléchargés.

LG Electronics mettra également à votre disposition le code source libre sur CD-ROM pour un prix couvrant le coût de la distribution (coût du support, de l'expédition et de la maintenance) sur simple demande par courriel à l'adresse opensource@lge.com. Cette offre est valable pendant les trois (3) années suivant la date d'achat du produit.



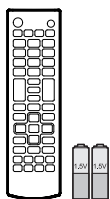
REMARQUES

- L'image affichée peut différer de celle qui apparaît sur votre téléviseur.
- L'affichage à l'écran de votre téléviseur pourrait être légèrement différent de celui illustré dans le présent manuel.
- Les menus et options disponibles peuvent différer selon la source d'entrée ou le modèle de produit que vous utilisez.
- De nouvelles fonctionnalités pourraient être ajoutées à ce téléviseur dans le futur.
- Le téléviseur peut être placé en mode veille pour réduire la consommation d'électricité. De plus, en cas de non-utilisation prolongée, il est recommandé de mettre hors tension votre téléviseur afin d'économiser de l'énergie.
- En cours d'utilisation, la consommation énergétique de votre téléviseur peut être considérablement limitée en réduisant le niveau de brillance de l'image, ce qui diminuera également le coût global.

ASSEMBLAGE ET PRÉPARATION

Déballage

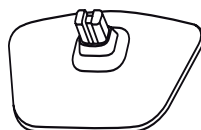
Assurez-vous que les articles suivants se trouvent bien dans votre boîte. S'il manque des accessoires, communiquez avec le détaillant local chez qui vous avez acheté le produit. Les illustrations du présent manuel peuvent différer du produit et des accessoires réels.



Télécommande,
piles (AAA)



Guide d'utilisation



Base du support
(Pour 22/24LB4510)

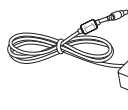


Base du support
(Pour 29LB4510/4505)

(Selon le modèle)

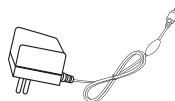


Cordon
d'alimentation



Adaptateur c.a./c.c.

ou



Adaptateur c.a./c.c.
(Selon le modèle)

FRANÇAIS



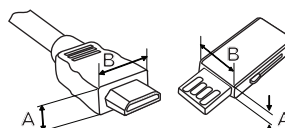
MISE EN GARDE

- Afin de garantir la sécurité et la durée de vie de l'appareil, n'utilisez pas d'articles non approuvés.
- Tout dommage ou blessure causé par l'utilisation d'un article non approuvé n'est pas couvert par la garantie.
- Sur certains modèles, l'écran est protégé par une fine pellicule.. Celle-ci fait partie de l'écran et ne doit pas être retirée.



REMARQUES

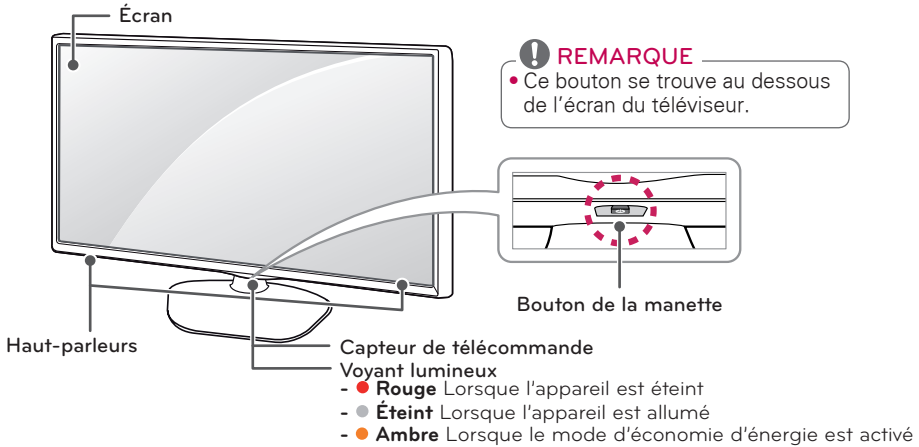
- Les accessoires fournis avec votre produit peuvent varier selon le modèle.
- Les caractéristiques du produit ou le contenu de ce manuel peuvent être modifiés sans préavis, pour refléter la mise à niveau des fonctions du produit.
- Pour que la connexion soit optimale, les connecteurs des câbles HDMI et des dispositifs USB devraient avoir un rebord de moins de 10 mm (0,39 pouce) d'épaisseur et de moins de 18 mm (0,7 pouce) de largeur.
- Si le câble ou la clé USB ne rentre pas dans le port USB de la télé, servez-vous d'un câble de rallonge compatible USB 2.0.



*A ≤ 10 mm (0.39 inches)
*B ≤ 18 mm (0.7 inches)

Pièces et touches

(Pour 22/24LB4510)



Utilisation du bouton de la manette

Vous pouvez commander le téléviseur en appuyant sur le bouton ou en déplaçant la manette vers la gauche, la droite, le haut ou le bas.

Fonctions de base

	Mise sous tension	Lorsque le téléviseur est éteint, appuyez une fois sur le bouton de la manette et relâchez-le.
	Mise hors tension	Lorsque le téléviseur est allumé, appuyez sur le bouton de la manette pendant quelques secondes et relâchez-le. (Cependant, si le bouton Menu est sur l'écran, en appuyant et en maintenant le bouton de la manette vous permettra de quitter le menu.)
	Réglage du volume	Vous pouvez régler le volume au niveau désiré en déplaçant le bouton de la manette vers la gauche ou la droite avec votre doigt.
	Contrôle des canaux	Vous pouvez parcourir les canaux enregistrés en déplaçant le bouton de la manette vers le haut ou le bas avec votre doigt.

REMARQUE

- Lorsque vous déplacez le bouton de la manette vers le haut, le bas, la gauche ou la droite, prenez garde de ne pas l'enfoncer. Si vous appuyez d'abord sur le bouton de la manette, vous ne pourrez pas régler le volume ni parcourir les canaux enregistrés.

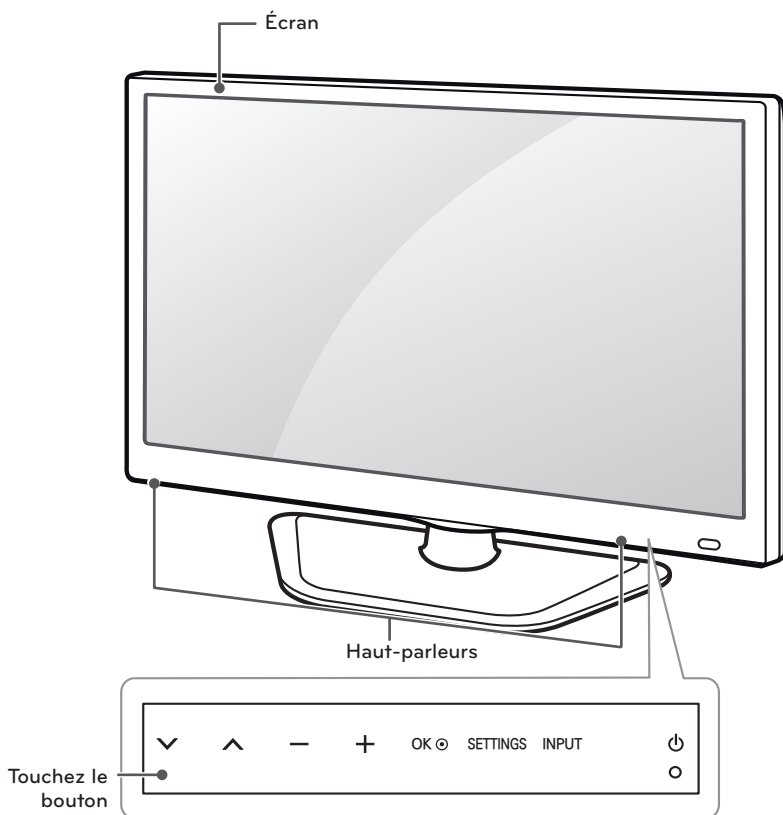
Réglage du menu

Lorsque le téléviseur est allumé, appuyez une fois sur le bouton de la manette. Vous pouvez régler les éléments du menu (⏻, ⚙️, ✖️, 📺) en déplaçant le bouton de la manette vers le haut, le bas, la gauche ou la droite.

		Éteindre le téléviseur	Met l'appareil hors tension.
		Réglage	Permet d'accéder au menu principal.
		Entrée	Change de source d'entrée.
		Fermer	Efface ce qui est affiché à l'écran et retourne au visionnement de la télévision.

FRANÇAIS

(Pour 29LB4510/4505)



FRANÇAIS

Touchez le bouton	Description
▼ / ▲	Parcourt les chaînes enregistrées.
- / +	Règle le volume.
OK Ⓞ	Accepte l'option de menu sélectionnée ou confirme une entrée.
SETTINGS	Permet d'accéder aux menus principaux ou d'enregistrer votre sélection et de quitter les menus.
INPUT	Change de source d'entrée.
⏻	Allume l'appareil ou le met hors tension.

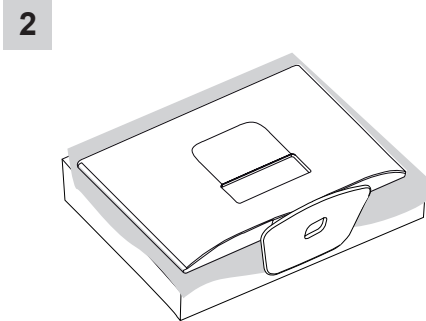
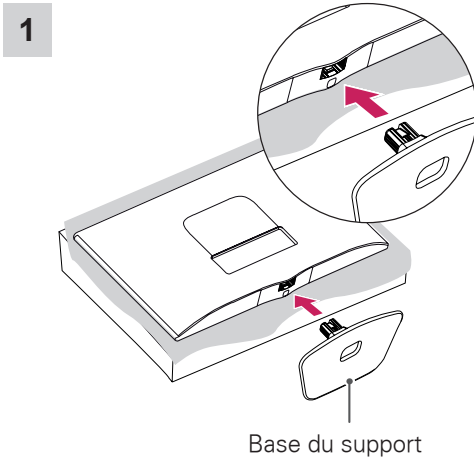
! REMARQUE

- Tous les boutons sont sensibles tactile et peut être actionné par simple toucher avec votre doigt.

Installation du téléviseur

L'image affichée peut différer de celle qui apparaît sur votre téléviseur.

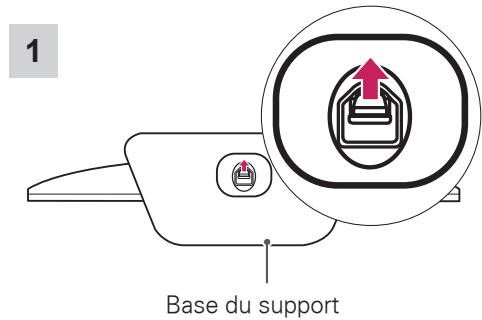
Fixation du support



MISE EN GARDE

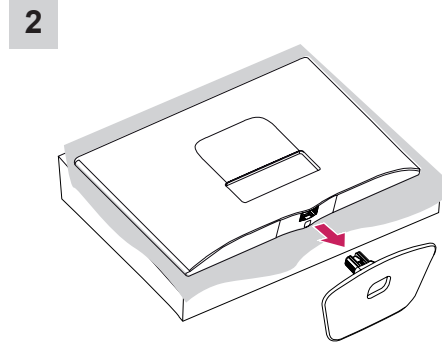
- Lors de la fixation du support, posez le téléviseur, écran vers le bas, sur une table matelassée ou sur une surface plane pour prévenir les risques de rayures.

Retrait du support



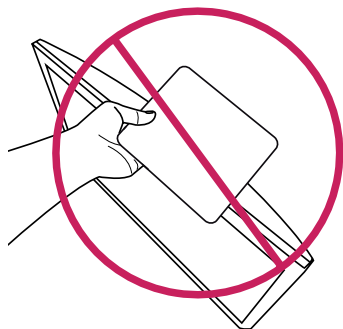
REMARQUE

- Soulevez le loquet de la partie inférieure de la base du support et retirez la base du téléviseur.



MISE EN GARDE

- Ne transportez pas le téléviseur à l'envers car il pourrait se détacher de son support, ce qui pourrait l'endommager ou provoquer des blessures.
- Cette illustration montre un exemple d'installation standard; l'apparence de votre produit peut être différente.

**Soulèvement et déplacement du téléviseur**

Lorsque vous désirez déplacer ou soulever le téléviseur, lisez tout d'abord ce qui suit pour éviter d'égratigner ou d'endommager le téléviseur, ainsi que pour effectuer un transport sécuritaire sans égard au type et à la taille du téléviseur.

MISE EN GARDE

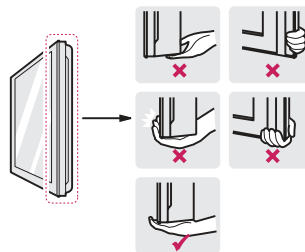
- Évitez en tout temps de toucher l'écran, puisque cela pourrait causer des dommages à l'écran ou à certains des pixels utilisés pour créer les images.
- Ne déposez pas la partie avant du produit directement sur le sol. Cela pourrait endommager l'écran.

- Il est recommandé de déplacer le téléviseur en utilisant la boîte ou le matériel d'emballage dans lequel il a été livré à l'origine.
- Avant de déplacer ou de soulever le téléviseur, débranchez le cordon d'alimentation et tous les câbles.

- Lorsque vous manipulez le téléviseur, vous devriez l'orienter pour que l'écran ne soit pas de votre côté, pour éviter de l'endommager.



- Tenez fermement le haut et le bas du cadre du téléviseur. Assurez-vous de ne pas tenir la partie transparente, le haut-parleur ou la grille de haut-parleur du téléviseur.



- Lorsque vous transportez le téléviseur, évitez de l'exposer à des chocs ou à des vibrations excessives.

- Lorsque vous transportez le téléviseur, maintenez-le à la verticale; ne le tournez jamais sur le côté et ne le penchez pas à gauche ou à droite.

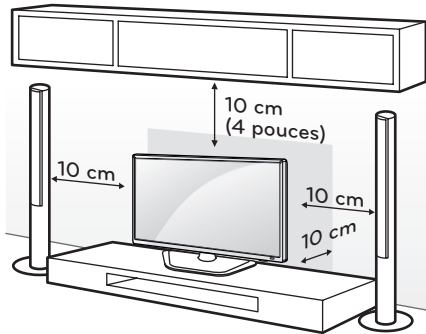
MISE EN GARDE

- Lorsque vous manipulez le téléviseur, assurez-vous de ne pas endommager le bouton de la manette. (selon le modèle)

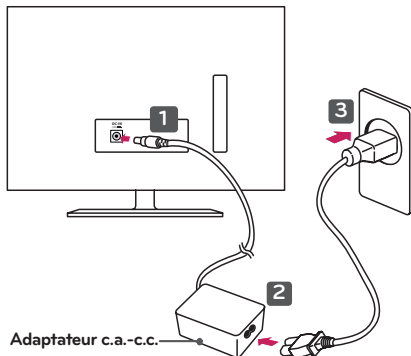


Montage sur une table

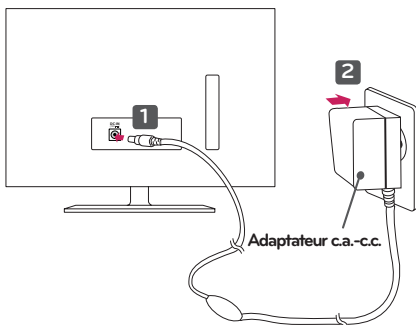
- 1 Soulevez et inclinez le téléviseur dans sa position verticale sur une table.
 - Laissez un espace de 10 cm (4 pouces) (minimum) entre le mur et le téléviseur pour une ventilation adéquate.



- 2 Branchez l'adaptateur c.a.-c.c. et le cordon d'alimentation à une prise murale.



ou



⚠ MISE EN GARDE

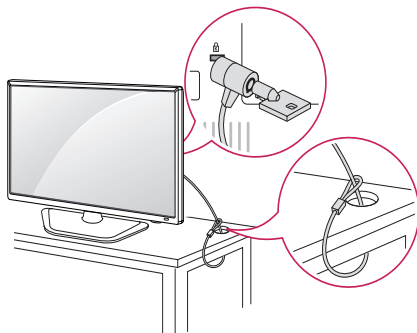
- Ne placez pas le téléviseur près de sources de chaleur ou sur celles-ci, car cela pourrait causer un incendie ou d'autres dommages.
- Veillez à raccorder le téléviseur à l'adaptateur c.a./c.c. avant de brancher le câble d'alimentation du téléviseur sur une prise murale.

Utilisation du système de sécurité**Kensington(facultatif)**

(Selon le modèle)

Le connecteur du système de sécurité Kensington se trouve sur l'arrière du téléviseur. Pour plus d'information sur l'installation et l'utilisation de ce système, reportez-vous au manuel fourni avec le système de sécurité Kensington ou visitez le site <http://www.kensington.com>.

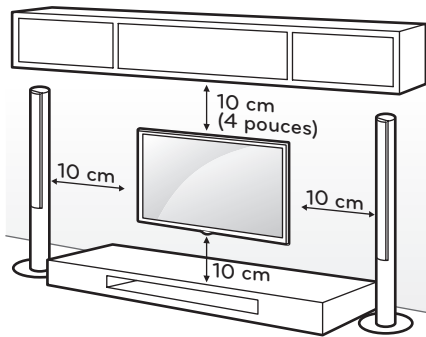
Connectez le câble du système de sécurité Kensington au téléviseur et à une table.

**REMARQUE**

- Le système de sécurité Kensington est facultatif. Vous pouvez obtenir des accessoires supplémentaires auprès de la plupart des magasins de produits électroniques.

Montage au mur

Une fixation murale optionnelle peut être utilisée pour fixer votre téléviseur LG. Consultez votre détaillant local pour obtenir une fixation murale qui répond aux normes VESA de votre modèle de téléviseur. Fixez soigneusement le support de fixation murale au dos de votre téléviseur. Installez-le à un mur solide qui est perpendiculaire au sol. Si vous fixez le téléviseur à d'autres matériaux de construction, veuillez contacter le personnel qualifié pour installer la fixation murale. Des directives détaillées seront comprises avec la fixation murale. Nous vous recommandons d'utiliser une fixation murale de marque LG.

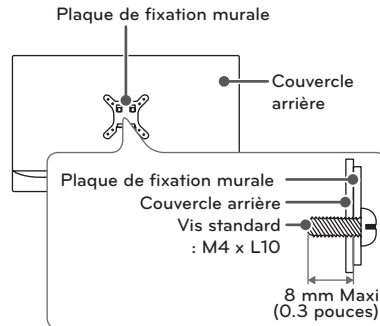


Assurez-vous d'utiliser les vis et les fixations murales qui répondent aux normes VESA. Les dimensions standards des trouses de fixation murale sont indiquées dans le tableau suivant.

Modèle	22LB4510 24LB4510	29LB4510 29LB4505
VESA (A x B)	75 x 75	100 x 100
Vis standard	M4 x L10	
Nombre de vis	4	
Fixation murale (facultative)	RW120	

⚠ MISE EN GARDE

- Débranchez tout d'abord l'alimentation, puis déplacez ou installez le téléviseur. Sinon, cela pourrait causer une électrocution.
- Si vous installez le téléviseur sur un plafond ou un mur incliné, il pourrait tomber et causer de graves blessures. Utilisez une fixation murale autorisée par LG et communiquez avec votre détaillant local ou du personnel qualifié.
- Ne serrez pas trop les vis, car cela pourrait endommager le téléviseur et annuler votre garantie.
- Utilisez les vis et les fixations murales qui répondent aux normes VESA. Tout dommage ou blessure résultant d'un usage abusif ou de l'utilisation d'un accessoire inapproprié n'est pas couvert par la garantie.
- La longueur de la vis depuis la surface externe du couvercle arrière doit être inférieure à 8 mm.



FRANÇAIS

! REMARQUES

- Utilisez uniquement des vis qui sont répertoriées dans les caractéristiques de la norme VESA.
- La trousse de fixation murale comprend un manuel d'installation et les pièces nécessaires.
- Le support mural est disponible en option. Vous pouvez obtenir des accessoires supplémentaires de votre détaillant local.
- La longueur des vis peut varier selon la fixation murale. Assurez-vous d'utiliser la longueur appropriée.
- Pour de plus amples informations, reportez-vous au manuel livré avec la fixation murale.

ÉTABLISSEMENT DES CONNEXIONS

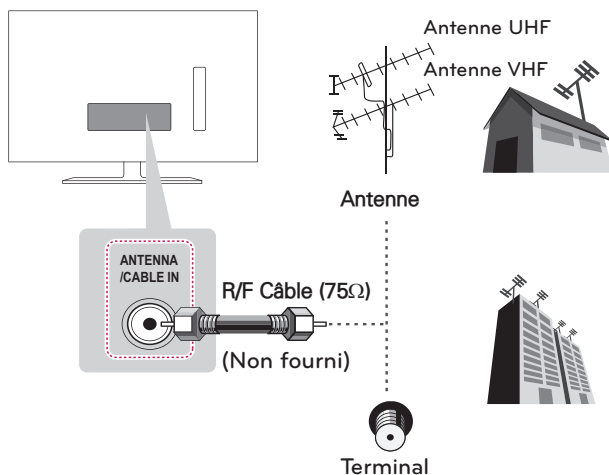
Vous pouvez brancher différents appareils externes au téléviseur. Les appareils externes compatibles sont les suivants : récepteurs HD, lecteurs DVD, magnétoscopes, systèmes audio, dispositifs de stockage USB, PC, consoles de jeu et autres dispositifs externes. Pour en savoir plus sur la connexion d'appareils externes, reportez-vous au manuel accompagnant chaque appareil.

! REMARQUES

- Si vous enregistrez un programme télévisé à l'aide d'un enregistreur de DVD ou d'un magnétoscope, assurez-vous de brancher le câble de signal télévisé au téléviseur par l'intermédiaire de l'enregistreur ou du magnétoscope. Pour en savoir plus sur l'enregistrement, reportez-vous au manuel fourni avec l'appareil connecté.
- Les branchements de l'appareil externe peuvent différer légèrement des illustrations de ce manuel.
- Branchez les appareils externes sur le téléviseur indépendamment de l'ordre du port TV.
- Si vous branchez une console de jeu au téléviseur, utilisez le câble fourni avec la console.
- Pour en savoir plus, reportez-vous au manuel d'utilisation de l'appareil externe.

Raccordement à une antenne ou au câble

Branchez le téléviseur à une antenne, au câble ou à un câblodistributeur pour regarder la télévision en vous référant à ce qui suit. Les illustrations peuvent différer des articles réels et l'utilisation d'un câble RF est facultative.



FRANÇAIS

! MISE EN GARDE

- Assurez-vous de ne pas plier le fil de cuivre du câble RF.



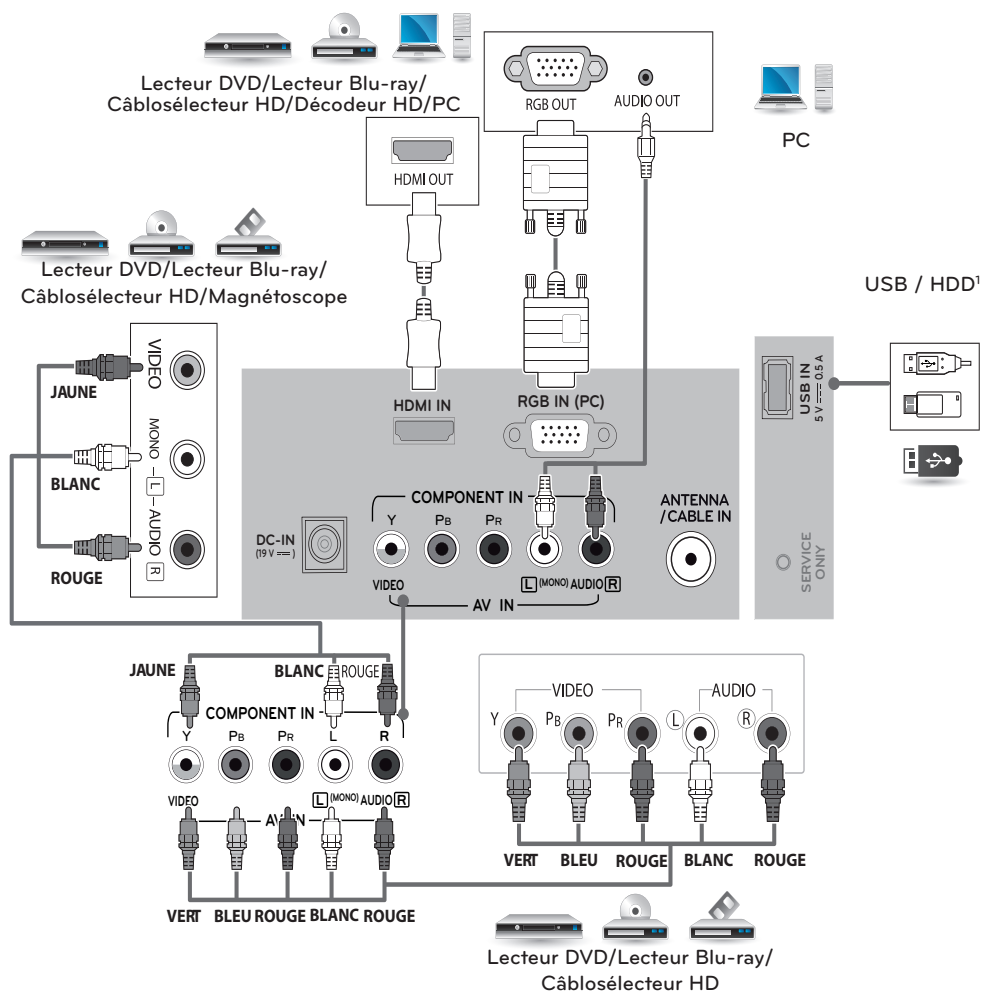
- Pour éviter d'endommager votre téléviseur, faites d'abord tous les branchements entre les appareils, puis branchez le cordon d'alimentation dans la prise d'alimentation.

! REMARQUES

- Servez-vous d'un dispositif d'aiguillage des signaux pour utiliser plus de deux téléviseurs.
- Codecs audio DTV pris en charge : MPEG, Dolby Digital.

Autres connexions

Branchez votre téléviseur à des appareils externes. Pour obtenir l'image et le son de la meilleure qualité, branchez les appareils numériques à l'aide d'un câble HDMI, comme indiqué. Selon le modèle, un câble pourrait être fourni.



FRANÇAIS

1 Le port USB permet de prendre en charge un courant électrique de 0,5 A. Si vous avez besoin d'un courant électrique plus important pour utiliser un disque dur, utilisez l'adaptateur de courant offert séparément.

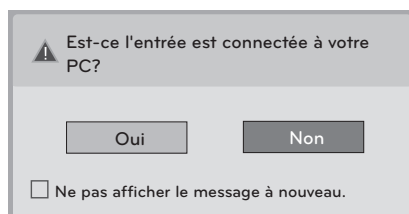
Connexion à un PC

! REMARQUES

- Pour une qualité d'image optimale, il est recommandé d'utiliser la connexion HDMI du téléviseur.
- Si vous n'utilisez pas de haut-parleur externe en option, branchez l'appareil externe au téléviseur au moyen d'un câble audio en option.
- Si vous allumez le téléviseur lorsque celui-ci est froid, il est possible que l'écran clignote. Ceci est normal.
- Des pixels rouges, verts ou bleus peuvent apparaître à l'écran. Ceci est normal.
- Branchez le câble d'entrée du signal et serrez-le en tournant les vis dans le sens des aiguilles d'une montre.
- N'appuyez pas sur l'écran avec votre doigt pendant une période prolongée, car cela risquerait de produire un effet de distorsion temporaire à l'écran.
- Pour éviter tout problème d'image rémanente, évitez de laisser une image fixe affichée à l'écran pendant des périodes prolongées. Utilisez un économiseur d'écran, lorsque c'est possible.
- Lors de l'utilisation du câble HDMI/DVI, seule une liaison unique est prise en charge.

! REMARQUES

- Si vous souhaitez utiliser le mode HDMI-PC, vous devez régler l'entrée sur le mode PC.
- L'afficheur est affiché sur l'écran, comme ci-dessous.
 - » lorsque le téléviseur est allumé et qu'une entrée **HDMI** est sélectionnée.
 - » à la sélection d'une entrée **HDMI**.



- Si vous sélectionnez **Oui**, le format et la qualité d'image sont optimisés pour votre PC.
- Si vous sélectionnez **Non**, le format et la qualité d'image sont optimisés pour l'appareil audio-vidéo (lecteur DVD, boîtier décodeur numérique, console de jeu).
- Si vous sélectionnez **Ne pas afficher le message à nouveau.**, le message ne s'affichera plus jusqu'à ce que le téléviseur soit réinitialisé. Vous pouvez modifier la valeur configurée dans **SETTINGS ► OPTION ► Étiquette entrée**

TÉLÉCOMMANDE

Les descriptions fournies dans ce manuel font référence aux touches de la télécommande. Veuillez lire le présent manuel attentivement et utiliser le téléviseur correctement. Pour changer les piles, ouvrez le couvercle de leur compartiment et insérez des piles (AAA de 1,5 volt) en faisant correspondre les bornes ⊕ et ⊖ à ce qui figure sur l'étiquette à l'intérieur du compartiment, puis remettez le couvercle en place. Pour retirer les piles, suivez le processus ci-dessus à l'envers.



⚠ MISE EN GARDE

- N'utilisez pas une combinaison de piles usées et neuves, car cela pourrait endommager la télécommande.

Assurez-vous d'orienter la télécommande vers le capteur de télécommande du téléviseur.

	<p>⏻ (POWER) Allume ou éteint le téléviseur.</p> <p>TV/PC Sélectionne le mode TV ou PC.</p> <p>CAPTION Active ou désactive les sous-titres.</p> <p>AV MODE Sélectionne un mode audio-vidéo.</p> <p>RATIO Redimensionne une image.</p> <p>⏪ INPUT Sélectionne le mode de signal d'entrée.</p>
	<p>Touches numériques Permettent d'entrer des chiffres.</p> <p>— (Tiret) Insère un tiret entre des chiffres, comme 2-1 et 2-2.</p> <p>LIST Affiche la liste des chaînes enregistrées.</p> <p>FLASHBK Permet d'alterner entre les deux dernières chaînes sélectionnées (en appuyant de façon répétée).</p> <p>+ VOL — Règle le volume.</p> <p>FAV Affiche la liste de vos chaînes favorites.</p>
	<p>AUDIO Signal numérique: Modifie la langue audio.</p> <p>Signal analogique: Permet de modifier le son MTS.</p> <p>MUTE Coupe le son.</p> <p>^ CH v Permet de parcourir les chaînes enregistrées.</p> <p>^ PAGE v Affiche l'écran précédent ou suivant.</p>
	<p>PICTURE Modifie le mode d'image.</p> <p>INFO ⓘ Affiche des informations sur le programme en cours.</p> <p>SOUND Modifie le mode audio.</p> <p>SETTINGS Permet d'accéder au menu principal.</p> <p>Q.MENU Permet d'accéder aux raccourcis.</p>
	<p>Touches de navigation (▲, ▼, ◀, ▶) Permettent de parcourir les menus ou les options.</p> <p>OK Permet de sélectionner des menus ou des options et de confirmer votre choix.</p> <p>⏪ BACK Permet de revenir à l'écran précédent.</p> <p>EXIT Supprime tout ce qui est affiché à l'écran et permet de revenir au visionnement de la télévision.</p>
	<p>* Non fonctionnel.</p> <p>SLEEP Permet de programmer l'arrêt du téléviseur après un certain délai.</p> <p>Touches de la télécommande Commandent les appareils compatibles (USB).</p> <p> Permettent d'accéder à des fonctions spéciales dans certains menus.</p> <p>— + (Rétroéclairage) Règle la brillance de l'écran en commandant son rétroéclairage.</p>

PARAMÈTRES

Réglage automatique des chaînes

SETTINGS ⇨ CANAL → Syntonisation auto

Permet de mémoriser automatiquement les chaînes en cours de diffusion.

- Les chaînes ne seront pas mémorisées correctement si l'antenne ou le câble ne sont bien installés.
- L'option **Syntonisation auto** mémorise les chaînes en cours de diffusion.
- Si la fonction **Vérouillage** est activée, une fenêtre contextuelle s'affiche et vous demande le mot de passe.

Utilisation du mode d'économie d'énergie

SETTINGS ⇨ IMAGE → Économie dénergie

Permet de réduire la consommation d'énergie en réglant la brillance de l'écran.

- **Arrêt** désactive la fonction Économie d'énergie.
- **Minimum/Moyen/Maximum** permet d'appliquer un des types prédéfinis de la fonction Économie d'énergie.
- **Écran désactivé** l'écran est éteint, mais le son est audible. Appuyez sur n'importe quelle touche de la télécommande, à l'exception de l'interrupteur, pour rallumer l'écran.

Sélection du mode image

SETTINGS ⇨ IMAGE → Mode image

Sélectionnez le mode image optimisé pour l'environnement de visionnement ou le programme.

- **Clair** Règle l'image vidéo pour un environnement de vente au détail en rehaussant le contraste, la brillance, la couleur et la netteté.
- **Standard** Règle l'image pour un environnement normal.
- **APS** La fonction d'économie d'énergie modifie les paramètres de la télé de façon à réduire la consommation.
- **Film** L'image est optimisée pour profiter d'une expérience proche de celle du cinéma lorsque vous regardez des films.
- **Jeu** L'image est optimisée pour l'action rapide des jeux ou des PC.
- **Photo** Affiche l'image optimale pour les

photos (image fixe).

- **Proficient 1, 2** Ajuste les réglages d'image vidéo détaillés, tant pour les experts en vidéo que pour le grand public.
- Si vous appuyez sur n'importe quelle touche de la télécommande, l'écran se rallume.

Réglage du contrôle avancé

SETTINGS ⇨ IMAGE → Mode image → Contrôle avancé/Contrôle expert

L'écran peut être étalonné pour chaque mode image. Les réglages image peuvent être ajustés pour les écrans spéciaux.

Sélectionnez tout d'abord le **Mode image** souhaité.

- **Contraste dynamique** Permet d'obtenir un contraste optimal en fonction de la luminosité de l'image.
- **Couleur dynamique** Permet d'obtenir des couleurs plus naturelles.
- **Couleur revêtement** Le spectre de couleurs de la peau peut être réglé séparément afin de permettre à l'utilisateur de définir la couleur de la peau.
- **Couleur de l'herbe** Le spectre des couleurs naturelles (prairies, collines, etc.) peut être réglé séparément.
- **Couleur du ciel** La couleur du ciel est réglée séparément.
- **Gamme** Règle la courbe de gradation en fonction de la sortie du signal d'image par rapport au signal d'entrée.
- **Gamme de couleurs** Permet de sélectionner la gamme de couleurs qui peuvent être produites.
- **Amélioration des contours** Permet d'afficher des contours plus clairs et plus distincts mais naturels de la vidéo.
- **Filtre couleur** Filtre un spectre de couleurs RGB particulières afin de définir précisément la teinte et la saturation des couleurs.
- **Température couleur** Permet d'ajuster la tonalité globale de l'écran. En mode Expert, les réglages précis peuvent se faire par la méthode gamma, notamment.
- **Système gérance des couleur** Ce système est utilisé par les experts pour régler la couleur à l'aide d'un tracé de test. Ils peuvent choisir parmi six domaines de couleur (rouge/vert/bleu/cyan/magenta/jaune) sans affecter les autres couleurs. Pour les images normales, les réglages

peuvent ne pas produire des changements de couleur perceptibles.

- Selon le signal d'entrée ou d'autres réglages de l'image, les possibilités de réglage peuvent différer.

Réglage des options d'image supplémentaires

SETTINGS ⇒ IMAGE → Mode image → Option d'image

Ajuste les réglages d'image détaillés.

- **Réduction bruit vidéo** Élimine le bruit de l'image.
- **Réduction de bruit MPEG** Élimine le bruit généré lors de la création de signaux d'image numériques.
- **Niveau noir** Règle la brillance et le contraste de l'écran pour les adapter au niveau de noir.
- **Ciné réel** Optimise l'écran pour le visionnement de films.
- **Contrôle de la luminosité en fonction du mouvement** (En fonction du modèle). Réduit la consommation d'énergie en réglant la luminosité en fonction du mouvement de l'image à l'écran.
- Selon le signal d'entrée ou d'autres réglages de l'image, les possibilités de réglage peuvent différer.

Utilisation du haut-parleur du téléviseur

SETTINGS ⇒ AUDIO → Haut-parleurs internes

Le son est diffusé par les haut-parleurs du téléviseur.

Pour définir un mot de passe

SETTINGS ⇒ VÉROUILLÉ → Mot de Passe

Définissez ou changez le mot de passe du téléviseur.

- Le mot de passe par défaut est 0000.

Pour régler les sous-titres

SETTINGS ⇒ OPTION → Sous-titres

Cette option permet d'afficher des sous-titres si la chaîne de télévision en offre pour ses émissions. Les sous-titres des émissions ne sont pris en charge que pour les diffusions numériques/ analogiques et pour les entrées externes.

Réglez l'option **Sous-titres** sur **Marche** et choisissez un réglage.

- **Mode**
S-Titre 1-4 (sous-titrage pour malentendants) / **Texte 1-4** Affiche la portion audio d'une émission télévisée sous forme de texte à l'écran. S-Titre 1 est le mode le plus communément utilisé. Canaux de données, champ 1 : deux de sous-titres (S-Titre 1, S-Titre 2) et deux de texte (T1, T2). Canaux de données, champ 2 : deux de sous-titres (S-Titre 3, S-Titre 4) et deux de texte (T3, T4).
Service 1-6 Disponible uniquement pour le système de diffusion numérique.
- **Option numérique** L'option numérique permet de régler la taille et la couleur des sous-titres. Vous avez le choix entre **Selon source** et **Personnalisé**. Sélectionnez **Personnalisé** si vous souhaitez définir par vous-même des détails tels que la taille et la couleur des sous-titres.

Rétablissement du réglage initial

SETTINGS ⇒ OPTION → Réglage initial

Permet de revenir au mode par défaut en supprimant tous les réglages optionnels. Une fois l'initialisation terminée, la télé s'éteint et se rallume toute seule.

- Lorsque la fonction **Vérouillage** est activée, une fenêtre contextuelle s'affiche et vous demande un mot de passe.
- Ne pas mettre l'appareil hors tension durant l'initialisation.

Retrait des dispositifs USB

Q.Menu ⇒ Éjection USB → Éjection

Une fois affiché le message vous indiquant que le dispositif USB a été retiré, retirez le dispositif de la télé.

- Une fois sélectionné un dispositif de stockage USB en vue de son retrait, son contenu ne peut plus être lu. Pour ce faire, vous devez le retirer, puis le rebrancher.

Avertissement en cas d'utilisation d'un dispositif de stockage USB

- Seuls les dispositifs de stockage USB sont reconnus par le téléviseur.
- Si vous connectez un dispositif de stockage USB au téléviseur par l'intermédiaire d'un concentrateur USB, le téléviseur risque de ne pas reconnaître le dispositif.
- Il est possible que le téléviseur ne reconnaisse pas un dispositif de stockage USB nécessitant un pilote particulier.
- La vitesse de reconnaissance d'un dispositif de stockage USB peut varier selon le dispositif.
- N'utilisez que des dispositifs de stockage USB qui contiennent des fichiers d'images ou de musique normaux.
- N'utilisez que des dispositifs de stockage USB formatés selon le système de fichiers FAT 32 ou NTFS.
- Vous devrez peut-être connecter le dispositif de stockage USB à une source d'alimentation externe à l'aide d'un adaptateur de courant.
- Si le téléviseur ne reconnaît pas un dispositif de stockage USB connecté, remplacez le câble et réessayez. Évitez d'utiliser un câble d'une longueur excessive.
- Le téléviseur ne prend pas correctement en charge certains dispositifs de stockage USB.
- Vous pouvez utiliser un dispositif de stockage USB à plusieurs partitions (maximum de quatre partitions).
- Le mode d'alignement des fichiers d'un dispositif de stockage USB est semblable à celui de Windows XP.
- Il est impossible de créer ou de supprimer un dossier enregistré sur un dispositif de stockage USB directement sur le téléviseur.
- Les noms de fichiers peuvent compter jusqu'à 100 caractères (anglais).
- Si un dossier contient trop de sous-

dossiers ou de fichiers, le système pourrait ne pas fonctionner correctement.

- La capacité maximale recommandée est de 1 To dans le cas d'un disque dur externe USB et de 32 Go dans le cas d'un dispositif de stockage USB.
- Si un disque dur externe USB doté de la fonction d'économie d'énergie ne fonctionne pas, éteignez-le et rallumez-le pour rétablir son bon fonctionnement. Pour en savoir plus, reportez-vous au manuel de l'utilisateur du disque dur externe USB.
- L'électricité statique peut provoquer le mauvais fonctionnement d'un dispositif USB. Si c'est le cas, branchez de nouveau le dispositif USB.

Formats de photos pris en charge

- Catégorie: 2D (jpeg, jpg)
[Type de fichiers pris en charge]
SOF0: ligne de base,
SOF1: séquentiel,
SOF2: progressif
[Taille des photos]
Minimum: 64 x 64
Maximum: Type Normal: 15 360 (W) x 8 640 (H)
Type progressif: 1 024 (W) x 768 (H)

Formats vidéo pris en charge

- Type de fichiers: mp3
[Débit binaire] de 32 à 320 kb/s
[Fréquence d'échantillonnage] de 16 à 48 kHz
[Formats pris en charge] MPEG 1, MPEG 2, couche 2, couche 3

POUR AFFICHER LE GUIDE SUR LE WEB

Le guide sur le Web vous permet d'accéder facilement aux renseignements détaillés de votre téléviseur.

Allez à l'adresse www.lg.com.

CARACTÉRISTIQUES

Les caractéristiques des produits peuvent être modifiées sans préavis en raison de mises à niveau des fonctions des produits en question.

Système télévisuel		ATSC, NTSC-M, 64 & 256 QAM
Programmation		VHF 2-13, UHF 14-69, CATV 1-135, DTV 2-69, CADTV 1-135
Impédance de l'antenne externe		75 Ω
Conditions d'utilisation	Température de fonctionnement	De 0 °C à 40 °C (32 °F à 104 °F)
	Humidité de fonctionnement	Moins de 80 %
	Température de stockage	De -10 °C à 60 °C (14 °F à 140 °F)
	Humidité de stockage	Moins de 85 %

MODÈLES		22LB4510 (22LB4510-PU)	24LB4510 (24LB4510-PU)
Dimensions (L x H x P)	Avec support	507,6 x 355,9 x 140,6 (mm)	556,0 x 384,3 x 140,6 (mm)
		19,9 x 14,0 x 5,5 (pouces)	21,8 x 15,1 x 5,5 (pouces)
	Sans support	507,6 x 314,7 x 52,7 (mm)	556,0 x 343,1 x 52,7 (mm)
		19,9 x 12,3 x 2,0 (pouces)	21,8 x 13,5 x 2,0 (pouces)
Poids	Avec support	2,7 kg (5,9 lb)	3,5 kg (7,7 lb)
	Sans support	2,5 kg (5,5 lb)	3,3 kg (7,2 lb)
Consommation		19 V --- 1,6 A	19 V --- 1,6 A
Adaptateur c.a./c.c.		Fabricant : Lien Chang Modèle : LCAP16A-A, LCAP25A Fabricant : Honor Modèle : ADS-40FSG-19 19032GPCU, ADS-40SG-19-2 19032G	
Adaptateur (alimentation c.c.)		Entrée : c. a. 100 à 240 V, 50/60 Hz	Entrée : c. a. 100 à 240 V, 50/60 Hz
		Sortie : c.c. 19 V --- 1,7 A	Sortie : c.c. 19 V --- 1,7 A

MODÈLES		29LB4510/29LB4505 (29LB4510-PU/29LB4505-PU)
Dimensions (L x H x P)	Avec support	668,6 x 457,0 x 182,1 (mm)
		26,3 x 17,9 x 7,1 (pouces)
	Sans support	668,6 x 410,5 x 81,9 (mm)
		26,3 x 16,1 x 3,2 (pouces)
Poids	Avec support	5,6 kg (12,3 lb)
	Sans support	5,2 kg (11,4 lb)
Consommation		19 V --- 2,2 A
Adaptateur c.a./c.c.		Fabricant : Lien Chang Modèle : LCAP35 Fabricant : APD Modèle : DA-48F19
Adaptateur (alimentation c.c.)		Entrée : c. a. 100 à 240 V, 50/60 Hz
		Sortie : c.c. 19 V --- 2,53 A

Prise en charge du mode RGB (PC)/ HDMI (PC)

(Pour 22LB4510)

Résolution	Fréquence horizontale (kHz)	Fréquence verticale (Hz)
720 x 400	31,468	70,080
640 x 480	31,469	59,940
	37,500	75,000
800 x 600	37,879	60,317
	46,875	75,000
	48,363	60,004
1 024 x 768	56,476	70,069
	60,023	75,029
	67,500	75,000
1 152 x 864	67,500	75,000
1 280 x 720	45,000	60,000
1 280 x 800	49,702	59,810
1 280 x 1 024	63,981	60,020
	79,976	75,025
1 400 x 1 050	65,317	59,978
1 440 x 900	55,935	59,887
1 600 x 900	60,000	60,000
1 680 x 1 050	64,674	59,883
	65,290	59,954
1 920 x 1 080	67,500	60,000

(Pour 24/29LB4510, 29LB4505)

Résolution	Fréquence horizontale (kHz)	Fréquence verticale (Hz)
720 x 400	31,468	70,080
640 x 480	31,469	59,940
	37,500	75,000
800 x 600	37,879	60,317
	46,875	75,000
1 024 x 768	48,363	60,004
	60,023	75,029
1 280 x 800	49,702	59,810
1 366 x 768	47,717	59,79

! REMARQUES

- La résolution optimale est de
 - 22LB4510: 1 920 x 1 080 @ 60 Hz.
 - 24LB4510, 29LB4510, 29LB4505 : 1 366 x 768 @ 60 Hz.
- La temporisation optimale dans chaque mode est une fréquence verticale à 60 Hz.

Prise en charge du mode HDMI (DTV)

Résolution	Fréquence horizontale (kHz)	Fréquence verticale (Hz)
720 x 480p	31,469	59,940
	31,500	60,000
720 x 576p	31,250	50,000
	37,500	50,000
	44,960	59,940
1 280 x 720p	45,000	60,000
	28,125	50,000
1 920 x 1 080i	33,720	59,940
	33,750	60,000
1 920 x 1 080p	27,000	24,000
	33,750	30,000
	56,250	50,000
	67,430	59,940
	67,500	60,000

Information sur la connexion à un port composante

Ports composantes du téléviseur	Y	P _B	P _R
---------------------------------	---	----------------	----------------

Ports de sortie vidéo du lecteur de DVD	Y	P _B	P _R
	Y	B-Y	R-Y
	Y	Cb	Cr
	Y	Pb	Pr

Prise en charge du mode composante

Résolution	Fréquence horizontale (kHz)	Fréquence verticale (Hz)
720 x 480i	15,73	59,94
	15,73	60,00
720 x 480p	31,47	59,94
	31,50	60,00
1 280 x 720p	44,96	59,94
	45,00	60,00
1 920 x 1 080i	33,72	59,94
	33,75	60,00
1 920 x 1 080p	26,97	23,976
	27,00	24,00
	33,71	29,97
	33,75	30,00
	67,432	59,94
	67,500	60,00

ENTRETIEN

Nettoyage du téléviseur

Nettoyez régulièrement votre téléviseur pour en assurer un rendement optimal et en prolonger la durée de vie.



MISE EN GARDE

- Avant le nettoyage, éteignez le téléviseur et débranchez le cordon d'alimentation et tous les autres câbles.
- En cas d'absence prolongée ou si vous ne comptez pas utiliser votre téléviseur pendant une période prolongée, débranchez le cordon d'alimentation de la prise murale afin d'éviter les dommages dus à la foudre ou aux surtensions.

Écran, cadre, boîtier et support

Pour éliminer la poussière ou les saletés, essuyez la surface à l'aide d'un chiffon sec, propre et doux.

En cas de salissure importante, essuyez la surface à l'aide d'un chiffon doux imbibé d'eau propre ou de détergent doux dilué. Essuyez ensuite immédiatement avec un chiffon sec.



MISE EN GARDE

- Évitez de pousser sur la surface, de la frotter ou de la heurter avec vos ongles ou avec des objets pointus, car vous risqueriez d'égratigner l'écran et de provoquer des déformations de l'image.
- N'utilisez aucun produit chimique (cires, benzène, alcool, diluants, insecticides, désodorisants, lubrifiants ou autres), au risque d'endommager la finition de l'écran et de provoquer des décolorations.
- Ne vaporisez pas de liquides sur la surface. Si de l'eau pénètre dans le téléviseur, il y a danger d'incendie, d'électrocution ou de mauvais fonctionnement de l'appareil.

Cordon d'alimentation

Enlevez régulièrement la poussière ou la saleté sur le cordon d'alimentation.

DÉPANNAGE

Problème	Solution
La télécommande ne fonctionne pas.	<ul style="list-style-type: none"> • Vérifiez le capteur de télécommande sur le téléviseur et réessayez. • Vérifiez qu'aucun obstacle n'empêche la communication entre l'appareil et la télécommande. • Remplacez les piles par des nouvelles.
Le téléviseur ne produit pas d'image ni de son.	<ul style="list-style-type: none"> • Vérifiez que le téléviseur est allumé. • Vérifiez que le cordon d'alimentation est branché sur une prise murale. • Vérifiez que la prise murale fonctionne en y branchant d'autres appareils.
Le téléviseur s'éteint brusquement.	<ul style="list-style-type: none"> • Vérifiez les réglages de commande de l'alimentation. Il y a peut-être eu une coupure de courant. • Vérifiez si la fonction de Mise en arrêt / Arrêt différé a été activée dans les réglages HEURE. • En l'absence de signal, le téléviseur s'éteint automatiquement au bout de 15 minutes d'inactivité.
Des lignes verticales et horizontales nettes apparaissent et vibrent momentanément à l'écran.	<ul style="list-style-type: none"> • Évitez d'utiliser des appareils électroniques, tels que téléphones sans fil, sècheurs à cheveux ou perceuses électriques, à proximité du produit. Ce problème provient des hautes fréquences et des forts champs magnétiques générés par ces appareils. • Il se peut que le produit s'éteigne si vous poursuivez l'utilisation de ces appareils à proximité.
Si le téléviseur s'éteint automatiquement	<ul style="list-style-type: none"> • Si la fonction Mise en éveil est activée, le téléviseur s'allumera à l'heure indiquée. Si vous n'utilisez pas le téléviseur dans les deux heures, il s'éteint automatiquement. • Pour désactiver cette fonction, utilisez votre télécommande pour sélectionner « Settings -> HEURE -> Arrêt auto(Mise en éveil) -> Arrêt ».

LA SÉCURITÉ DES ENFANTS:

L'IMPORTANCE D'UN EMBLACEMENT APPROPRIÉ POUR LE TÉLÉVISEUR



L'INDUSTRIE DE L'ÉLECTRONIQUE GRAND PUBLIC EST SOUCIEUSE DE VOTRE SÉCURITÉ

- Les fabricants, les détaillants et l'industrie de l'électronique grand public dans son ensemble sont déterminés à faire en sorte que le divertissement domestique soit sûr et plaisant.
- Alors que vous vous divertissez devant la télévision, n'oubliez pas que tous les téléviseurs, neufs comme anciens, doivent être : soit positionnés sur un socle approprié, soit installés selon les recommandations spécifiques du fabricant. Les téléviseurs placés de façon non appropriée sur des commodes, des bibliothèques, des étagères, des bureaux, des haut-parleurs, des armoires, des chariots, etc. peuvent tomber et entraîner des blessures..



RESTER À L'ÉCOUTE DE LA SÉCURITÉ

- Respectez **TOUJOURS** les recommandations du fabricant pour une installation sûre de votre téléviseur.
- Lisez et suivez **TOUJOURS** toutes les instructions données pour un bon usage de votre téléviseur.
- Ne permettez **JAMAIS** aux enfants de grimper ou de jouer sur le téléviseur ou le meuble sur lequel le téléviseur est placé.
- Ne placez **JAMAIS** le téléviseur sur un meuble pouvant facilement être utilisé comme marche-pied, telle qu'une commode par exemple.
- Installez **TOUJOURS** le téléviseur à un endroit où il ne peut pas être poussé, tiré ou renversé.
- Faites **TOUJOURS** passer les prises et câbles connectés au téléviseur à un endroit où ils ne pourront pas faire trébucher quelqu'un ou encore où ils ne pourront pas être tirés ou attrapés.



FIXATION DU TÉLÉVISEUR SUR LE MUR OU LE PLAFOND

- Contactez **TOUJOURS** votre revendeur pour une installation professionnelle au moindre doute quant à votre capacité à fixer le téléviseur de manière sûre.
- Utilisez **TOUJOURS** un support recommandé par le fabricant du téléviseur et dont la sécurité a été certifiée par un laboratoire indépendant (tel que UL, CSA, ETL).
- Suivez **TOUJOURS** toutes les instructions fournies par les fabricants du téléviseur et du support.
- Assurez-vous **TOUJOURS** que le mur ou le plafond sur lequel vous fixez le téléviseur est approprié. Certains supports ne sont pas conçus pour être fixés aux murs ou aux plafonds ayant une armature en acier ou construits avec des parpaings. En cas de doute, contactez un installateur professionnel.
- Les téléviseurs peuvent être lourds. Deux personnes minimum sont nécessaires pour la fixation au mur ou au plafond.



DÉPLACER UN ANCIEN TÉLÉVISEUR DANS VOTRE MAISON

- Nombreuses sont les personnes déplaçant leur ancien téléviseur CRT dans une autre pièce de la maison après l'achat d'un téléviseur à écran plat. Une attention particulière doit être portée au nouvel emplacement d'un ancien téléviseur CRT.
- Placez **TOUJOURS** votre ancien téléviseur CRT sur un meuble solide et adapté à la taille et au poids du téléviseur.
- Ne placez **JAMAIS** votre ancien téléviseur CRT sur une commode dont les enfants sont susceptibles d'utiliser les tiroirs pour grimper.
- Assurez-vous **TOUJOURS** que votre ancien téléviseur CRT ne dépasse pas le bord de votre meuble.



Centre d'information à la clientèle LG

Pour toute question ou commentaire,
accédez à www.lg.com ou appelez :

1-800-243-0000	États-Unis, résidentiel
1-888-865-3026	États-Unis, commercial
1-888-542-2623	CANADA

Enregistrez votre produit en ligne!

www.lg.com

Les numéros de modèle et de série sont situés au dos ou sur le côté du téléviseur.
Inscrivez-les ci-dessous au cas où vous auriez besoin de service.

MODÈLE _____

NUMÉRO DE SÉRIE _____



Ce produit est conforme aux normes ENERGY STAR lorsque le « réglage d'usine par défaut (résidentiel) » est sélectionné.

Modifier les réglages d'usine par défaut ou activer d'autres fonctionnalités augmente la consommation d'énergie qui pourrait alors dépasser les limites de la qualification Energy Star.

Consultez le site ENERGY STAR.gov pour en savoir plus au sujet du programme ENERGY STAR.