



# OWNER'S MANUAL

## LED TV\*

\* LG LED TVs are LCD TVs with LED backlighting.

Please read this manual carefully before operating your TV and retain it for future reference.

32LY750H	32LY760H
39LY750H	39LY760H
42LY750H	42LY760H
47LY750H	47LY760H
55LY750H	55LY760H



[www.lg.com](http://www.lg.com)

P/NO : MFL68080313 (1505-REV06)

# IMPORTANT SAFETY INSTRUCTIONS

Always comply with the following precautions to avoid dangerous situations and ensure peak performance of your product.



TO REDUCE THE RISK OF ELECTRIC SHOCK DO NOT REMOVE COVER (OR BACK). NO USER SERVICEABLE PARTS INSIDE. REFER TO QUALIFIED SERVICE PERSONNEL.

**⚡** The lightning flash with arrowhead symbol within an equilateral triangle is intended to alert the user to the presence of uninsulated dangerous voltage within the product's enclosure that may be of sufficient magnitude to constitute a risk of electric shock to persons.

**!** The exclamation point within an equilateral triangle is intended to alert the user to the presence of important operating and maintenance (servicing) instructions in the literature accompanying the appliance.

**WARNING/CAUTION**  
- TO REDUCE THE RISK OF FIRE AND ELECTRIC SHOCK, DO NOT EXPOSE THIS PRODUCT TO RAIN OR MOISTURE.

**!** **WARNING**  
If you ignore the warning message, you may be seriously injured or there is a possibility of accident or death.

**!** **CAUTION**  
If you ignore the caution message, you may be slightly injured or the product may be damaged.

**!** **NOTE**  
The note helps you understand and use the product safely. Please read the note carefully before using the product.

Read these instructions.  
Keep these instructions.  
Heed all warnings.  
Follow all instructions.



- Do not use this apparatus near water.



- Clean only with dry cloth.



- Do not block any ventilation openings. Install in accordance with the manufacturer's instructions.



- Do not install near any heat sources such as radiators, heat registers, stoves, or other apparatus (including amplifiers) that produce heat.



- Do not defeat the safety purpose of the polarized or grounding-type plug. A polarized plug has two blades with one wider than the other. A grounding type plug has two blades and a third grounding prong. The wide blade or the third prong are provided for your safety. If the provided plug does not fit into your outlet, consult an electrician for replacement of the obsolete outlet.



- Protect the power cord from being walked on or pinched particularly at plugs, convenience receptacles, and the point where they exit from the apparatus.



- Only use attachments/accessories specified by the manufacturer.



- Use only with the cart, stand, tripod, bracket, or table specified by the manufacturer, or sold with the apparatus. When a cart is used, use caution when moving the cart/apparatus combination to avoid injury from tip-over.



- Unplug this apparatus during lightning storms or when unused for long periods of time.



- Refer all servicing to qualified service personnel. Servicing is required when the apparatus has been damaged in any way, such as power-supply cord or plug is damaged, liquid has been spilled or objects have fallen into the apparatus, the apparatus has been exposed to rain or moisture, does not operate normally, or has been dropped.



- Do not press strongly upon the panel with a hand or a sharp object such as a nail, pencil, or pen, or make a scratch on it.



- Do not stick metal objects or any other conductive material into the power cord. Do not touch the end of the power cord while it is plugged in.
- Keep the packing anti-moisture material or vinyl packing out of the reach of children. Anti-moisture material is harmful if swallowed. If swallowed, induce vomiting and go to the nearest hospital. Additionally, vinyl packing can cause suffocation. Keep it out of the reach of children.

- **CAUTION** concerning the Power Cord (Can differ by country): Check the specification page of this owner's manual to be certain. Do not connect too many appliances to the same AC power outlet as this could result in fire or electric shock. Do not overload wall outlets. Overloaded wall outlets, loose or damaged wall outlets, extension cords, frayed power cords, or damaged or cracked wire insulation are dangerous. Any of these conditions could result in electric shock or fire. Periodically examine the cord of your appliance, and if its appearance indicates damage or deterioration, unplug it, discontinue use of the appliance, and have the cord replaced with an exact replacement part by an authorized service. Protect the power cord from physical or mechanical abuse, such as being twisted, kinked, pinched, closed in a door, or walked upon. Pay particular attention to plugs, wall outlets, and the point where the cord exits the appliance. Do not move the TV with the power cord plugged in. Do not use a damaged or loose power cord. Be sure to grasp the plug when unplugging the power cord. Do not pull on the power cord to unplug the TV.



- **Warning** - To reduce the risk of fire or electrical shock, do not expose this product to rain, moisture or other liquids. Do not touch the TV with wet hands. Do not install this product near flammable objects such as gasoline or candles, or expose the TV to direct air conditioning.

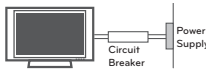


- Do not expose to dripping or splashing and do not place objects filled with liquids, such as vases, cups, etc. on or over the apparatus (e.g., on shelves above the unit).



• **Grounding**

(Except for devices which are not grounded.) Ensure that you connect the earth ground wire to prevent possible electric shock (i.e., a TV with a three-prong grounded AC plug must be connected to a three-prong grounded AC outlet). If grounding methods are not possible, have a qualified electrician install a separate circuit breaker. Do not try to ground the unit by connecting it to telephone wires, lightning rods, or gas pipes.



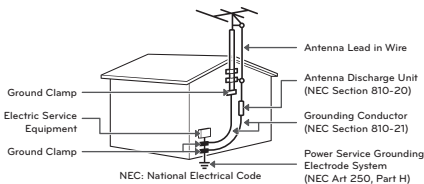
- As long as this unit is connected to the AC wall outlet, it is not disconnected from the AC power source even if the unit is turned off.
- Do not attempt to modify this product in any way without written authorization from LG Electronics. Unauthorized modification could void the user's authority to operate this product.

• **Outdoor Antenna Grounding**

(Can differ by country):

If an outdoor antenna is installed, follow the precautions below. An outdoor antenna system should not be located in the vicinity of overhead power lines or other electric light or power circuits, or where it can come in contact with such power lines or circuits as death or serious injury can occur. Be sure the antenna system is grounded to provide some protection against voltage surges and built-up static charges. Section 810 of the National Electrical Code (NEC) in the U.S.A. provides information with respect to proper grounding of the mast and supporting structure, grounding of the lead-in wire to an antenna discharge unit, size of grounding conductors, location of antenna discharge unit, connection to grounding electrodes and requirements for the grounding electrode.

**Antenna grounding according to the National Electrical Code, ANSI/NFPA 70**



• **Cleaning**

When cleaning, unplug the power cord and wipe gently with a soft cloth to prevent scratching. Do not spray water or other liquids directly on the TV as electric shock may occur. Do not clean with chemicals such as alcohol, thinners, or benzene.

• **Moving**

Make sure the product is turned off, unplugged, and all cables have been removed. It may take 2 or more people to carry larger TVs. Do not press or put stress on the front panel of the TV.

• **Ventilation**

Install your TV where there is proper ventilation. Do not install in a confined space such as a bookcase. Do not cover the product with cloth or other materials while plugged. Do not install in excessively dusty places.

- If you smell smoke or other odors coming from the TV, unplug the power cord and contact an authorized service center.
- Keep the product away from direct sunlight.
- Never touch this apparatus or antenna during a lightning storm.
- When mounting a TV on the wall, make sure not to install the TV by hanging the power and signal cables on the back of the TV.
- Do not allow an impact shock, any objects to fall into the product, and do not drop anything onto the screen.

• **DISCONNECTING THE DEVICE FROM THE MAIN POWER**

The power plug is the disconnecting device. In case of an emergency, the power plug must remain readily accessible.

• **Batteries**

- Store the accessories (battery, etc.) in a safe location out of the reach of children.
- This apparatus uses batteries. In your community there might be regulations that require you to dispose of these batteries properly due to environmental considerations. Please contact your local authorities for disposal or recycling information.
- Do not dispose of batteries in a fire.
- Do not short circuit, disassemble, or allow the batteries to overheat.

- Do not use high voltage electrical equipment near the TV. (e.g., a bug zapper.) This may result in product malfunction.

#### • Dot Defect

The panel is a high technology product with resolution of two million to six million pixels. In a very few cases, you could see fine dots on the screen while you're viewing the TV. Those dots are deactivated pixels and do not affect the performance and reliability of the TV.

#### • Generated Sound

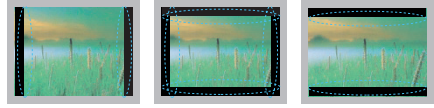
**Cracking noise** A cracking noise that occurs when watching or turning off the TV is generated by plastic thermal contraction due to temperature and humidity. This noise is common for products where thermal deformation is required.

#### **Electrical circuit humming/panel buzzing**

A low level noise is generated from a high-speed switching circuit, which supplies a large amount of current to operate a product. It varies depending upon the product. This generated sound does not affect the performance and reliability of the product.

- Take care not to touch the ventilation openings. When watching the TV for a long period, the ventilation openings may become hot. This does not affect the performance of the product or cause defects in the product.
- Do not install this product on a wall if it could be exposed to oil or oil mist. This may damage the product and cause it to fall.
- If the TV feels cold to the touch, there may be a small flicker when it is turned on. This is normal; there is nothing wrong with TV. Some minute dot defects may be visible on the screen, appearing as tiny red, green, or blue spots. However, they have no adverse effect on the TV's performance. Avoid touching the LCD screen or holding your finger(s) against it for long periods of time. Doing so may produce some temporary distortion effects on the screen.

### Preventing image burn or burn-in on your TV screen



- If a fixed image displays on the TV screen for a long period of time, it will be imprinted and become a permanent disfigurement on the screen. This is image burn or burn-in and not covered by the warranty.
- If the aspect ratio of the TV is set to 4:3 for a long period of time, image burn may occur on the letterboxed area of the screen.
- Avoid displaying a fixed image on the TV screen for a long period of time to prevent image burn.

## LICENSES

Supported licenses may differ by model. For more information about licenses, visit [www.lg.com](http://www.lg.com).



Manufactured under license from Dolby Laboratories. Dolby and the double-D symbol are trademarks of Dolby Laboratories.



The terms HDMI and HDMI High-Definition Multimedia Interface, and the HDMI logo are trademarks or registered trademarks of HDMI Licensing LLC in the United States and other countries.



This DivX Certified® device has passed rigorous testing to ensure it plays DivX® video. To play purchased DivX movies, first register your device at [vod.divx.com](http://vod.divx.com). Find your registration code in the DivX VOD section of your device setup menu. DivX Certified® to play DivX® video up to HD 1080p, including premium content. DivX®, DivX Certified® and associated logos are trademarks of DivX, LLC and are used under license.

Covered by one or more of the following U.S. patents: 7,295,673; 7,460,668; 7,515,710; 7,519,274.



For DTS patents, see <http://patents.dts.com>. Manufactured under license from DTS Licensing Limited. DTS, the Symbol, & DTS and the Symbol together are registered trademarks, and DTS 2.0+Digital Out is a trademark of DTS, Inc. © DTS, Inc. All Rights Reserved.

## OPEN SOURCE SOFTWARE NOTICE INFORMATION

To obtain the source code under GPL, LGPL, MPL, and other open source licenses, that is contained in this product, please visit <http://opensource.lge.com>. In addition to the source code, all referred license terms, warranty disclaimers and copyright notices are available for download.

LG Electronics will also provide open source code to you on CD-ROM for a charge covering the cost of performing such distribution (such as the cost of media, shipping, and handling) upon email request to [opensource@lge.com](mailto:opensource@lge.com). This offer is valid for three (3) years from the date on which you purchased the product.

### NOTE

- Image shown may differ from your TV.
- Your TV's OSD (On Screen Display) may differ slightly from that shown in this manual.
- The available menus and options may differ from the input source or product model that you are using.
- New features may be added to this TV in the future.

---

# TABLE OF CONTENTS

## **2** IMPORTANT SAFETY INSTRUCTIONS

---

## **6** LICENSES

---

## **6** OPEN SOURCE SOFTWARE NOTICE INFORMATION

---

## **7** TABLE OF CONTENTS

---

## **8** ASSEMBLING AND PREPARING

---

- 8 Unpacking
- 9 Optional Extras
- 10 Parts and Buttons
- 11 - Using the Joystick Button
- 12 Lifting and Moving the TV
- 12 Setting Up the TV
- 12 - Attaching the Stand
- 15 - Mounting on a Table
- 17 - Mounting on a Wall
- 18 - Tidying Cables

## **19** MAKING CONNECTIONS

---

- 19 Connecting to an Antenna or Cable
- 20 Other Connections

## **24** REMOTE CONTROL

---

## **26** SETTINGS

---

## **27** MAINTENANCE

---

- 27 Cleaning your TV
- 27 - Screen, Frame, Cabinet, and Stand
- 27 - Power Cord

## **28** TROUBLESHOOTING

---

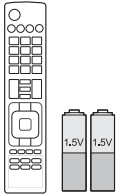
## **29** SPECIFICATIONS

---

# ASSEMBLING AND PREPARING

## Unpacking

Check your product box for the following items. If there are any missing accessories, contact the local dealer where you purchased your product. The illustrations in this manual may differ from the actual product and item.



**Remote Control, Batteries (AAA)**

(For 32/39LY750H, 32/39LY760H)



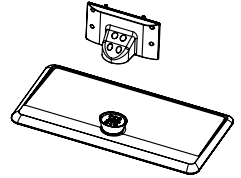
**Owner's Manual**

(For 42/47/55LY750H, 42/47/55LY760H)



**Power Cord**

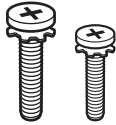
(For 42LY750H, 42LY760H)



**Stand Base, Stand Body**



**Stand Screws**  
6 EA, M4 x L20



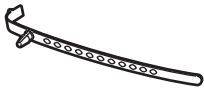
**Stand Screws**  
4 EA, M4 x L20  
4 EA, M4 x L14



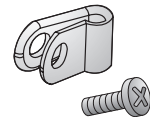
**Wall Mount Spacers**  
2 EA



**Cushion**  
2 EA



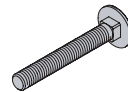
**Cable Holder**  
1 EA



**Power Cord Holder and Screw**  
1 EA



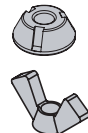
**Torx Plus Star-Head Screw**  
2 EA



**Screws for Attaching Stand**  
2 EA



**Washers for Attaching Stand**  
2 EA



**Nuts for Attaching Stand**  
2 EA

ENGLISH

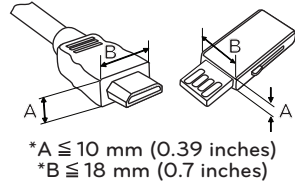


### ⚠ CAUTION

- Do not use any unapproved items to ensure the safety and lifespan of the product.
- Any damages or injuries by using unapproved items are not covered by the warranty.
- Some models appear to have a thin film on the screen. It is actually part of the screen; do not remove it.

### ! NOTE

- The items supplied with your product may vary depending upon the model.
- Product specifications or contents of this manual may be changed without prior notice due to upgrade of product functions.
- For an optimal connection, HDMI cables and USB devices should have bezels less than 10 mm (0.39 inches) thick and 18 mm (0.7 inches) width.
- Use an extension cable that supports USB 2.0 if the USB cable or USB flash drive does not fit into your TV's USB port.
- Use a certified cable with the HDMI logo attached. If you do not use a certified HDMI cable, the screen may not display or a connection error may occur.
- Recommended HDMI cable types
  - High-Speed HDMI<sup>®/TM</sup> cable
  - High-Speed HDMI<sup>®/TM</sup> cable with Ethernet



## Optional Extras

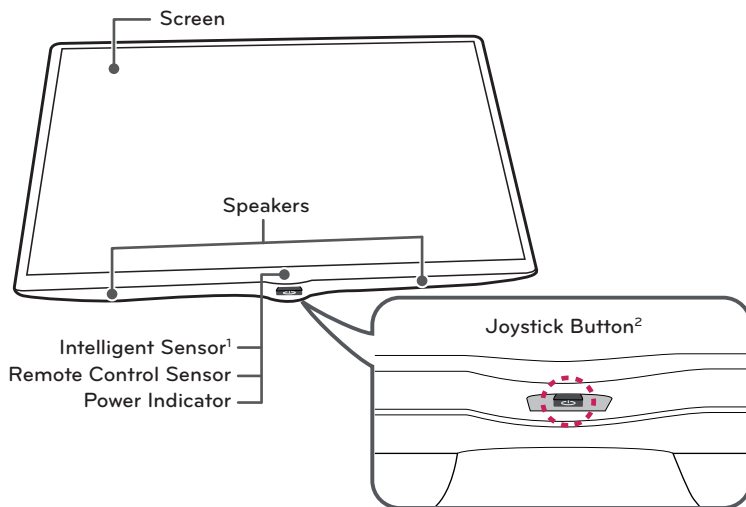
Optional extras can be changed or modified for quality improvement without any notification. Contact your dealer to buy these items. These devices only work with certain models. The model name or design may be changed manufacturer's circumstances or policies.

**AN-MR300** (For LY750H series)

**AN-MR500** (For LY760H series)

Magic Remote

## Parts and Buttons



1. Intelligent Sensor - Adjusts the image quality and brightness based on the surrounding environment.
2. Joystick Button is located below the screen of TV.

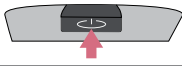
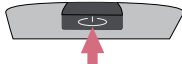

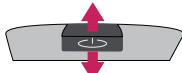
### ! NOTE

- You can set the power indicator light to on or off by selecting **OPTION** or **General** in the main menus. (Depending upon model)

## Using the Joystick Button

You can operate the TV functions simply, pressing or moving the joystick button up, down, left, or right.

### Basic functions

	<b>Power On</b>	When the TV is turned off, place your finger on the joystick button, press it once, and release it.
	<b>Power Off</b>	When the TV is turned on, place your finger on the joystick button, press it once for a few seconds, and release it. (However, if the menu button is on the screen, pressing and holding the joystick button will let you exit the menu.)
	<b>Volume Control</b>	If you place your finger over the joystick button and move it left or right, you can adjust the volume level.
	<b>Channels Control</b>	If you place your finger over the joystick button and move it up or down, you can scroll through the saved channels.

### ! NOTE





- With your finger over the joystick button and move it up, down, left, or right. Be careful not to press the joystick button. If you press the joystick button first, you may not be able to adjust the volume level and/or scroll through saved channels.

### Adjusting the menu

(For LY760H series)

When the TV is turned on, press the joystick button one time.

You can adjust the Menu items (⏻, 📺, ✕) moving the joystick button left or right.

		<b>TV Off</b>	Turn the power off.
		<b>Close</b>	Clears on-screen displays and returns to TV viewing.
		<b>Input List</b>	Changes the input source.

## Lifting and Moving the TV

When moving or lifting the TV, read the following to prevent the TV from being scratched or damaged and for safe transportation regardless of its type and size.

### ⚠ CAUTION

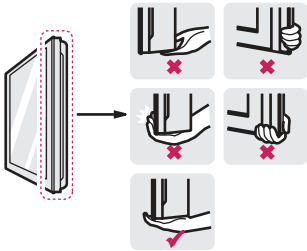
- Avoid touching or applying pressure to the screen at all times, as this may result in damage to the screen.
- Do not place the product on the floor with its front facing down without padding. Failure to do so may result in damage to the screen.

- It is recommended to move the TV in the box or packing material that the TV originally came in.
- Before moving or lifting the TV, disconnect the power cord and all cables.

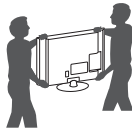
- When holding the TV, the screen should face away from you to avoid damage.



- Hold the top and bottom of the TV frame firmly. Make sure not to hold the transparent part, speaker, or speaker grille area.



- Use at least two people to move a large TV.
- When transporting the TV by hand, hold the TV as shown in the following illustration.
- When transporting the TV, do not expose the TV to jolts or excessive vibration.
- When transporting the TV, keep the TV upright; never turn the TV on its side or tilt towards the left or right.



## Setting Up the TV

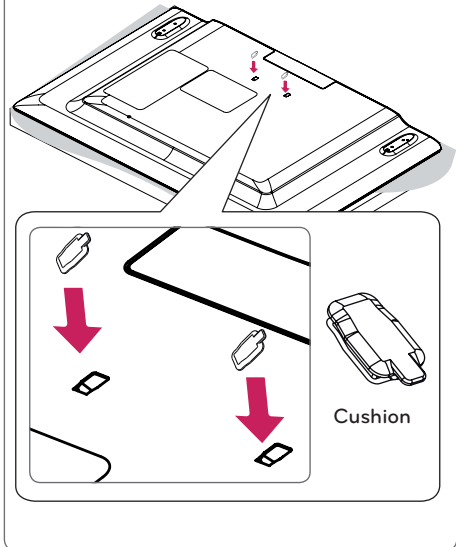
### Attaching the Stand

#### ⚠ CAUTION

- When attaching the stand to the TV set, place the screen facing down on a cushioned table or flat surface to protect the screen from scratches.

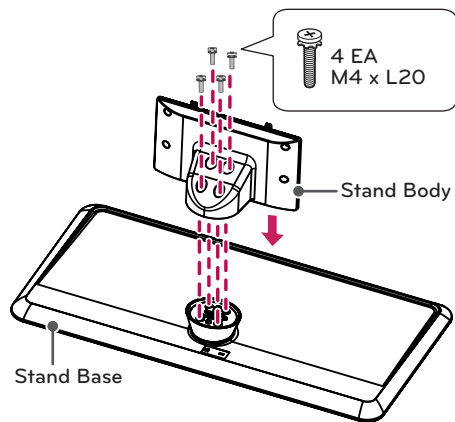
#### ! NOTE

- Make sure to hold the stand when attaching it to the TV to prevent the stand or TV from falling.
- Remove the stand before installing the TV on a wall mount by performing the stand attachment in reverse.
- The cover will protect the opening from accumulating dust and dirt. When installing the wall mounting bracket, use the cover.

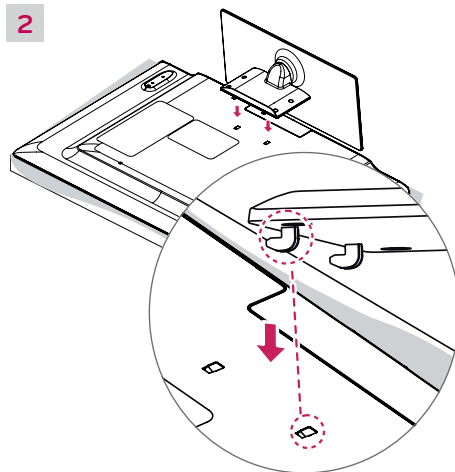


(For 42/47/55LY750H, 42/47/55LY760H)

1



2



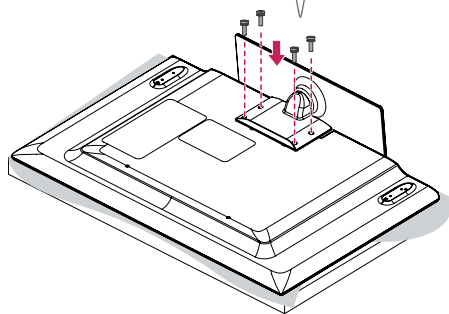
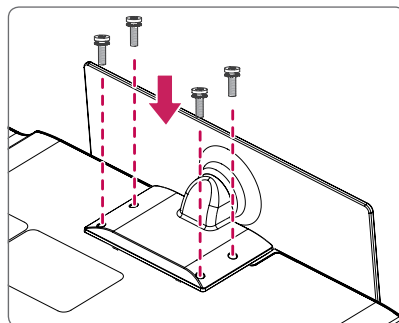
3

4 EA  
M4 x L14

or

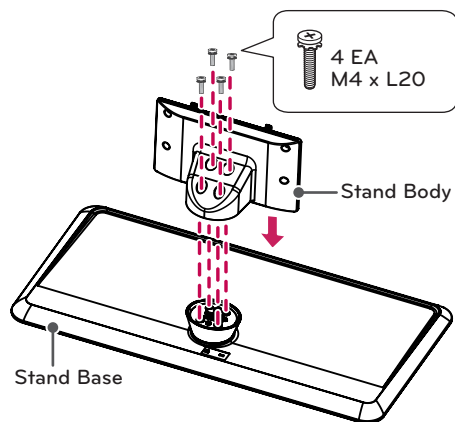
2 EA      2 EA

Tighten the two of these four screws and the two Torx screws (provided as parts of the TV) to secure the TV. Tighten the two Torx screws with a Torx driver bit (not provided as parts of the TV).

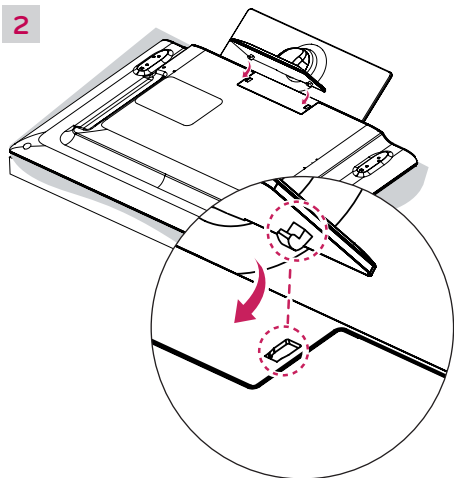


(For 32/39LY750H, 32/39LY760H)

1



2



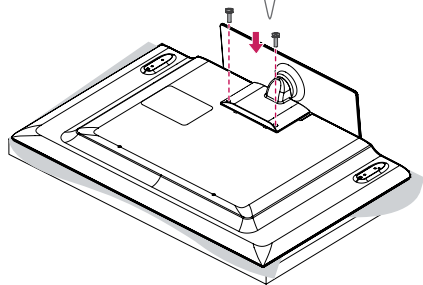
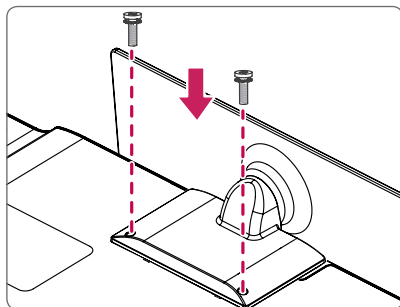
3

2 EA  
M4 x L20

or

2 EA

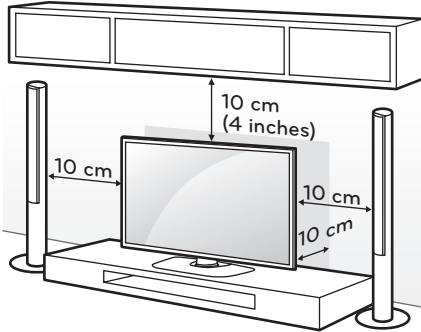
Tighten the two Torx screws (provided as parts of the TV) with a Torx driver bit (not provided as parts of the TV).

**! NOTE**

- When you install the screws, make certain they are in the correct locations for the model you have.

## Mounting on a Table

- 1 Lift and tilt the TV into its upright position on a table.
  - Leave a 10 cm (4 inches) (minimum) space from the wall for proper ventilation.



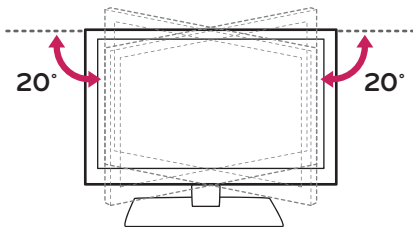
- 2 Connect the power cord to a wall outlet.

### CAUTION

- Do not place the TV near or on sources of heat, as this may result in fire or other damage.

## Adjusting the angle of the TV to suit view

Swivel 20 degrees to the left or right and adjust the angle of the TV to suit your view.



### CAUTION

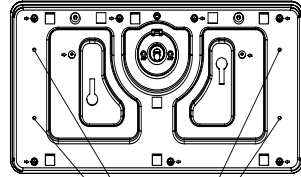
- When adjusting the angle of the TV, watch out for your fingers.
  - Personal injury may occur if hands or fingers are pinched. If the product is tilted too much, it may fall, causing damage or injury.

## Attaching the TV to a desk

(Depending upon model)

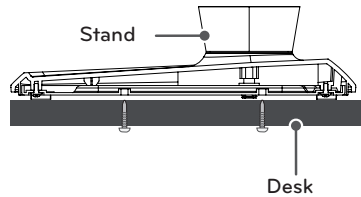
The TV should be attached to a desk so it cannot be pulled in a forward/backward direction, potentially causing injury or damaging the product.

TYPE 1



4-Screws

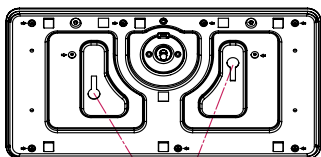
(Not provided as parts of the product)



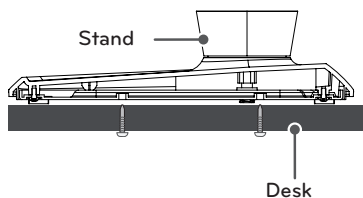
### NOTE

- Screw: M5 x L (\*L: Table depth + 8~10 mm)  
ex) Table depth: 15mm, Screw: M5 x 25

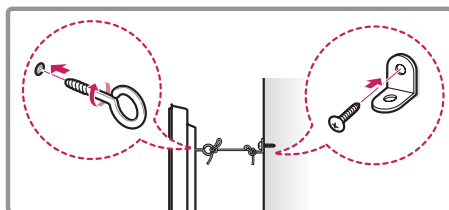
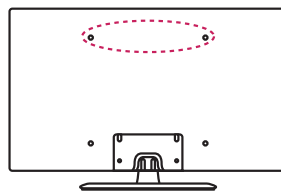
## TYPE 2



2-Screws, 2-Washers, 2-Nuts  
(provided as parts of the product)

**Securing the TV to a wall (optional)**

(Depending upon model)



- 1 Insert and tighten the eye-bolts, or TV brackets and bolts on the back of the TV.  
- If there are bolts inserted at the eye-bolts position, remove the bolts first.
- 2 Mount the wall brackets with the bolts to the wall.  
Match the location of the wall bracket and the eye-bolts on the rear of the TV.
- 3 Connect the eye-bolts and wall brackets tightly with a sturdy rope or cable.  
Make sure to keep the rope parallel to the flat surface.

**CAUTION**

- Make sure that children do not climb on or hang on the TV.

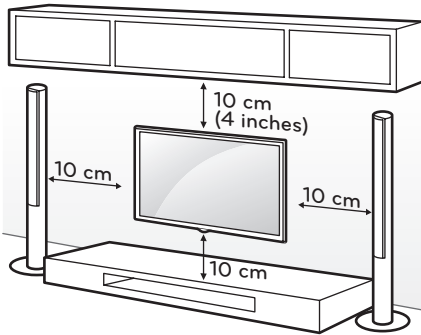
**NOTE**

- Use a platform or cabinet that is strong and large enough to support the TV securely.
- Brackets, bolts, and ropes, are optional. You can obtain additional accessories from your local dealer.



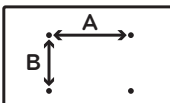
## Mounting on a Wall

An optional wall mount can be used with your LG Television. Consult with your local dealer for a wall mount that supports the VESA standard used by your TV model. Carefully attach the wall mount bracket at the rear of the TV. Install the wall mount bracket on a solid wall perpendicular to the floor. If you are attaching the TV to other building materials, please contact qualified personnel to install the wall mount. Detailed instructions will be included with the wall mount. We recommend that you use an LG brand wall mount. When you do not use LG's wall mount bracket, please use a wall mount bracket where the device is adequately secured to the wall with enough space to allow connectivity to external devices.



Make sure to use screws and wall mounts that meet the VESA standard. Standard dimensions for the wall mount kits are described in the following table.

<b>Model</b>	32LY750H 32LY760H 39LY750H 39LY760H	42LY750H 42LY760H 47LY750H 47LY760H 55LY750H 55LY760H
<b>VESA (A x B)</b>	200 x 200	400 x 400
<b>Standard screw</b>	M6	M6
<b>Number of screws</b>	4	4
<b>Wall mount bracket (optional)</b>	LSW240B MSW240	LSW440B MSW240

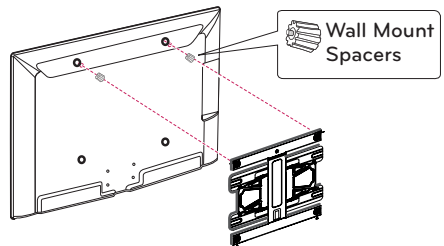


### ⚠ CAUTION

- Disconnect the power before moving or installing the TV. Otherwise electric shock may occur.
- If you install the TV on a ceiling or slanted wall, it may fall and result in severe injury. Use an authorized LG wall mount and contact the local dealer or qualified personnel. When using a third-party wall mount, it is not covered by the warranty.
- Do not overtighten the screws as this may cause damage to the TV and void your warranty.
- Use the screws and wall mounts that meet the VESA standard. Any damages or injuries by misuse or using an improper accessory are not covered by the warranty.

### ! NOTE

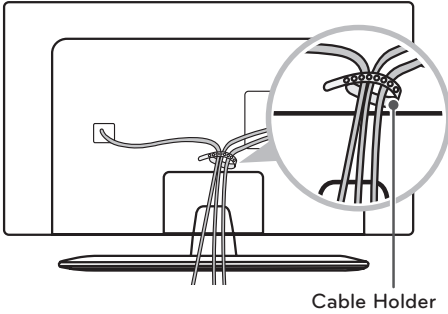
- Use the screws that are listed in the VESA standard screw specifications.
- The wall mount kit includes an installation manual and necessary parts.
- The wall mount bracket is optional. You can obtain additional accessories from your local dealer.
- The length of screws may differ depending upon the wall mount. Make sure to use the proper length.
- For more information, refer to the manual supplied with the wall mount.
- When attaching a wall mounting bracket to the TV, insert the wall mount inner spacers into the TV wall mount holes to adjust the vertical angle of the TV.  
(For 42LY750H, 42LY760H)



## Tidying Cables

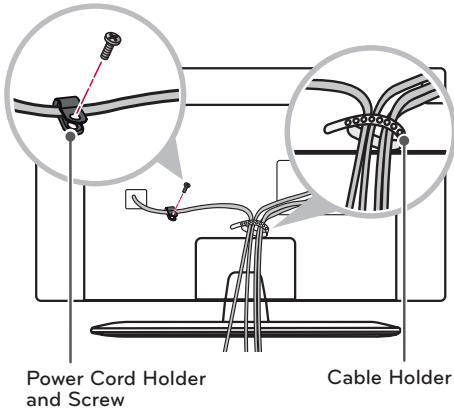
For 32LY750H, 32LY760H

- 1 Gather and bind the cables with the cable holder.



For 39/42/47/55LY750H,  
39/42/47/55LY760H

- 1 Install the power cord holder and power cord. It will help prevent the power cable from being removed by accident.
- 2 Gather and bind the cables with the cable holder.



# MAKING CONNECTIONS

- Image shown may differ from your TV.

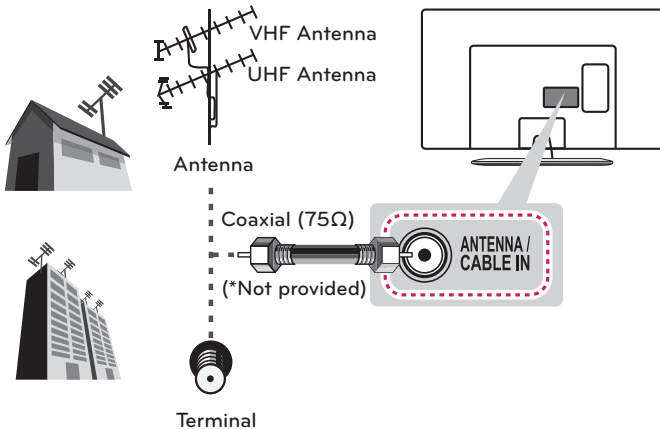
You can connect various external devices to the TV. Supported external devices are: HD receivers, DVD players, VCRs, audio systems, USB storage devices, PC, gaming devices, and other external devices. For more information on external device's connection, refer to the manual provided with each device.

**NOTE**

- If you record a TV program on a DVD recorder or VCR, make sure to connect the TV signal input cable to the TV through a DVD recorder or VCR. For more information about recording, refer to the manual provided with the connected device.
- The external device connections shown may differ slightly from illustrations in this manual.
- Connect external devices to the TV regardless about the order of the TV port.
- If you connect a gaming device to the TV, use the cable supplied with the gaming device.
- Refer to the external equipment's manual for operating instructions.
- Using a DVI to HDMI cable may cause compatibility issues.
- Use only with the 3-pole 3.5 mm Stereo Jack.

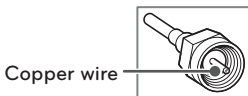
## Connecting to an Antenna or Cable

Connect an antenna, cable, or cable box to watch TV. The illustrations may differ from the actual items and an RF cable is optional.



**CAUTION**

- Make sure not to bend the copper wire of the RF cable.



- Complete all connections between devices, and then connect the power cord to the power outlet to prevent damage to your TV.

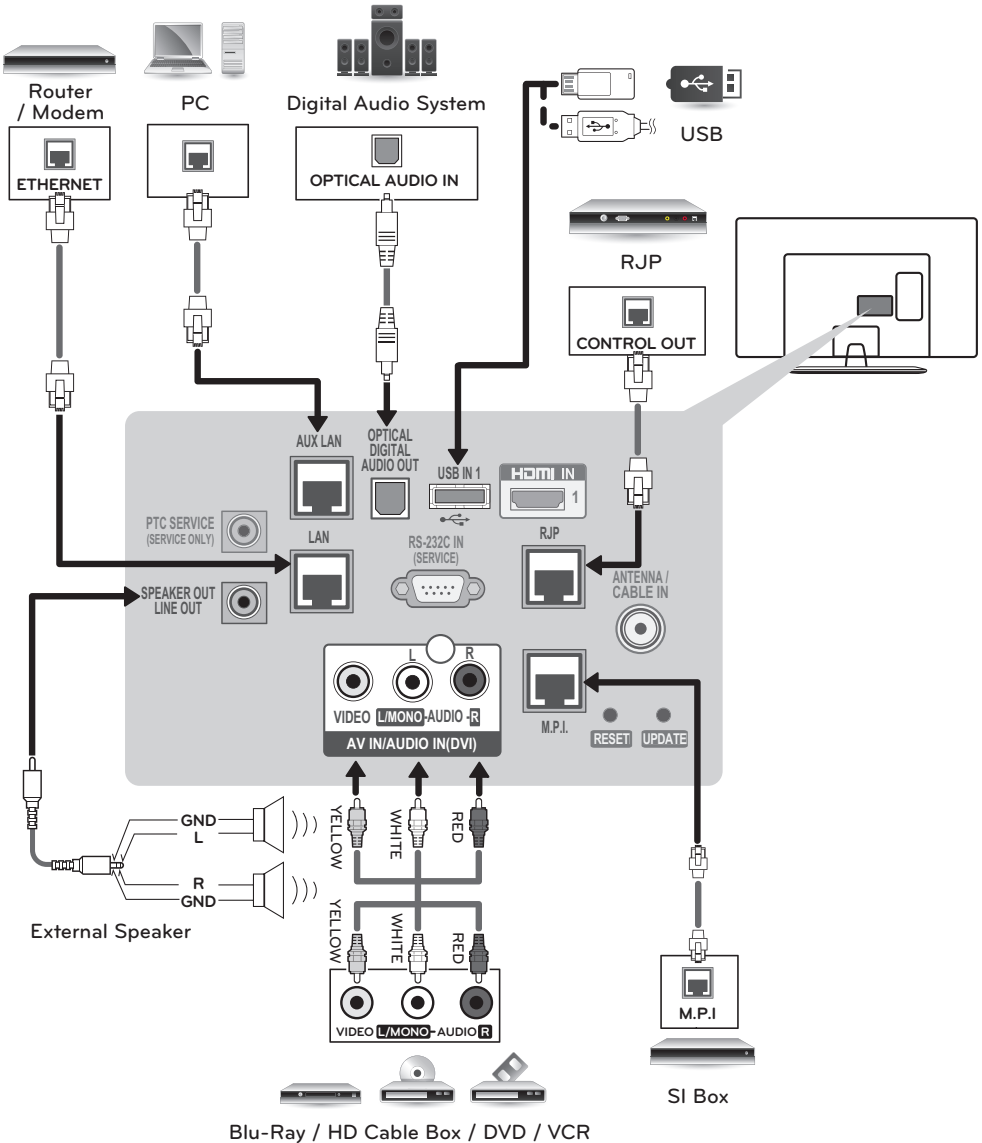
**NOTE**

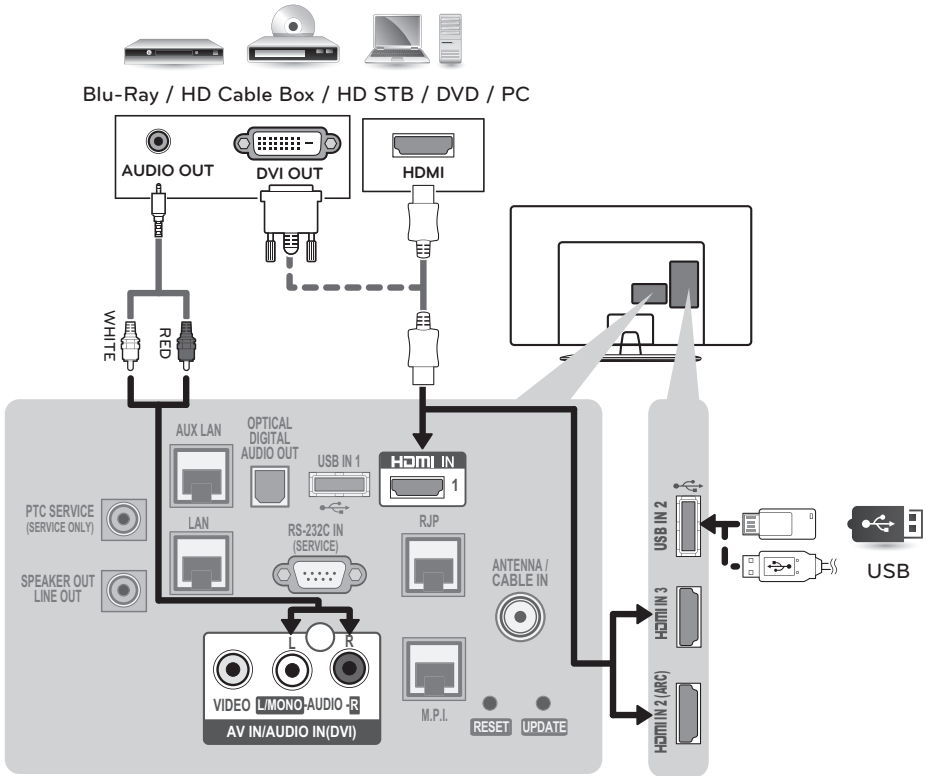
- Use a signal splitter to use 2 TVs or more.
- DTV Audio Supported Codec: MPEG, Dolby Digital

## Other Connections

Connect your TV to external devices. For the best picture and audio quality, connect digital devices using an HDMI cable. Any separate cable is not provided.

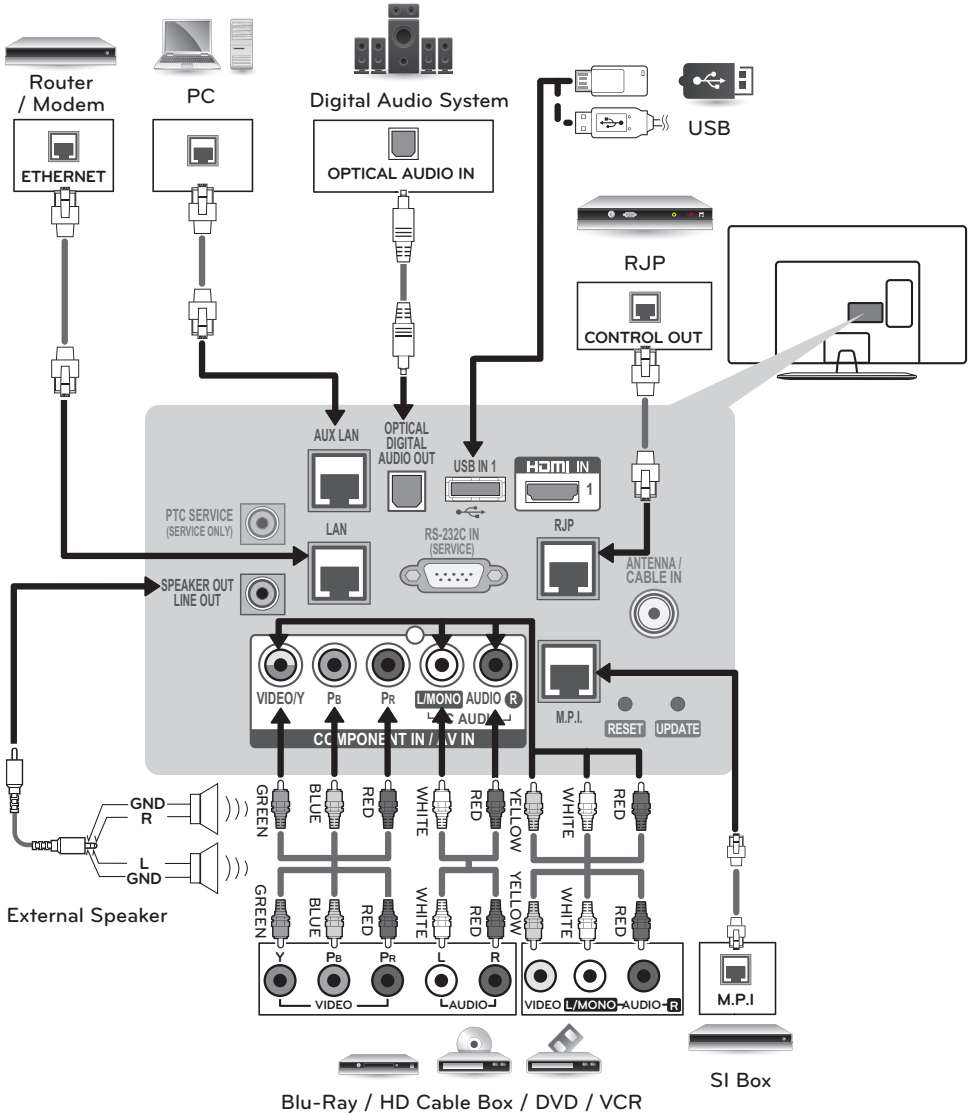
For LY750H series



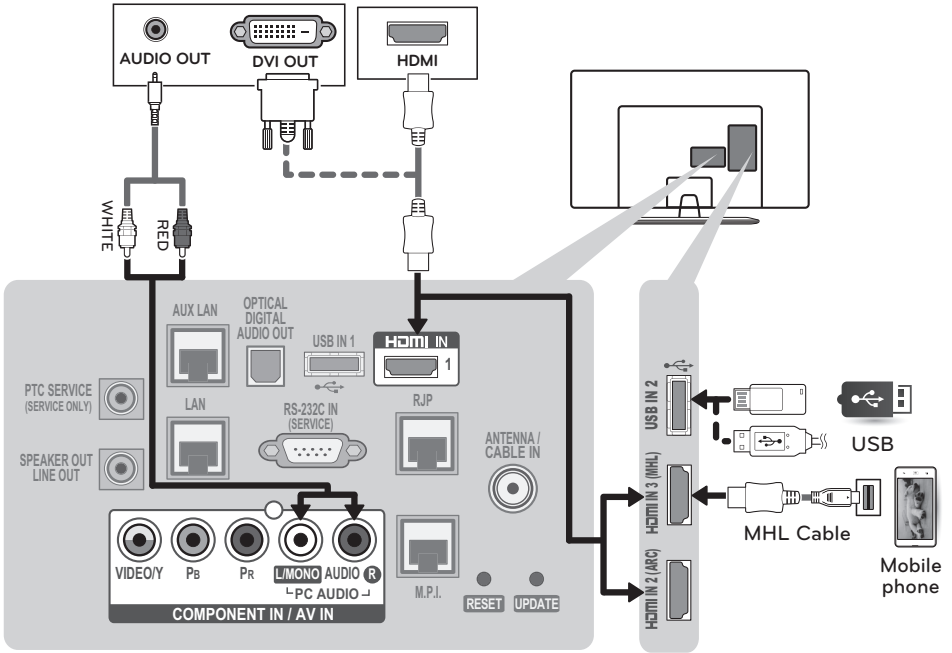


For LY760H series

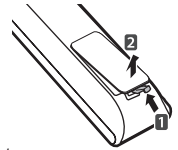
ENGLISH



Blu-Ray / HD Cable Box / HD STB / DVD / PC



# REMOTE CONTROL



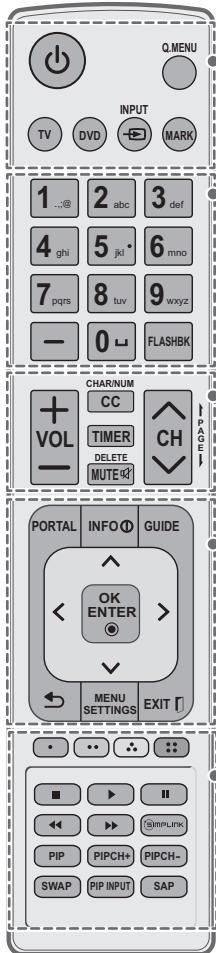
The descriptions in this manual are based on the buttons on the remote control. Please read this manual carefully and use the TV correctly. To install batteries, open the battery cover, replace batteries (1.5 V AAA) matching the ⊕ and ⊖ ends to the label inside the compartment, and close the battery cover. Failure to match the correct polarities of the battery may cause the battery to burst or leak, resulting in fire, personal injury, or ambient pollution. To remove the batteries, perform the installation actions in reverse.

**CAUTION**

- Do not mix old and new batteries, as this may damage the remote control.

This remote uses infrared light. When in use, it should be pointed in the direction of the TV's remote sensor.

**For LY750H series**

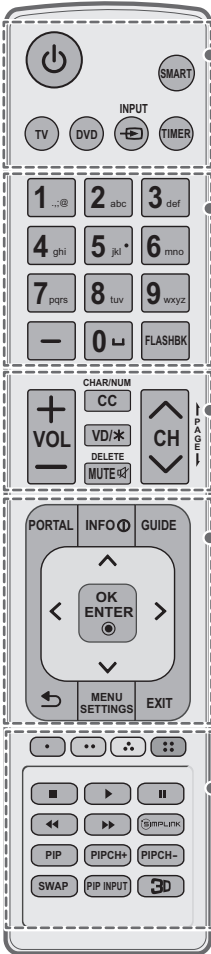


<p><b>⏻ (POWER)</b> Turns the TV on or off.</p> <p><b>Q.MENU</b> Not functional.</p> <p><b>TV</b> Selects the remote's operating mode: TV.</p> <p><b>DVD</b> Selects the remote's operating mode: DVD.</p> <p><b>INPUT</b> Changes the input source.</p> <p><b>MARK</b> Not functional</p>
<p><b>Number button</b> Enters numbers. Also supports characters.</p> <p><b>- (Dash)</b> Inserts a dash between numbers such as 2-1 and 2-2.</p> <p><b>FLASHBK</b> Tunes to the last channel or input viewed.</p>
<p><b>+ VOL -</b> Adjusts the volume level.</p> <p><b>CHARNUM</b> Switches between Letter and Number input modes.</p> <p><b>CC</b> Selects a closed caption.</p> <p><b>TIMER</b> Turns the TV off in a set amount of time.</p> <p><b>DELETE</b> Deletes letters and numbers.</p> <p><b>MUTE</b> Mutes all sounds.</p>
<p><b>^ CH v</b> Scrolls through the saved channels.</p> <p><b>↑ PAGE ↓</b> Moves to the previous or next screen.</p>
<p><b>PORTAL</b> Displays and removes the interactive menu.</p> <p><b>INFO</b> Views the information of the current program.</p> <p><b>GUIDE</b> Displays and removes the electronic program guide.</p> <p><b>Navigation buttons</b> (up/down/left/right) Scrolls through menus or options.</p> <p><b>OK/ENTER</b> Selects menus or options and confirms your input.</p> <p><b>↶ (BACK)</b> Returns to the previous screen.</p> <p><b>MENU/SETTINGS</b> Accesses the main menu.</p> <p><b>EXIT</b> Clears all on-screen displays and returns to TV viewing.</p>
<p><b>Color buttons</b> (■ : Red, ■ : Green, ■ : Yellow, ■ : Blue) These access special functions in some menu.</p> <p><b>Control buttons</b> (■, ▶, ⏸, ⏪, ⏩) Controls the MY MEDIA menus or the SIMPLINK compatible devices (USB, SIMPLINK).</p> <p><b>(SIMPLINK)</b> Accesses the AV devices connected to the TV; Opens the SIMPLINK menu.</p> <p><b>PIP</b> Enters the split screen mode. (Some input sources may not be displayed.)</p> <p><b>PIP CH +/-</b> Channel up or down the sub window.</p> <p><b>SWAP</b> Changes the main window and the sub window.</p> <p><b>PIP INPUT</b> Rotates through input of the sub window.</p> <p><b>SAP</b> Analog mode: Selects MTS sound (Mono, Stereo or SAP) DTV mode: Changes the audio language.</p>

ENGLISH



For LY760H series



<p><b>POWER</b> Turns the TV on or off.</p> <p><b>SMART</b> Accesses the Smart menu.</p> <p><b>TV</b> Selects the remote's operating mode: TV.</p> <p><b>DVD</b> Selects the remote's operating mode: DVD.</p> <p><b>INPUT</b> Changes the input source.</p> <p><b>TIMER</b> Turns the TV off in a set amount of time.</p>
<p><b>Number button</b> Enters numbers. Also supports characters.</p> <p><b>- (Dash)</b> Inserts a dash between numbers such as 2-1 and 2-2.</p> <p><b>FLASHBK</b> Tunes to the last channel or input viewed.</p> <p><b>+ VOL -</b> Adjusts the volume level.</p> <p><b>CHAR/NUM</b> Switches between Letter and Number input modes.</p> <p><b>CC</b> Selects a closed caption.</p> <p><b>VD/*</b> Enables VD function. SAP (Secondary Audio Program) feature can also be enabled by pressing the VD key.</p> <p><b>DELETE</b> Deletes letters and numbers.</p> <p><b>MUTE</b> Mutes all sounds.</p> <p><b>^ CH v</b> Scrolls through the saved channels.</p> <p><b>  PAGE  </b> Moves to the previous or next screen.</p>
<p><b>PORTAL</b> Displays and removes the interactive menu.</p> <p><b>INFO</b> Views the information of the current program.</p> <p><b>GUIDE</b> Displays and removes the electronic program guide.</p> <p><b>Navigation buttons</b> (up/down/left/right) Scrolls through menus or options.</p> <p><b>OK/ENTER</b> Selects menus or options and confirms your input.</p> <p><b>↶ (BACK)</b> Returns to the previous screen.</p> <p><b>MENU/SETTINGS</b> Accesses the main menu.</p> <p><b>EXIT</b> Clears all on-screen displays and returns to TV viewing.</p>
<p><b>Color buttons</b> (Red): Red, (Green): Green, (Yellow): Yellow, (Blue): Blue These access special functions in some menus.</p>
<p><b>Control buttons</b> (Stop, Play, Pause, Fast Forward, Fast Reverse) Controls the MY MEDIA menus or the SIMPLINK compatible devices (USB, SIMPLINK).</p> <p><b>SIMPLINK</b> Feature can only be enabled or disabled by installer menu settings. Configuration of this feature is not supported on TV remote control.</p> <p><b>PIP</b> Not functional</p> <p><b>PIP CH +/-</b> Not functional</p> <p><b>SWAP</b> Not functional</p> <p><b>PIP INPUT</b> Not functional</p> <p><b>3D</b> Not functional</p>

## SETTINGS

### To select Picture Mode

#### SETTINGS ⇒ PICTURE → Picture Mode

Select the picture mode optimized for the viewing environment or the program.

- **Vivid** Heightens contrast, brightness, and sharpness to display vivid images.
- **Standard** Displays images in standard levels of contrast, brightness and sharpness.
- **APS** APS (Auto power saving) mode reduces power consumption by dimming control.
- **Cinema / Game** Displays the optimum picture for movie or game.
- **Sport** Optimized picture mode for football matches. The pitch and kits are presented in vibrant colors, with crystal-clear images even for fast movements.
- **Expert** [Depending upon model]  
Menu for adjusting picture quality that allows experts and amateurs to enjoy the best TV viewing. This menu for adjustment is provided for ISF-certified picture tuning professionals. (ISF logo can be used only on ISF-certified TVs.)  
ISFccc: Imaging Science Foundation Certified Calibration Control
- Depending upon the input signal, the available range of picture modes may differ.
- **Expert** mode is for picture tuning professionals to control and fine-tune using a specific image. For normal images, the effects may not be drastic.

### To set Motion Eye Care

#### SETTINGS ⇒ PICTURE → Picture Mode → Picture Option

- **Motion Eye Care** Automatically adjusts brightness and reduces image blur based on image data to reduce eyestrain.

### To use Energy Saving feature

#### SETTINGS ⇒ PICTURE → Energy Saving

[Depending upon model]

Reduces power consumption by adjusting peak screen brightness.

- **Off** Turns off the Energy Saving.
- **Minimum / Medium / Maximum** Applies the pre-set Energy Saving.
- **Screen Off** Screen is turned off and only sound is played. Press any button on the remote control to turn the screen back on.

# MAINTENANCE

## Cleaning your TV

Clean your TV regularly to keep it at peak performance and to extend the product's lifespan.



### CAUTION

- Before cleaning, turn the power off and disconnect the power cord and all other cables.
- When the TV is left unattended or unused for a long time, disconnect the power cord from the wall outlet to prevent possible damage from lightning or power surges.

## Screen, Frame, Cabinet, and Stand

To remove dust or light dirt, wipe the surface with a dry, clean, and soft cloth.

To remove major dirt, wipe the surface with a soft cloth dampened in clean water or a diluted mild detergent. Then wipe immediately with a dry cloth.



### CAUTION

- Do not push, rub, or hit the surface with your fingernail or a sharp object, as this may result in scratches on the screen and image distortions.
- Do not use any chemicals, such as waxes, benzene, alcohol, thinners, insecticides, air fresheners, or lubricants, as these may damage the screen's finish and cause discoloration.
- Do not spray liquid onto the surface. If water enters the TV, it may result in fire, electric shock, or malfunction.

## Power Cord

Remove the accumulated dust or dirt on the power cord regularly.

## TROUBLESHOOTING

The software may be updated for improvement in performance. The customer is responsible to ensure the compatibility of their equipment with any LG Electronics software. If needed, please consult with LG Electronics and update new software versions according to the guidance provided by LG Electronics.

Problem	Solution
Cannot control the TV with the remote control.	<ul style="list-style-type: none"> <li>• Check if anything such as tape has been placed over the receiver.</li> <li>• Check if there is any obstacle between the product and the remote control.</li> <li>• Replace the batteries with new fresh ones.</li> </ul>
No image display and no sound is produced.	<ul style="list-style-type: none"> <li>• Check if the product is turned on.</li> <li>• Check if the power cord is connected to a wall outlet.</li> <li>• Check if there is a problem in the wall outlet by connecting other products.</li> </ul>
The TV turns off suddenly.	<ul style="list-style-type: none"> <li>• Check the power control settings. The power supply may be interrupted.</li> <li>• Check if the auto off feature is activated in the Time settings.</li> </ul>
When connecting to the PC (RGB/HDMI/DVI), <b>No signal</b> or <b>Invalid Format</b> is displayed.	<ul style="list-style-type: none"> <li>• Turn the TV off/on using the remote control.</li> <li>• Reconnect the RGB/HDMI/DVI cable.</li> <li>• Restart the PC with the TV on.</li> </ul>

# SPECIFICATIONS

Product specifications may be changed without prior notice due to upgrade of product functions.

<b>Power requirement</b>		AC 100 - 240 V ~ 50 / 60 Hz
<b>Television System</b>		ATSC, NTSC-M, 64 & 256 QAM
<b>Program Coverage</b>		VHF 2-13, UHF 14-69, DTV 2-69, CATV 1-135, CADTV 1-135
<b>External Antenna Impedance</b>		75 Ω
<b>Environment condition</b>	Operating Temperature	0 °C to 40 °C
	Operating Humidity	Less than 80 %
	Storage Temperature	-20 °C to 60 °C
	Storage Humidity	Less than 85 %

MODELS		32LY750H (32LY750H-UA)	32LY760H (32LY760H-UA)
Dimensions (W x H x D)	With stand	732 x 482 x 282 (mm)	
		28.8 x 18.9 x 11.1 (inches)	
	Without stand	732 x 437 x 55.5 (mm)	
		28.8 x 17.2 x 2.1 (inches)	
Weight	With stand	8.9 kg (19.6 lbs)	
	Without stand	6.0 kg (13.2 lbs)	
Current Value / Power Consumption		1.25 A / 75 W	

MODELS		39LY750H (39LY750H-UA)	39LY760H (39LY760H-UA)
Dimensions (W x H x D)	With stand	885 x 572 x 282 (mm)	
		34.8 x 22.5 x 11.1 (inches)	
	Without stand	885 x 524 x 55.5 (mm)	
		34.8 x 20.6 x 2.1 (inches)	
Weight	With stand	10.9 kg (24.0 lbs)	
	Without stand	8.0 kg (17.6 lbs)	
Current Value / Power Consumption		1.0 A / 100 W	

MODELS		42LY750H (42LY750H-UA)	42LY760H (42LY760H-UA)
Dimensions (W x H x D)	With stand	961 x 617 x 325 (mm)	
		37.8 x 24.2 x 12.7 (inches)	
	Without stand	961 x 567 x 55.5 (mm)	
		37.8 x 22.3 x 2.1 (inches)	
Weight	With stand	12.6 kg (27.7 lbs)	
	Without stand	9.2 kg (20.2 lbs)	
Current Value / Power Consumption		1.1 A / 110 W	

MODELS		47LY750H (47LY750H-UA)	47LY760H (47LY760H-UA)
Dimensions (W x H x D)	With stand	1,073 x 680 x 325 (mm)	
		42.2 x 26.7 x 12.7 (inches)	
	Without stand	1,073 x 629 x 55.8 (mm)	
		42.2 x 24.7 x 2.1 (inches)	
Weight	With stand	15.7 kg (34.6 lbs)	
	Without stand	12.3 kg (27.1 lbs)	
Current Value / Power Consumption		1.2 A / 120 W	

MODELS		55LY750H (55LY750H-UA)	55LY760H (55LY760H-UA)
Dimensions (W x H x D)	With stand	1,243 x 771 x 325 (mm)	
		48.9 x 30.3 x 12.7 (inches)	
	Without stand	1,243 x 725 x 56.8 (mm)	
		48.9 x 28.5 x 2.2 (inches)	
Weight	With stand	20.7 Kg (45.6 lbs)	
	Without stand	17.3 Kg (38.1 lbs)	
Current Value / Power Consumption		1.4 A / 140 W	

## HDMI (PC) supported mode

Resolution	Horizontal Frequency (kHz)	Vertical Frequency (Hz)
640 x 350	31.468	70.09
720 x 400	31.469	70.08
640 x 480	31.469	59.94
800 x 600	37.879	60.31
1024 x 768	48.363	60.00
1152 x 864	54.348	60.053
1360 x 768	47.712	60.015
1280 x 1024	63.981	60.02
1920 x 1080	67.50	60.00

## HDMI (DTV) supported mode

Resolution	Horizontal Frequency (kHz)	Vertical Frequency (Hz)
720 x 480p	31.47	59.94
	31.50	60.00
1280 x 720p	44.96	59.94
	45.00	60.00
1920 x 1080i	33.72	59.94
	33.75	60.00
1920 x 1080p	26.97	23.976
	27.00	24.00
	33.71	29.97
	33.75	30.00
	67.432	59.94
	67.50	60.00

**For LY750H series**

Wireless LAN module (WN8122E1) specification	
Standard	IEEE802.11a/b/g/n
Frequency range	2400 to 2483.5 MHz 5150 to 5250 MHz 5725 to 5850 MHz
Output power (Max.)	802.11a: 16.5 dBm 802.11b: 16 dBm 802.11g: 15.5 dBm 802.11n - 2.4 GHz: 15.5 dBm 802.11n - 5 GHz: 16.5 dBm
<ul style="list-style-type: none"> <li>• Because band channel used by the country could be different, the user can not change or adjust the operating frequency and this product is set for the regional frequency table.</li> <li>• This device should be installed and operated with minimum distance 20 cm (7.8 inches) between the device and your body. And this phrase is for the general statement for consideration of user environment.</li> <li>• Contains FCC ID: BEJWN8122E1</li> <li>• Contains IC: 2703H-WN8122E1</li> </ul>	

**For LY760H series**

Wireless module (LGSBW41) Specifications			
Wireless LAN		Bluetooth	
Standard	IEEE 802.11a/b/g/n	Standard	Bluetooth Version 3.0
Frequency range	2400 to 2483.5 MHz 5150 to 5250 MHz 5725 to 5850 MHz	Frequency range	2400 to 2483.5 MHz
Output power (Max.)	802.11a: 11.5 dBm 802.11b: 11 dBm 802.11g: 10.5 dBm 802.11n - 2.4 GHz: 11 dBm 802.11n - 5 GHz: 12.5 dBm	Output power (Max.)	10 dBm or Lower
<ul style="list-style-type: none"> <li>• Because band channel used by the country could be different, the user can not change or adjust the operating frequency and this product is set for the regional frequency table.</li> <li>• This device should be installed and operated with minimum distance 20 cm (7.8 inches) between the device and your body. And this phrase is for the general statement for consideration of user environment.</li> <li>• Contains FCC ID: BEJLGSBW41</li> <li>• Contains IC: 2703H-LGSBW41</li> </ul>			



The model and serial numbers of the TV are located on the back and on one side of the TV. Record them below should you ever need service.

**MODEL** \_\_\_\_\_

**SERIAL** \_\_\_\_\_



This product qualifies for ENERGY STAR in the factory default (Home configuration) setting. Changing the factory default settings or enabling other features may increase power consumption that could exceed the limits necessary to qualify for ENERGY STAR. Refer to [ENERGYSTAR.gov](http://ENERGYSTAR.gov) for more information on the ENERGY STAR program.





# MANUAL DEL USUARIO

# TELEVISOR LED\*

\* Los televisores con LED de LG tienen pantallas LCD con luces de fondo LED.

Lea atentamente este manual antes de poner en marcha el equipo y consérvelo para futuras consultas.

32LY750H	32LY760H
39LY750H	39LY760H
42LY750H	42LY760H
47LY750H	47LY760H
55LY750H	55LY760H

# INSTRUCCIONES DE SEGURIDAD IMPORTANTES

Siga siempre estas instrucciones para evitar situaciones peligrosas y garantizar el rendimiento máximo del producto.



**ADVERTENCIA/PRECAUCIÓN**  
RIESGO DE CHOQUE ELÉCTRICO NO ABRIR



PARA REDUCIR EL RIESGO DE DESCARGAS ELÉCTRICAS, NO quite la cubierta (o la parte posterior). EL USUARIO NO PUEDE CAMBIAR NI REPARAR LOS COMPONENTES INTERNOS. CONSULTE ÚNICAMENTE AL PERSONAL DE SERVICIO CALIFICADO.

**⚡** El símbolo de relámpago con una punta de flecha, dentro de un triángulo equilátero, tiene como fin alertar al usuario sobre la presencia en el producto de voltaje peligroso sin aislar que puede tener la potencia suficiente para presentar riesgo de descargas eléctricas a los usuarios.

**⚠** El signo de admiración dentro de un triángulo equilátero tiene el fin de alertar al usuario sobre la presencia de instrucciones importantes de funcionamiento y de mantenimiento (servicio) en el folleto que acompaña al equipo.

**ADVERTENCIA/PRECAUCIÓN**  
- PARA REDUCIR EL RIESGO DE INCENDIOS O DESCARGAS ELÉCTRICAS, NO EXPONGA EL PRODUCTO A LA LLUVIA O LA HUMEDAD.

**⚠ ADVERTENCIA**  
Si ignora el mensaje de advertencia, puede sufrir lesiones graves, accidentes o la muerte.

**⚠ PRECAUCIÓN**  
Si ignora el mensaje de precaución, puede sufrir heridas leves o provocar daños en el producto.

**❗ NOTA**  
La nota le ayuda a comprender y a utilizar el producto de forma segura. Lea la nota cuidadosamente antes de utilizar el producto.

Lea estas instrucciones.  
Conserve estas instrucciones.  
Preste atención a las advertencias.  
Siga todas las instrucciones.



- No use el aparato cerca del agua.



- Limpie únicamente con un paño seco.



- No tape ni bloquee las aberturas de ventilación. Realice la instalación siguiendo las instrucciones del fabricante.



- No instale el producto cerca de fuentes de calor como radiadores, rejillas de calefacción central, estufas u otro tipo de aparatos que emitan calor (incluidos los amplificadores).



- No anule el propósito de seguridad del enchufe polarizado o del enchufe a tierra. Un enchufe polarizado tiene dos clavijas, una más ancha que la otra. Un enchufe a tierra tiene dos clavijas y un tercer terminal de puesta a tierra. La clavija ancha o el terminal de puesta a tierra se proveen para proteger al usuario. Si el enchufe del equipo no entra en la toma, consulte a un electricista para cambiar el tomacorriente.



- Asegúrese de que el cable de alimentación esté protegido para evitar que lo pisen o aplasten, especialmente en los enchufes, los tomacorrientes o el punto de salida desde el aparato.



- Use únicamente los accesorios recomendados por el fabricante.



- Use el producto únicamente en mesas portátiles, pies, trípodes, soportes o mesas indicados por el fabricante o provistos con el aparato. Al emplear una mesa portátil, tenga cuidado al moverla con el aparato encima, para evitar daños por caídas.



- Desenchufe el aparato durante tormentas eléctricas o si no planea usarlo durante un periodo prolongado.



- Consulte todas las cuestiones de servicio de mantenimiento al personal de servicio calificado. El servicio es necesario cuando el aparato sufre algún tipo de daño, por ejemplo, cuando un cable de suministro eléctrico o un conector está dañado, se derrama líquido o se cae un objeto dentro del aparato, el aparato se expone a la lluvia o a la humedad, no funciona en forma normal o sufre una caída.



- No ejerza demasiada presión sobre el panel con la mano ni con objetos punzantes, como un clavo, una lapicera o un lápiz, ni raye la superficie.



- No inserte objetos de metal u otro material conductor en el cable de alimentación. No toque el extremo del cable de alimentación mientras esté enchufado.
- Mantenga el material de empaque contra la humedad y el empaque de vinilo fuera del alcance de los niños. El material contra la humedad es dañino si se ingiere. Si se ingiere por error, se debe inducir el vómito e ir al hospital más cercano. Además, el empaque de vinilo puede provocar asfixia. Manténgalo fuera del alcance de los niños.



- **Advertencia** - para disminuir los riesgos de incendio o descargas eléctricas, no exponga el producto a la lluvia, la humedad u otro tipo de líquidos. No toque el televisor con las manos mojadas. No instale el producto cerca de objetos inflamables como combustible o velas, ni lo exponga al aire acondicionado directo.

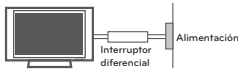


- No exponga el producto a ningún tipo de goteo ni salpicaduras, y no coloque sobre o por encima del televisor (por ejemplo, en estantes que pudieran encontrarse arriba de la unidad) ningún tipo de objeto que contenga líquido, como floreros, tazas, etc.



**• Puesta a tierra**

(Excepto dispositivos sin conexión a tierra.) Asegúrese de que el cable de puesta a tierra esté conectado para evitar descargas eléctricas (es decir, un televisor con un enchufe de ca de tres clavijas debe conectarse a un tomacorriente de ca con puesta a tierra de tres clavijas). Si no puede colocarse ninguna puesta a tierra, solicite a un electricista calificado que instale un disyuntor. No intente improvisar una puesta a tierra con conexiones a cables de teléfono, pararrayos o tuberías de gas.

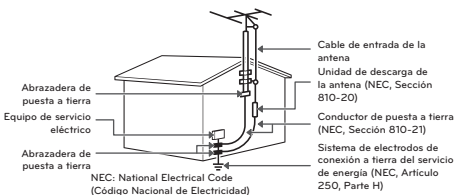


- Mientras la unidad esté conectada al tomacorriente de ca de la pared, no se desconectará de la fuente de alimentación de ca aún cuando el aparato esté apagado.
- No intente modificar este producto de ninguna manera sin autorización previa por escrito de LG Electronics. Cualquier tipo de modificación sin autorización previa podría anular la autoridad del usuario para usar el producto.

**• Puesta a tierra con una antena exterior**

(puede variar según el país): Si instala una antena exterior, tome las siguientes precauciones. No se debe instalar el sistema de antena exterior cerca de las líneas aéreas de transmisión de energía, de ningún circuito o luz eléctrica, ni en ningún lugar donde pudiera entrar en contacto con este tipo de cables eléctricos o circuitos, dado que podría provocar daños graves o incluso la muerte. Asegúrese de que el sistema de antena tenga una puesta a tierra para proteger contra sobretensiones y acumulaciones de cargas estáticas. La Sección 810 del Código Nacional de Electricidad (NEC) de los Estados Unidos establece la forma de realizar una puesta a tierra correcta del mástil, de la estructura de soporte, del cable de bajada a una unidad de descarga de la antena, el tamaño de los conductores de puesta a tierra, la ubicación de la unidad de descarga de la antena, y la conexión y los requisitos de los electrodos de puesta a tierra

**Puesta a tierra de la antena según el Código Nacional de Electricidad, ANSI/NFPA 70**



**• Limpieza**

Al efectuar la limpieza, desenchufe el cable de alimentación y limpie suavemente con un paño suave para no rayar la superficie. No rocíe con agua ni otros líquidos directamente sobre el televisor, dado que podría provocar una descarga eléctrica. No limpie con productos químicos como alcohol, diluyentes o bencina.

**• Traslados**

Asegúrese de que el aparato esté apagado, desenchufado y que no quede ningún cable conectado. Es posible que se necesiten dos personas para trasladar los televisores de gran tamaño. No ejerza presión ni empuje el panel frontal del televisor.

**• Ventilación**

Instale el televisor en un lugar bien ventilado. No lo coloque en un lugar cerrado como, por ejemplo, un estante para libros. No cubra el producto con telas ni ningún otro material mientras esté enchufado. No lo instale en lugares con demasiado polvo.

- Si huele humo u otros olores que provienen de la TV, desconecte el cable de alimentación y comuníquese con un centro de servicio autorizado.
- Mantenga el aparato alejado de la luz solar directa.
- Nunca toque el aparato o la antena durante una tormenta eléctrica o con truenos.
- Al montar el televisor en la pared, asegúrese de que los cables de alimentación y de señal no queden colgando en la parte posterior.
- No permita que se golpee el producto o que algún objeto se caiga dentro de él, ni que se golpee la pantalla.

**• DESCONEXIÓN DEL DISPOSITIVO DE LA ALIMENTACIÓN PRINCIPAL**

El enchufe de alimentación se desconecta del dispositivo. En caso de una emergencia, el enchufe debe estar siempre accesible.

**• Baterías**

Guarde los accesorios (baterías, etc.) en un lugar seguro lejos del alcance de los niños.

- Este aparato usa baterías. Puede ser que en su comunidad existan normativas que requieren que deseche estas baterías de forma correcta debido a las consideraciones ambientales. Póngase en contacto con la autoridad local para obtener información acerca del desecho o reciclaje.

- No deseche las baterías en el fuego.
- No provoque cortes de circuitos, desarme ni permita que las baterías se sobrecalienten
- No utilice equipo de alto voltaje cerca de la TV, (por ejemplo, eliminador de insectos eléctrico). Esto puede causar que el producto funcione mal.

#### • Aparición de puntos

El panel es un producto de alta tecnología con una resolución de entre dos y seis millones de píxeles. En raras ocasiones, es posible que note la presencia de pequeños puntos en la pantalla mientras mira televisión. Estos puntos son píxeles desactivados y no afectan el rendimiento ni la fiabilidad del televisor.

#### • Reproducción de ruidos

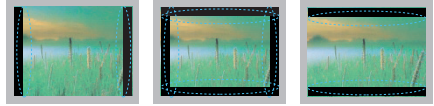
**Crujidos** es posible que se produzcan crujidos cuando esté mirando televisión o al apagar el televisor; se trata de un ruido generado por la contracción térmica del plástico debido a la temperatura y la humedad. Este ruido es común en productos donde se requiere la deformación térmica.

#### **Zumbidos en el circuito eléctrico o el panel**

se trata de un ruido de bajo nivel, generado por un circuito de conmutación de alta velocidad, que suministra una gran cantidad de corriente para que un producto pueda funcionar. Varía según cada producto. Este ruido no afecta el rendimiento ni la fiabilidad del producto.

- Tenga cuidado de no tocar las aberturas de ventilación. Al mirar televisión durante largos periodos, las aberturas de ventilación pueden calentarse. Esto no afecta el rendimiento ni causa defectos en el producto.
- No instale este producto en una pared si podría ser expuesto a aceite o vapor de aceite. Esto podría dañar el producto y hacer que se caiga.
- Si siente que el televisor está frío al tocarlo, es posible que ocurra un pequeño parpadeo cuando lo prenda. Se trata de algo normal y no significa que el televisor esté dañado. También es posible que aparezcan pequeños puntos en la pantalla, de color rojo, verde o azul. Sin embargo, no afectan el rendimiento del televisor. No toque la pantalla LCD ni coloque los dedos sobre ella durante mucho tiempo. Esto podría producir algunos efectos de distorsión temporales en la pantalla.

### Cómo evitar el efecto de degradación de la imagen por sobreexposición o quemadura de pantalla del televisor



- Si se muestra una imagen fija en la pantalla del televisor durante un período largo, esta quedará impresa y se convertirá en una distorsión permanente de la pantalla. A este desperfecto se lo conoce como degradación de la imagen por sobreexposición o quemadura de pantalla y no está cubierto por la garantía.
- Si la relación de aspecto del televisor se establece durante mucho tiempo en 4:3 se puede producir una degradación de imagen en las zonas de bandas del formato buzón.
- Evite emitir imágenes fijas en la pantalla del televisor durante períodos prolongados para evitar la degradación de imagen.

## LICENCIAS

Las licencias admitidas pueden variar según el modelo. Para obtener más información sobre las licencias, visite [www.lg.com](http://www.lg.com).



Fabricado con la autorización de Dolby Laboratories. Dolby y el símbolo de doble D son marcas comerciales de Dolby Laboratories.



Los términos HDMI y HDMI High-Definition Multimedia Interface, y el Logotipo HDMI son marcas comerciales o marcas registradas de HDMI Licensing LLC en los Estados Unidos y otros países.



Este dispositivo con certificación DivX Certified® ha pasado por un riguroso proceso de pruebas para asegurarse que puede reproducir videos DivX®. Para reproducir películas DivX que compró, primero registre su dispositivo en [vod.divx.com](http://vod.divx.com). Encuentre el código de registro en la sección DivX VOD del menú de configuración de su dispositivo. Certificación DivX Certified® para reproducir videos DivX® hasta HD 1 080 pixeles progresivo, incluido el contenido premium. DivX®, DivX Certified® y los logotipos asociados son marcas registradas de DivX, LLC y se usan con licencia.

Cubierto por una o varias de las siguientes patentes de los Estados Unidos: 7.295.673; 7.460.668; 7.515.710; 7.519.274.



Para las patentes, consulte <http://patents.dts.com>. Fabricado bajo licencia de DTS Licensing Limited y el símbolo en conjunto son marcas comerciales registradas & DTS 2.0+ Digital Out es una marca comercial de DTS, Inc. © DTS, Inc. Todos los derechos reservados.

## SOFTWARE DE CÓDIGO ABIERTO

Para obtener el código fuente bajo GPL, LGPL, MPL y otras licencias de código abierto que contiene este producto, visite <http://opensource.lge.com>. Además del código fuente, se pueden descargar los términos de la licencia, las anulaciones de la garantía y los avisos de derechos de autor.

LG Electronics también le proporcionará el código fuente abierto en un CD-ROM con un cargo que cubra el costo de realizar tal distribución (como el costo de los medios, el envío y el manejo) con una previa solicitud por correo electrónico a [opensource@lge.com](mailto:opensource@lge.com). Esta oferta es válida durante tres (3) años a partir de la fecha de adquisición del producto.

### ! NOTA

- La imagen puede ser diferente a la de su televisor.
- El OSD (On Screen Display, Despliegue En la Pantalla) de su TV puede ser un poco diferente que este manual.
- Los menús y las opciones disponibles pueden variar según la fuente de entrada o el modelo de producto que utilice.
- Es posible que se agreguen nuevas funciones a este televisor en el futuro.

# CONTENIDO

## 2 INSTRUCCIONES DE SEGURIDAD IMPORTANTES

---

## 6 LICENCIAS

---

## 6 SOFTWARE DE CÓDIGO ABIERTO

---

## 7 CONTENIDO

---

## 8 MONTAJE Y PREPARACIÓN

---

- 8 Desempacar
- 9 Complementos opcionales
- 10 Componentes y botones
- 11 - Uso del botón de control
- 12 Levantar y trasladar el televisor
- 12 Configurar el televisor
  - 12 - Colocar la base de la televisión
  - 15 - Montar sobre una mesa
  - 17 - Montar en la pared
  - 18 - Sujeción de los cables

## 19 ESTABLECER CONEXIONES

---

- 19 Conexión de una antena o un cable
- 20 Otras conexiones

## 24 CONTROL REMOTO

---

## 26 CONFIGURACIÓN

---

## 27 MANTENIMIENTO

---

- 27 Limpieza del televisor
  - 27 - Pantalla, marco, gabinete y base
  - 27 - Cable de alimentación

## 28 SOLUCIÓN DE PROBLEMAS

---

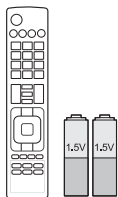
## 29 ESPECIFICACIONES

---

# MONTAJE Y PREPARACIÓN

## Desempacar

Verifique que la caja del producto contenga los siguientes elementos. Si falta algún accesorio, comuníquese con el distribuidor local mediante el cual adquirió el producto. Las ilustraciones de este manual pueden diferir del producto que usted adquirió.



**Control remoto,  
Baterías (AAA)**

(Para 32/39LY750H,  
32/39LY760H)

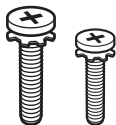


**Tornillos de soporte**  
6 PZ, M4 x L20



**Manual del usuario**

(Para 42/47/55LY750H,  
42/47/55LY760H)



**Tornillos de soporte**  
4 PZ, M4 x L20  
4 PZ, M4 x L14

(Para  
39/42/47/55LY750H,  
39/42/47/55LY760H)

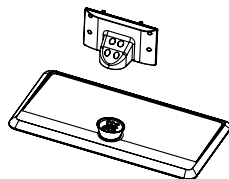


**Cable de  
alimentación**

(Para 42LY750H,  
42LY760H)



**Separador interno**  
2 PZ



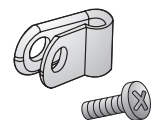
**Base Soporte,  
Cuerpo de Soporte**



**Goma de protección**  
2 PZ



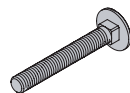
**Sujetacables**  
1 PZ



**Soporte del cable de  
alimentación y tornillo**  
1 PZ



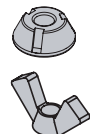
**Tornillo cabeza de  
estrella torque plus**  
2 PZ



**Tornillos para fijar base**  
2 PZ



**Rondanas para fijar  
base**  
2 PZ



**Tuercas para fijar base**  
2 PZ

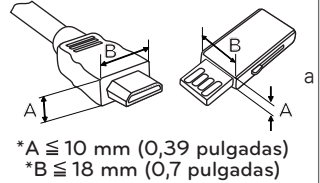


### ⚠ PRECAUCIÓN

- No use ningún producto no autorizado para garantizar la seguridad y la vida útil del producto.
- Ningun daño o lesiones por el uso de elementos no autorizados no están cubiertos por la garantía.
- En algunos modelos, la película delgada sobre la pantalla forma parte del televisor. Por ese motivo, no debe quitarla.

### ⚠ NOTA

- Los artículos suministrados con el producto adquirido pueden variar según el modelo.
- Es posible que cambien las especificaciones del producto o el contenido del manual sin previo aviso debido las actualizaciones de las funciones del producto.
- Para que la conexión sea óptima, los cables HDMI y los dispositivos USB tienen que tener biselos que no superen los 10 mm de espesor y 18 mm de ancho.
- Utilice un cable de extensión que sea compatible con USB 2.0 en caso de que el cable USB o la tarjeta de memoria USB no encajen en el puerto USB del TV.
- Utilice un cable certificado con el logotipo de HDMI adjunto. Si no utiliza un cable HDMI certificado, es posible que la pantalla no muestre imágenes o que ocurra un error de conexión.
- Tipos de cable HDMI recomendados
  - Cable HDMI<sup>®/TM</sup> de alta velocidad
  - Cable HDMI<sup>®/TM</sup> de alta velocidad con Ethernet



## Complementos opcionales

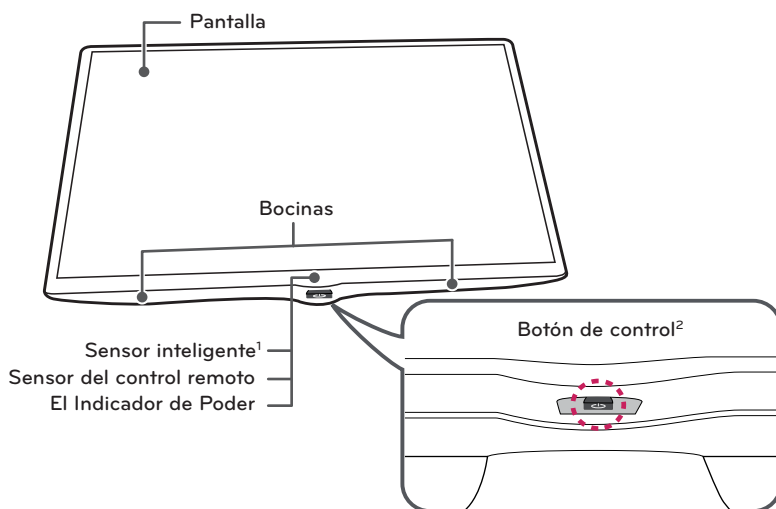
Los complementos opcionales se pueden cambiar o modificar para mejorar la calidad, sin necesidad de aviso previo. Para adquirir estos elementos, comuníquese con su distribuidor. Estos dispositivos solo funcionarán en ciertos modelos. Es posible que el nombre o el diseño del modelo hayan cambiado, debido a las circunstancias o políticas del fabricante.

**AN-MR300** (Para series LY750H)

**AN-MR500** (Para series LY760H)

Remoto Mágico

## Componentes y botones



1. Sensor inteligente - ajusta la calidad y el brillo de la imagen en función del entorno.
2. El botón de control se encuentra debajo de la pantalla del TV.





### ! NOTA

- Puede ajustar el indicador de poder de encendido a apagado seleccionando **OPCIÓN** o **General** en los menús principales. (Según el modelo)

## Uso del botón de control

Simplemente puede operar las funciones de la TV, presionando o moviendo el botón de control hacia arriba, abajo, izquierda o derecha.

### Funciones Básicas

	<b>Encendido</b>	Cuando la TV está apagada, coloque el dedo en el botón de control y presione una vez y suéltelo.
	<b>Apagado</b>	Cuando la TV está encendida, coloque el dedo en el botón de control y presione unos segundos y suéltelo. (Sin embargo, si el Menú del botón está en la pantalla, presione y mantenga pulsado el botón de control, esto le permitirá salir del menú.)
	<b>Control de Volumen</b>	Si coloca su dedo sobre el botón de control y lo mueve hacia la izquierda o la derecha, puede ajustar el nivel de volumen que desee.
	<b>Control de Canales</b>	Si coloca su dedo sobre el botón de control y lo mueve hacia arriba o abajo, puede desplazarse a través de los canales guardados que desee.





### ! NOTA

- Con el dedo sobre el botón de control, muévalo hacia arriba, abajo, izquierda o derecha, tenga cuidado de no presionar el botón de control. Si presiona primero el botón de control, es posible que no pueda ajustar el nivel de volumen y/o desplazarse por los canales guardados.

### Ajustar el Menú

(Para series LY760H)

Cuando la TV está encendida, presione el botón de control una vez. Puede ajustar los elementos del menú (🔌, ✕, 📺) moviendo el botón de control hacia arriba, abajo, izquierda o derecha.

		<b>Apagar TV</b>	Apagar alimentación.
		<b>Cerrar</b>	Limpia la visualización en pantalla y vuelve al modo de TV.
		<b>Lista de entradas</b>	Accesar a las fuentes de entrada.

## Levantar y trasladar el televisor

Si desea levantar o trasladar el televisor, lea las instrucciones a continuación para no rayar o dañar el aparato, y para transportarlo de forma segura, independientemente del tamaño o tipo de aparato.

### ⚠ PRECAUCIÓN

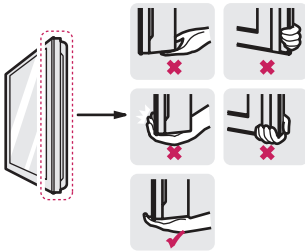
- No toque la pantalla. De lo contrario, podría dañarla.
- No coloque el producto en el piso con la parte frontal hacia abajo sin una almohadilla. Al hacerlo puede causar daños a la pantalla.

- Se recomienda trasladar el televisor en la caja o el material de empaque en el que lo recibió al comprarlo.
- Antes de mover o levantar el televisor, desconecte el cable de alimentación y el resto de los cables.

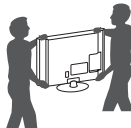
- Cuando sostenga el televisor, la pantalla debe mirar hacia afuera para evitar daños.



- Sostenga con firmeza la parte superior e inferior del marco del televisor. Asegúrese de no sostenerlo por la parte transparente, por la bocina o por el área de rejillas de las bocinas.



- Utilizar al menos dos personas para mover un televisor grande.
- Al transportar el televisor con las manos, sosténgalo como se indica en esta ilustración.



- Al transportar el televisor, no lo someta a sacudones o vibración excesiva.
- Al transportar el televisor manténgalo en posición vertical, nunca lo apoye sobre uno de los costados, ni lo incline hacia la derecha o la izquierda.

## Configurar el televisor

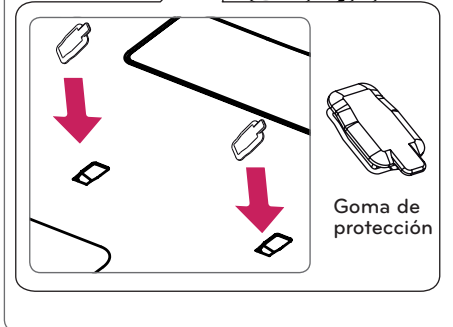
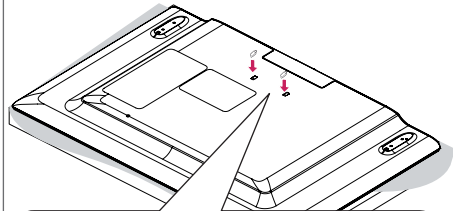
### Colocar la base de la televisión

#### ⚠ PRECAUCIÓN

- Al instalar la base del televisor, ponga la pantalla hacia abajo sobre una mesa acolchada o una superficie plana para evitar rayas.

#### ! NOTA

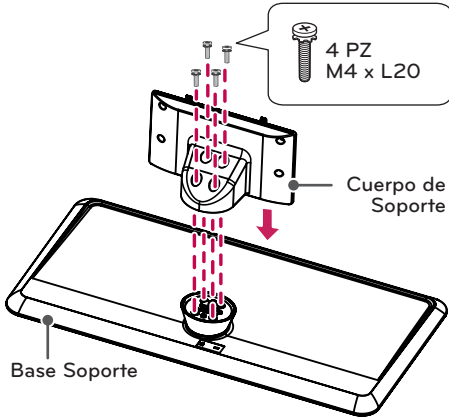
- Asegúrese de sujetar la base cuando la coloque en la TV para evitar que la base o el televisor se caiga.
- Antes de montar el televisor en la pared, retire la base, realizando la instalación de ésta en orden inverso.
- La Goma de protección protegerá la apertura de la acumulación de polvo y suciedad. Cuando instale el soporte de pared, utilice la Goma de protección.



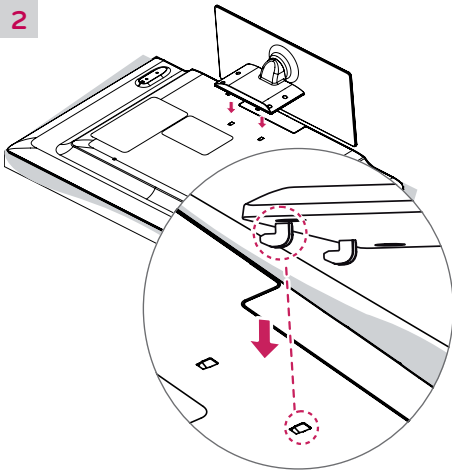
Goma de protección

(Para 42/47/55LY750H, 42/47/55LY760H)

1



2



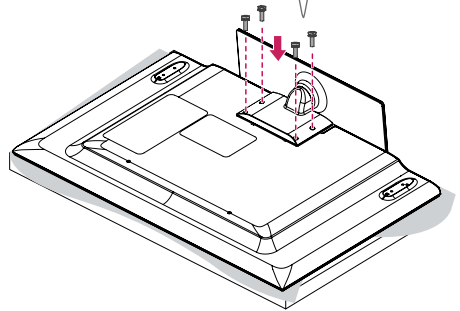
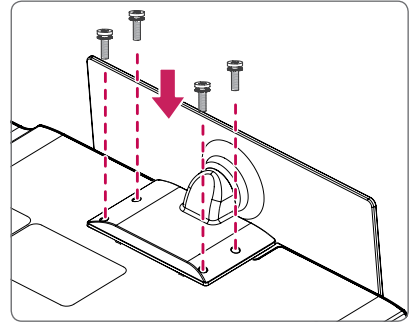
3

4 PZ  
M4 x L14

o

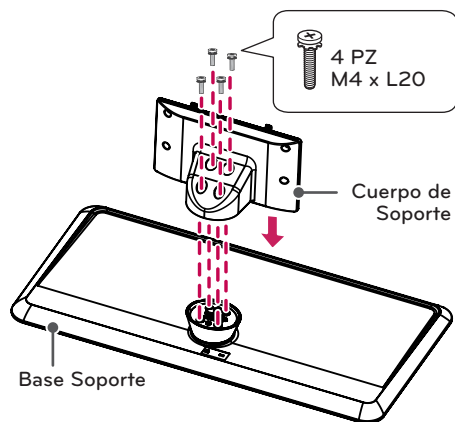
2 PZ      2 PZ

Para asegurar la TV, apriete los dos tornillos Phillips y los dos tornillos con cabeza en forma de estrella Torx Plus, que se le proporcionan. Apriete los dos tornillos con cabeza en forma de estrella Torx Plus con un destornillador para cabezas en forma de estrella (no incluido).

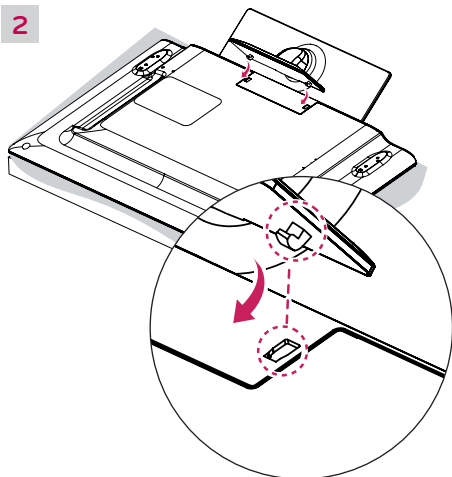


(Para 32/39LY750H, 32/39LY760H)

1



2

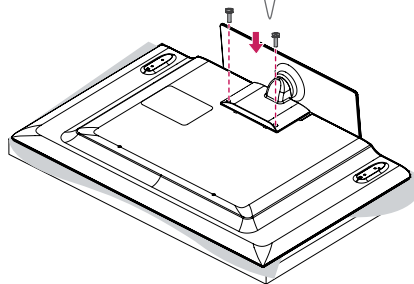
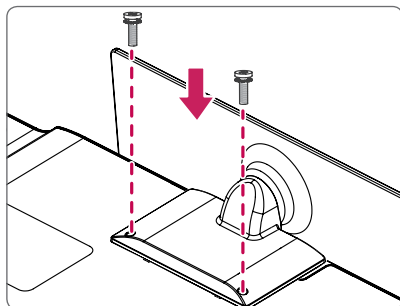


3

2 PZ  
M4 x L20

o

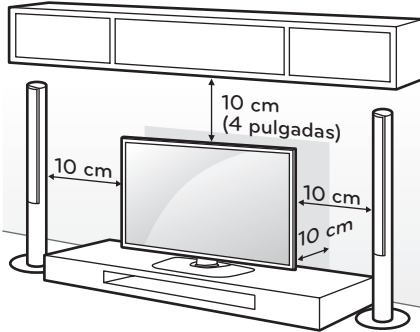
2 PZ Apriete los dos tornillos con cabeza en forma de estrella Torx Plus con un destornillador para cabezas en forma de estrella (no incluido).

**! NOTA**

- Al instalar los tornillos, asegúrese de que se encuentren en los lugares correctos para el modelo correspondiente.

## Montar sobre una mesa

- Levante el televisor y déjelo en posición vertical sobre la mesa.
  - Deje un espacio mínimo de 10 cm (4 pulgadas) entre el televisor y la pared para garantizar una ventilación adecuada.



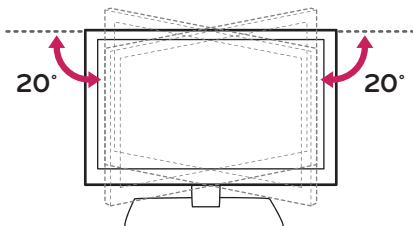
- Conecte el cable de alimentación al tomacorriente de la pared.

### ⚠ PRECAUCIÓN

- No colocar la televisión cerca de fuentes de calor, puede resultar quemada u ocasionar otro daño.

### Ajuste el ángulo del TV para una mejor visibilidad

Rote el aparato 20 grados hacia la izquierda o la derecha y ajuste el ángulo del televisor según su preferencia.



### ⚠ PRECAUCIÓN

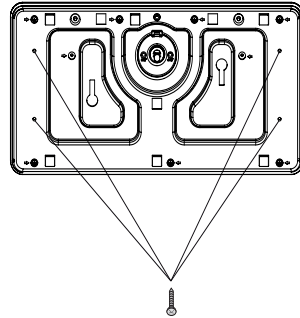
- Al ajustar el ángulo del televisor, tenga cuidado con sus dedos.
  - Si los dedos o las manos quedan atrapados, se pueden provocar lesiones corporales. Si el producto se inclina demasiado, podría caerse, lo que podría provocar lesiones o daños.

## Unión del televisor a un escritorio

(Según el modelo)

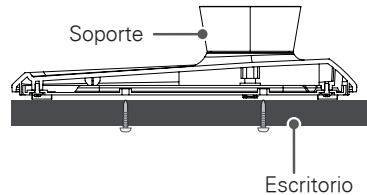
Recomendamos que el televisor se una a un escritorio, de modo que no se mueva hacia adelante o hacia atrás, causando posibles lesiones o daños en el producto.

TIPO 1



4-Tornillos

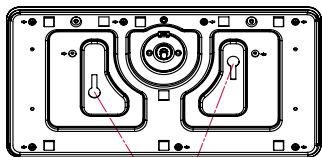
(no se incluyen como piezas del producto)



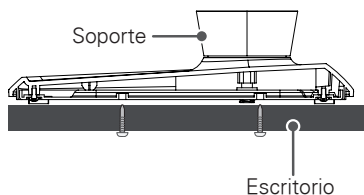
### ! NOTA

- Tornillo: M5 x L  
 (\*L: Profundidad de Mesa + 8 a 10 mm)  
 Ejemplo) Profundidad de Mesa: 15mm  
 Tornillo: M5 x 25

## TIPO 2

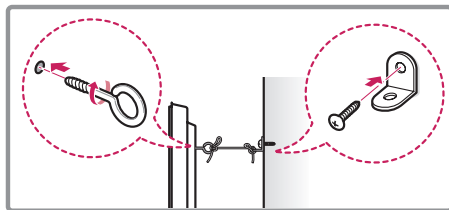
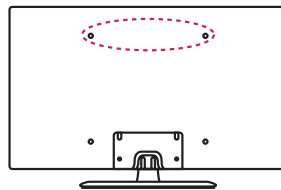


2 Tornillos, 2 Rondanas, 2 Tuercas  
(proporcionados como partes del producto)



## Fijación del televisor a la pared (opcional)

(Según el modelo)



- 1 Inserte y ajuste los tornillos de ojo del televisor en su parte posterior.  
- En caso de que haya tornillos insertados, primero retírelos.
- 2 Utilice los tornillos para colocar los soportes correspondientes en la pared.  
Acople el soporte de la pared con los tornillos de ojo a la parte posterior del televisor.
- 3 Conecte los tornillos de ojo y los soportes con un cordón fuerte y ajústelos con firmeza.  
Asegúrese de mantener el cordón en posición horizontal a la superficie plana.

**PRECAUCIÓN**

- Asegúrese de que los niños no se suban al televisor ni se cuelguen de él.

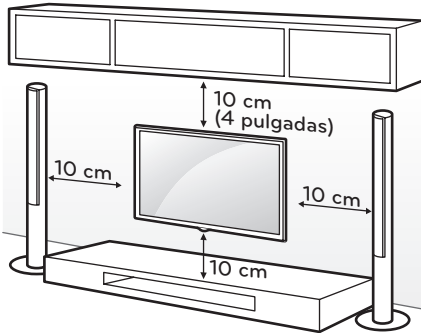
**NOTA**

- Utilice una plataforma o un armario que sea lo suficientemente fuerte y grande para sostener el televisor de manera segura.
- Los soportes, los tornillos y los cordones son opcionales. Puede solicitar otros accesorios a través de su distribuidor local



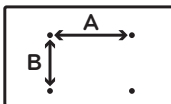
## Montar en la pared

Se puede usar un soporte de pared opcional con el televisor LG. Consulte al distribuidor local para adquirir un soporte de pared que cumpla con el estándar VESA que usa su modelo de TV. Cuidadosamente coloque el soporte de pared en la parte posterior del TV. Instale el soporte de pared en una pared sólida, perpendicular al piso. Si va a instalar el TV sobre otros materiales de construcción, póngase en contacto con personal técnico calificado para instalar el soporte de pared. El soporte de pared incluirá instrucciones detalladas. Recomendamos que use un soporte de pared de marca LG. Cuando no utilice el soporte de montaje de pared LG, por favor, utilice un soporte de montaje de pared en el que el dispositivo esté debidamente sujeto a la pared con el espacio suficiente para permitir la conectividad con dispositivos externos.



Asegúrese de utilizar tornillos y soportes de pared que cumplan con el estándar VESA. En la tabla siguiente se detallan las dimensiones de los conjuntos de montaje de pared.

Modelo	32LY750H	42LY750H
	32LY760H	42LY760H
	39LY750H	47LY750H
	39LY760H	47LY760H
		55LY750H
VESA (A x B)	200 x 200 mm	400 x 400 mm
Tornillo estándar	M6	M6
Cantidad de tornillos	4	4
Soporte de pared (opcional)	LSW240B MSW240	LSW440B MSW240

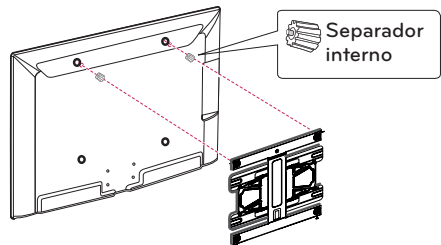


## ⚠ PRECAUCIÓN

- Antes de mover o instalar el televisor, desconecte el cable de alimentación. De lo contrario, podría provocar una descarga eléctrica.
- Si instala el televisor en el techo o en una pared inclinada, podría caerse y provocar lesiones graves. Utilice un soporte de pared autorizado por LG y comuníquese con el distribuidor local o con personal técnico calificado.
- No ajuste excesivamente los tornillos, dado que podría dañar el televisor y anular la garantía.
- Utilice tornillos y soportes de pared que cumplan con la norma VESA. La garantía no cubre daños o lesiones provocados por el uso incorrecto del aparato o de accesorios no autorizados.

## ! NOTA

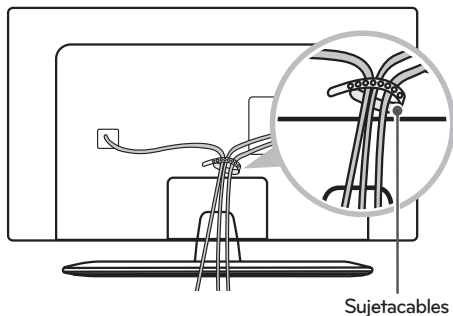
- Utilice los tornillos enumerados en las especificaciones del estándar VESA.
- El conjunto de montaje de pared incluye un manual de instalación y las piezas necesarias.
- El soporte de pared es opcional. Para obtener accesorios adicionales, comuníquese con su distribuidor local.
- La longitud de los tornillos puede variar según el tipo de soporte de pared. Asegúrese de utilizar la longitud adecuada.
- Para obtener más información, consulte el manual suministrado con el montaje de pared.
- Al colocar un Soporte de montaje para la televisión, insertar los separadores interiores en los agujeros de montaje de la televisión para moverla en un ángulo vertical. (Para 42LY750H, 42LY760H)



## Sujeción de los cables

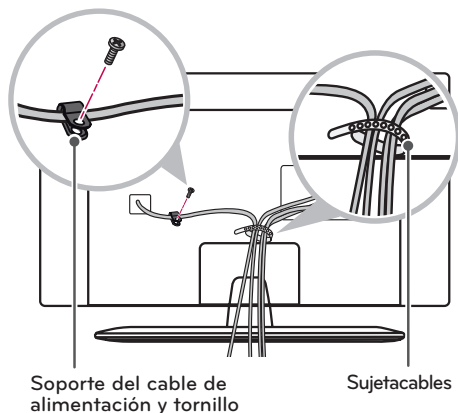
Para 32LY750H, 32LY760H

- 1 Agrupe y ate los cables con el sujetacables.



Para 39/42/47/55LY750H,  
39/42/47/55LY760H

- 1 Instale el cable de alimentación y el soporte del cable. Esto ayudará a evitar que el cable de alimentación se desconecte por accidente.
- 2 Agrupe y ate los cables con el sujetacables.



## ESTABLECER CONEXIONES

- La imagen puede ser diferente a la de su televisor.

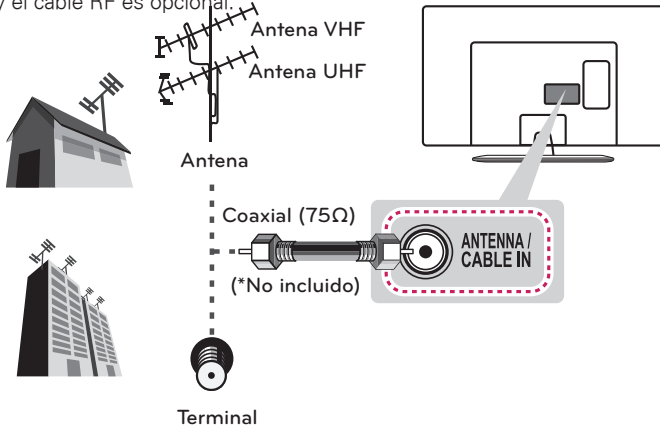
Se pueden conectar dispositivos externos al TV. Los dispositivos externos compatibles son: receptores de HD, reproductores de DVD, VCR, sistemas de audio, dispositivos de almacenamiento USB, PC, dispositivos de juegos, etc. Para más información acerca de la conexión de dispositivos externos, diríjase al manual que viene con cada dispositivo.

### ! NOTA

- Si graba un programa de TV en una grabadora de DVD o VCR, asegúrese de conectar el cable de entrada de señal al televisor a través una grabadora de DVD o VCR. Para obtener más información acerca de la grabación, consulte el manual proporcionado con el dispositivo conectado.
- Las conexiones de dispositivos externos que se muestran pueden ser levemente diferentes de las ilustraciones en este manual.
- Conecte los dispositivos externos al televisor independientemente del orden del puerto del aparato.
- Si conecta un dispositivo de juego al televisor, utilice el cable provisto con un dispositivo de juego.
- Consulte el manual del equipo externo para ver las instrucciones de funcionamiento.
- El uso de un cable DVI a HDMI puede provocar problemas de compatibilidad.
- Utilice sólo con el Jack Estéreo de 3,5 mm de 3 Polos.

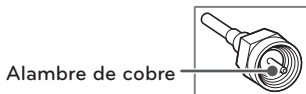
## Conexión de una antena o un cable

Para mirar televisión, conecte una antena, un cable o una caja de cable. Las ilustraciones pueden diferir de los elementos reales y el cable RF es opcional.



### ! PRECAUCIÓN

- Asegúrese de no doblar el alambre de cobre del cable de RF.



- Primero conecte todos los dispositivos entre sí y luego conecte el cable de alimentación al tomacorriente, para que el televisor no resulte dañado.

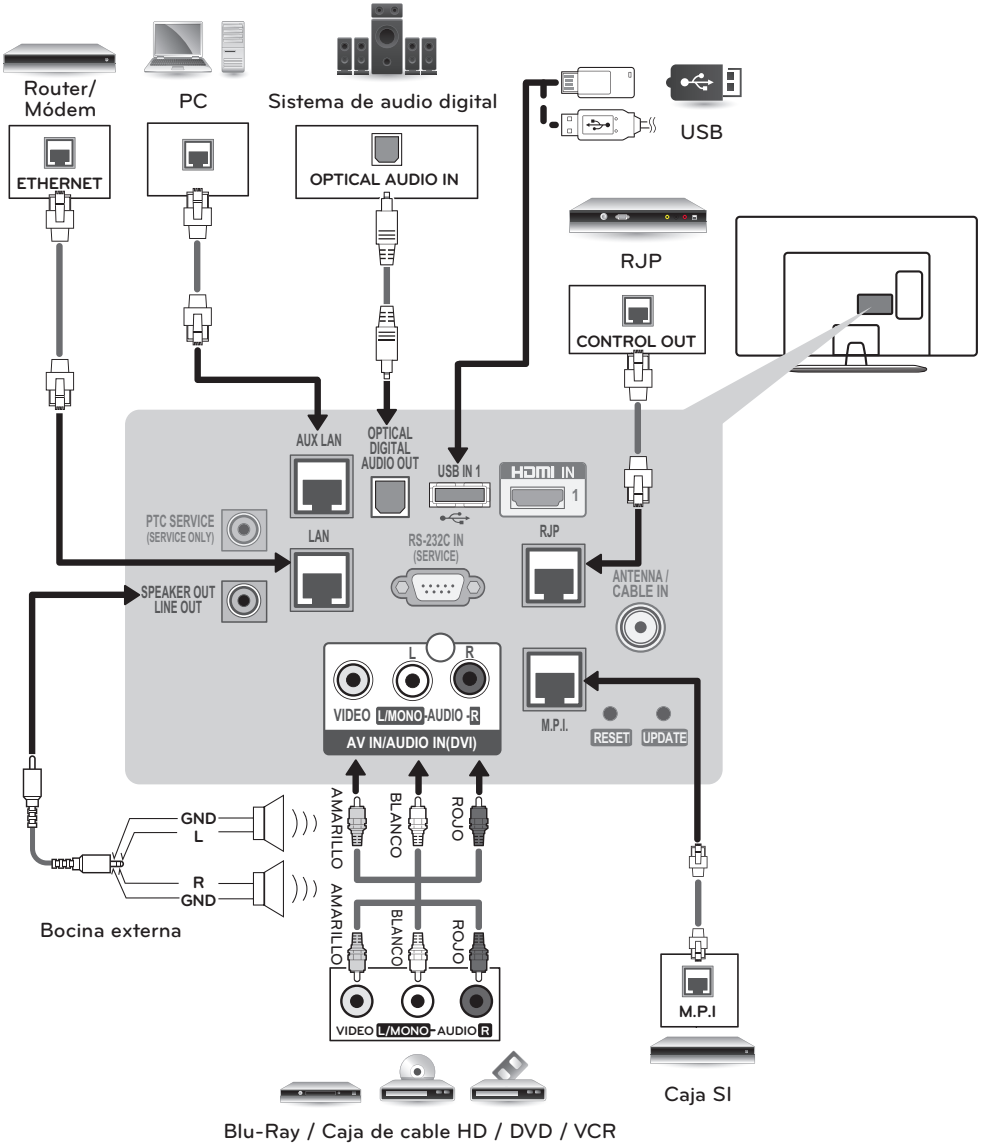
### ! NOTA

- Utilice un divisor de señal para usar 2 televisores o más.
- Códec compatible con Audio DTV: MPEG, Dolby Digital

## Otras conexiones

Conecte su TV a dispositivos externos. Para tener una mejor calidad de imagen y audio, conecte el dispositivo externo y el televisor con el cable HDMI tal como se muestra. Algunos cables vienen por separado y no son incluidos.

Para series LY750H

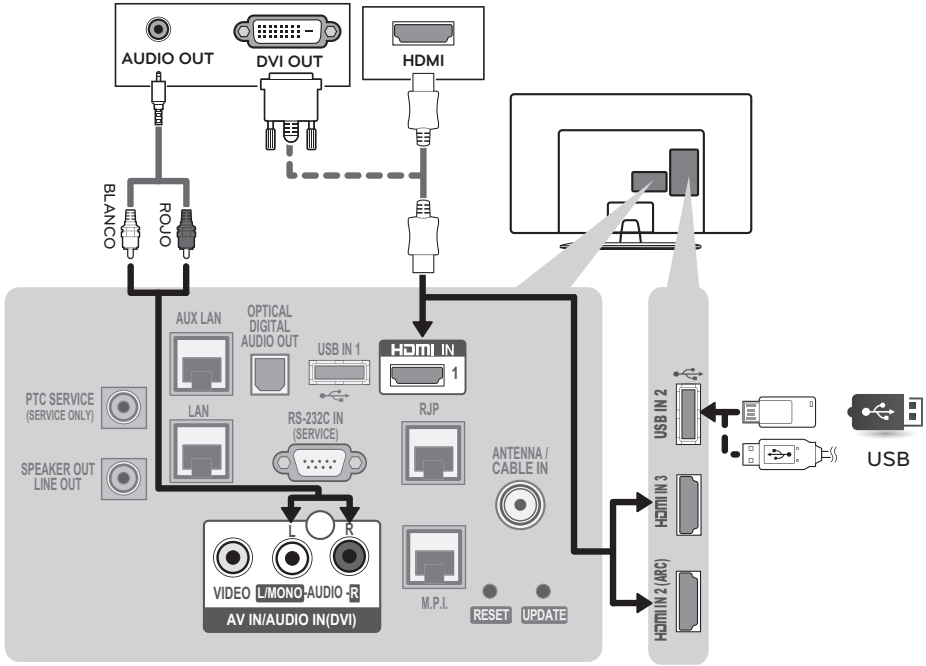


ESPAÑOL

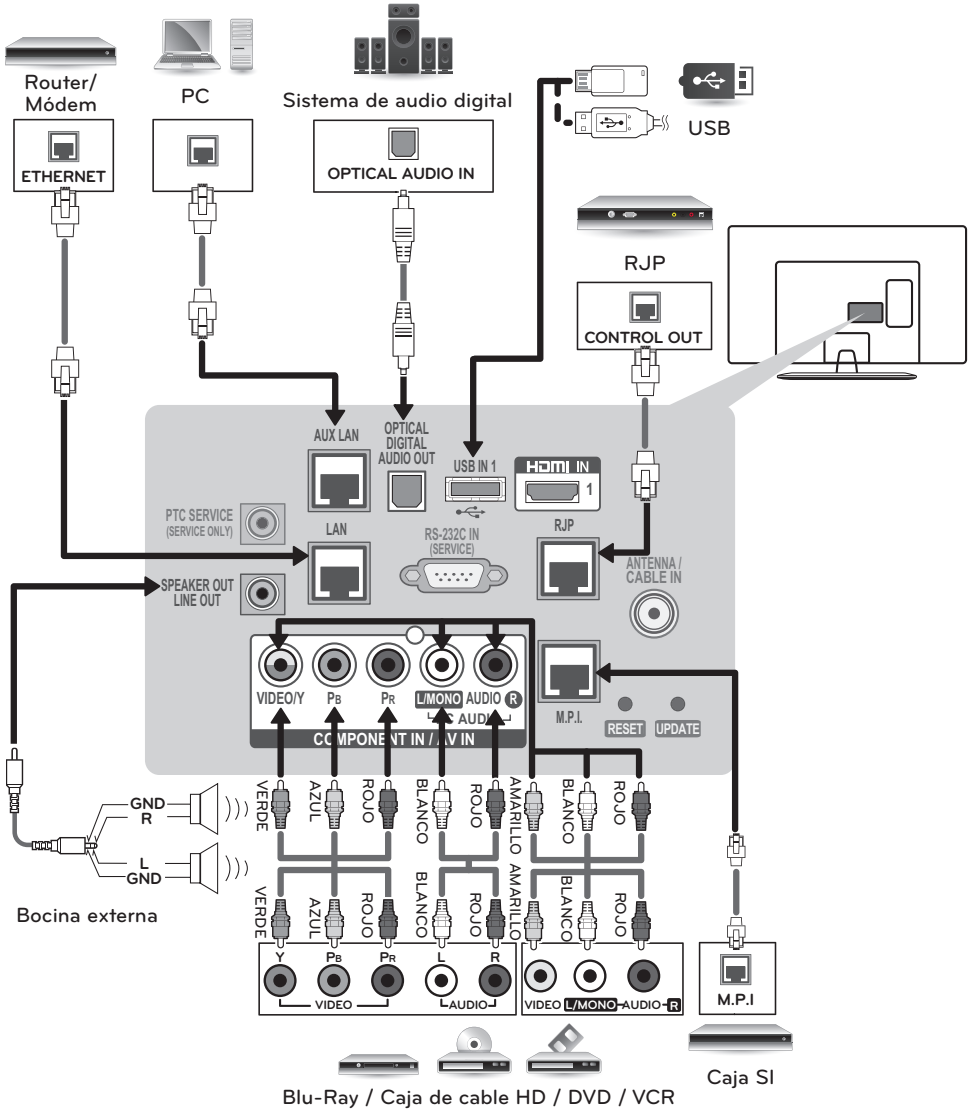
Blu-Ray / Caja de cable HD / DVD / VCR



Blu-Ray / Caja de cable HD / HD STB / DVD / PC



Para series LY760H



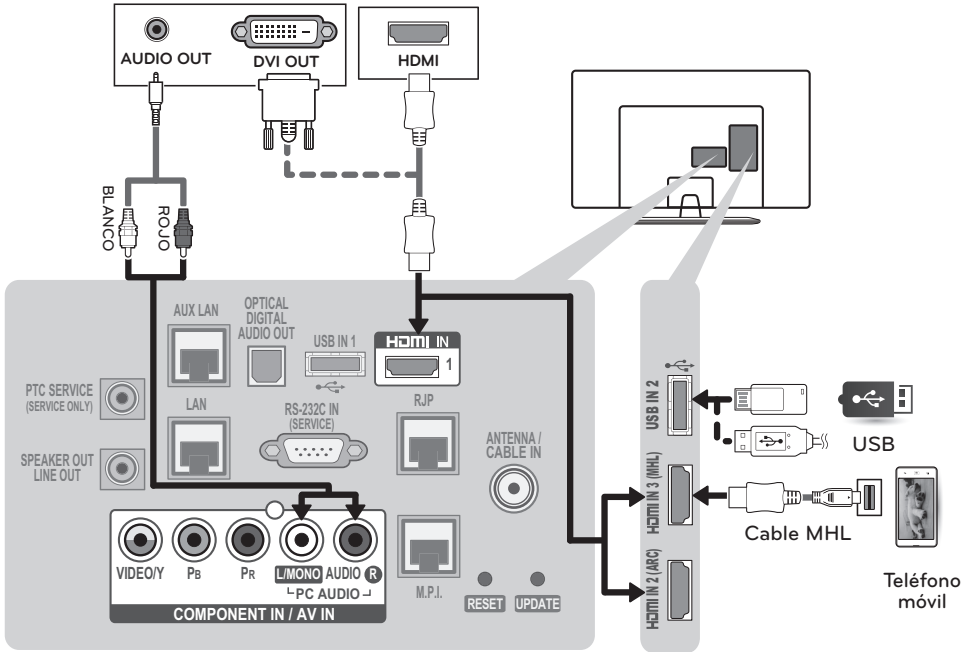
ESPAÑOL

Blu-Ray / Caja de cable HD / DVD / VCR

Caja SI

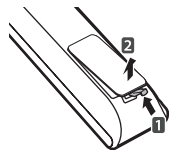


Blu-Ray / Caja de cable HD / HD STB / DVD / PC



## CONTROL REMOTO

Las descripciones que figuran en este manual se basan en los botones del control remoto. Lea atentamente este manual y siga las instrucciones de uso. Para reemplazar las baterías, abra la cubierta de la batería, coloque otras (AAA de 1,5 Vcc) y haga coincidir la polaridad (+) y (-) en el compartimiento, luego cierre la tapa. Introducir las baterías sin hacer coincidir su polaridad puede causar filtraciones o quemar la batería, lo que podría provocar un incendio, lesiones en personas o contaminación ambiental. Para retirar las baterías, realice la acción de instalación a la inversa.

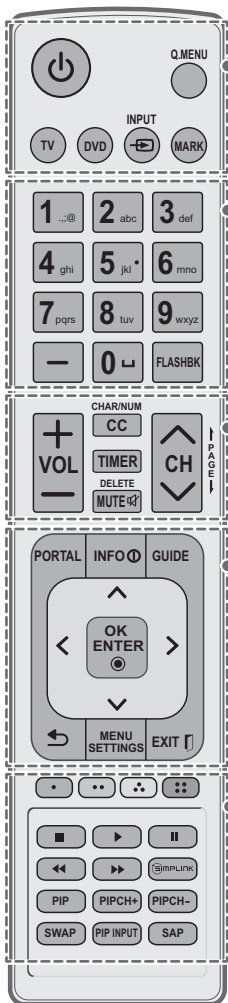


### ⚠ PRECAUCIÓN

- No coloque baterías nuevas junto con las usadas, esto puede dañar el control remoto.

Este control remoto utiliza luz infrarroja. Cuando lo use, apunte hacia el sensor correspondiente del televisor.

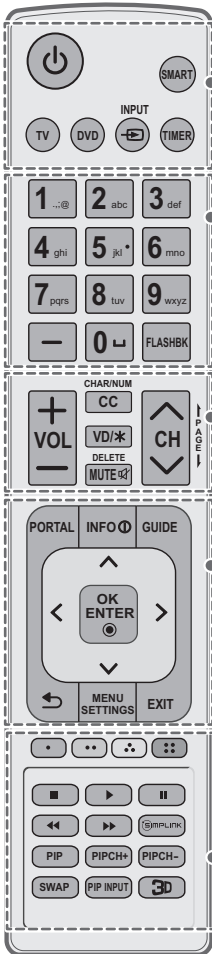
#### Para series LY750H



	<b>(ENCENDIDO)</b> Enciende o apaga el televisor.
	<b>Q.MENU</b> Sin Función.
	<b>TV</b> Selecciona el Modo TV de operación del remoto.
	<b>DVD</b> Selecciona el Modo DVD de operación del remoto.
	<b>INPUT</b> Cambia la fuente de entrada.
	<b>MARK</b> Sin Función.
<b>Botones Numerales</b> Permiten introducir números. También permite ingresar caracteres.	
	<b>- (Guión)</b> Inserta un guión entre los números, por ejemplo, 2-1 y 2-2.
	<b>FLASHBK</b> Sintoniza el último canal visto o número ingresado.
	<b>+ VOL -</b> Ajusta el nivel del volumen.
	<b>CHAR/NUM</b> Cambia entre los modos de entrada numérico y/o letras.
	<b>CC</b> Selecciona o muestra los subtítulos.
	<b>TIMER</b> Apaga el televisor en una cantidad fija de tiempo.
	<b>DELETE</b> Borra letras y números.
	<b>MUTE</b> Silencia todos los sonidos.
	<b>^ CH v</b> Permite desplazarse por los canales guardados.
	<b>  PAGE  </b> Permite ir a la pantalla anterior o siguiente.
	<b>PORTAL</b> Muestra y remueve el menú interactivo.
	<b>INFO</b> Muestra información del programa actual.
	<b>GUIDE</b> Muestra el evento del programa según la hora programada.
<b>Botones de navegación</b> (arriba/abajo/derecha/izquierda) Permiten desplazarse por los menús o las opciones	
	<b>OK/ENTER</b> Permite seleccionar menús u opciones y confirmar lo ingresado.
	<b>↶ (VOLVER)</b> Permite volver al nivel anterior.
	<b>MENU/SETTINGS</b> Permite acceder a los principales menús.
	<b>EXIT</b> Permite borrar todas las visualizaciones en pantalla y volver a mirar la televisión.
<b>Botones de color</b> (■ : Rojo, ■ : Verde, ■ : Amarillo, ■ : Azul) Estos accesos de funciones especiales son en algunos menús.	
<b>Botones de control</b> (■, ■, ■, ■, ■, ■) Controla los menús de MIS MEDIOS y los dispositivos compatibles con SIMPLINK (USB, SIMPLINK).	
	<b>SIMPLINK</b> Permite acceder a los dispositivos de audio y video conectados al televisor. O bien abre el menú SIMPLINK.
	<b>PIP</b> Entra al modo de pantalla dividida. (Algunas entradas no son desplegadas)
	<b>PIP CH +/-</b> Cambio de canal arriba o abajo en la sub ventana.
	<b>SWAP</b> Cambia la ventana principal a la sub ventana.
	<b>PIP INPUT</b> Gira a través de las entradas de la sub ventana.
	<b>SAP</b> Modo Análogo: Selecciona Sonido MTS (Mono, Stereo o SAP) Modo DTV: Cambia el lenguaje de audio.



## Para series LY760H



**⏻ (ENCENDIDO)** Enciende o apaga el televisor.

**SMART** Permite acceder al menú Smart.

**TV** Selecciona el Modo TV de operación del remoto.

**DVD** Selecciona el Modo DVD de operación del remoto.

**↔ INPUT** Cambia la fuente de entrada.

**TIMER** Apaga el televisor en una cantidad fija de tiempo.

**Botones Numerales** Permiten introducir números. También permite ingresar caracteres.

- (Guión) Inserta un guión entre los números, por ejemplo, 2-1 y 2-2.

**FLASHBK** Sintoniza el último canal visto o número ingresado.

**+ VOL -** Ajusta el nivel del volumen.

**CHAR/NUM** Cambia entre los modos de entrada numérico y/o letras.

**CC** Selecciona o muestra los subtítulos.

**VD/\*** Habilita la función VD. La función SAP (Programa de Audio Secundario) también se puede habilitar al mantener presionada la tecla VD.

**DELETE** Borra letras y números.

**MUTE** Silencia todos los sonidos.

**^ CH v** Permite desplazarse por los canales guardados.

**↑ PAGE ↓** Permite ir a la pantalla anterior o siguiente.

**PORTAL** Muestra y remueve el menú interactivo.

**INFO** Muestra información del programa actual.

**GUIDE** Muestra el evento del programa según la hora programada.

**Botones de navegación** (arriba/abajo/derecha/izquierda) Permiten desplazarse por los menús o las opciones

**OK/ENTER** Permite seleccionar menús u opciones y confirmar lo ingresado.

**↶ (VOLVER)** Permite volver al nivel anterior.

**MENU/SETTINGS** Permite acceder a los principales menús.

**EXIT** Permite borrar todas las visualizaciones en pantalla y volver a mirar la televisión.

**Botones de color** (■ : Rojo, ■ : Verde, ■ : Amarillo, ■ : Azul) Estos accesos de funciones especiales son en algunos menús.

**Botones de control** (■, ■, ■, ■) Controla los menús de MIS MEDIOS y los dispositivos compatibles con SIMPLINK (USB, SIMPLINK).

**SIMPLINK** Esta opción no se puede habilitar mediante la tecla del control remoto, sólo puede ser activada o desactivada mediante el Menu de Instalador.

**PIP** Sin Función

**PIP CH +/-** Sin Función

**SWAP** Sin Función

**PIP INPUT** Sin Función

**3D** Sin Función

## CONFIGURACIÓN

### Para seleccionar el Modo de imagen

#### SETTINGS ⇒ IMAGEN → Modo de imagen

Seleccione el modo de imagen optimizado para el programa o ambiente de visualización.

- **Vivo** Resalta el contraste, el brillo y la nitidez para mostrar imágenes vivas.
- **Estándar** Muestra imágenes en niveles estándares de contraste, brillo y nitidez.
- **APS** El modo APS (Ahorro de energía automático) reduce el consumo de energía mediante el control de atenuación.
- **Cine / Juego** Muestra la imagen óptima para películas, juegos.
- **Deporte** Modo de imagen optimizado para partidos de fútbol. El terreno de juego y los equipos se presentan en colores vibrantes, con imágenes nítidas, incluso para los movimientos rápidos.
- **Experto** [Según el modelo]  
Menú para ajustar la calidad de la imagen que permite tanto a expertos como a aficionados disfrutar de la mejor visualización de TV. Este menú de ajuste se proporciona para profesionales de calibración de imagen certificados por la ISF. (El logo de la ISF puede usarse en los TV certificados por la ISF) ISFccc: control de calibración certificado por Imaging Science Foundation (Fundación de ciencias de la imagen)
- Según la señal de entrada, el rango disponible de modos de imagen podría variar.
- El modo **Experto** está diseñado para que los profesionales de la calibración de imágenes controlen y realicen ajustes finos mediante el uso de una imagen en particular. En el caso de imágenes normales, es posible que los efectos no sean drásticos.

### Para ajustar de protección de Visión al movimiento

#### SETTINGS ⇒ IMAGEN → Modo de imagen → Opciones de Imagen

- **Protección de Visión al movimiento**  
Ajusta automáticamente el brillo y reduce el desenfoco de la imagen según los datos de la imagen para reducir la fatiga visual.

### Para usar la función de Ahorro de Energía

#### SETTINGS ⇒ IMAGEN → Ahorro de Energía

[Según el modelo]

Reduce el consumo de energía ajustando brillo de la pantalla al máximo.

- **Apagado** Apaga el Ahorro de Energía.
- **Mínimo / Medio / Máximo** Se aplica al Ahorro de Energía pre ajustado.
- **Apagado de Pantalla** La pantalla se apaga y solo se reproduce audio. Pulse cualquier botón del control remoto para volver a encender la pantalla.

# MANTENIMIENTO

## Limpeza del televisor

Limpe regularmente el televisor para que siga funcionando con el máximo rendimiento y para extender la vida útil del producto.



### PRECAUCIÓN

- Antes de proceder con la limpieza, apague el equipo y desconecte el cable de alimentación y todos los cables.
- Cuando deje el TV desatendido o no lo utilice durante mucho tiempo, desconecte el cable de alimentación de la toma de corriente para evitar posibles daños por descargas o sobrecargas de energía.

## Pantalla, marco, gabinete y base

Para quitar el polvo o la suciedad leve, pase un paño seco, limpio y suave por la superficie.

Para eliminar suciedad de mayor importancia, limpie la superficie con un paño suave humedecido con agua limpia o un detergente suave diluido. Después, pase de inmediato un paño seco.



### PRECAUCIÓN

- No ejerza presión, refriegue ni golpee la superficie con las uñas o un objeto punzante, dado que puede rayar la pantalla y producir distorsiones en la imagen.
- No utilice sustancias químicas (como ceras, bencina, alcohol, tiner, insecticidas, desodorantes de ambientes o lubricantes) dado que pueden dañar el acabado de la pantalla y causar decoloración.
- No rocíe líquido sobre la superficie. Si entra agua en el televisor, puede ocasionar incendios, descargas eléctricas o mal funcionamiento.

## Cable de alimentación

Quite con regularidad el polvo o la tierra acumulados en el cable de alimentación.

## SOLUCIÓN DE PROBLEMAS

El software puede actualizarse para mejorar el rendimiento. El cliente es responsable de asegurar la compatibilidad de su equipo con cualquier software de LG Electronics. Si es necesario, consulte a LG Electronics y actualice el software con las nuevas versiones de acuerdo con las instrucciones proporcionadas por LG Electronics.

Problema	Solución
No se puede controlar el televisor con el control remoto.	<ul style="list-style-type: none"> <li>• Compruebe si puso cualquier cosa sobre el receptor, como por ejemplo cinta adhesiva.</li> <li>• Compruebe que no haya ningún obstáculo entre el producto y el control remoto.</li> <li>• Sustituya las pilas por unas nuevas.</li> </ul>
No se muestra ninguna imagen ni se emite sonido.	<ul style="list-style-type: none"> <li>• Compruebe si el producto está encendido.</li> <li>• Compruebe si el cable de alimentación está conectado a la toma de la pared.</li> <li>• Conecte otros productos para comprobar si hay un problema con la toma de la pared.</li> </ul>
El televisor se apaga de repente.	<ul style="list-style-type: none"> <li>• Compruebe la configuración del control de energía. Es posible que el suministro eléctrico se interrumpa.</li> <li>• Compruebe si la función de apagado automático no está activada en la configuración de HORA.</li> </ul>
Cuando se conecta a la PC (RGB/HDMI/DVI), <b>No hay señal</b> o <b>Formato Invalido</b> se muestra en la pantalla.	<ul style="list-style-type: none"> <li>• Encender o Apagar el TV.</li> <li>• Volver a conectar el cable RGB/HDMI/DVI.</li> <li>• Reinicie el PC con el televisor.</li> </ul>

# ESPECIFICACIONES

Las especificaciones del producto pueden cambiar sin previo aviso debido a las actualizaciones de las funciones de los productos.

<b>Potencia requerida</b>	AC 100 - 240 V ~ 50 / 60 Hz	
<b>Sistema de televisión</b>	ATSC, NTSC-M, 64 & 256 QAM	
<b>Cobertura de programas</b>	VHF 2-13, UHF 14-69, DTV 2-69, CATV 1-135, CADTV 1-135	
<b>Impedancia de antena externa</b>	75 Ω	
<b>Condición de ambiente</b>	Temperatura de funcionamiento	0 °C a 40 °C
	Humedad de funcionamiento	Menos de 80 %
	Temperatura de almacenamiento	-20 °C a 60 °C
	Humedad de almacenamiento	Menos de 85 %

MODELOS		32LY750H (32LY750H-UA)	32LY760H (32LY760H-UA)
Dimensiones (Ancho x Altura x Profundidad)	Con base	732 x 482 x 282 (mm)	
		28,8 x 18,9 x 11,1 (pulgadas)	
	Sin base	732 x 437 x 55,5 (mm)	
		28,8 x 17,2 x 2,1 (pulgadas)	
Peso	Con base	8,9 kg (19,6 libras)	
	Sin base	6,0 kg (13,2 libras)	
Consumo de corriente / Consumo de la potencia		1,25 A / 75 W	

MODELOS		39LY750H (39LY750H-UA)	39LY760H (39LY760H-UA)
Dimensiones (Ancho x Altura x Profundidad)	Con base	885 x 572 x 282 (mm)	
		34,8 x 22,5 x 11,1 (pulgadas)	
	Sin base	885 x 524 x 55,5 (mm)	
		34,8 x 20,6 x 2,1 (pulgadas)	
Peso	Con base	10,9 kg (24,0 libras)	
	Sin base	8,0 kg (17,6 libras)	
Consumo de corriente / Consumo de la potencia		1,0 A / 100 W	

MODELOS		42LY750H (42LY750H-UA)	42LY760H (42LY760H-UA)
Dimensiones (Ancho x Altura x Profundidad)	Con base	961 x 617 x 325 (mm)	
		37,8 x 24,2 x 12,7 (pulgadas)	
	Sin base	961 x 567 x 55,5 (mm)	
		37,8 x 22,3 x 2,1 (pulgadas)	
Peso	Con base	12,6 kg (27,7 libras)	
	Sin base	9,2 kg (20,2 libras)	
Consumo de corriente / Consumo de la potencia		1,1 A / 110 W	

MODELOS		47LY750H (47LY750H-UA)	47LY760H (47LY760H-UA)
Dimensiones (Ancho x Altura x Profundidad)	Con base	1 073 x 680 x 325 (mm)	
		42,2 x 26,7 x 12,7 (pulgadas)	
	Sin base	1 073 x 629 x 55,8 (mm)	
		42,2 x 24,7 x 2,1 (pulgadas)	
Peso	Con base	15,7 kg (34,6 libras)	
	Sin base	12,3 kg (27,1 libras)	
Consumo de corriente / Consumo de la potencia		1,2 A / 120 W	

MODELOS		55LY750H (55LY750H-UA)	55LY760H (55LY760H-UA)
Dimensiones (Ancho x Altura x Profundidad)	Con base	1 243 x 771 x 325 (mm)	
		48,9 x 30,3 x 12,7 (pulgadas)	
	Sin base	1 243 x 725 x 56,8 (mm)	
		48,9 x 28,5 x 2,2 (pulgadas)	
Peso	Con base	20,7 Kg (45,6 libras)	
	Sin base	17,3 Kg (38,1 libras)	
Consumo de corriente / Consumo de la potencia		1,4 A / 140 W	

#### Modo HDMI (PC) admitido

Resolución	Frecuencia horizontal (kHz)	Frecuencia vertical (Hz)
640 x 350	31,468	70,09
720 x 400	31,469	70,08
640 x 480	31,469	59,94
800 x 600	37,879	60,31
1 024 x 768	48,363	60,00
1 152 x 864	54,348	60,053
1 360 x 768	47,712	60,015
1 280 x 1 024	63,981	60,02
1 920 x 1 080	67,50	60,00

#### Modo HDMI (DTV) admitido

Resolución	Frecuencia horizontal (kHz)	Frecuencia vertical (Hz)
720 x 480	31,47	59,94
Progresivo	31,50	60,00
1 280 x 720	44,96	59,94
Progresivo	45,00	60,00
1 920 x 1 080	33,72	59,94
Entrelazado	33,75	60,00
1 920 x 1 080 Progresivo	26,97	23,976
	27,00	24,00
	33,71	29,97
	33,75	30,00
	67,432	59,94
	67,50	60,00

**Para series LY750H**

Especificación del módulo Wi-fi (WN8122E1)	
Estándar	IEEE802.11a/b/g/n
Rango de frecuencias	2 400 a 2 483,5 MHz 5 150 a 5 250 MHz 5 725 a 5 850 MHz
Potencia de salida (máxima)	802.11a: 16,5 dBm 802.11b: 16 dBm 802.11g: 15,5 dBm 802.11n - 2,4 GHz: 15,5 dBm 802.11n - 5G Hz: 16,5 dBm
<ul style="list-style-type: none"> <li>• Como el canal de banda en uso por el país puede ser diferente, el usuario no puede cambiar o ajustar la frecuencia de operación y este producto está configurado para la tabla de frecuencias regional.</li> <li>• Este dispositivo debe ser instalado y utilizado a una distancia mínima de 20 cm(7.8 pulgadas) entre el dispositivo y su cuerpo. Esta frase es por declaración general para la consideración de entorno del usuario.</li> <li>• Contiene FCC ID: BEJWN8122E1</li> <li>• Contiene IC: 2703H-WN8122E1</li> <li>• Registro: RCPLGWN12-1157</li> </ul>	

**Para series LY760H**

Especificación del módulo Wi-fi (LGSBW41)			
Wireless LAN		Bluetooth	
Estándar	IEEE 802.11a/b/g/n	Estándar	Versión de Bluetooth 3.0
Rango de frecuencias	2 400 a 2 483,5 MHz 5 150 a 5 250 MHz 5 725 a 5 850 MHz	Rango de frecuencias	2 400 a 2 483,5 MHz
Potencia de salida (máxima)	802.11a: 11,5 dBm 802.11b: 11 dBm 802.11g: 10,5 dBm 802.11n - 2,4 GHz: 11 dBm 802.11n - 5 GHz: 12,5 dBm	Potencia de salida (máxima)	10 dBm o menor
<ul style="list-style-type: none"> <li>• Como el canal de banda en uso por el país puede ser diferente, el usuario no puede cambiar o ajustar la frecuencia de operación y este producto está configurado para la tabla de frecuencias regional.</li> <li>• Este dispositivo debe ser instalado y utilizado a una distancia mínima de 20 cm(7.8 pulgadas) entre el dispositivo y su cuerpo. Esta frase es por declaración general para la consideración de entorno del usuario.</li> <li>• Contiene FCC ID: BEJLGSBW41</li> <li>• Contiene IC: 2703H-LGSBW41</li> <li>• Registro: RCPLGLG13-2300</li> </ul> <p>La operación de este equipo está sujeta a las siguientes dos condiciones:                      (1) es posible que este equipo o dispositivo no cause interferencia perjudicial y,                      (2) este equipo o dispositivo debe aceptar cualquier interferencia, incluyendo la que pueda causar su operación no deseada.</p>			



Los números de modelo y de serie del televisor se encuentran ubicados en la parte posterior del aparato. Regístrelos en el siguiente espacio por si alguna vez necesita recurrir al servicio técnico.

MODELO \_\_\_\_\_

SERIE \_\_\_\_\_



Este producto reúne los requisitos ENERGY STAR en el ajuste (Configuración de Casa). Cambiar los ajustes de imagen predeterminados de fábrica o activar otras funciones, incrementará el consumo de energía, pudiendo exceder los límites de las condiciones impuestas por la clasificación Energy Star. Para más información acerca del programa ENERGY STAR consulte [ENERGYSTAR.gov](http://ENERGYSTAR.gov).