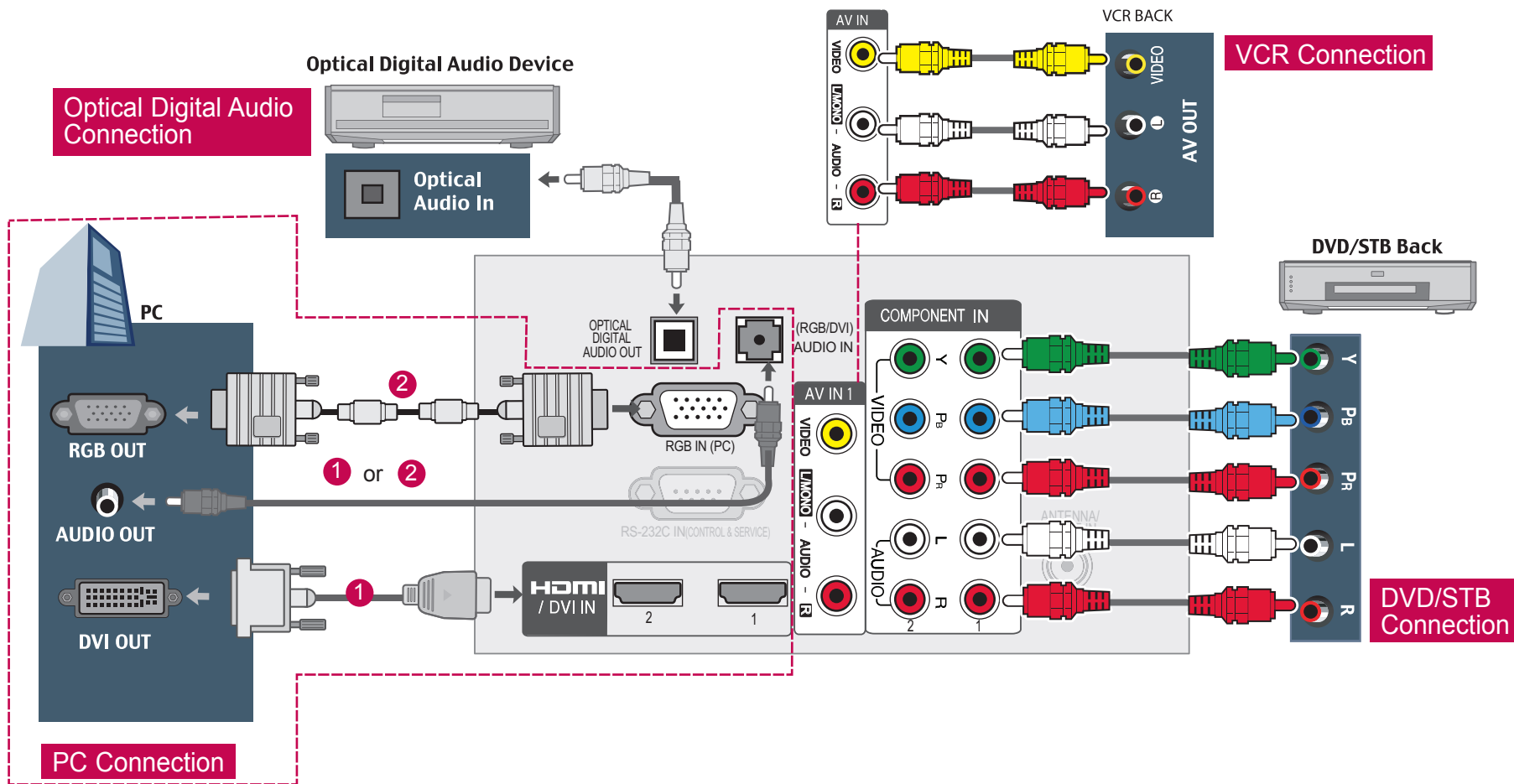


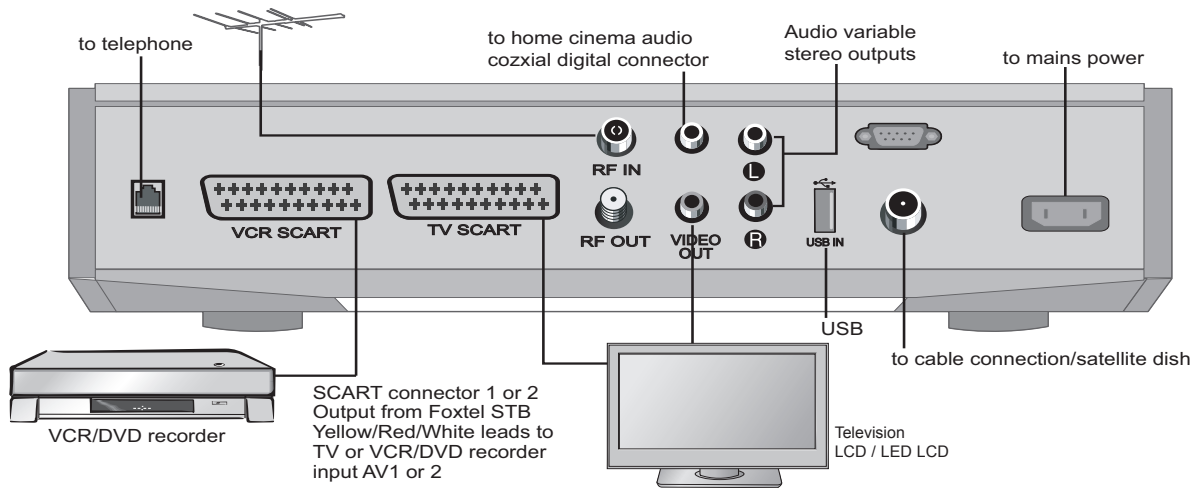
Connecting your Unit ■ Image shown may differ from your TV.



* To connect additional equipment, see the **EXTERNAL EQUIPMENT SETUP** section in CD Manual.

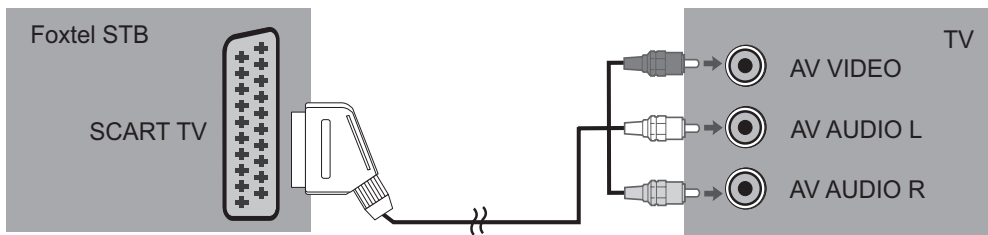
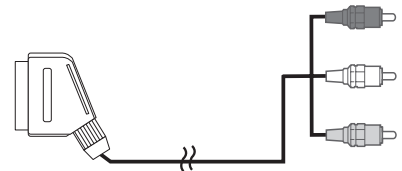
Foxtel STB Connection to LG LCD / LED LCD Television

- Image shown may differ from your TV.



If you are connecting existing Foxtel STB to a replacement TV then follow procedure below; Foxtel STB has to 2 SCART output sockets on rear marked TV or VCR.

1. Insert the large rectangular connector side to the Foxtel Box.
2. The other end has independent RCA type connectors coloured Yellow/Red /White each marked output.
3. Please insert each colour and match it to a selected AV input on rear of TV. It can be either AV1 or AV2 etc.



4. Turn On STB and TV.
5. Select AV source on TV (1 or 2) that you have connected STB by pressing INPUT button on TV to cycle through the various input sources.

- Select the AV source.

Eg. If you have correctly connected cables to AV1 input and selected AV1 then Foxtel menu or picture should be displayed.