

Network 3D Blu-ray™ Sound Bar

BB4330A

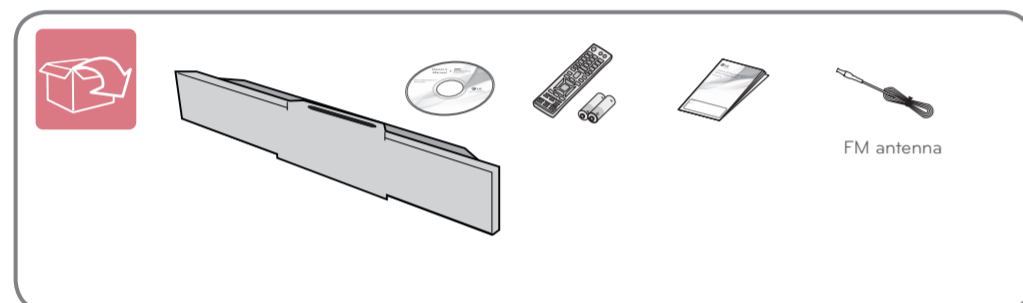
ENGLISH | SIMPLE MANUAL
An extended Owner's Manual that contains information on the advanced features is located on the CD-ROM provided in an electronic version. To read these files, you will need to use a Personal Computer (PC) equipped with a CD-ROM drive.

ROMÂNĂ | MANUAL SIMPLU
Pe CD-ROM se află un Manual de utilizare extins, în versiune electronică, conținând informații privind caracteristicile avansate. Pentru a citi aceste fișiere, trebuie să utilizați un computer personal echipat cu o unitate CD-ROM.

ČEŠTINA | JEDNODUCHÝ NÁVOD
Na příloženém disku CD-ROM se nachází kompletní elektronická verze Návodu k použití, která obsahuje informace o pokročilých funkcích přístroje. Pro zobrazení těchto souborů je nutný osobní počítač (PC) vybavený CD-ROM mechanikou.

POLSKI | INSTRUKCJA UPROSZCZONA
Rozszerzona instrukcja obsługi, zawierająca informacje dotyczące funkcji zaawansowanych zapisana jest w wersji elektronicznej na dołączonym dysku CD-ROM. Aby odczytać te informacje konieczny jest komputer osobisty (PC) wyposażony w napęd CD-ROM.

SLOVENČINA | JEDNODUCHÁ PRÍRUČKA
Rozšírená Používateľská príručka, ktorá obsahuje informácie o rozšírených funkciách je k dispozícii v elektronickej verzii na CD-ROM-e. Aby ste mohli spustiť tieto súbory, je potrebné použiť počítač (PC) vybavený CD-ROM mechanikou.



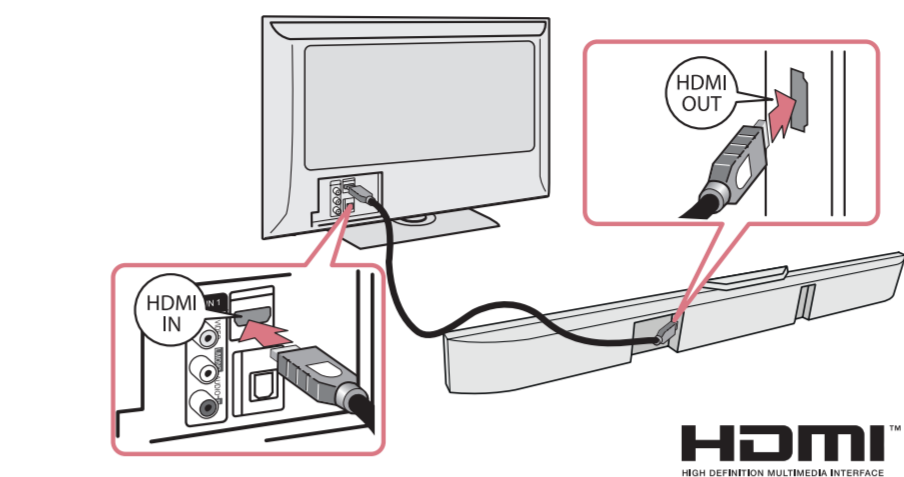
MF16780406

Wireless Speaker Connection / Připojení bezdrátových reproduktorů / Pripojenie bezdrôtových reproduktorov / Conexiune difuzoare wireless / Połączenie głośników bezprzewodowych

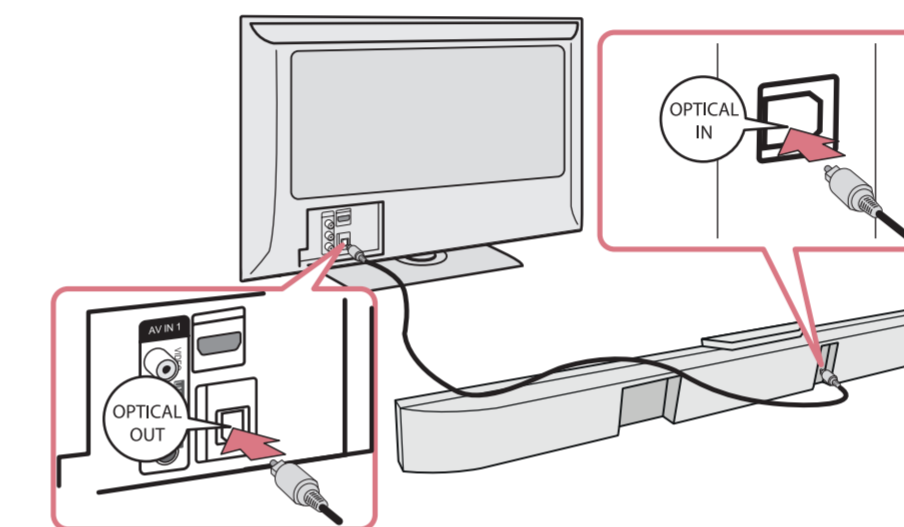


1. Plug the power cord into the wall outlet.
2. Plug the power cord into the wall outlet.
3. Press the power button on the remote control.
4. The light indicator on the front panel will turn on. (Yellow / Gelb / Jaune / Amarillo / Giallo)

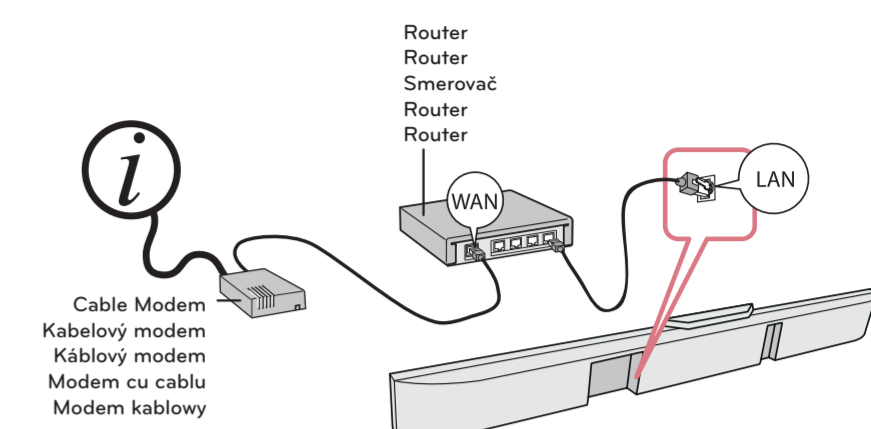
TV Connection (HDMI OUT) / Televizní připojení (HDMI OUT) / Pripojenie TV (výstup HDMI OUT) / Conexiune TV (HDMI OUT) / Połączenie TV (WYJŚCIE HDMI)



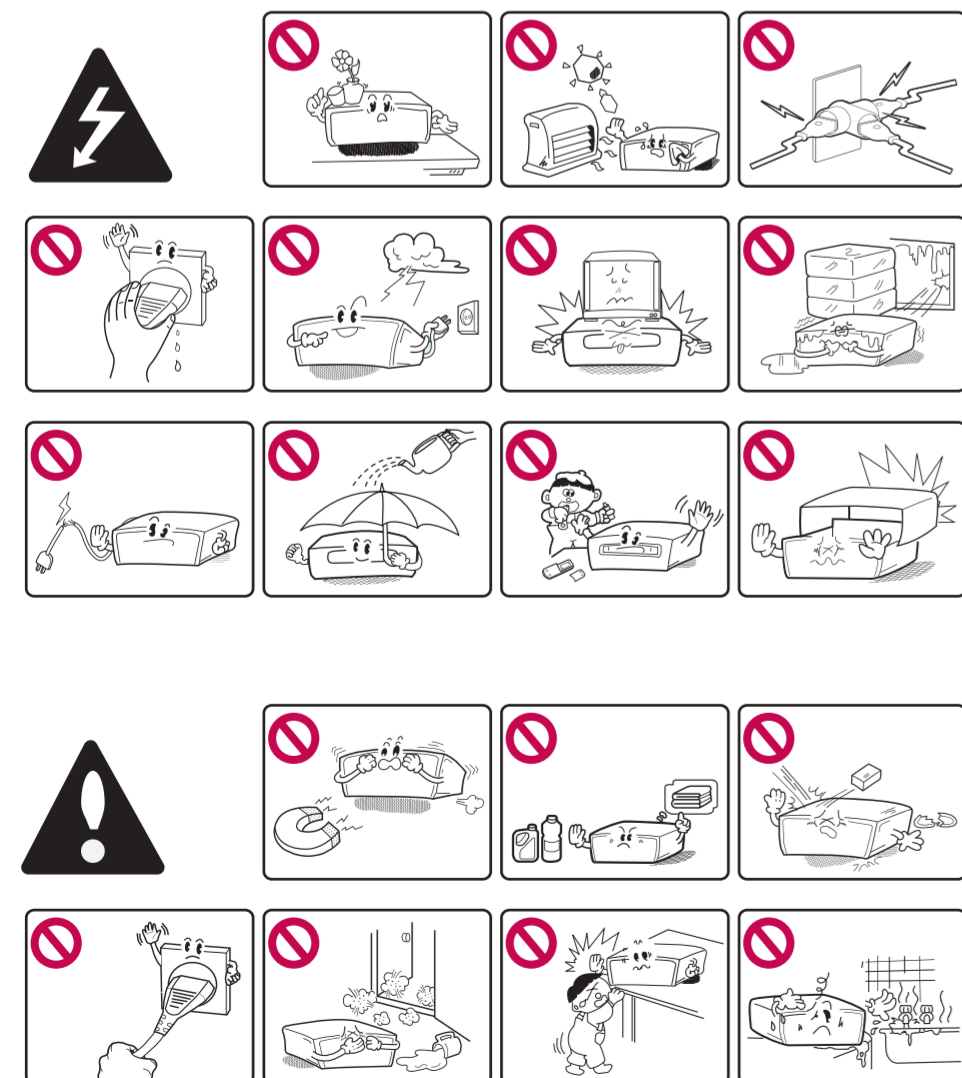
TV Connection (OPTICAL IN) / Televizní připojení (OPTICAL IN) / Pripojenie TV (OPTICAL IN) / Conexiune TV (OPTICAL IN) / Połączenie TV (wejście optyczne)



Wired Network Connection / Pevné síťové připojení / Káblové pripojenie siete / Conexiune la rețea prin cablu / Przewodowe połączenie sieciowe

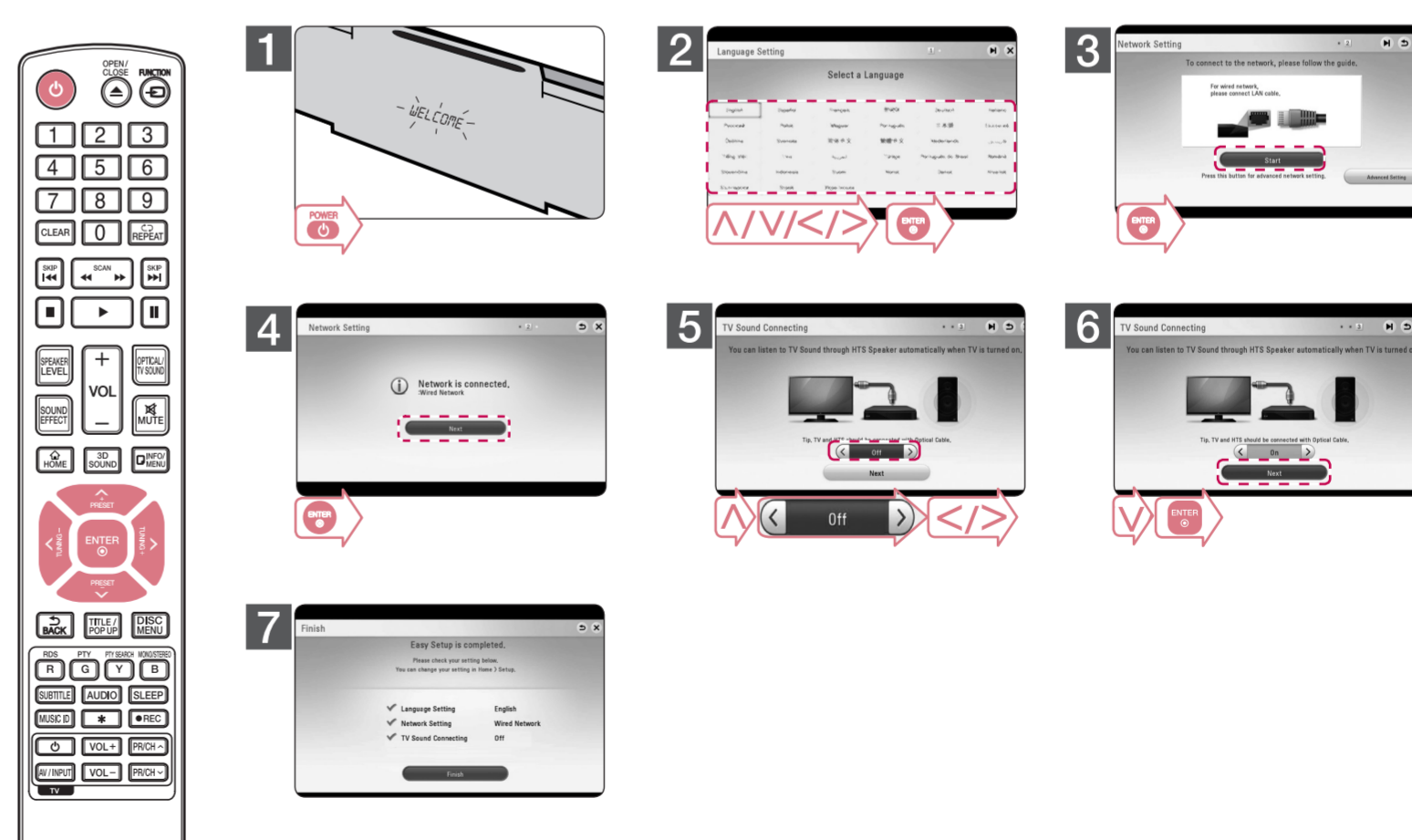


Safety Information / Bezpečnostní informace / Bezpečnostné upozornenia / Informații privind siguranța / Instrukcja bezpieczeństwa



Blank lines for user notes or additional information.

Initial Setup / Počáteční nastavení / Počiatkové nastavenie / Configurare inițială / Ustawienia początkowe



Using HOME menu / Používání nabídky HOME / Používanie ponuky DOMOV / Utilizarea meniului HOME / Korzystanie z głównego menu

[Premium] - Displays the Premium Home screen.
[Premium] - Zobrazuje obrazovku Premium Home.
[Premium] - Zobrazuje obraz Premium Home.
[Premium] - Afișează ecranul Premium Home.
[Premium] - Wyświetla ekran Premium Home.

[Smart Share] - Displays Smart Share menu.
[Smart Share] - Zobrazí nabídku funkce Smart Share.
[Smart Share] - Zobrazí sa ponuka Smart Share.
[Smart Share] - Afișează meniul Smart Share.
[Smart Share] - Wyświetla menu Smart Share.

[LG Smart World] - Displays LG Apps titles provided to the unit.
[LG Smart World] - Zobrazí názvy LG Apps poskytované k jednotke.
[LG Smart World] - Zobrazia sa názvy LG Apps dostupné pre zariadenie.
[LG Smart World] - Afișează titlurile din LG Apps furnizate pentru unitate.
[LG Smart World] - Wyświetla tytuły LG Apps udostępnionych dla urządzenia.

[Input] - Change input mode.
[Vstup] - Změní vstupní režim.
[Vstup] - Służy na zmenu vstupného režimu.
[Intro] - Schimbă modul de intrare.
[Wejście] - Przeląca między źródłami wejściowymi.

[Settings] - Adjusts the system settings.
[Nastavení] - Upravuje nastavení.
[Nastavenia] - Służy na úpravu systémových nastavení.
[Setări] - Modifică setările sistemului.
[Ustawienia] - Zmiana ustawień urządzenia.

[My Apps] - Displays the [My Apps] screen.
[Moje apl.] - Zobrazí obrazovku [Moje apl.].
[Moje aplikácie] - Zobrazí sa prostredie [Moje aplikácie].
[Aplicațiile mele] - Afișează ecranul [Aplicațiile mele].
[My Apps] - Wyświetla ekran [My Apps].

Disc Playback / Přehrávání disku / Prehrávanie disku / Redare disc / Odtwarzanie dysku

1 Press the **HOME** button on the remote control to return to the main menu.

2 Press the **DISC** button on the remote control to start disc playback.

1 Press the **HOME** button on the remote control to return to the main menu.

2 Press the **DISC** button on the remote control to start disc playback.

1 Press the **HOME** button on the remote control to return to the main menu.

2 Press the **DISC** button on the remote control to start disc playback.

CAUTION
RISK OF ELECTRIC SHOCK
DO NOT OPEN

CAUTION: TO REDUCE THE RISK OF ELECTRIC SHOCK DO NOT REMOVE COVER (OR BACK) NO USER-SERVICEABLE PARTS INSIDE. REFER SERVICING TO QUALIFIED SERVICE PERSONNEL.

This lightning flash with arrowhead symbol within an equilateral triangle is intended to alert the user to the presence of uninsulated dangerous voltage within the product's enclosure that may be of sufficient magnitude to constitute a risk of electric shock to persons.

The exclamation point within an equilateral triangle is intended to alert the user to the presence of important operating and maintenance (servicing) instructions in the literature accompanying the product.

WARNING: TO PREVENT FIRE OR ELECTRIC SHOCK HAZARD, DO NOT EXPOSE THIS PRODUCT TO RAIN OR MOISTURE.

WARNING: Do not install this equipment in a confined space such as a book case or similar unit.

CAUTION: Do not block any ventilation openings. Install in accordance with the manufacturer's instructions. Slots and openings in the cabinet are provided for ventilation and to ensure reliable operation of the product and to protect it from over heating. The openings shall be never be blocked by placing the product on a bed, sofa, rug or other similar surface. This product shall not be placed in a built-in installation such as a bookcase or rack unless proper ventilation is provided or the manufacturer's instruction has been adhered to.

CAUTION: CLASS 1M VISIBLE AND INVISIBLE LASER RADIATION WHEN OPEN. DO NOT VIEW DIRECTLY WITH OPTICAL INSTRUMENTS.

Use of controls, adjustments or the performance of procedures other than those specified herein may result in hazardous radiation exposure.

CAUTION concerning the Power Cord
 To disconnect power from the mains, pull out the mains cord plug. When installing the product, ensure that the plug is easily accessible.

CAUTION: The apparatus shall not be exposed to water (dripping or splashing) and no objects filled with liquids, such as vases, shall be placed on the apparatus.

This device is equipped with a portable battery or accumulator.

Safety way to remove the battery or the battery from the equipment: Remove the old battery or battery pack, follow the steps in reverse order than the assembly. To prevent contamination of the environment and bring on possible threat to human and animal health, the old battery or the battery put it in the appropriate container at designated collection points. Do not dispose of batteries or battery together with other waste. It is recommended that you use local, free reimbursement systems batteries and accumulators. The battery shall not be exposed to excessive heat such as sunshine, fire or the like.

Disposal of your old appliance

- When this crossed-out wheeled bin symbol is attached to a product it means that the product is covered by the European Directive 2002/96/EC.
- All electrical and electronic products should be disposed of separately from the municipal waste stream via designated collection facilities appointed by the government or the local authorities.
- The correct disposal of your old appliance will help prevent potential negative consequences for the environment and human health.
- For more detailed information about disposal of your old appliance, please contact your city office, waste disposal service or the shop where you purchased the product.

Disposal of waste batteries/accumulators

- When this crossed-out wheeled bin symbol is attached to batteries/accumulators of Your product it means they are covered by European Directive 2006/66/EC.
- This symbol may be combined with chemical symbols for mercury (Hg), cadmium (Cd) or lead (Pb) if the battery Contains more than 0.0005% of mercury, 0.002% of cadmium or 0.004% of lead.
- All batteries/accumulators should be disposed separately from the municipal waste stream via designated collection facilities appointed by the government or the local authorities.
- The correct disposal of Your old batteries/accumulators will help to prevent potential negative consequences for the environment, animal and human health.
- For more detailed information about disposal of Your old batteries/accumulators, please contact Your city office, waste disposal service or the shop where you purchased the product.

For Wireless product European Union Notice

CE 0984

LG Electronics hereby declares that this/these product(s) is/are in compliance with the essential requirements and other relevant provisions of Directive 1999/5/EC, 2004/108/EC, 2006/95/EC, 2009/125/EC and 2011/65/EU.

Please contact to the following address for obtaining a copy of the DoC (Declaration of Conformity):

Contact office for compliance of this product:
 LG Electronics Inc.
 EU Representative, Krijgsman 1,
 1186 DM Amstelveen, The Netherlands

Please note that this is NOT a Customer Service contact point. For Customer Service Information, see Warranty Card or contact the dealer that you purchased this product.

Indoor use only.

RF Radiation Exposure Statement

This equipment should be installed and operated with minimum distance 20 cm between the radiator and your body.

Data Playback / Přehrávání dat / Prehrávanie dát / Redare date / Odtwarzanie danych

1 Press the **HOME** button on the remote control to return to the main menu.

2 Press the **DATA** button on the remote control to start data playback.

1 Press the **HOME** button on the remote control to return to the main menu.

2 Press the **DATA** button on the remote control to start data playback.

1 Press the **HOME** button on the remote control to return to the main menu.

2 Press the **DATA** button on the remote control to start data playback.

To Use Network Playback / Použití funkce Přehrávání sítě / Používanie sieťového prehrávania / Pentru folosirea Redării de rețea / Korzystanie z odtwarzania sieciowego

Preparation / Příprava / Priprava / Pregătire / Przygotowanie

Check the network connection and settings. /
 Zkontrolujte síťové připojení a nastavení sítě. /
 Skontrolujecie pripojenie a nastavenia siete. /
 Verificați conexiunea de rețea și setările. /
 Sprawdź połączenie sieciowe i ustawienia.

1 Install Nero MediaHome 4 Essentials program on your PC. /
 Nainstalujte na svůj počítač program Nero MediaHome 4 Essentials. /
 Do počítača nainštalujte program Nero MediaHome 4 Essentials. /
 Instalați programul Nero MediaHome 4 Essentials pe PC. /
 Zainstaluj Nero MediaHome 4 Essentials na swoim komputerze.

2 Run the program, and set the share folder you want. /
 Spusťte tento program a nastavte sdílení požadované složky. /
 Spustite program a nastavte požadovaný zdieľaný priečinok. /
 Porniți programul și setați fișierul de partajare dorit. /
 Uruchoń program i ustaw żądany folder do udostępnienia.

Smart Share Network Playback / Přehrávání sítě pomocí funkce Smart Share / Sieťové prehrávanie Smart Share / Redare rețea Smart Share / Odtwarzanie sieciowe Smart Share

1 Press the **HOME** button on the remote control to return to the main menu.

2 Press the **SMART SHARE** button on the remote control to start network playback.

1 Press the **HOME** button on the remote control to return to the main menu.

2 Press the **SMART SHARE** button on the remote control to start network playback.

Specification / Technické údaje / Technický údaj / Specificații tehnice / Specyfikacja

ENGLISH

Power requirements	Refer to main label.	Cerințe curent electric	Consultați eticheta privitoare la alimentare.
Power consumption	Refer to main label.	Consum curent	Consultați eticheta privitoare la alimentare.
Dimensions (W x H x D)	Approx. 950 mm x 136 mm x 75 mm	Dimensiuni (L x H x A)	Aprox. 950 mm x 136 mm x 75 mm
Net Weight (Approx.)	4,6 kg	Greutate netă (aprox.)	4,6 kg
Bus Power Supply (USB)	5V --- 2.1 A MAX	Alimentare curent Bus (USB)	5V --- 2.1 A MAX

Design and specifications are subject to change without notice.

ROMÂNĂ

Power requirements	Refer to main label.	Cerințe curent electric	Consultați eticheta privitoare la alimentare.
Power consumption	Refer to main label.	Consum curent	Consultați eticheta privitoare la alimentare.
Dimensions (W x H x D)	Approx. 950 mm x 136 mm x 75 mm	Dimensiuni (L x H x A)	Aprox. 950 mm x 136 mm x 75 mm
Net Weight (Approx.)	4,6 kg	Greutate netă (aprox.)	4,6 kg
Bus Power Supply (USB)	5V --- 2.1 A MAX	Alimentare curent Bus (USB)	5V --- 2.1 A MAX

Designul și specificațiile pot fi modificate fără o înștiințare prealabilă.

CEŠTINA

Power requirements	Refer to main label.	Cerințe curent electric	Consultați eticheta privitoare la alimentare.
Power consumption	Refer to main label.	Consum curent	Consultați eticheta privitoare la alimentare.
Dimensions (W x H x D)	Approx. 950 mm x 136 mm x 75 mm	Dimensiuni (L x H x A)	Aprox. 950 mm x 136 mm x 75 mm
Net Weight (Approx.)	4,6 kg	Greutate netă (aprox.)	4,6 kg
Bus Power Supply (USB)	5V --- 2.1 A MAX	Alimentare curent Bus (USB)	5V --- 2.1 A MAX

Provedení a technické podmínky jsou předmětem změn bez upozornění.

POLSKI

Power requirements	Refer to main label.	Cerințe curent electric	Consultați eticheta privitoare la alimentare.
Power consumption	Refer to main label.	Consum curent	Consultați eticheta privitoare la alimentare.
Dimensions (W x H x D)	Approx. 950 mm x 136 mm x 75 mm	Dimensiuni (L x H x A)	Aprox. 950 mm x 136 mm x 75 mm
Net Weight (Approx.)	4,6 kg	Greutate netă (aprox.)	4,6 kg
Bus Power Supply (USB)	5V --- 2.1 A MAX	Alimentare curent Bus (USB)	5V --- 2.1 A MAX

Projekt i specyfikacje mogą ulec zmianom bez powiadomienia.

SIOVENCINA

Power requirements	Refer to main label.	Cerințe curent electric	Consultați eticheta privitoare la alimentare.
Power consumption	Refer to main label.	Consum curent	Consultați eticheta privitoare la alimentare.
Dimensions (W x H x D)	Approx. 950 mm x 136 mm x 75 mm	Dimensiuni (L x H x A)	Aprox. 950 mm x 136 mm x 75 mm
Net Weight (Approx.)	4,6 kg	Greutate netă (aprox.)	4,6 kg
Bus Power Supply (USB)	5V --- 2.1 A MAX	Alimentare curent Bus (USB)	5V --- 2.1 A MAX

Dizajn a technické údaje sa môžu zmeniť bez predchádzajúceho upozornenia.

Open source software notice

To obtain the corresponding source code under GPL, LGPL and other open source licenses, please visit <http://opensource.lge.com>. All referred license terms, warranty disclaimers and copyright notices are available to download with the source code.

Otevířete poznámku softwarového zdroje

Pro získání odpovídajícího zdrojového kódu v licenci GPL, LGPL a jiných licencí prosím navštivte stránku <http://opensource.lge.com>. Veškeré licenční a záruční podmínky a autorská práva jsou k dispozici ke stažení se zdrojovým kódem.

Poznámka k Open-source softwéru

Na získanie príslušného zdrojového kódu v rámci GPL, LGPL a iných licencií s otvoreným kódom navštivte stránku <http://opensource.lge.com>. Všetky uvedené licenčné podmienky, zrieknutia sa záruky a upozornenia týkajúce sa autorských práv sú dostupné na prevzatie so zdrojovým kódom.

Observație cu privire la software-ul „open source”

Pentru a obține codul sursă corespunzător conform GPL, LGPL și al altor licențe „open source”, vizitați <http://opensource.lge.com>. Toți termenii legat de licență, toate precizările juridice legate de garanție și observațiile legate de drepturile de autor, la care se face referință, sunt disponibile pentru a fi descărcate împreună cu codul sursă.

Uwaga dotycząca źródeła oprogramowania typu otwartego - Open source

Aby uzyskać odpowiadający kod źródłowy pod GPL, LGPL oraz innymi licencjami oprogramowania typu otwartego, odwiedź <http://opensource.lge.com>. Wszystkie warunki licencji, wyłączenia gwarancji i uwagi dotyczące praw autorskich są dostępne do pobrania wraz z kodem źródłowym.

Some of the content in this manual may differ from your player depending on the software of the player or your service provider. /
 Některé obsahy v tomto manuálu se mohou lišit od vašeho přehrávače, a to v závislosti na softwaru přehrávače nebo vašem poskytovateli služeb. /
 Niekotré časti obsahu v tomto návode sa môžu lišit od vášho prehrávača, a to v závislosti od softwéru prehrávača alebo vášho poskytovateľa služieb. /
 O parte din conținutul acestui manual poate fi diferit de player-ul dvs. în funcție de software-ul player-ului sau de furnizorul de servicii. /
 Niekotré treści zawarte w niniejszej instrukcji mogą różnić się od treści zawartych w twoim odtwarzaczu w zależności od wersji oprogramowania odtwarzacza lub twojego dostawcy usług.