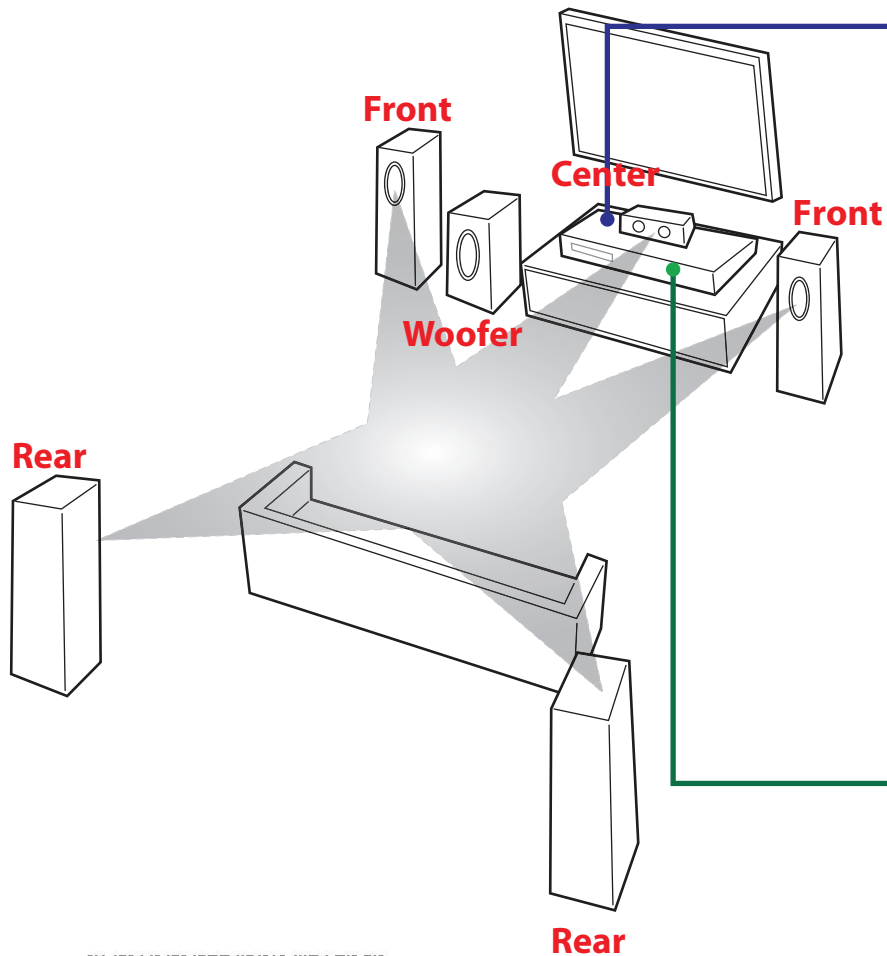


Quick Setup Guide

Accessories, speaker design and rear of units may be different according to models



←

Home theater

TV

Optical Cable
Input digital audio

Audio Cable
Input analogue audio

Detailed description: This diagram shows the audio connection options for a home theater system. On the left, a 'Home theater' unit has 'VIDEO OUT' and 'AUDIO INPUT' ports. On the right, a 'TV' unit has 'VIDEO', 'AUDIO L/R', and 'OPTICAL OUT' ports. An 'Optical Cable' connects the TV's 'OPTICAL OUT' to the Home theater's 'AUDIO INPUT'. An 'Audio Cable' connects the TV's 'AUDIO L/R' to the Home theater's 'AUDIO INPUT'. Arrows indicate the direction of signal flow.

→

Home theater

TV

HDMI Cable
[1080p/ 1080i/ 720p/ 576p (480p)]
HDMI Out providing a high quality interface for digital audio and video

Component Cable
[576p (480p), 576i (480i)]
Output digital video

Video Cable
[576i (480i)]
Output analogue video

Detailed description: This diagram shows the video connection options for a home theater system. On the left, a 'Home theater' unit has 'VIDEO OUT' and 'OUTPUT' ports. On the right, a 'TV' unit has 'COMPONENT INPUT' (Y, Pb, Pr), 'VIDEO', 'AUDIO INPUT', and 'HDMI IN' ports. An 'HDMI Cable' connects the Home theater's 'OUTPUT' to the TV's 'HDMI IN'. A 'Component Cable' connects the Home theater's 'VIDEO OUT' to the TV's 'COMPONENT INPUT'. A 'Video Cable' connects the Home theater's 'VIDEO OUT' to the TV's 'VIDEO' port. Arrows indicate the direction of signal flow.

Quick Setup Guide

Accessories, speaker design and rear of units may be different according to models

