



# Cassette cover installation guide

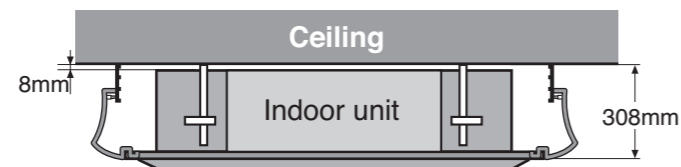
## ■ Follow the details to install the external cover correctly.

- Read the installation manual carefully before installing the cover.
- To prevent the exterior of the cover from being scratched or become dirty during the assembly, always put a clean sheet on the floor.
- Always use the screw included in the product.  
(If you use other screws, it can damage the product.)

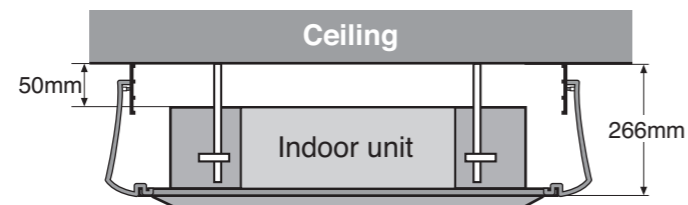
## ■ The purpose of this external cover is to prevent the indoor unit from being exposed externally.

- Use this when install the cassette air conditioner on the ceiling without any finishing.

Indoor unit height : 288 mm (11-11/32 inch)  
TM-A model

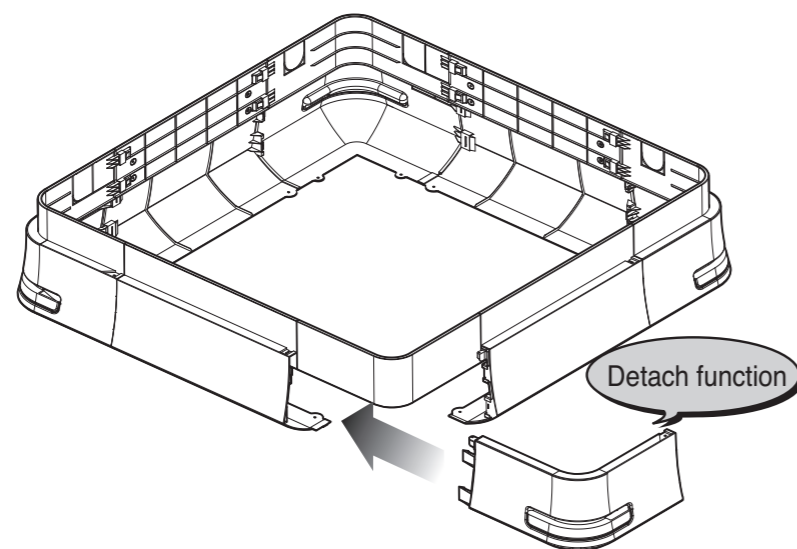


Indoor unit height : 204 mm (8-1/32 inch)  
TP-B model

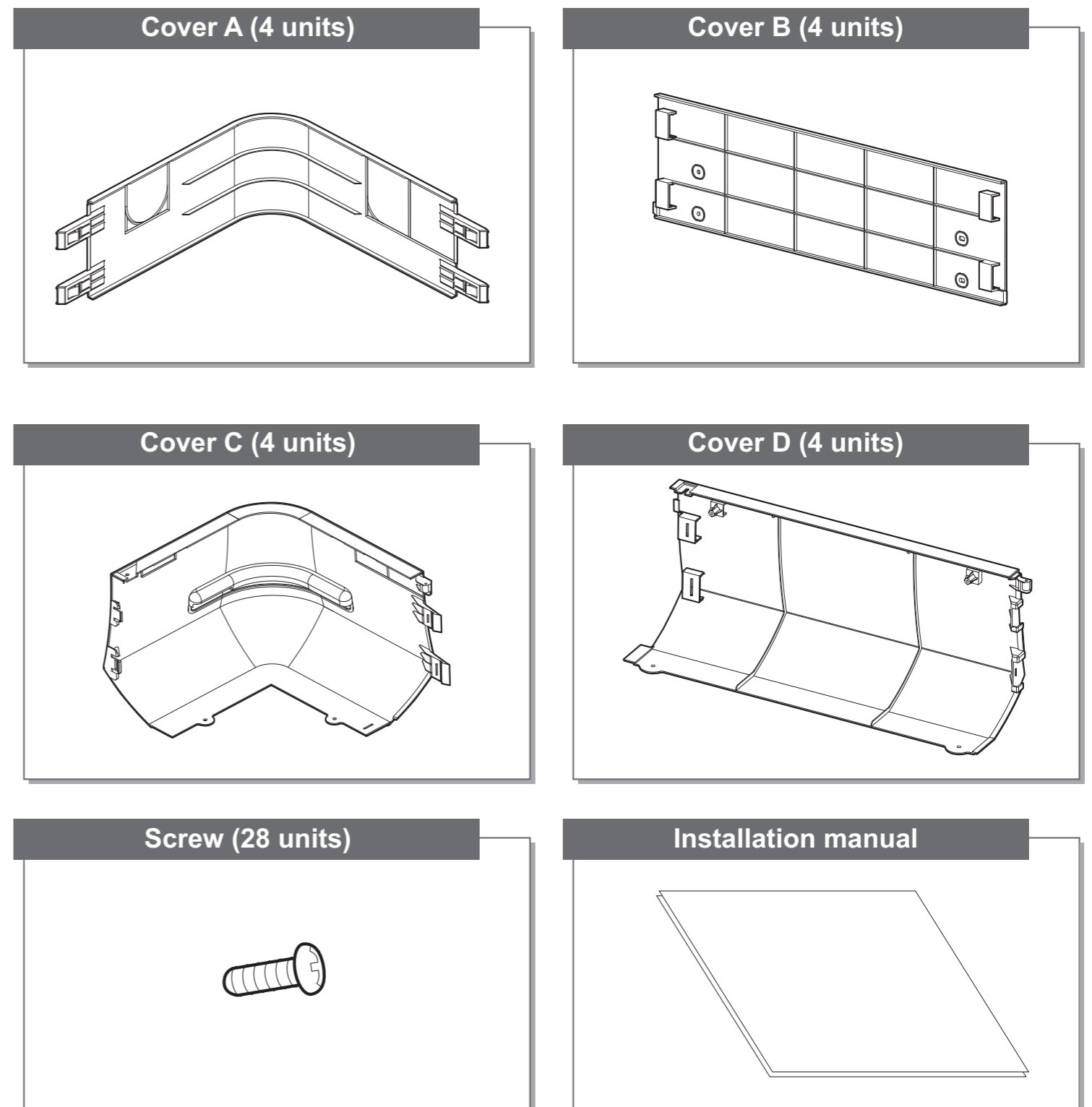


## ■ The characteristics of this external cover are as follows.

1. The height of the cover can be adjusted according to the height of the product.  
(Refer to top picture)
2. Cover on the piping side can be detached.

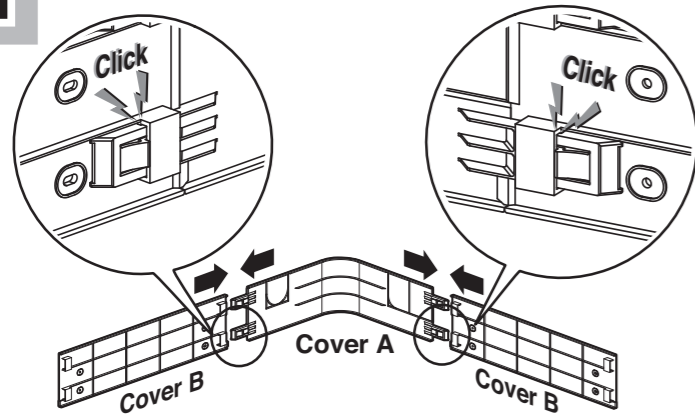


## ■ This product is composed of the following components.

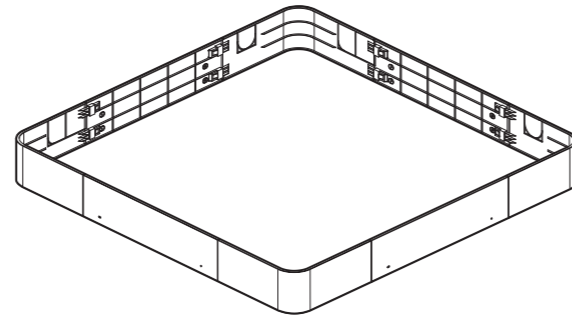


# Installation order

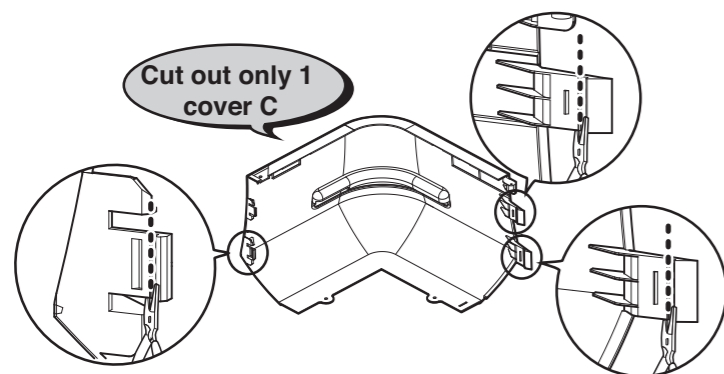
**1** Assemble 4 covers A and 4 covers B as shown in the picture.



**2** Complete the assembly until the rectangular shape is formed as shown in the picture.

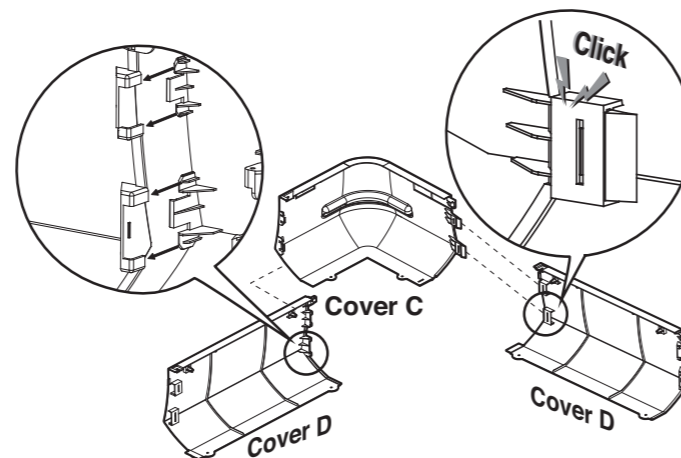


**3** Take one of the 4 covers C and cut out 3 locations for assembly. (Cut out by the groove on the assembly part.)

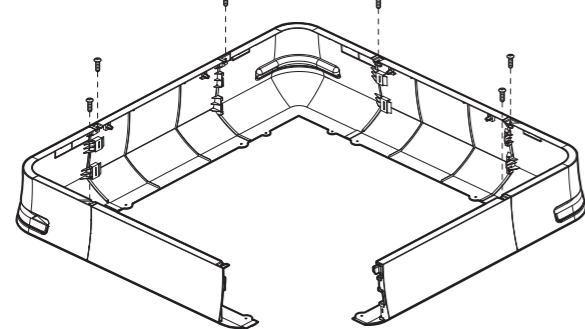


**4** Assemble the remaining 3 covers C and 4 covers D so that they form a rectangular shape as shown in the picture.

**!** Do not assemble one cover C of which the assembly part is cut out so that it can be detached.

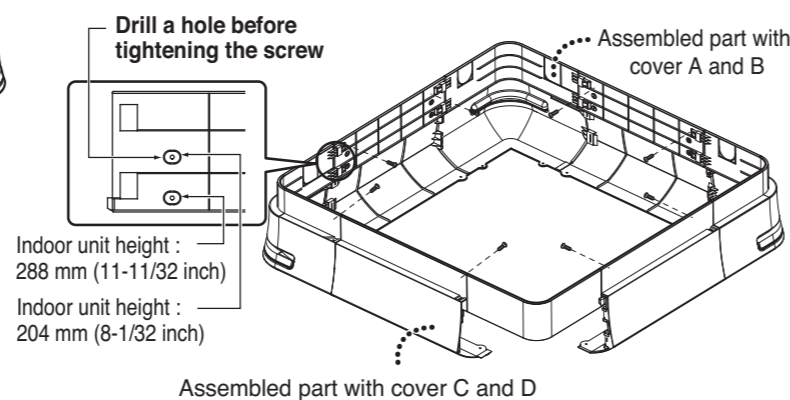


**5** Assemble using cover C and D as shown in the picture and use the provided screws to tighten the covers. (6 locations)

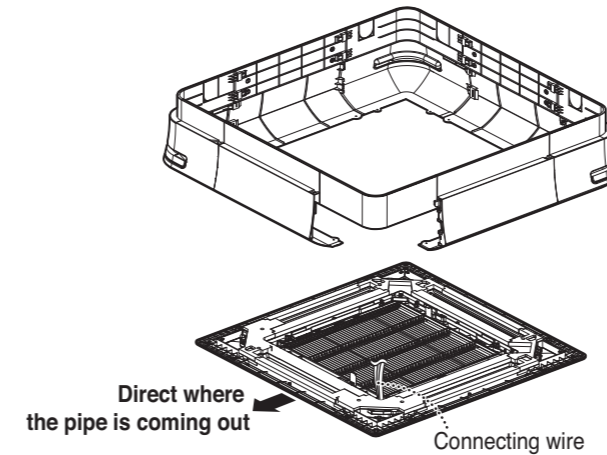


**6** Set the assembled part with cover A and B, and the assembled part with cover C and D to the height of the indoor unit, and tighten the screws. (8 locations)

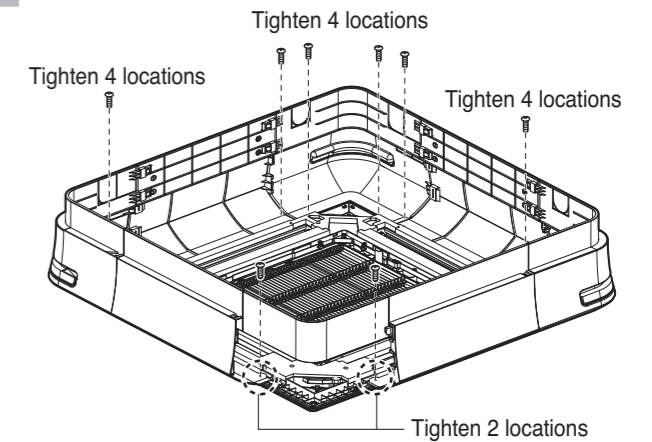
**!** If the indoor unit height is 204 mm (8-1/32 inch), drill the hole "b" before tightening the screw.



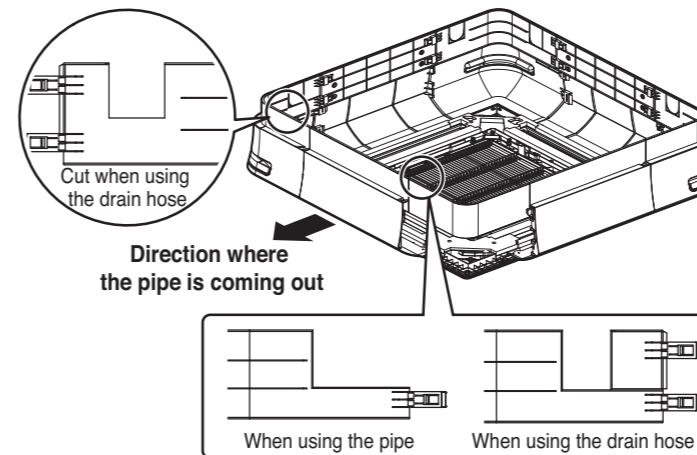
**7** Check the direction of the front panel and set the cover on the panel. (The direction the connecting wire is coming out is the same as the location of the detachable cover.)



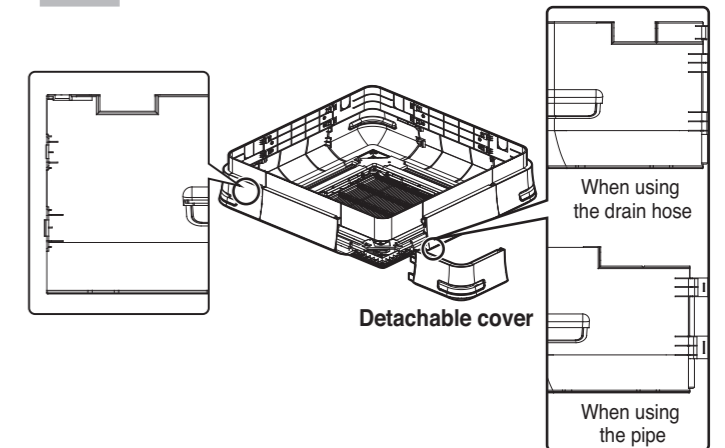
**8** Use the provided screws to assemble the cover on the front panel. (14 locations)



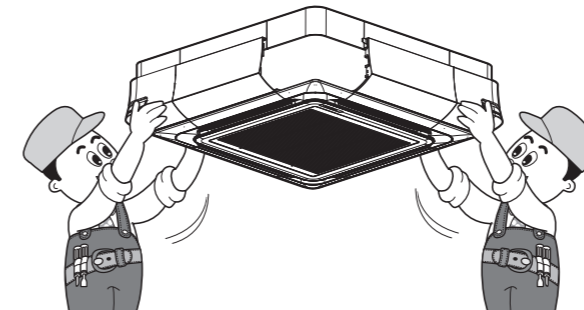
**9** After selecting the direction you want, make holes for pipe and drain hose to fit the installation environment.



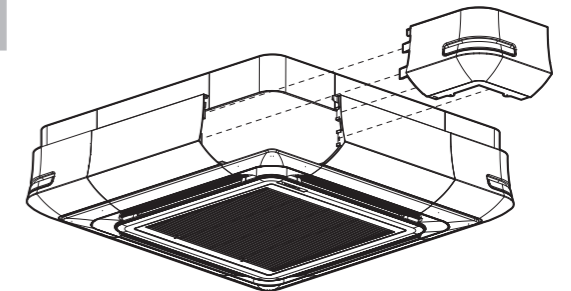
**10** If the indoor unit height is 204 mm (8-1/32 inch), drill a hole in cover C as well.



**11** Hold the front panel while keeping it leveled to assemble the indoor unit. (Refer to product installation manual)



**12** Assemble the detachable cover C.



### Disposal of your old appliance

1. This crossed-out wheeled bin symbol indicates that waste electrical and electronic products (WEEE) should be disposed of separately from the municipal waste stream.
2. Old electrical products can contain hazardous substances so correct disposal of your old appliance will help prevent potential negative consequences for the environment and human health. Your old appliance may contain reusable parts that could be used to repair other products, and other valuable materials that can be recycled to conserve limited resources.
3. You can take your appliance either to the shop where you purchased the product, or contact your local government waste office for details of your nearest authorised WEEE collection point. For the most up to date information for your country please see [www.lg.com/global/recycling](http://www.lg.com/global/recycling)