



# INSTALLATION MANUAL

# AIR CONDITIONER

Please read this installation manual completely before installing the product. Installation work must be performed in accordance with the national wiring standards by authorized personnel only. Please retain this installation manual for future reference after reading it thoroughly.  
※ This product contains Fluorinated Greenhouse Gases. (R410A)

FLOOR STANDING  
Original instruction

For more information, Refer to the CD or LG Web site ([www.lg.com](http://www.lg.com)).



MFL67855511  
Rev.01\_031825

Copyright © 2013 - 2025 LG Electronics Inc. All Rights Reserved.

[www.lg.com](http://www.lg.com)

ENGLISH

ITALIANO

ESPAÑOL

FRANÇAIS

DEUTSCH

ΕΛΛΗΝΙΚΑ

ČEŠTINA

NETERLANDS

POLSKI

LIMBA ROMÂNĂ

## TIPS FOR SAVING ENERGY

Here are some tips that will help you minimize the power consumption when you use the air conditioner. You can use your air conditioner more efficiently by referring to the instructions below:

- Do not cool excessively indoors. This may be harmful for your health and may consume more electricity.
- Block sunlight with blinds or curtains while you are operating the air conditioner.
- Keep doors or windows closed tightly while you are operating the air conditioner.
- Adjust the direction of the air flow vertically or horizontally to circulate indoor air.
- Speed up the fan to cool or warm indoor air quickly, in a short period of time.
- Open windows regularly for ventilation as the indoor air quality may deteriorate if the air conditioner is used for many hours.
- Clean the air filter once every 2 weeks. Dust and impurities collected in the air filter may block the air flow or weaken the cooling / dehumidifying functions.

### *For your records*

Staple your receipt to this page in case you need it to prove the date of purchase or for warranty purposes. Write the model number and the serial number here:

Model number : \_\_\_\_\_

Serial number : \_\_\_\_\_

You can find them on a label on the side of each unit.

Dealer's name : \_\_\_\_\_

Date of purchase : \_\_\_\_\_

# IMPORTANT SAFETY INSTRUCTIONS

## ***READ ALL INSTRUCTIONS BEFORE USING THE APPLIANCE.***

Always comply with the following precautions to avoid dangerous situations and ensure peak performance of your product.

### **⚠ WARNING**

It can result in serious injury or death when the directions are ignored.

### **⚠ CAUTION**

It can result in minor injury or product damage when the directions are ignored.

### **⚠ WARNING**

- Installation or repairs made by unqualified persons can result in hazards to you and others.
- Installation **MUST** conform with local building codes or, in the absence of local codes, with the Nation Electrical Code NFPA 70/ANSI C1-1003 or current edition and Canadian Electrical Code Part1 CSA C.22.1.
- The information contained in the manual is intended for use by a qualified service technician familiar with safety procedures and equipped with the proper tools and test instruments.
- Failure to carefully read and follow all instructions in this manual can result in equipment malfunction, property damage, personal injury and/or death.

## Installation

- Always perform grounding.
  - Otherwise, it may cause electrical shock.
- Don't use a power cord, a plug or a loose socket which is damaged.
  - Otherwise, it may cause a fire or electrical shock.
- For installation of the product, always contact the service center or a professional installation agency.
  - Otherwise, it may cause a fire, electrical shock, explosion or injury.
- Securely attach the electrical part cover to the indoor unit and the service panel to the outdoor unit.
  - If the electrical part cover of the indoor unit and the service panel of the outdoor unit are not attached securely, it could result in a fire or electric shock due to dust, water, etc.
- Always install an air leakage breaker and a dedicated switching board.
  - No installation may cause a fire and electrical shock.
- Do not keep or use flammable gases or combustibles near the air conditioner.
  - Otherwise, it may cause a fire or the failure of product.
- Ensure that an installation frame of the outdoor unit is not damaged due to use for a long time.
  - It may cause injury or an accident.
- Do not disassemble or repair the product randomly.
  - It will cause a fire or electrical shock.
- Do not install the product at a place that there is concern of falling down.
  - Otherwise, it may result in personal injury.
- Use caution when unpacking and installing.
  - Sharp edges may cause injury.

## Operation

- Do not share the outlet with other appliances.
  - It will cause an electric shock or a fire due to heat generation.
- Do not use the damaged power cord.
  - Otherwise, it may cause a fire or electrical shock.
- Do not modify or extend the power cord randomly.
  - Otherwise, it may cause a fire or electrical shock.
- Take care so that the power cord may not be pulled during operation.
  - Otherwise, it may cause a fire or electrical shock.
- Unplug the unit if strange sounds, smell, or smoke comes from it.
  - Otherwise, it may cause electrical shock or a fire.
- Keep the flames away.
  - Otherwise, it may cause a fire.
- Take the power plug out if necessary, holding the head of the plug and do not touch it with wet hands.
  - Otherwise, it may cause a fire or electrical shock.
- Do not use the power cord near the heating tools.
  - Otherwise, it may cause a fire and electrical shock.
- Do not open the suction inlet of the indoor/outdoor unit during operation.
  - Otherwise, it may electrical shock and failure.
- Do not allow water to run into electrical parts.
  - Otherwise, it may cause the failure of machine or electrical shock.
- Hold the plug by the head when taking it out.
  - It may cause electric shock and damage.
- Never touch the metal parts of the unit when removing the filter.
  - They are sharp and may cause injury.

- Do not step on the indoor/outdoor unit and do not put anything on it.
  - It may cause an injury through dropping of the unit or falling down.
- Do not place a heavy object on the power cord.
  - Otherwise, it may cause a fire or electrical shock.
- When the product is submerged into water, always contact the service center.
  - Otherwise, it may cause a fire or electrical shock.
- Take care so that children may not step on the outdoor unit.
  - Otherwise, children may be seriously injured due to falling down.

## CAUTION

### Installation

- Install the drain hose to ensure that drain can be securely done.
  - Otherwise, it may cause water leakage.
- Install the product so that the noise or hot wind from the outdoor unit may not cause any damage to the neighbors.
  - Otherwise, it may cause dispute with the neighbors.
- Always inspect gas leakage after the installation and repair of product.
  - Otherwise, it may cause the failure of product.
- Keep level parallel in installing the product.
  - Otherwise, it may cause vibration or water leakage.
- Do not install the unit in potentially explosive atmospheres.

### Operation

- Avoid excessive cooling and perform ventilation sometimes.
  - Otherwise, it may do harm to your health.
- Use a soft cloth to clean. Do not use wax, thinner, or a strong detergent.
  - The appearance of the air conditioner may deteriorate, change color, or develop surface flaws.
- Do not use an appliance for special purposes such as preserving animals vegetables, precision machine, or art articles.
  - Otherwise, it may damage your properties.
- Do not place obstacles around the flow inlet or outlet.
  - Otherwise, it may cause the failure of appliance or an accident.

# TABLE OF CONTENTS

## 2 TIPS FOR SAVING ENERGY

---

## 3 IMPORTANT SAFETY INSTRUCTIONS

---

## 9 INSTALLATION PLACE

---

9 Select the best Location

9 - Indoor unit

## 10 INSTALLATION

---

10 Indoor unit installation

11 Precautions in bending

## 12 WIRING CONNECTION

---

12 Connecting the cable

12 - Indoor unit

## 13 LEAKAGE TEST AND EVALUATION

---

13 Vacuum drying of the connecting pipes and the indoor unit

## 14 FINAL CHECK AND TEST RUN

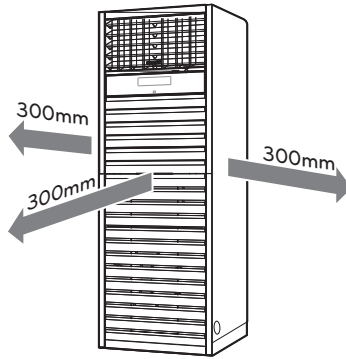
---

# INSTALLATION PLACE

## Select the best Location

### Indoor unit

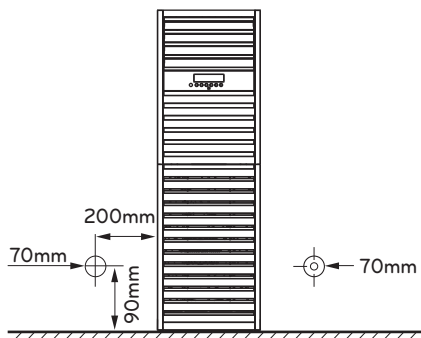
- There should not be any heat source or steam near the unit.
- There should not be any obstacles to prevent the air circulation.
- A place where air circulation in the room will be good.
- A place where drainage can be easily obtained.
- A place where noise prevention is taken into consideration.
- Do not install the unit near the door way.
- Ensure the spaces indicated by arrows from the wall, ceiling, or other obstacles.
- The indoor unit must keep the maintenance space.



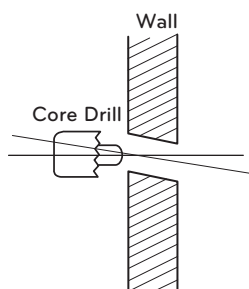
# INSTALLATION

## Indoor unit installation

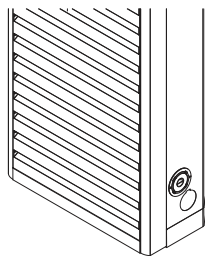
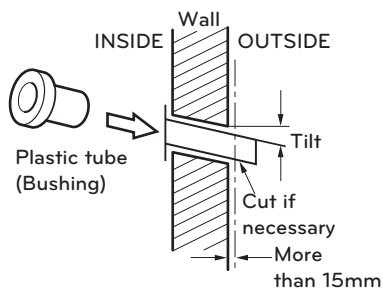
- 1 The mounting floor should be strong and solid enough to prevent it from vibration.
- 2 Drill the piping hole with 70mm diameter hole-core drill at either the right or the left of indoor unit. The hole should be slightly slant to the outdoor side.



- 3 Insert the plastic tube through the hole.



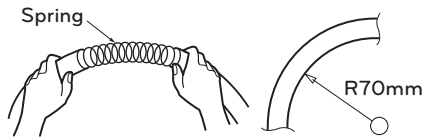
- 4 Cut the extruded outside part of the plastic tube, if necessary.



- When using knock-out hole to route the piping, insert the plastic cover in knock-out hole in order to prevent the piping from damaged by sharp edge of the hole.

## Precautions in bending

- 1 If it is necessary to bend or stretch the tubing, use the spring which is attached to the tubing instead of pipe bender.
  - Please make a careful notice to make a smooth line.
  - Hold the tubing with your two hands closely and then bend or stretch it slowly not to make any crack.
  - Remember that the radius (R) should not exceed 70mm (Refer to Fig. 1)
- 2 Do not repeat the bending process to prevent the tubing from cracking or crushing.
- 3 Keep in mind that the bending part should not be cracked and make the radius (R) as long as possible (Refer to Fig. 2)



(Fig. 1)



(Fig. 2)

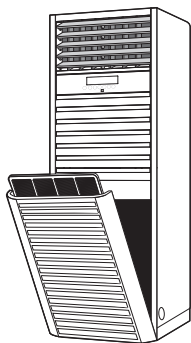
# WIRING CONNECTION

## Connecting the cable

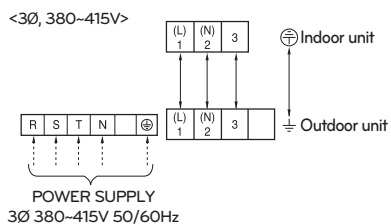
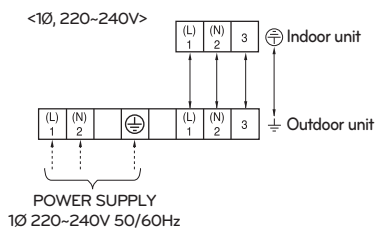
### Indoor unit

\* The inside and outside connecting cable can be connected after opening the inlet grille.

- 1 Open the inlet grille manually.



- 2 Open the control cover with Driver(⊕)
- 3 Connect the cables to the connector in the control box.



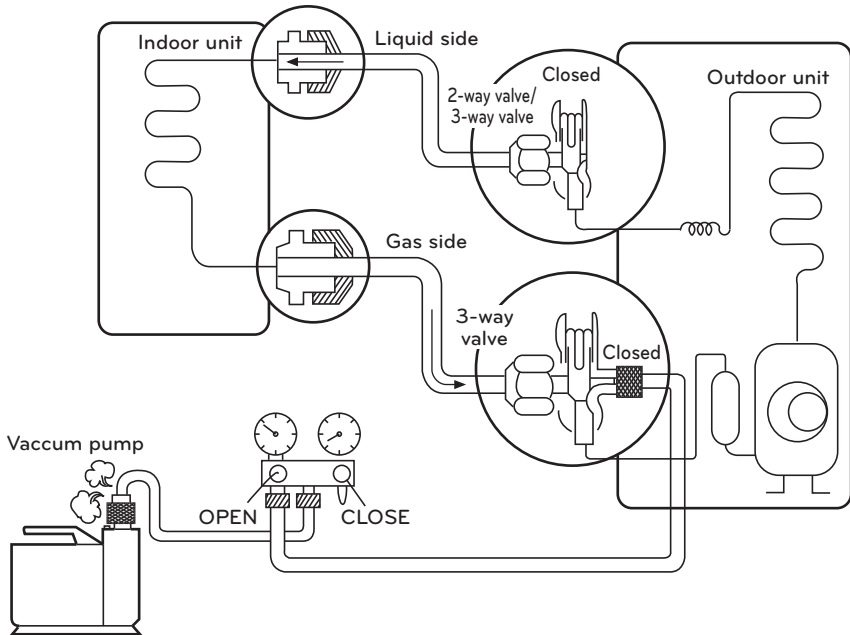
- 4 Secure the control cover to the original position with the screw.
- 5 Close the inlet grille.

# LEAKAGE TEST AND EVALUATION

## Vacuum drying of the connecting pipes and the indoor unit

The air which contains moisture remaining in the refrigeration cycle may cause a malfunction on the compressor.

- 1 Confirm that both the liquid side valve and the gas side valve are set to the closed position.
- 2 After connecting the piping, check the joints for gas leakage with gas leak detector.
- 3 Remove the service port nut, and connect the gauge manifold and the vacuum pump to the service port by the charge hose.
- 4 Vacuum the indoor unit and the connecting pipes until the pressure in them lowers to below  $-76\text{cmHg}$ .
- 5 Remove the valve stem nuts, and fully open the stems of the 2-way and 3-way valves with a hexagon wrench.
- 6 Tighten the valve stem nuts of the 2-way valve and 3-way valve.
- 7 Disconnect the charge hose and fit the nut to the service port.  
(Tightening torque:  $1.8\text{kg}\cdot\text{m}$ )



## FINAL CHECK AND TEST RUN

After installing the unit, perform the final check and running test as follows:

Final check points

- 1 Is the unit securely mounted?
- 2 Is the installation location adequate?
- 3 Does the water piping work adequately and without leakage?
- 4 Are trapped drain lines installed at condensate drain connections?
- 5 Has the refrigeration cooling cycle been kept sealed?
- 6 Is the electrical wiring adequate and are the screws tightened on terminals?

After the above final checkings, prepare the running test as follows:

- 1 Connect compound gauges to the check joints at discharge and suction sides of the compressor.
- 2 Turn all switches "OFF".
- 3 Turn the main switch "ON".

Running test should be accomplished as follows:

- 1 Set operation switch at "FAN" and the fan will start. Check to ensure that the fan sounds normal.
- 2 Next, set it at "COOL" and the compressor will start. Check to ensure that the compressor sounds normal.
- 3 Check discharge and suction pressure on the compound gauges.
- 4 Check working voltage, phase balance and running current.
- 5 Check to ensure that the thermistor functions properly.
- 6 Check to ensure that the high pressure control switch functions correctly.



Manufacturer :

LG Electronics Inc.

84, Wanam-ro, Seongsan-gu, Changwon-si, Gyeongsangnam-do, KOREA

UK Importer : LG Electronics U.K. Ltd

Velocity 2, Brooklands Drive, Weybridge, KT13 0SL

Eco design requirement

- The information for Eco design is available on the following free access website.  
<https://www.lg.com/global/support/cedoc/cedoc>