



ENGLISH

ESPAÑOL

FRANÇAIS

OWNER'S MANUAL TOP MOUNT REFRIGERATOR

Please read this owner's manual thoroughly before operating and keep it handy for reference at all times.

Model Name

LTNS16121V



AFN73165211

P/No.: MFL62423831-2
www.lg.com

TABLE OF CONTENTS

2 PRODUCT FEATURES

3 IMPORTANT SAFETY INSTRUCTIONS

- 4 Important safety instructions
- 5 Important safety instructions

6 PRODUCT OVERVIEW

- 6 Refrigerator Exterior
- 7 Refrigerator Interior

8 INSTALLATION

- 8 Installation Overview
- 8 Specifications
- 9 Unpacking the Refrigerator
- 9 Choosing the Proper Location
 - 9 - Flooring
 - 9 - Ambient Temperature
 - 9 - Measuring the Clearances
- 10 Removing / Assembling the Doors
- 11 Assembling the Refrigerator Door
- 11 Assembling the Freezer Door
- 12 Turning on the Power
- 12 Leveling

13 OPERATION

- 13 Before Use
- 14 Control Panel
- 15 Storing Food
 - 15 - Food Preservation Location
 - 16 - Food Storage Tips
 - 16 - Storing Frozen Food
- 16 Adjusting the Refrigerator Shelves
- 17 Removing the Shelf
- 17 Assembling the Shelf
- 17 Humidity Controlled Crisper
- 18 Assembling/Disassembling Door Bin
- 18 Icemaker

19 MAINTENANCE

- 19 Cleaning

20 TROUBLESHOOTING

- 21 Troubleshooting
- 22 Troubleshooting
- 23 Troubleshooting

24 SMART DIAGNOSIS™

- 24 Using Smart Diagnosis™

25 WARRANTY

- 26 Warranty

27 NOTES

PRODUCT FEATURES

- Depending on the model, some of the following functions may not be available.



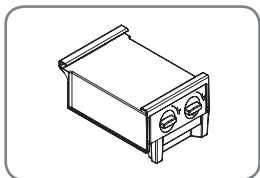
SMART DIAGNOSIS™

Use this function to contact the LG Customer Information Center and receive precise diagnosis when the refrigerator malfunctions or fails. This is used only for troubleshooting purposes and not during normal operation.



HUMIDITY CONTROLLED CRISPERS

The Humidity Controlled Crispers are designed to help keep your fruits and vegetables fresh and crisp.



ICEMAKER

To suit your individual storage needs your icemaker can be moved from one side to another.

WARNING

Fill with potable water only.

IMPORTANT SAFETY INSTRUCTIONS

READ ALL INSTRUCTIONS BEFORE USING THE APPLIANCE.

This guide contains many important safety messages. Always read and obey all safety messages.



This is the safety alert symbol. It alerts you to safety messages that inform you of hazards that can kill or hurt you or others, or cause damage to the product.

All safety messages will be preceded by the safety alert symbol and the hazard signal word WARNING or CAUTION. These words mean:



WARNING You can be killed or seriously injured if you do not follow instructions.



CAUTION Indicates an imminently hazardous situation which, if not avoided, may result in minor or moderate injury, or product damage.



WARNING

To reduce the risk of fire, electric shock, or personal injury when using your product, basic safety precautions should be followed, including the following:

Power

- NEVER unplug your refrigerator by pulling on the power cord. Always grip the plug firmly and pull it straight out from the outlet.
- If the supply cord is damaged, it must be replaced by the manufacturer or its service agent or a similar qualified person in order to avoid a safety hazard. Do not use a cord that shows cracks or abrasion damage along its length or at either the plug or connector end.
- Do not use an uncertified power outlet.
- Unplug the power plug immediately in the event of a blackout or thunderstorm.
- Plug in the power plug with the power cord facing downward.
- Do not use extension cords or ungrounded (two prong) adapters.

Installation

- Contact an authorized service center when you install or relocate the refrigerator.
- When moving your refrigerator away from the wall, be careful not to roll over or damage the power cord.
- Prior to use, ensure that you are connecting this product to a dedicated grounded electrical outlet rated for use with this product (115V~ 60Hz, AC only). It is the user's responsibility to replace a standard 2-prong wall outlet with a standard 3-prong wall outlet.
- Do not install the refrigerator where there may be a danger of the unit falling.

Use

- DO NOT allow children to climb, stand, or hang on the refrigerator doors or on the shelves in the refrigerator. They could damage the refrigerator and seriously injure themselves.
- Do not hang on to or place heavy objects on the refrigerator's dispenser.
- Do not place heavy or dangerous objects (bottles with liquid) on the refrigerator.
- Do not put live animals inside the refrigerator.
- Do not allow children to climb into the product when it is in use.
- In the event of a gas leak (propane/LPG), ensure adequate ventilation and contact an authorized service center before resuming use. Do not touch or disassemble the electrical outlet of the refrigerator.
- In the event of a refrigerant leak, move flammable objects away from the refrigerator. Ensure adequate ventilation and contact an authorized service center.
- Do not use or place flammable substances (chemicals, medicine, cosmetics, etc) near the refrigerator or store them inside the refrigerator. Do not place the refrigerator in the vicinity of flammable gas.
- Do not store explosive substances such as aerosol cans with a flammable propellant in this appliance.

READ ALL INSTRUCTIONS BEFORE USING THE APPLIANCE.

To reduce the risk of fire, electric shock, or personal injury when using your product, basic safety precautions should be followed, including the following:

- This product is not to be used for special purposes such as the storage of medicine or test materials or for use on ships, etc.
- Unplug the power plug before cleaning or repairing the refrigerator.
- Do not modify or extend the power cord.
- Do not use a dryer to dry the interior. Do not light a candle to remove interior odors.
- For your safety, this appliance must be properly grounded. Have the wall outlet and the circuit checked by a qualified electrician to make sure the outlet is properly grounded.
- Do not use an outlet that can be turned off with a switch. Do not use an extension cord. It is the user's responsibility to replace a standard 2-prong wall outlet with a standard 3-prong wall outlet.
- Do not, under any circumstances, cut or remove the third (ground) prong from the power cord.
- Do not use an adapter plug and plug the power plug into a multi-outlet extension cord.
- Disconnect the power cord immediately if you hear a noise, smell a strange odor or detect smoke coming from the appliance.
- Turn the power off if water or dust penetrates into the refrigerator. Call a service agent.
- Do not disassemble or modify the refrigerator.
- Do not put hands, feet, or metal objects below or behind the refrigerator.
- Do not touch the cold surfaces in the freezer compartment with wet or damp hands, when your refrigerator is in operation.
- Do not put glass containers, glass bottles or soda in the freezer.
- This appliance is not intended for use by persons (including children) with reduced physical, sensory or mental capabilities, or lack of experience and knowledge, unless they have been given supervision or instruction concerning the use of the appliance by a person responsible for their safety. Children should be supervised to assure that they do not play with the appliance.
- Do not refreeze frozen food that has thawed completely. Doing so may result in a serious health issue.
- If you are throwing away your old refrigerator, make sure the CFC or HCFC coolant is removed for proper disposal by a qualified servicer. If you release CFC/HCFC coolant, you may be fined or imprisoned in accordance with the relevant environmental law.
- Junked or abandoned refrigerators are dangerous, even if they are sitting for only a few days. When disposing of the refrigerator, remove the packing materials from the door or take off the doors but leave the shelves in place so that children may not easily climb inside.
- If the refrigerator is connected to a circuit protected by fuses, use time delay fuses.
- This product contains flammable insulation blowing agents. If this unit is no longer in use, contact local authorities for information on safely disposing of this product as it contains flammable cyclopentane or a pentane-like blowing agent for insulation. Insulation blowing agents require a special disposal process.
- Do not damage the refrigerant circuit.

READ ALL INSTRUCTIONS BEFORE USING THE APPLIANCE.

To reduce the risk of fire, electric shock, or personal injury when using your product, basic safety precautions should be followed, including the following:

 **CAUTION**
Installation

- The refrigerator must be properly installed in accordance with the Installer Instructions that were taped to the front of the refrigerator.
- Be careful when you unpack and install the refrigerator. Immediately dispose of plastic and other packing materials out of the reach of children.
- The appliance must be positioned for easy access to a power source.

Use

- Close the door carefully when children are around.
- Keep fingers out of pinch point areas; clearances between the doors and cabinets are necessarily small. Be careful closing doors when children are nearby.
- If you store food improperly, be aware that it may fall and cause injury.
- Do not use aerosols near the refrigerator.
- Do not store articles on the top of the appliance.

Maintenance

- Do not use strong detergents like wax or thinners for cleaning. Clean with a soft cloth.
- Wipe foreign objects (such as dust and water) off the prongs of the power plug and contact areas regularly.
- Do not store, disassemble or repair the refrigerator by yourself.
- Remove any dust or foreign matter from the power plug pins.
- Do not use a wet or damp cloth when cleaning the plug.
- If the refrigerator is disconnected from the power supply, wait for at least five minutes before plugging it back in.
- If you notice a chemical or burning plastic smell or see smoke, unplug the refrigerator immediately and contact your LG Electronics Service Center.

 **WARNING**

This product contains chemicals known to the State of California to cause cancer and birth defects or other reproductive harm. **Wash hands after handling.**

 **WARNING**
Do not use Mechanical Devices

Do not use mechanical devices or other means to accelerate the defrosting process, only those recommended by the manufacturer.

 **WARNING**
Do not store Electrical Appliances

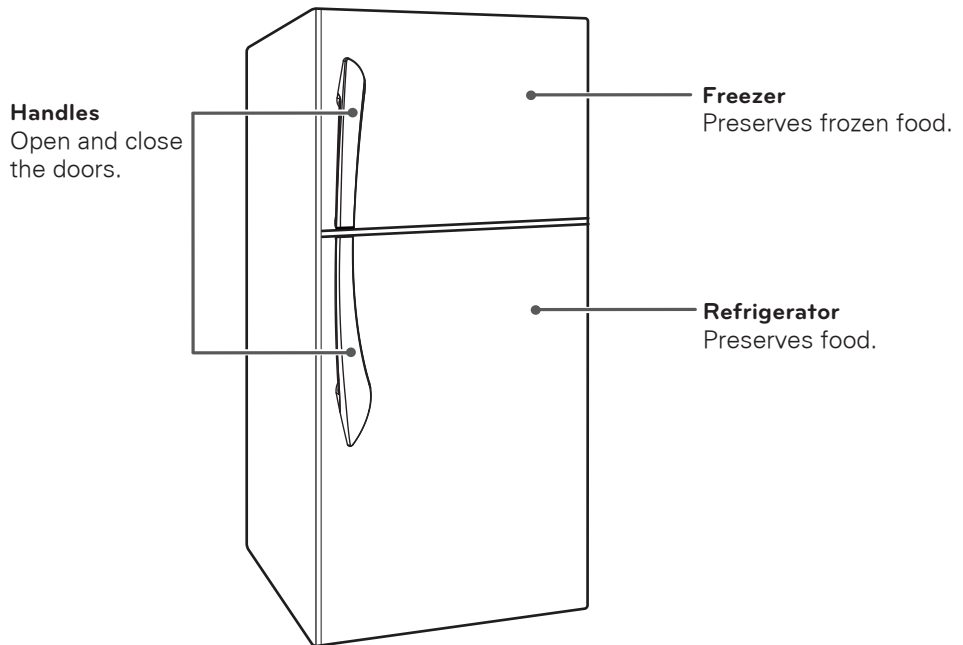
Do not use electrical appliances inside the food storage compartment, unless they are recommended by the manufacturer.

SAVE THESE INSTRUCTIONS

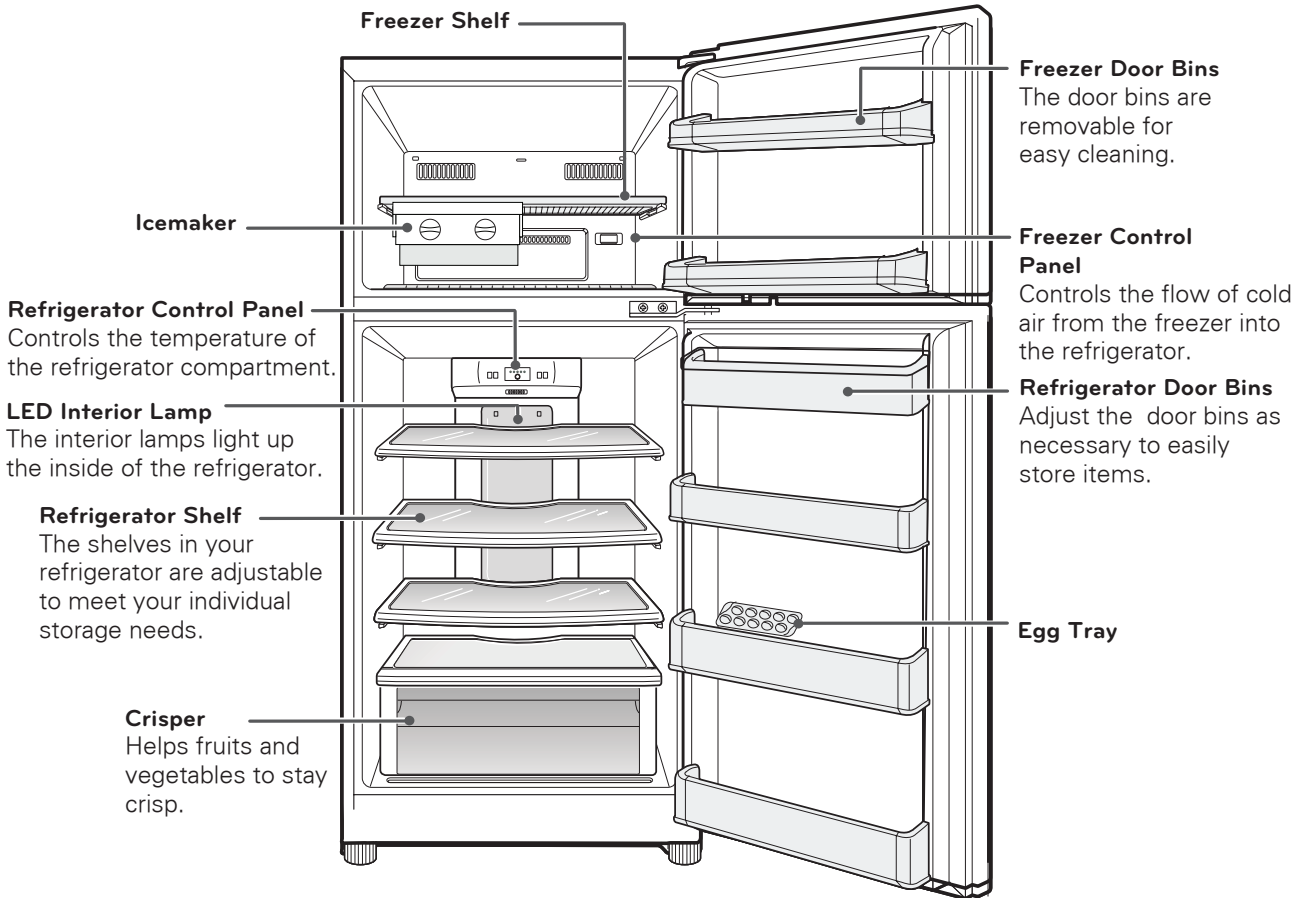
PRODUCT OVERVIEW

Use this section to become more familiar with the parts and features of your refrigerator.

Refrigerator Exterior



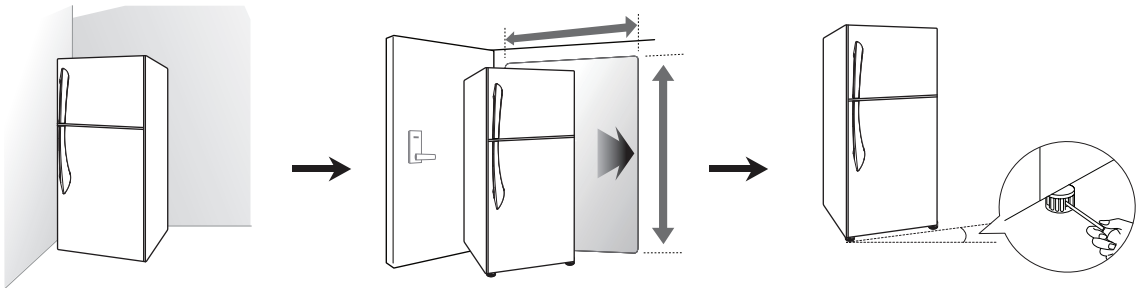
Refrigerator Interior



INSTALLATION

Installation Overview

Please read the following installation instructions first after purchasing this product or transporting it to another location.



1 Unpacking your refrigerator

2 Choosing the proper location

3 Leveling and Door Alignment

This appliance is intended to be used in household and similar applications such as:

- Staff kitchen areas in shops, offices and other working environments; farm houses and by clients in hotels, motels and other residential environments.
- Bed and breakfast like environments; catering and similar non-retail applications.

Specifications

The appearance and specifications listed in this manual may vary due to constant product improvements.

Dimensions	Width 31 in (787 mm)	Depth 29 in (737 mm)	Height 71 in (1803 mm)
Net Weight	182,98 lb. (83 kg)		

Unpacking the Refrigerator

! WARNING

- Use two or more people to move and install the refrigerator. Failure to do so can result in back or other injury.
- The refrigerator is heavy. When moving the refrigerator for cleaning or service, be sure to protect the floor. Always pull the refrigerator straight out when moving it. Do not wiggle or walk the refrigerator when trying to move it, as floor damage could occur.
- Keep flammable materials and vapors, such as gasoline, away from the refrigerator. Failure to do so can result in fire, explosion, or death.

Remove tape and any temporary labels from your refrigerator before using. Do not remove any warning-type labels or the model and serial number labels.

To remove any remaining tape or glue, rub the area briskly with your thumb. Tape or glue residue can also be easily removed by rubbing a small amount of liquid dish soap over the adhesive with your fingers. Wipe with warm water and dry.

Do not use sharp instruments, rubbing alcohol, flammable fluids, or abrasive cleaners to remove tape or glue. These products can damage the surface of your refrigerator.

Refrigerator shelves are installed in the shipping position. Please reinstall shelves according to your individual storage needs.

Choosing the Proper Location

- The refrigerator should always be plugged into its own individual properly grounded electrical outlet rated for 115 V~60 Hz, AC only, and fused at 15 A.
- This provides the best performance and also prevents overloading house wiring circuits which could cause a fire hazard from overheated wires. It is recommended that a separate circuit serving only this appliance be provided.

! WARNING

To reduce the risk of electric shock, do not install the refrigerator in a wet or damp area.

Flooring

To avoid noise and vibration, the unit must be leveled and installed on a solidly constructed floor. If required, adjust the leveling legs to compensate for unevenness of the floor. The front should be slightly higher than the rear to aid in door closing. Leveling legs can be turned easily by tipping the cabinet slightly. Turn the leveling legs to the left to raise the unit or to the right to lower it (See Leveling section).

! NOTE

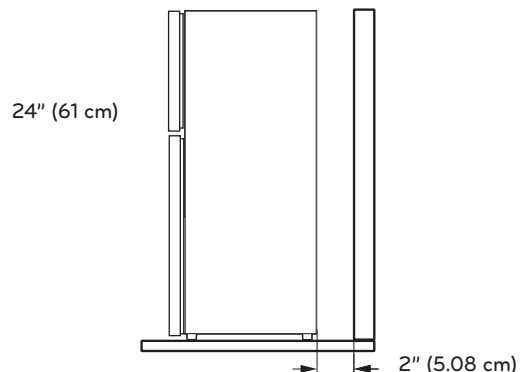
Installing on carpeting, soft tile surfaces, a platform or weakly supported structure is not recommended.

Ambient Temperature

Install this appliance in an area where the temperature is between 55 °F (13 °C) and 110 °F (43 °C). If the temperature around the appliance is too low or high, cooling ability may be adversely affected.

Measuring the Clearances

Too small of a distance from adjacent items may result in lowered freezing capability and increased electricity consumption charges. Allow at least 24 inches (61 cm) in front of the refrigerator to open the doors, and at least 2 inches (5.08 cm) between the back of the refrigerator and the wall.



Removing / Assembling the Doors

When it is necessary to move the refrigerator through a narrow opening, removing the doors is the recommended procedure.

WARNING

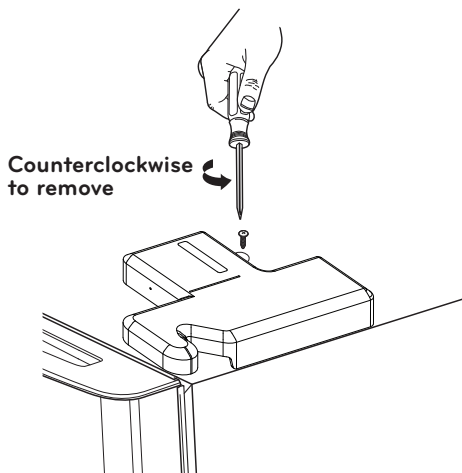
- If your entrance door is too narrow for the refrigerator to pass through, remove the refrigerator doors and move the refrigerator sideways through the doorway.
- Use two or more people to remove and install the refrigerator doors. Failure to do so can result in back or other injury.
- Disconnect the electrical supply to the refrigerator before installation. Failure to do so could result in serious injury or death.
- Do not put hands, feet or other objects into the air vents or bottom of the refrigerator. You may be injured or receive an electrical shock.
- Be careful when handling the hinge and stopper. You may be injured.
- Remove food and bins before detaching the doors and drawers.

Tools Needed

- 10 mm or 3/8 inch socket wrench.
- No. 2 Phillips head screwdriver.
- Flat-head screwdriver.
- Adjustable wrench.

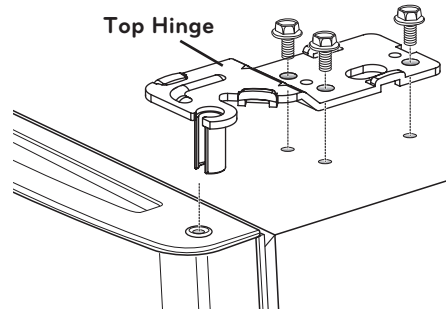
Removing the Freezer Door

1. Remove the top-hinge cover using a Phillips screwdriver.

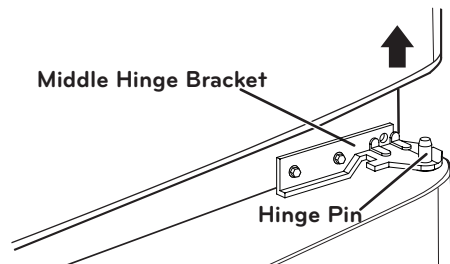


NOTE: Place the top hinge cover on the cabinet and make sure not to damage the wires assembled to it.

2. Remove the three bolts with either a 10 mm or 3/8 in. socket wrench, and lift off the top hinge. Set the parts aside.

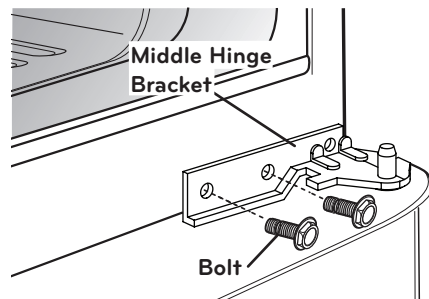


3. Carefully lift up the freezer door from the middle hinge bracket. Place the door on a non-scratching surface.

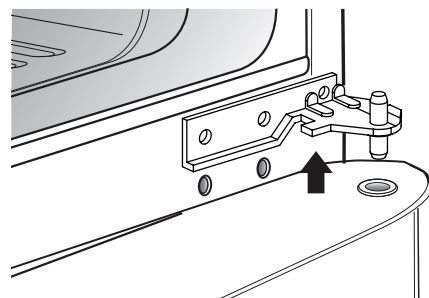


Removing the Refrigerator Door

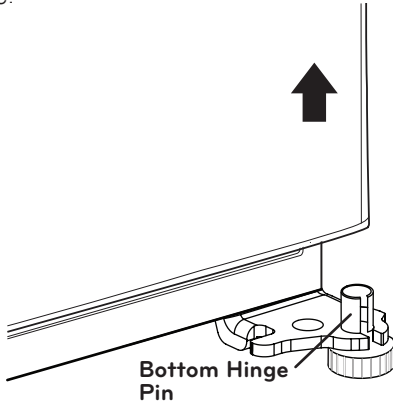
1. Loosen and remove the two bolts with the socket wrench.



2. Remove the middle hinge bracket.

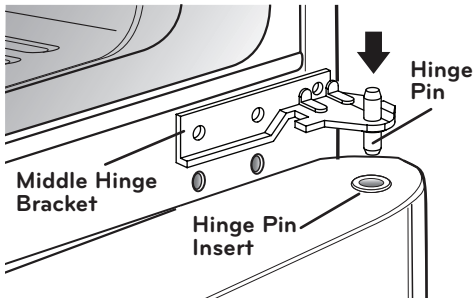


- Carefully lift up the refrigerator door from the bottom hinge pin. Place it on a non-scratching surface.

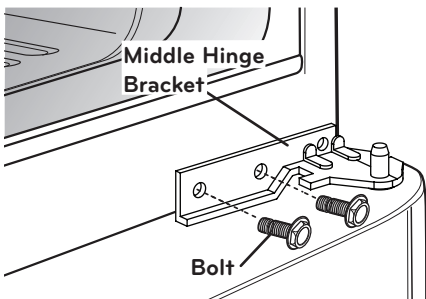


Assembling the Refrigerator Door

- Lower the refrigerator door onto the bottom hinge pin.
- Place the hinge pin of the middle hinge bracket inside of the hinge pin insert on top of the door. Hold the door in place and line the middle hinge bracket with the holes in the refrigerator housing.

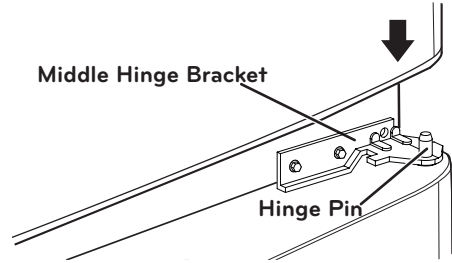


- Insert and tighten the two bolts with the socket wrench to refasten the middle hinge bracket to the refrigerator housing.

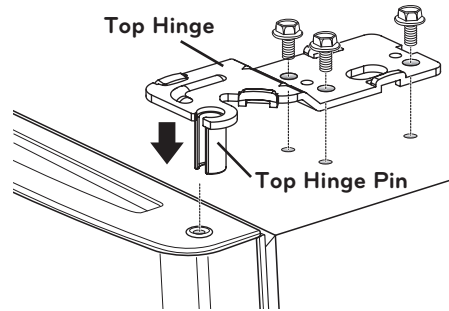


Assembling the Freezer Door

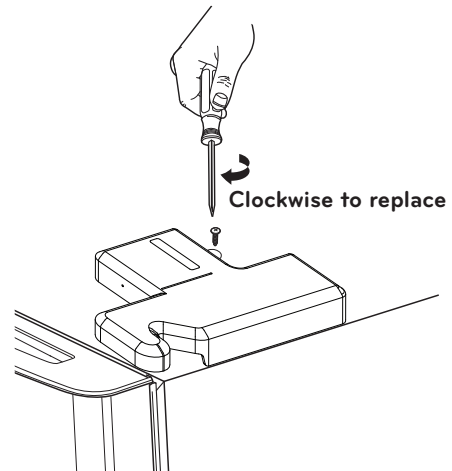
- Set the freezer door onto the middle hinge pin.



- Place the top hinge pin in the top of the freezer door and line up the upper hinge with the holes on top of the refrigerator. Use the three bolts to replace the hinge.



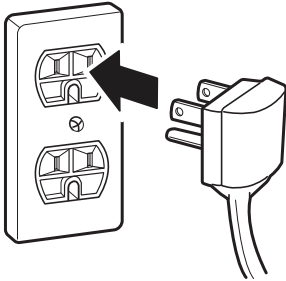
- Carefully place the top hinge cover back into place over the hinge and use the screw to replace it.



NOTE: Before place the top hinge cover make sure that all wires are not being pressed by the cover hinge.

Turning on the Power

1. Plug in the refrigerator.



NOTE

Having someone push backward against the top of the refrigerator takes some weight off the leveling legs. This makes it easier to adjust the legs.

2. Open both doors again and check to make sure that they close easily. If the doors do not close easily, tilt the refrigerator slightly more to the rear by turning both leveling legs counterclockwise. It may take several more turns, and you should turn both leveling legs the same amount.

CAUTION

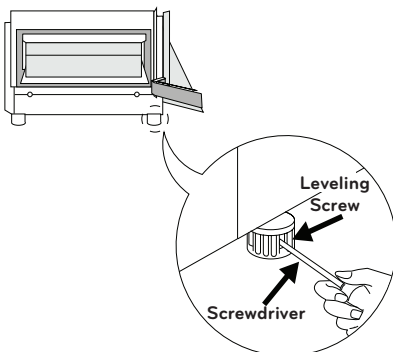
- Connect to a rated power outlet.
- Have a certified electrician check the wall outlet and wiring for proper grounding.
- Do not damage or cut off the ground terminal of the power plug.

Leveling

After installing, plug the refrigerator's power cord into a 3-prong grounded outlet and push the refrigerator into the final position.

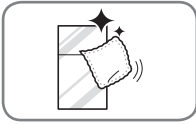
Your refrigerator has two front leveling legs (one on the right side and one on the left). Adjust the legs to alter the tilt from front-to-front or side-to-side. If the refrigerator seems unsteady, or you want the doors to close more easily, adjust the refrigerator's tilt using the instructions below:

1. Turn the leveling legs by inserting a flat blade screwdriver in the holes located in the leveling screws. Turn the leg clockwise (↻) to raise that side of the refrigerator or counterclockwise (↺) to lower it. It may take several turns of the leveling leg to adjust the tilt of the refrigerator.



OPERATION

Before use



Clean the refrigerator.

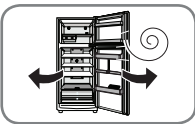
Clean your refrigerator thoroughly and wipe off all dust that accumulated during shipping.

! CAUTION

- Do not scratch the refrigerator with a sharp object or use a detergent that contains alcohol, a flammable liquid or an abrasive when removing any tape or adhesive from the refrigerator.
- Do not peel off the model or serial number label or the technical information on the rear surface of the refrigerator.

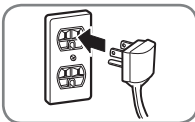
! NOTE

Remove adhesive residue by wiping it off with your thumb or dish detergent.



Open refrigerator doors to ventilate the interior.

The inside of the refrigerator may smell like plastic at first. Remove any adhesive tape from inside the refrigerator and open the refrigerator doors for ventilation.



Connect the power supply.

- Check if the power supply is connected before use.
- Read the "Turning On The Power" section.

Wait for the refrigerator to cool.

Allow your refrigerator to run for at least two to three hours before putting food in it. Check the flow of cold air in the freezer compartment to ensure proper cooling.

! CAUTION

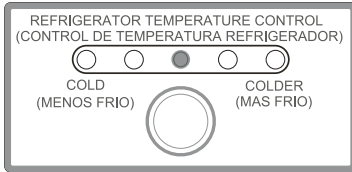
Putting food in the refrigerator before it has cooled could cause the food to spoil, or a bad odor could remain inside the refrigerator.

The refrigerator makes a loud noise after initial operation.

This is normal. The volume will decrease as the temperature lowers.

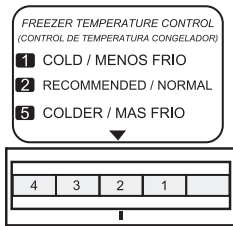
Control Panel

Control Panel Features



Refrigerator Control Panel

Controls the temperature of the refrigerator compartment. Press the button to the desired setting (from 1 to 5).



Freezer Control Panel

Controls the flow of cold air from the freezer into the refrigerator. Change the control by gently sliding it. The arrow indicates the setting selected (from 1 to 5).

Adjust the temperature controls depending on the amount of stored food, using the suggested settings below:

Amount of Stored Food			
Control of:	Large Amount	Regular Amount	Small Amount
Freezer	<p>Set to 2</p>	<p>Set to 2</p>	<p>Set to 1</p>
Refrigerator	<p>Press until the fifth light is on</p>	<p>Press until the third light is on</p>	<p>Press until the first light is on</p>

NOTE

Keep the temperature controls clear of food packages, which might knock into them and change the temperature settings.

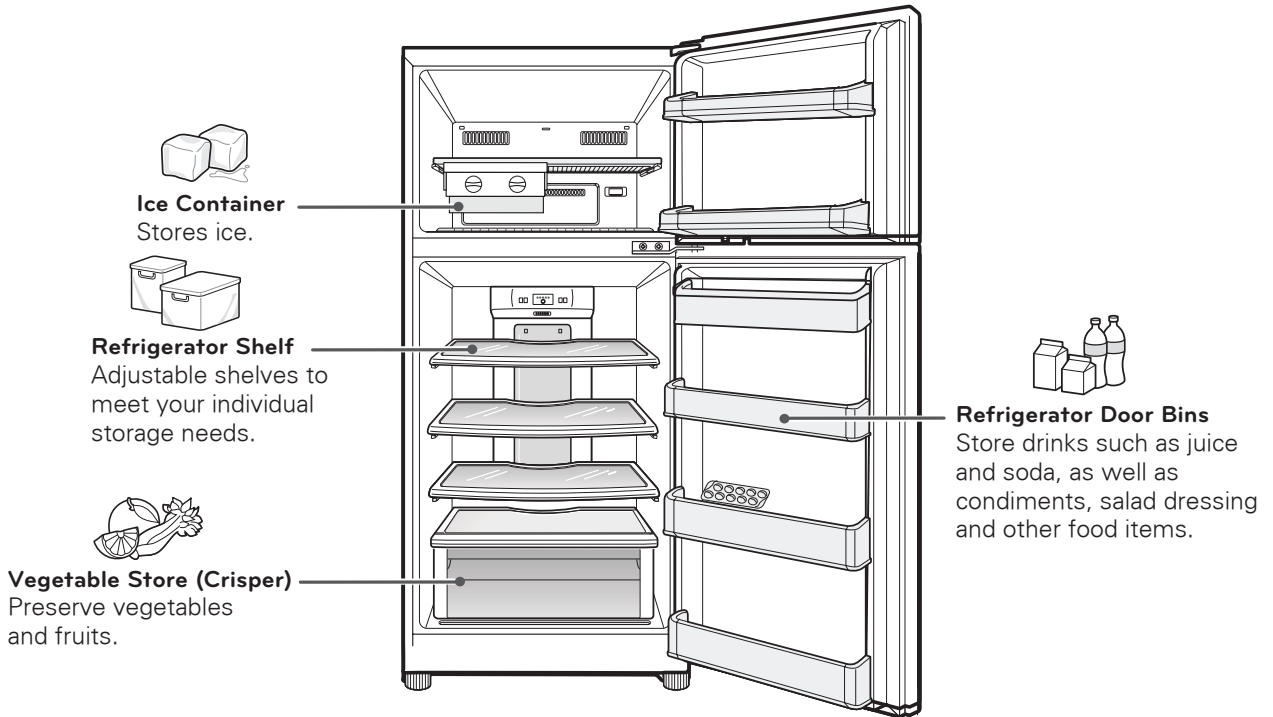
NOTE

Setting the freezer temperature control to 5 may result in a warmer than expected refrigerator compartment, especially on a hot day or if the refrigerator is very full.

Storing Food

Food Preservation Location

Each compartment inside the refrigerator is designed to store different types of food. Store your food in the optimal space to enjoy the freshest taste.



CAUTION

- Do not store food with high moisture content towards the top of the refrigerator. The moisture could come in direct contact with the cold air and freeze.
- Wash food before storing it in the refrigerator. If necessary, rinse and thoroughly pat dry vegetables and fruit to remove obvious soil, juice, or blemished areas, and wipe down food packaging to prevent adjacent foods from being contaminated.
- If the refrigerator is kept in a hot and humid place, frequent opening of the door or storing a lot of vegetables in the refrigerator may cause condensation to form. Wipe off the condensation with a clean cloth or a paper towel.
- If the refrigerator door or freezer door is opened too often, warm air may penetrate the refrigerator and raise its temperature. This can increase the running costs of the unit.
- Do not overfill or pack items too tightly into door bins. Doing so may cause damage to the bin or personal injury if items are removed with excessive force.
- Do not store glass containers in the freezer. Contents may expand when frozen and break the container, causing risk of injury.



NOTE

- If you are leaving home for a short period of time, like a short vacation, the refrigerator should be left on. Refrigerated foods that are able to be frozen will stay preserved longer if stored in the freezer.
- If you are leaving the refrigerator turned off for an extended period of time, remove all food and unplug the power cord. Clean the interior, and leave the door open to prevent fungi from growing in the refrigerator.

Food Storage Tips

The following tips may not be applicable depending on the model.

Wrap or store food in the refrigerator in airtight and moisture-proof material unless otherwise noted. This prevents food odor and taste transfer throughout the refrigerator. For dated products, check date code to ensure freshness.

Food	How To
Butter or Margarine	Keep opened butter in a covered dish or closed compartment. When storing an extra supply, wrap in a freezer packaging and freeze.
Cheese	Store in the original wrapping until you are ready to use it. Once opened, rewrap tightly in plastic wrap or aluminum foil.
Milk	Wipe milk cartons. For coldest milk, place containers on an interior shelf.
Eggs	Store in original carton on interior shelf, not on door bin.
Fruit	Do not wash or hull the fruit until it is ready to be used. Sort and keep fruit in its original container, in a crisper, or store in a completely closed paper bag on a refrigerator shelf.
Leafy Vegetables	Remove store wrapping and trim or tear off bruised and discolored areas. Wash in cold water and drain. Place in plastic bag or plastic container and store in crisper.
Vegetables with skin (carrots, peppers)	Place in plastic bags or plastic container and store in crisper.
Fish	Store fresh fish and shellfish in the freezer section if they are not being consumed the same day of purchase. It is recommended to consume fresh fish and shellfish the same day purchased.
Leftovers	Cover leftovers with plastic wrap or aluminum foil, or store in plastic containers with tight lids.

Storing Frozen Food

NOTE

Check a freezer guide or a reliable cookbook for further information about preparing food for freezing or food storage times.

Freezing

Your freezer will not quick-freeze a large quantity of food. Do not put more unfrozen food into the freezer than will freeze within 24 hours [no more than 2 lbs (0,9 kg) to 3 lbs (1,3 kg) of food per cubic foot of freezer space]. Leave enough space in the freezer for air to circulate around packages. Be careful to leave enough room at the front so the door can close tightly.

Storage times will vary according to the quality and type of food, the type of packaging or wrap used (how airtight and moisture-proof) and the storage temperature. Ice crystals inside a sealed package are normal. This simply means that moisture in the food and air inside the package have condensed, creating ice crystals.

NOTE

Allow hot foods to cool at room temperature for 30 minutes, then package and freeze. Cooling hot foods before freezing saves energy.

Packaging

Successful freezing depends on correct packaging. When you close and seal the package, it must not allow air or moisture in or out. If it does, you could have food odor and taste transfer throughout the refrigerator and could also dry out frozen food.

Packaging Recommendations:

- Rigid plastic containers with tight-fitting lids.
- Straight-sided canning/freezing jars.
- Heavy-duty aluminum foil.
- Plastic-coated paper.
- Non-permeable plastic wraps.
- Specified freezer-grade self-sealing plastic bags.

Follow package or container instructions for proper freezing methods.

Do not use:

- Bread wrappers.
- Non-polyethylene plastic containers.
- Containers without tight lids.
- Wax paper or wax-coated freezer wrap.
- Thin, semi-permeable wrap.

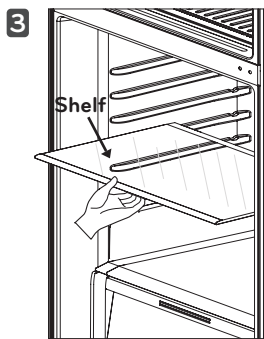
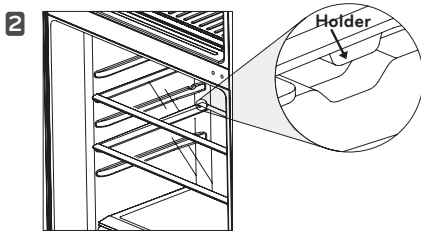
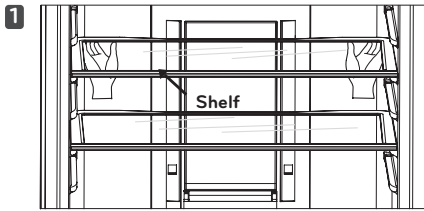
Adjusting the Refrigerator Shelves

The shelves in your refrigerator are adjustable to meet your individual storage needs.

Adjusting the shelves to fit items of different heights will make finding the exact item you want easier. Doing so will also reduce the amount of time the refrigerator door is open which will save energy.

Removing the shelf

1. Lift the back of the shelf from below.
2. Use enough force to lift the shelf and release it from the holders.
3. Slide the shelf forward to remove it completely.



CAUTION

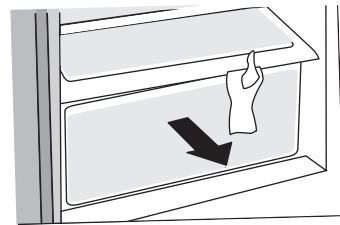
- Do not clean glass shelves with warm water while they are cold. Shelves may break if they're exposed to sudden temperature changes or impact.
- Glass shelves are heavy. Use special care when removing them.

Humidity Controlled Crisper

The crispers provide fresher tasting fruit and vegetables inside the drawer.

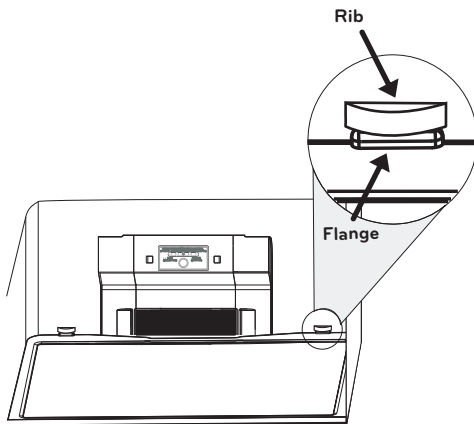
Removing/Replacing the Crisper:

1. To remove the crisper, pull it out to full extension, lift the front, and pull straight out.
2. To replace the crisper, slightly tilt up the front, insert the drawer into the frame, and push it back into place.



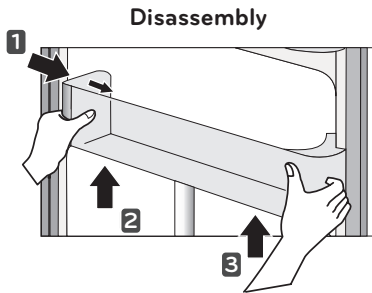
Assembling the Shelf

1. Slide shelf into rails until it stops.
2. Gently push down on back of shelf to tuck flanges under ribs on rear cabinet wall.
3. Make sure flanges are tucked completely under ribs to assure stability of shelf.

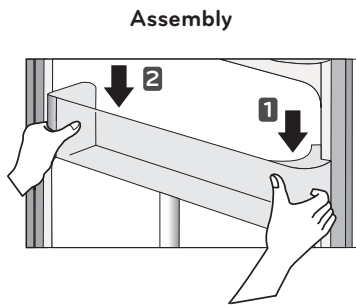


Assembling/Disassembling Door Bin

To **disassemble**, push in on the left side **1** and lift up **2**, then lift up the right side to remove the bin **3**.



To **assemble**, slide the right side of the bin down along the guide on the door **1**, then slide the left side down until the bin clicks into place **2**.

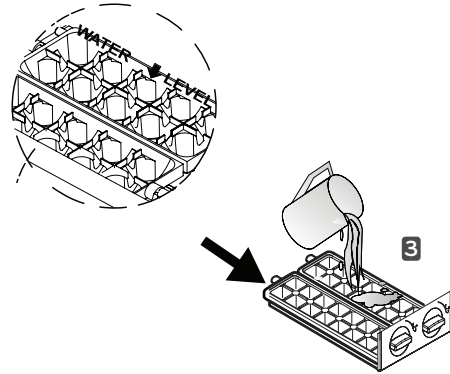
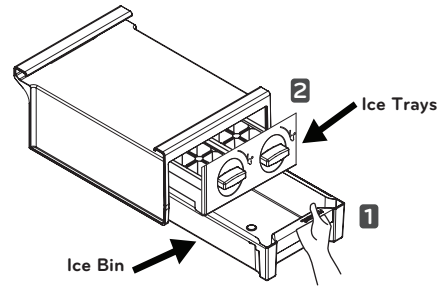


CAUTION

- Do not apply excessive force while detaching or assembling the storage bins.
- Do not use the dishwasher to clean the storage bins and shelves.
- Regularly detach and wash the bins and shelves, they can become easily contaminated by the food.

Icemaker

1. Ice bin must be removed in order to remove ice trays.
2. Once ice bin is removed, pull out ice trays.
3. Fill ice trays to the indicated level.



4. Place ice bin and ice trays back in the icemaker and wait for ice cubes to freeze.
5. Twist knobs clockwise to move ice cubes into ice bin.
6. Icemaker can be moved from one side to the other to suit individual storage needs.

MAINTENANCE

Cleaning

- Both the refrigerator and freezer sections defrost automatically; however clean both sections about once a month to prevent odors.
- Wipe up spills immediately.
- Always unplug the refrigerator before cleaning.

General Cleaning Tips

- Unplug refrigerator or disconnect power.
- Remove all removable parts, such as shelves, crispers, etc.
- Use a clean sponge or soft cloth and a mild detergent in warm water. Do not use abrasive or harsh cleaners.
- Hand wash, rinse and dry all surfaces thoroughly.

Exterior

Waxing external painted metal surfaces helps provide rust protection. Do not wax plastic parts. Wax painted metal surfaces at least twice a year using appliance wax (or auto paste wax). Apply wax with a clean, soft cloth.

For products with a stainless steel exterior, use a clean sponge or soft cloth and a mild detergent in warm water. Do not use abrasive or harsh cleaners. Dry thoroughly with a soft cloth.



CAUTION

- Do not use a rough cloth or sponge when cleaning the interior and exterior of the refrigerator.
- Do not place your hand on the bottom surface of the refrigerator when opening and closing.



WARNING

Use non-flammable cleaner. Failure to do so can result in fire, explosion, or death.

Inside Walls (allow freezer to warm up so the cloth will not stick)

To help remove odors, you can wash the inside of the refrigerator with a mixture of baking soda and warm water. Mix 2 tablespoons of baking soda to 1 quart of water (26 g soda to 1 liter water). Be sure the baking soda is completely dissolved so it does not scratch the surfaces of the refrigerator.

Door Liners and Gaskets

Use a clean sponge or soft cloth and a mild detergent in warm water. Do not use cleaning waxes, concentrated detergents, bleaches, or cleaners containing petroleum on plastic refrigerator parts.

Plastic Parts (covers and panels)

Use a clean sponge or soft cloth and a mild detergent in warm water. Do not use glass cleaners, abrasive cleansers, or flammable fluids. These can scratch or damage the material.

Light (LED) replacement

NOTE: Do not remove the LED, it is only to be removed by a qualified technician.

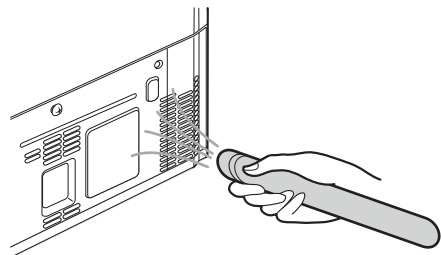


WARNING

In case of replacement, the new LED should be same specification as the original.

Condenser Coils

Use a vacuum cleaner with an attachment to clean the condenser cover and vents. Do not remove the panel covering the condenser coil area.



TROUBLESHOOTING

Review the Troubleshooting section before calling for service; doing so will save you both time and money.

Problem	Possible Causes	Solutions
Refrigerator and Freezer section are not cooling.	The refrigerator control is set to OFF (some models).	Turn the control ON. Refer to the Control Panel section for proper temperature settings.
	Refrigerator is in the defrost cycle.	During the defrost cycle, the temperature of each compartment may rise slightly. Wait 30 minutes and confirm the proper temperature has been restored once the defrost cycle has completed.
	Refrigerator was recently installed.	It may take up to 24 hours for each compartment to reach the desired temperature.
	Refrigerator was recently relocated.	If the refrigerator was stored for a long period of time or moved on its side, it is necessary for the refrigerator to stand upright for 24 hours before connecting it to power.
Cooling System runs too much.	Refrigerator is replacing an older model.	Modern refrigerators require more operating time but use less energy due to more efficient technology.
	Refrigerator was recently plugged in or power restored.	The refrigerator will take up to 24 hours to cool completely.
	The door is opened often or a large amount of food / hot food was added.	Adding food and opening the door warms the refrigerator, requiring the compressor to run longer in order to cool the refrigerator back down. In order to conserve energy, try to get everything you need out of the refrigerator at once, keep food organized so it is easy to find, and close the door as soon as the food is removed. (Refer to the Storing Food section).
	Doors are not closed completely.	Firmly push the doors shut. If they will not shut all the way, see the Doors will not close completely or pop open section in Troubleshooting.
	Refrigerator is installed in a hot location.	The compressor will run longer under warm conditions. At normal room temperatures 70 °F (21 °C) expect your compressor to run about 40% to 80% of the time. Under warmer conditions, expect it to run even more often. The refrigerator should not be operated above 110 °F (43 °C).
	Condenser / back cover is clogged.	Use a vacuum cleaner with an attachment to clean the condenser cover and vents. Do not remove the panel covering the condenser coil area.
Refrigerator or Freezer section is too warm.	Refrigerator was recently installed.	It may take up to 24 hours for each compartment to reach the desired temperature.
	The air vents are blocked. Cold air circulates from the freezer to the fresh food section and back again through air vents in the wall dividing the two sections.	Locate air vents by using your hand to sense airflow and move all packages that block vents and restrict airflow. Rearrange items to allow air to flow throughout the compartment.
	Doors are opened often or for long periods of time.	When the doors are opened often or for long periods of time, warm, humid air enters the compartment. This raises the temperature and moisture level within the compartment. To lessen the effect, reduce the frequency and duration of door openings.
	Unit is installed in a hot location.	The refrigerator should not be operated in temperatures above 110 °F (43 °C).
	A large amount of food or hot food was added to either compartment.	Adding food warms the compartment requiring the cooling system to run. Allowing hot food to cool to room temperature before putting it in the refrigerator will reduce this effect.

Problem	Possible Causes	Solutions
Refrigerator or Freezer section is too warm.	Doors not closed correctly.	See the Doors will not close correctly or pop open in Troubleshooting section.
	Temperature control is not set correctly.	If the temperature is too warm, adjust the control one increment at a time and wait for the temperature to stabilize. Refer to the Control Panel section for more information.
	Defrost cycle has recently completed.	During the defrost cycle, the temperature of each compartment may rise slightly and condensation may form on the back wall. Wait 30 minutes and confirm the proper temperature has been restored once the defrost cycle has completed.
Interior moisture buildup.	Doors are opened often or for long periods of time.	When the doors are opened often or for long periods of time, warm, humid air enters the compartment. This raises the temperature and moisture level within the compartment. To lessen the effect, reduce the frequency and duration of door openings.
	Doors are not closed correctly.	See the Doors will not close correctly or pop open in Troubleshooting section.
	Weather is humid.	Humid weather allows additional moisture to enter the compartments when the doors are opened leading to condensation or frost. Maintaining a reasonable level of humidity in the home will help to control the amount of moisture that can enter the compartments.
	Defrost cycle recently completed.	During the defrost cycle, the temperature of each compartment may raise slightly and condensation may form on the back wall. Wait 30 minutes and confirm that the proper temperature has been restored once the defrost cycle has completed.
	Food is not packaged correctly.	Food stored uncovered or unwrapped, and damp containers can lead to moisture accumulation within each compartment. Wipe all containers dry and store food in sealed packaging to prevent condensation and frost.
Food is freezing in the refrigerator compartment.	Food with high water content was placed near an air vent.	Rearrange items with high water content away from air vents.
	Refrigerator temperature control is set incorrectly.	If the temperature is too cold, adjust the control one increment at a time and wait for the temperature to stabilize. Refer to the Control Panel section for more information.
	Refrigerator is installed in a cold location.	When the refrigerator is operated in temperatures below that 41 °F (5 °C), food can freeze inside the refrigerator compartment. The refrigerator should not be operated in temperatures below 55 °F (13 °C).
Frost or ice crystals form on frozen food (outside of package).	Door is opened frequently or for long periods of time.	When the doors are opened often or for long periods of time, warm, humid air enters the compartment. This raises the temperature and moisture level within the compartment. Increased moisture will lead to frost and condensation. To lessen the effect, reduce the frequency and duration of door openings.
	Door is not closing properly.	See the Doors will not close correctly or pop open in Troubleshooting section.
Refrigerator or Freezer section is too cold.	Incorrect temperature control settings.	If the temperature is too cold, adjust the control one increment at a time and wait for the temperature to stabilize. Refer to the Control Panel section for more information.

Problem	Possible Causes	Solutions
Frost or ice crystals on frozen food (inside of sealed package).	Condensation from food with a high water content has frozen inside of the food package.	This is normal for food items with a high water content.
	Food has been left in the freezer for a long period of time.	Do not store food items with high water content in the freezer for a long period of time.
Ice has bad taste or odor.	The food has not been stored properly in either compartment.	Rewrap the food. Odors may migrate to the ice if food is not wrapped properly.
	The interior of the refrigerator needs to be cleaned.	See the Maintenance section for more information.
	The ice storage bin needs to be cleaned.	Empty and wash the bin (discard old cubes). Make sure that the bin is completely dry before reinstalling it.
Doors will not close correctly or pop open.	Food packages are blocking the door open.	Rearrange food containers to clear the door and door shelves.
	Ice bin, crisper cover, pans, shelves, door bins, or baskets are out of position.	Push bins all the way in and put crisper cover, pans, shelves and baskets into their correct positions. See Operation section for more information.
	Refrigerator is not leveled properly.	See Leveling in the Installation section to level refrigerator.
Doors are difficult to open.	The gaskets are dirty or sticky.	Clean the gaskets and the surfaces that they touch. Rub a thin coat of appliance polish or kitchen wax on the gaskets after cleaning.
	Door was recently closed.	When you open the door, warmer air enters refrigerator. As the warm air cools, it can create a vacuum. If the door is hard to open, wait one minute to allow the air pressure to equalize, then see if it opens more easily.
Refrigerator wobbles or seems unstable.	Leveling legs are not adjusted properly.	Refer to the Leveling section.
	Floor is not level.	It may be necessary to add shims under the leveling legs or rollers to complete installation.
Lights do not work.	LED interior lighting failure.	The refrigerator compartment lamp is LED interior lighting, and service should be performed by a qualified technician. Refer to the Light (LED) Replacement section.
The interior of the refrigerator is covered with dust or soot.	The refrigerator is located near a fire source, such as a fireplace, chimney, or candle.	Make sure that the refrigerator is not located near a fire source, such as a fireplace, chimney or candle.
Clicking	The defrost control will click when the automatic defrost cycle begins and ends. The thermostat control (or refrigerator control on some models) will also click when cycling on and off.	Normal Operation.
Rattling	Rattling noises may come from the flow of refrigerant or items stored on top of or around the refrigerator.	Normal Operation.
	Refrigerator is not resting solidly on the floor.	Floor is weak or uneven or leveling legs need to be adjusted. See the Leveling section.

Problem	Possible Causes	Solutions
Whooshing	Evaporator fan motor is circulating air through the refrigerator and freezer compartments.	Normal Operation.
	Air is being forced over the condenser by the condenser fan.	Normal Operation.
Gurgling	Refrigerant flowing through the cooling system.	Normal Operation.
Popping	Contraction and expansion of the inside walls due to changes in temperature.	Normal Operation.
Sizzling	Water dripping on the defrost heater during a defrost cycle.	Normal Operation.
Vibrating	If the side or back of the refrigerator is touching a cabinet or wall, some of the normal vibrations may make an audible sound.	To eliminate the noise, make sure that the sides and back cannot vibrate against any wall or cabinet.
Dripping	Water running into the drain pan during the defrost cycle.	Normal Operation.
Pulsating or High-Pitched Sound	Your refrigerator is designed to run more efficiently to keep your food items at the desired temperature. The high efficiency compressor may cause your new refrigerator to run longer than your old one, but it is still more energy efficient than previous models. While the refrigerator is running, it is normal to hear a pulsating or high-pitched sound.	Normal Operation.

SMART DIAGNOSIS™



Should you experience any problems with your refrigerator, it has the capability of transmitting data via your telephone to the LG service center. This gives you the capability of speaking directly to our trained specialists. The specialist records the data transmitted from your machine and uses it to analyze the issue, providing a fast and effective diagnosis.

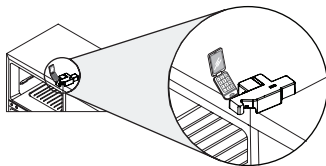
If you experience problems with your refrigerator, call 1-800-243-0000 in USA (1-888-542-2623 in Canada). Only use this feature when is instructed to do so by the LG call center agent. The transmission sounds that you will hear are normal and sound similar to a fax machine.

Smart Diagnosis™ cannot be activated unless your refrigerator is connected to power. If your refrigerator is unable to turn on, then troubleshooting must be done without using Smart Diagnosis™.

Using Smart Diagnosis™

First, call 1-800-243-0000 in USA (1-888-542-2623 in Canada). Only use the Smart Diagnosis™ feature when is instructed to do so by the LG call center agent.

1. Open and close the refrigerator door once. Then open the refrigerator door 5 times within 8 seconds to activate the SMART DIAGNOSIS™ feature.
2. Immediately place the telephone near to the speaker placed in the top right, confirm that the microphone is towards the speaker, then 4 short tones will be heard and the speaker will emit a sound no longer than 8 seconds.



3. Keep the phone in place until the tone transmission has finished. Once the data transmission is completed and the tones have stopped, resume your conversation with the specialist, who will then be able to assist you in using the information transmitted for analysis.

! NOTE

- For best results, do not move the phone while the tones are being transmitted.
- If the call center agent is not able to get an accurate recording of the data, you may be asked to try again.
- Call quality differences by region may affect the function.
- Use the home telephone for better communication performance, resulting in better service.
- Bad call quality may result in poor data transmission from your phone to the machine, which could cause Smart Diagnosis™ to malfunction.

**LG ELECTRONICS U.S.A., INC.
LG REFRIGERATOR LIMITED WARRANTY - U.S.A.**

Should your LG Refrigerator ("Product") fail due to a defect in materials or workmanship under normal home use, during the warranty period set forth below, LG will at its option repair or replace the product. This limited warranty is valid only to the original retail purchaser of the product and applies only when purchased and used within the United States including U.S. Territories. Proof of original retail purchase is required to obtain warranty service under this limited warranty.

WARRANTY PERIOD			
Refrigerator	Sealed System (Condenser, Dryer, Connecting Tube, Refrigerant and Evaporator)		Inverter Compressor
One (1) year from the date of original retail purchase.	One (1) year from the date of original retail purchase.	Seven (7) years from the date of original retail purchase.	Ten (10) years from the date of original retail purchase.
Parts and Labor (internal/functional parts only)	Parts and Labor	Parts only (Consumer will be charged for labor)	Part only (Consumer will be charged for labor)

Noises associated with normal operation and failure to follow instructions found in the use and care and installation guides or operating the unit in an unsuitable environment will not be covered under this warranty.

- ▶ Replacement products and parts are warranted for the remaining portion of the original warranty period or ninety (90) days, whichever is greater.
 - ▶ Replacement products and parts may be new or remanufactured.
- THIS WARRANTY IS IN LIEU OF ANY OTHER WARRANTY, EXPRESS OR IMPLIED, INCLUDING WITHOUT LIMITATION, ANY WARRANTY OF MERCHANTABILITY OR FITNESS FOR A PARTICULAR PURPOSE. TO THE EXTENT ANY IMPLIED WARRANTY IS REQUIRED BY LAW, IT IS LIMITED IN DURATION TO THE EXPRESS WARRANTY PERIOD ABOVE. NEITHER THE MANUFACTURER NOR ITS U.S. DISTRIBUTOR SHALL BE LIABLE FOR ANY INCIDENTAL, CONSEQUENTIAL, INDIRECT, SPECIAL, OR PUNITIVE DAMAGES OF ANY NATURE, INCLUDING WITHOUT LIMITATION, LOST REVENUES OR PROFITS, OR ANY OTHER DAMAGE WHETHER BASED IN CONTRACT, TORT, OR OTHERWISE. Some states do not allow the exclusion or limitation of incidental or consequential damages or limitations on how long an implied warranty lasts, so the above exclusion or limitation may not apply to you. This warranty gives you specific legal rights and you may also have other rights that vary from state to state.**

THIS LIMITED WARRANTY DOES NOT COVER:

1. Service trips to deliver, pick up, install, or repair the product; instruct the customer on operation of the product; repair or replace fuses or correct wiring or plumbing, or correction of unauthorized repairs/ installation.
2. Failure of product to perform during power failures and interruptions or inadequate electrical service.
3. Damage caused by leaky or broken water pipes, frozen water pipes, restricted drain lines, inadequate or interrupted water supply or inadequate supply of air.
4. Damage resulting from operating the product in a corrosive atmosphere or contrary to the instructions outlined in the product owner's manual.
5. Damage to the product caused by accidents, pests and vermin, lightning, wind, fire, floods, or acts of God.
6. Damage resulting from misuse, abuse, improper installation, repair, or maintenance. Improper repair includes use of parts not approved or specified by LG.
7. Damage or failure caused by unauthorized modification or alteration, or if it is used for other than the intended purpose, or any water leakage where the unit was not properly installed.
8. Damage or failure caused by incorrect electrical current, voltage, or plumbing codes, commercial or industrial use, or use of accessories, components, or consumable cleaning products that are not approved by LG.
9. Damage caused by transportation and handling, including scratches, dents, chips, and/or other damage to the finish of your product, unless such damage results from defects in materials or workmanship and is reported within one (1) week of delivery.
10. Damage or missing items to any display, open box, discounted, or refurbished product.
11. Products with original serial numbers that have been removed, altered, or can not be readily determined. Model and Serial numbers, along with original retail sales receipt, are required for warranty validation.
12. Increases in utility costs and additional utility expenses.
13. Replacement of light bulbs, filters, or any consumable parts.
14. Repairs when your product is used in other than normal and usual household use (e.g. commercial use, offices, and recreational facilities) or contrary to the instructions outlined in the product owner's manual.
15. Costs associated with removal of your product from your home for repairs.
16. The removal and reinstallation of the product if it is installed in an inaccessible location or is not installed in accordance with published installation instructions, including LG's owner's and installation manuals.
17. Shelves, door bins, drawers, handles, accessories, and other parts besides those that were originally included with this particular model.

The cost of repair or replacement under these excluded circumstances shall be borne by the consumer.

For complete warranty details and customer assistance, please call or visit our website:
 Call 1-800-243-0000 (24 hours a day, 365 days a year) and select the appropriate option from the menu, or visit our website at www.lg.com
 Or by mail: LG Customer Information Center:
 P. O. Box 240007, 201 James Record Road Huntsville, Alabama 35813
 ATTN: CIC

Write your warranty information below:

Product Registration Information:

Model:
 Serial Number:
 Date of Purchase:

**LG ELECTRONICS CANADA, INC.
LG REFRIGERATOR LIMITED WARRANTY - Canada**

WARRANTY: Should your LG Refrigerator ("Product") fail due to a defect in material or workmanship under normal home use during the warranty period set forth below, LG Canada will at its option repair or replace the Product upon receipt of proof of original retail purchase.

This warranty is valid only to the original retail purchaser of the product and applies only to a Product distributed in Canada by LG Canada or an authorized Canadian distributor thereof. The warranty only applies to Products located and used within Canada.

WARRANTY PERIOD: (Note: If the original date of purchase can not be verified, the warranty will begin sixty (60) days from the date of manufacture)			
Refrigerator/Freezer	Sealed System (Condenser, Dryer, Connecting Tube, Refrigerant and Evaporator)		Inverter Compressor
One (1) year from the date of original retail purchase.	One (1) year from the date of original retail purchase.	Seven (7) years from the date of original retail purchase.	Ten (10) years from the date of original retail purchase.
Parts and Labor (internal/functional parts only)	Parts and Labor	Parts only (Consumer will be charged for labor)	Part only (Consumer will be charged for labor)

Noises associated with normal operation and failure to follow instructions found in the use and care and installation guides or operating the unit in an unsuitable environment will not be covered under this warranty.

- ▶ Replacement products and parts are warranted for the remaining portion of the original warranty period or ninety (90) days, whichever is greater.
- ▶ Replacement products and parts may be new or remanufactured.
- ▶ LG Authorized Service Center warranties their repair work for thirty (30) days.

LG CANADA'S SOLE LIABILITY IS LIMITED TO THE WARRANTY SET OUT ABOVE. EXCEPT AS EXPRESSLY PROVIDED ABOVE, LG CANADA MAKES NO AND HEREBY DISCLAIMS ALL OTHER WARRANTIES AND CONDITIONS RESPECTING THE PRODUCT, WHETHER EXPRESS OR IMPLIED, INCLUDING, BUT NOT LIMITED TO, ANY IMPLIED WARRANTY OR CONDITION OF MERCHANTABILITY OR FITNESS FOR A PARTICULAR PURPOSE, AND NO REPRESENTATIONS SHALL BE BINDING ON LG CANADA. LG CANADA DOES NOT AUTHORIZE ANY PERSON TO CREATE OR ASSUME FOR IT ANY OTHER WARRANTY OBLIGATION OR LIABILITY IN CONNECTION WITH THE PRODUCT. TO THE EXTENT THAT ANY WARRANTY OR CONDITION IS IMPLIED BY LAW, IT IS LIMITED TO THE EXPRESS WARRANTY PERIOD ABOVE. LG CANADA, THE MANUFACTURER OR DISTRIBUTOR SHALL NOT BE LIABLE FOR ANY INCIDENTAL, CONSEQUENTIAL, SPECIAL, DIRECT OR INDIRECT DAMAGES, LOSS OF GOODWILL, LOST PROFITS, PUNITIVE OR EXEMPLARY DAMAGES OR ANY OTHER DAMAGE, WHETHER ARISING DIRECTLY OR INDIRECTLY FROM ANY CONTRACTUAL BREACH, FUNDAMENTAL OR OTHERWISE, OR FROM ANY ACTS OR OMISSIONS, TORT, OR OTHERWISE. This warranty gives you specific legal rights. You may have other rights which may vary from province to province depending on applicable provincial laws. Any term of this warranty that negates or varies any implied condition or warranty under provincial law is severable where it conflicts with provincial law without affecting the remainder of this warranty's terms.

THIS LIMITED WARRANTY DOES NOT COVER:

1. Service trips to deliver, pick up, install, or repair the product; instruct the customer on operation of the product; repair or replace fuses or correct wiring or plumbing, or correction of unauthorized repairs/installation.
2. Failure of product to perform during power failures and interruptions or inadequate electrical service.
3. Damage caused by leaky or broken water pipes, frozen water pipes, restricted drain lines, inadequate or interrupted water supply or inadequate supply of air.
4. Damage resulting from operating the product in a corrosive atmosphere or contrary to the instructions outlined in the product owner's manual.
5. Damage to the product caused by accidents, pests and vermin, lightning, wind, fire, floods, or acts of God.
6. Damage resulting from misuse, abuse, improper installation, repair, or maintenance. Improper repair includes use of parts not approved or specified by LG.
7. Damage or failure caused by unauthorized modification or alteration, or if it is used for other than the intended purpose, or any water leakage where the unit was not properly installed.
8. Damage or failure caused by incorrect electrical current, voltage, or plumbing codes, commercial or industrial use, or use of accessories, components, or consumable cleaning products that are not approved by LG.
9. Damage caused by transportation and handling, including scratches, dents, chips, and/or other damage to the finish of your product, unless such damage results from defects in materials or workmanship and is reported within one (1) week of delivery.
10. Damage or missing items to any display, open box, discounted, or refurbished product.
11. Products with original serial numbers that have been removed, altered, or can not be readily determined. Model and Serial numbers, along with original retail sales receipt, are required for warranty validation.
12. Increases in utility costs and additional utility expenses.
13. Replacement of light bulbs, filters, or any consumable parts.
14. Repairs when your product is used in other than normal and usual household use (e.g. commercial use, offices, and recreational facilities) or contrary to the instructions outlined in the product owner's manual.
15. Costs associated with removal of your product from your home for repairs.
16. The removal and reinstallation of the product if it is installed in an inaccessible location or is not installed in accordance with published installation instructions, including LG's owner's and installation manuals.
17. Shelves, door bins, drawers, handles, accessories, and other parts besides those that were originally included with this particular model.

The cost of repair or replacement under these excluded circumstances shall be borne by the consumer.

For complete warranty details and customer assistance, please call or visit our website:
 Call 1-888-542-2623 (24 hours a day, 365 days a year) and select the appropriate option from the menu, or visit our website at www.lg.com

Write your warranty information below:

Product Registration Information:

Model: _____

Serial Number: _____

Date of Purchase: _____



ESPAÑOL

MANUAL DE USUARIO

REFRIGERADOR CON

CONGELADOR SUPERIOR

Lea cuidadosamente este manual de usuario antes de poner en funcionamiento el refrigerador, y téngalo a la mano de referencia en todo momento.

Nombre de Modelo

LTNS16121V

www.lg.com

TABLA DE CONTENIDO

30 FUNCIONES DEL PRODUCTO

31 INSTRUCCIONES IMPORTANTES DE SEGURIDAD

- 32 Instrucciones importantes de seguridad
- 33 Instrucciones importantes de seguridad

34 DESCRIPCIÓN DEL PRODUCTO

- 34 Parte Exterior del Refrigerador
- 35 Parte Interior del Refrigerador

36 INSTALACIÓN

- 36 Instrucciones Generales de Instalación
- 36 Especificaciones
- 37 Desempaque del Refrigerador
- 37 Como elegir la ubicación más adecuada
 - 37 - Tipo de Piso
 - 37 - Temperatura Ambiente
 - 37 - Como medir la distancia de separación mínima
- 38 Quitar / Ensamblar las puertas
- 39 Ensamblar la Puerta del Refrigerador
- 39 Ensamblar la Puerta del Congelador
- 40 Encendido
- 40 Nivelación

41 INSTRUCCIONES DE USO

- 41 Antes de Usar
- 42 Panel de Control
- 43 Almacenamiento de Alimentos
 - 43 - Lugar de Conservación de Alimentos
 - 44 - Sugerencias para el Almacenamiento de Alimentos
 - 44 - Almacenamiento de Alimentos Congelados
- 44 Ajuste de los Estantes
- 45 Desensamble de los estantes
- 45 Ensamble del estante
- 45 Cajón para Control de Humedad
- 46 Ensamble y Desensamble de los compartimientos de la puerta
- 46 Fábrica de Hielos

47 MANTENIMIENTO

- 47 Limpieza

48 SOLUCIÓN DE PROBLEMAS

- 49 Solución de problemas
- 50 Solución de problemas
- 51 Solución de problemas

52 SMART DIAGNOSIS^{MR}

- 52 Uso de Smart Diagnosis^{MR}

53 GARANTÍA

54 NOTAS

FUNCIONES DEL PRODUCTO

• Dependiendo del modelo, algunas de las siguientes funciones pueden no estar disponibles.



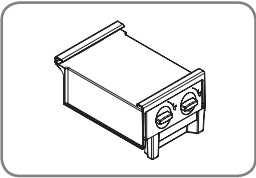
SMART DIAGNOSIS^{MR} (Diagnóstico Inteligente)

Use la función para contactar a su Centro de Servicio LG y recibir un diagnóstico preciso cuando el refrigerador no funciona correctamente o falla. Su uso es exclusivo para consultas, no la use durante el funcionamiento normal.



CAJONES CON CONTROL DE HUMEDAD

Los cajones con control de humedad están diseñados para ayudar a mantener las frutas y las verduras frescas.



FÁBRICA DE HIELOS

Para cumplir con sus necesidades de espacio su fábrica de hielos puede ser movida de un lado a otro.



ADVERTENCIA

Sólo llene con agua potable.

INSTRUCCIONES IMPORTANTES DE SEGURIDAD

LEA TODAS LAS INSTRUCCIONES ANTES DE UTILIZAR EL ELECTRODOMÉSTICO.

Este manual contiene muchos mensajes de seguridad importantes. Lea y cumpla siempre todos los mensajes de seguridad.



Este es el símbolo de alerta de seguridad. Le avisa de mensajes de seguridad que le informan de peligros de muerte o lesiones para usted o los demás, o que puedan dañar el producto.

Todos los mensajes de seguridad estarán precedidos del símbolo de alerta de seguridad y de las palabras de señal de peligro ADVERTENCIA o PRECAUCIÓN. Estas palabras significan:



ADVERTENCIA Si no respeta las instrucciones, podría morir o sufrir lesiones graves.



PRECAUCIÓN Indica una situación de peligro inminente que, si no se evita, podría producir una lesión menor o moderada, o daño al producto.



ADVERTENCIA

Para reducir el riesgo de incendio, descarga eléctrica o lesiones personales al utilizar el producto, se deben respetar una serie de precauciones básicas de seguridad, entre las que se incluyen las siguientes:

Alimentación Eléctrica

- Nunca desenchufe el refrigerador tirando del cable de alimentación. Agarre siempre el enchufe firmemente y tire del mismo para retirarlo de la toma de corriente.
- Si el cable de alimentación está dañado, deberá ser sustituido por el fabricante, su agente de servicio o personal calificado para evitar peligros. No use un cable con grietas o abrasiones sobre su extensión o en los extremos del enchufe o conector.
- No utilice una toma de corriente no certificada.
- Desenchufe el refrigerador de inmediato en caso de corte de energía o tormenta.
- Enchufe el refrigerador con el cable de alimentación ubicado hacia abajo.
- No utilizar extensiones o adaptadores (de dos terminales) sin puesta a tierra.

Instalación

- Comuníquese con un centro de servicios autorizado cuando instale o cambie de lugar el refrigerador.
- Cuando separe el refrigerador de la pared, tenga cuidado de no torcer o dañar el cable de alimentación.
- Antes de usar el producto, asegúrese de conectarlo a una toma de corriente eléctrica con conexión a tierra adecuada calificada para usar con este producto (115 V~ 60Hz, sólo CA). Es responsabilidad del usuario reemplazar una tomacorriente de 2 clavijas estándar por una tomacorriente de 3 clavijas estándar.
- No instale el refrigerador donde pueda haber peligro de que la unidad se caiga.

Uso

- NO permita que los niños escalen, se paren o se cuelguen de las puertas o de los estantes del refrigerador. Podrían dañar el refrigerador o sufrir lesiones graves.
- No cuelgue ni coloque objetos pesados en el dispensador del refrigerador (si le aplica).
- No coloque objetos pesados o peligrosos (botellas con líquido) en el refrigerador.
- No meta animales vivos dentro del refrigerador.
- No permita que los niños se metan en el refrigerador.
- En caso de una fuga de gas (propano/LP), asegúrese de ventilar adecuadamente el ambiente y póngase en contacto con un centro de servicios autorizado antes de reanudar el uso del refrigerador. No toque ni desenchufe la toma de corriente eléctrica del refrigerador.
- En caso de una pérdida de refrigerante, aleje cualquier objeto inflamable del refrigerador. Asegúrese de ventilar adecuadamente el ambiente y póngase en contacto con un centro de servicios autorizado.
- No use ni coloque sustancias inflamables (productos químicos, medicamentos, productos cosméticos, etc.) cerca del refrigerador ni los almacene dentro del mismo. No ubique el refrigerador cerca de gases inflamables.
- No guarde sustancias explosivas, tales como latas de aerosol con un propelente inflamable en este aparato.

LEA TODAS LAS INSTRUCCIONES ANTES DE UTILIZAR EL ELECTRODOMÉSTICO.

Para reducir el riesgo de incendio, descarga eléctrica o lesiones personales al utilizar el producto, se deben de respetar una serie de precauciones básicas de seguridad, entre las que se incluyen las siguientes:

- Este producto no debe ser utilizado para fines especiales, como ser para almacenar medicamentos o materiales de prueba, usar en barcos, etc.
- Desenchufe el refrigerador antes de limpiarlo o repararlo.
- No modifique ni alargue el cable de alimentación.
- No use un secador para secar el interior del refrigerador. No encienda velas para eliminar olores en el interior.
- Por su seguridad, este electrodoméstico debe estar conectado a tierra adecuadamente. Solicite a un electricista calificado que compruebe la toma de corriente y el circuito eléctrico para asegurarse de que la toma de corriente está correctamente conectada a tierra.
- No use una toma de corriente que pueda cortarse con interruptor. No utilice un cable alargador de corriente. Es responsabilidad del usuario reemplazar una toma de corriente de 2 clavijas estándar por una toma de corriente de 3 clavijas estándar.
- Bajo ninguna circunstancia corte o quite la tercera clavija (de puesta a tierra) del cable de alimentación.
- No utilice enchufes adaptadores; ni conecte el enchufe de alimentación a una extensión de toma corriente múltiple.
- Desenchufe el cable de alimentación de inmediato si escucha un ruido, huele un olor extraño o detecta humo proveniente del electrodoméstico.
- Corte la corriente eléctrica si entra agua o polvo al refrigerador. Póngase en contacto con un agente de servicios.
- No desmonte ni modifique el refrigerador.
- No ponga las manos, pies u objetos metálicos debajo ni detrás del refrigerador.
- No opere el refrigerador ni toque el cable de alimentación con las manos húmedas.
- No toque las superficies frías del compartimento del congelador con las manos húmedas o mojadas cuando el refrigerador esté en funcionamiento.
- No introduzca contenedores de vidrio, botellas de vidrio o gaseosas en el congelador, ya que pueden quebrarse.
- Este electrodoméstico no fue diseñado para ser utilizado por personas con capacidades físicas, sensoriales o mentales reducidas (incluidos los niños), o con falta de experiencia y conocimiento, a menos que lo hagan bajo la supervisión o instrucciones de uso de una persona responsable por su seguridad. Los niños deben ser supervisados para asegurar que no jueguen con el aparato.
- No vuelva a congelar alimentos congelados que se hayan descongelado completamente. Hacerlo puede causar un grave problema de salud.
- Si va a desechar su antiguo refrigerador, asegúrese que un técnico calificado se encargue de retirar el refrigerante de CFC (clorofluorocarbono) o HCFC (hidroclorofluorocarbono) para su adecuada eliminación. Si libera refrigerante de CFC o HCFC, podrá ser sujeto a una multa o pena de prisión de acuerdo a las leyes ambientales pertinentes a su país.
- Los refrigeradores desechados o abandonados son peligrosos, incluso si sólo es por unos pocos días. Cuando deseche el refrigerador, retire los empaques de las puertas o desensamble las puertas, pero deje los estantes en su lugar para que los niños no puedan meterse fácilmente dentro del refrigerador.
- Si el refrigerador está conectado a un circuito protegido por fusibles, utilice fusibles retardantes.
- Si ya no requiere del uso de esta unidad, contacte a las autoridades locales para deshacerse de este producto de forma segura ya que usa Ciclo-Pentano o Pentano como gases inflamables espumantes para el aislamiento. Los gases del material de aislamiento requieren un proceso especial de eliminación. Este producto contiene gases aislantes inflamables.
- No dañe el circuito refrigerante.

LEA TODAS LAS INSTRUCCIONES ANTES DE UTILIZAR EL ELECTRODOMÉSTICO.

Para reducir el riesgo de incendio, descarga eléctrica o lesiones personales al utilizar el producto, se deben de respetar una serie de precauciones básicas de seguridad, entre las que se incluyen las siguientes:

 **PRECAUCIÓN**
Instalación

- El refrigerador se debe instalar correctamente de acuerdo con las instrucciones para el instalador incluidas en la hoja que fue pegada al frente del refrigerador.
- Tenga cuidado al desempacar e instalar el refrigerador. Deseche inmediatamente los materiales plásticos y otros materiales de empaque fuera del alcance de los niños.
- El electrodoméstico debe ubicarse con un fácil acceso a una fuente de energía.

Uso

- Cierre la puerta con cuidado cuando haya niños alrededor.
- Mantenga los dedos lejos de los puntos de riesgo de agarre; las distancias de separación entre las puertas y los gabinetes son necesariamente pequeñas. Tenga especial cuidado al cerrar las puertas cuando haya niños cerca.
- Si almacena los alimentos de manera inadecuada, éstos podrían caerse y causar lesiones.
- No utilice aerosoles cerca del refrigerador.
- No deje artículos en la parte superior del electrodoméstico.

Mantenimiento

- No utilice detergentes fuertes tales como ceras o disolventes para limpiar el refrigerador. Límpielo con un trapo suave.
- Limpie regularmente todo objetos extraño (como polvo y agua) de las clavijas del enchufe de alimentación y de las áreas de contacto.
- No almacene, desmonte ni repare el refrigerador usted mismo.
- Quite cualquier resto de polvo o sustancia extraña de las clavijas del enchufe de alimentación.
- No use trapos húmedos o mojados para limpiar el enchufe.
- Si el refrigerador está desconectado del suministro de energía eléctrica, espere al menos cinco minutos antes de volver a enchufarlo.
- Si nota olor de un producto químico, plástico quemado o si ve humo, desenchufe el refrigerador de inmediato y póngase en contacto con su Centro de Servicios de LG Electronics.

 **ADVERTENCIA**

Este producto contiene químicos que el Estado de California sabe que causan cáncer y defectos de nacimiento u otros daños reproductivos. **Lávese las manos después de su uso.**

 **ADVERTENCIA**
No usar Dispositivos Mecánicos

No use dispositivos mecánicos u otros medios para acelerar el proceso de descongelamiento, solo aquellos que han sido recomendados por el fabricante.

 **ADVERTENCIA**
No guardar Aparatos Eléctricos

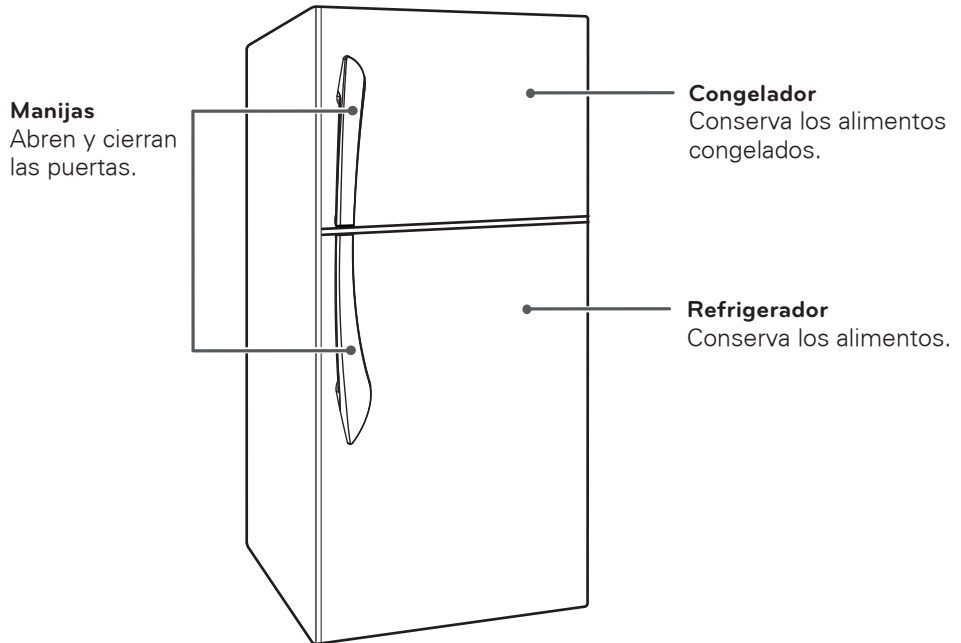
No use aparatos eléctricos en el interior del compartimento para almacenar comida, al menos que estos sean del tipo recomendado por el fabricante.

CONSERVE ESTAS INSTRUCCIONES

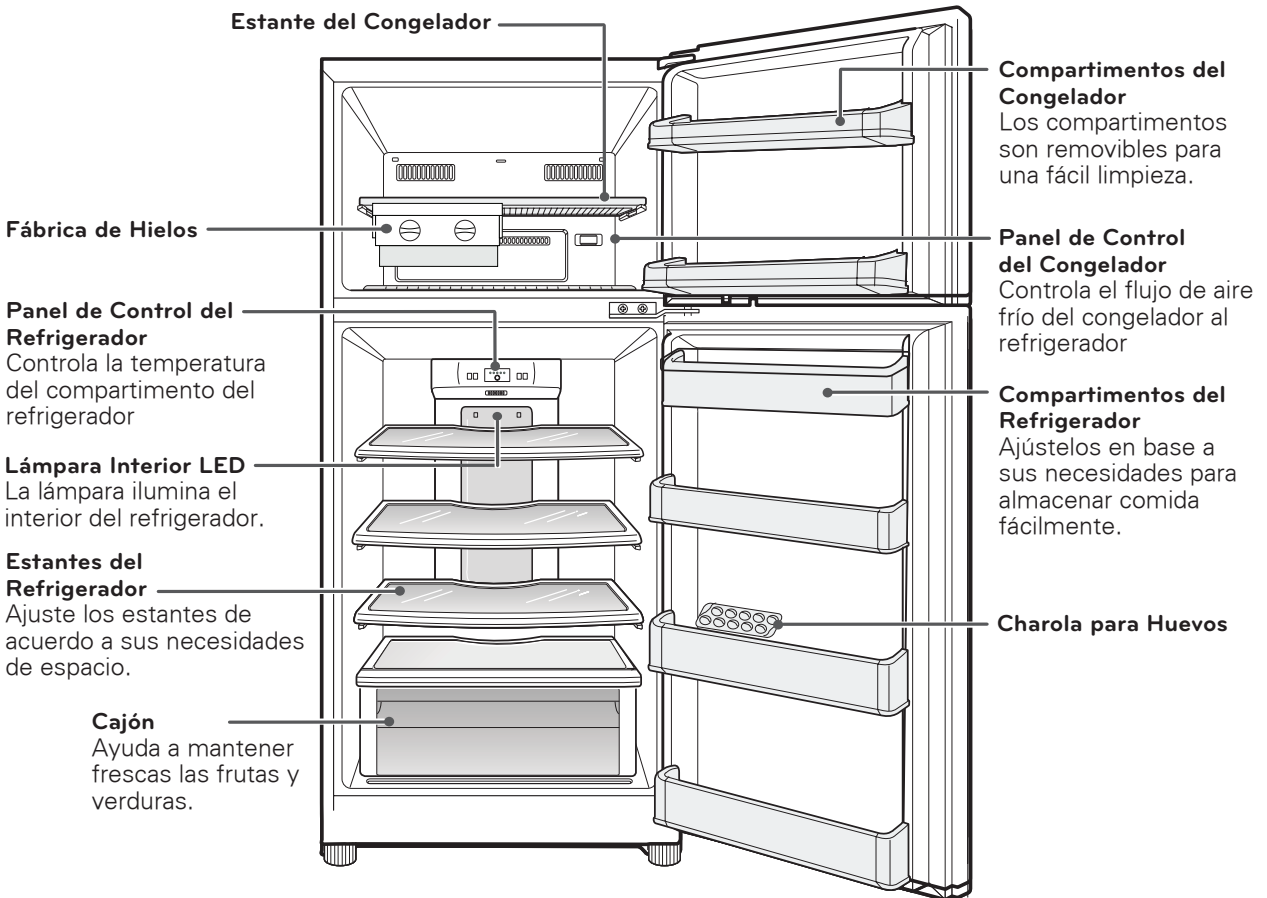
DESCRIPCIÓN DEL PRODUCTO

Use esta sección para familiarizarse con los componentes y funciones del refrigerador.

Parte Exterior del Refrigerador



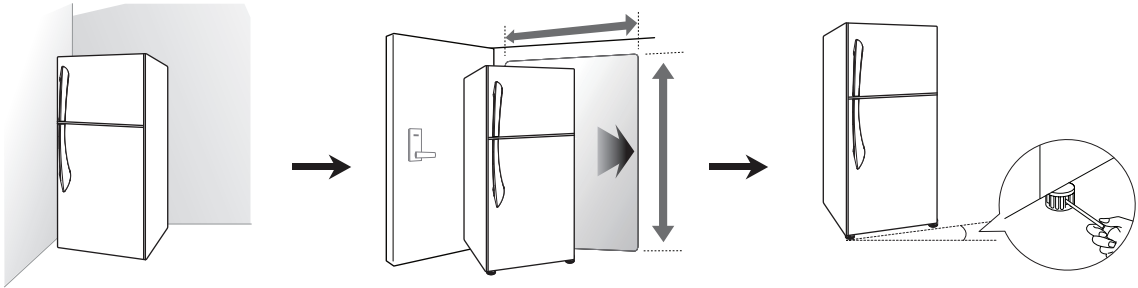
Parte Interior del Refrigerador



INSTALACIÓN

Instrucciones Generales de Instalación

Luego de comprar este producto o trasladarlo a otro lugar, lea primero las siguientes instrucciones de instalación.



1 Desempaque el refrigerador

2 Cómo elegir la ubicación más adecuada

3 Nivelación y Alineación de Puertas

Este aparato está destinado a ser usado en aplicaciones domésticas o similares, tales como:

- Áreas de personal de cocina en tiendas, oficinas y otros ambientes de trabajo; casas de campo y por clientes en hoteles, moteles y otros ambientes de tipo residencial.
- Entornos de alojamiento y desayuno de tipo hostelería y similares aplicaciones no comerciales.

Especificaciones

La apariencia y especificaciones indicadas en este manual pueden variar debido a las constantes mejoras en el producto.

Dimensiones	Ancho 31 pulgadas (787 mm)	Fondo 29 pulgadas (737 mm)	Altura 71 pulgadas (1803 mm)
Peso Neto	182,98 libras (83 kg)		

Desempaque del Refrigerador

! ADVERTENCIA

- El desplazamiento e instalación del refrigerador deben de realizarse entre dos o más personas. Si no se respeta esta advertencia, podrá sufrir lesiones en la espalda o de otro tipo.
- Su refrigerador es pesado. Al desplazarlo para su limpieza o mantenimiento, asegúrese de proteger el suelo. Siempre debe de tirar del refrigerador en línea recta cuando lo desplace. No menee ni mueva en 'zig zag' el refrigerador al tratar de desplazarlo, ya que esto puede dañar el suelo.
- Mantenga los materiales o vapores inflamables, como la gasolina, lejos del refrigerador. Si no se cumple con esto, se podrá producir una explosión, incendio o muerte.

Antes de su uso, retire la cinta adhesiva y todas las etiquetas temporales del refrigerador. No retire las etiquetas que indican advertencias, la etiqueta del modelo y del número de serie, hojas de instalación o diagrama de circuito, ubicado en la parte posterior del refrigerador.

Para retirar los restos de pegamento o cinta adhesiva, frote enérgicamente el área con el pulgar. Los residuos de pegamento o cinta adhesiva también se pueden retirar fácilmente frotando con los dedos una pequeña cantidad de jabón lavavajillas líquido sobre el adhesivo. Limpie con agua templada y seque el área.

No utilice instrumentos afilados, alcohol desinfectante, líquidos inflamables ni limpiadores abrasivos para retirar la cinta adhesiva o el pegamento. Estos productos pueden dañar la superficie del refrigerador.

Los estantes del refrigerador están instalados en la posición de transporte. Coloque los estantes de acuerdo con sus necesidades personales de almacenamiento.

Como elegir la ubicación más adecuada

- El refrigerador debe estar siempre enchufado a su toma de corriente individual conectada a tierra adecuadamente con una tensión nominal de 115V ~ 60 Hz, sólo CA, y protegida mediante fusibles de 15 A.
- Esta configuración proporciona el mejor rendimiento y, al mismo tiempo, evita la sobrecarga de la instalación eléctrica de la casa que podría provocar un peligro de incendio debido a un sobrecalentamiento de los cables. Se recomienda disponer de un circuito independiente para la exclusiva alimentación de este electrodoméstico.

! ADVERTENCIA

Para reducir el riesgo de descarga eléctrica, no instale el refrigerador en un área húmeda o mojada.

Tipo de Piso

Para evitar el ruido y la vibración, es necesario nivelar la unidad e instalarla en un suelo sólidamente construido. Si es necesario, ajuste las patas de nivelación para compensar los desniveles del suelo. La parte delantera debe estar ligeramente más elevada que la posterior para ayudar al cierre de la puerta. Las patas de nivelación se pueden girar con facilidad inclinando ligeramente el aparato. Gire las patas de nivelación hacia la izquierda para levantar la unidad, o hacia la derecha para bajarla (Consulte la sección Nivelación).

! NOTA

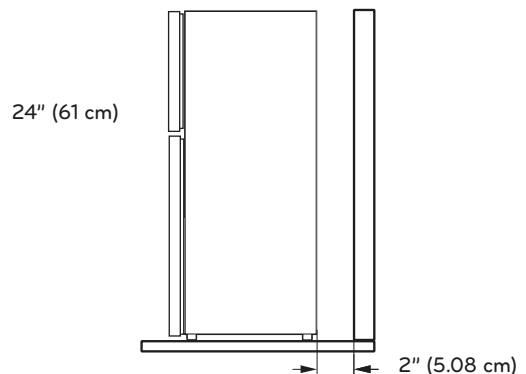
No se recomienda realizar la instalación sobre alfombra, superficies de baldosas flexibles, plataformas o estructuras con soporte inestable.

Temperatura Ambiente

Instale este electrodoméstico en una zona donde la temperatura esté entre los 13 °C (55 °F) y 43 °C (110 °F). Si la temperatura alrededor del electrodoméstico es demasiado baja o demasiado alta, la capacidad de refrigeración se verá gravemente afectada.

Como medir la Distancia de Separación Mínima

Una distancia demasiado pequeña con los elementos adyacentes puede dar como resultado una reducción de la capacidad de congelación y un aumento del consumo eléctrico. Deje al menos 61 cm (24 pulgadas) en el frente del refrigerador para abrir la puertas y al menos 5,08 cm (2 pulgadas) entre la parte posterior del refrigerador y la pared.



Quitar / Ensamblar las Puertas

Quitar las puertas es recomendado cuando se mueve el refrigerador a través de una abertura estrecha.

! ADVERTENCIA

- Si la puerta de entrada es demasiado estrecha para que el refrigerador pase, quite las puertas del refrigerador y muévelo de lado a lado a través de la puerta.
- Use la ayuda de dos o más personas para mover e instalar el refrigerador. No seguir esta instrucción puede ocasionar lesiones en la espalda u otras partes del cuerpo.
- Desconecte la fuente de energía eléctrica del refrigerador antes de la instalación. No seguir esta instrucción puede ocasionar lesiones graves o la muerte.
- No coloque sus manos, pies u otros objetos dentro de las ventilas de aire o en la parte inferior del refrigerador. Usted puede resultar herido o recibir una descarga eléctrica.
- Sea cuidadoso cuando maneje las bisagras y tapones. Usted puede resultar herido.
- Quite la comida y los contenedores antes de remover las puertas y cajones.

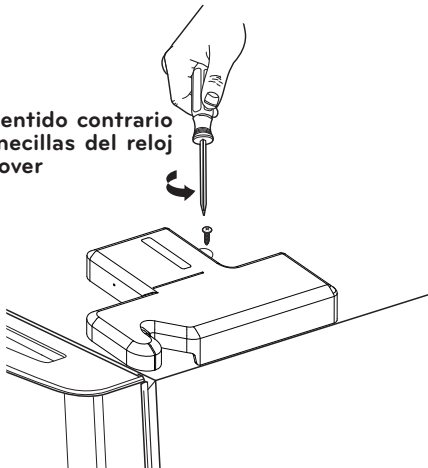
Herramientas Necesarias

- Llave tubular de cabeza hexagonal de 10 mm o 3/8 de pulgada.
- Destornillador Phillips.
- Destornillador Plano.
- Llave Inglesa ajustable.

Quitar la Puerta del Congelador

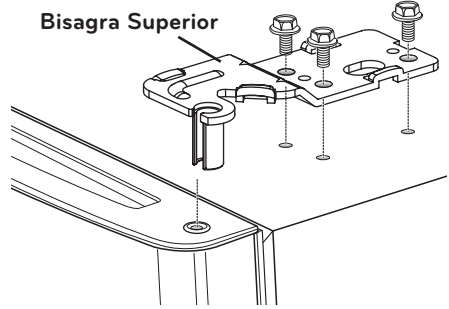
1. Remueva la cubierta de la bisagra superior usando un destornillador Phillips.

Gire en sentido contrario a las manecillas del reloj para remover

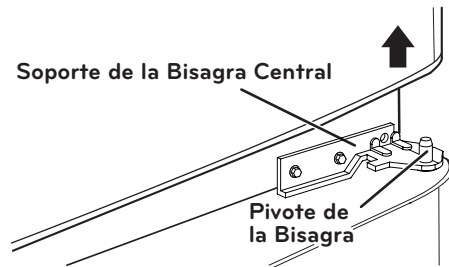


NOTA: Coloque la cubierta de la bisagra superior sobre el gabinete, asegúrese de no dañar los cables ensamblados en ella.

2. Quite los tres tornillos con la llave tubular de 10 mm o 3/8 de pulgada, levante la bisagra superior y colóquela a un lado.

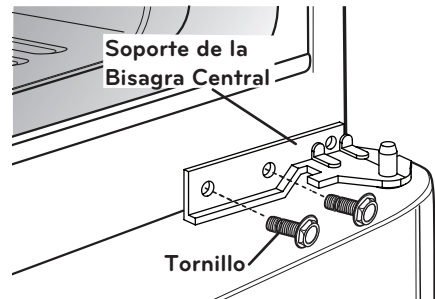


3. Levante cuidadosamente la puerta del congelador del soporte de la bisagra central. Coloque la puerta sobre una superficie donde no se pueda rayar.

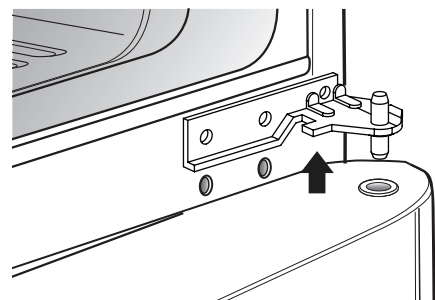


Quitar la Puerta del Refrigerador

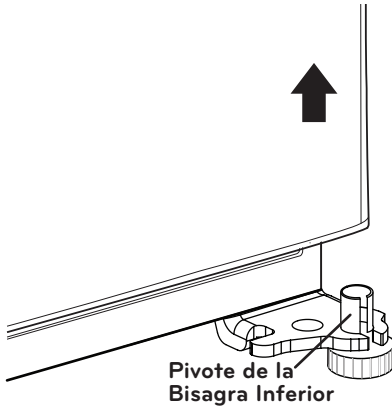
1. Afloje y remueva los dos tornillos usando la llave tubular de cabeza hexagonal.



2. Quite el soporte de la bisagra central.

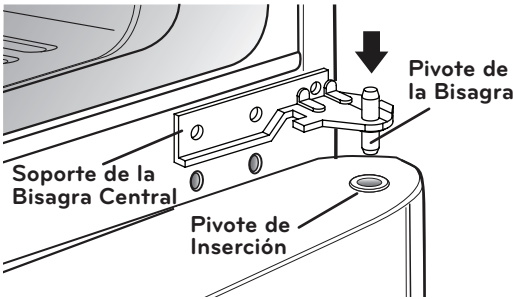


3. Levante cuidadosamente la puerta del refrigerador del pivote de la bisagra inferior. Coloque la puerta sobre una superficie donde no se pueda rayar.

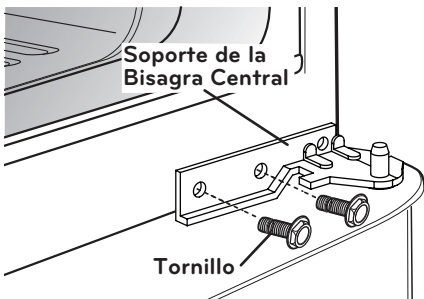


Ensamblar la Puerta del Refrigerador

1. Coloque la puerta del refrigerador sobre el pivote de la bisagra inferior.
2. Coloque el pivote de la bisagra central dentro del pivote de inserción localizado en la parte superior de la puerta del refrigerador. Sostenga la puerta en su lugar y alinee el soporte de la bisagra central con los orificios en el gabinete del refrigerador.

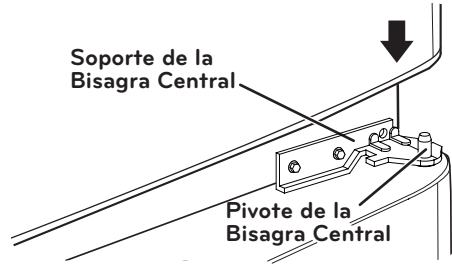


3. Para reajustar el soporte de la bisagra central con el gabinete del refrigerador, coloque y ajuste los dos tornillos con ayuda de la llave tubular de cabeza hexagonal.

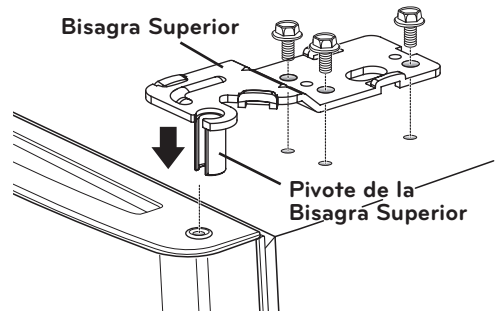


Ensamblar la Puerta del Congelador

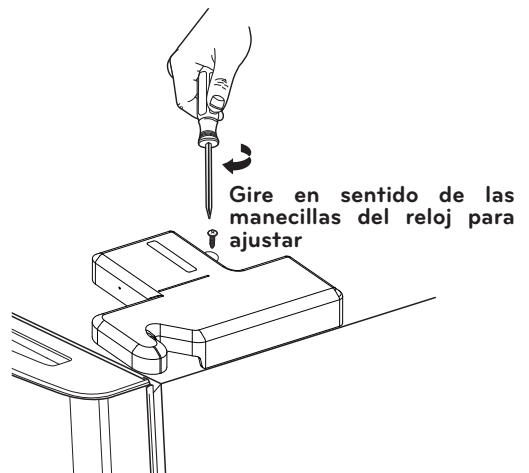
1. Coloque la puerta del congelador sobre el pivote de la bisagra central.



2. Coloque el pivote de la bisagra superior en la parte superior de la puerta del congelador, hay que alinear la bisagra superior con los tres agujeros colocados en la parte superior del refrigerador. Use los tres tornillos para ajustar la bisagra.



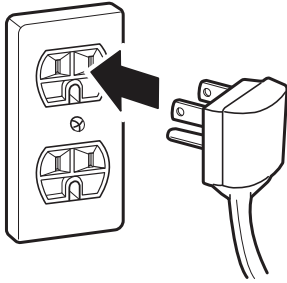
3. Cuidadosamente coloque la cubierta de la bisagra superior en su posición original, use el tornillo para ajustarla.



NOTA: Antes de colocar la cubierta de la bisagra superior asegúrese de que los cables ensamblados a ella no estén siendo presionados.

Encendido

1. Enchufe el refrigerador.



! NOTA

Hacer que alguien empuje contra la parte superior del refrigerador quita algo de peso aplicado a las patas niveladoras, esto hace más fácil ajustarlas.

2. Vuelva a abrir ambas puertas y compruebe que se cierran con facilidad. Si no es así, incline el refrigerador ligeramente hacia atrás girando ambas patas de nivelación hacia la izquierda. Es posible que sean necesarios más giros; deberá girar ambas patas de nivelación la misma cantidad de veces.



PRECAUCIÓN

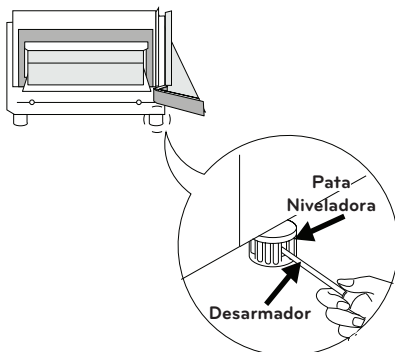
- Conecte a una toma de corriente adecuada.
- Haga que un electricista certificado verifique la toma de corriente y cableado para una conexión a tierra adecuada.
- No dañe ni corte la terminal del enchufe de alimentación con conexión a tierra.

Nivelación

Tras la instalación, enchufe el cable de alimentación del refrigerador en una toma de corriente de 3 clavijas con conexión a tierra y empuje el refrigerador hasta su posición definitiva.

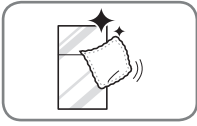
Su refrigerador tiene dos patas de nivelación delanteras: uno a la derecha y otro a la izquierda. Ajuste las patas para modificar la inclinación de delante hacia atrás o de lado a lado. Si el refrigerador parece inestable o si desea que las puertas se cierren más fácilmente, ajuste la inclinación del refrigerador mediante las siguientes instrucciones:

1. Gire la pata de nivelación insertando un desarmador plano en las ranuras que están en las patas niveladoras. Gira la pata en sentido de las manecillas del reloj (↻) para levantar el refrigerador o en contra de las manecillas del reloj (↺) para bajar. Es posible que sean necesarios varios giros para ajustar la inclinación.



INSTRUCCIONES DE USO

Antes de usar



Limpie el refrigerador.

Limpie bien el refrigerador y quite todo el polvo acumulado durante el transporte.



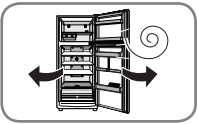
PRECAUCIÓN

- No raye el refrigerador con un objeto punzante ni utilice un detergente que contenga alcohol, un líquido inflamable o un abrasivo cuando retire cualquier cinta adhesiva o pegamento del mismo.
- No retire la etiqueta de número de modelo ni de serie ni de la información técnica sobre la superficie posterior del refrigerador.



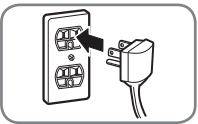
NOTA

Quite el residuo adhesivo limpiándolo con su dedo pulgar o con detergente de vajilla.



Abra las puertas del refrigerador para ventilar el interior.

El interior del refrigerador puede oler a plástico al principio. Extraiga cualquier cinta adhesiva del interior del refrigerador y abra las puertas del refrigerador para ventilar.



Conecte el suministro de energía.

- Verifique que el suministro de energía esté conectado antes de usar el refrigerador.
- Consulte la sección "Encendido".

Espera a que el refrigerador enfríe.

Deje que el refrigerador esté en funcionamiento durante al menos dos o tres horas antes de almacenar alimentos dentro del mismo. Compruebe el flujo de aire frío en el compartimento del congelador para asegurarse de que la refrigeración sea la adecuada.



PRECAUCIÓN

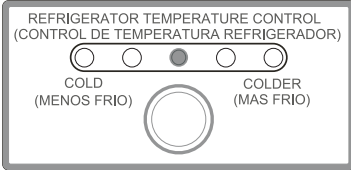
Colocar alimentos en el refrigerador antes de que se haya enfriado podría hacer que se echen a perder los alimentos o que el mal olor permanezca dentro del refrigerador.

El refrigerador hace un ruido fuerte luego del funcionamiento inicial.

Esto es normal. El ruido irá disminuyendo a medida que disminuya la temperatura.

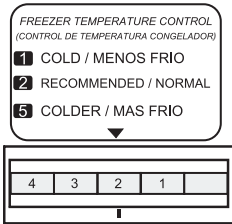
Panel de Control

Funciones del Panel de Control



Panel de Control del Refrigerador

Controla la temperatura del compartimento del refrigerador. Presione el botón hasta la configuración deseada (de 1 a 5).



Panel de Control del Congelador

Controla el flujo de aire frío que va del congelador al refrigerador. Para cambiar de posición el control, impúselo hacia los lados para que gire. La flecha le indica el nivel de temperatura en que se encuentra su congelador (de 1 a 5).

Ajuste sus controles de temperatura dependiendo de la cantidad de comida almacenada, use la tabla de abajo como referencia:

Cantidad de Comida Almacenada			
Control de:	Muchos Alimentos	Cantidad Regular	Pocos Alimentos
Congelador	<p>Ajuste en 2</p>	<p>Ajuste en 2</p>	<p>Ajuste en 1</p>
Refrigerador	<p>Presione hasta que la quinta luz se encienda</p>	<p>Presione hasta que la tercera luz se encienda</p>	<p>Presione hasta que la primera luz se encienda</p>

! NOTA

Tenga cuidado de no obstruir o mover con los alimentos los controles de temperatura, ya que podría cambiar o desconocer el nivel de temperatura al cual se encuentra su refrigerador.

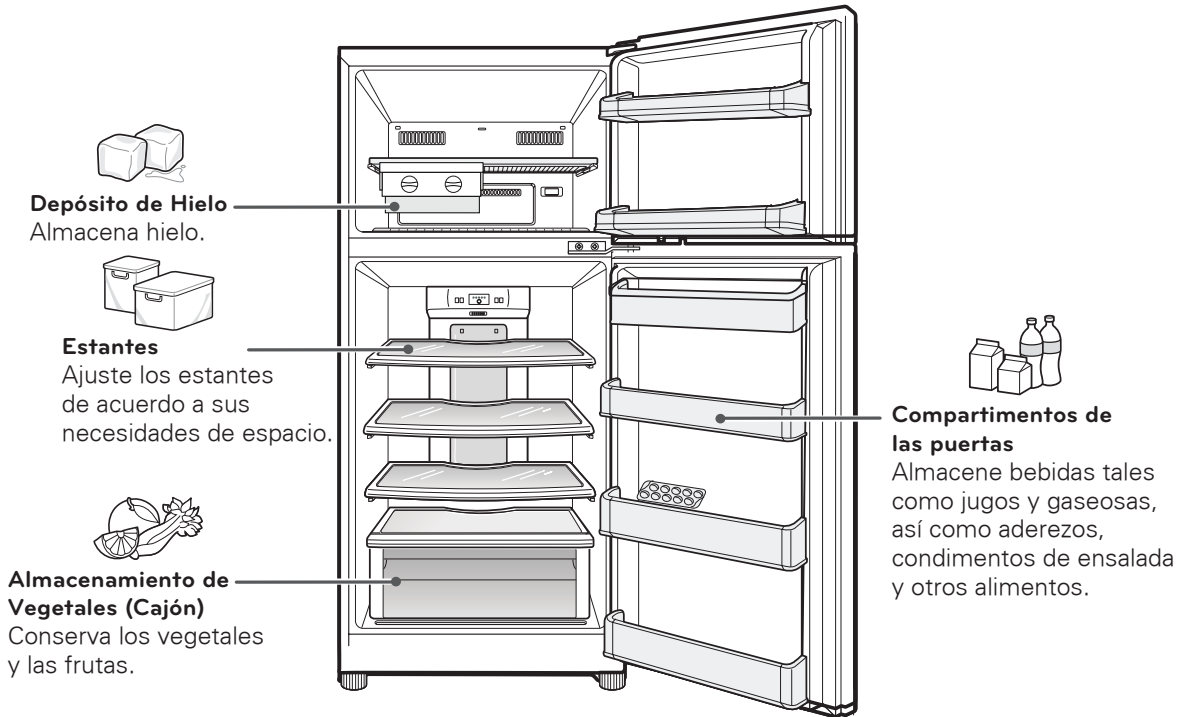
! NOTA

Si el control de temperatura del congelador se posiciona en el número 5 puede generar que el compartimento del refrigerador no enfríe como quisiera el cliente, especialmente si está muy cargado de alimentos o es un día caluroso.

Almacenamiento de Alimentos

Lugar de Conservación de Alimentos

Cada compartimento del refrigerador está diseñado para almacenar diferentes tipos de alimentos. Almacene sus alimentos en el espacio óptimo para disfrutar de los sabores más frescos.



! PRECAUCIÓN

- No almacene alimentos con alto contenido de humedad en la parte superior del refrigerador. La humedad podría entrar en contacto directo con el aire frío y congelarse.
- Lave los alimentos antes de guardarlos en el refrigerador. Si es necesario enjuague y frote a fondo las verduras secas y frutas para eliminar la suciedad como jugo o áreas manchadas, además limpiar el envasado de alimentos ayuda a evitar que los demás alimentos se contaminen.
- Si el refrigerador se encuentra en un lugar húmedo y de mucho calor, abrir la puerta constantemente o almacenar muchos vegetales en el refrigerador puede dar lugar a condensación. Limpie la condensación con un paño limpio o una toalla de papel.
- Si la puerta del refrigerador se abre demasiadas veces, el aire caliente puede entrar en el refrigerador y subir su temperatura. Esto puede aumentar los costos de funcionamiento del aparato.
- No sobrecargue o acomode los artículos demasiado apretados en los compartimentos de las puertas. El hacerlo puede causar daño al compartimento o a Usted si son removidos con fuerza excesiva.
- No almacene contenedores de vidrio en el compartimento del congelador. El contenido se puede expandir cuando esté congelado y quebrar el contenedor causando riesgo de alguna lesión.

! NOTA

- Si va a abandonar su hogar por un período corto de tiempo, como unas pequeñas vacaciones, el refrigerador debe quedar encendido. Los alimentos refrigerados que se pueden congelar se preservarán por más tiempo si se almacenan en el congelador.
- Si va a dejar el refrigerador apagado durante un período de tiempo prolongado, retire todos los alimentos y desenchufe el cable de alimentación. Limpie el interior y deje la puerta abierta para evitar la formación de hongos en el refrigerador.

Sugerencias para el Almacenamiento de Alimentos

Las siguientes sugerencias podrían no ser de aplicación en su caso dependiendo del modelo del refrigerador.

Envuelva o almacene los alimentos en el refrigerador dentro de materiales herméticos y antihumedad, a menos que se indique lo contrario. Esto evitará que el olor y sabor de los alimentos se transfiera por todo el refrigerador. Para productos con fecha de caducidad, verifique el código de fecha para garantizar la frescura.

Alimento	Como almacenar
Mantequilla o margarina	Conserve la mantequilla abierta en un plato cubierto o en un compartimento cerrado. Cuando almacene una cantidad extra, envuélvala en una bolsa para congelar y congélela.
Queso	Almacene en el envoltorio original hasta que esté listo para consumirlo. Una vez abierto, vuelva a envolverlo herméticamente en un envoltorio plástico o en papel de aluminio.
Leche	Limpie los cartones de leche. Para que la leche se conserve más fría, coloque el envase en un estante interior.
Huevos	Almacénelos en el cartón original en un estante interior, no en un compartimento de la puerta.
Fruta	No lave ni pele la fruta hasta justo antes de su consumo. Organice y mantenga la fruta en su contenedor original, en el cajón para la verdura, o almacénela en una bolsa de papel completamente cerrada en un estante del refrigerador.
Verduras con Hojas	Retire el envoltorio comercial y corte o arranque las zonas mullidas o decoloradas. Lave en agua fría y deje escurrir. Colóquela en una bolsa o un contenedor de plástico y almacénela en el cajón para verduras.
Vegetales con piel (zanahorias, pimientos)	Colóquelos en una bolsa o un contenedor de plástico y almacénelos en el cajón para verduras.
Pescado	Almacene el pescado y marisco fresco en la sección del congelador si no los va a consumir el mismo día que los compró. Se recomienda consumir el pescado y marisco el mismo día de su adquisición.
Sobras	Cubra las sobras con un envoltorio plástico, papel de aluminio o dentro de contenedores de plástico con tapas herméticas.

Almacenamiento de Alimentos Congelados



NOTA

Consulte una guía de congelación o un libro de cocina confiable para obtener más información sobre la forma de preparar los alimentos para su congelación o sobre los tiempos de almacenamiento de los alimentos congelados.

Congelación

El congelador no congelará rápidamente una gran cantidad de alimentos. No coloque más alimentos sin congelar en el congelador de los que puedan congelarse en 24 horas [no más de 2 libras (0,9 kg) a 3 libras (1,3 kg) de comida por pie cúbico o espacio del congelador]. Deje suficiente espacio para que el aire pueda circular entre los paquetes. Tenga cuidado de dejar suficiente espacio en la parte delantera para que se pueda cerrar la puerta herméticamente. Los tiempos de almacenamiento variarán en función de la calidad y tipo de alimento, el tipo de envase o envoltorio utilizado (si son herméticos y antihumedad) y temperatura de almacenamiento. La aparición de cristales de hielo dentro de un paquete sellado es normal. Esto solo significa que la humedad del alimento y del aire del interior del paquete se ha condensado, creando cristales de hielo.



NOTA

Deje que los alimentos calientes se enfríen a temperatura ambiente durante 30 minutos y después empaquételes y congélelos. Enfriar alimentos calientes antes de congelarlos ahorra energía.

Empaque

Una congelación correcta depende de un empaque adecuado. Cuando se cierra y sella el paquete, no debe dejar que entre ni salga aire ni humedad. Si eso sucede, es posible que el olor y el sabor de los alimentos se transfieran por todo el refrigerador y también se podrían resecar los alimentos congelados.

Recomendaciones de Empaque:

- Contenedores de plástico rígido con tapas herméticas.
- Tarros de congelación o latas.
- Papel de aluminio grueso.
- Papel con revestimiento plástico.
- Envoltorios plásticos no permeables.
- Bolsas de plástico con autosellado y calidad específica apta para congelador.

Siga las instrucciones del contenedor o paquete para métodos de congelación adecuados.

No use:

- Envolturas de pan.
- Contenedores de plástico que no sean de polietileno.
- Contenedores sin tapas herméticas.
- Papel de cera o envoltura para congelador con revestimiento de cera.
- Envolturas finas y semipermeables.

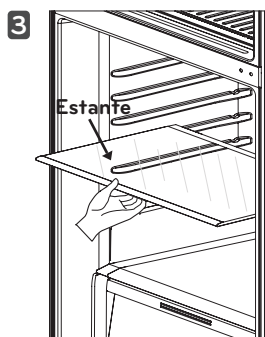
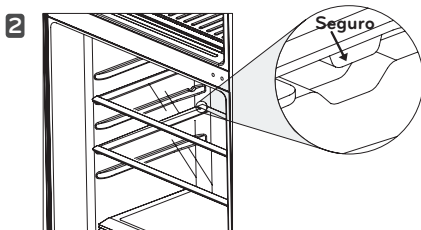
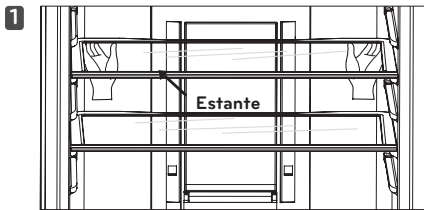
Ajuste de los Estantes

Los estantes del refrigerador son ajustables para satisfacer sus necesidades personales de almacenamiento.

Organizar los estantes para que se ajusten a las diferentes alturas de los artículos hará que le resulte más fácil encontrar lo que busca. Con ello también reducirá el tiempo que permanece la puerta del refrigerador abierta y ahorrará energía.

Desensamble de los Estantes

1. Tome el estante de la parte de atrás.
2. Use la fuerza necesaria para levantar el estante y liberar los seguros.
3. Deslice el estante hacia afuera.



PRECAUCIÓN

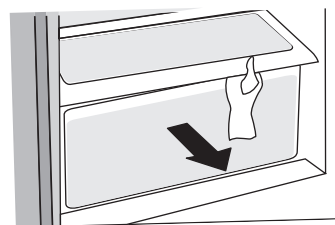
- No limpie los estantes de vidrio con agua templada mientras aún están fríos. Los estantes podrían romperse si se ven expuestos a cambios repentinos de temperatura o impactos.
- Los estantes de vidrio son pesados. Tenga especial cuidado al momento de retirarlos.

Cajón para Control de Humedad

Los cajones para verduras mantienen el sabor y frescura de frutas y verduras.

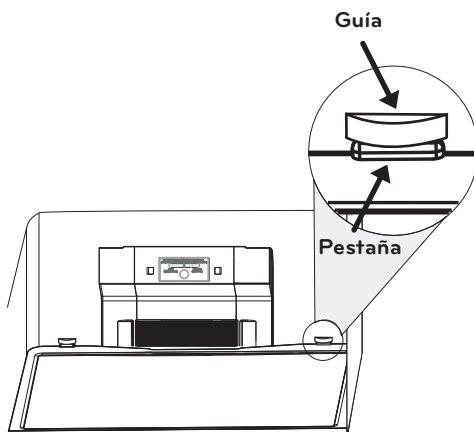
Para remover y/o reemplazar el cajón:

1. Para remover, deslice el cajón hacia afuera hasta que tope y levántelo para sacarlo en su totalidad.
2. Para instalar el cajón, deslícelo hacia adentro hasta pasar los topes.



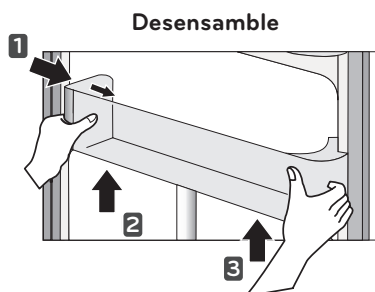
Ensamble del Estante

1. Deslice el estante sobre los rieles hasta que se detenga.
2. Suavemente presione hacia abajo la parte trasera del estante para colocarlo debajo de la guía.
3. Compruebe que la pestaña se encuentra posicionada por debajo de la guía para asegurar el ensamble del estante.

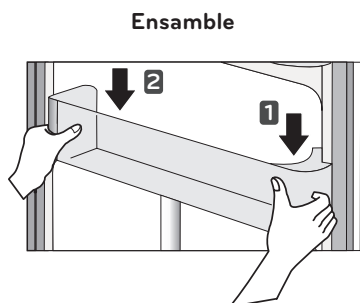


Ensamble y Desensamble de los Compartimentos de la puerta

Para desensamblar, primero ejerza presión sobre la cara lateral izquierda **1**, empuje hacia arriba ese lado **2**, prosiga con el lado derecho **3**, para remover por completo.



Para ensamblar, primero coloque el lado derecho sobre la guía del refrigerador **1** y proceda con el lado izquierdo **2** para ensamblar por completo.

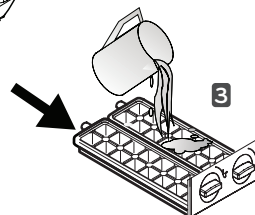
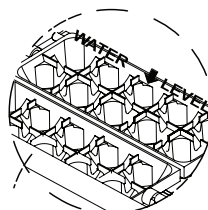
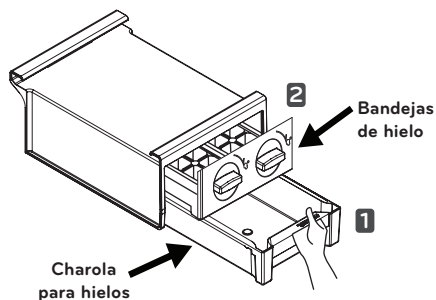


PRECAUCIÓN

- No aplique fuerza excesiva al quitar o desmontar los compartimentos.
- No use el lava vajillas para limpiar los estantes ni los compartimentos.
- Regularmente remueva y lave los estantes y los compartimentos, se pueden ensuciar fácilmente con la comida.

Fábrica de Hielos

1. La bandeja de hielos debe de ser removida para poder quitar la charola para hielos.
2. Una vez que la bandeja fue removida, jale la charola para hielos.
3. Llene la charola para hielos hasta el nivel indicado.



4. Coloque la charola y la bandeja para hielos en su posición original y espere a que los cubos de hielo estén listos.
5. Gire las perillas en sentido de las manecillas del reloj para que los hielos caigan dentro de la bandeja.
6. La fábrica de hielos puede ser movida de un lado a otro de acuerdo a sus necesidades de espacio.

MANTENIMIENTO

Limpieza

- Tanto las secciones del refrigerador como del congelador se descongelan de forma automática, sin embargo, se recomienda limpiar ambas secciones una vez al mes para evitar la formación de olores.
- Seque los derrames inmediatamente.
- Siempre desenchufe el refrigerador antes de limpiarlo.

Sugerencias Generales de Limpieza

- Desenchufe el refrigerador o desconecte la alimentación.
- Retire todos los componentes extraíbles como estantes, cajones, etc.
- Use una esponja limpia o un trapo suave, junto con un detergente suave en agua templada. No utilice limpiadores abrasivos o agresivos.
- Lave a mano, enjuague y seque todas las superficies a fondo.

Exterior

El encerado de las superficies externas metálicas pintadas proporciona una protección contra el óxido. No encere las piezas de plástico. Encere las superficies metálicas pintadas al menos dos veces al año con cera para electrodomésticos (o cera en pasta para coches). Aplique la cera con un trapo suave y limpio.

Para productos con un exterior en acero inoxidable, use una esponja limpia que no genere rayones o un trapo suave, junto con un detergente suave en agua tibia. No utilice limpiadores abrasivos o muy fuertes.



PRECAUCIÓN

- No use una esponja o paño áspero al limpiar el interior y el exterior del refrigerador.
- No coloque su mano sobre la superficie inferior del refrigerador al abrir y cerrarlo.



ADVERTENCIA

Use un limpiador no inflamable. Si no se cumple con esto se podrá producir una explosión, incendio o muerte.

Paredes Interiores (deje que el congelador se caliente para que el trapo no se pegue)

Para ayudarle a eliminar los olores, puede lavar el interior del refrigerador con una mezcla de bicarbonato sódico y agua templada. Mezcle 2 cucharadas soperas de bicarbonato sódico (unos 26 gramos) en 1 litro de agua (un cuarto de galón). Asegúrese de que el bicarbonato sódico esté completamente disuelto para que no raye las superficies del refrigerador.

Revestimiento y empaque de las puertas

Use una esponja limpia o un trapo suave, junto con un detergente suave en agua templada. No utilice ceras de limpieza, detergentes concentrados, blanqueadores ni limpiadores que contengan petróleo en las piezas del refrigerador que son de plástico.

Piezas Plásticas (cubiertas y paneles)

Use una esponja limpia o un trapo suave, junto con un detergente suave en agua templada. No utilice líquidos para limpiar ventanas, limpiadores abrasivos o fluidos inflamables ya que pueden rayar o dañar las piezas.

Reemplazo de Luz (LED)

NOTA: No remueva la luz (LED), sólo debe de ser removido por un técnico calificado.

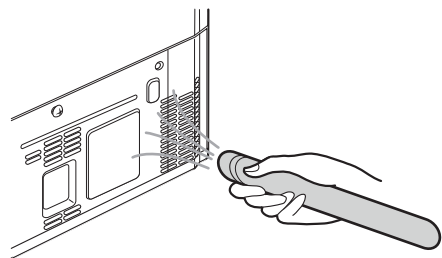


ADVERTENCIA

En caso de reemplazo, la nueva lámpara debe ser de la misma especificación que la original.

Tubería del Condensador

Use una aspiradora con accesorio para limpiar la tubería del condensador y las rejillas de ventilación. No retire la cubierta trasera que protege a la tubería.



SOLUCIÓN DE PROBLEMAS

Consultela sección Solución de problemas antes de llamar al centro de servicio, hacerlo le hará ahorrar tiempo y dinero.

Problema	Posibles Causas	Soluciones
El refrigerador y sección del congelador no están refrigerando.	El control del refrigerador está en posición OFF (apagado), algunos modelos.	Ponga el control en posición ON (encendido). Consultela sección Panel de Control para ver los ajustes de temperatura apropiados.
	El refrigerador está en el ciclo de descongelamiento.	Durante el ciclo de descongelamiento, es posible que la temperatura de cada compartimento suba un poco. Espere 30 minutos y compruebe que se haya restaurado la temperatura apropiada una vez completo el ciclo de descongelamiento.
	El refrigerador se instaló recientemente.	Puede tomar hasta 24 horas para que cada compartimento alcance la temperatura deseada.
	El refrigerador se cambió de lugar recientemente.	Si el refrigerador estuvo almacenado durante mucho tiempo o se movió sobre su costado, es necesario que el refrigerador esté en posición vertical durante 24 horas antes de conectarlo a una fuente de energía.
El sistema de refrigeración funciona demasiado tiempo.	El refrigerador está reemplazando un modelo anterior.	Los refrigeradores modernos requieren más tiempo de operación pero usan menos energía debido a que existe tecnología más eficiente.
	El refrigerador se conectó recientemente o se restauró la energía hace poco.	Tomará hasta 24 horas para que el refrigerador se enfríe completamente.
	Se abrió la puerta a menudo o se agregó una gran cantidad de alimentos/comida caliente.	Agregar comida y abrir la puerta aumenta la temperatura del refrigerador, lo que obliga al compresor a funcionar durante más tiempo para poder volver a enfriar el refrigerador. Para ahorrar energía, intente sacar todo lo que necesite del refrigerador de una sola vez, mantenga los alimentos organizados para que resulte fácil encontrarlos y cierre la puerta en cuanto haya sacado los alimentos (Consulte la sección Sugerencias para el Almacenamiento de Alimentos).
	Las puertas no están cerradas del todo.	Empuje las puertas firmemente para cerrarlas. Si no se cierran del todo, consulte la sección Las puertas no se cierran completamente se abren en la sección Solución de Problemas.
	El refrigerador está instalado en un lugar caluroso.	El compresor funcionará durante más tiempo en condiciones calurosas. A temperaturas ambiente normales 21 °C (70 °F), el compresor debería funcionar entre el 40% y el 80% del tiempo. En condiciones más calurosas, sería esperable que funcionara aún más a menudo. No se debe operar el refrigerador a temperaturas que superen los 43 °C (110 °F).
La sección del refrigerador o del congelador está demasiado cálida.	El condensador / cubierta trasera están obstruidos.	Use una aspiradora con accesorio para limpiar la cubierta del condensador y ventilas. No remueva la cubierta que protege al condensador.
	El refrigerador se instaló recientemente.	Puede tomar hasta 24 horas para que cada compartimento alcance la temperatura deseada.
	Las ventilaciones de aire están bloqueadas. Circula aire frío desde el congelador hasta la sección de alimentos frescos y de vuelta, por las ventilaciones de aire que hay en la pared que dividen las dos secciones.	Localice las ventilaciones de aire usando su mano para sentir el flujo de aire y mueva todos los envases que bloqueen las ventilaciones y restrinjan el flujo de aire. Reordene los artículos para permitir que el aire circule por el compartimento.
	Las puertas se abren a menudo o durante mucho tiempo.	Cuando las puertas se abren a menudo o durante mucho tiempo, el aire cálido y húmedo ingresa en el compartimento. Esto aumenta la temperatura y el nivel de humedad dentro del compartimento. Para disminuir el efecto, reduzca la frecuencia y duración de la apertura de las puertas.

Problema	Posibles Causas	Soluciones
La sección del refrigerador o del congelador está demasiado cálida.	La unidad está instalada en un lugar cálido.	No se debe operar el refrigerador a temperaturas por encima de los 43 °C (110 °F).
	Se agregó gran cantidad de alimentos calientes a cualquiera de los compartimentos.	Agregar muchos alimentos calientes al compartimento hace que se sea necesario que opere el sistema de refrigeración. Permitir que los alimentos calientes se enfríen hasta estar a temperatura ambiente antes de guardarlos en el refrigerador reducirá este efecto.
	Las puertas no están correctamente cerradas.	Consulte la sección Las puertas no se cierran correctamente o se abren en la sección Solución de Problemas.
	El control de temperatura no está en la configuración correcta.	Si la temperatura es demasiado cálida, ajuste el control de a un incremento y espere a que se establezca la temperatura. Consulte la sección Panel de Control para obtener más información.
	El ciclo de descongelamiento se completó recientemente.	Durante el ciclo de descongelamiento, es posible que la temperatura de cada compartimento aumente levemente y que se forme condensación en la pared trasera. Espere 30 minutos y compruebe que se haya restaurado la temperatura apropiada una vez completo el ciclo de descongelación.
Acumulación de humedad en el interior.	Las puertas se abren a menudo o durante mucho tiempo.	Cuando las puertas se abren a menudo o durante mucho tiempo, el aire cálido y húmedo ingresa en el compartimento. Esto aumenta la temperatura y el nivel de humedad dentro del compartimento. Para disminuir el efecto, reduzca la frecuencia y duración de la apertura de las puertas.
	Las puertas no están correctamente cerradas.	Consulte la sección Las puertas no se cierran correctamente o se abren en la sección Solución de Problemas.
	El clima es húmedo.	El clima húmedo permite que ingrese humedad adicional en los compartimentos cuando se abren las puertas, lo que resulta en condensación o escarcha. Mantener un nivel razonable de humedad en el hogar ayudará a controlar la cantidad de humedad que puede ingresar en los compartimentos.
	El ciclo de descongelamiento se completó recientemente.	Durante el ciclo de descongelamiento, es posible que la temperatura de cada compartimento aumente levemente y que se forme condensación en la pared trasera. Espere 30 minutos y compruebe que se haya restaurado la temperatura apropiada una vez completo el ciclo de descongelamiento.
	Los alimentos no están correctamente envasados.	Los alimentos que se guardan sin tapar o envolver y los contenedores húmedos pueden resultar en la acumulación de humedad en cada compartimento. Seque todos los contenedores con un trapo y guarde los alimentos en envases sellados para evitar que se forme condensación y escarcha.
Los alimentos se están congelando en el compartimento del refrigerador.	Se ubicaron alimentos con alto contenido de agua cerca de una ventilación de aire.	Reordene los artículos de manera que aquellos que tienen alto contenido de agua estén lejos de las ventilaciones de aire.
	El control de temperatura del refrigerador está mal configurado.	Si la temperatura es demasiado fría, ajuste el control incrementando una posición y espere a que se establezca la temperatura. Consulte la sección Panel de Control para obtener más información.
	El refrigerador está instalado en un lugar frío.	Cuando el refrigerador opera a temperaturas por debajo de los 5 °C (41 °F), los alimentos se pueden congelar en el compartimento del refrigerador. No se debe operar el refrigerador a temperaturas por debajo de los 13 °C (55 °F).

Problema	Posibles Causas	Soluciones
Se forma escarcha o cristales de hielo sobre los alimentos congelados (fuera del envase).	Las puertas se abren a menudo o durante mucho tiempo.	Cuando las puertas se abren a menudo o durante mucho tiempo, el aire cálido y húmedo ingresa en el compartimiento. Esto aumenta la temperatura y el nivel de humedad dentro del compartimiento. Una mayor humedad resultara en escarcha y condensación. Para disminuir el efecto, reduzca la frecuencia y duración de la apertura de las puertas.
	La puerta no se cierra bien.	Consulte la sección Las puertas no se cierran correctamente o se abren en la sección Solución de Problemas.
La sección del refrigerador o del congelador está demasiado fría.	Configuración incorrecta del control de temperatura.	Si la temperatura es demasiado fría, ajuste el control de a un incremento y espere a que se establezca la temperatura. Consulte la sección Panel de Control para obtener más información.
Se forma escarcha o cristales de hielo sobre los alimentos congelados (dentro del envase sellado).	La condensación de los alimentos con alto contenido de agua se congeló dentro del envase.	Esto es normal para aquellos alimentos que tienen alto contenido de agua.
	El alimento ha estado en el congelador durante mucho tiempo.	No almacene alimentos con alto contenido de agua en el congelador durante largos períodos de tiempo.
El hielo huele o sabe mal.	Los alimentos no están bien guardados en los compartimentos.	Vuelva a envolver los alimentos. Es posible que los olores se trasladen al hielo si los alimentos no están bien envueltos.
	Es necesario limpiar el contenedor en donde se almacena el hielo.	Vacíe y lave el contenedor (deseche los cubitos viejos). Asegúrese de que el contenedor esté completamente seco antes de volver a instalarlo.
Las puertas no cierran correctamente o se abren.	Hay envases de alimentos impidiendo que la puerta se cierre.	Reordene los contenedores de alimento para dejar libre la puerta y los estantes.
	El contenedor de hielo, la tapa del cajón para verduras, las bandejas, los estantes, los contenedores de las puertas o los compartimentos no están en su posición.	Empuje todos los contenedores hacia adentro y ponga la tapa del cajón para verduras, las bandejas, los estantes y los compartimentos en su posición correcta. Consulte la sección Instrucciones de Uso.
	El refrigerador no está bien nivelado.	Consulte la sección Nivelación como guía para nivelar el refrigerador.
Las puertas son difíciles de abrir.	Los empaques están sucios o pegajosos.	Limpie los empaques y las superficies de contacto. Aplique una fina capa de abrillantador para electrodomésticos o cera de cocina en los empaques después de limpiarlas.
	La puerta se cerró recientemente.	Cuando abre la puerta, ingresa aire más caliente al refrigerador. Al enfriarse ese aire caliente, puede crear un vacío. Si le cuesta abrir la puerta, espere un minuto para permitir que la presión del aire se equilibre, y luego pruebe para ver si se abre con más facilidad.
El refrigerador se tambalea o parece inestable.	Las patas de nivelación no están bien ajustadas.	Consulte la sección Nivelación.
	El suelo no está nivelado.	Es posible que sea necesario agregar cuñas debajo de las patas de nivelación o rodillos para completar la instalación.
Las luces no funcionan.	Avería de la iluminación LED	La lámpara del compartimiento del refrigerador es iluminación LED interior, por lo que el mantenimiento deberá ser realizado por un técnico calificado.
El interior del refrigerador está cubierto con polvo u hollín.	El refrigerador está ubicado cerca de una fuente de calor, como por ejemplo una chimenea o una vela.	Asegúrese de que el refrigerador no esté ubicado cerca de una fuente de calor, como por ejemplo una chimenea o una vela.

Problema	Posibles Causas	Soluciones
Clics.	El control de descongelamiento hará un chasquido cuando comience y finalice el ciclo automático de descongelamiento. El control del termostato (o del refrigerador en algunos modelos) también hará un chasquido al encenderse y apagarse.	Funcionamiento Normal.
Traqueteo.	Es posible que el traqueteo provenga del flujo de refrigerante o del refrigerador.	Funcionamiento Normal.
	El refrigerador no descansa sólidamente sobre el suelo.	El suelo es débil o irregular o es necesario ajustar las patas de nivelación. Consulte la sección Nivelación.
Silbido.	El motor del ventilador evaporador está circulando aire por los compartimientos del refrigerador y congelador.	Funcionamiento Normal.
	El ventilador del condensador está forzando el aire por encima del condensador.	Funcionamiento Normal.
Gorgoteo.	El refrigerante fluye por el sistema de refrigeración.	Funcionamiento Normal.
Chasquidos.	Contracción y expansión de las paredes interiores debido a los cambios de temperatura.	Funcionamiento Normal.
Chisporroteos.	Agua que gotea sobre el calentador de descongelamiento durante un ciclo de descongelamiento.	Funcionamiento Normal.
Vibración.	Si los laterales o la parte trasera del refrigerador están tocando un mueble o pared, es posible que algunas de las vibraciones normales produzcan un sonido audible.	Para eliminar el ruido, asegúrese de que los laterales y la parte trasera vibren contra ningún mueble o pared.
Goteo.	Agua que fluye a la bandeja de drenaje durante el ciclo de descongelamiento.	Funcionamiento Normal.
Sonido pulsante o agudo.	Su refrigerador está diseñado para funcionar más eficiente para conservar los alimentos a la temperatura deseada. Es posible que el compresor de alta eficiencia haga que su refrigerador funcione durante más tiempo que su refrigerador anterior, pero sigue ahorrando más energía que los modelos anteriores. Mientras el refrigerador está en funcionamiento, es normal escuchar un sonido pulsante o agudo.	Funcionamiento Normal.

SMART DIAGNOSIS^{MR}

(Diagnóstico Inteligente)



Si tiene algún problema con su refrigerador, puede transmitir datos a través de su teléfono al centro de servicios LG. Esto le otorga la capacidad de hablar directamente con nuestros especialistas capacitados. El especialista registra los datos transmitidos desde su máquina y los utiliza para analizar el problema, brindándole un diagnóstico rápido y efectivo.

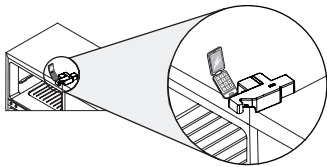
Si experimenta problema con su refrigerador, llame al 1-800-243-0000 para los Estados Unidos (1-888-542-2623 para Canadá). Únicamente utilice esta función cuando el representante del centro de atención al cliente de LG le indique hacerlo. Los sonidos de transmisión que escuchará son normales y suenan de forma parecida a un equipo de fax.

No se puede activar la función Smart Diagnosis^{MR} (Diagnóstico Inteligente) a menos que su refrigerador esté enchufado. Si su refrigerador no enciende, entonces el problema debe solucionarse sin utilizar Smart Diagnosis^{MR}.

Uso de Smart Diagnosis^{MR} (Diagnóstico Inteligente)

Primero, comuníquese al 1-800-243-0000 para Estados Unidos (1-888-542-2623 para Canadá). Únicamente utilice la función Smart Diagnosis^{MR} (Diagnóstico Inteligente) cuando el representante del centro de atención al cliente de LG le indique hacerlo.

1. Abra la puerta del refrigerador y ciérrela una vez, después ábrala 5 veces durante un período de 8 segundos, ahora la función SMART DIAGNOSISTM está activa.
2. Inmediatamente coloque el teléfono cerca del altavoz localizado en la parte superior derecha, confirme que la bocina (micrófono) del teléfono se encuentra en dirección hacia el altavoz, se escucharán 4 sonidos cortos y la bocina emitirá un sonido no mayor a 8 segundos.



3. Sostenga el teléfono en el lugar hasta que finalice el tono de transmisión. Una vez que la transmisión ha finalizado y los tonos se hayan detenido, continúe su conversación con el especialista, quien podrá entonces ayudarlo utilizando la información que se transmitió para analizar.

! NOTA

- Para obtener mejores resultados, no mueva el teléfono mientras se transmiten los tonos.
- Si el representante del Centro de Atención al Cliente no puede grabar con precisión los datos, quizá le pida que lo intente de nuevo.
- Las diferencias de la calidad de la llamada por región pueden afectar la función.
- Use el teléfono de línea para una mejor comunicación, resultando en un mejor servicio.
- Una mala calidad de la llamada puede resultar en una muy mala transmisión de datos desde su teléfono a la máquina, lo que podría causar que Smart Diagnosis^{MR} (Diagnóstico Inteligente) no funcione correctamente.

**LG ELECTRONICS U.S.A., INC.
FRIGORÍFICO LG GARANTÍA LIMITADA - U.S.A.**

En caso de que su Frigorífico LG ("Producto") falle por defectos de material o mano de obra bajo circunstancias de uso doméstico normal durante el periodo de garantía descrito a continuación, LG, a su criterio, reparará o reemplazará el producto. Esta garantía limitada es sólo válida para el comprador original del producto y se aplicará sólo cuando la compra y el uso se haya realizado dentro de los Estados Unidos, incluyendo los territorios de EE.UU. Para solicitar un servicio cubierto por esta garantía limitada, será necesario presentar el comprobante de compra original.

PERÍODO DE GARANTÍA			
Frigorífico	(Condensador, Filtro desecante, Tubo conector, Refrigerante y Evaporador)		Compresor Inverter
Un (1) año a partir de la fecha original de compra.	Un (1) año a partir de la fecha original de compra.	Siete (7) años a partir de la fecha original de compra.	Diez (10) años a partir de la fecha original de compra.
Piezas y mano de obra (sólo piezas internas/funcionales)	Piezas y mano de obra	Sólo piezas (Se le cobrará mano de obra al consumidor)	Sólo piezas (Se le cobrará mano de obra al consumidor)

Ruidos asociados con operaciones y fallas normales encontradas en las instrucciones de uso y cuidado y las guías de instalación u operación de la unidad en un ambiente inapropiado no serán cubiertas bajo esta garantía.

► Los productos y piezas reemplazados están garantizados por la parte que reste del periodo original de la garantía o por noventa (90) días, el periodo que sea más largo de los dos.

► Los productos y piezas reemplazados pueden ser nuevos o reacondicionados.

ESTA GARANTÍA SUSTITUYE A CUALQUIER OTRA GARANTÍA, EXPRESA O IMPLÍCITA, INCLUYENDO, SIN LIMITACIONES, CUALQUIER GARANTÍA DE COMERCIABILIDAD O ADECUACIÓN A UN FIN PARTICULAR. HASTA EL EXTREMO PERMITIDO POR LA LEY PARA UNA GARANTÍA IMPLÍCITA, LA DURACIÓN SE LIMITA AL PERÍODO DE GARANTÍA EXPRESA INDICADO ANTERIORMENTE. NI EL FABRICANTE NI EL DISTRIBUIDOR DE EE.UU. SERÁN RESPONSABLES DE CUALQUIER DAÑO EXTRAORDINARIO POR MOTIVOS AJENOS, INDIRECTOS, ESPECIALES, O DAÑOS PUNITIVOS DE CUALQUIER NATURALEZA, INCLUYENDO SIN LIMITACIONES, PÉRDIDAS DE BENEFICIOS, O CUALQUIER OTRO DAÑO YA SEA MENCIONADO EN EL CONTRATO, ACUERDO, O CUALQUIER OTRO SUPUESTO. Algunos estados no permiten la exclusión o limitación de daños extraordinarios o ajenos o limitaciones sobre la duración de una garantía implícita, por lo tanto la exclusión o limitación citada arriba puede que no se le aplique a usted. Esta garantía le otorga derechos legales específicos y podría tener otros derechos que variarán dependiendo del estado.

ESTA GARANTÍA LIMITADA NO CUBRE:

- Desplazamientos del servicio para entregar, recoger, instalar o reparar el producto, instruir al cliente en el funcionamiento del producto, reparar o reemplazar fusibles o corregir cableados o fontanería o para realizar correcciones de reparaciones o instalaciones no autorizadas.
- Averías de funcionamiento del producto durante cortes eléctricos e interrupciones del servicio eléctrico.
- Daños causados por tuberías de agua con fugas o rotas, tuberías de agua congeladas, conductos de drenaje bloqueados, suministros de agua inapropiados interrumpidos o suministros de aire inadecuados.
- Daños provocados por un uso del producto en una atmósfera corrosiva o contraria a las instrucciones enmarcadas en el manual del propietario del producto.
- Daños al producto provocados por accidentes, plagas y parásitos, rayos, viento, fuego, inundaciones o actos de la Naturaleza.
- Daños provocados por un uso indebido, abuso, instalación, reparación o mantenimiento inadecuados. Una reparación inadecuada que incluya piezas no aprobadas o especificadas por LG.
- Daños o fallos provocados por una modificación o alteración no autorizada, o por un uso más allá de su propósito o cualquier fuga de agua causada por una incorrecta instalación de la unidad.
- Daños o fallos provocados por una incorrecta corriente eléctrica, voltaje, normativas de fontanería, uso comercial o industrial, o uso de accesorios, componentes, o productos de limpieza desechables que no estén aprobados por LG.
- Daños provocados por transporte y manipulación, incluyendo arañazos, limaduras, astillados y/o cualquier otro daño al acabado de su producto, a menos que tales daños sean producto de defectos en los materiales o en la fabricación y sea informado en el plazo de una (1) semana desde su entrega.
- Daños u objetos desaparecidos de cualquier producto de presentación, con la caja abierta o productos rebajados o reacondicionados.
- Productos cuyo número de serie original haya sido retirado alterado o no sea legible con claridad. Para la validación de la garantía serán necesarios el recibo de compra original, el número de serie y el número del modelo.
- Incrementos de los costes de utilidad y gastos de utilidad adicionales.
- Sustitución de bombillas, filtros o cualquier otra pieza desechable.
- Reparaciones cuando su producto haya sido usado de forma diferente al uso doméstico normal (p.ej. uso comercial, en oficinas y lugares de ocio) o contrario a las instrucciones enmarcadas en el manual del propietario del producto.
- Costes asociados a la retirada del producto de su hogar para reparaciones.
- La retirada y reinstalación del producto si se encuentra instalado en un lugar inaccesible o no está instalado de acuerdo con lo publicado en el manual de instalación del producto, incluyendo los manuales LG del propietario y de instalación.
- Las estanterías, cestas de las puertas, cajones, manillas, y otras piezas a parte de aquellas que venían incluidas con este modelo en particular.

El costo de la reparación o sustitución bajo estas circunstancias excluidas será asumido por el cliente.

Para obtener una información más detallada de la garantía y asistencia al cliente, Por favor llame o visite nuestra página web:
 Llame al 1-800-243-0000 (24 horas al día, 365 días al año) y seleccione la opción apropiada del menú o visite nuestra página web en: www.lg.com
 O por correo: Centro de información al cliente LG:
 P.O. Box 240007, 201 James Record Road Huntsville, Alabama 35813
 ATTN: CIC

Escriba la información de su garantía debajo:

Información de registro del producto:

Modelo:
Número de serie:
Fecha de la compra:

MANUEL DU PROPRIÉTAIRE RÉFRIGÉRATEUR AVEC COMPARTIMENT CONGÉLATEUR SUPÉRIEUR

Veuillez lire ce manuel attentivement avant utilisation et le garder à portée de main pour pouvoir le consulter à tout moment.

Nom du Modèle

LTNS16121V

SOMMAIRE

58 CARACTÉRISTIQUES DU PRODUIT

59 CONSIGNES IMPORTANTES DE SÉCURITÉ

- 60 Consignes importantes de sécurité
- 61 Consignes importantes de sécurité

62 COMPOSANTS

- 62 Extérieur du réfrigérateur
- 63 Intérieur du réfrigérateur

64 INSTALLATION

- 64 Vue d'ensemble de l'installation
- 64 Spécifications
- 65 Déballage de votre réfrigérateur
- 65 Choisir le bon emplacement
 - 65 - Mise au sol
 - 65 - Température ambiante
 - 65 - Mesure des espaces
- 66 Retrait / Montage des portes
- 67 Montage de la porte du réfrigérateur
- 67 Montage de la porte du réfrigérateur
- 68 Mise sous tension
- 68 Nivellement

69 MODE D'EMPLOI

- 69 Avant l'utilisation
- 70 Panneau de commande
- 71 Stockage des aliments
 - 71 - Lieu de conservation des aliments
 - 72 - Conseils de stockage des aliments
 - 72 - Stockage d'aliments congelés
- 72 Réglage des étagères
- 73 Retrait de l'étagère
- 73 L'assemblage de la grill
- 73 Bacs à légume
- 74 Montage et le démontage de la Porte
- 74 Machine à glaçons

75 ENTRETIEN

- 75 Nettoyage

76 DÉPANNAGE

- 77 Dépannage
- 78 Dépannage
- 79 Dépannage

80 SMART DIAGNOSIS^{MC}

- 80 Utiliser Smart Diagnosis ^{MC}

81 GARANTIE

82 NOTES

CARACTÉRISTIQUES DU PRODUIT

- Selon le modèle, certaines des fonctionnalités suivantes peuvent être indisponibles.



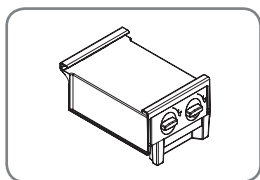
SMART DIAGNOSIS™ (Diagnostic Intelligent)

Utilisez la fonction de contacter le centre de service et recevoir un diagnostic précis lorsque le réfrigérateur ne fonctionne pas correctement ou échoue. Son utilisation est exclusivement pour la consultation, ne utiliser pas pendant la fonctionnement normal.



BACS À LÉGUME À HUMIDITÉ CONTRÔLÉE

Les bacs à légume à humidité contrôlée sont conçus pour maintenir vos fruits et légumes frais et croquants.



MACHINE À GLAÇONS

Pour répondre à son espace a besoin de votre machine à glaçons peut se déplacer d'un côté à l'autre.



AVERTISSEMENT

Connectez à une source d'eau potable uniquement.

CONSIGNES IMPORTANTES DE SÉCURITÉ

LIRE TOUTES LES INSTRUCTIONS AVANT D'UTILISER L'APPAREIL.

Ce guide contient de nombreux messages de sécurité importants. Lisez et respectez toujours l'ensemble des messages de sécurité.



Ceci est le symbole d'alerte de sécurité. Il vous alerte de messages de sécurité qui vous informent de dangers qui peuvent vous tuer ou vous blesser, blesser autrui ou causer des dommages au produit.

Tous les messages de sécurité seront précédés par le symbole d'alerte de sécurité et d'un mot:



AVERTISSEMENT Vous pouvez être tué ou gravement blessé si vous ne suivez pas ces instructions.



ATTENTION Indique une situation extrêmement dangereuse qui, si elle n'est pas évitée, peut entraîner des blessures mineures ou modérées, ou endommager le produit.



AVERTISSEMENT

Pour réduire le risque d'incendie, d'électrocution ou de blessures lors de l'utilisation de votre produit, suivre les précautions de sécurité de base, y compris ce qui suit:

Alimentation

- NE JAMAIS débrancher le réfrigérateur en tirant sur le cordon d'alimentation. Toujours tenir fermement la fiche et la retirer de la prise.
- Si le cordon d'alimentation est abîmé, il doit être remplacé par le fabricant, par son service après-vente ou par une personne également qualifiée afin d'éviter tout danger. Ne utiliser pas un cordon qui présente des fissures ou des traces de frottement sur sa longueur ou à l'extrémité de la fiche ou du connecteur.
- Ne utiliser pas une prise de courant non certifiée.
- Débranchez immédiatement le cordon d'alimentation en cas de panne ou d'orage.
- Brancher dans la prise d'alimentation avec le cordon d'alimentation vers le bas.
- Ne utiliser pas de rallonges ou des adaptateurs (deux bornes) infondées.

Installation

- Contactez un centre de service après-vente agréé avant d'installer ou de déplacer le réfrigérateur.
- Lorsque vous déplacez votre réfrigérateur loin du mur, faites attention de ne rouler pas au-dessus ou endommager le cordon d'alimentation.
- Avant l'utilisation, veillez à brancher ce réfrigérateur à une prise électrique dédiée et mise à la terre de 115 V, 60 Hz, CA uniquement. Il est de la responsabilité de l'utilisateur de remplacer une prise murale standard à 2-broches avec une prise murale standard à 3 broches.
- N'installez pas le réfrigérateur à un endroit où il risque de tomber.

Utilisation

- NE LAISSEZ PAS les enfants grimper, se tenir debout ou se suspendre aux portes ou aux clayettes du réfrigérateur. Ils pourraient endommager le réfrigérateur et se blesser gravement.
- Ne placez pas d'objets lourds sur le distributeur du réfrigérateur et ne vous y suspendez pas.
- Ne placez pas d'objets lourds ou dangereux (bouteilles de liquide) sur le réfrigérateur.
- Ne mettre pas d'animaux vivants à l'intérieur du réfrigérateur.
- Ne laissez pas les enfants monter dans le produit lorsqu'il est en cours d'utilisation.
- En cas de fuite de gaz (propane, GPL), aérez suffisamment la pièce et contactez un centre de service après-vente agréé avant de reprendre l'utilisation. Ne toucher pas ni démonter la prise électrique du réfrigérateur.
- Dans le cas d'une fuite de fluide réfrigérant, déplacer les objets inflammables loin du réfrigérateur. Aérez suffisamment la pièce et contactez un centre de service après-vente agréé.
- Ne utiliser pas ni mettre des substances inflammables (produits chimiques, médicaments, cosmétiques, etc.) près du réfrigérateur et ne pas les stocker à l'intérieur du réfrigérateur. Ne placer pas le réfrigérateur à proximité de gaz inflammables.
- Ne stockez pas de substances explosives telles que les aérosols avec un propulseur inflammable dans cet appareil.

LIRE TOUTES LES INSTRUCTIONS AVANT D'UTILISER L'APPAREIL.

Pour réduire le risque d'incendie, de choc électrique ou de blessure corporelle, les précautions de sécurité élémentaires doivent être respectées, notamment les suivantes:

- N'utilisez pas ce réfrigérateur à des fins spécifiques telles que stockage de médicaments ou de matériaux d'essai, utilisation sur un bateau, etc.
- Débranchez le cordon d'alimentation avant de nettoyer ou de réparer le réfrigérateur.
- Ne modifier pas ou étendre le cordon d'alimentation.
- Ne utiliser pas de séchoir pour sécher l'intérieur. Ne allumer pas une bougie pour enlever l'odeur à l'intérieur.
- Pour votre sécurité, cet appareil doit être correctement mis à la terre. Faites vérifier la prise murale et le circuit électrique par un électricien qualifié pour vous assurer que la prise est correctement mise à la terre.
- Ne utiliser pas une prise qui puisse être éteinte avec un interrupteur. Ne utiliser pas de rallonge. Il incombe à l'utilisateur de remplacer une prise murale standard à 2 broches avec une prise murale standard à 3 broches.
- Ne couper pas ou enlever la troisième broche (terre) du cordon d'alimentation, en aucune circonstance. Ne utiliser pas une prise d'adaptateur et brancher le cordon d'alimentation à une rallonge multi-prise.
- Débranchez immédiatement le cordon d'alimentation si vous entendez un bruit curieux, sentez une odeur étrange ou détectez de la fumée en provenance du réfrigérateur.
- Couper l'alimentation si de l'eau ou de la poussière pénètre dans le réfrigérateur. Appeler un agent de service.
- Ne démonter pas ou modifier le réfrigérateur.
- Ne mettre pas les mains, les pieds ou des objets métalliques en-dessous ou derrière le réfrigérateur.
- Ne utiliser pas le réfrigérateur ni toucher le cordon d'alimentation avec des mains mouillées.
- Ne toucher pas les surfaces froides dans le compartiment du congélateur avec les mains mouillées ou humides, quand votre réfrigérateur est en marche.
- Ne mettre pas de récipients en verre, de bouteilles en verre ou de sodas dans le congélateur.
- Cet appareil n'est pas destiné à être utilisé par des personnes (enfants compris) avec des capacités physiques, sensorielles ou mentales limitées, ou un manque d'expérience et de connaissances, à moins qu'elles n'aient été encadrées ou aient reçu des instructions concernant l'utilisation de l'appareil par une personne responsable de leur sécurité.
- Ne recongelez pas des aliments complètement décongelés. Vous risqueriez de graves problèmes de santé.
- Si vous vous débarrassez de votre vieux réfrigérateur, assurez-vous que le liquide de refroidissement CFC soit retiré pour une élimination appropriée par un réparateur qualifié. Si vous versez du réfrigérant CFC, vous pouvez être condamné à une amende ou à l'emprisonnement en conformité avec la législation pertinente sur l'environnement.
- Les réfrigérateurs jetés ou abandonnés sont dangereux, même s'ils sont déposés pour seulement quelques jours. Lors de l'élimination du réfrigérateur, retirer les matériaux d'emballage de la porte ou décoller les portes, mais laisser les étagères en place afin que les enfants ne puissent pas y pénétrer facilement.
- En cas de branchement sur un circuit protégé par des fusibles, utilisez un fusible temporisé.
- Si vous désirez plus de l'utilisation de cet appareil, contacter les autorités locales de disposer de ce produit en toute sécurité et en utilisant Cycle-pentane pentane comme mousse ou des gaz inflammables pour l'isolation. Les gaz dans le matériau d'isolation nécessitent procédé d'élimination particulier. Ce produit contient des gaz isolants inflammables.
- Ne endommager pas le circuit frigorifique.

LIRE TOUTES LES INSTRUCTIONS AVANT D'UTILISER L'APPAREIL.

Pour réduire le risque d'incendie, de choc électrique ou de blessure corporelle, les précautions de sécurité élémentaires doivent être respectées, notamment les suivantes:

 **ATTENTION**
Installation

- Le réfrigérateur doit être installé conformément aux instructions d'installation qui ont été collées à l'avant du réfrigérateur.
- Soyez prudent lorsque vous déballez et installez le réfrigérateur. Débarrassez-vous immédiatement des emballages (en plastique ou autres) pour qu'ils soient hors de portée des enfants.
- L'appareil doit être placé de sorte à pouvoir accéder facilement à la prise murale.

Utilisation

- Fermer soigneusement la porte lorsque les enfants sont à proximité.
- Éloignez vos doigts des zones de coincement; les espaces entre les portes et les armoires sont inévitablement réduits. Faites attention lorsque vous fermez les portes et que des enfants sont à proximité.
- Veillez à ranger soigneusement les aliments afin qu'ils ne puissent pas tomber et provoquer des blessures.
- Ne utiliser pas d'aérosols à proximité du réfrigérateur.
- Éviter de poser des objets sur le réfrigérateur.

Entretien

- Ne utiliser pas de détergents puissants comme de la cire ou des diluants de nettoyage. Nettoyez avec un chiffon doux.
- Nettoyez régulièrement les corps étrangers (tels que poussière et eau) sur les broches de la fiche d'alimentation et les zones de contact.
- N'essayez pas d'entreposer, de démonter ou de réparer le réfrigérateur vous-même.
- Retirer la poussière et les corps étrangers des broches.
- Utiliser un chiffon sec pour nettoyer la fiche d'alimentation.
- Si le réfrigérateur est débranché, attendez cinq minutes au moins avant de le rebrancher.
- Si vous remarquez une odeur de produit chimique, de plastique brûlé ou que vous voyez de la fumée, débranchez immédiatement le réfrigérateur et contactez votre service après-vente LG Electronics.

 **AVERTISSEMENT**

Ce produit contient des produits chimiques pouvant, d'après l'État de Californie, causer le cancer ou des malformations congénitales ou autres troubles de la reproduction. **Lavez-vous les mains après usage.**

 **AVERTISSEMENT**

Ne utiliser pas dispositifs mécaniques
Ne utiliser pas de dispositifs mécaniques ou autres des moyens d'accélérer le processus de dégivrage, que ceux recommandés par le fabricant.

 **AVERTISSEMENT**

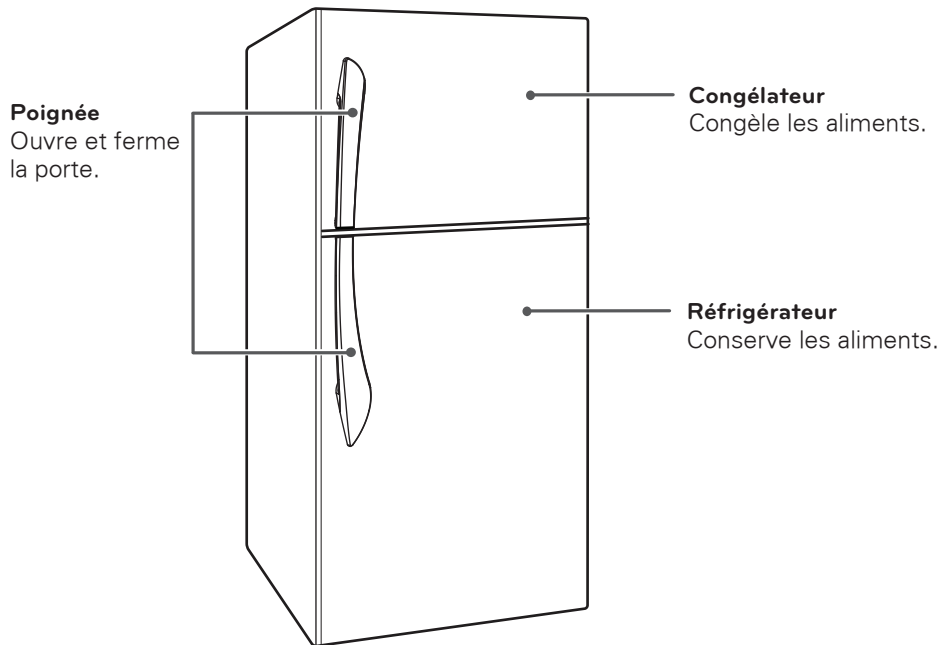
Ne stocker pas les appareils électriques
Ne utiliser pas d'appareils électriques à l'intérieur du compartiment de stockage des aliments, à moins qu'ils soient du type recommandé par le fabricant.

CONSERVEZ CES INSTRUCTIONS

COMPOSANTS

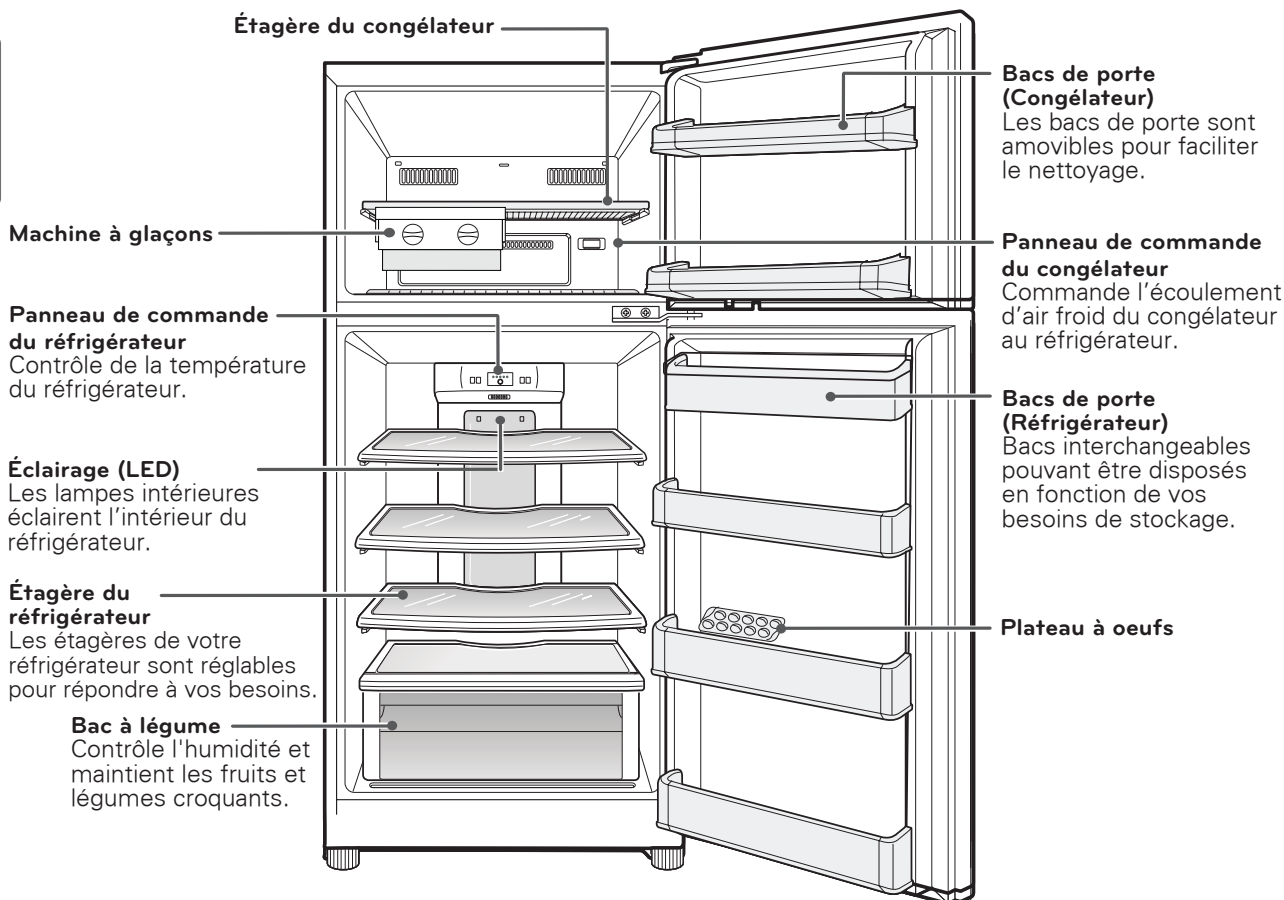
Utilisez cette page pour vous familiariser davantage avec les parties et les caractéristiques de votre réfrigérateur.

Extérieur du réfrigérateur



Intérieur du réfrigérateur

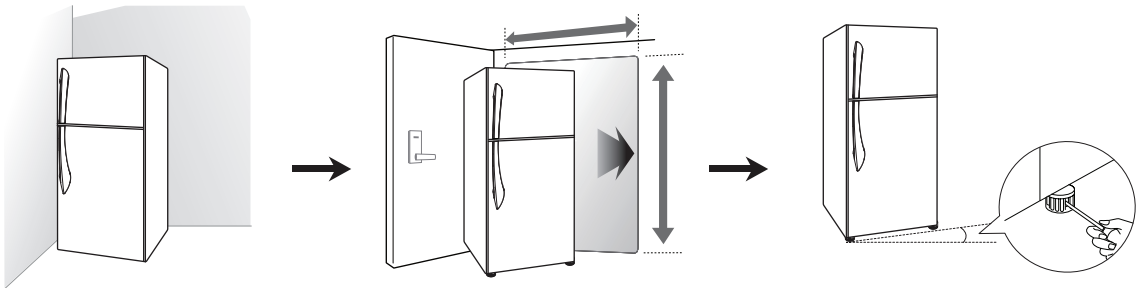
FRANÇAIS



INSTALLATION

Vue d'ensemble de l'installation

Veillez d'abord lire les instructions d'installation après l'achat de ce produit ou son transport vers un autre emplacement.



1 Déballer votre réfrigérateur

2 Choisissez un emplacement approprié

3 Nivellement et alignement de la porte

Cet appareil est destiné à être utilisé à la maison et autres applications similaires, tels que:

- Cuisine -Personnel dans les magasins, bureaux et autres des milieux de travail; les maisons de ferme et les clients dans les hôtels, motels et environnements résidentiels.
- Environnements et hébergements type de petit-déjeuner; et batisse applications non-détail similaires.

Spécifications

L'apparence et les spécifications énumérées dans ce manuel peuvent varier à cause des améliorations constantes du produit.

Dimensions	Largeur 31 pouces (787 millimètres)	Profondeur 29 pouces (737 millimètres)	Hauteur 71 pouces (1803 millimètres)
Poids net	182,98 livres (83 kilogrammes)		

Déballage de votre réfrigérateur



AVERTISSEMENT

- Utiliser deux ou plusieurs personnes pour déplacer et installer le réfrigérateur. Si cet avertissement ne sont pas suivies, vous risquez de vous blesser au dos ou autrement.
- Votre réfrigérateur est lourd. Lors du déplacement du réfrigérateur pour le nettoyage ou le service, veiller à protéger le plancher. Toujours déplacer le réfrigérateur en position verticale. Ne remuer pas ou faire marcher le réfrigérateur lorsque vous essayez de le déplacer car le plancher pourrait être endommagé.
- Maintenir les produits inflammables et les vapeurs, tels que l'essence, loin du réfrigérateur. L'incapacité à le faire pourrait provoquer un démembrement, une électrocution, ou une blessure mortelle.

Enlever le ruban adhésif et toute étiquette temporaire de votre réfrigérateur avant de l'utiliser. Ne enlever pas les étiquettes d'avertissement, l'étiquette du numéro de modèle et de série, ou la fiche technique qui est située à l'arrière du réfrigérateur.

Pour supprimer toute bande adhésive ou colle restante, frotter la surface vivement avec le pouce. Les résidus de ruban adhésif ou de colle peuvent également être enlevés en frottant une petite quantité de savon à vaisselle liquide sur l'adhésif avec les doigts. Essuyez-les avec de l'eau chaude et séchez.

Ne utiliser pas d'instruments tranchants, d'alcool à friction, de liquides inflammables ou de nettoyeurs abrasifs pour enlever le ruban adhésif ou de la colle. Ces produits peuvent endommager la surface de votre réfrigérateur.

Les étagères des réfrigérateurs sont installées dans la position de transport. Veuillez réinstaller les étagères selon vos besoins individuels.

Choisir le bon emplacement

- Le réfrigérateur devrait toujours être branché sur sa propre prise individuelle correctement mise à la terre, d'une valeur nominale de 115 Volts, 60 Hz, C.A. uniquement, et fusionnée à 15 ou 20 ampères.
- Cela offre les meilleures performances et évite de surcharger les circuits électriques qui pourraient provoquer un incendie par surchauffe des fils. Il est recommandé de prévoir un circuit distinct pour alimenter uniquement pour cet appareil.



AVERTISSEMENT

Pour réduire le risque de choc électrique, ne installer pas le réfrigérateur dans un endroit mouillé ou humide.

Mise au sol

Pour éviter le bruit et les vibrations, l'appareil doit être mis à niveau et installé sur un plancher stable. Si nécessaire, ajuster les pieds de nivellement pour compenser les inégalités du sol. La face avant devrait être légèrement plus élevée que l'arrière pour faciliter la fermeture de la porte. Les pieds de nivellement peuvent être facilement tournés en inclinant légèrement le boîtier. Tourner les pieds de nivellement vers la droite pour soulever l'unité ou vers la gauche pour l'abaisser. (Voir Nivellement et alignement des portes).



REMARQUE

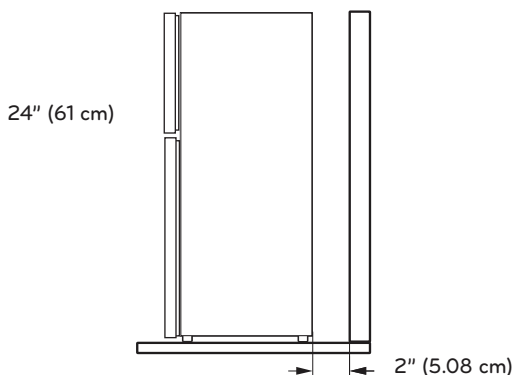
Il n'est pas recommandé d'installer le réfrigérateur sur de la moquette, une surface avec dalles souples, une plateforme ou une structure faiblement soutenue.

Température ambiante

Installer cet appareil dans un endroit où la température est comprise entre 55 °F (13 °C) et 110 °F (43 °C). Si la température autour de l'appareil est trop basse ou trop élevée, la capacité de refroidissement peut être affectée.

Mesure des espaces

Une distance trop réduite des éléments adjacents peut réduire la capacité de congélation et augmenter les charges de consommation d'électricité. Laisser au moins 24 pouces (61 cm) à l'avant du réfrigérateur pour ouvrir les portes et au moins 2 pouces (5,08 cm) entre l'arrière du réfrigérateur et le mur.



Retrait / Montage des portes

Quand il est nécessaire de déplacer le réfrigérateur par une étroite ouverture, en démontant les portes est la procédure recommandée.



AVERTISSEMENT

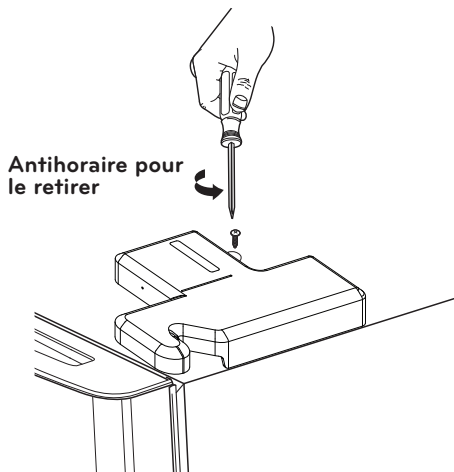
- Si votre porte d'entrée est trop étroite pour le réfrigérateur de passer à travers, retirez les portes de réfrigérateur et de déplacer le réfrigérateur latéralement à travers la porte.
- Utilisez deux ou plusieurs personnes pour enlever et installer les portes de réfrigérateur. Ne pas le faire peut conduire à dos ou d'autres blessures.
- Débrancher l'alimentation électrique du réfrigérateur avant l'installation. Ne pas le faire pourrait entraîner des blessures graves ou la mort.
- Ne pas mettre les mains, les pieds ou d'autres objets dans les orifices d'aération ou le fond du réfrigérateur. Vous pourriez vous blesser ou de recevoir un choc électrique.
- Soyez prudent lorsque vous manipulez la charnière et le bouchon. Vous pourriez vous blesser.
- Retirer les aliments et les bacs avant de détacher les portes et les tiroirs.

Outils nécessaires

- Clé à douille (10 mm ou 3/8 pouces).
- Tournevis Phillips.
- Tournevis à tête plate.
- Clé à molette.

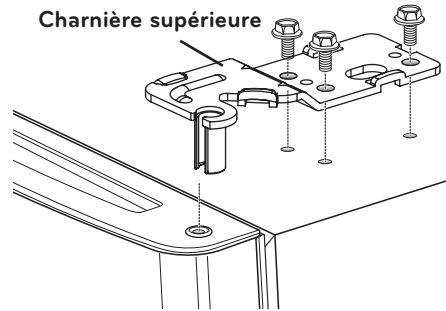
Retrait de la porte du congélateur

1. Retirez le couvercle de la charnière supérieure en utilisant un tournevis (Phillips).

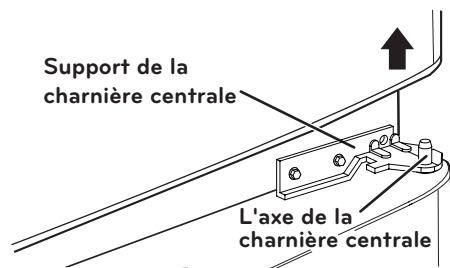


REMARQUE: Placez le couvercle de la charnière supérieure sur le coffret et assurez-vous de ne pas endommager les fils assemblés à elle.

2. Retirez les trois boulons avec soit un 10 mm ou clé à douille 3/8 pouces, et soulever la charnière supérieure. Définissez les pièces de côté.

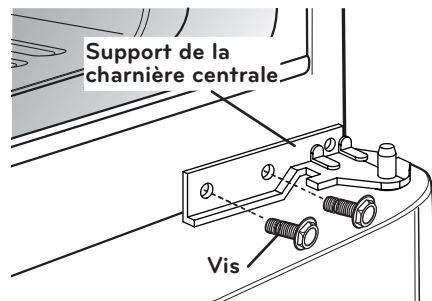


3. Soulevez délicatement la porte du congélateur du support de la charnière centrale. Placer la porte sur une surface non-grattage.

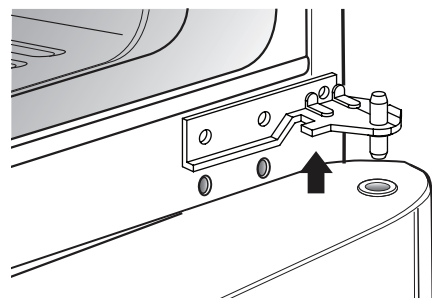


Retrait de la porte du réfrigérateur

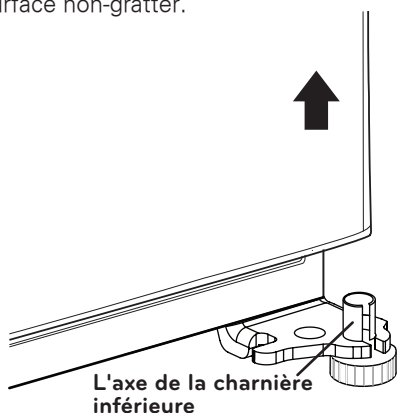
1. Desserrer et retirer les deux vis avec la clé à douille.



2. Retirez le support de la charnière centrale.

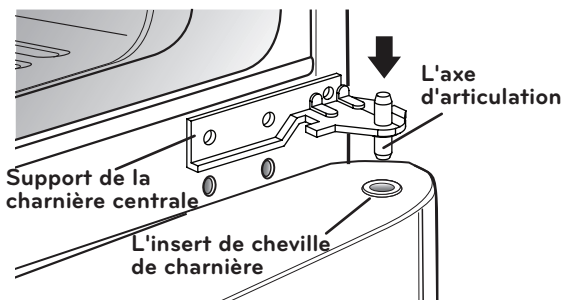


3. Soulevez délicatement la porte du réfrigérateur de l'axe de la charnière inférieure. Placez-le sur une surface non-gratter.

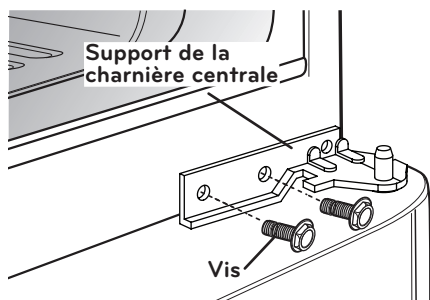


Montage de la porte du réfrigérateur

1. Abaissez la porte du réfrigérateur sur l'axe de la charnière inférieure.
2. Placer l'axe d'articulation de l'étrier de charnière centrale à l'intérieur de l'insert de cheville de charnière au-dessus de la porte. Tenir la porte en place et aligner le support de la charnière centrale avec les trous dans le boîtier du réfrigérateur.

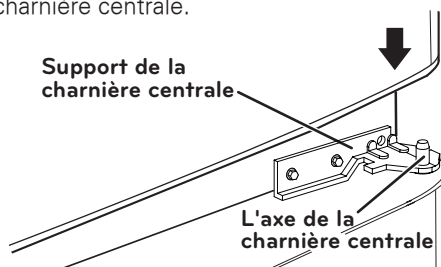


3. Insérez et serrez les deux boulons avec la clé à douille pour resserrer le support de la charnière centrale sur le boîtier du réfrigérateur.

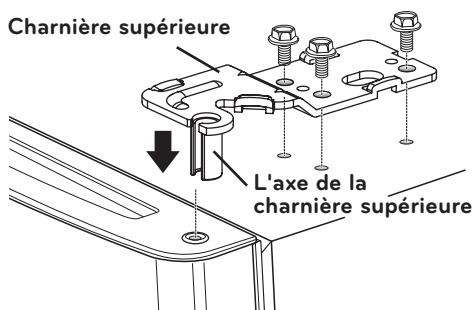


Montage de la porte du congélateur

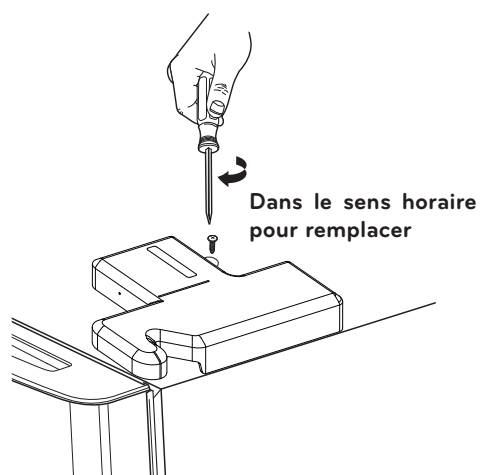
1. Réglez la porte du congélateur dans l'axe de la charnière centrale.



2. Placez la charnière supérieure dans le haut de la porte du congélateur et aligner la charnière supérieure avec les trous sur le dessus du réfrigérateur. Utilisez les trois boulons pour remplacer la charnière.



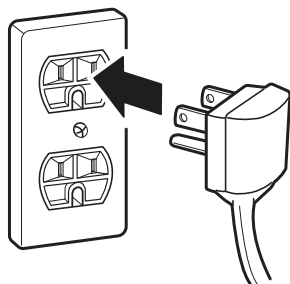
3. Placez délicatement le couvercle de la charnière supérieure en place sur la charnière et utiliser la vis pour le remplacer.



REMARQUE: Avant lieu le couvercle de la charnière supérieure assurez-vous que tous les fils ne sont pas pressés par la charnière du couvercle.

Mise sous tension

1. Brancher le réfrigérateur.



ATTENTION

- Connectez-vous à une sortie de puissance nominale.
- Demandez à un électricien certifié de vérifier la prise murale et que le câblage soit correctement mis à la terre.
- Ne endommager pas ni couper la borne de terre de la prise de courant.

REMARQUE

Avoir quelqu'un pousser le haut du réfrigérateur prend un peu de poids appliqué sur les pieds de nivellement, ce qui rend plus facile à régler.

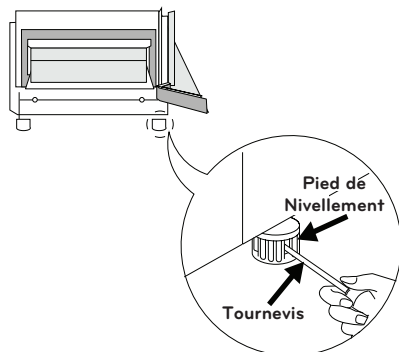
2. Re-ouvert les deux portes et vérifier qu'ils ferment facilement. Sinon, incliner légèrement le réfrigérateur vers l'arrière en tournant les deux pieds de nivellement vers la gauche. Ils peuvent être nécessaires plus de tours; devrait tourner les deux pieds réglables autant de fois.

Nivellement

Après l'installation, branchez le cordon d'alimentation du réfrigérateur dans une prise à 3 broches mise à la terre et poussez le réfrigérateur dans sa position finale.

Votre réfrigérateur a deux pieds de nivellement à l'avant - un sur la droite et un sur la gauche. Ajuster les pieds pour modifier l'inclinaison de l'avant vers l'arrière ou côte-à-côte. Si votre réfrigérateur semble instable, ou si vous voulez que les portes se ferment plus facilement, ajuster le l'inclinaison du réfrigérateur en utilisant les instructions ci-dessous :

1. Tourner le pied de nivellement vers la gauche pour soulever ce côté du réfrigérateur (↶) ou vers la droite pour le baisser (↷). Cela peut prendre plusieurs tours du pied de nivellement pour ajuster l'inclinaison du réfrigérateur.



MODE D'EMPLOI

Avant l'utilisation



Nettoyer le réfrigérateur.

Nettoyez votre réfrigérateur à fond et enlevez toute la poussière qui s'est accumulée pendant le transport.

! ATTENTION

- Ne gratter pas le réfrigérateur avec un objet pointu et ne utiliser pas un détergent qui contienne de l'alcool, du liquide inflammable ou une substance abrasive pour retirer le ruban adhésif ou la colle du réfrigérateur.
- Ne retirer pas le modèle ou le numéro de série ou les informations techniques sur la surface arrière du réfrigérateur.

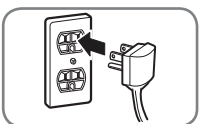
! REMARQUE

Enlever les résidus de colle frottant avec le pouce ou de détergent à vaisselle.



Ouvrir les portes du réfrigérateur pour ventiler l'intérieur.

L'intérieur du réfrigérateur peut dégager une odeur de plastique au début. Enlever tout ruban adhésif de l'intérieur du réfrigérateur et ouvrir les portes du réfrigérateur et les tiroirs du congélateur pour la ventilation.



Brancher l'alimentation.

- Vérifier que l'alimentation soit connectée avant l'utilisation.
- Lire la section "Mise sous tension".

Attendre que le réfrigérateur refroidisse.

Laissez votre réfrigérateur en marche pendant au moins deux à trois heures avant d'y mettre des aliments. Vérifiez le flux d'air froid dans le compartiment congélateur pour assurer un refroidissement correct.

! ATTENTION

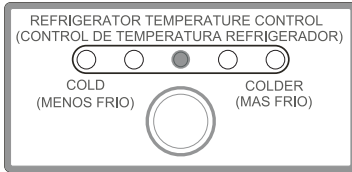
Attendez que les aliments aient refroidi avant de les placer dans le réfrigérateur, sinon ils pourraient se gâter ou laisser une mauvaise odeur tenace à l'intérieur du réfrigérateur.

Le réfrigérateur émet un bruit fort après la mise en marche initiale.

Ceci est normal. Le volume diminue à mesure que la température baisse.

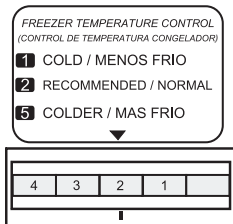
Panneau de commande

Caractéristiques du panneau de commande



Panneau de commande du réfrigérateur

Contrôle de la température du compartiment de réfrigération. Appuyez sur le bouton jusqu'à ce que la configuration désirée (1-5).



Panneau de commande du congélateur

Contrôle le flux d'air froid à la congélation du réfrigérateur. Pour repositionner le contrôle, impulselo côté pour tourner. La flèche indique le niveau de température qui est votre congélateur (1-5).

Réglez les contrôles de température en fonction de la quantité de nourriture stockée, utilisez le tableau ci-dessous pour référence:

Quantité de nourriture stockée			
Contrôle:	Grande Quantité	Regulière Quantité	Petite Quantité
Congélateur			
Refrigérateur	<p>Appuyez sur jusqu'à la cinquième lumière vient sur</p>	<p>Appuyez jusqu'à ce que la troisième lumière est allumée</p>	<p>Appuyez jusqu'à ce que la première lumière vient sur</p>

! REMARQUE

Veillez à ne pas entraver ou de déplacer les contrôles de température de la nourriture, car cela peut modifier ou ignorer le niveau de température qui est son réfrigérateur.

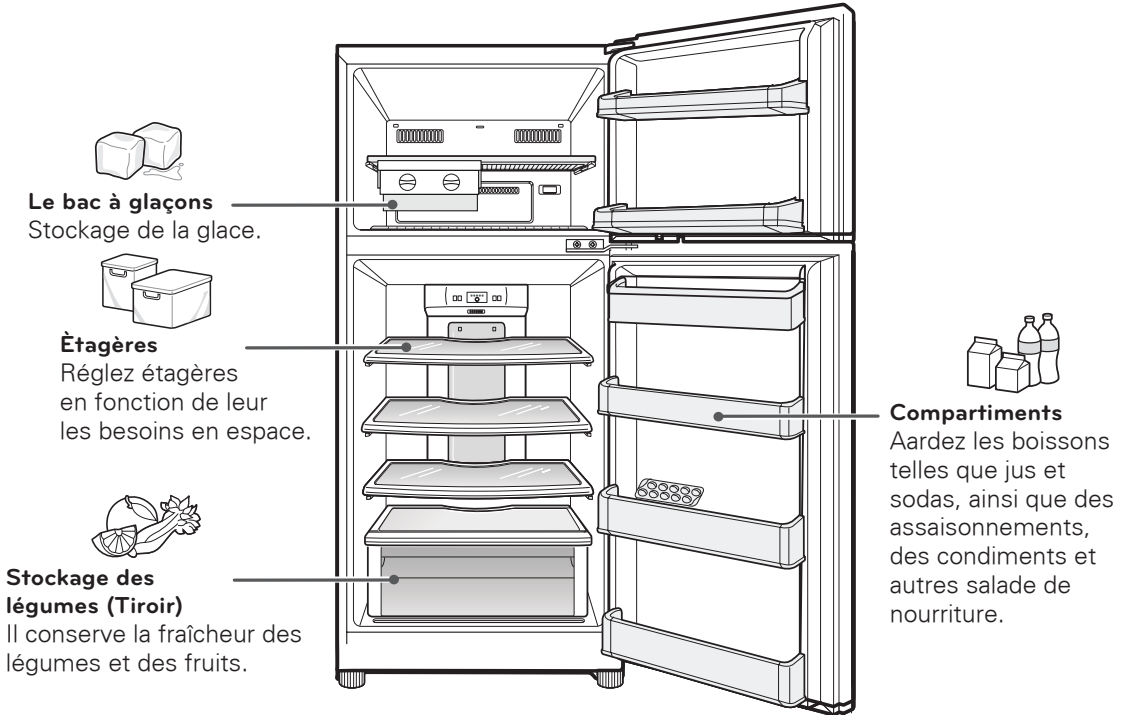
! REMARQUE

Lorsque la commande de température du congélateur est positionné au numéro 5, vous pouvez générer le compartiment réfrigérateur ne refroidit pas que le client veut, surtout si elle est lourdement chargé avec de la nourriture ou une journée chaude.

Stockage des aliments

Lieu de conservation des aliments

Chaque compartiment à l'intérieur du réfrigérateur est conçu pour stocker différents types de nourriture. Rangez vos aliments dans l'espace optimal pour profiter d'un goût plus frais.



ATTENTION

- Ne stockez pas d'aliments avec une haute teneur en eau vers le haut du réfrigérateur. L'humidité pourrait entrer en contact direct avec l'air froid et geler.
- Lavez les aliments avant de les stocker dans le réfrigérateur. Les fruits et légumes doivent être lavés, et les emballages alimentaires doivent être essuyés pour empêcher les aliments voisins d'être contaminés.
- Si le réfrigérateur est rangé dans un lieu chaud et humide, l'ouverture fréquente de la porte ou le stockage d'un grand nombre de légumes dans le réfrigérateur peut provoquer la formation de condensation. Essayez la condensation avec un chiffon propre ou une serviette en papier.
- Si la porte du réfrigérateur est ouvert ou fermé trop souvent, l'air chaud peut pénétrer dans le réfrigérateur et en élever la température. Ceci peut augmenter les coûts de fonctionnement de l'unité.
- Ne trop pas remplir ou emballer les articles trop serré dans des bacs de porte. Cela peut causer des dommages à la poubelle ou de blessures si les articles sont enlevés avec une force excessive.
- Ne entreposer pas les contenants de verre dans le congélateur. Le contenu peut étendre en cas de gel et de briser le récipient, provoquant risque de blessure.



REMARQUE

- Si vous vous absentez pour une courte période, comme pour de petites vacances, il est conseillé de laisser le réfrigérateur allumé. Les aliments réfrigérés pouvant être congelés resteront conservés plus longtemps s'ils sont stockés dans le congélateur.
- Si vous laissez le réfrigérateur éteint pendant une longue période de temps, enlevez tous les aliments et débranchez le cordon d'alimentation. Nettoyez l'intérieur, et laissez la porte ouverte pour empêcher les moisissures de se développer dans le réfrigérateur.

Conseils de stockage des aliments

Les conseils suivants peuvent ne pas s'appliquer à tous les modèles.

Emballez ou stockez les aliments dans le réfrigérateur dans des emballages étanches à l'air et à l'humidité sauf indication contraire. Cela empêchera la propagation des odeurs et des goûts à l'ensemble du réfrigérateur. Pour les produits possédant une date de péremption, vérifiez le code de date pour en garantir la fraîcheur.

Aliments	Conservation
Beurre ou margarine	Gardez le beurre ouvert dans un plat couvert ou un compartiment fermé. Emballez et congélez les mottes supplémentaires.
Fromage	Conservez dans son emballage original jusqu'à consommation. Une fois ouvert, remballer dans un emballage en plastique ou dans une feuille d'aluminium.
Lait	Essuyez les cartons de lait. Pour que le lait soit plus froid, placez-le sur une étagère intérieure.
Oeufs	Pour une meilleure conservation, placez-les dans leur boîte d'origine sur l'étagère à l'intérieur et non contre la porte.
Fruits	Consommez les fruits immédiatement après les avoir lavés ou pelés. Triez et conservez-les dans leur emballage d'origine, dans un bac à légumes, ou dans un sac en papier bien fermé sur une étagère du réfrigérateur.
Légumes à feuilles	Retirez l'emballage du magasin et coupez ou retirez les zones abîmées ou décolorées. Lavez à l'eau froide et égouttez. Rangez dans un sac ou un récipient en plastique et placez-le dans le bac à légumes.
Légumes à peau (carottes, poivrons)	Rangez dans un sac ou un récipient en plastique et placez-le dans le bac à légumes.
Poisson	Conservez le poisson frais et les coquillages dans le compartiment congélateur s'ils ne peuvent être consommés le jour de l'achat.
Restes	Recouvrez les restes de film plastique ou d'aluminium, ou rangez-les dans des récipients en plastique avec couvercle hermétique.

Stockage d'aliments congelés



REMARQUE

Consultez un guide de congélateur ou un livre de cuisine fiable pour plus d'informations sur la préparation des aliments à la congélation ou les temps de stockage des aliments.

Congélation

Votre congélateur ne congèlera pas rapidement une grande quantité d'aliments. Ne placez pas plus d'aliments dans le congélateur que celui-ci peut congeler en 24h (pas plus de 1 à 2 kg d'aliments pour 30 L d'espace). Laissez suffisamment d'espace pour que l'air circule autour des paquets, et pour que la porte ferme bien.

Les temps de stockage varieront en fonction de la qualité et du type de nourriture, du type d'emballage ou de sachet utilisé (protection contre l'air et l'humidité) et la température de stockage. Les cristaux de glace qui se forment à l'intérieur d'un paquet scellé sont normaux. Cela signifie simplement que l'humidité contenue dans les aliments et dans l'air à l'intérieur du paquet s'est condensée, formant des cristaux de glace.



REMARQUE

Laissez les aliments chauds refroidir à température ambiante pendant 30 minutes, puis emballez-les avant de les congeler. Cela permet d'économiser de l'énergie.

Emballage

La réussite de la congélation dépend de l'emballage correct. Lorsque vous fermez et scellez le paquet, celui-ci doit être étanche à l'air et à l'humidité. Dans le cas contraire, les odeurs et les goûts se propageront dans le réfrigérateur et les aliments peuvent sécher.

Recommandations d'emballage:

- Récipients en plastique rigide avec couvercles hermétiques.
- Pots de conserve/congélation aux bords droits.
- Feuille d'aluminium extra-résistante.
- Papier plastifié.
- Sachets plastique imperméables.
- Sacs plastiques auto adhésifs pour congélation.

Suivez les consignes sur l'emballage ou le récipient pour réussir la congélation.

Ne utiliser pas:

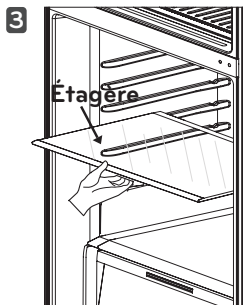
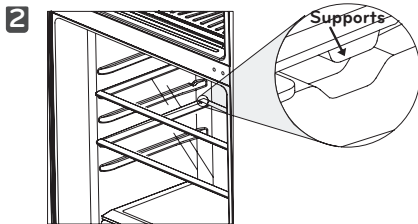
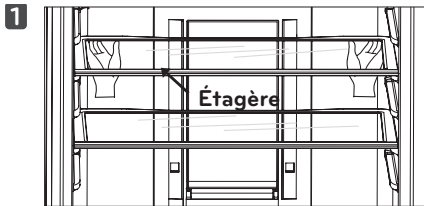
- Poches à pain.
- Récipients en plastique autre que le polyéthylène.
- Récipients sans couvercle hermétique.
- Papier ciré ou sachet de congélation ciré.
- Sachet fin semi-perméable.

Réglage des étagères

Les étagères de votre réfrigérateur sont réglables pour répondre à vos besoins. Ajustez les étagères en fonction de la taille des éléments pour retrouver vos aliments plus facilement. Cela permettra de réduire le temps pendant lequel la porte du réfrigérateur reste ouverte, ce qui vous fera économiser de l'énergie.

Retrait de l'étagère

1. Soulevez l'arrière de l'étagère par dessous.
2. Appliquez une force suffisante pour soulever l'étagère et la dégager des supports.
3. Glissez l'étagère vers l'avant pour la retirer complètement.



! AVERTISSEMENT

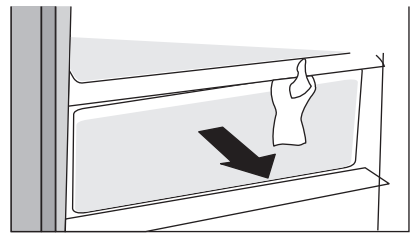
- Ne lavez pas les étagères en verre encore froides avec de l'eau chaude. Celles-ci pourraient se briser si elles sont exposées à des changements soudains de température ou à des impacts.
- Les étagères en verre sont lourdes. Prenez des précautions lorsque vous les retirez.

Bacs à légume

Les bacs à légume permettent de conserver le goût des fruits et des légumes.

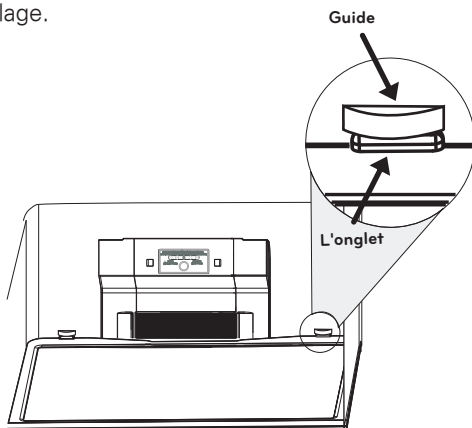
Pour retirer le bac à légumes:

1. Pour enlever le bac, tirez sur l'extension complète, soulever l'avant et tirer tout droit.
2. Pour remplacer le bac, inclinez légèrement le front, insérez le tiroir dans le cadre, et poussez-le en place.



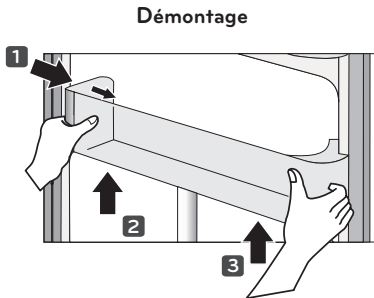
L'assemblage de la grill

1. Glissez le grill sur les rails jusqu'à ce qu'il arrête.
2. Appuyez doucement sur le dos de la crémaillère de le placer sous le guide.
3. Vérifiez que l'onglet est positionné en dessous du guide pour fixer le support de assemblage.

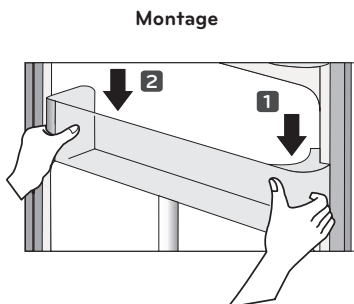


Montage et le démontage de la Porte du Compartiment

Pour démonter, première met la pression sur la face latérale gauche **1** pousser vers le haut de ce côté **2**, passez à côté droit de supprimer complètement **3**.



Pour assembler, placer d'abord votre main droite sur le réfrigérateur de guidage **1** et de procéder à la gauche de rejoindre complètement **2**.

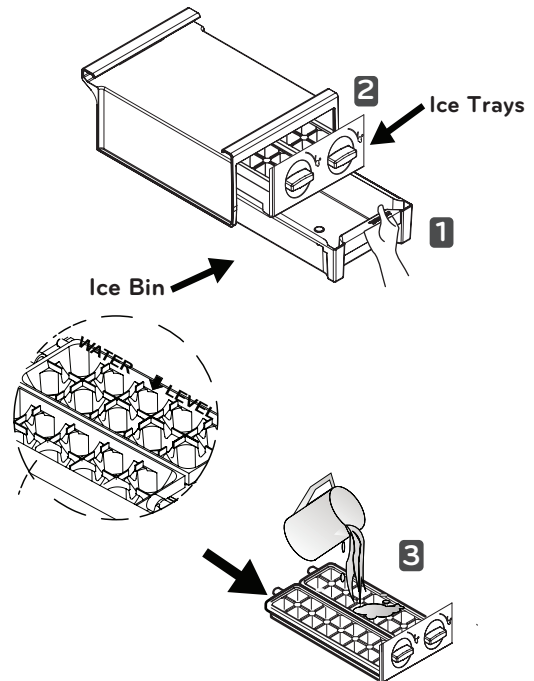


⚠ AVERTISSEMENT

- Ne forcez pas trop pour retirer ou installer les bacs de stockage.
- Ne passez pas les bacs de stockage et étagères au lave-vaisselle.
- Retirez régulièrement les bacs de stockage et les étagères pour les laver, car les aliments peuvent facilement les contaminer.

Machine à glaçons

1. Le bac à glaçons doit être enlevé afin de retirer des plateaux de glace.
2. Une fois le bac à glaçons est retiré, retirez les plateaux de glace.
3. Remplir des bacs à glaçons jusqu'au niveau indiqué.



4. Placez le bac à glaçons et des bacs à glaçons de retour dans la machine à glaçons et attendre cubes de glace pour geler.
5. Boutons de tourner vers la droite pour déplacer les cubes de glace dans le bac à glaçons.
6. Machine à glaçons peut être déplacé d'un côté à l'autre en fonction des besoins de stockage individuels.

ENTRETIEN

Nettoyage

- Les compartiments réfrigérateur et congélateur dégivrent automatiquement; cependant, nettoyez les deux compartiments environ une fois par mois pour éviter les odeurs.
- Essuyez immédiatement en cas de déversement.
- Débranchez toujours le réfrigérateur avant le nettoyage.

Conseils généraux de nettoyage

- Débranchez le réfrigérateur ou coupez l'alimentation.
- Retirez toutes les pièces amovibles, telles que les étagères, bacs à légumes, etc.
- Utilisez une éponge propre ou un chiffon doux et un détergent léger avec de l'eau chaude. N'utilisez pas de paille de fer ou de nettoyeurs abrasifs.
- Lavez à la main, rincez et séchez toutes les surfaces consciencieusement.

Extérieur

Le cirage des surfaces métalliques extérieures peintes permet de fournir une protection contre la rouille. Ne cirez pas les pièces en plastique. Cirez les surfaces métalliques peintes au moins deux fois par an avec de la cire pour appareils (ou de la cire à application automatique). Appliquez la cire avec un chiffon propre et doux.

Pour les appareils dont l'extérieur est en acier inoxydable, utilisez une éponge propre ou un chiffon doux et un détergent léger avec de l'eau chaude. N'utilisez pas de paille de fer ou de nettoyeurs abrasifs. Séchez consciencieusement avec un chiffon doux.



ATTENTION

- N'utilisez pas de chiffon rugueux ou d'éponge lors du nettoyage de l'intérieur et l'extérieur du réfrigérateur.
- Ne placez pas vos mains sur la surface inférieure du réfrigérateur lorsque vous l'ouvrez ou le fermez.



AVERTISSEMENT

Utilisez un produit nettoyant non inflammable. Risque de mort, d'explosion ou d'incendie.

Parois intérieures (laissez le congélateur réchauffer pour que le chiffon ne reste pas collé)

Pour éliminer les odeurs, vous pouvez laver l'intérieur du réfrigérateur avec un mélange de bicarbonate de sodium et d'eau chaude. Mélangez-en 2 cuillères à soupe (26 g) à un litre d'eau. Assurez-vous qu'il soit complètement dissous pour ne rayer pas les surfaces.

Revêtement et joints de la porte

Utilisez une éponge propre ou un chiffon doux et un détergent léger avec de l'eau chaude. N'utilisez pas les cires de nettoyage, les détergents concentrés, l'eau de Javel ou les produits nettoyants contenant des dérivés de pétrole sur les pièces en plastique du réfrigérateur.

Pièces en plastique

Utilisez une éponge propre ou un chiffon doux et un détergent léger avec de l'eau chaude. N'utilisez pas de spray pour fenêtres, de nettoyeurs abrasifs ou de liquides inflammables. Ceux-ci peuvent rayer ou endommager le matériel.

Changement de la lampe (LED)

REMARQUE: Retirez pas la lampe, ne peuvent être enlevés par un technicien qualifié.

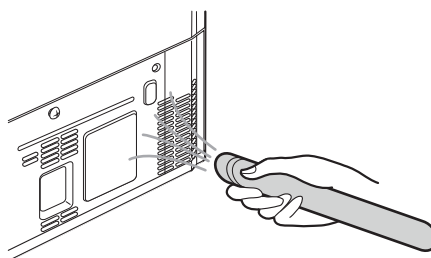


AVERTISSEMENT

En cas de remplacement, la nouvelle lampe doit être le même cahier des charges que l'original.

Serpentins du condenseur

Utiliser un aspirateur avec un accessoire pour nettoyer le couvercle du condenseur et ses événements. Ne retirer pas le panneau qui recouvre la zone du condenseur.



DÉPANNAGE

Consultez la section Dépannage avant d'appeler le dépannage, vous économiserez ainsi du temps et de l'argent.

Problème	Causes possibles	Solutions
Les compartiments réfrigérateur et congélateur ne refroidissent pas.	Le mode du réfrigérateur est sur OFF (certains modèles).	Basculez le mode sur ON. Référez-vous à la section Panneau de commande pour consulter les réglages de température corrects.
	Le réfrigérateur est en mode dégivrage.	Pendant le cycle de dégivrage, la température des compartiment peut augmenter légèrement. Attendez 30 minutes et vérifiez que la température correcte est revenue à la fin du cycle de dégivrage.
	Le réfrigérateur vient d'être installé.	Chaque compartiment peut nécessiter jusqu'à 24h pour atteindre la température souhaitée.
	Le réfrigérateur vient d'être déménagé.	Si le réfrigérateur était stocké depuis longtemps ou a été transporté sur le côté, laissez-le debout pendant 24h avant le branchement de la prise.
Le système de refroidissement fonctionne trop souvent.	Le réfrigérateur remplace un ancien modèle.	Les réfrigérateurs modernes nécessitent plus de temps de fonctionnement mais consomment moins d'énergie car la technologie est plus efficace.
	Le réfrigérateur vient juste d'être branché ou le courant vient de revenir.	Le réfrigérateur prendra jusqu'à 24h pour refroidir correctement.
	Portes ouvertes fréquemment ou une grande quantité d'aliments ou des aliments chauds ont été ajoutés.	L'ajout d'aliments ou l'ouverture de la porte réchauffe le réfrigérateur, prolongeant le temps de fonctionnement du compresseur pour refroidir le compartiment. Afin de conserver l'énergie, essayez de récupérer tout ce qu'il vous faut en même temps, maintenez les aliments organisés pour qu'il soit plus facile de les retrouver et refermez les portes dès que vous avez retiré les aliments (Référez-vous au Stockage des aliments).
	Les portes ne sont pas complètement fermées.	Poussez fermement les portes pour les fermer. Si elles ne se ferment pas complètement, consultez la partie Les portes ne ferment pas correctement ou s'ouvrent d'elles-mêmes dans la partie Dépannage.
	Le réfrigérateur est installé dans un lieu chaud.	Le compresseur est actif plus longtemps lorsque le temps est chaud. À température ambiante normale 21 °C (70 °F), votre compresseur fonctionnera entre 40% et 80% du temps. S'il fait plus chaud, il fonctionnera encore plus fréquemment. Ne le mettez pas en marche lorsque la température dépasse 43 °C (110 °F).
	Le condensateur / couvercle arrière est obstrué.	Utilisez un aspirateur muni d'un embout pour nettoyer la protection du condensateur et la ventilation. Ne ôter pas le panneau recouvrant la bobine du condensateur.
Le compartiment réfrigérateur ou congélateur est trop chaud.	Le réfrigérateur vient d'être installé.	Chaque compartiment peut nécessiter jusqu'à 24h pour atteindre la température souhaitée.
	Les aérations sont bouchées. De l'air froid circule du congélateur vers la section des aliments frais et revient en passant par les aérations dans la paroi divisant les deux sections.	Localisez les aérations en utilisant vos mains pour sentir le flux d'air et déplacez les paquets bloquant les aérations et bloquant le flux. Réorganisez les aliments pour laisser passer l'air dans l'ensemble du compartiment.
	Les portes sont ouvertes souvent ou pendant longtemps.	Lorsque les portes sont ouvertes fréquemment ou pendant longtemps, de l'air chaud et humide pénètre dans le compartiment. Cela augmente la température et le niveau d'humidité dans le compartiment. Pour diminuer l'effet, limitez la fréquence et la durée des ouvertures de porte.

Problème	Causes possibles	Solutions
Le compartiment réfrigérateur ou congélateur est trop chaud.	L'appareil est installé dans un lieu chaud.	Le réfrigérateur ne doit pas être mis en marche lorsque la température est au-dessus de 43 °C (110 °F).
	Une grande quantité d'aliments ou des aliments chauds ont été introduits dans l'un des compartiments.	L'ajout d'aliments réchauffe le compartiment, et active le système de refroidissement. L'effet sera réduit si vous laissez les aliments chauds refroidir à température ambiante avant de les mettre au réfrigérateur.
	Les portes ne sont pas correctement fermées.	Voir la section Les portes ne ferment pas correctement ou s'ouvrent d'elles-mêmes dans la partie Dépannage.
	Le contrôle de température n'est pas réglé correctement.	Si la température est trop chaude, ajustez le contrôle un pas à la fois et attendez que la température se stabilise. Référez-vous à la section Panneau de commande pour plus d'informations.
	Le cycle de dégivrage vient de se terminer.	Pendant le cycle de dégivrage, la température de chaque compartiment peut augmenter légèrement et de la condensation peut se former sur la paroi arrière. Attendez 30 minutes et vérifiez que la température correcte est revenue à la fin du cycle de dégivrage.
Accumulation d'humidité à l'intérieur.	Les portes sont ouvertes souvent ou pendant longtemps.	Lorsque les portes sont ouvertes fréquemment ou pendant longtemps, de l'air chaud et humide pénètre dans le compartiment et augmente la température et le niveau d'humidité dans le compartiment. Pour diminuer l'effet, limitez la fréquence et la durée des ouvertures de porte.
	Les portes ne sont pas correctement fermées.	Voir la section Les portes ne ferment pas correctement ou s'ouvrent d'elles-mêmes dans la partie Dépannage.
	Le temps est humide.	Le temps humide facilite la formation de condensation ou de givre dans les compartiments lorsque les portes sont ouvertes. En maintenant un niveau raisonnable d'humidité dans votre logement, vous pourrez contrôler le degré d'humidité pouvant entrer.
	Le cycle de dégivrage vient de se terminer.	Pendant le cycle de dégivrage, la température des compartiments peut augmenter légèrement et de la condensation peut se former sur la paroi arrière. Attendez 30 minutes et vérifiez que la température correcte est revenue à la fin du cycle de dégivrage.
	Les aliments ne sont pas emballés correctement.	Les aliments sont stockés sans couvercle ni emballage, et les récipients mouillés peuvent entraîner l'accumulation d'humidité dans les compartiments. Essayez les récipients et rangez les aliments dans des emballages fermés pour éviter la condensation et le givre.
Les aliments congèlent dans le compartiment réfrigérateur.	Des aliments possédant un niveau d'eau élevé sont rangés près d'une aération.	Réorganisez les éléments à forte teneur en eau loin des aérations.
	Le réglage de la température du réfrigérateur n'est pas effectué correctement.	Si la température est trop froide, ajustez le contrôle un pas à la fois et attendez que la température se stabilise. Référez-vous à la section Panneau de commande pour plus d'informations.
	Le réfrigérateur est installé dans un lieu froid.	Lorsque le réfrigérateur est mis en marche dans des températures en-dessous de 5 °C (41 °F), les aliments peuvent congeler dans le compartiment réfrigérateur. Ne le mettez pas en marche lorsque la température est en-dessous de 13 °C (55 °F).
Du givre ou des cristaux de glace se forment sur les aliments congelés (à l'extérieur des paquets).	Les portes sont ouvertes souvent ou pendant longtemps.	Lorsque les portes sont ouvertes fréquemment ou pendant longtemps, de l'air chaud et humide pénètre dans le compartiment et entraîne la formation de givre et de condensation. Pour diminuer l'effet, limitez la fréquence et la durée des ouvertures de porte.
	La porte n'est pas correctement fermée.	Voir la section Les portes ne ferment pas correctement ou s'ouvrent d'elles-mêmes dans la partie Dépannage.

Problème	Causes possibles	Solutions
Le compartiment réfrigérateur ou congélateur est trop froid.	Réglage incorrect de la commande de température.	Si la température est trop froide, ajustez le contrôle un pas à la fois et attendez que la température se stabilise. Référez-vous à la section Panneau de commande pour plus d'informations.
Du givre ou des cristaux de glace se forment sur les aliments congelés (à l'intérieur de paquets fermés).	La condensation issue des aliments à forte teneur en eau a gelé à l'intérieur du paquet.	Ceci est normal pour ce type d'aliments.
	Des aliments sont restés trop longtemps au congélateur.	Ne conservez pas des aliments à niveau d'eau important pendant de longues périodes au congélateur.
Les glaçons ont un mauvais goût ou une mauvaise odeur.	Les aliments ne sont pas correctement rangés dans les compartiments.	Remballer les aliments. Les odeurs peuvent se propager vers les glaçons si les aliments ne sont pas correctement emballés.
	Le bac de stockage des glaçons doit être nettoyé.	Videz et lavez le bac (jetez les vieux glaçons). Assurez-vous que le bac est complètement sec avant de le réinstaller.
Les portes ne ferment pas correctement ou s'ouvrent d'elles-mêmes.	Des paquets d'aliments bloquent la fermeture de la porte.	Réorganisez les récipients alimentaires pour dégager la porte et les étagères.
	Le bac à glaçons, le couvercle du bac à légume, les plateaux, les étagères ou les paniers sont mal positionnés.	Poussez les bacs jusqu'au bout et placez les couvercles du bac à ux, les légumes, les plateaux étagères et les paniers en position correcte. Voir la section Mode d'emploi pour plus d'informations.
	Le réfrigérateur n'est pas correctement nivelé.	Voir Nivellement dans la section Installation pour le niveler.
Les portes sont difficiles à ouvrir.	Les joints sont sales ou collants.	Nettoyez les joints et les surfaces qu'ils touchent. Frottez une fine couche de vernis pour appareils ou de cire de cuisine sur les joints après nettoyage.
	La porte vient d'être fermée.	Lorsque vous ouvrez la porte, de l'air chaud entre dans le réfrigérateur. À mesure que l'air chaud se refroidit, cela peut créer un vide. Si la porte est difficile à ouvrir, attendez une minute pour laisser la pression de l'air s'équilibrer, puis tentez de nouveau.
Le réfrigérateur oscille ou semble instable.	Les pieds de nivellement ne sont pas.	Référez-vous à la section Nivellement.
	Le sol n'est pas régulier.	Il peut être nécessaire d'ajouter des cales sous les pieds de nivellement ou des roues pour compléter l'installation.
L'éclairage ne fonctionne pas.	Panne des diodes d'éclairage de l'intérieur.	L'éclairage du compartiment réfrigérateur est composé de diodes internes, et le dépannage doit être réalisé par un technicien qualifié.
L'intérieur du réfrigérateur est couvert de poussière ou de suie.	Le réfrigérateur est situé près d'une source de feu, comme un foyer, une cheminée ou une bougie.	Assurez-vous que le réfrigérateur n'est pas situé près d'une source de feu, comme un foyer, une cheminée ou une.
Cliquetis	Le contrôle du dégivrage émettra un clic lorsque le cycle de dégivrage automatique commence et prend fin. Le contrôle du thermostat (ou le contrôle du réfrigérateur, selon le modèle) cliquera aussi lors des changements de cycle.	Fonctionnement normal.

Problème	Causes possibles	Solutions
Craquements.	Des bruits de vibration peuvent provenir du flux de liquide réfrigérant ou des éléments stockés au-dessus ou à côté du réfrigérateur.	Fonctionnement normal.
	Le réfrigérateur ne repose pas fermement sur le sol.	Le sol est faible ou irrégulier, ou les pieds de nivellement doivent être ajustés. Voir la section Nivellement.
Grincement.	Moteur du ventilateur de l'évaporateur faisant circuler l'air entre les compartiments réfrigérateur et congélateur.	Fonctionnement normal.
	Air forcé vers le condensateur par le ventilateur.	Fonctionnement normal.
Gargouillis.	Liquide de réfrigération circulant à travers le système de refroidissement.	Fonctionnement normal.
Pop.	Contraction et expansion des parois internes en raison des changements de température.	Fonctionnement normal.
Grésillement.	Eau qui goutte sur le radiateur lors d'un cycle de dégivrage.	Fonctionnement normal.
Vibrations.	Si le côté ou l'arrière du réfrigérateur touche un placard ou un mur, certaines des vibrations normales créeront un son audible.	Pour éliminer le bruit, assurez-vous que les côtés et l'arrière ne peuvent pas vibrer contre un mur ou un placard.
Bruit de goutte.	Eau en cours d'évacuation pendant le cycle de dégivrage.	Fonctionnement normal.
Bruit de pulsation ou strident.	Votre réfrigérateur est conçu pour fonctionner plus efficacement pour conserver vos aliments à la température souhaitée. Le compresseur à haute performance peut améliorer la longévité de votre réfrigérateur, mais il a aussi besoin de plus d'énergie que les anciens modèles. Lors du fonctionnement du réfrigérateur, il est normal d'entendre des bruits de pulsations ou des bruits stridents.	Fonctionnement normal.

SMART DIAGNOSIS^{MC}

(Diagnostic Intelligent)



Si vous rencontrez des difficultés techniques avec votre réfrigérateur, celui-ci a la capacité de transmettre des données à travers votre téléphone Centre de dépannage LG. Cela vous donne la possibilité de parler directement à l'un de nos techniciens spécialisés. Le technicien enregistre les données transmises depuis votre machine et s'en servira pour analyser le problème et fournir un diagnostic rapide et efficace.

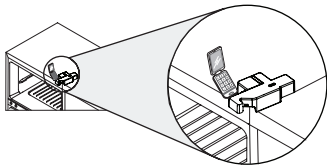
Si vous rencontrez des problèmes avec votre réfrigérateur, appelez le 1-800-243-0000 pour les USA (1-888-542-2623 pour le Canada). N'utilisez la fonctionnalité Smart Diagnosis^{MC} (Diagnostic Intelligent) que sur instruction de l'agent du centre d'appel LG. Les bruits de transmission que vous entendrez sont normaux et ressemblent à ceux d'un fax.

Smart Diagnosis^{MC} (Diagnostic Intelligent) ne peut être activé que lorsque votre réfrigérateur est branché à l'alimentation. Si votre réfrigérateur ne peut pas s'allumer, le dépannage devra être réalisé sans la fonction Smart Diagnosis^{MC} (Diagnostic Intelligent).

Utiliser Smart Diagnosis^{MC} (Diagnostic Intelligent)

Appelez tout d'abord, appelez le 1-800-243-0000 pour les USA (1-888-542-2623 pour le Canada). N'utilisez la fonctionnalité Smart Diagnosis^{MC} (Diagnostic Intelligent) que sur instruction de l'agent du centre d'appel LG.

1. Ouvrez la porte du réfrigérateur et fermer une fois, puis ouvrez 5 fois sur une période de 8 secondes, maintenant la fonction SMART DIAGNOSIS^{MC} est actif.
2. Immédiatement placer le téléphone près de la situé dans le haut-parleur en haut à droite, confirmer le haut-parleur (microphone) est le téléphone vers le haut-parleur, 4 bips courts retentissent et l'avertisseur sonore ne doit pas plus de 8 secondes.



3. Tenez le téléphone en place jusqu'à la fin de la tonalité d'émission. Une fois que la transmission est terminée et les tons ont cessé, continuer votre conversation avec le spécialiste, qui peut ensuite aider en utilisant les informations transmises pour analyse.

REMARQUE

- Pour de meilleurs résultats, ne bougez pas le téléphone lors de la transmission des tonalités.
- Si l'agent du centre d'appel ne réussit pas à obtenir un enregistrement précis des données, vous devrez recommencer.
- Les différences de qualité d'appel entre les régions peuvent affecter cette fonctionnalité.
- Utilisez un téléphone fixe pour permettre une meilleure communication et obtenir un meilleur dépannage.
- La mauvaise qualité des appels peut entraîner une mauvaise transmission des données de votre téléphone vers la machine et causer un dysfonctionnement du Smart Diagnosis^{MC}.

LG ELECTRONICS CANADA, INC.
GARANTIE LIMITÉE DES RÉFRIGÉRATEURS LG - Canada

GARANTIE : Si, au cours de la période de garantie indiquée ci-dessous, votre réfrigérateur LG ("Produit") tombe en panne suite à un défaut de fabrication ou de main d'œuvre dans le cadre d'une utilisation normale, LG Canada s'engage à réparer ou à remplacer le Produit à sa discrétion, sur présentation d'une preuve d'achat d'origine. Cette garantie ne s'applique qu'à l'acheteur initial du Produit et uniquement si celui-ci a été acheté au Canada auprès de LG Canada ou d'un distributeur agréé au Canada. La garantie ne s'applique que si le Produit est situé et utilisé au Canada.

PÉRIODE DE GARANTIE : (Remarque : dans le cas où la date d'achat initial ne peut pas être vérifiée, la garantie commence soixante (60) jours après la date de fabrication).			
Réfrigérateur/Congélateur	Système scellé (condensateur, sèche-linge, tuyau de raccordement, réfrigérant et évaporateur)		Compresseur inverseur
Un (1) an à compter de la date d'achat initial	Un (1) an à compter de la date d'achat initial	Sept (7) ans à compter de la date d'achat initial.	Dix (10) ans à compter de la date d'achat initial.
Pièces et main-d'œuvre (pièces internes/ fonctionnelles uniquement)	Pièces et main-d'œuvre	Pièces uniquement (la main-d'œuvre sera facturée au client)	Pièces uniquement (la main-d'œuvre sera facturée au client)

Le bruit lié au fonctionnement normal, ne respecter pas les instructions dans le Guide d'utilisation et d'entretien et la panne fonctionnelle de cet appareil pour une utilisation dans un environnement inadapté, ne être pas couvertes par cette garantie.

- ▶ Les pièces et Produits de rechange sont garantis pour la durée restante de la garantie initiale ou quatre-vingt-dix (90) jours, la durée la plus longue prévalant.
- ▶ Les pièces et Produits de rechange peuvent être neufs ou réusinés.
- ▶ Le centre de réparation agréé LG garantit ses travaux de réparation trente (30) jours.

LA RESPONSABILITÉ DE LG CANADA SE LIMITE EXCLUSIVEMENT À LA GARANTIE EXPOSÉE CI-DESSUS. À L'EXCEPTION DE CE QUI EST EXPRESSÉMENT STIPULÉ CI-DESSUS, LG CANADA DÉCLINE TOUTE AUTRE GARANTIE ET CONDITION CONCERNANT LE PRODUIT, EXPLICITE OU IMPLICITE, Y COMPRIS, MAIS SANS S'Y LIMITER, TOUTE GARANTIE OU CONDITION IMPLICITE DE VALEUR COMMERCIALE OU DE COMPATIBILITÉ POUR UN BUT OU USAGE PARTICULIER. EN OUTRE, AUCUNE DÉCLARATION NE PEUT ENGAGER LG CANADA.

LG CANADA N'AUTORISE AUCUNE PERSONNE À CRÉER OU ENDOSSER À SA PLACE AUCUNE AUTRE OBLIGATION DE GARANTIE OU DE RESPONSABILITÉ LIÉE AU PRODUIT. SAUF GARANTIE OU CONDITION RENDUE IMPLICITE PAR LA LOI, LA PÉRIODE DE GARANTIE EST LIMITÉE À LA PÉRIODE INDIQUÉE CI-DESSUS. LG CANADA, LE FABRICANT OU LE DISTRIBUTEUR NE SAURONT ÊTRE TENUS RESPONSABLES EN CAS DE DOMMAGE ACCESSOIRE, IMMATÉRIEL, PARTICULIER, DIRECT OU INDIRECT, DE PERTE INCORPORELLE, DE PERTE DE PROFIT, DE DOMMAGE PUNITIF OU EXEMPLAIRE, OU TOUT AUTRE DOMMAGE, RÉSULTANT DIRECTEMENT OU INDIRECTEMENT D'UNE VIOLATION CONTRACTUELLE, FONDAMENTALE OU AUTRE, OU DE TOUT AUTRE ACTE OU OMISSION, DÉLICTEUX OU AUTRE.

Cette garantie vous donne des droits juridiques spécifiques. Vous pouvez avoir d'autres droits, selon la législation provinciale qui s'applique pour la province concernée. Tout terme de cette garantie qui nierait ou modifierait une condition ou une garantie implicite selon la législation provinciale est séparable lorsqu'il contredit la législation provinciale sans affecter le reste des termes de cette garantie.

CETTE GARANTIE LIMITÉE NE COUVRE PAS:

1. Les déplacements des techniciens pour livrer, reprendre, ou installer le Produit, expliquer au client l'utilisation du Produit ; réparer ou remplacer les fusibles, corriger les branchements d'électricité ou de plomberie, ou corriger les réparations et installations non autorisées.
2. Le non-fonctionnement du Produit en cas de pannes ou coupures d'électricité, ou encore d'installation électrique inadaptée.
3. Les dégâts causés par une fuite, une rupture ou un gel des tuyaux d'arrivée d'eau, un encombrement du circuit d'évacuation, une alimentation en eau interrompue ou inadéquate, ou une arrivée d'air inadaptée.
4. Les dégâts résultant de l'utilisation du Produit dans une atmosphère corrosive ou contraire aux instructions détaillées dans le manuel d'utilisation du Produit.
5. Les dégâts causés au Produit par des accidents, des insectes nuisibles, des orages, des tempêtes, des incendies, des inondations ou des catastrophes naturelles.
6. Les dégâts résultant d'une utilisation inappropriée, d'un usage abusif, ou d'une installation, réparation ou maintenance inadaptée du Produit. La réparation inadaptée inclut l'utilisation de pièces non approuvées ou spécifiées par LG Canada.
7. Les dégâts ou les pannes provoquées par une modification ou altération non autorisée, par une utilisation autre que pour l'objet prévu, ou par une fuite d'eau due à une mauvaise installation de l'appareil.
8. Les dégâts ou les pannes provoqués par un courant électrique, une tension ou des codes de plomberie incorrects, une utilisation commerciale ou industrielle, ou l'utilisation d'accessoires, de composants ou de Produits de nettoyage consommables qui ne sont pas approuvés par LG Canada.
9. Les dégâts provoqués par le transport et la manipulation, notamment les éraflures, bosses, entailles et/ou tout autre dommage causé à la finition du Produit, sauf si ces dommages sont dus à un défaut de fabrication ou de main-d'œuvre et sont signalés dans un délai d'une (1) semaine suivant la livraison.
10. Les dégâts ou pièces manquantes en cas de Produit d'exposition, déjà ouvert, faisant l'objet d'une remise ou réusiné.
11. Les Produits dont le numéro de série d'origine a été enlevé, modifié ou est illisible. Les numéros de modèle et de série, ainsi que la facture d'origine du Produit sont nécessaires pour valider la garantie.
12. L'augmentation du coût des services publics et des frais supplémentaires liés à ces derniers.
13. Le remplacement des ampoules, filtres ou de tout autre élément consommable.
14. Les réparations lorsque votre Produit est utilisé dans des conditions autres qu'une utilisation domestique normale et habituelle (y compris, mais sans se limiter à, une utilisation dans des commerces, des bureaux et des structures d'accueil) ou contrairement aux instructions décrites dans le manuel d'utilisation du Produit.
15. Les coûts associés à l'enlèvement du Produit de votre domicile à des fins de réparation.
16. L'enlèvement et la réinstallation du Produit s'il est installé dans un endroit inaccessible ou s'il n'est pas installé conformément aux instructions d'installation publiées, notamment dans les manuels d'installation et d'utilisation.
17. Les clayettes, bacs, tiroirs, poignées, et accessoires du Produit. Sont également exclues les pièces autres que celles fournies d'origine avec le Produit.

Tous les coûts associés aux circonstances exclues ci-dessus seront assumés par le consommateur.

Pour obtenir tous les détails sur la garantie et accéder au service à la clientèle, téléphonez-nous visitez notre site Web:

Composez le 1-888-542-2623 (24 h sur 24, 365 jours par année) et sélectionnez l'option de menu appropriée, ou visitez notre site Web au www.lg.com

Écrivez vos renseignements de garantie ci-dessous:

Renseignements sur l'enregistrement du produit: _____

Modèle: _____

Numéro de série: _____

Date d'achat: _____



LG Customer Information Center

1-800-243-0000 USA, Consumer User

1-888-542-2623 CANADA

Register your Product Online!

www.lg.com