

Printing Specification

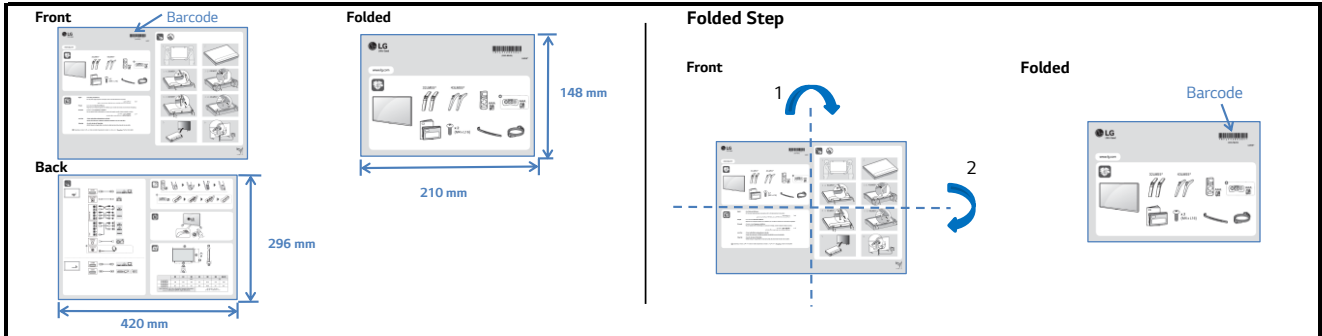
1. Model Description

| | | | | | |
|-----------------|---------------|------------|----------|-------------------|---------------|
| Model/Item Name | : 43LM5500PVA | Brand name | : LG | Part number | : MFL71200304 |
| Suffix | : MG | Product | : B2C TV | (Revision number) | : (REV00) |

2. Printing Specification

| | |
|-------------------------------|---|
| 1. Trim size (Format) (W X H) | : 420 mm x 296 mm, Folded (210 mm x 148 mm) |
| 2. Printing colors | : 1 Color (Black) |
| 3. Stock (Paper) | : Uncoated, wood-free paper 80 g/m ² |
| 4. Bindery | : One sheet (2 Folded) |
| 5. Number of pages | : 8 |
| 6. Language | : ENG/ARA/FRE/POR/PER/THA/VIE (7) |

3. Pagination sheet



4. Origin Notification

| | | |
|---|---|--|
| <p>www.lg.com</p> <p>P/No : MFL69707613 (1708-REV03)</p> <p>Printed in Korea</p> <p>Copyright © 2017 LG Electronics Inc. All Rights Reserved.</p> | <p>[Country Name]</p> <p>LGERS/ LGEMX : Mexico</p> <p>LGEMK : Korea</p> <p>LGEMA : Poland</p> <p>LGEND : China</p> <p>Others : Each Country name.</p> | |
| <p>Changes the Country name. Printed in [Country Name]</p> | | |
| NOTE | <p>[Restriction of Hazardous Substances]</p> <p>Hazardous substances on this product should be satisfied by substance regulation of Level A-I, A-II, SVHC according to LG(52)B-5011 standard.</p> <p>Especially, Part should be followed and controlled the following specification.</p> <p>(1) Hazardous substances test report should be submitted when part certification test and first mass production.</p> <p>(2) Especially, Don't use or contain lead (Pb) and cadmium (Cd) in ink.</p> | |

5. Changes

| | | | | | |
|-------------|------------|------------|------------|-----------------|-------------|
| REV07 | | | | | |
| REV06 | | | | | |
| REV05 | | | | | |
| REV04 | | | | | |
| REV03 | | | | | |
| REV02 | | | | | |
| REV01 | | | | | |
| REV00 | 02/13/2020 | Yujin.Choi | | Checked : | Taeho.Bae |
| | | | | Approved : | Jongok. Kim |
| Rev. Number | MM/DD/YYYY | Signature | ECO Number | Change Contents | |



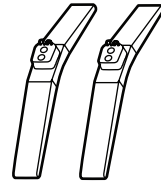
(2002-REV00)

LM55*

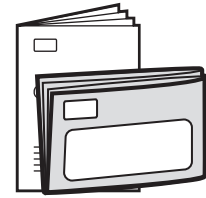
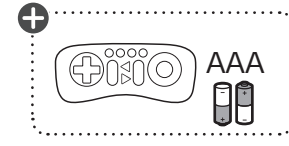
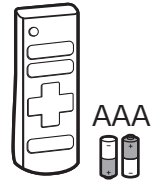
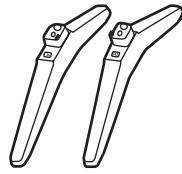
www.lg.com



32LM55*



43LM55*



x 2
(M4 x L16)



English

- Read **Safety and Reference**.
- For the power supply and power consumption, refer to the label attached to the product.

العربية
• قراءة الأمان والمرجع.
• لمعرفة المزيد حول مصدر الإمداد بالطاقة والمعايير استهلاك الطاقة، راجع الملصق الموجود على المنتج.

Français

- Lire le document **Sécurité et référence**.
- Reportez-vous à l'étiquette apposée sur le téléviseur pour connaître les données de consommation énergétique.

Português

- Consulte o manual **Segurança e referência**.
- No que respeita à fonte de alimentação e ao consumo de energia, consulte a etiqueta mostrada no produto.

فارسی
• موارد ایمنی و مرجع را مطالعه نمایید.
• برای اطلاع از منبع تغذیه و مصرف برق، به برچسب دستگاه مراجعه شود.

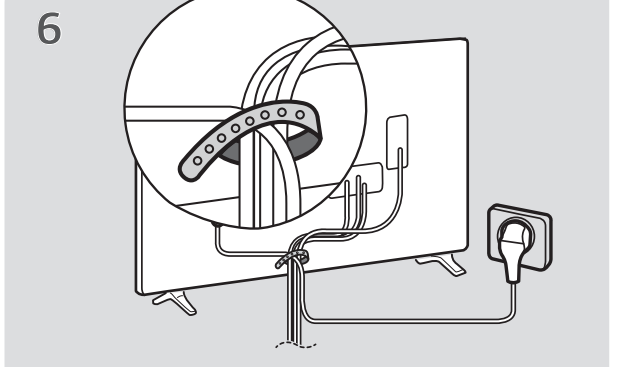
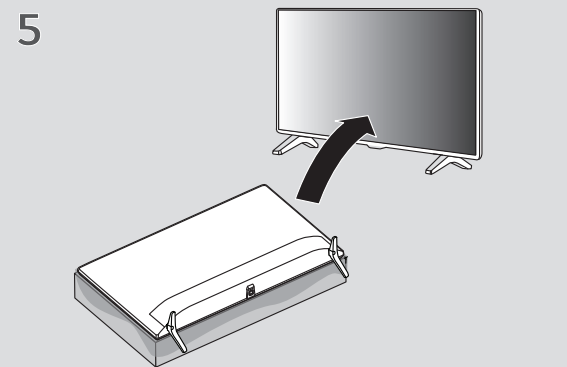
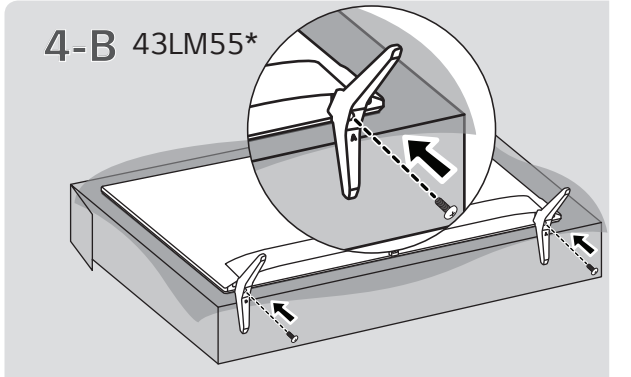
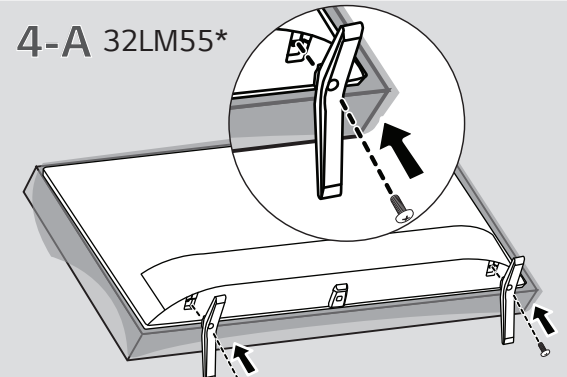
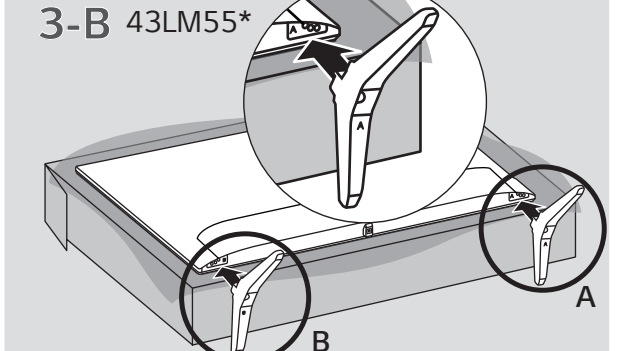
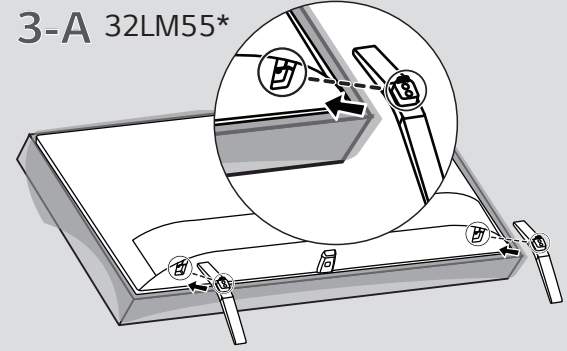
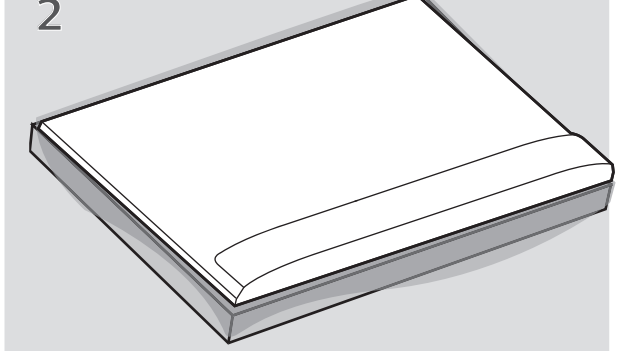
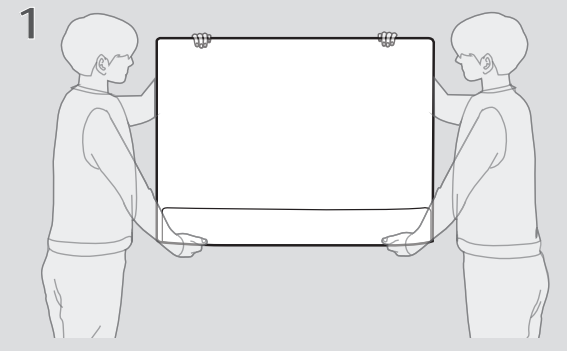
ภาษาไทย

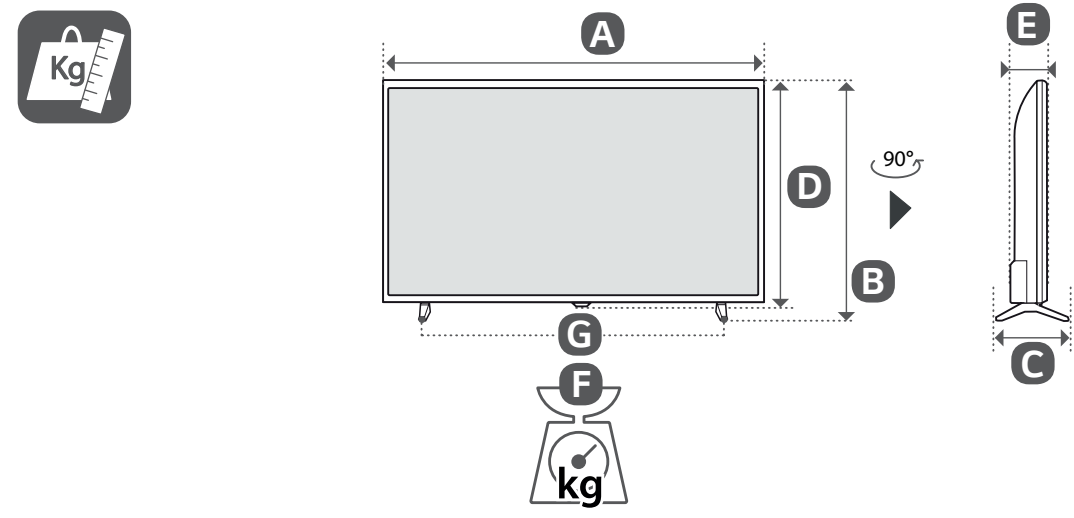
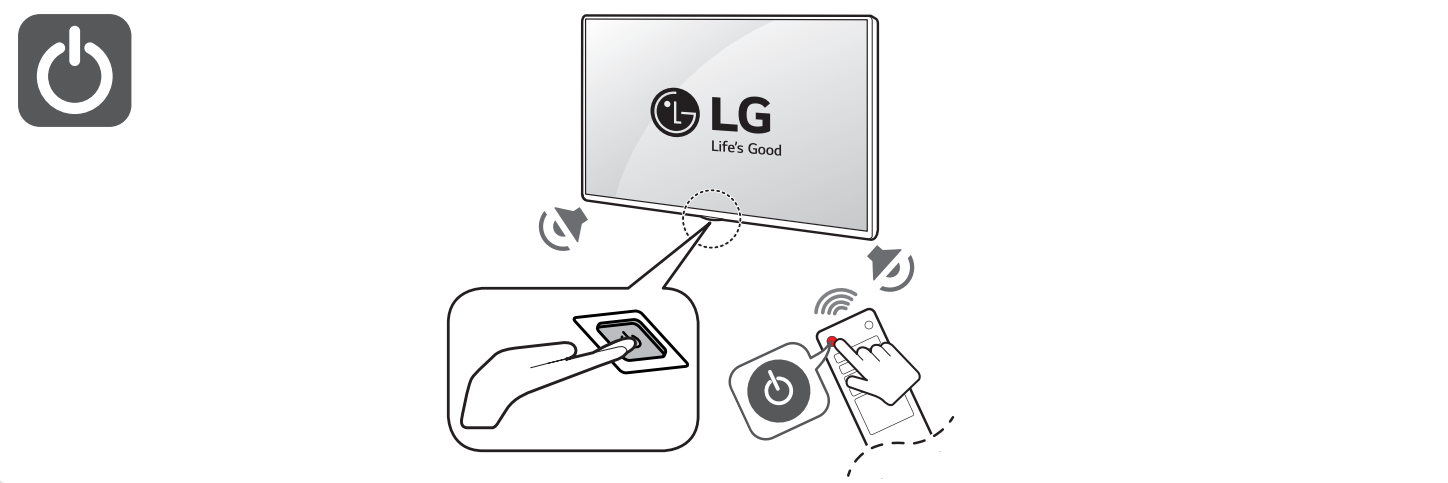
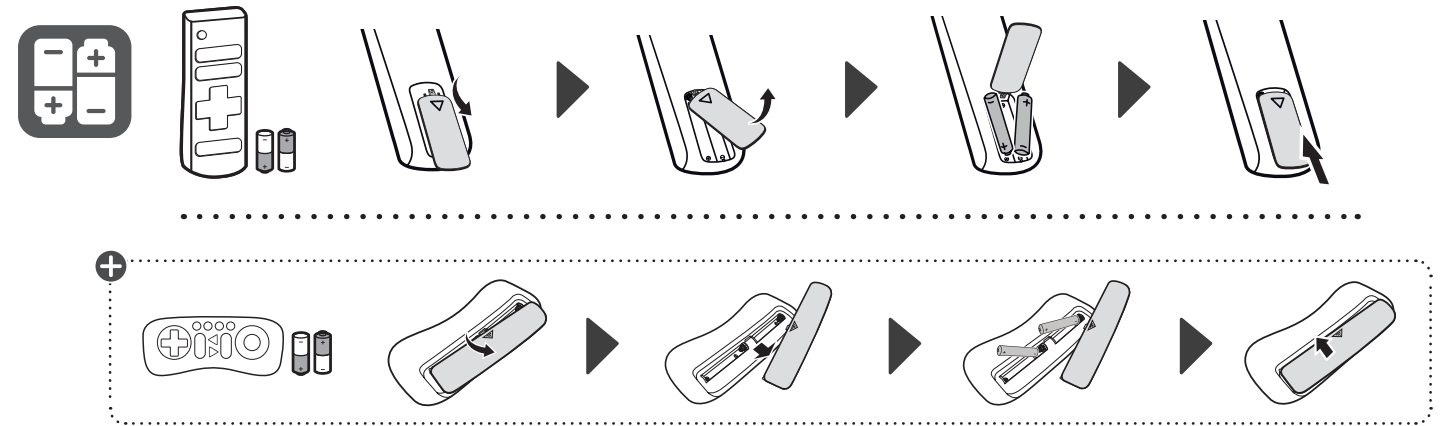
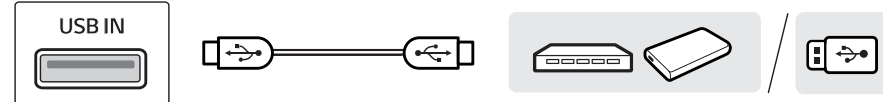
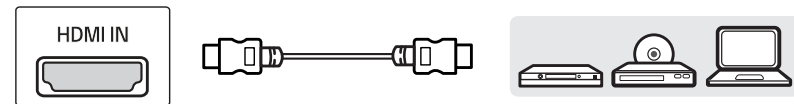
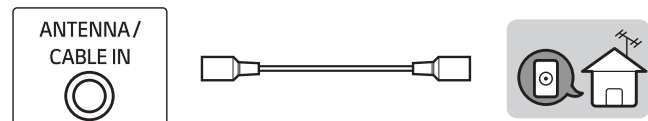
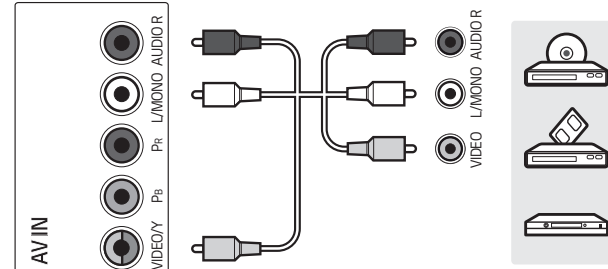
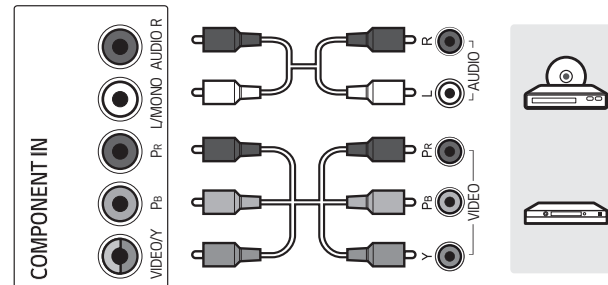
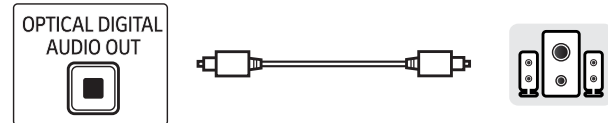
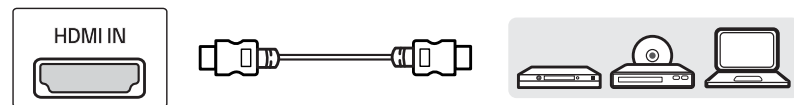
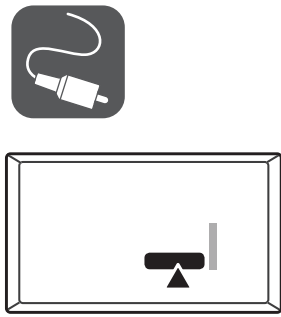
- โปรดอ่านคู่มือใช้ความปลอดภัยและการอ้างอิง
- โปรดอ้างอิงแรงดันและความถี่ไฟฟ้าของเครื่องรับโทรทัศน์ได้จากฉลากด้านหลังเครื่อง

Tiếng Việt

- Đọc phần **An toàn và Tham khảo**.
- Để biết thông tin về nguồn điện và mức tiêu thụ điện, hãy tham khảo nhãn dán trên sản phẩm.

+ : Depending on model / حسب الطراز / Selon le modèle / Dependendo do modelo / به مدل بستگی دارد / ขึ้นอยู่กับรุ่น / Tùy theo mã sản phẩm





| | A | B | C | D | E | F | F-G |
|---|------|-----|-----|-----|---|------|------|
| | (mm) | | | | (kg) | | |
| 32LM550BPTA 32LM553BPTB 32LM550BPVA | 736 | 464 | 180 | 437 | 82.9 | 4.70 | 4.65 |
| 43LM5500PTA 43LM5500PVA | 977 | 615 | 187 | 575 | 80.8 | 8.1 | 8.0 |
| Power requirement / متطلبات الطاقة / Alimentation / Requisito de alimentação / شروط برق / แรงดันและความถี่ไฟฟ้า / Nguồn điện yêu cầu | | | | | AC 100-240 V - 50 / 60 Hz تيار متردد 240-100 فولت - 60 / 50 هرتز | | |