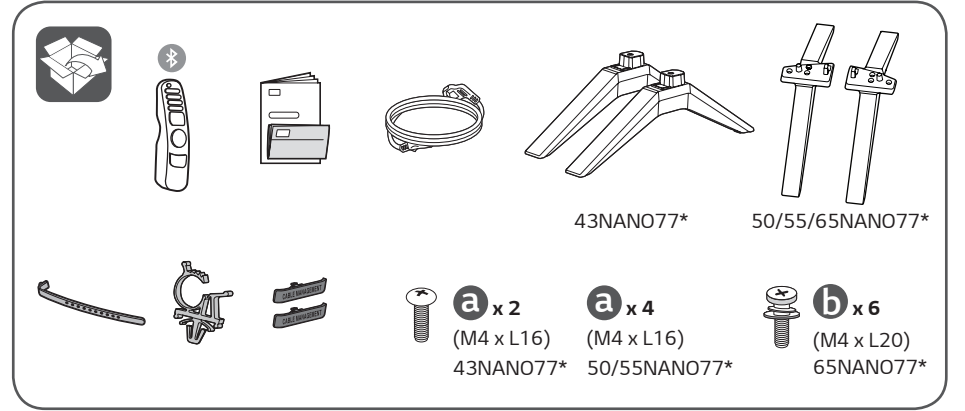
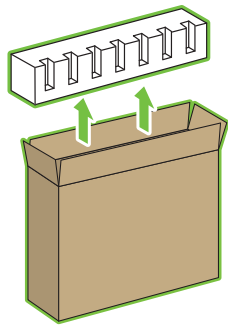




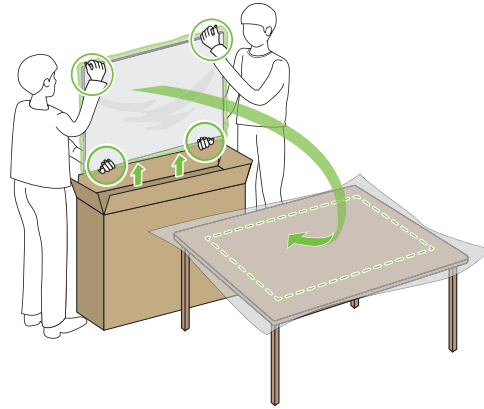
NANO77*



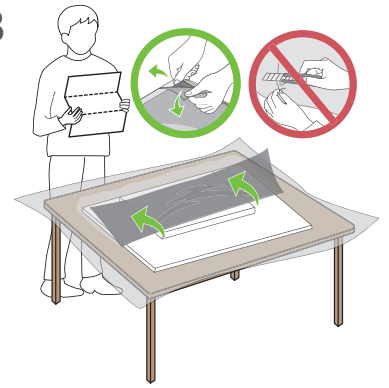
43/50/55NANO77* 1



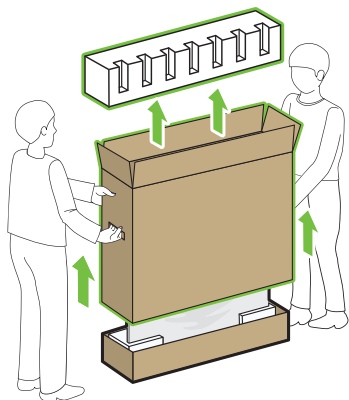
2



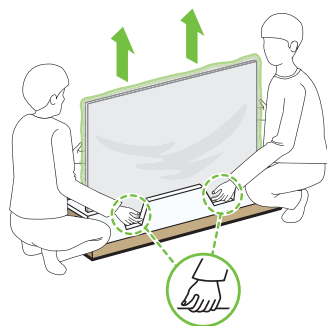
3



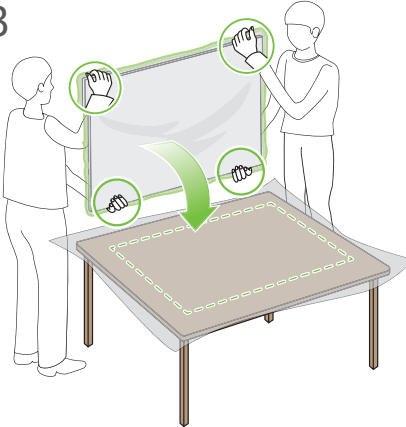
65NANO77* 1



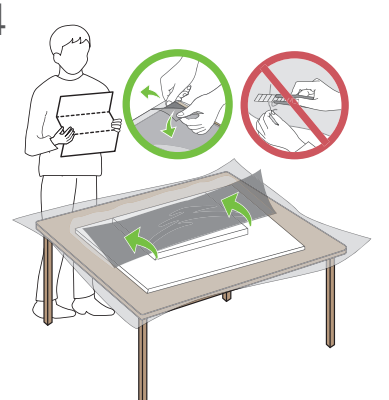
2



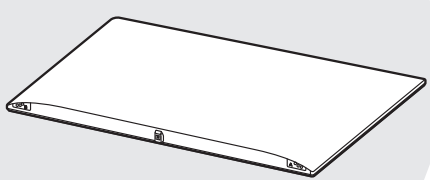
3



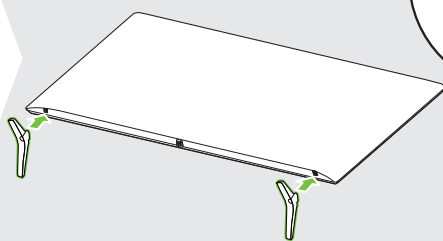
4



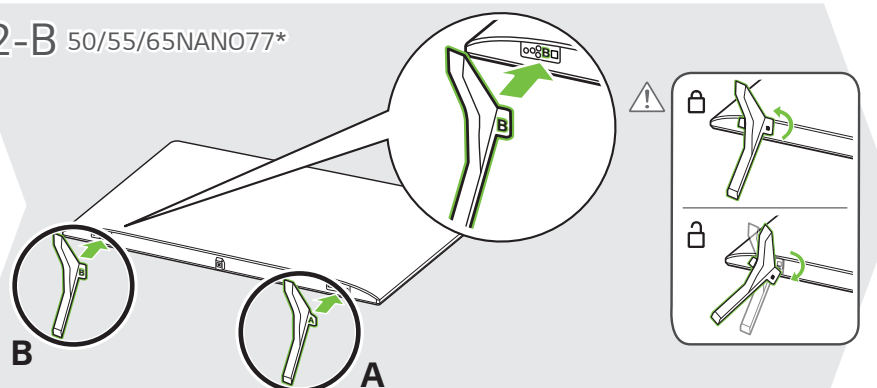
1



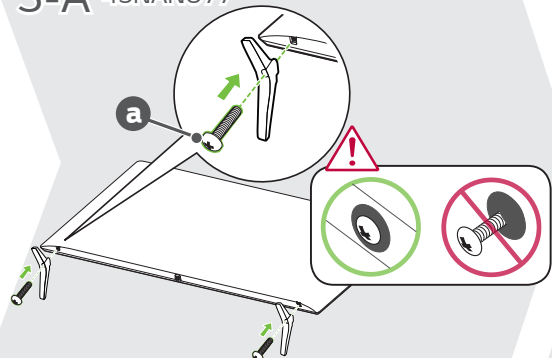
2-A 43NANO77*



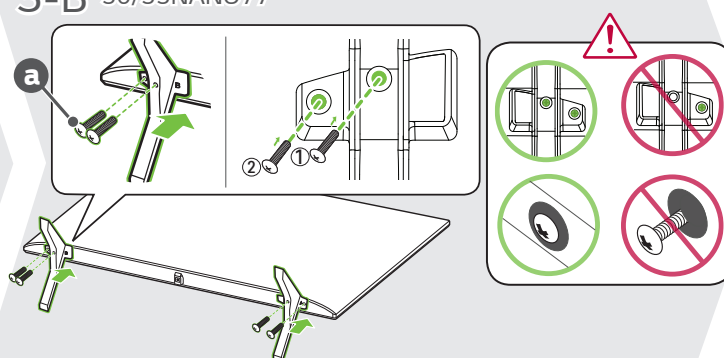
2-B 50/55/65NANO77*



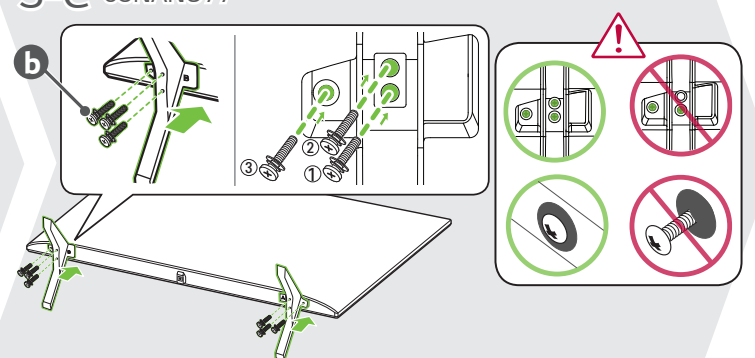
3-A 43NANO77*



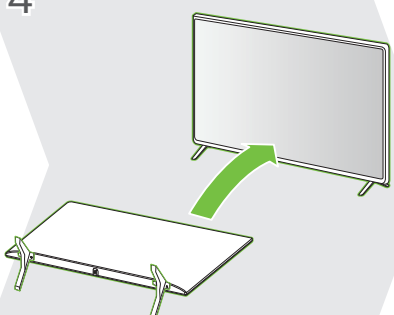
3-B 50/55NANO77*



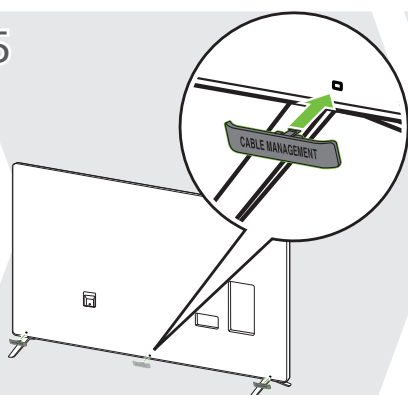
3-C 65NANO77*



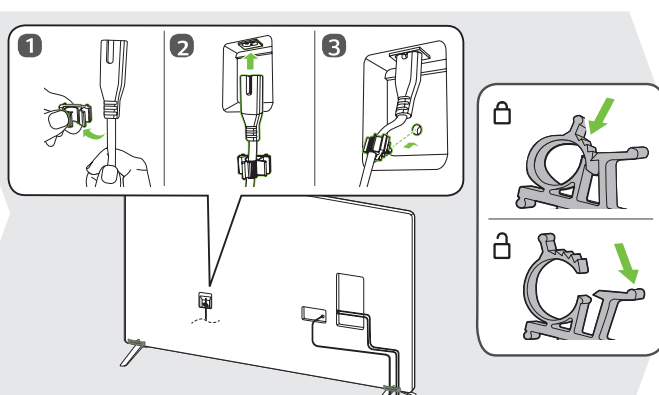
4



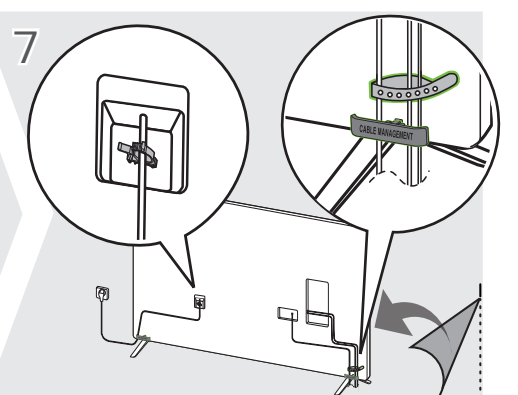
5

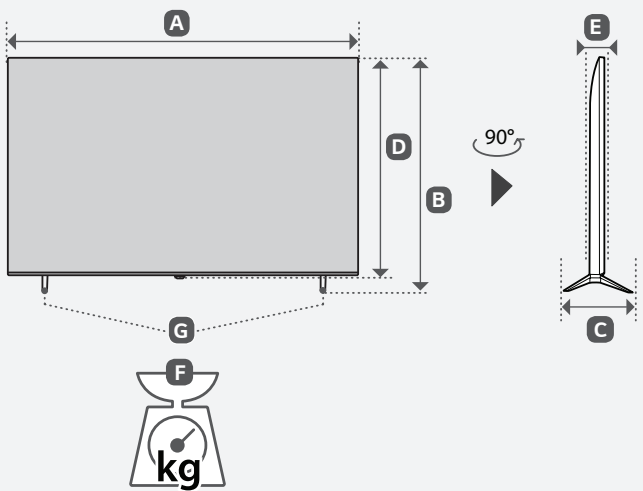
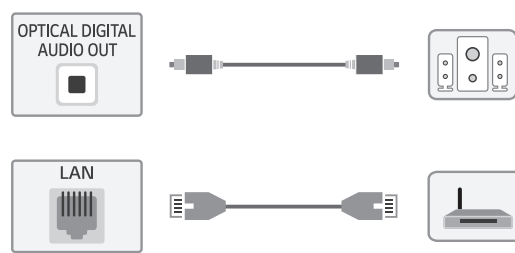
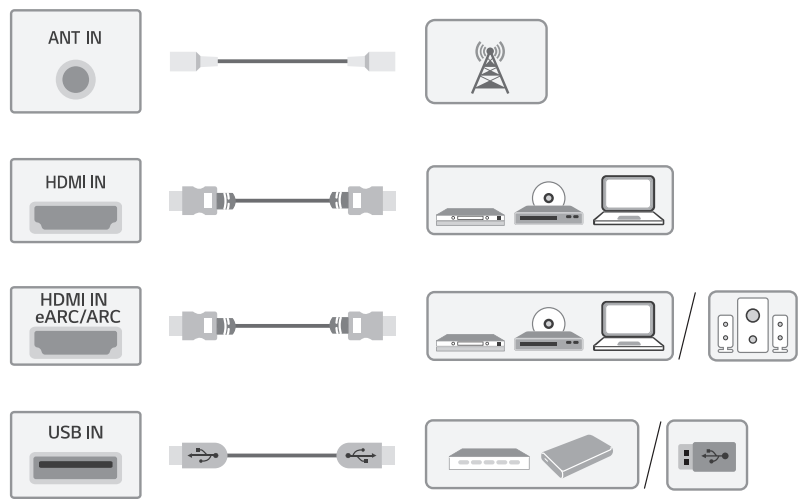


6

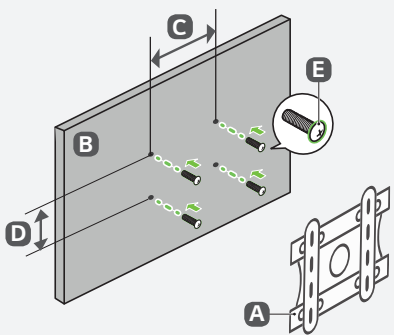


7

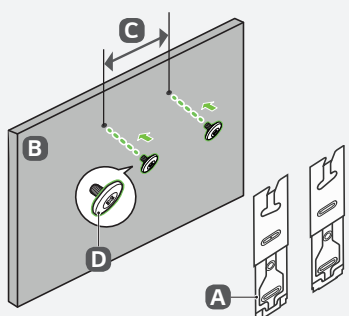




	A	B	C	D	E	F	F-G
	(mm)					(kg)	
43NANO776RA	967	621	200	564	57.1	8.9	8.8
43NANO77SRA							
50NANO776RA	1121	716	230	651	57.1	11.8	11.7
50NANO77SRA							
55NANO776RA	1235	780	230	715	57.5	14.1	14.0
55NANO77SRA							
65NANO776RA	1454	903	269	838	57.7	21.7	21.5
65NANO77SRA							



A	B	C x D (mm)	E
LSW240B	43NANO77*	200 x 200	M6
MSW240	50NANO77*		
OLW480B	55NANO77*	300 x 300	M6
MSW240			
OLW480B	65NANO77*	300 x 300	M6



A	B	C (mm)	D
WB21LMB	43NANO77*	200	M6
	50NANO77*		
WB21LMB	55NANO77*	300	M6
	65NANO77*		

