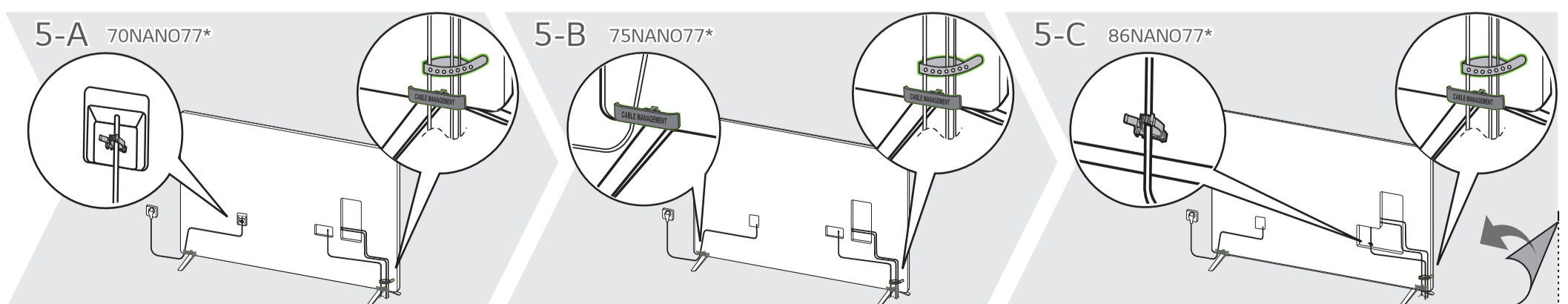
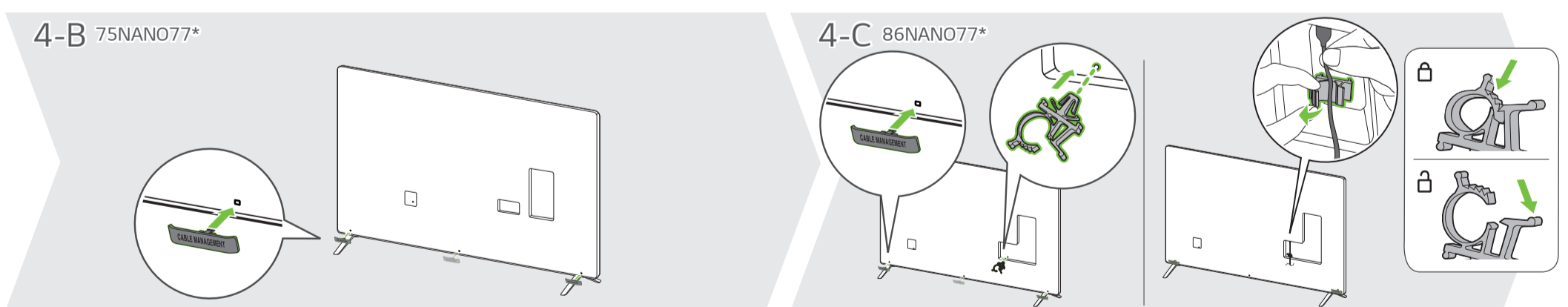
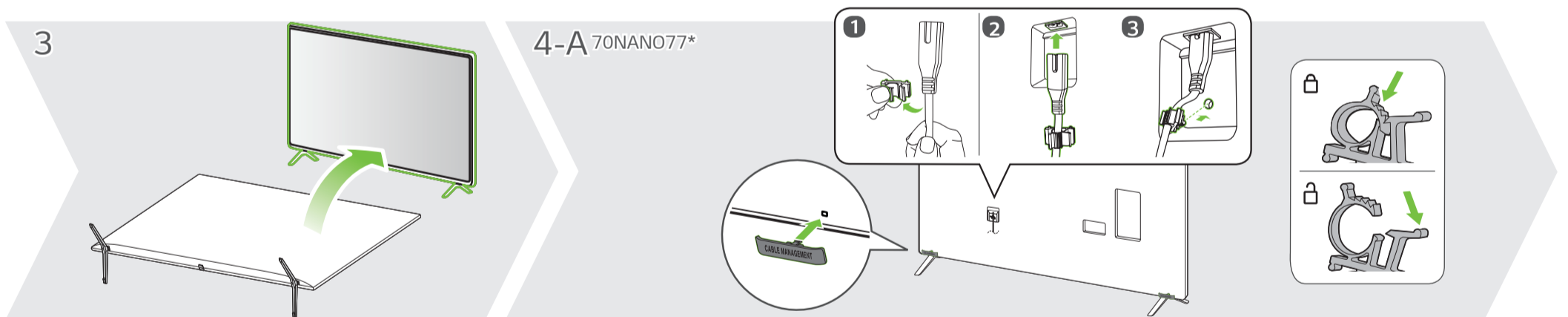
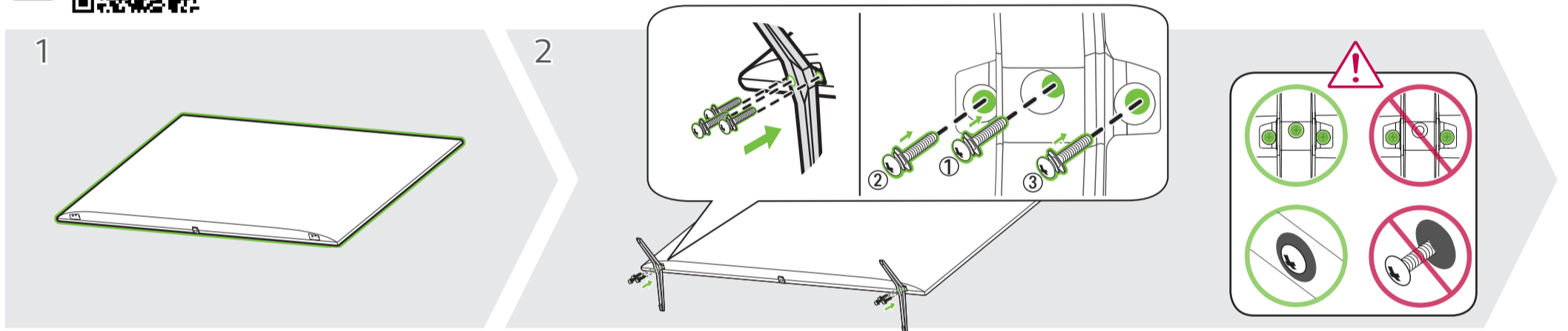
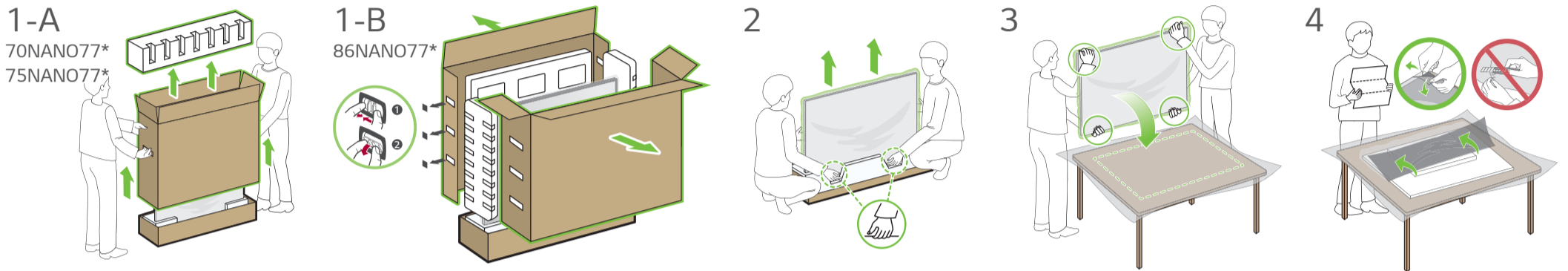
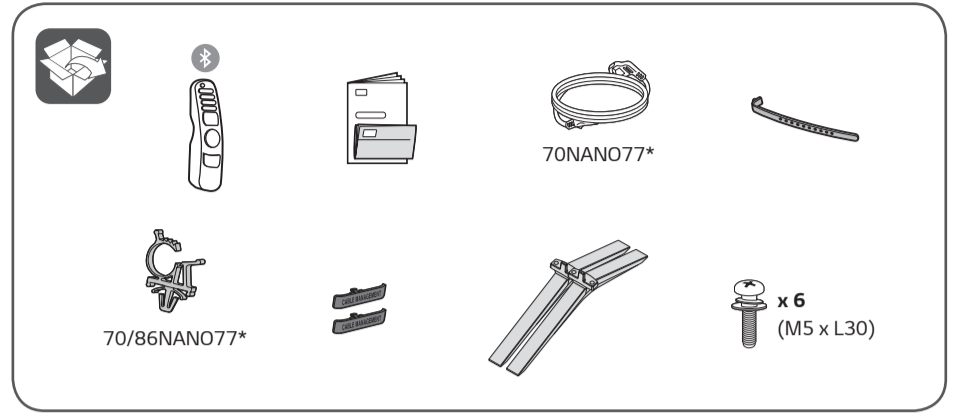
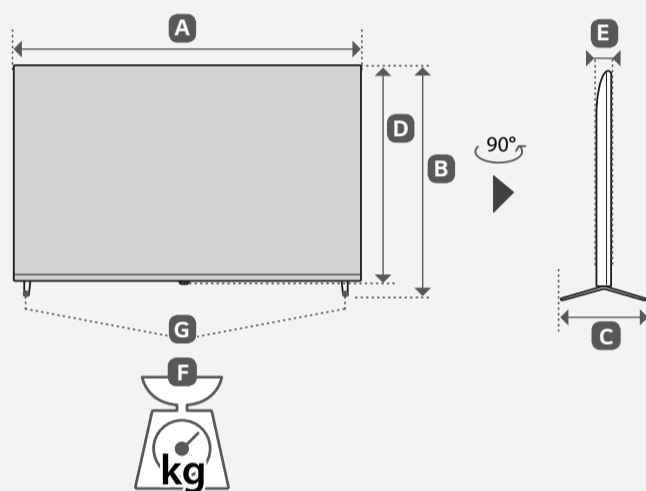
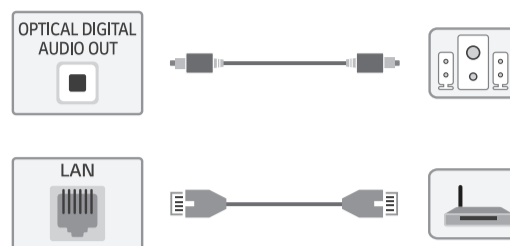
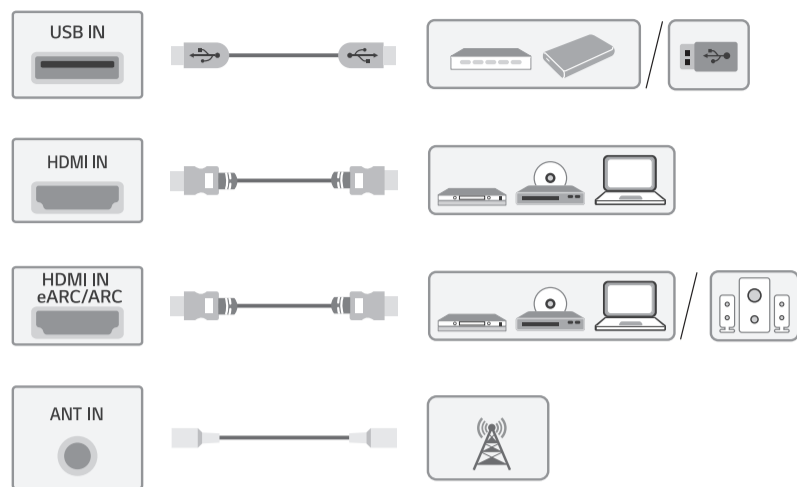


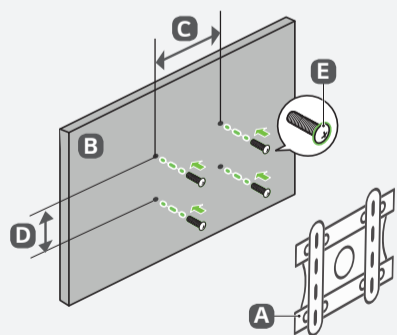
70NANO77SRA 75NANO77SRA 86NANO77SRA





PRODUZIDO NO POLO INDUSTRIAL DE MANAUS
 CONHEÇA A AMAZÔNIA
LG Electronics do Brasil Ltda.
 CNPJ: 01.166.372/0008-21
 Rua Javari, nº 1004, Distrito Industrial, CEP 69075-110, Manaus/AM, Indústria Brasileira

MODELS MODELOS MODÈLES DESCRIÇÃO	A	B	C	D	E	F	F - G	Power consumption
								Consumo de potencia
70NANO77SRA	1 562 mm (61.4) inches	972 mm (38.2) inches	361 mm (14.2) inches	907 mm (35.7) inches	59.9 mm (2.3) inches	28.1 kg (61.9) lbs	27.7 kg (61) lbs	210 W
75NANO77SRA	1 678 mm (66) inches	1 027 mm (40.4) inches	361 mm (14.2)	964 mm (37.9) inches	59.9 mm (2.3) inches	31.8 kg (70.1) lbs	31.4 kg (69.2) lbs	250 W
86NANO77SRA	1 927 mm (75.8) inches	1 167 mm (45.9) inches	362 mm (14.2)	1 104 mm (43.4) inches	59.9 mm (2.3) inches	45.9 kg (101.1) lbs	45.2 kg (99.6) lbs	335 W



mm (inches / pulgadas / po)			
A	B	C x D	E
LSW440B	70NANO77* 75NANO77*	400 x 400 mm (15.7 x 15.7) inches	M6
LSW640B	86NANO77*	600 x 400 mm (23.6 x 15.7) inches	M8

