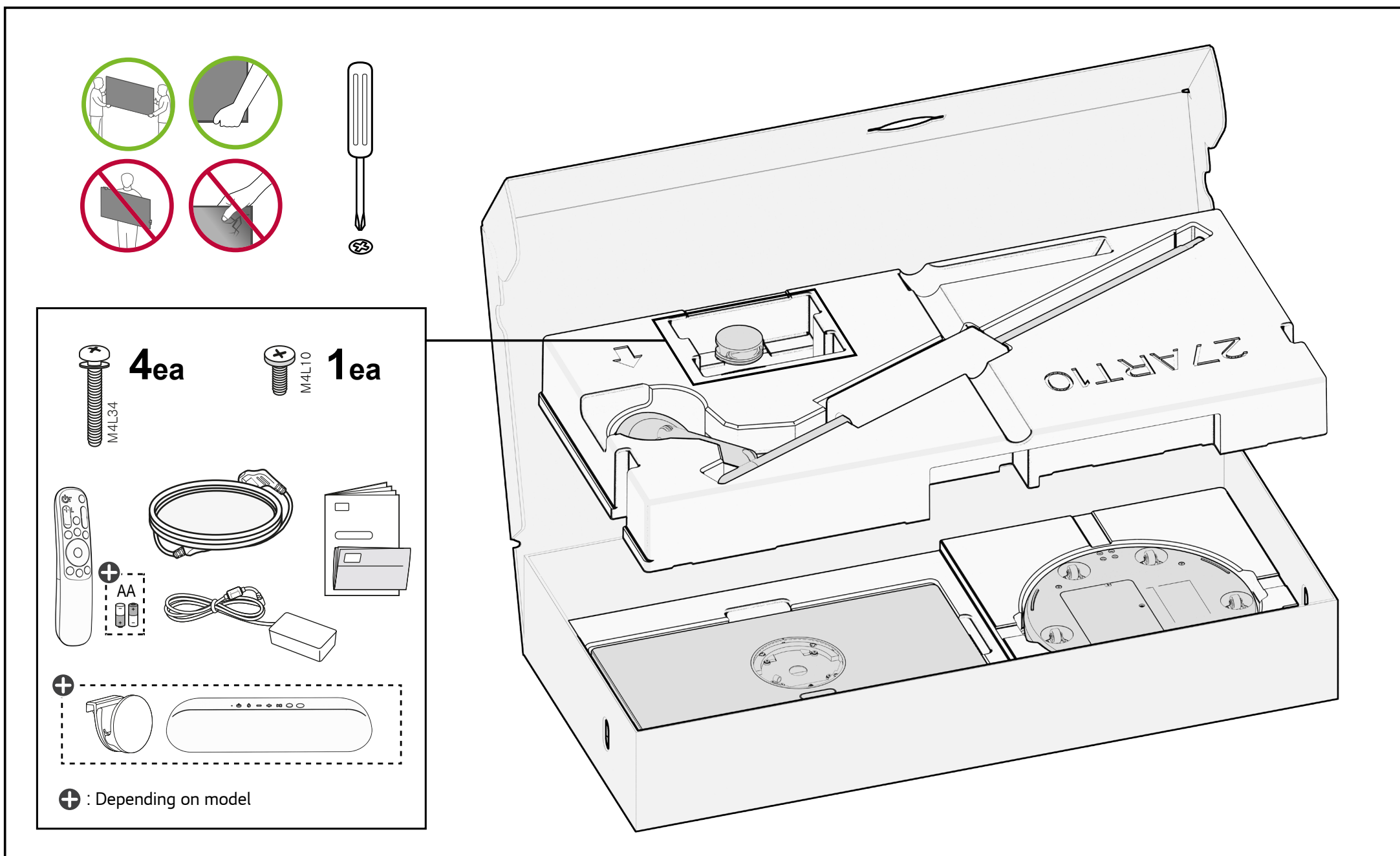


LG StanbyME Installation

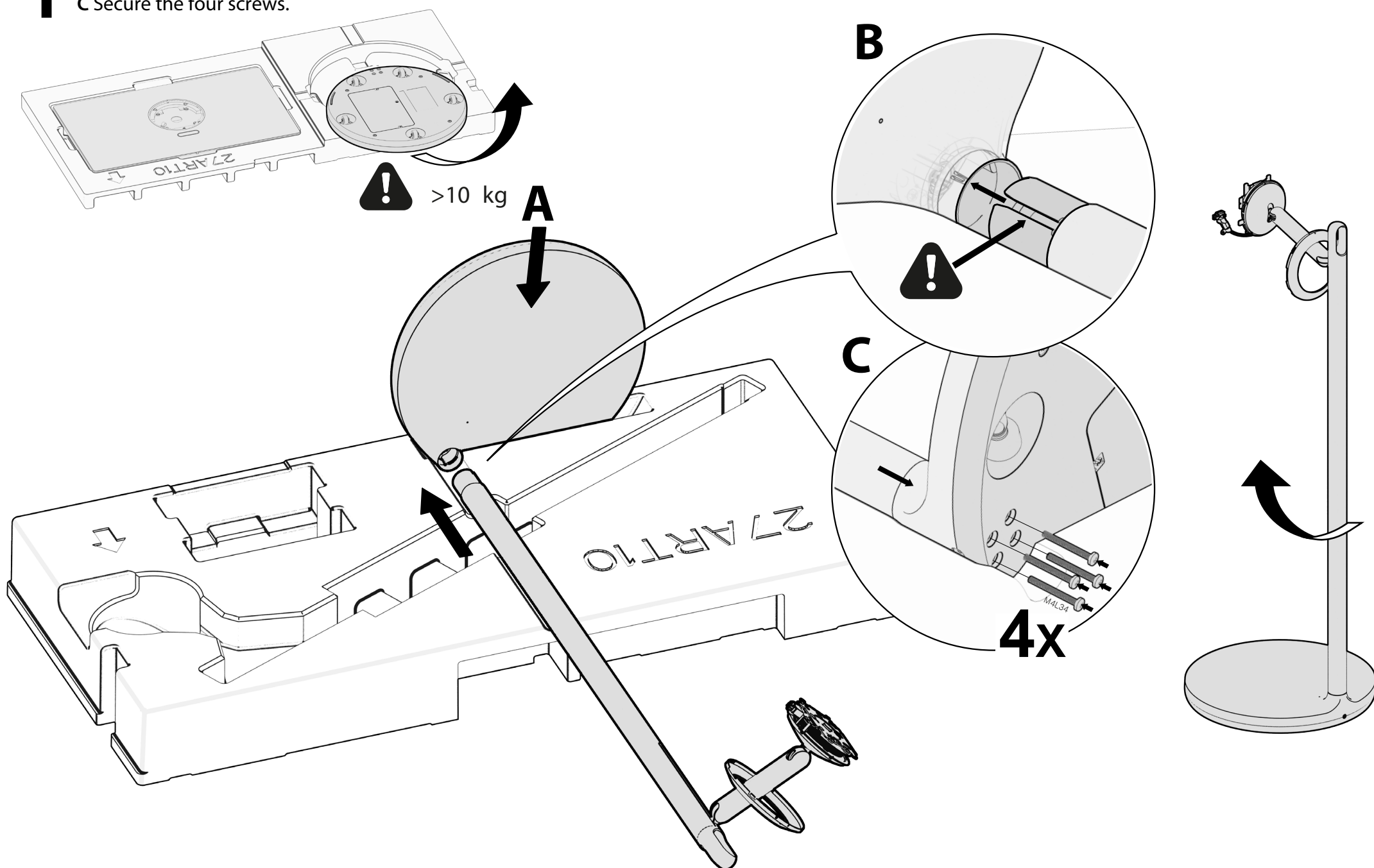
www.lg.com



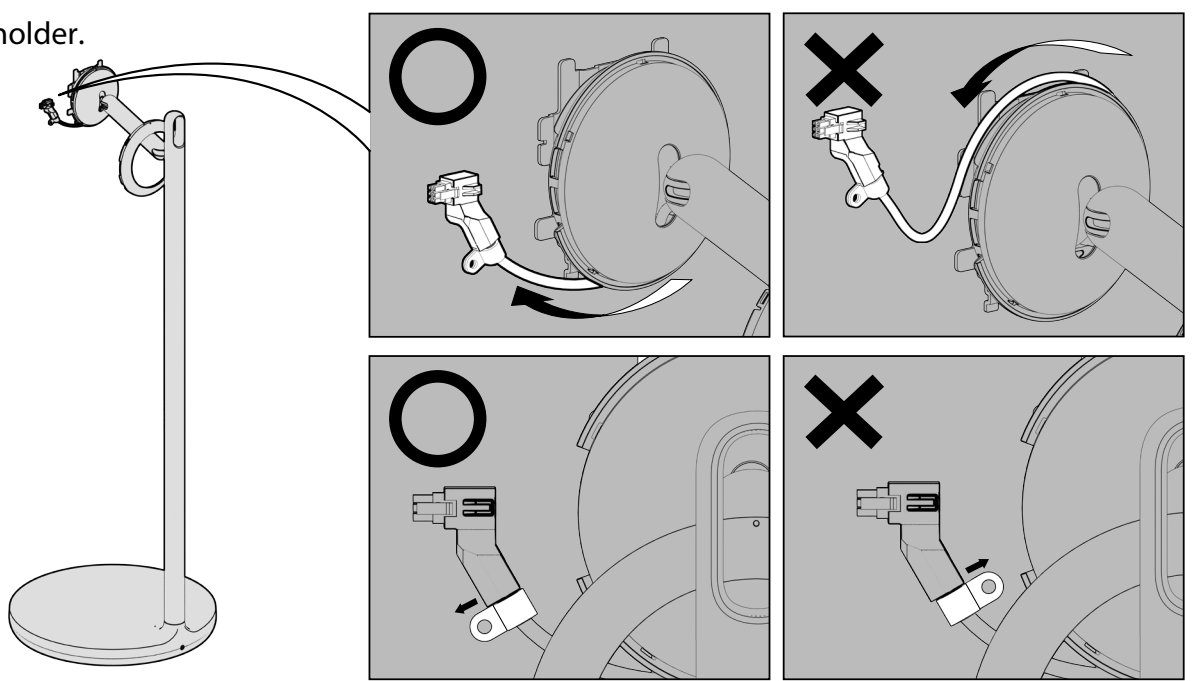
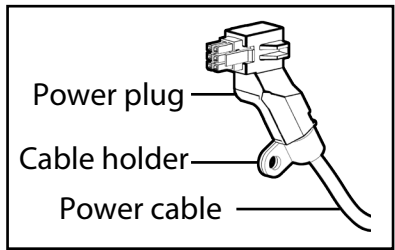
User Install Guide



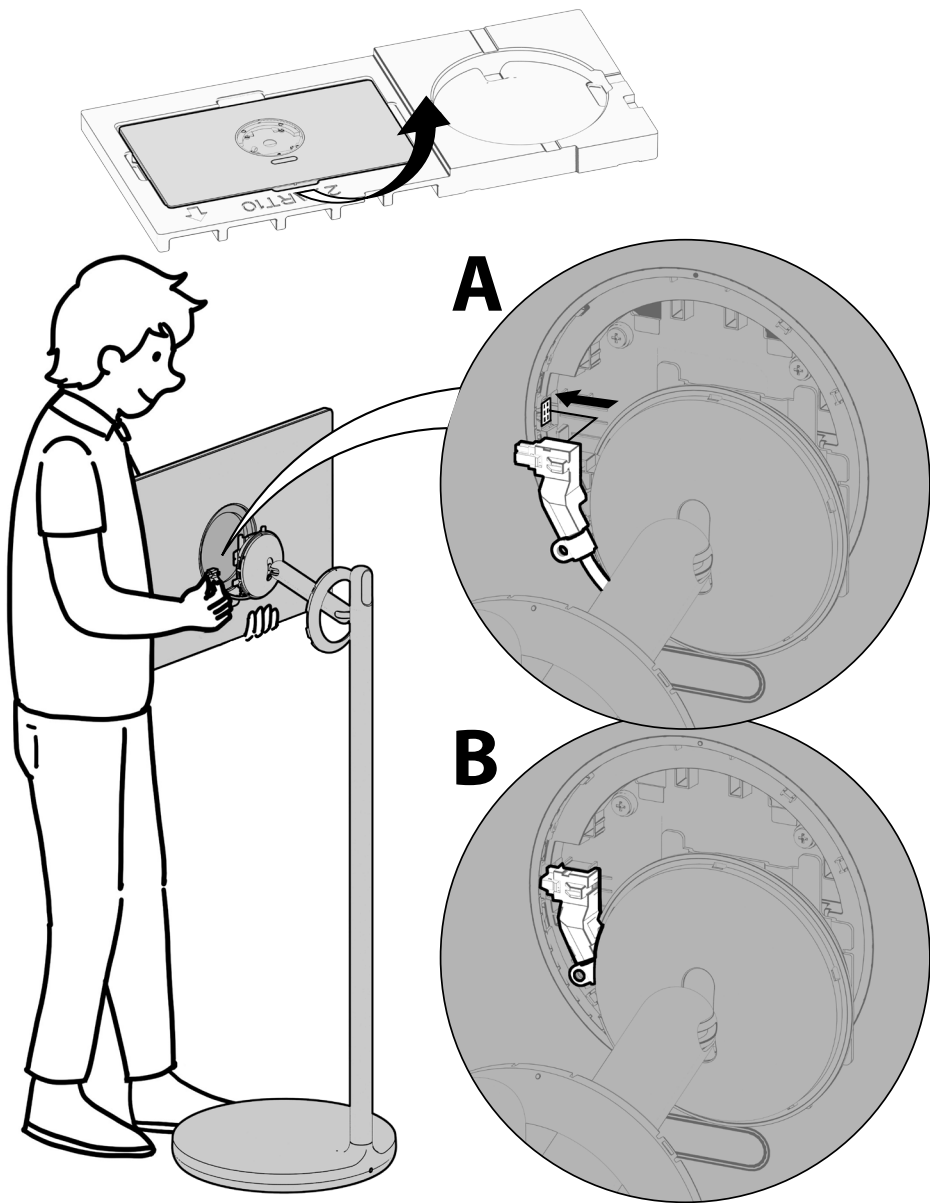
- 1** **A** Insert the stand base into the styrofoam groove as shown in the figure.
B Insert the bar into the hole of the stand base along the groove until it reaches the parting line.
C Secure the four screws.



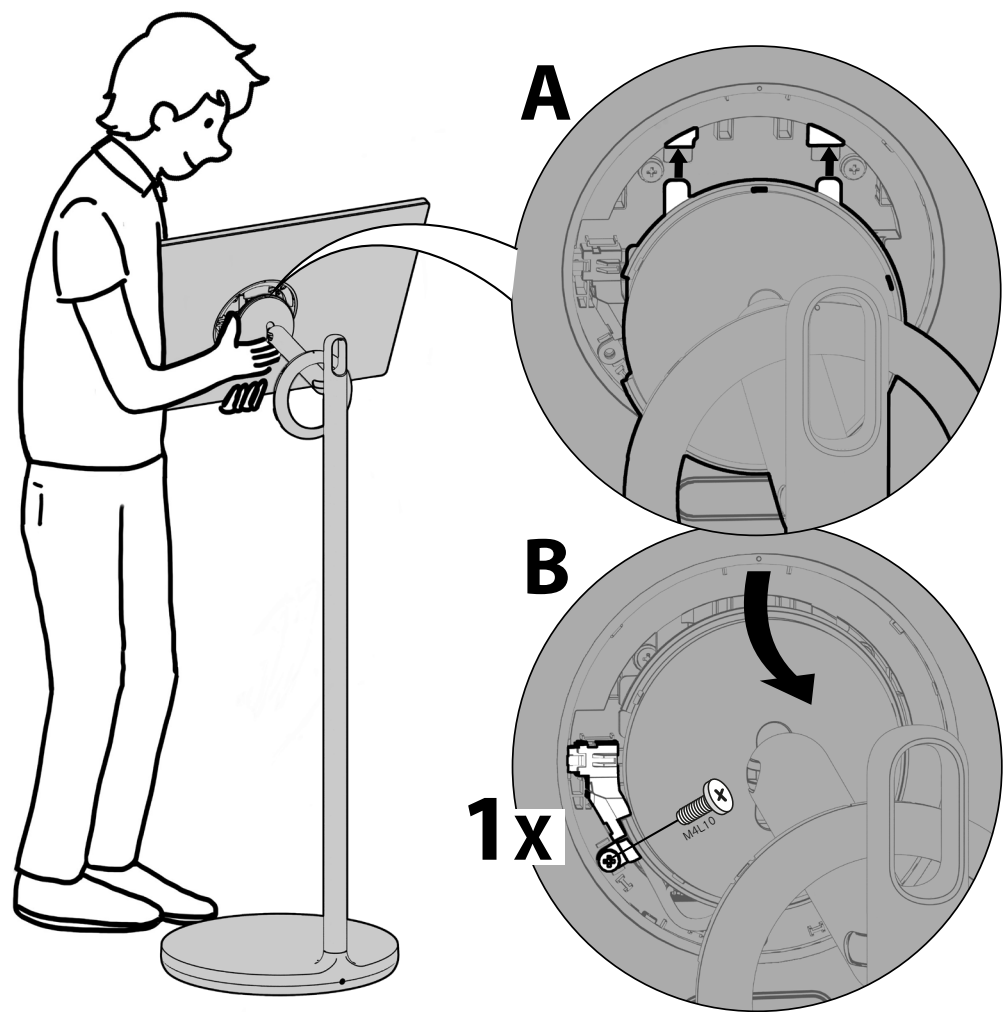
2 Check the orientation of the power cable and cable holder.



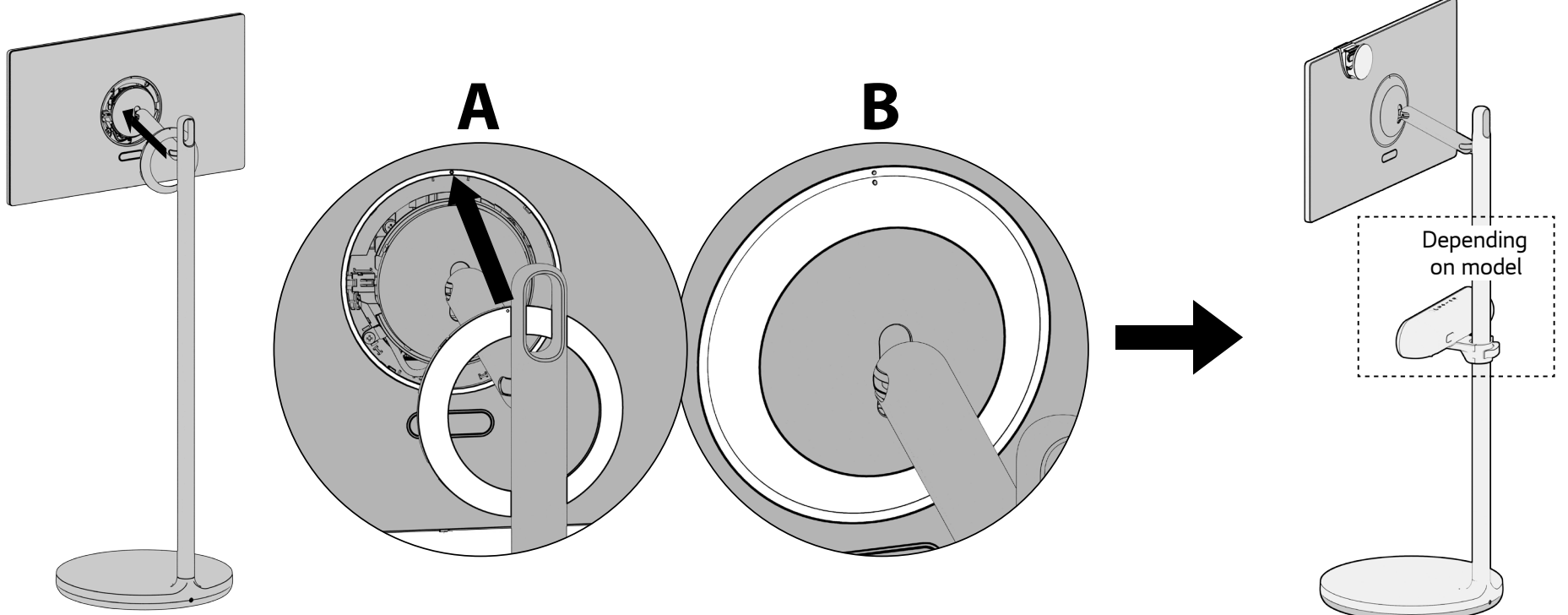
3 Hold the screen and secure the power plug.
A Check the position of the power plug on the back cover of the screen.
B Secure it tightly to the back cover side.



4 Secure the screen to the stand.
A Insert the stand hook into the back cover groove and tighten while pushing the lower part, as shown in the figure. (Push it until you hear a [click] sound.)
B Secure one screw to the cable holder.



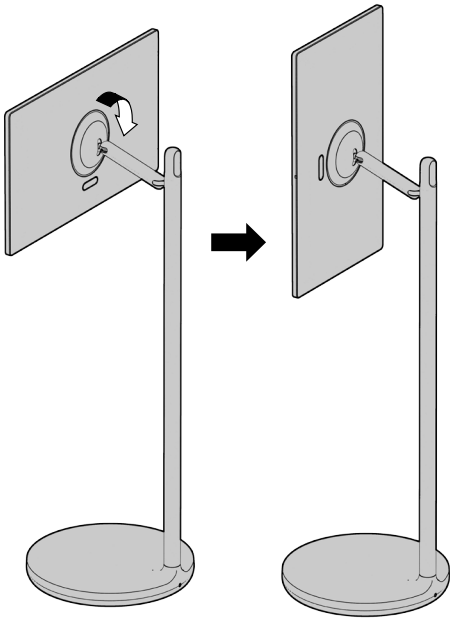
5 Secure the ring cover of the stand.
A Align the screen back cover and ring cover [●mark] and install them.
B Check if it sits tightly as shown in the figure.



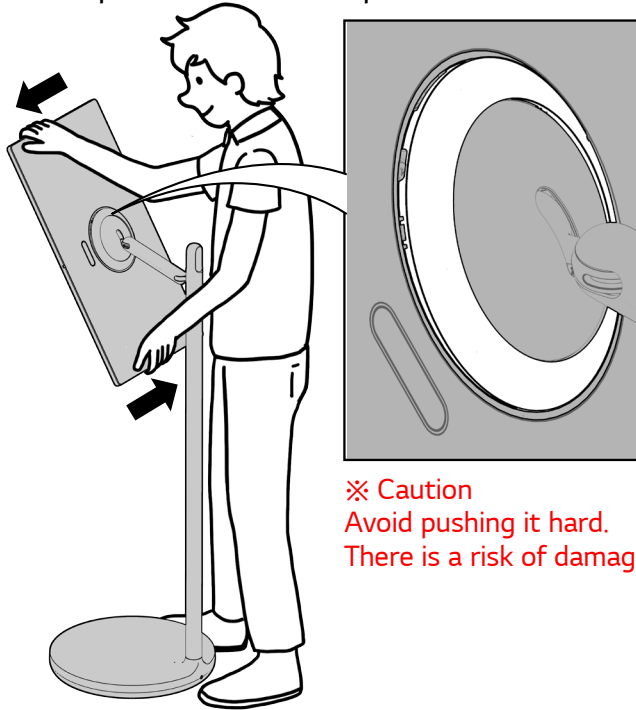
27ART10AKPL

Disassembly

1 Position the screen vertically.

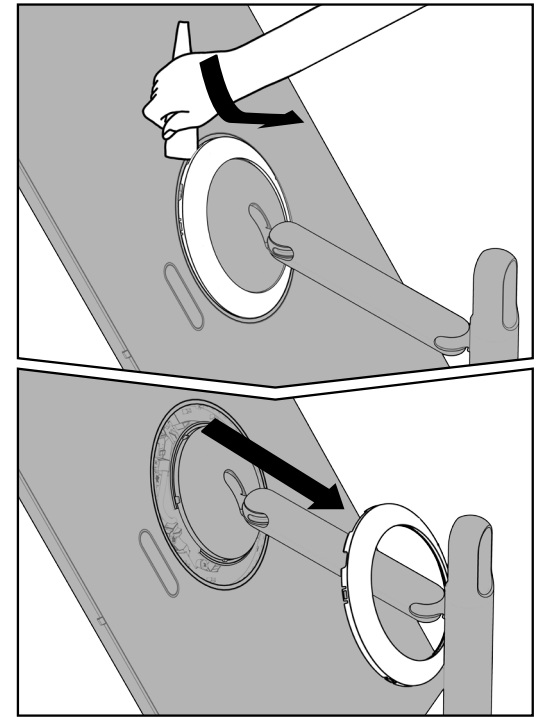


2 Push the top of the screen lightly in the direction of the arrow to disassemble a part of the cover space.

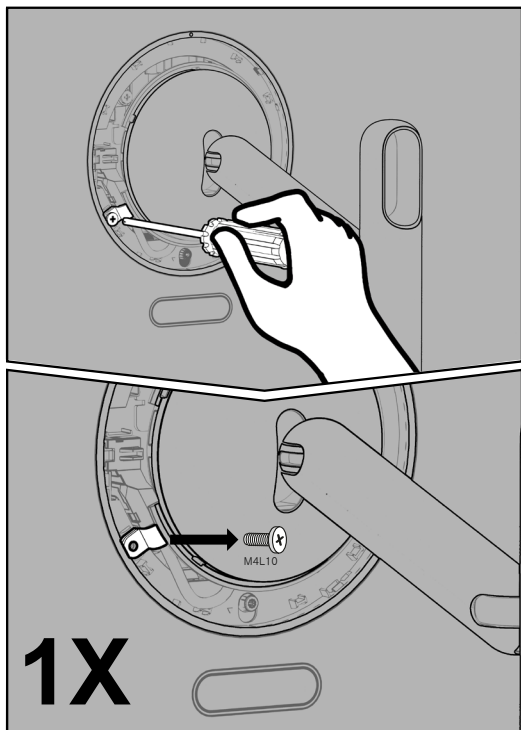


※ Caution
Avoid pushing it hard.
There is a risk of damage.

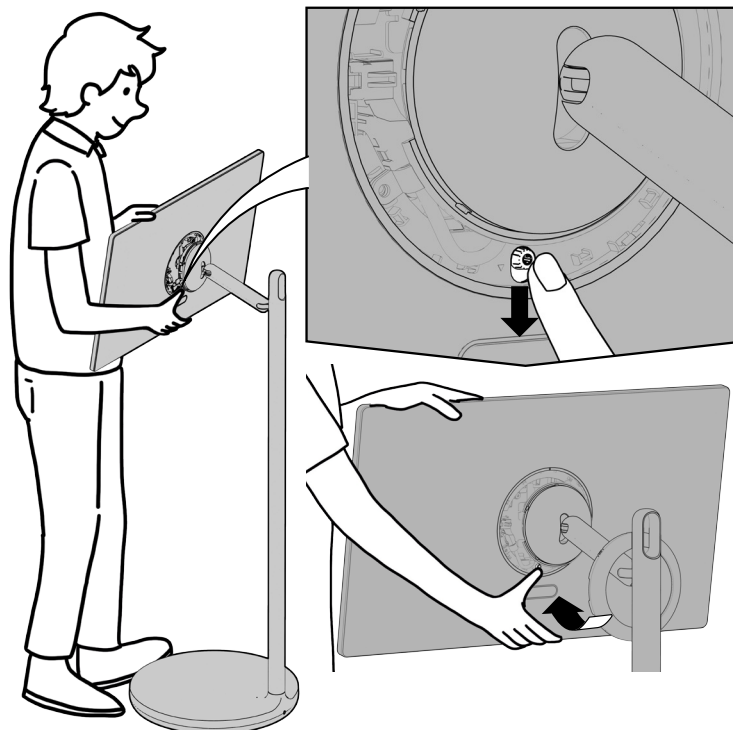
3 Use a wedge or pull it with your hand to completely disassemble the cover.



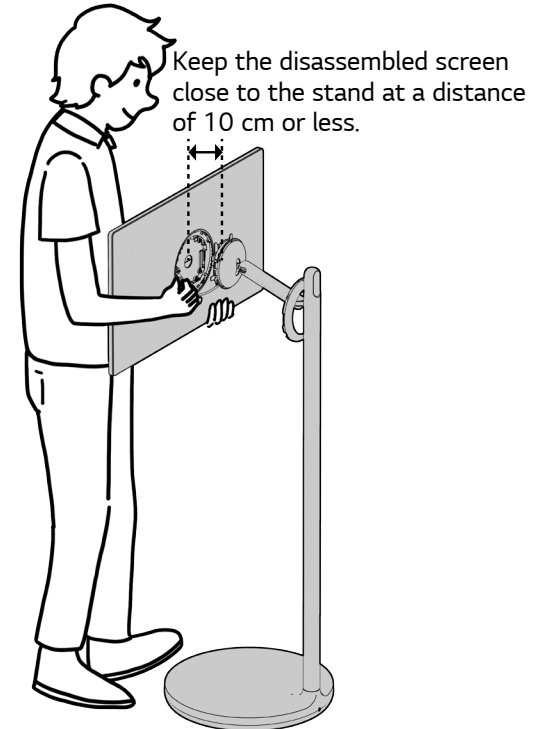
4 Position the screen horizontally and disassemble the cable holder screw.



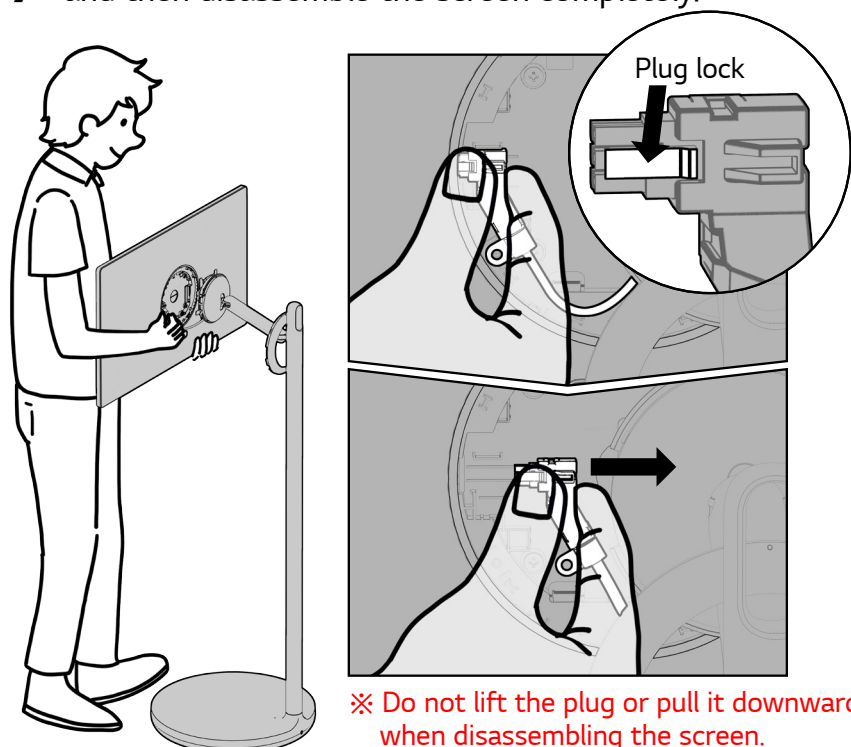
5 Lower the rear lever and push the bottom of the screen forward, as shown in the figure.



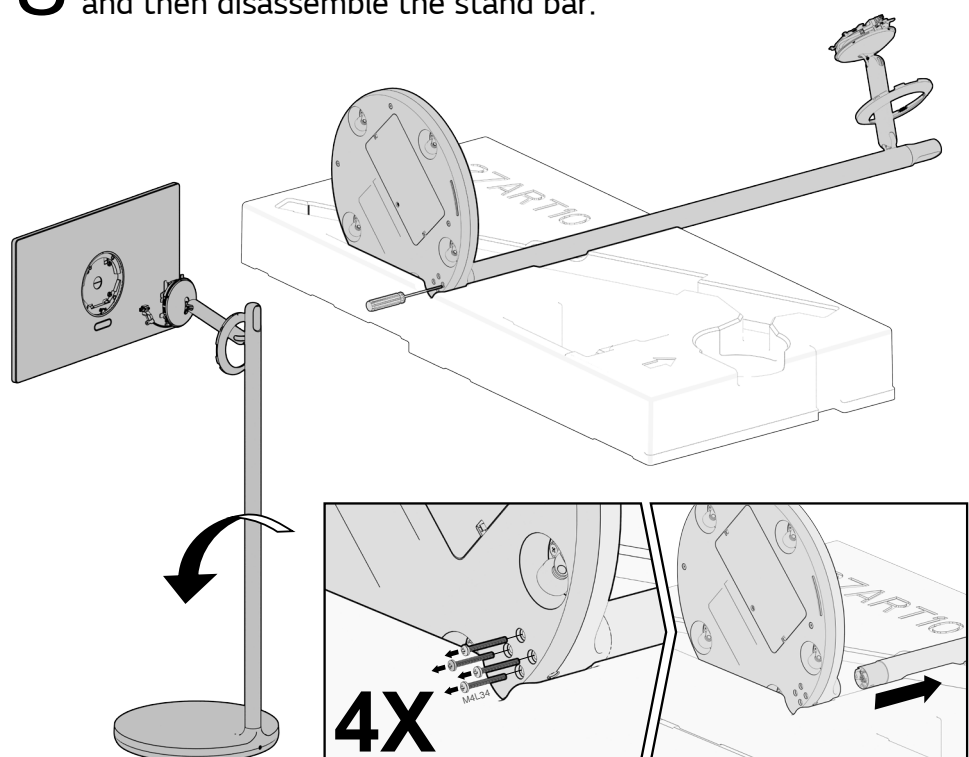
6 Lift the screen, separate the top of the screen, and hold the screen.

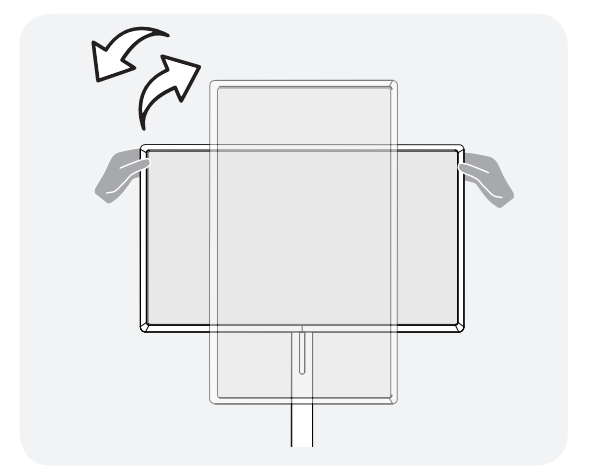
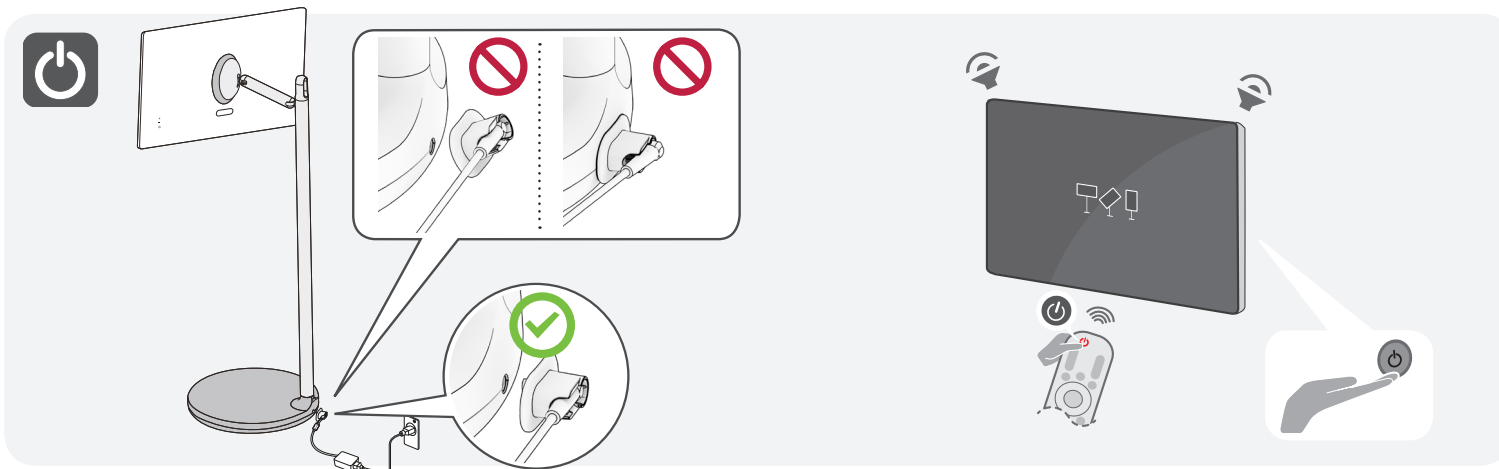
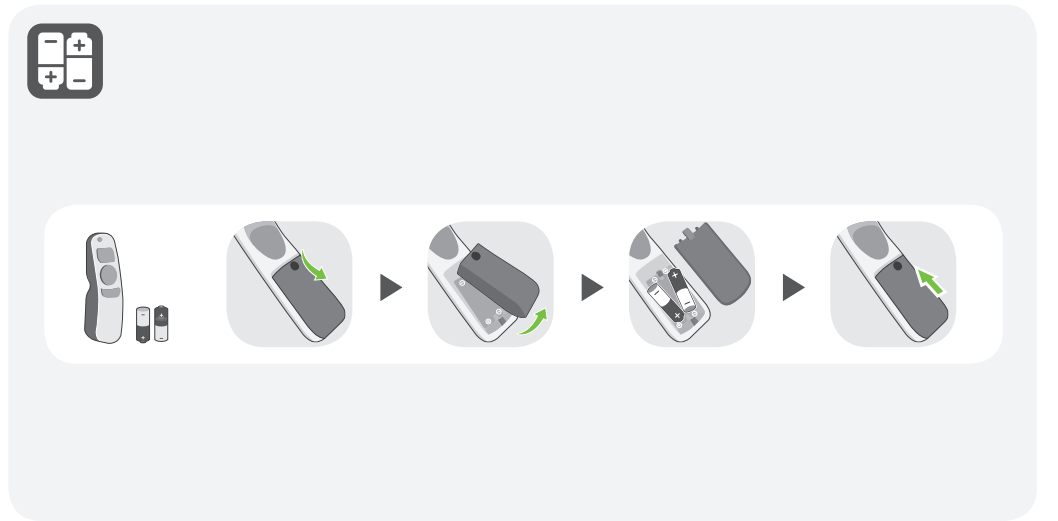
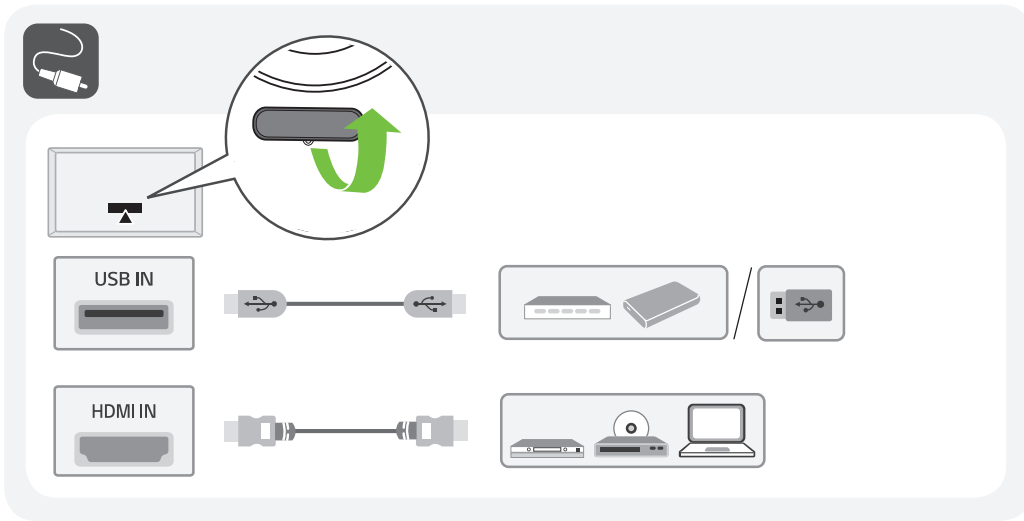
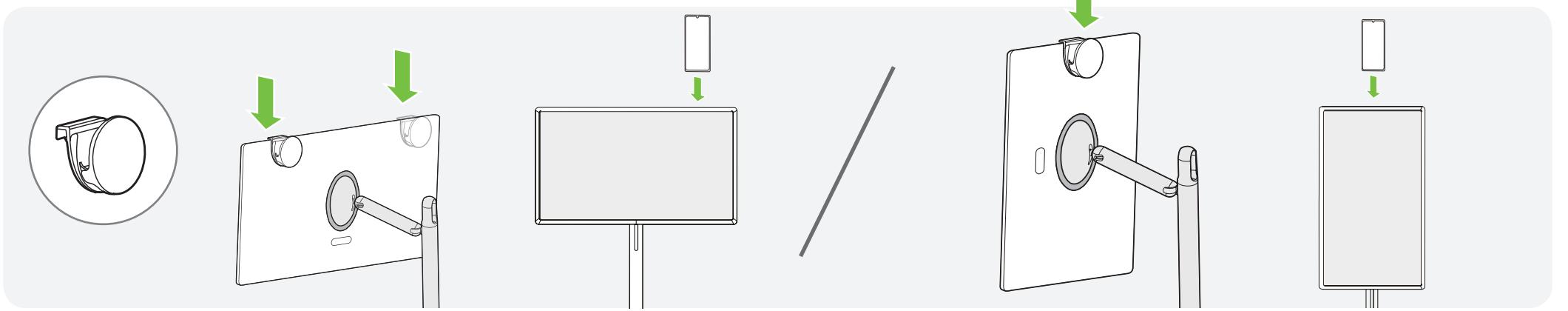


7 Press the plug lock, push it in the direction of the arrow, and then disassemble the screen completely.

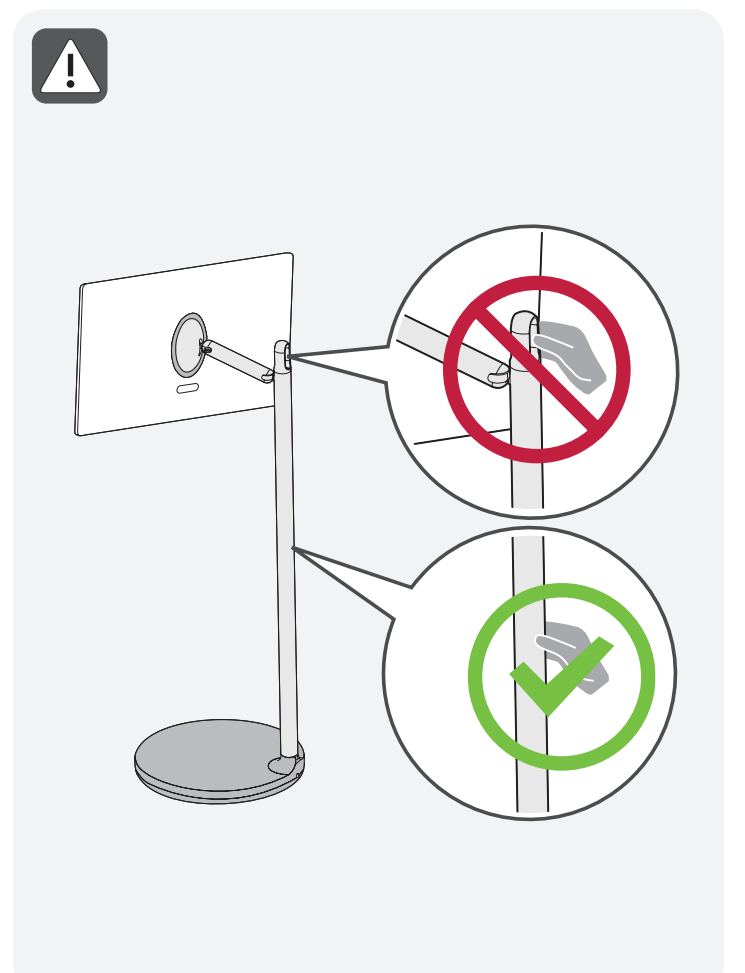


8 Lay the stand on the box packaging, remove the four screws, and then disassemble the stand bar.





MODELS	A		B		C		D		E		F		F-G	
MODELOS	(mm)													
27ART10AKPL	621	621	1068 ~ 1268	1 068 ~ 1 268	397	397	361	361	29.9	29.9	17.5	17,5	4.8	4,8
Power requirement / Alimentación requerida									19 V ~ 4.0 A		19 V ~ 4,0 A			



ENGLISH Read **Safety and Reference**.
Due to environmental government regulations about imports and battery destruction in Colombia, TVs will not include the batteries for the remote control.

ESPAÑOL Leer **Seguridad y Consultas**.
Por regulaciones de tipo ambiental respecto a la importación y destrucción de baterías en Colombia; los televisores no van a traer incluidas las pilas del control remoto.

ENGLISH
Easy Setup Guide
Please read this manual carefully before operating your set and retain it for future reference.

ESPAÑOL
Guía Rápida de Configuración
Lea atentamente este manual antes de poner en marcha el equipo y consérvelo para futuras consultas.

⊕ : Depending upon model / Según el modelo