

Use & Care Guide
Mode d'emploi et guide d'utilisation

English / Français



For best results, a low-sudsing, HE High Efficiency Detergent made for high efficiency washers must be used.



Pour obtenir les meilleurs résultats, il est conseillé d'utiliser un détergent Haute Efficacité HE à faible production de mousse, conçu pour les laveuses haute efficacité.

Model/Modèle: 796.4148#

Kenmore Elite® Front-Loading Automatic Washer Laveuse automatique à chargement frontal

= color number, code couleur



MFL69380588
ver.032516.01

Sears Canada Inc
Toronto, Ontario, Canada M5B 2C3
www.sears.ca



TABLE OF CONTENTS

IMPORTANT SAFETY INSTRUCTIONS	3-5
GROUNDING REQUIREMENTS	5
FEATURES AND BENEFITS	
Key Parts and Components	6
Included Accessories	6
Optional Accessories.....	6
INSTALLATION REQUIREMENTS	
Key Dimensions and Specifications	7
Choose the Proper Location.....	7
Flooring	7
Clearances.....	7
INSTALLATION INSTRUCTIONS	
Unpacking and Removing Shipping Bolts.....	8
Connecting the Water Lines.....	9
Connecting the Drain Hose	10
Connect to the Power Supply	10
Leveling the Washer.....	11
Installation of Non-Skid Pads (optional).....	11
HOW TO USE	
Control Panel Features.....	12
Operating the Washer	13
Cycle Guide	14-15
Sorting Wash Loads.....	16
About the Dispenser Drawer.....	17
Detergent and Dispenser Use	18
Time and Status Display.....	19
Cycle Modifier Buttons.....	20
Steam Cycles and Options.....	21
Special Functions.....	22
CARE AND CLEANING	
Regular Cleaning	23-24
Maintenance.....	25-26
Cleaning the Water Inlet Filters.....	25
Cleaning the Drain Pump Filter.....	26
TROUBLESHOOTING GUIDE	
Normal Sounds You May Hear.....	28
Before Calling for Service	28-30
WARRANTY	31

PRODUCT RECORD

In the space below, record the date of purchase, model, and serial number of your product. You will find the model and serial number printed on an identification plate located inside the washer door. Have these items of information available whenever you contact Sears concerning your product.

Model No. _____

Date of Purchase _____

Serial No. _____

Save these instructions and your sales receipt for future reference.

PROTECTION AGREEMENTS

Master Protection Agreements

Congratulations on making a smart purchase. Your new Kenmore® product is designed and manufactured for years of dependable operation. But like all products, it may require preventive maintenance or repair from time to time. That's when having a Master Protection Agreement can save you money and aggravation.

The Master Protection Agreement also helps extend the life of your new product. Here's what the Agreement includes:

- Parts and labor needed to help keep products operating properly under normal use, not just defects. Our coverage goes well beyond the product warranty. No deductibles, no functional failure excluded from coverage – real protection.
- Expert service by a force of more than 2,500 authorized Sears service technicians, which means someone you can trust will be working on your product.
- Unlimited service calls and nationwide service, as often as you want us, whenever you want us.
- "No-lemon" guarantee – replacement of your covered product if four or more product failures occur within twelve months.
- Product replacement if your covered product can't be fixed.
- Annual Preventive Maintenance Check at your request - no extra charge.
- Power surge protection against electrical damage due to power fluctuations.
- \$250 Food Loss Protection annually for any food spoilage that is the result of mechanical failure of any covered refrigerator or freezer.
- 10% discount off the regular price of any non-covered installed parts.

Once you purchase the Agreement, a simple phone call is all that it takes for you to schedule service. You can call anytime day or night.

The Master Protection Agreement is a risk free purchase. If you cancel for any reason during the product warranty period, we will provide a full refund. Or, a prorated refund anytime after the product warranty period expires. Purchase your Master Protection Agreement today!

Some limitations and exclusions apply. For full details call Sears Canada at 1-800-361-6665.

SAFETY MESSAGES

There are many important safety messages in this manual and on your appliance. Always read and obey all safety messages.



This is the safety alert symbol. This symbol alerts you to potential hazards that can result in property damage and/or serious bodily harm or death.

All safety messages will follow the safety alert symbol and either the word DANGER or WARNING. These words mean:



WARNING

Indicates a hazardous situation which, if not avoided, will result in death or serious injury.



CAUTION

Indicates a hazardous situation which, if not avoided, could result in death or serious injury.

All safety messages will tell you what the potential hazard is, tell you how to reduce the chance of injury, and tell you what can happen if the instructions are not followed.

IMPORTANT SAFETY INSTRUCTIONS

WARNING

To reduce the risk of fire, electric shock, or injury to persons when using this appliance, follow basic precautions, including the following.

- Before use, the washer must be properly installed as described in this manual.
- Do not wash articles that have been previously cleaned in, washed in, soaked in, or spotted with gasoline, dry cleaning solvents, or other flammable or explosive substances, as they give off vapors that could ignite or explode.
- Do not add gasoline, dry cleaning solvents, or other flammable or explosive substances to the wash water. These substances give off vapors that could ignite or explode.
- Under certain conditions, hydrogen gas may be produced in a hot water system that has not been used for two weeks or more. **HYDROGEN GAS IS EXPLOSIVE.** If the hot water system has not been used for such a period, before using the washer, turn **ON** all hot water faucets and let the water flow from each for several minutes. This will release any accumulated hydrogen gas. As the gas is flammable, do not smoke or use an open flame during this time.
- Do not allow children to play on or in the washer. Close supervision of children is necessary when the washer is used near children.
- Before the washer is removed from service or discarded, remove the door to prevent children from climbing inside.
- Do not install or store the washer where it will be exposed to the weather or freezing temperatures.
- Do not tamper with controls.
- Do not repair or replace any part of the washer or attempt any servicing other than as described in this manual. We strongly recommend that any service be performed by a qualified technician.
- See Installation Instructions for grounding requirements.
- **ALWAYS** follow the fabric care instructions supplied by the garment manufacturer.
- Do not place items exposed to cooking oil in your washer. Items contaminated with cooking oils may contribute to a chemical reaction that could cause a load to catch fire.
- Use fabric softeners or products to eliminate static only as recommended by the manufacturer.
- This washer is not designed for maritime use or for mobile installations such as in RVs, aircraft, etc.
- Turn **OFF** the water faucets and unplug the washer if the machine is to be left for an extended period of time, such as during vacations.
- Packaging material can be dangerous for children. **There is a risk of suffocation.** Keep all packaging from children.
- Always check the inside of the washer for foreign objects before loading laundry. Keep the door closed when not in use.

IMPORTANT SAFETY INSTRUCTIONS

⚠ WARNING

- **To reduce the risk of fire, electric shock, or injury to persons when using this appliance, follow basic precautions, including the following.**
- **Unplug the washer before cleaning** to avoid the risk of electric shock.
- **Never use harsh chemicals, abrasive cleaners, or solvents to clean the washer.** They will damage the finish.
- **Do not put oily or greasy rags or clothing on top of the washer.** These substances give off vapors that could ignite the materials.
- **Do not wash items that are soiled with vegetable or cooking oil.** These items may contain some oil after laundering and may catch fire.
- **Disconnect this appliance from the power supply before attempting any user maintenance.** Turning the controls to the OFF position does not disconnect this appliance from the power supply. Failure to follow this warning can cause serious injury, fire, electric shock, or death.
- **Do not combine detergents, fabric softeners, and/or other laundry products from different manufacturers for use in a load, unless specified on the fabric label.**
- **Do not mix chlorine bleach with ammonia or acids such as vinegar.** Follow package directions when using laundry products. Incorrect usage can produce poisonous gas, resulting in serious injury or death.
- **Do not reach into the washer while parts are moving.** Before loading, unloading, or adding items, push in the cycle selector knob and allow the drum to coast to a complete stop before reaching inside. Failure to follow this warning can cause serious injury, fire, electric shock or death.

⚠ WARNING

- **Refer to INSTALLATION INSTRUCTIONS for detailed grounding procedures.** Installation instructions are packed in the washer for the installer's reference. If the washer is moved to a new location, have it checked and reinstalled by a qualified service technician. Failure to follow this warning can cause serious injury, fire, electric shock, or death.
- **Do not, under any circumstances, cut or remove the third (ground) prong from the power cord.** Failure to follow this warning can cause serious injury, fire, electric shock, or death.
- **For personal safety, this appliance must be properly grounded.** Failure to follow this warning can cause serious injury, fire, electric shock, or death.
- **The power cord of this appliance is equipped with a 3-prong (grounding) plug which mates with a standard 3-prong (grounding) wall outlet** to minimize the possibility of electric shock hazard from this appliance.
- **This washer must be plugged into a 120VAC, 60Hz grounded outlet.** Failure to follow this warning can cause serious injury, fire, electric shock, or death.
- **Have the wall outlet and circuit checked by a qualified electrician to make sure the outlet is properly grounded.** Failure to follow this warning can cause serious injury, fire, electric shock, or death.
- **Where a standard 2-prong wall outlet is encountered, it is your personal responsibility and obligation to have it replaced with a properly grounded 3-prong wall outlet.** Failure to follow this warning can cause serious injury, fire, electric shock, or death.
- **Do not install on carpet. Install the washer on a solid floor.** Failure to follow this warning can cause serious leak damage.
- **Do not remove grounding prong. Do not use an adapter or extension cord. Plug into a grounded 3-prong outlet.** Failure to follow these warnings can cause serious injury, fire, electric shock, or death.
- **The washer should always be plugged into its own individual electrical outlet which has a voltage rating that matches the rating plate.** This provides the best performance and also prevents overloading house wiring circuits which could cause a fire hazard from overheated wires.
- **Never unplug your washer by pulling on the power cord.** Always grip plug firmly and pull straight out from the outlet. Failure to follow this warning can cause serious injury, fire, electric shock, or death.
- **Immediately repair or replace all power cords that have become frayed or otherwise damaged. Do not use a cord that shows cracks or abrasion damage along its length or at either end.** Consult with a qualified service technician. Failure to follow this warning can cause serious injury, fire, electric shock, or death.
- **When installing or moving the washer, be careful not to pinch, crush, or damage the power cord.** Failure to follow this warning can cause serious injury, fire, electric shock, or death.
- **The washer must be installed and electrically grounded by a qualified service technician in accordance with local codes** to prevent shock hazard and assure stability during operation.
- **The washer is heavy. Two or more people may be needed to install and move the appliance.** Failure to do so can result in damage to property or serious bodily injury.
- **Store and install the washer where it will not be exposed to temperatures below freezing or exposed to outdoor weather conditions.** Failure to follow this warning can cause serious leak damage.
- **To reduce the risk of electric shock, do not install the washer in humid spaces.** Failure to follow this warning can cause serious injury, fire, electric shock, or death.

⚠ WARNING: RISK TO CHILDREN

- Do not allow children to play on or in the washer. Close supervision of children is necessary when the washer is used near children. As children grow, teach them the proper, safe use of all appliances. Failure to comply with these warnings could result in serious personal injury.
- Destroy the carton, plastic bag, and other packing materials after the washer is unpacked. Children might use them for play. Cartons covered with rugs, bedspreads, or plastic sheets can become airtight chambers. Failure to comply with these warnings could result in serious personal injury.
- Keep laundry products out of children's reach. To prevent personal injury, observe all warnings on product labels. Failure to comply with these warnings could result in serious personal injury.
- Before your washer is removed from service or discarded, remove the door to the washing compartment to avoid the danger of children or small animals getting trapped inside. Failure to do so can result in serious personal injury or death.

GROUNDING REQUIREMENTS

IMPORTANT: Please read carefully. TO CONNECT ELECTRICITY

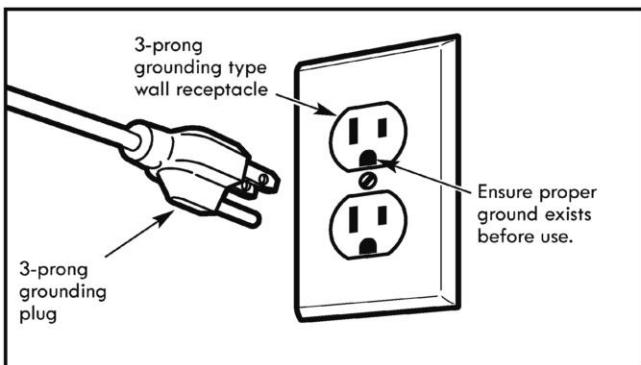
⚠ WARNING

Improper connection of the equipment-grounding conductor can result in risk of electric shock. Check with a qualified electrician or service technician if you are in doubt as to whether the appliance is properly grounded. Do not modify the plug provided with the appliance. If it does not fit the outlet, have a proper outlet installed by a qualified electrician. Failure to follow these warnings can cause serious injury, fire, electric shock, or death.

GROUNDING INSTRUCTIONS

This appliance must be grounded. In the event of malfunction or breakdown, grounding will reduce the risk of electric shock by providing a path of least resistance for electric current. This appliance is equipped with a cord having an equipment-grounding conductor and grounding plug. The plug must be plugged into an appropriate outlet that is properly installed and grounded in accordance with all local codes and ordinances.

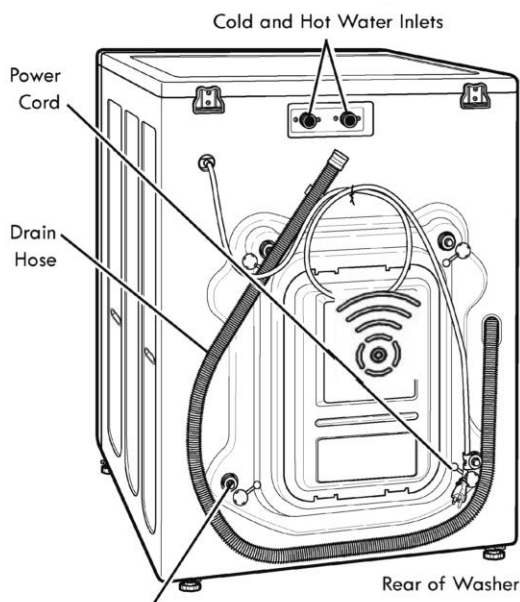
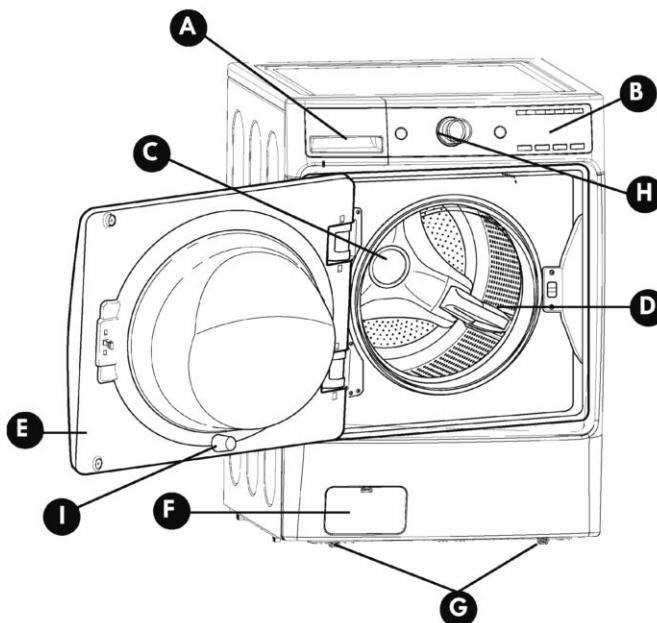
- Do not use extension cord.
- Do not remove ground pin from plug.



FEATURES AND BENEFITS

KEY PARTS AND COMPONENTS

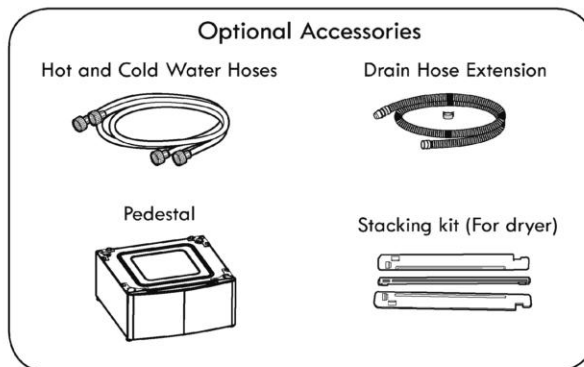
- A DETERGENT DISPENSER**
There are four compartments. One each for prewash, main wash, liquid bleach, and liquid fabric softener.
- B CONTROL PANEL WITH LED DISPLAY**
The easy-to-read LED display shows cycle options, settings, cycle status, and estimated time remaining during operation.
NOTE: Sensors in the washer automatically detect the size of the wash load to optimize washing time, based on the selected cycle and options.
- C DIRECT-DRIVE MOTOR**
The direct-drive motor provides improved performance and reliability while increasing energy efficiency. (Motor is not visible.)
- D LARGE-CAPACITY STAINLESS STEEL DRUM**
The ultra-large stainless steel drum offers extreme durability and is tilted to improve efficiency and allow easier access for large items.
- E EASY-ACCESS LOCKING DOOR**
The extra-large door locks during operation. The door will not open until it is safe to do so.
- F FILTER ACCESS PANEL**
Provides easy access to the drain pump filter, which allows you to clean the filter or retrieve lost items without a service call.
- G LEVELING FEET**
Four leveling feet (two in the front and two in the back) adjust to improve washer stability on uneven floors. Feet are adjusted and locked in place using the adjusting wrench included with the washer.
- I DOOR MAGNET**
Safely and conveniently keeps the door ajar. There are two door closed positions, fully closed and slightly ajar. In the latter position, the door is only closed to the door magnet to keep the door slightly open when the washer is not in use. This will promote air circulation and allow the interior of the machine to dry. To use this feature, close the door just until it contacts the door magnet.



Shipping Bolts/Retainers (4)
NOTE: Bolts/Retainers MUST be removed prior to operation. Keep for future use.



Wrench appearance may vary.



INSTALLATION REQUIREMENTS

KEY DIMENSIONS AND SPECIFICATIONS

Description	Front-Loading Washer
Electrical Requirements	120 VAC, 60Hz
Max. Water Pressure	20-120 PSI (138 - 827 kPa)
Dimensions	27 in. (W) X 29 ³ / ₄ in. (D) X 38 ¹¹ / ₁₆ in. (H), 51 in. (D, with door open) 68.6 cm (W) X 75.6 cm (D) X 98.3 cm (H), 129.5 cm (D, with door open)
Net Weight	205 lbs (93 kg)
Max. Spin Speed	1,300 RPM

CHOOSE THE PROPER LOCATION

WARNING

- **This washer is heavy. Two or more people are required when moving and unpacking the washer.** Failure to do so may result in damage to property or serious bodily harm.
- **Store and install the washer where it will not be exposed to temperatures below freezing or exposed to outdoor weather conditions.** Failure to follow this warning can cause serious injury, fire, electric shock, or death.
- **Properly ground washer to conform with all electric governing codes and ordinances.** Failure to follow this warning can cause serious injury, fire, electric shock, or death.
- **To reduce the risk of electric shock, do not install the washer in humid spaces.** Failure to follow this warning can cause serious injury, fire, electric shock, or death.
- **To ensure proper air flow, do not block the large opening on the bottom of the washer with carpeting or other materials.**
- **Do not remove ground prong. Do not use an adapter or extension cord. Plug into a grounded 3-prong outlet.** Failure to follow this warning can cause serious injury, fire, electric shock, or death.

Power Outlet

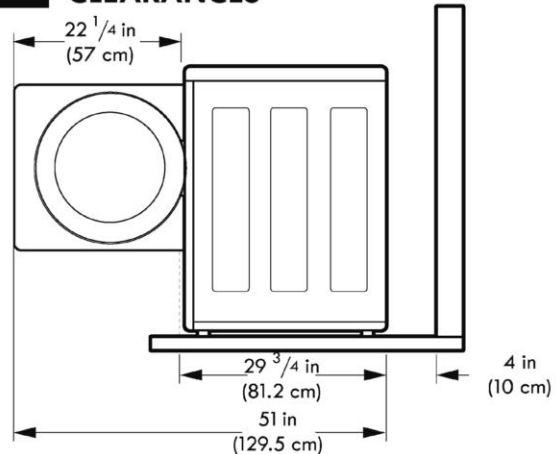
- The power outlet must be within 60 in. (1.5 m) of either side of the washer.
- The appliance and outlet must be positioned so that the plug is easily accessible.
- Do not overload the outlet with more than, one appliance.
- The outlet must be grounded in accordance with current wiring electric codes and regulations.
- Time-delay fuse or circuit breaker is recommended.

NOTE: It is the personal responsibility and obligation of the product owner to have a proper outlet installed by a qualified service technician.

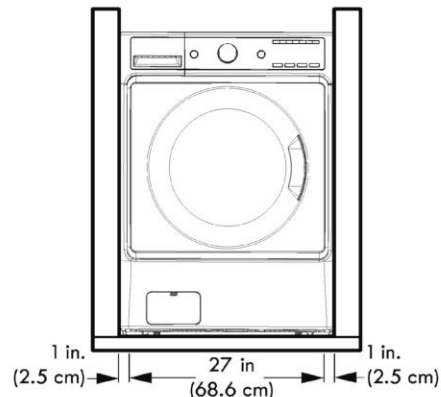
FLOORING

- To minimize noise and vibration, the washer **MUST** be installed on a solidly constructed floor. See the NOTE to your right.
- Allowable slope under the entire washer is a maximum 1 in. difference from side to side or from front to back.
- Installing on carpeting and soft tile surfaces is not recommended.
- Never install the washer on a platform or weakly supported structure.

CLEARANCES



To ensure sufficient clearance for water lines and airflow, allow minimum clearances of at least 1 in. (2.5 cm) at the sides and 4 in. (10 cm) behind the unit. Be sure to allow for wall, door, or floor moldings that may increase the required clearances.



Allow at least 22 1/4 in (57 cm) in front of the washer to open the door.

NOTE: The floor must be strong and rigid enough to support the weight of the washer, when fully loaded, without flexing or bouncing. If your floor has too much flex, you may need to reinforce it to make it more rigid. A floor that is adequate for a top-loading washer may not be rigid enough for a front loading washer, due to the difference in the spin speed and direction. If the floor is not solid, your washer may vibrate and you may hear and feel the vibration throughout your house.

UNPACKING AND REMOVING SHIPPING BOLTS

When removing the washer from the carton base, be sure to remove the foam drum support in the middle of the carton base. See drawing below.

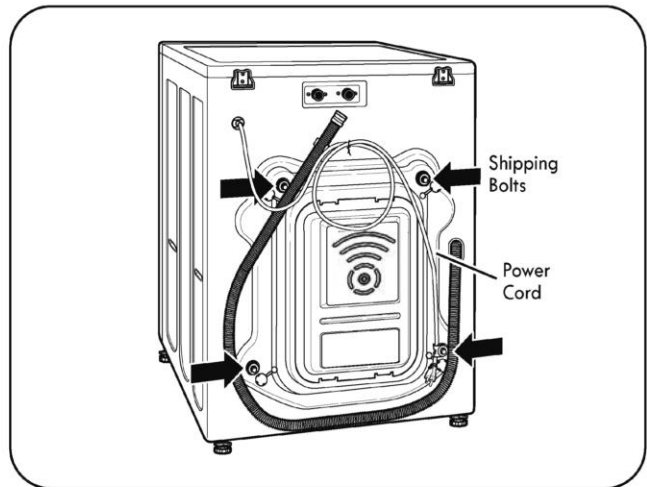
If you must lay the washer down to remove the base packaging materials, always protect the side of the washer and lay it carefully on its side. **DO NOT** lay the washer on its front or back.

To prevent internal damage during transport, the washer is equipped with four shipping bolts and plastic retainers.

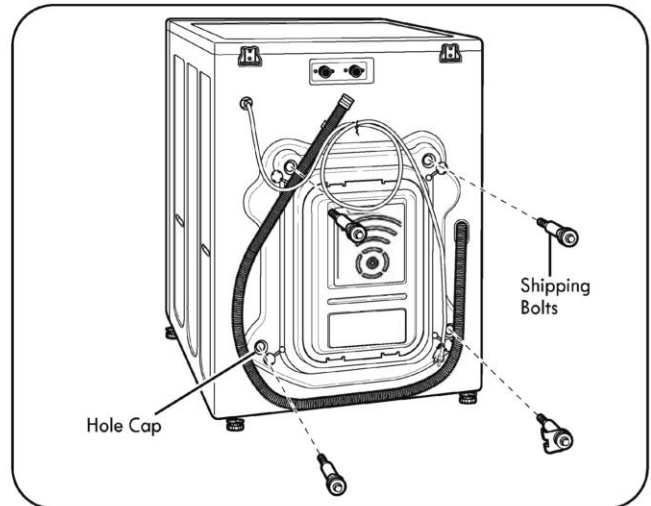
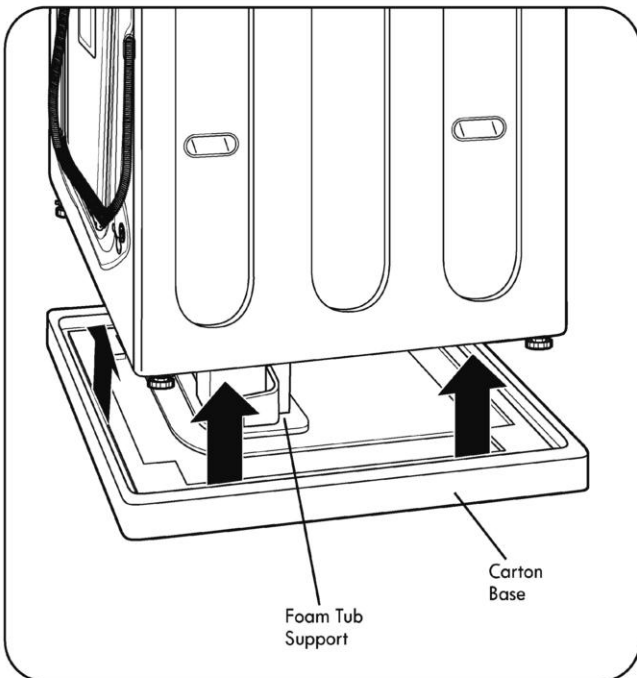
IMPORTANT:

- These shipping bolts and retainers **MUST NOT** be removed until just before moving the washer into its final position.
- These bolts and retainers **MUST** be removed before operating the washer.
- Failure to remove shipping bolts and retainers may cause severe vibration and noise, which can lead to permanent damage to the washer.

NOTE: The power cord is secured to the back of the washer with a shipping bolt to help prevent operation with shipping bolts in place.



1. Starting with the bottom two shipping bolts, use the wrench (included) to fully loosen all four shipping bolts by turning them counterclockwise.

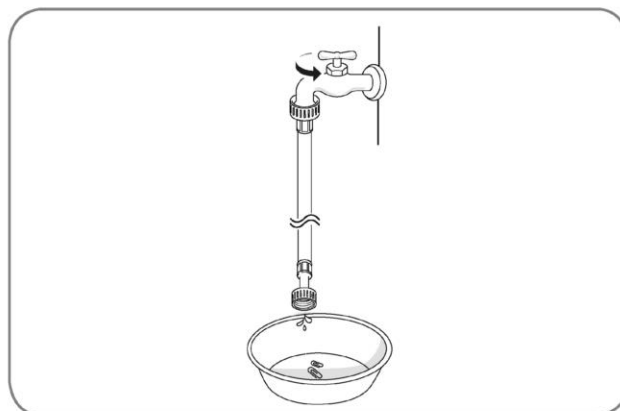


2. Remove the bolt assemblies by wiggling them slightly while pulling.
3. Locate the four hole caps included in the accessory pack and install them in the shipping bolt holes.

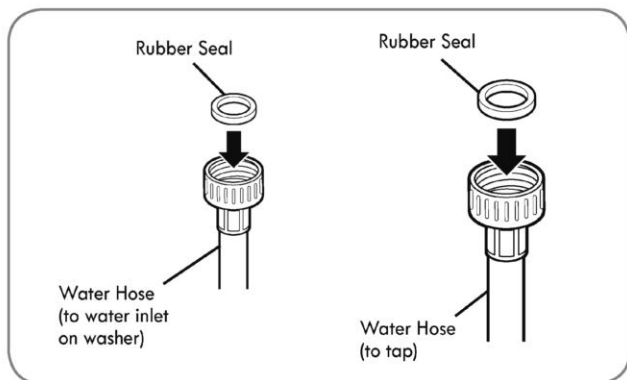
NOTE: Save the bolt assemblies for future use. To prevent damage to internal components, **DO NOT** transport the washer without reinstalling the shipping bolts.

CONNECTING THE WATER LINES

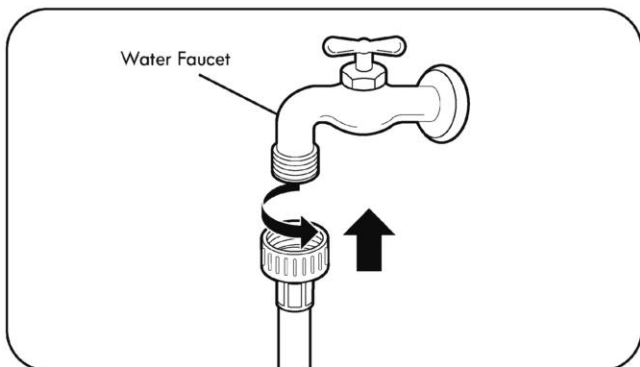
- **IMPORTANT:** Use new hoses when installing the washer. Do NOT reuse old hoses.
- Water supply pressure must be between 20 psi and 120 psi (138 – 827 kPa). If the water supply pressure is more than 116 psi, a pressure reducing valve must be installed.
- Periodically check the hose for cracks, leaks, and wear, and replace the hose if necessary.
- Make sure that the water lines are not stretched, pinched, crushed, or kinked.
- The washer should never be installed or stored in a location subject to freezing temperatures. Damage to the water lines and internal mechanisms of the washer can result. If the washer was exposed to freezing temperatures prior to installation, allow it to stand at room temperature for several hours before use and check for leaks prior to operation.
- For optimal wash performance, the hot water temperature should be set at 120°-135°F (48-57°C) and the cold water at 60°F (15°C).



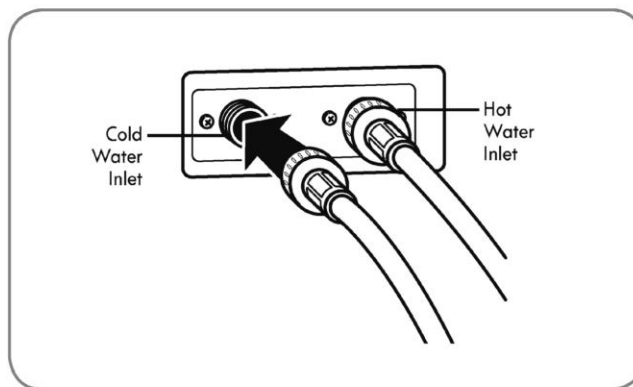
3. Always run a gallon or two (4L) of water through each inlet hose to flush dirt, scale and other debris out of the water lines. Doing so will help prevent future problems with clogged filter screens, and will also allow you to verify which hose is hot and which is cold.



1. Inspect the threaded fitting on each hose and make sure there is a rubber seal in place in both ends.



2. Connect the water supply hoses to the HOT and COLD water faucets tightly by hand and then tighten another 2/3 turn with pliers.



WARNING: Do not overtighten the hoses. Overtightening can damage the valves resulting in leaking and property damage.

4. Attach the (red) hot water line to the hot water inlet on the back of the washer. Attach the (blue) cold water line to the cold water inlet on the back of the washer. Tighten the fittings securely.

NOTE: When installing the hoses onto the water inlet valves, be careful not to cross-thread the hose fittings. DO NOT overtighten the hoses; this could cause damage to internal components, the valve or the hose gasket. Overtightening could result in property damage from leaks.

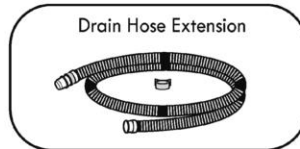
INSTALLATION INSTRUCTIONS

CONNECTING THE DRAIN HOSE

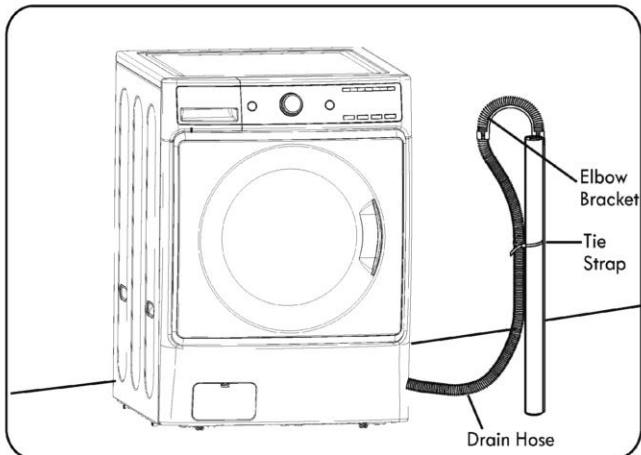
- The drain hose should always be properly secured. Failure to properly secure the drain hose can result in flooding and property damage.
- Do not install the end of the drain hose higher than 96 in. (243.8 cm) above the bottom of the washer.
- The drain must be installed in accordance with any applicable local codes and regulations.
- Make sure that the drain hose is not stretched, pinched, crushed, or kinked.

NOTE:

A drain hose extension kit is available if the drain hose is not long enough. Do not extend the drain hose more than 6 feet, as this will cause poor draining, which will result in poor wash and spin performance.



Option 1: Standpipe

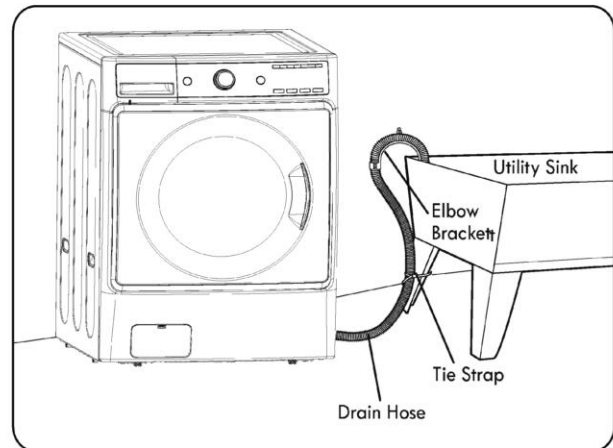


Install the end of the drain hose into the elbow bracket. Do not extend the drain hose more than 4 inches (10 cm) past the end of the elbow bracket. Use a tie strap to secure the drain hose in place.

NOTE:

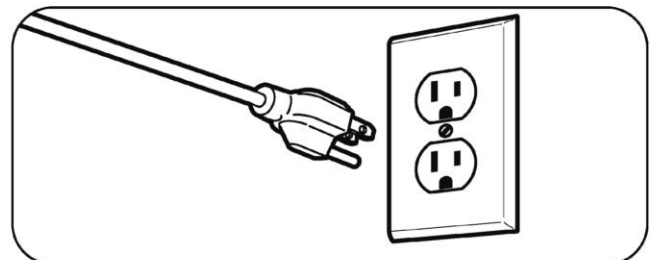
- Total height of the hose end should not exceed 96 in. (243.8 cm) from the bottom of the washer.
- The drain hose should be inserted no more than 8–12 inches into the standpipe. Inserting more than 8-12 inches (20-30 cm) can cause mold or microorganisms to spread to the inside of the washer.

Option 2: Laundry Drum



CONNECT TO THE POWER SUPPLY

Washer should be plugged into a 120-VAC, 60-Hz grounded 3-prong outlet. Plug in the washer.



LEVELING THE WASHER

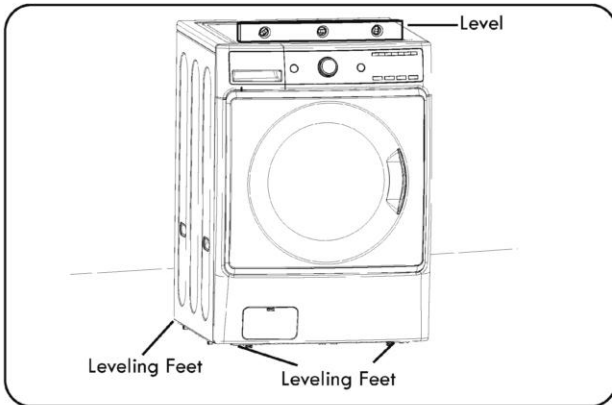
The drum of your new washer spins at very high speeds. To minimize vibration, noise, and unwanted movement, the floor must be a level, solid surface.

NOTE: Adjust the leveling feet only as far as necessary to level the washer. Extending the leveling feet more than necessary can cause the washer to vibrate.

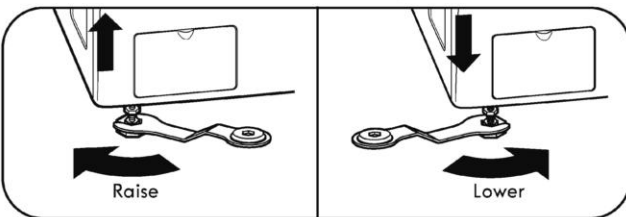
NOTE: Before installing the washer, make sure that the floor is clean, dry and free of dust, dirt, water and oils so the washer feet cannot slide easily. Leveling feet that move or slide on the floor can contribute to excess vibration and noise due to poor contact with the floor. See **INSTALLATION OF NON-SKID PADS** for more information.

NOTE: If a drip pan must be used, make sure to follow the instructions provided with the drip pan and make sure the leveling feet are adjusted for firm and even contact with the pan. Use of drip pans and failure to properly level the machine may result in increased vibration and noise during operation.

All four leveling feet must rest solidly on the floor. Rock the washer from corner to corner to make sure that all four leveling feet are in firm and even contact with the floor.

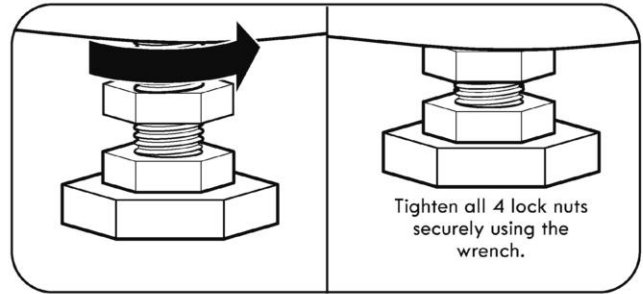


1. Position the washer in its final location, taking special care not to pinch, strain, or crush the water and drain lines. Place a level across the top of the washer.



2. Loosen the locknuts on all four leveling feet with the wrench until you can adjust the feet (wrench appearance may vary). Use the wrench to turn the feet clockwise to raise the washer, and counterclockwise to lower the washer. Using a level, adjust the feet until the washer is level from side to side and front to back. Make sure that all four feet are in firm contact with the floor.

NOTE: If you are installing the washer on the optional pedestal, the washer leveling feet should be fully retracted. Use the leveling feet on the pedestal to level the washer.



3. Once the washer is level from side to side and front to back, use the adjusting wrench to tighten all four lock nuts securely to prevent the legs from getting out of adjustment during operation. Make sure that all four leveling feet are in firm contact with the floor.

NOTE: To make sure that the washer is properly level, run the washer with a test load: place a medium-sized load of laundry in the machine. Then, press **POWER**, select **RINSE & SPIN**, and press the **START/PAUSE** button.

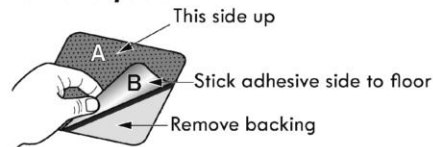
See the following sections for additional information on cycle selection and operation. Verify that the washer does not rock or vibrate excessively during the spin cycle. If the washer vibrates or shakes, adjust the leveling feet, while the washer is spinning, until the vibrations are reduced.

INSTALLATION OF NON-SKID PADS (optional)

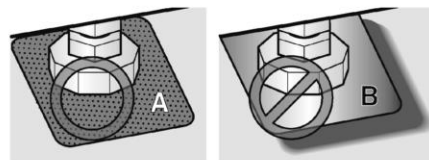
Some floor surfaces are too slippery to prevent the washer from moving on the floor during heavily unbalanced loads. While it is normal for an occasional load to be out of balance, excess noise and vibration can result from the washer moving out of position. If these conditions are encountered, follow the instructions below for installation of the non-skid pads. These pads will help prevent the washer from moving during heavy, out of balance conditions, thereby reducing noise and vibration.

NOTE: The non-skid pads are included in the installation packet

Non-skid pads



* Place the pads under both front feet.

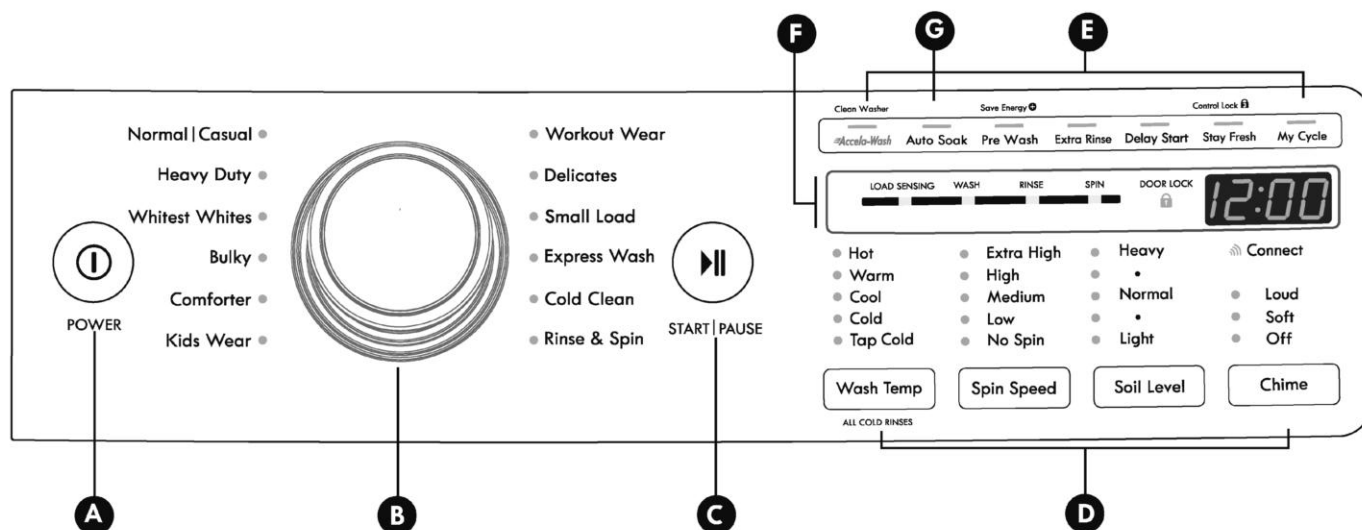


HOW TO USE



WARNING: To reduce the risk of fire, electric shock, or injury to persons, read and follow this entire Use & Care Guide, including the Important Safety Instructions, before operating this washer.

CONTROL PANEL FEATURES



A POWER (ON/OFF) BUTTON

Press to turn the washer ON or OFF.

NOTE: Pressing the POWER button during a cycle will cancel that cycle and any load settings will be lost. The door will unlock after a brief pause, unless the water level or temperature is too high.

B CYCLE SELECTOR KNOB

Turn this knob to select the desired cycle. Once the desired cycle has been selected, the standard presets will appear in the display. These settings can be adjusted using the cycle setting buttons anytime before starting the cycle.

C START/PAUSE BUTTON

Press this button to start the selected cycle. If the washer is running, use this button to pause the cycle without losing the current settings.

NOTE: If you do not press the START/PAUSE button within four minutes of selecting a cycle, the washer automatically turns OFF.

D CYCLE MODIFIER BUTTONS

Use these buttons to adjust the settings for the selected cycle. The settings light up above the buttons to show the current selection.

E SPECIAL CYCLE AND OPTION BUTTONS

These buttons are used to activate special cycles or options.

F TIME AND STATUS DISPLAY

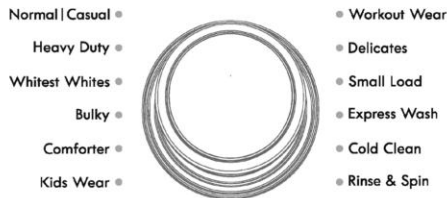
The display shows the cycle status, door lock status and estimated time remaining.

NOTE: To protect your clothing, not all settings are available on all cycle selections.

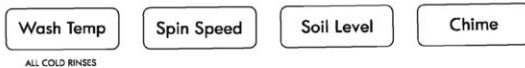
OPERATING THE WASHER



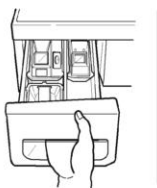
POWER



- Hot
- Warm
- Cool
- Cold
- Tap Cold
- Extra High
- High
- Medium
- Low
- No Spin
- Heavy
- •
- Normal
- •
- Light
- Connect
- Loud
- Soft
- Off



ALL COLD RINSES



START | PAUSE

1 SORT LAUNDRY AND LOAD WASHER

Sort laundry by fabric type, soil level, color and load size, as needed. Open the door and load selected items into the washer.

2 TURN ON THE WASHER

Press the POWER button to turn ON the washer. The lights around the cycle selector knob will illuminate and a chime will sound.

3 SELECT A CYCLE

Turn the cycle selector knob in either direction to select the desired cycle. The preset Wash Temperature, Spin Speed, Soil Level, and Option settings for that cycle will be shown.

4 SELECT CYCLE MODIFIERS

Default settings for the selected cycle can now be changed if desired. Use the cycle modifier buttons.

NOTE: To protect your fabrics, not all modifiers are available on all cycles.

5 SELECT CYCLE OPTIONS

Cycle options can be added using the option buttons.

NOTE:

- To protect your fabrics, not all modifiers are available on all cycles. Cycle options can also be added by using the option buttons.
- Not all options are available on all cycles. A different chime will sound and the LED will not come on if the selection is not allowed.

6 ADD DETERGENT

Add High-Efficiency (HE) detergent to the detergent dispenser drawer. For proper wash performance, always measure the detergent using the measure provided by the detergent manufacturer.

7 BEGIN CYCLE

Press the START/PAUSE button to begin the cycle. The door will lock, and the washer will briefly tumble the load without water to measure its weight.

Pressing the START/PAUSE button will pause the cycle and the door will unlock. Press the START/PAUSE button again to resume the wash cycle.

HOW TO USE

CYCLE GUIDE

The cycle guide below shows the default settings, available options and recommended fabric types for each cycle. Allowable modifier adjustments are shown below the default setting for each cycle.

● = Available Option
 ■ = Default Setting

Cycle	Fabric or Load Type	Display Time (Min.)	Load Sensing	Wash Option	Wash Temp.	Spin Speed	Soil Level	Accela-Wash	Steam Treat	Pre-wash	Extra Rinse	Delay Start	Stay Fresh	Auto Soak	Save Energy+	
Normal/Casual	Cotton, linen, towels, shirts, sheets, jeans, mixed loads.	26-53	Yes	Yes	Warm	High	Normal	●	●	●	●	●	●	●	●	
					Extra High Hot Cold Tap Cold	Extra High Medium Low No Spin	Heavy Light									
Heavy Duty	Heavily soiled cotton fabrics.	74-131	Yes	Yes	Warm	Extra High	Heavy	●	●	●	●	●	●	●	●	●
					Hot Cold Tap Cold	High Medium Low No Spin	Normal Light									
Whitest Whites	Heavily to normally soiled white cottons.	66-76	Yes	Yes	Hot	High	Normal	●	●	●	●	●	●	●	●	●
					Warm Cold Tap Cold	Extra High Medium Low	Heavy Light									
Bulky	Large items such as blankets and comforters.	56	No	Yes	Warm	Medium	Normal	●	●	●	●	●	●	●	●	●
					Hot Cold Tap Cold	Low No Spin	Heavy Light									
Comforter	Comforters, blankets, rugs.	56	Yes	Yes	Warm	High	Normal	●	●	●	●	●	●	●	●	●
					Hot Cold Tap Cold	Medium Low No Spin	Heavy Light									
Kids Wear	Specially designed to clean and thoroughly rinse kids wear.	86-96	Yes	Yes	Hot	High	Heavy	●	●	●	●	●	●	●	●	●
					Warm Cold Tap Cold	Extra High Medium Low No Spin	Normal Light									

NOTE:

- To protect your garments, not every wash temperature, spin speed, soil level, or option is available with every cycle. A chime will sound and the LED will not light if the selection is not allowed.
- The washer automatically adjusts the wash time for the amount of laundry, water pressure, water heating time and other operating conditions.
- These cycles use various wash motions to enhance cleaning and/or fabric care performance. The wash motions may sound different at different stages of the wash cycle. This is normal.
- The recommended load size for the Sanitize cycle is 10 lbs (4.5 kg).
- When the Accela-wash option is selected, the drum spins to rinse the clothes. To use the No Spin option, you must deselect the Accela-wash option.

CYCLE GUIDE (continued)

The cycle guide below shows the default settings, available options and recommended fabric types for each cycle. Allowable modifier adjustments are shown below the default setting for each cycle.

● = Available Option
 ■ = Default Setting

Cycle	Fabric or Load Type	Display Time (Min.)	Load Sensing	Wash Option	Wash Temp.	Spin Speed	Soil Level	Accela-Wash	Steam Treat	Pre-wash	Extra Rinse	Delay Start	Stay Fresh	Auto Soak	Save Energy+
Workout Wear	Permanent press, synthetic items.	57	No	Yes	Warm	Medium	Normal								
					Cold Tap Cold	Low No Spin	Heavy Light			●	●	●	●		
Delicates	Dress shirts, blouses, nylons, sheer or lacy garments.	41	No	Yes	Cold	Medium	Normal								
					Warm Tap Cold	Low No Spin	Heavy Light			●	●	●	●	●	
Small Load	Normally soiled and small loads.	45	Yes	Yes	Warm	High	Normal								
					Hot Cold Tap Cold	Extra High Medium Low No Spin	Heavy Light			●	●	●	●		
Express Wash	Lightly soiled clothing and small loads.	15	No	Yes	Hot	Extra High	Light								
					Warm Cold Tap Cold	High Medium Low No Spin	Normal Heavy	●			●	●	●		
Cold Clean	Small loads of cotton, linen, towels, shirts, sheets, jeans, mixed loads.	73-82	Yes	Yes	Cold	High	Normal								
					Tap Cold	Extra High Medium Low No Spin	Light			●	●	●	●	●	
Rinse & Spin	Loads that only need to be rinsed.	18	No	No	Cold	High	N/A								
						Extra High Medium Low No Spin				●	●	●			

NOTE:

- To protect your garments, not every wash temperature, spin speed, soil level, or option is available with every cycle. A chime will sound and the LED will not light if the selection is not allowed.
- The washer automatically adjusts the wash time for the amount of laundry, water pressure, water heating time and other operating conditions.
- These cycles use various wash motions to enhance cleaning and/or fabric care performance. The wash motions may sound different at different stages of the wash cycle. This is normal.
- The recommended load size for the Sanitize cycle is 10 lbs (4.5 kg).
- When the Accela-wash option is selected, the drum spins to rinse the clothes. To use the No Spin option, you must deselect the Accela-wash option.

SORTING WASH LOADS

Fabric Care Labels

Many articles of clothing include a fabric care label. Using the chart below, adjust the cycle and option selections to care for your clothing according to the manufacturer's recommendations.

Fabric Care Labels

Machine wash cycle: Normal, Permanent press/wrinkle resistant, Gentle/delicate

Hand wash, Do not wash, Do not wring

Water temperature: Hot, Warm, Cold/cool

Bleach symbols: Any bleach (when needed), Only non-chlorine bleach (when needed), Do not bleach

Grouping Similar Items

For the best washing results, and to reduce the possibility of damage to clothing, care should be taken to sort the clothing into loads that are made up of similar items. Mixing different fabric types and/or soil levels can result in poor wash performance, color transfer or discoloration, fabric damage or linting. Fabrics should be sorted into groups as described below.

Colors

Sort articles by color. Wash dark clothes together in a separate load from light colors or whites. Mixing dark clothes with light clothes can result in dye transfer or discoloration of the lighter clothes.

Soil Level

Wash heavily soiled clothing together. Washing lightly soiled clothing in the same load with heavily soiled clothing could result in poor wash performance for the lightly soiled clothing.

Fabric Type

Delicate articles should not be mixed with heavier or sturdier fabric types. Washing delicates in a load with heavy fabrics can result in damage to the more delicate fabrics. Washing heavier fabrics in a delicate load can result in poor wash performance for the heavier fabrics and possible damage to the delicates.

Lint Type

Some fabrics attract and bind lint to them while others give off lint in the laundry process. Avoid mixing these lint collectors and lint producers in the same load. Mixing these fabrics will result in pilling and linting on the lint collectors. (For example, lint collector – knit sweater; lint producer – terrycloth towels.)

Loading the Washer

- Check all pockets to make sure that they are empty. Items such as clips, matches, pens, coins, and keys can damage both your washer and your clothes.
- Close zippers, hooks, and drawstrings to prevent these items from snagging or tangling on other clothes.
- Pretreat heavily stained areas for best results.
- Combine large and small items in a load. Load large items first.
- Large items should not be more than half of the total wash load.
- The drum should not be tightly packed with items. The door of the washer should close easily.
- To prevent an out-of-balance load, do not wash single items. Add one or two similar items to the load. Large, bulky items, such as a blanket, comforter, or bedspread, should be washed individually.
- Do not wash or spin waterproof items, such as rain coats, sleeping bags, etc.
- When unloading the washer, check under the door seal for small items.

NOTE: Make sure that the door seal area is clear when closing the door. Overloading the washer can cause items to get caught between the door and the seal. This can damage both the items and the seal.

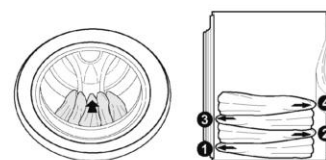


- **DO NOT OVERLOAD THE DRUM**
- **MAKE SURE CLOTHING IS NOT CAUGHT IN THE DOOR GASKET**

Sort Laundry...

by Colors	by Soil	by Fabric	by Lint
Whites	Heavy	Delicates	Lint Producer
Lights	Normal	Easy Care	Lint Collector
Darks	Light	Sturdy	

- For best performance, load clothes as shown.



- Load clothes loosely, and do not overfill the drum. Clothes need room to circulate in order to get clean.
- Do not press down on items while stacking them in the drum.

ABOUT THE DISPENSER DRAWER

The automatic dispenser consists of four compartments which hold:

- Liquid chlorine bleach.
- Liquid fabric softener.
- Liquid or powdered detergent for prewash.
- Liquid or powdered detergent and color-safe bleach for main wash.

Pre-Wash Detergent Compartment

Add liquid or powdered detergent to this compartment when using the Pre-Wash option. Always use High-Efficiency (HE) detergent with your washing machine.

The amount of detergent added for the Pre-Wash option should be $\frac{1}{2}$ the amount recommended for the main wash cycle. For example, if the main wash cycle requires $\frac{1}{2}$ measure of detergent, add $\frac{1}{4}$ measure to the Pre-Wash compartment.

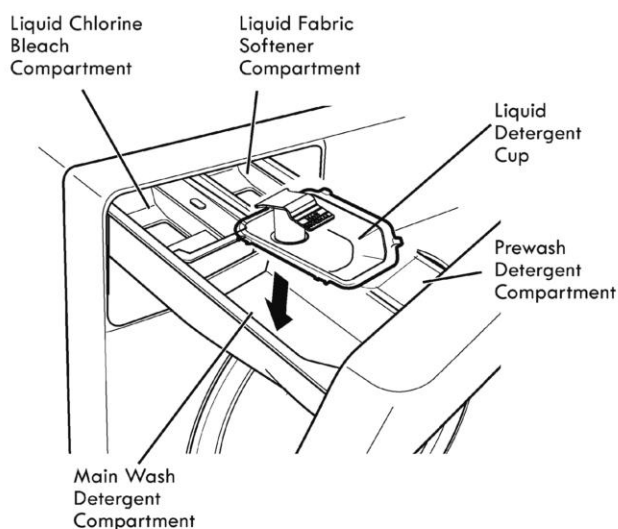
NOTE: If using liquid detergent for the main wash when using the Pre-Wash option, the liquid detergent cup accessory must be used in the main wash dispenser. This will prevent the main wash liquid detergent from being dispensed immediately.

Main Wash Detergent Compartment

This compartment holds laundry detergent for the main wash cycle. The detergent is added to the load at the beginning of the cycle. Always use High-Efficiency (HE) detergent with your washing machine. Either powdered or liquid detergent may be used.

Never exceed the manufacturer's recommendations when adding detergent. Using too much detergent can result in detergent buildup in clothing and the washer.

NOTE: Liquid or powdered color-safe bleach may be added to the main wash compartment with detergent of the same type. **DO NOT** add liquid or powdered color-safe bleach to the bleach dispenser. **DO NOT** mix liquid and powdered cleaning agents within the same compartment.



Liquid Bleach Compartment

This compartment holds liquid chlorine bleach, which is dispensed automatically at the proper time during the wash cycle.

- Do not add powdered or liquid color-safe bleach to this compartment. The bleach compartment is designed to dispense liquid chlorine bleach only. Powdered or liquid color-safe bleach will not dispense properly.
- Always follow the manufacturer's recommendations when adding bleach. Do not exceed the maximum fill line since this can cause the bleach to be dispensed immediately, causing damage to fabrics. Using too much bleach can damage fabrics.
- Never pour undiluted liquid chlorine bleach directly onto the load or into the drum. Fabric damage can occur.

Fabric Softener Compartment

This compartment holds liquid fabric softener, which is automatically dispensed during the final rinse cycle.

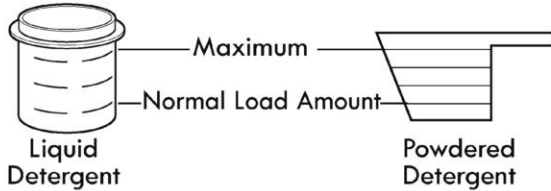
Never exceed the manufacturer's recommendations when adding softener. Using too much fabric softener can result in buildup in clothing and the washer. Either powdered or liquid fabric softener may be used.

- Always follow the manufacturer's recommendations when adding fabric softener. Do not exceed the maximum fill line. Using too much fabric softener may stain clothes.
- Dilute concentrated fabric softeners with warm water. Do not exceed the maximum fill line.
- Never pour fabric softener directly onto the load or into the drum.

DETERGENT AND DISPENSER USE

A Word About Detergents

High-Efficiency (HE) detergents produce fewer suds, dissolve more efficiently to improve washing and rinsing performance, and help to keep the interior of your washer clean. Using detergent that is not HE may cause oversudsing and unsatisfactory performance which could result in error codes, cycle failure, and machine damage.



For proper wash performance, always measure the detergent using the measurements provided by the detergent manufacturer.

The normal amount of HE detergent needed, for average loads, is less than 1/2 of the recommended maximum. **Use less detergent** for soft water, light soil or smaller loads. **Never** use more than the maximum amount recommended by the detergent manufacturer.



Designed to use only High-Efficiency (HE) detergent

IMPORTANT: Your washing machine is designed for use with only High-Efficiency (HE) detergents. HE detergents are formulated specifically for front-load washers and contain suds-reducing agents. Always look for the HE symbol when purchasing detergent.

IMPORTANT: Not all detergents are the same. Pay careful attention to the amount of detergent used to avoid oversudsing, poor rinsing and detergent buildup in clothing, and residue buildup that can contribute to odors in the machine. **NEVER** use a cup or scoop other than the one supplied by the manufacturer of the detergent you are using. **Never** use more than the maximum amount of detergent recommended by the manufacturer.

Always measure the detergent amount. While HE detergents are designed for this type of washing machine, be careful when measuring the detergent. For most normal loads, no more than 1/4 to 1/2 of cap or scoop of HE detergent should be used.

NOTE: Extra care must be exercised when using **2X** and **3X** concentrated detergents because even a little bit extra can contribute to the problems mentioned above.

NOTE: Detergents designated as HE compatible may not provide optimal results.

Filling the Dispenser

To add detergent, bleach, and fabric softener to the automatic dispenser:

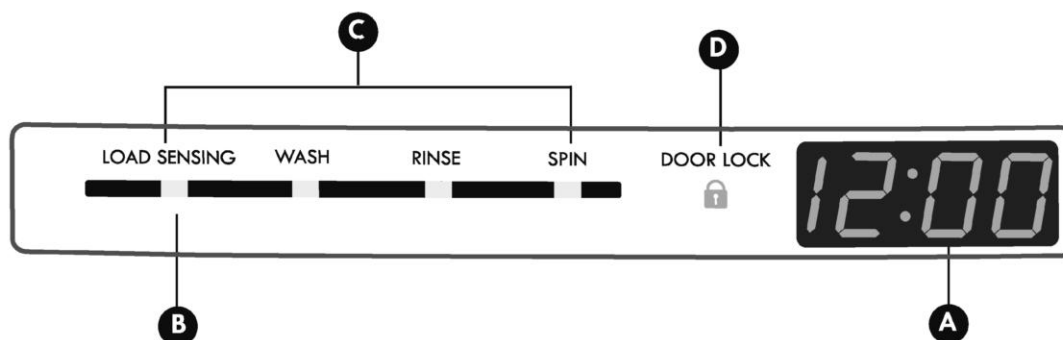
- 1** Open the dispenser drawer.
- 2** Load the laundry products into the appropriate compartments.
- 3** Close the drawer before starting the cycle.

NOTE: It is normal for a small amount of water to remain in the bleach and softener compartments at the end of the cycle.

IMPORTANT: Do not place or store laundry products, such as detergent, bleach, or liquid fabric softener, on top of your washer or dryer. Wipe up any spills immediately. These products can damage the finish and controls.

TIME AND STATUS DISPLAY

The time and status display shows the estimated time remaining, cycle progress, and door lock status.



A ESTIMATED TIME REMAINING

When the START/PAUSE button is pressed, the washer will automatically detect the load size for cycles that use load sensing. The control will then optimize the wash and rinse times, based on the selected cycle, modifiers and options. When the load size has been determined, the display will change from dashes (- - -) to the estimated time for that cycle. For non-load sensing cycles, the estimated time will display when the cycle is selected.

NOTE:

- The time shown is only an estimate. For example, the time displayed may pause for a period of time while the machine is heating the water or balancing the load. Under certain conditions, the machine can pause for extended periods of time.
- Estimated time is based on normal operating conditions. Several external factors (load size, room temperature, incoming water temperature, etc.) also affect the length of estimated time vs. actual time.

B LOAD-SENSING INDICATOR

At the beginning of cycles that use the load sensing feature, the LOAD SENSING light will blink while the load size is being measured. Once the size has been determined, the control adjusts the cycle for optimum performance. Estimated time remaining will not display until the load size has been determined, and may be different for each load.

C CYCLE STATUS INDICATOR

These status LEDs illuminate to indicate which stage of the cycle is currently running. A blinking light indicates the active stage of the cycle. When that stage is complete, the light will remain steady.

D DOOR LOCK INDICATOR

Indicates that the door is locked. The washer door will lock while the washer is operating. The door can be unlocked by pressing START/PAUSE to pause the washer.

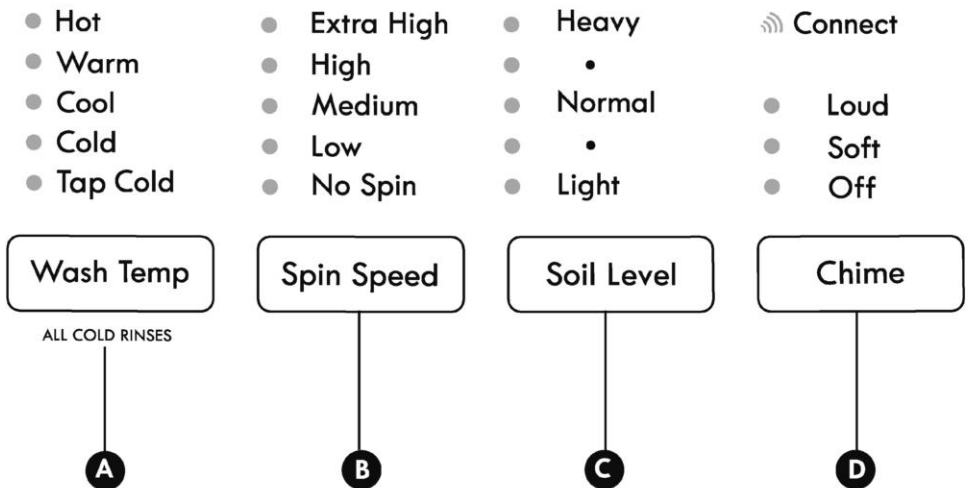
NOTE:

- If the temperature in the washer is too high, the door cannot be unlocked until the washer has cooled.
- If the water level is too high, the door will not unlock. To drain the water, press POWER, then press the SPIN SPEED button without selecting a cycle. Press START/PAUSE and the water will drain and the clothes will spin out. Do not try to force the door open, as this will damage the door.

CYCLE MODIFIER BUTTONS

Each cycle has default settings that are selected automatically. You may also customize these settings using the cycle modifier buttons. Press the button for the desired modifier until the indicator light for the desired value is lit. The washer automatically adjusts the water level for the type and size of wash load for best results and maximum efficiency. Due to the high-efficiency nature of this product, water levels may be much lower than expected. This is normal operation and cleaning/rinsing performance will not be compromised.

NOTE: To protect your garments, not every wash temperature, spin speed, soil level, or option is available with every cycle. A chime will sound and the LED will not light if a selection is not allowed.



A WASH TEMP

Wash Temp selects the wash and rinse temperature combination for the selected cycle. Press the Wash Temp button until the indicator light for the desired setting is lit.

- Your washer features a heating element to boost the hot water temperature for Extra Hot settings. This provides improved wash performance at normal water heater settings.
- Select the water temperature suitable for the type of load you are washing. Follow the garment fabric care labels for best results.
- Cold rinses use less energy. The actual rinse temperature depends on the temperature of the cold water at the faucet.
- Cold water is used for all rinse cycles.

B SPIN SPEED

Higher spin speeds extract more water from clothes, reducing drying time and saving energy.

Press the SPIN SPEED button until the desired speed is selected. Some fabrics, such as delicates, require a slower spin speed. To protect your clothing, not all spin speeds are available for all cycles.

The Drain & Spin cycle:

1. Press the POWER button to turn ON the washer.
2. Press the SPIN SPEED button to select the desired spin speed. For drain only, select the NO SPIN option.
3. Press the START/PAUSE button. The water will drain and the clothes will tumble before the spin routine begins.

C SOIL LEVEL

Adjusting the soil level setting will modify the cycle to allow more time for heavily soiled clothes or less time for lightly soiled clothes. Press the SOIL LEVEL button until the desired soil level is selected.

D CHIME

Press repeatedly to adjust the volume of the chime and keypad tones. You may turn the end-of-cycle chime and keypad tones ON or OFF with the CHIME button.

STEAM CYCLES AND OPTIONS

Your washing machine features several additional cycle options that customize cycles to meet your individual needs.

- 1 Turn ON the washer and turn the cycle selector knob to select the desired cycle.
- 2 Use the cycle modifier buttons to adjust the settings for that cycle.
- 3 Press the cycle option button(s) for the option(s) you would like to add. The button will light when that option is selected. For secondary functions, press and hold the button for five seconds. The LED will blink when the secondary option is selected. Both options cannot be selected together.
- 4 If the selected option is not allowed for the selected cycle, the chime will sound twice to alert you and the LED will not illuminate.
- 5 Press the START/PAUSE button to start the cycle. After a brief delay, the door will lock and the cycle will begin.

NOTE: To protect your garments, not every option is available with every cycle.

NOTE: If the START/PAUSE button is not pressed within four minutes, the control will shut off and the settings will be lost.

DELAY START



Once you have selected the cycle and other settings, press this button to delay the start of the wash cycle. Each press of the button increases the delay time by one hour, for up to 19 hours. Once the desired delay time is set, press the START/PAUSE button to start the delay time.

EXTRA RINSE



This option will add an extra rinse to the selected cycle. Use this option to help ensure the removal of detergent or bleach residue from fabrics.

ACCELA-WASH



The Accele-Wash option uses a twin spray water and detergent injection which reduces cycle time while maintaining wash performance in a normal cycle.

STAY FRESH



This feature helps keep wrinkles from setting in clothes and helps keep them fresh if they are not removed from the washer as soon as the cycle is complete. Press the STAY FRESH button to tumble the clothes intermittently and circulate fresh air through the drum for up to eight hours. Press the POWER button or the START/PAUSE button to remove clothes at any time.

PRE WASH



Select this option to add a 15-minute prewash, rinse and spin cycle to the chosen cycle. This is especially useful for heavily soiled items.

SPECIAL FUNCTIONS

CONTROL LOCK



Use this option to disable the controls. The washer can only be locked during a cycle. This feature can prevent children from changing cycles or operating the machine.

Once set, the controls remain locked and must be turned OFF before the controls can be used again. Once the washer has shut off, the power button will allow the machine to be turned ON, but the controls will still be locked. When the controls are locked, "CL" will display alternately with the estimated time remaining.

Press and hold the STAY FRESH button for five seconds to activate or deactivate the controls.

CLEAN WASHER CYCLE



Detergent residue can build up in the wash drum over time and can lead to a mildewy or musty smell. The CLEAN WASHER cycle is specially designed to remove this buildup using bleach or another cleaner designed specifically for cleaning front load washers. Run the CLEAN WASHER cycle once a month, or more often under heavy use conditions or if odor is present. See complete instructions in the CARE AND CLEANING section.

- 1 Turn ON the washer and press and hold the ACCELA-WASH button for five seconds. Selecting any other cycle after CLEAN WASHER has been selected will cause the CLEAN WASHER cycle to be cancelled.
- 2 Fill the bleach dispenser to the MAX line with liquid chlorine bleach. Do not overfill the bleach dispenser. Overfilling will cause the bleach to dispense immediately.

NOTE: For other drum cleaning products, follow the cleaner manufacturer's instructions and recommendations. For powdered cleaning products, add the cleaner to the main wash compartment of the dispenser drawer. Place tablet cleaners directly into the drum.

- 3 Press the START/PAUSE button to start the cycle.
- 4 After the cycle has ended, secure the door slightly ajar with the door magnet. This will promote air circulation and allow the interior of the machine to dry. To use this feature, close the door just until it contacts the door magnet.

NOTE: Do NOT use this cycle with clothes, and do NOT add detergent or fabric softener.

MY CYCLE



MY CYCLE allows you to store a customized wash cycle for future use. It allows you to save favorite temperature, spin speed, soil level, and other options for a cycle, and then recall them at the touch of a button.

NOTE: You can only save a setting for one cycle at a time. Pressing and holding the MY CYCLE button will overwrite any previously saved cycle.

To save a MY CYCLE:

- 1 Press the POWER button to turn on the washer.
- 2 Turn the cycle selector knob to select the desired cycle.
- 3 Press the CYCLE MODIFIER button to adjust the cycle as desired.
- 4 Press the CYCLE OPTION button to add the desired options.
- 5 Press and hold the MY CYCLE button for five seconds.

To recall a MY CYCLE:

- 1 Press the POWER button to turn on the washer.
- 2 Press the MY CYCLE button. The stored settings will be displayed.
- 3 Press the START/PAUSE button to start the cycle.

NOTE: MY CYCLE can be adjusted the same as any other cycle. However, once any other button is pressed, the LED will turn off indicating that the settings are no longer those of your saved cycle. Press and hold the MY CYCLE button for five seconds to overwrite the previous MY CYCLE settings and replace them with the current settings.

AUTO SOAK



Use the AUTO SOAK option to presoak garments to help remove difficult spots or stains on fabric. This option provides a 30 minute presoak prior to the start of the selected cycle. At the end of the presoak time, the selected cycle will use the same water.

To use the AUTO SOAK feature, press and hold the STEAM TREAT button for five seconds.

SAVE ENERGY



This option saves energy by using cooler water while increasing the wash and rinse times to maintain wash performance. This feature is only available with the NORMAL/CASUAL and HEAVY DUTY cycles as listed below.

To use the Save Energy option, press and hold the Pre Wash button for five seconds.

- NORMAL – Hot becomes Warm
- NORMAL – Warm becomes Cold
- HEAVY DUTY – Hot becomes Warm

CARE AND CLEANING



WARNING: To reduce the risk of fire, electric shock, or injury to persons, read and follow this entire Use & Care Guide, including the Important Safety Instructions, before operating this washer.

- **Unplug the washer before cleaning to avoid the risk of electric shock.** Failure to follow this warning can cause serious injury, fire, electric shock, or death.
- **Never use harsh chemicals, abrasive cleaners, or solvents to clean the washer.** They will damage the finish.

REGULAR CLEANING

Cleaning the Exterior

Proper care of your washer can extend its life. The outside of the machine can be cleaned with warm water and a mild, nonabrasive household detergent. Immediately wipe off any spills with a soft, damp cloth.

IMPORTANT: Do not use solvents, cleaning alcohols, or similar products. Never use steel wool or abrasive cleaners because they can damage the surface.

Care and Cleaning of the Interior

Use a towel or soft cloth to wipe around the washer door opening, door seal, and door glass. These areas should be kept clean to ensure a watertight seal. Be sure to wipe under the inside rubber seal to remove any moisture or soil. Always remove items from the washer as soon as the cycle is complete. Leaving damp items in the washer can cause wrinkling, color transfer, and odor. Run the CLEAN WASHER cycle once a month, or more often if needed, to remove detergent buildup and other residue.

Clean Washer

- 1 Remove any clothing in the drum.
- 2 Open the dispenser drawer.
- 3 Add liquid chlorine bleach or another drum cleaner designed specifically for cleaning front load washers.
 - **If using liquid chlorine bleach** Add liquid chlorine bleach to the bleach compartment of the drawer. (NOTE : Do not exceed the maximum fill line and do not pour undiluted liquid bleach directly into the wash drum.)
 - **If using powder cleaner** Remove the liquid detergent cup and add powder cleaner to the main wash compartment of the dispenser drawer.
 - **If using tablet cleaner** Add tablet cleaner directly to the wash drum.

NOTE:

- Do not add tablet cleaner to the dispenser drawer.
- Do not add any laundry detergent or fabric softener to the drawer when using CLEAN WASHER.

- 4 Turn ON the washer and press and hold the ACCELA-WASH button for five seconds, and the LED will blink. Selecting any other cycle after CLEAN WASHER has been selected will cause the CLEAN WASHER cycle to be cancelled.
- 5 After the cycle ends, open the door and allow the drum interior to dry completely.

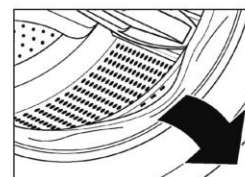
NOTE: Run the CLEAN WASHER cycle once a month. If a mildewy or musty smell is present, run the CLEAN WASHER cycle once a week for three consecutive weeks.

Door Seal and Glass Cleaning

Due to the location and nature of the door seal, some detergent and soil residue may build up on the door glass and seal. Periodic cleaning with a bleach solution can help remove buildup and stains, and can help sanitize the seal to prevent odors.

NOTE: Wear rubber gloves and eye protection while performing the following procedure:

- 1 Dilute $\frac{3}{4}$ cup (177 ml) liquid chlorine bleach in 1 gallon (3.8 L) of warm/hot water.
- 2 Use this solution to wipe down all surfaces of the gasket and door glass to remove any deposits. Be sure to fold back the lip of the gasket to get under the inner edge where residue can build up.
- 3 Dry the gasket and glass with a dry cloth.
- 4 To allow the gasket to dry completely, secure the door slightly ajar with the door magnet. This will promote air circulation and allow the interior of the machine to dry. To use this feature, close the door just until it contacts the door magnet.



NOTE:

- Follow the manufacturer's instructions for proper use of bleach.
- To avoid damaging the gasket, NEVER use undiluted bleach to clean the gasket.

Removing Mineral Buildup

If you live in an area with hard water, mineral scale can form on internal components of the washer. Use of a water softener is recommended in areas with hard water.

Use a descaler, such as Washer Magic®, to remove visible mineral buildup. After descaling, always run the CLEAN WASHER cycle before washing clothing. Do NOT use steel wool or abrasive cleaners.

CARE AND CLEANING

REGULAR CLEANING (continued)

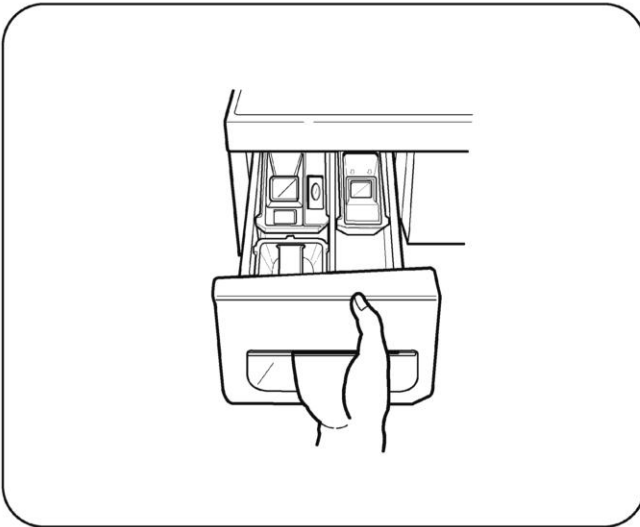
Storing the Washer

If the washer will not be used for an extended period of time and is in an area that could be exposed to freezing temperatures, perform the following steps to protect the washer from damage.

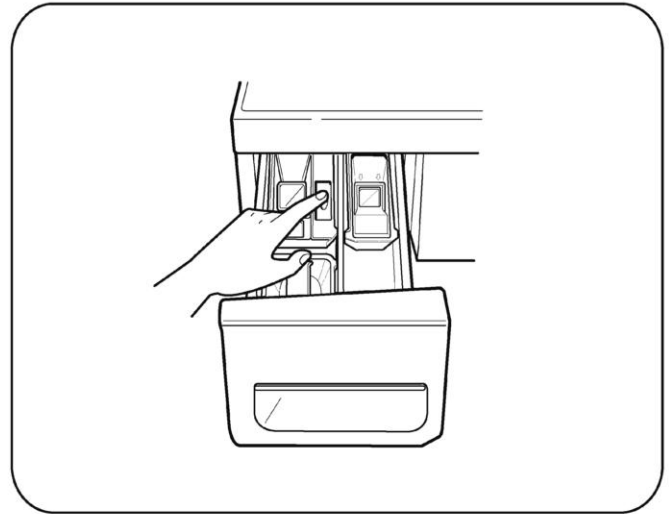
- 1 Turn OFF the water supply.
- 2 Disconnect hoses from water supply and drain water from hoses.
- 3 Plug the power cord into a properly grounded electrical outlet.
- 4 Add 1 gallon of nontoxic recreational vehicle (RV) antifreeze to the empty wash drum and close the door.
- 5 Press the POWER button, then press the SPIN SPEED button without selecting a cycle. Press the START/PAUSE button to activate the drain pump. This will expel some of the antifreeze, leaving enough to protect the washer from damage.
- 6 Unplug the power cord, dry the drum interior with a soft cloth, and close the door.
- 7 Refer to the instructions below to clean and dry the dispenser drawer.
- 8 Store the washer in an upright position.
- 9 To remove the antifreeze from the washer after storage, run the EXPRESS WASH cycle. Do not add laundry to this cycle.

Cleaning the Dispenser

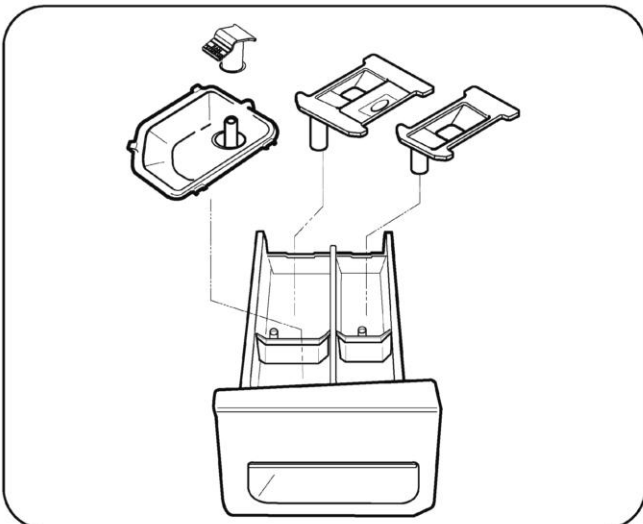
The dispenser should be cleaned periodically to remove buildup of detergent and other laundry products that can cause the dispenser not to dispense the laundry product properly.



- 1 Pull the dispenser drawer out until it stops.



- 2 Press down the lock tab located between the bleach and softener compartments and slide the drawer out.



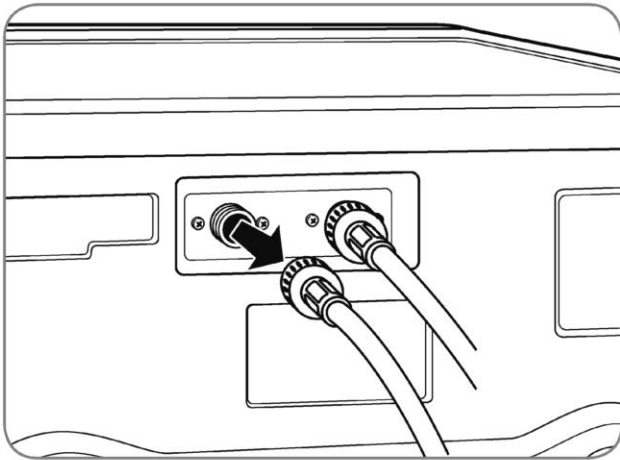
- 3 Remove the liquid detergent box, softener and bleach inserts from their compartments.
- 4 Clean the dispenser compartments and inserts with warm soapy water.

MAINTENANCE

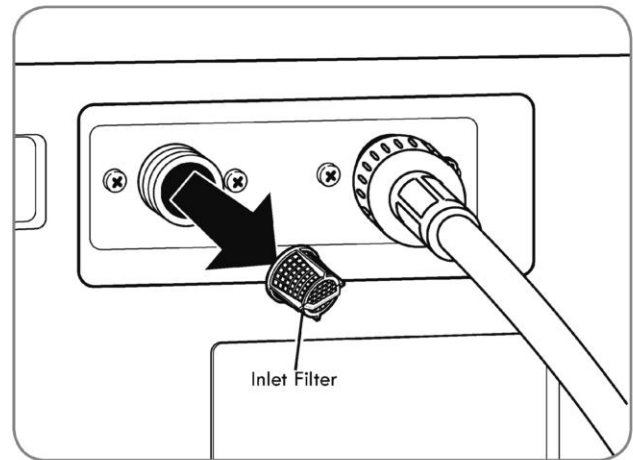
Cleaning the Water Inlet Filters

If the washer does not fill properly, an error message will show on the display. The inlet valve filter screens could be plugged by hard water scale, sediment in the water supply, or other debris.

NOTE: The inlet screens protect the delicate parts of the inlet valve from being damaged by particles that could enter the valves with the water supply. Operating the washer with these filters removed could cause a valve to fail to open, resulting in flooding and/or property damage.



- 1 Turn OFF both water faucets completely. Unscrew the hot and cold water lines from the back of the washer.

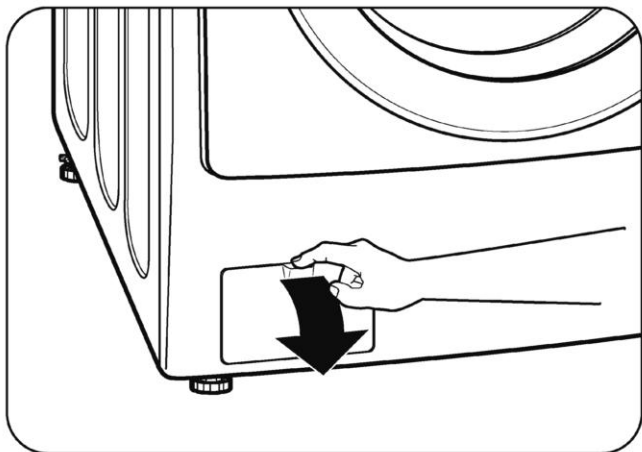


- 2 Carefully remove the filters from the water valves and soak them in white vinegar or a lime scale remover, following the manufacturer's instructions. Be careful not to damage the filters while cleaning.
- 3 Rinse thoroughly before reinstalling. Press the filters back into place.
- 4 Before reattaching the hoses, flush the hoses and water lines by running several gallons of water through the hoses and into a bucket or drain.

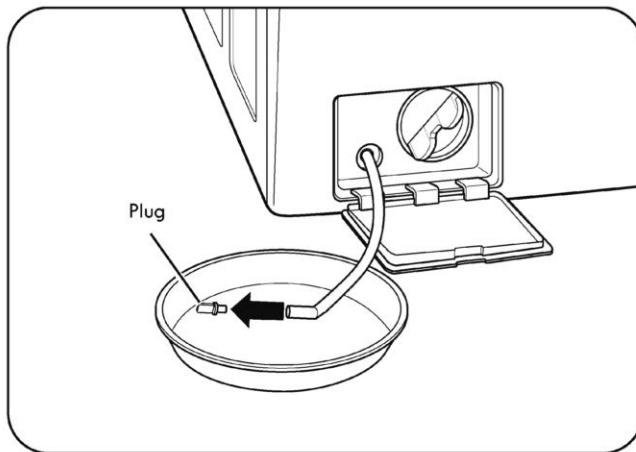
MAINTENANCE (continued)

Cleaning the Drain Pump Filter

Your Washer is equipped with a filter that helps prevent excess lint and foreign objects like buttons, keys, and coins from causing damage to the pump. If the washer fails to drain properly, unplug the washer and allow the water to cool, if necessary, before proceeding.

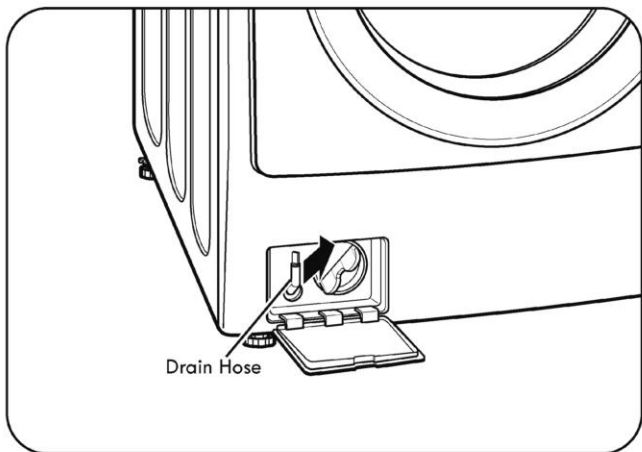


1 Open the drain pump filter access panel.

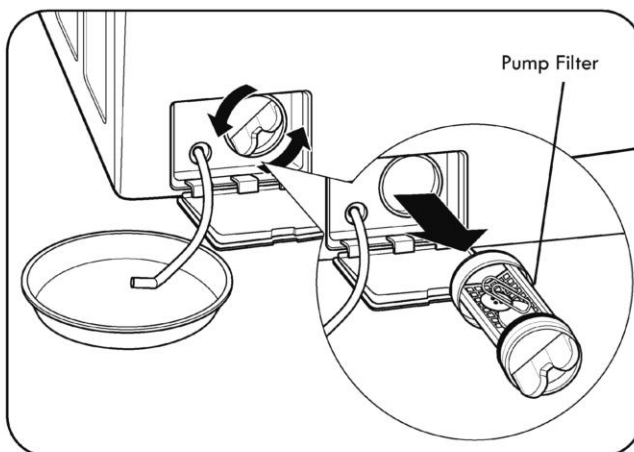


3 Remove the plug from the drain hose, and allow the water to drain completely.

NOTE: If there is a large amount of water in the drum, you may have to empty your container several times.



2 Unclip the drain hose and pull it out. Place the end of the drain hose into a shallow pan or a floor drain. Make sure not to pull the hose out too far, or it may not drain properly.



4 Twist the pump filter counterclockwise to remove. Remove any lint and foreign objects from the pump filter. Insert pump filter back into opening and twist clockwise to secure. Be sure to close the drain pump filter access panel.

TROUBLESHOOTING GUIDE

NORMAL SOUNDS YOU MAY HEAR

The following sounds may be heard while the washer is operating. They are normal.

Clicking:

Door locking mechanism clicks when the door locks and unlocks.

Spraying or hissing:

Water spraying or circulating during the cycle.

Humming or gurgling:


Drain pump is pumping water from the washer at times during a cycle.

Splashing:

Clothes tumbling in the drum during the wash and rinse cycles.

BEFORE CALLING FOR SERVICE

If your washer does not function properly or does not function at all, check the following before you call for service.

Problem	Possible Cause	Solutions
Rattling and clanking noise	Foreign objects, such as keys, coins, or safety pins, may be in drum or pump.	Stop washer, check drum and drain filter for foreign objects. If noise continues after washer is restarted, call for service.
Thumping sound	Heavy wash loads may produce a thumping sound. Washer load may be out of balance. Washing shoes or tightly tangled clothes.	This is normal. If sound continues, washer is probably out of balance. Stop and redistribute wash load. Pause the cycle and redistribute the load after the door unlocks.
Vibrating noise	Shipping bolts and/or packaging materials were not removed. Wash load may be unevenly distributed in the drum. Not all leveling feet are resting firmly and evenly on the floor. Floor not rigid enough.	See the UNPACKING AND REMOVING SHIPPING BOLTS section in the installation requirements. Pause the cycle and redistribute the load after the door unlocks. See Leveling the Washer in the Installation Instructions. Make sure that the floor is solid and does not flex. See Flooring in the Installation Requirements.
Water leaking around washer	Inlet hose connection is loose at tap or washer. House drain pipes are clogged. Drain hose has come out of drain. Drain hose is not inserted far enough. Door glass is dirty.	Check hoses. Check and tighten hose connections. Unclog drain pipe. Contact a plumber if necessary. Tie drain hose to inlet hose or standpipe to prevent it from coming out during drain. It should be inserted about 8-12 inches (20.3-30.5 cm) into the standpipe. Inspect door glass periodically to make sure there is no buildup of residue or other foreign matter. Follow cleaning instructions.
Excessive sudsing	Too much detergent or incorrect detergent.	 Only use detergent with the High-Efficiency (HE) logo. See Detergent Use in the How to Use section.



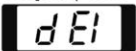


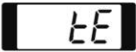

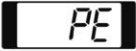
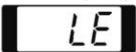
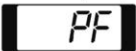
TROUBLESHOOTING GUIDE

BEFORE CALLING FOR SERVICE (continued)

Problem	Possible Cause	Solutions
Staining	<p>Bleach or softener dispensed too soon.</p> <p>Bleach or softener was added directly to the wash load in the drum.</p> <p>Washer was not unloaded promptly.</p> <p>Clothes were not properly sorted.</p>	<p>Dispenser compartment is overfilled causing bleach or softener to dispense immediately.</p> <p>Dispenser drawer closed too quickly causing bleach or softener to dispense immediately.</p> <p>Laundry chemicals must be loaded into the dispenser.</p> <p>Always remove items from the washer as soon as possible after the cycle is complete.</p> <p>Always wash dark colors separately from light colors and whites to prevent discoloration.</p> <p>Never wash heavily soiled items with lightly soiled items.</p>
Washer will not turn ON	<p>Power cord is not properly plugged in.</p> <p>House fuse is blown, circuit breaker has tripped, or power outage has occurred.</p> <p>House fuse is blown, circuit breaker has tripped, due to multiple appliances on one outlet.</p>	<p>Make sure that the plug is plugged securely into a grounded, 3-prong, 120-VAC, 60-Hz outlet.</p> <p>Reset circuit breaker or replace fuse. Do not increase fuse capacity. If the problem is a circuit overload, have it corrected by a qualified electrician.</p> <p>Reset circuit breaker or replace fuse. If more than one appliance is connected to the outlet, call an electrician to have an additional circuit installed.</p>
Door will not unlock when cycle is stopped or paused	<p>Interior temperature of washer is too high.</p> <p>Water level in washer is too high.</p>	<p>The washer door has a safety feature to prevent personal injury. For example, if the washer is paused during the hot wash stage of a sanitize cycle, the interior temperature of the drum will be very hot, so the door will not unlock. This is normal. Allow the washer to cool until the DOOR LOCK indicator turns OFF on the display.</p> <p>To drain the water, press POWER, then press the SPIN SPEED button without selecting a cycle.</p>
Wash cycle time is longer than usual	<p>The washer automatically adjusts the wash time for the amount of laundry, water pressure, water heating time and other operating conditions.</p>	<p>This is normal. The washer adjusts cycle time automatically to provide optimal results for the selected cycle. The time remaining shown in the display is only an estimate. Actual time may vary.</p>
Musty or mildewy odor in washer	<p>Incorrect or too much detergent has been used.</p> <p>Inside of drum was not cleaned properly.</p>	<p>Use only High-Efficiency (HE) detergent in accordance with the manufacturer's instructions.</p> <p>Run the CLEAN WASHER cycle regularly. Be sure to wipe around and under the door seal frequently. See Care and Cleaning of the Interior.</p> <p>Clean around door seal/glass to prevent odor.</p>
Wrinkling	<p>Washer not unloaded promptly.</p> <p>Washer overloaded.</p> <p>Hot and cold water inlet hoses are reversed.</p>	<p>Always remove items from the washer as soon as the cycle is complete.</p> <p>When washing large loads, do not overstuff the drum. The washer can be fully loaded, but the drum should not be tightly packed and the door should close easily.</p> <p>Hot water rinse can set wrinkles in garments. Check the inlet hose connections.</p>

BEFORE CALLING FOR SERVICE (continued)

Your washing machine is equipped with an automatic error-monitoring system to detect and diagnose problems at an early stage.

Problem	Possible Cause	Solutions
Water in the washer drains slowly or not at all, or the display shows: 	Drain hose is kinked, pinched, or clogged. The drain pump filter is clogged. Drain discharge is more than 96 inches (244 cm) above bottom of washer.	Make sure the drain hose is free of clogs, kinks, etc., and is not pinched behind or under the washer. Clean the drain pump filter. See Maintenance in the Care and Cleaning section. Adjust or repair drain. Maximum drain height is 96 inches (244 cm).
Washer fills with water slowly or not at all, or the display shows: 	Water supply faucets are not open fully. Water line hoses are kinked, pinched, or crushed. Water inlet filters are clogged. Water supply pressure to faucet or house is too low. Water supply connected with leak-limiting hoses.	Make sure that the water faucets are fully open. Make sure the hoses are not kinked or pinched. Be careful when moving the washer during cleaning and maintenance Clean the inlet filters. See Maintenance in the Care and Cleaning section. Check another faucet in the house to make sure that household water pressure is adequate and flow is not restricted. Hoses designed to limit leaks can trip falsely and prevent the washer from filling. The use of leak limiting hoses is not recommended.
Cycle won't start, or the display shows:  or 	The door is not closed properly.	Make sure that the door is closed properly and press the START/PAUSE button. After starting a cycle, it may take a few moments before the drum begins to turn or spin. The washer will not operate unless the door is locked. If the door is closed and locked and the open door error message is displayed, call for service.
The display shows: 	Load is too small. Load is out of balance.	Add 1 or 2 similar items to help balance the load. The washer has an imbalance detection and correction system. If individual heavy articles are loaded (bath mat, bath robe, etc.) and the imbalance is too great, the washer will make several attempts to restart the spin cycle. If an imbalance is still detected, the washer will stop and the error code will display.
The display shows: 	Control error.	Unplug the washer and wait 60 seconds. Reconnect power and try again. If the error reappears, call for service.
The display shows: 	Water level is too high due to a faulty water valve.	Close the water faucets, unplug the washer, and call for service.
The display shows: 	The water level sensor is not working correctly.	Close the water faucets, unplug the washer, and call for service.
The display shows: 	A motor error has occurred.	Allow the washer to stand for 30 minutes and then restart the cycle. If the LE error code persists, call for service.
The display shows: 	A power failure has occurred.	If the power to the washer has been interrupted during a cycle, the PF error code will display the next time the washer is turned ON. This will alert you to the fact that the previous cycle may not have been completed. Select any cycle to clear the error code and use the washer.

KENMORE ELITE APPLIANCE WARRANTY

One Year Limited Warranty

When installed, operated and maintained according to all instructions supplied with the product, if this appliance fails due to a defect in material or workmanship within one year from the date of purchase, call 1-800-4-MY-HOME® to arrange for free repair.

If this appliance is used for other than private family purposes, this warranty is void.

This warranty covers only defects in material and workmanship. Sears will NOT pay for:

1. Expendable items that can wear out from normal use, including but not limited to filters, belts, light bulbs and bags.
2. A service technician to instruct the user in correct product installation, operation or maintenance.
3. A service technician to clean or maintain this product.
4. Damage to or failure of this product if it is not installed, operated or maintained according to all instructions supplied with the product.
5. Damage to or failure of this product resulting from accident, abuse, misuse or use for other than its intended purpose.
6. Damage to or failure of this product caused by the use of detergents, cleaners, chemicals or utensils other than those recommended in all instructions supplied with the product.
7. Damage to or failure of parts or systems resulting from unauthorized modifications made to this product.

Disclaimer of implied warranties; limitation of remedies

Customer's sole and exclusive remedy under this limited warranty shall be product repair as provided herein. Implied warranties, including warranties of merchantability or fitness for a particular purpose, are limited to one year or the shortest period allowed by law. Sears shall not be liable for incidental or consequential damages. Some states and provinces do not allow the exclusion or limitation of incidental or consequential damages, or limitations on the duration of implied warranties of merchantability or fitness, so these exclusions or limitations may not apply to you.

This warranty applies only while this appliance is used in Canada*.

This warranty gives you specific legal rights, and you may also have other rights which vary from province to province.

Sears Canada Inc., Toronto, Ontario, Canada M5B 2C3

*In Canada, in-home repair service is not available in all areas, nor will this warranty cover user or servicer travel and transportation expenses if this product is located in a remote area (as defined by Sears Canada Inc.) where an authorized servicer is not available. Also, Sears Canada will not service an appliance if the model and serial plate is missing, altered or cannot easily be determined to have the Canadian certification logo.



Sears Parts and Repair Services

WE'RE THERE FOR YOU LONG AFTER THE SALE

To purchase replacement parts and product accessories, call **1-800-4-MY-HOME®** (1.800.469.4663), visit Sears.ca/parts, or visit your nearest Sears Parts and Repair store. Delivery to your home is available.

*Select product assortment sold online; for full product availability please call the number provided.

We recommend the following accessories to help extend the life of your product while saving you time and money.

MAJOR APPLIANCES:													
<table border="1"> <thead> <tr> <th>REFRIGERATORS</th> </tr> </thead> <tbody> <tr> <td><input type="checkbox"/> Water & Air Filters</td> </tr> <tr> <td><input type="checkbox"/> Ice Maker Stainless Steel Water Line</td> </tr> <tr> <td><input type="checkbox"/> Thermometers</td> </tr> <tr> <td><input type="checkbox"/> Environmentally Friendly Appliance Cleaners</td> </tr> </tbody> </table>	REFRIGERATORS	<input type="checkbox"/> Water & Air Filters	<input type="checkbox"/> Ice Maker Stainless Steel Water Line	<input type="checkbox"/> Thermometers	<input type="checkbox"/> Environmentally Friendly Appliance Cleaners	<table border="1"> <thead> <tr> <th>STOVES</th> </tr> </thead> <tbody> <tr> <td><input type="checkbox"/> Range Hood Filters</td> </tr> <tr> <td><input type="checkbox"/> Elements</td> </tr> <tr> <td><input type="checkbox"/> Bulbs</td> </tr> <tr> <td><input type="checkbox"/> Smooth Top Cleaning Kits</td> </tr> </tbody> </table>	STOVES	<input type="checkbox"/> Range Hood Filters	<input type="checkbox"/> Elements	<input type="checkbox"/> Bulbs	<input type="checkbox"/> Smooth Top Cleaning Kits		
REFRIGERATORS													
<input type="checkbox"/> Water & Air Filters													
<input type="checkbox"/> Ice Maker Stainless Steel Water Line													
<input type="checkbox"/> Thermometers													
<input type="checkbox"/> Environmentally Friendly Appliance Cleaners													
STOVES													
<input type="checkbox"/> Range Hood Filters													
<input type="checkbox"/> Elements													
<input type="checkbox"/> Bulbs													
<input type="checkbox"/> Smooth Top Cleaning Kits													
<table border="1"> <thead> <tr> <th>DISHWASHERS</th> </tr> </thead> <tbody> <tr> <td><input type="checkbox"/> Stainless Steel Hoses</td> </tr> <tr> <td><input type="checkbox"/> Clamps & Dishwasher Fittings</td> </tr> <tr> <td><input type="checkbox"/> Dishwasher Installation Kits</td> </tr> </tbody> </table>	DISHWASHERS	<input type="checkbox"/> Stainless Steel Hoses	<input type="checkbox"/> Clamps & Dishwasher Fittings	<input type="checkbox"/> Dishwasher Installation Kits	<table border="1"> <thead> <tr> <th>LAUNDRY</th> </tr> </thead> <tbody> <tr> <td><input type="checkbox"/> Rubber & Stainless Steel Hoses</td> </tr> <tr> <td><input type="checkbox"/> Ducts, Clamps, Vent Kits & Dryer Vent Cleaning Brushes</td> </tr> <tr> <td><input type="checkbox"/> Filters & Heating Elements</td> </tr> </tbody> </table>	LAUNDRY	<input type="checkbox"/> Rubber & Stainless Steel Hoses	<input type="checkbox"/> Ducts, Clamps, Vent Kits & Dryer Vent Cleaning Brushes	<input type="checkbox"/> Filters & Heating Elements				
DISHWASHERS													
<input type="checkbox"/> Stainless Steel Hoses													
<input type="checkbox"/> Clamps & Dishwasher Fittings													
<input type="checkbox"/> Dishwasher Installation Kits													
LAUNDRY													
<input type="checkbox"/> Rubber & Stainless Steel Hoses													
<input type="checkbox"/> Ducts, Clamps, Vent Kits & Dryer Vent Cleaning Brushes													
<input type="checkbox"/> Filters & Heating Elements													
<table border="1"> <thead> <tr> <th>VACUUMS:</th> </tr> </thead> <tbody> <tr> <td><input type="checkbox"/> Bags</td> </tr> <tr> <td><input type="checkbox"/> Belts</td> </tr> <tr> <td><input type="checkbox"/> Hoses</td> </tr> <tr> <td><input type="checkbox"/> Wands, Brushes & Nozzles</td> </tr> <tr> <td><input type="checkbox"/> Filters</td> </tr> </tbody> </table>	VACUUMS:	<input type="checkbox"/> Bags	<input type="checkbox"/> Belts	<input type="checkbox"/> Hoses	<input type="checkbox"/> Wands, Brushes & Nozzles	<input type="checkbox"/> Filters	<table border="1"> <thead> <tr> <th>LAWN & GARDEN:</th> </tr> </thead> <tbody> <tr> <td><input type="checkbox"/> Tune-up Kits, Oil & Fuel Stabilizers</td> </tr> <tr> <td><input type="checkbox"/> Filters</td> </tr> <tr> <td><input type="checkbox"/> Blades</td> </tr> <tr> <td><input type="checkbox"/> Belts</td> </tr> <tr> <td><input type="checkbox"/> Spark Plugs, Shear Bolts & Shear Pins</td> </tr> </tbody> </table>	LAWN & GARDEN:	<input type="checkbox"/> Tune-up Kits, Oil & Fuel Stabilizers	<input type="checkbox"/> Filters	<input type="checkbox"/> Blades	<input type="checkbox"/> Belts	<input type="checkbox"/> Spark Plugs, Shear Bolts & Shear Pins
VACUUMS:													
<input type="checkbox"/> Bags													
<input type="checkbox"/> Belts													
<input type="checkbox"/> Hoses													
<input type="checkbox"/> Wands, Brushes & Nozzles													
<input type="checkbox"/> Filters													
LAWN & GARDEN:													
<input type="checkbox"/> Tune-up Kits, Oil & Fuel Stabilizers													
<input type="checkbox"/> Filters													
<input type="checkbox"/> Blades													
<input type="checkbox"/> Belts													
<input type="checkbox"/> Spark Plugs, Shear Bolts & Shear Pins													
<table border="1"> <thead> <tr> <th colspan="2">HEATING & COOLING:</th> </tr> </thead> <tbody> <tr> <td><input type="checkbox"/> Furnace & Air Conditioning Filters</td> <td><input type="checkbox"/> Humidifier Media Pads</td> </tr> <tr> <td><input type="checkbox"/> Thermostats</td> <td><input type="checkbox"/> Durasept Humidifier Cleaner</td> </tr> </tbody> </table>		HEATING & COOLING:		<input type="checkbox"/> Furnace & Air Conditioning Filters	<input type="checkbox"/> Humidifier Media Pads	<input type="checkbox"/> Thermostats	<input type="checkbox"/> Durasept Humidifier Cleaner						
HEATING & COOLING:													
<input type="checkbox"/> Furnace & Air Conditioning Filters	<input type="checkbox"/> Humidifier Media Pads												
<input type="checkbox"/> Thermostats	<input type="checkbox"/> Durasept Humidifier Cleaner												

And a whole lot more! We have access to over 1 million parts and accessories!

In-home or in-shop service is available for all major brands.

Call 1-800-4-MY-HOME®
Sears.ca/parts

SOMMAIRE

CONSIGNES IMPORTANTES DE SÉCURITÉ	33-35
EXIGENCES RELATIVES À LA MISE À LA TERRE.....	35
CARACTÉRISTIQUES ET AVANTAGES	
Pièces et composants principaux	36
Accessoires inclus.....	36
Accessoires facultatifs.....	36
DIRECTIVES D'INSTALLATION	
Dimensions et caractéristiques techniques.....	37
Choix de l'emplacement adéquat.....	37
Revêtement de sol.....	37
Dégagements	37
CONSIGNES D'INSTALLATION	
Retrait des boulons de transport	38
Branchement des tuyaux	39
Branchement du tuyau de vidange.....	40
Branchement du cordon d'alimentation	40
Nivellement de la laveuse.....	41
Installation de patins antidérapants (facultatif)	41
MODE D'EMPLOI	
Caractéristiques du panneau de commande.....	42
Utilisation de la laveuse.....	43
Guide des cycles	44-45
Triage des brassées	46
À propos du tiroir distributeur	47
Détergent et usage du distributeur	48
Affichage du temps et de l'état	49
Boutons de réglage de cycle	50
Cycles vapeur et options	51
Fonctions spéciales	52
ENTRETIEN ET NETTOYAGE	
Nettoyage de routine.....	53-54
Entretien	55-56
Nettoyage des filtres d'entrée d'eau	55
Nettoyage du filtre de la pompe de vidange	56
GUIDE DE DÉPANNAGE	
Bruits normaux que vous risquez d'entendre	58
Avant d'appeler le service de dépannage.....	58-60
GARANTIE	61

ENREGISTREMENT DU PRODUIT

Veillez noter la date d'achat, le modèle et le numéro de série de votre produit dans le champ ci-dessous. Vous trouverez ces informations sur une plaque d'identification située à l'intérieur de la porte de la laveuse. Ayez ces informations à disposition lorsque vous contactez Sears par rapport à votre produit.

N° de modèle _____

Date d'achat _____

N° de série _____

Gardez ces consignes et votre preuve d'achat pour référence ultérieure.

CONTRAT DE PROTECTION

Contrats de protection principaux

Félicitations pour votre achat judicieux. Votre nouvel appareil KenmoreMD est conçu et fabriqué dans le but de vous offrir plusieurs années d'utilisation sans tracas. Cependant, comme tous les appareils, il peut nécessiter un entretien préventif ou des réparations occasionnelles. Dans de tels cas, un contrat de protection principal peut vous permettre d'économiser de l'argent et vous éviter des problèmes. Le contrat de protection principal aide aussi à prolonger la durée de vie de votre nouvel appareil. Voici ce que couvre le contrat* :

- Les pièces et la main-d'oeuvre requises pour le fonctionnement adéquat de l'appareil dans des conditions d'utilisation normales, pas seulement pour les défauts. Notre couverture vous offre beaucoup plus que la simple garantie du produit. Aucune franchise, aucune exclusion de défaillance fonctionnelle – une véritable protection.
- Un service professionnel offert par une équipe de plus de 2 500 techniciens de service Sears autorisés, ce qui signifie que votre appareil sera confié à une personne de confiance
- Des appels de service illimités et un service à la grandeur du pays, à tout moment, aussi souvent que vous le désirez.
- La garantie « anti-citron », vous assurant le remplacement de l'appareil couvert si quatre défaillances ou plus surviennent à l'intérieur de douze mois.
- Le remplacement de l'appareil couvert s'il ne peut être réparé.
- Un service d'aide téléphonique rapide, appelé « Résolution rapide », qui vous permet de bénéficier du soutien téléphonique d'un représentant Sears pour tous les produits. Nous sommes votre « guide d'utilisation parlant ».
- Une protection contre les surtensions pour les dommages électriques causés par des fluctuations de courant.
- Une couverture annuelle de 250 \$ pour la perte d'aliments à la suite de toute détérioration d'aliments résultant d'une défaillance mécanique d'un réfrigérateur ou d'un congélateur couvert.
- 10% rabais du prix régulier de n'importe quel non-couvert a installé des pièces.

Une fois le contrat acheté, un simple appel téléphonique suffit pour obtenir un service de réparation. Vous pouvez téléphoner à toute heure du jour ou de la nuit, ou prendre rendez-vous en ligne pour une réparation.

Le contrat de protection principal est un achat sans risque. Si, pour quelque raison que ce soit, vous annulez le contrat durant la période de garantie du produit, vous serez remboursé en totalité. En cas d'annulation après la période de garantie du produit, vous recevrez un remboursement calculé au prorata. Procurez-vous votre contrat de protection principal dès aujourd'hui!

* Au Canada, la couverture de certains articles peut varier. Pour connaître tous les détails, communiquez avec Sears Canada au 1 800 361-6665.

Service d'installation Sears

Pour bénéficier du service d'installation professionnel de Sears pour électroménagers, ouvre-portes de garage, chauffe-eau et autres appareils domestiques importants, aux Canada, composez le 1 800 4-MY-HOME.

MESSAGES DE SÉCURITÉ

De nombreux messages importants de sécurité se trouvent dans ce manuel et sur votre appareil. Lisez et respectez toujours l'ensemble des messages de sécurité.



Ceci est le symbole d'alerte de sécurité. Ce symbole vous avertit d'un danger potentiel pouvant entraîner des dommages matériels ou des blessures graves, voire la mort.

Tous les messages de sécurité seront précédés de ce symbole d'alerte de sécurité et du mot DANGER ou ATTENTION.

Ces mots signifient :

 **DANGER**

Indique une situation dangereuse qui, si elle n'est pas évitée, entraînera la mort ou des blessures graves.

 **ATTENTION**

Indique une situation dangereuse qui, si elle n'est pas évitée, risque d'entraîner la mort ou des blessures graves.

Tous les messages de sécurité vous expliqueront quel est le danger potentiel, comment réduire les risques de blessure et ce qui se produira si les consignes ne sont pas respectées.

CONSIGNES IMPORTANTES DE SÉCURITÉ

ATTENTION

Pour réduire le risque d'incendie, de décharge électrique ou de blessure lors de l'utilisation de cet appareil, suivez les précautions de bases, notamment les suivantes :

- Avant utilisation, la laveuse doit être correctement installée comme décrit dans ce manuel.
- Ne lavez pas d'articles ayant déjà été nettoyés, lavés ou trempés dans de l'essence, des produits de nettoyage à sec ou toute autre substance inflammable ou explosive, ou encore tachés par de telles substances dont les vapeurs pourraient s'enflammer ou exploser.
- N'ajoutez pas d'essence, de produits de nettoyage à sec ou toute autre substance inflammable ou explosive à l'eau de la lessive. Ces substances libèrent des vapeurs qui peuvent s'enflammer ou exploser.
- Dans certaines conditions, de l'hydrogène gazeux peut être produit dans un système d'eau chaude n'ayant pas été utilisé pendant plus de deux semaines. L'HYDROGÈNE EST UN GAZ EXPLOSIF. Si le système d'eau chaude n'a pas été utilisé pendant plus de deux semaines OUVREZ tous les robinets d'eau chaude avant d'utiliser la laveuse et laissez l'eau couler pendant plusieurs minutes. Cela libèrera l'hydrogène gazeux accumulé. Comme ce gaz est inflammable, ne fumez pas et n'utilisez pas de flamme nue pendant cette période.
- Ne laissez pas les enfants jouer sur la laveuse ou à l'intérieur de celle-ci. Surveillez attentivement vos enfants lorsqu'ils se trouvent à proximité d'une laveuse en marche.
- Avant que la laveuse ne soit déplacée pour entretien ou jetée, retirez la porte pour empêcher les enfants de grimper dedans.
- N'installez pas et n'entreposez pas la laveuse dans un endroit où elle pourrait être exposée à des intempéries ou à des températures sous le point de congélation.
- Ne modifiez pas les commandes.
- Ne réparez pas la laveuse, n'en remplacez pas de pièces et n'essayez pas d'effectuer des dépannages autres que ceux indiqués dans ce manuel. Nous recommandons fortement que tout entretien soit réalisé par un technicien qualifié.
- Lisez les consignes d'installation pour les spécifications d'isolation.
- RESPECTEZ TOUJOURS les consignes de lavage des vêtements fournies par leurs fabricants.
- Ne placez pas d'articles exposés à de l'huile de cuisson dans votre laveuse. Les articles souillés d'huile de cuisson peuvent contribuer à une réaction chimique pouvant enflammer la brassée.
- N'utilisez les assouplissants ou produits antistatiques que selon les recommandations du fabricant.
- Cette laveuse n'est pas conçue pour un usage en mer ou pour des installations mobiles telles que les VR, les avions, etc.
- FERMEZ les robinets d'eau et débranchez la laveuse si vous prévoyez ne pas l'utiliser pendant une période prolongée, comme pendant des vacances.
- Le matériel d'emballage peut être dangereux pour les enfants. **Il présente un risque d'étouffement.** Maintenez les emballages hors de portée des enfants.
- Vérifiez toujours qu'aucun corps étranger ne se trouve dans la laveuse avant de la remplir. Maintenez la porte fermée en dehors des utilisations.

CONSIGNES IMPORTANTES DE SÉCURITÉ

⚠ ATTENTION

- **Pour réduire le risque d'incendie, de décharge électrique ou de blessure lors de l'utilisation de cet appareil, suivez les précautions de bases, notamment les suivantes :**
- **Débranchez la laveuse avant de la nettoyer** pour éviter tout risque de décharge électrique.
- **N'utilisez jamais de produits chimiques agressifs, de nettoyants abrasifs ou de solvants pour nettoyer la laveuse.** Ils endommageront les surfaces de finition.
- **Ne placez pas de chiffons ou de vêtements huileux ou graisseux sur la laveuse.** Ces substances libèrent des vapeurs qui peuvent enflammer les matériaux.
- **Ne lavez pas d'articles souillés par de l'huile végétale ou de cuisson.** Ces éléments peuvent contenir de l'huile et prendre feu.
- **Débranchez cet appareil avant tout entretien. Le fait de positionner l'interrupteur à Off (Arrêt) ne met pas cet appareil hors tension. Le non-respect de cet avertissement peut causer des blessures, un incendie, une décharge électrique ou provoquer le décès.**
- **Ne mélangez pas de détergent, d'assouplissant ou d'autres produits de lessive de différents fabricants dans une même brassée, sauf si indiqué sur l'étiquette du tissu.**
- **Ne mélangez pas d'eau de Javel avec des produits ammoniacés ou acides comme le vinaigre. Suivez les instructions de l'emballage lorsque vous utilisez des produits de lessive.** Une mauvaise utilisation peut produire des gaz nocifs qui pourraient entraîner des blessures graves ou la mort.
- **Ne mettez pas la main dans la laveuse lorsqu'elle est en marche. Avant le chargement, le déchargement ou l'ajout d'articles, appuyez sur la mollette de sélection de cycle et attendez que le tambour soit complètement arrêté avant d'y plonger la main.** Le non-respect de cet avertissement peut causer des blessures, un incendie, une décharge électrique ou provoquer le décès.

⚠ ATTENTION

- **Référez-vous aux CONSIGNES D'INSTALLATION pour obtenir les exigences relatives à la mise à la terre.** Les consignes d'installations sont incluses avec la laveuse et s'adressent notamment à l'installateur. Si vous déménagez la laveuse, faites-la vérifier et réinstaller par un technicien en entretien qualifié. Le non-respect de cet avertissement peut causer des blessures, un incendie, une décharge électrique ou provoquer le décès.
- **Ne coupez ou n'enlevez en aucune circonstance la broche de mise à la terre (troisième broche) de la fiche du cordon d'alimentation.** Le non-respect de cet avertissement peut causer des blessures, un incendie, une décharge électrique ou provoquer le décès.
- **Pour votre sécurité, cette laveuse doit être correctement mise à la terre.** Le non-respect de cet avertissement peut causer des blessures, un incendie, une décharge électrique ou provoquer le décès.
- **Le cordon d'alimentation de cette laveuse est muni d'une fiche à trois broches (mise à la terre) correspondant à une prise murale à trois broches (mise à la terre) afin de minimiser le risque de décharge électrique provenant de cet appareil.**
- **Cette laveuse doit être branchée dans une prise avec mise à la terre de 120 VCA à 60 Hz.** Le non-respect de cet avertissement peut causer des blessures, un incendie, une décharge électrique ou provoquer le décès.
- **Faites vérifier la prise murale et le circuit électrique par un électricien qualifié afin de vous assurer que la prise est correctement mise à la terre.** Le non-respect de cet avertissement peut causer des blessures, un incendie, une décharge électrique ou provoquer le décès.
- **Si vous avez une prise murale standard à deux trous (biphasée), vous avez la responsabilité et l'obligation de la faire remplacer par une prise murale à trois trous (triphasee) adéquatement mise à la terre.** Le non-respect de cet avertissement peut causer des blessures, un incendie, une décharge électrique ou provoquer le décès.
- **N'installez pas cet appareil sur du tapis. Installez-le sur un sol dur.** Le non-respect de cet avertissement peut entraîner des fuites graves.
- **Ne supprimez pas la broche de mise à la terre (troisième broche). N'utilisez pas d'adaptateur ou de rallonge. Branchez cette laveuse dans une prise murale à trois trous (triphasee) mise à la terre.** Le non-respect de cet avertissement peut causer des blessures, un incendie, une décharge électrique ou provoquer le décès.
- **La laveuse doit toujours être branchée dans sa propre prise électrique individuelle ayant une tension nominale correspondant à la plaque signalétique.** Cette mesure optimise le rendement et évite une surcharge des circuits de câblage du domicile, qui pourrait présenter un risque d'incendie lié à la surchauffe des fils.
- **Ne débranchez jamais votre laveuse en tirant sur le cordon d'alimentation.** Prenez toujours la fiche fermement et tirez vers l'extérieur de la prise. Le non-respect de cet avertissement peut causer des blessures, un incendie, une décharge électrique ou provoquer le décès.
- **Réparez et remplacez immédiatement tout cordon d'alimentation effiloché ou endommagé autrement. N'utilisez pas un cordon présentant des fissures ou des dommages par abrasion sur sa longueur ou son extrémité.** Faites appel à un technicien en entretien qualifié. Le non-respect de cet avertissement peut causer des blessures, un incendie, une décharge électrique ou provoquer le décès.
- **Lorsque vous installez ou déplacez la laveuse, faites attention de ne pas pincer, écraser ou endommager le cordon d'alimentation.** Le non-respect de cet avertissement peut causer des blessures, un incendie, une décharge électrique ou provoquer le décès.
- **La laveuse doit être correctement installée et mise à la terre par un technicien en entretien qualifié conformément à l'ensemble des codes locaux pour éviter tout risque de décharge électrique et en garantir la stabilité de fonctionnement.**
- **La laveuse est lourde. Deux personnes ou plus peuvent s'avérer nécessaires pour installer et déplacer l'appareil.** Le non-respect de ces consignes peut entraîner des dommages matériels ou des blessures graves.
- **Installez et entreposez la sècheuse dans un endroit où elle ne sera pas exposée à des températures sous le point de congélation ou aux intempéries.** Le non-respect de cet avertissement peut causer des blessures, un incendie, une décharge électrique ou provoquer le décès.
- **Pour réduire le risque de décharge électrique, n'installez jamais la sècheuse dans un espace humide.** Le non-respect de cet avertissement peut causer des blessures, un incendie, une décharge électrique ou provoquer le décès.

⚠ ATTENTION : RISQUE POUR LES ENFANTS

- Ne laissez pas les enfants jouer sur la laveuse ou à l'intérieur de celle-ci. Il est nécessaire de surveiller étroitement les enfants lorsque la laveuse fonctionne à proximité d'eux. À mesure que vos enfants grandissent, apprenez-leur à utiliser les appareils correctement et de manière sécurisée. Le non-respect de ces consignes peut causer des blessures graves.
- Éliminez les cartons, sacs en plastique et autres emballages après avoir déballé la laveuse. Les enfants risquent de s'en servir pour jouer. Les cartons recouverts de tapis, couvre-lit ou du plastique en feuilles peuvent former des espaces hermétiques. Le non-respect de ces consignes peut causer des blessures graves.
- Conservez les produits de lessive hors de portée des enfants. Pour éviter les risques de blessure, respectez tous les avertissements imprimés sur les étiquettes des produits. Le non-respect de ces avertissements peut entraîner des blessures graves.
- Avant que la laveuse soit déplacée pour entretien ou jetée, retirez la porte du compartiment de lavage pour éviter le risque qu'un enfant ou de petits animaux n'y soient pris au piège. Le non-respect de ces consignes peut causer des blessures graves ou provoquer le décès.

EXIGENCES RELATIVES À LA MISE À LA TERRE

IMPORTANT : Lire attentivement. POUR BRANCHER L'ÉLECTRICITÉ

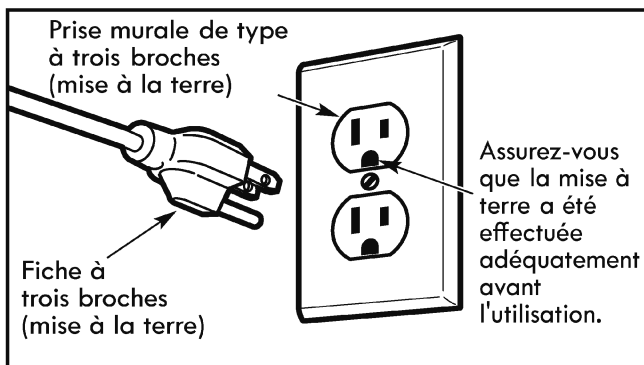
⚠ ATTENTION

Une mauvaise connexion du conducteur de mise à la terre peut entraîner un risque de décharge électrique. Consultez un électricien ou un technicien en entretien qualifié en cas de doute sur la mise à la terre de l'appareil. Ne modifiez pas la fiche fournie avec votre appareil. Si celle-ci ne correspond pas à la prise, faites remplacer cette dernière par un électricien qualifié. Le non-respect de cet avertissement peut causer des blessures, un incendie, une décharge électrique ou provoquer le décès.

EXIGENCES RELATIVES À LA MISE À LA TERRE

Cet appareil doit être mis à la terre. En cas de panne ou de défaillance, la mise à la terre réduit le risque de décharge électrique en offrant un chemin de moindre résistance au courant électrique. Cet appareil doit être muni d'un cordon doté d'un conducteur de mise à la terre et d'une fiche avec mise à la terre. Vous devez brancher la fiche dans une prise appropriée qui est bien installée et mise à la terre conformément à tous les codes et ordonnances en vigueur dans votre région.

- N'utilisez pas de rallonge.
- Ne retirez pas la broche de mise à la terre de la prise.



CARACTÉRISTIQUES ET AVANTAGES

PIÈCES ET COMPOSANTS PRINCIPAUX

A DISTRIBUTEUR DE DÉTERGENT

Il y a quatre bacs. Ils servent respectivement au prélavage, au lavage, à l'eau de Javel et à l'assouplissant.

B PANNEAU DE COMMANDE AVEC ÉCRAN LED

L'écran à DEL pratique indique les options de cycle, les réglages, l'état du cycle et le temps restant estimé pendant le fonctionnement.

REMARQUE : Les capteurs situés dans la laveuse détectent la taille de la brassée pour optimiser le temps de lessive, en fonction du cycle et des options sélectionnées.

C MOTEUR À ENTRAÎNEMENT DIRECT

Le moteur à entraînement direct améliore les performances et la fiabilité tout en optimisant l'efficacité énergétique. (Le moteur n'est pas visible.)

D TAMBOUR GRANDE CAPACITÉ EN INOX

Le tambour ultra-large en inox est conçu pour durer très longtemps et est incliné pour améliorer l'efficacité et faciliter le chargement d'articles volumineux.

E PORTE VERROUILLABLE D'ACCÈS FACILE

La porte extra-large se verrouille pendant le fonctionnement. Elle ne s'ouvre que lorsque c'est sans danger.

F PANNEAU D'ACCÈS AU FILTRE

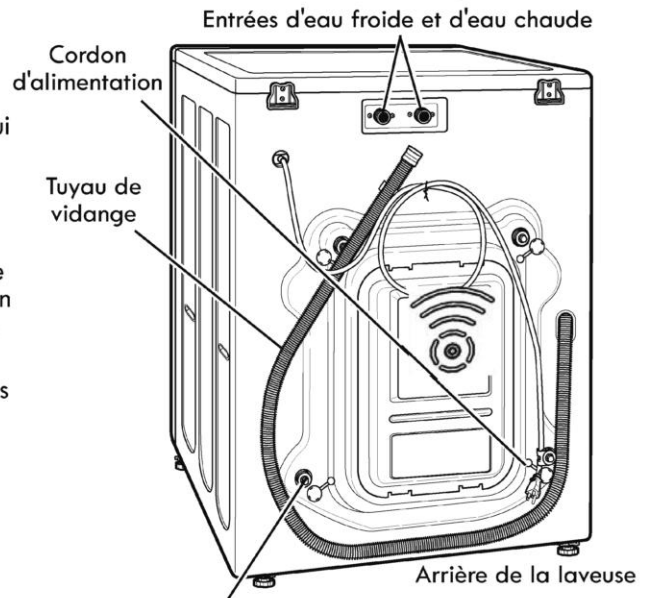
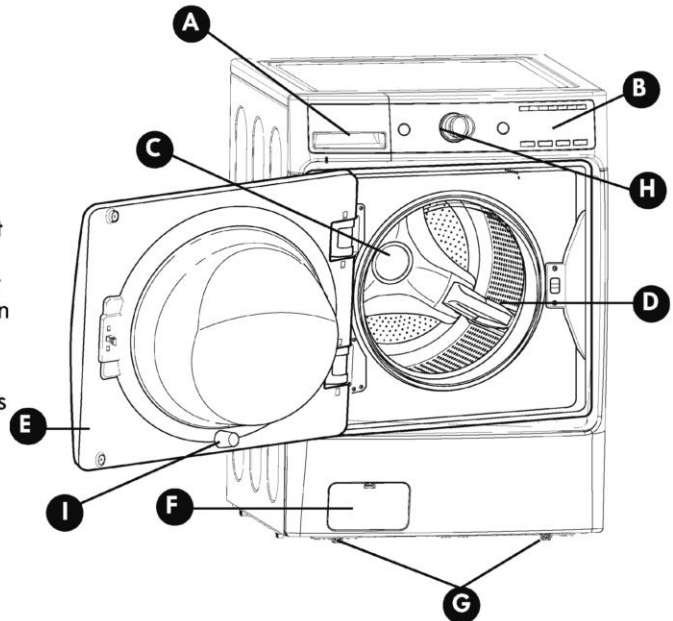
Offre un accès facile au filtre de la pompe de vidange ce qui vous permet de nettoyer le filtre ou de récupérer des objets perdus sans faire appel au service de dépannage.

G PIEDS DE NIVELLEMENT

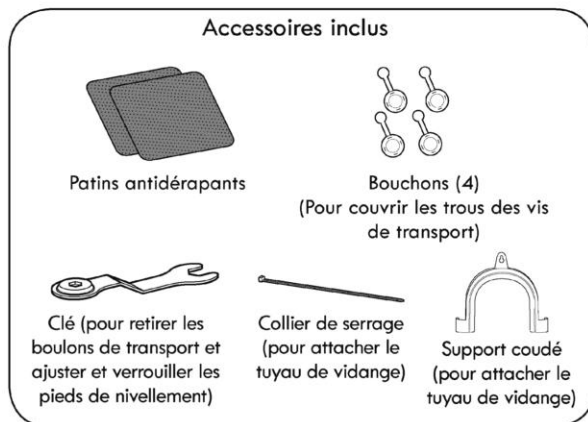
Quatre pieds de nivellement (deux à l'avant et deux à l'arrière) se règlent pour améliorer la stabilité de la laveuse sur des sols irréguliers. Les pieds sont réglés et verrouillés en position grâce à la clé de réglage fournie avec la laveuse.

I CYCLES VAPEUR HAUTE EFFICACITÉ

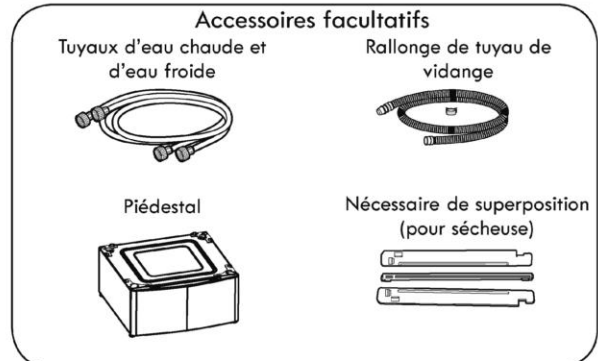
Pendant ces cycles, de la vapeur brûlante est dirigée sur les tissus pour déloger les taches tenaces.



Boulons/fixations de transport (4)
REMARQUE : Les boulons/fixations **DOIVENT** être retirés et mis de côté avant la mise en marche. Gardez-les pour utilisation ultérieure.



La forme de la clé peut varier.



DIRECTIVES D'INSTALLATION

DIMENSIONS ET CARACTÉRISTIQUES TECHNIQUES

Description	Laveuse à chargement frontal
Exigences en matière d'électricité	120 VAC, 60Hz
Pression d'eau max.	20-120 PSI (138 - 827 kPa)
Dimensions	68,6 cm (L) X 75,6 cm (P) X 98,3 cm (H), 129,5 cm (P avec porte ouverte) 27 po (L) X 29 3/4 po (P) X 38 11/16 po (H), 51 po (P avec porte ouverte)
Poids net	93 kg (205 lb)
Vitesse max. de rotation	1 300 RPM

CHOIX DE L'EMPLACEMENT ADÉQUAT



ATTENTION

- Cette laveuse est lourde. Deux personnes ou plus sont nécessaires lors de son déballage et de son déplacement. Le non-respect de cet avertissement peut causer des dommages matériels ou des blessures graves.
- Entrez et installez la laveuse dans un endroit où celle-ci ne risque pas d'être exposée aux intempéries ou à des températures inférieures au point de congélation. Le non-respect de cet avertissement peut causer des blessures, un incendie, une décharge électrique ou provoquer le décès.
- La mise à la terre de la laveuse doit être conforme aux codes et ordonnances en vigueur. Le non-respect de cet avertissement peut causer des blessures, un incendie, une décharge électrique ou provoquer le décès.
- Pour réduire les risques de décharges électriques, n'installez pas la laveuse dans des endroits mouillés ou humides. Le non-respect de cet avertissement peut causer des blessures, un incendie, une décharge électrique ou provoquer le décès.
- Afin de garantir une bonne circulation de l'air, ne bloquez pas la grande ouverture située sous la laveuse avec du tapis ou d'autres matériaux.
- N'enlevez pas la broche de mise à la terre. N'utilisez pas d'adaptateur ou de rallonge. Branchez dans une avec mise à la terre (à trois trous). Le non-respect de cet avertissement peut causer des blessures, un incendie, une décharge électrique ou provoquer le décès.

Prise de courant

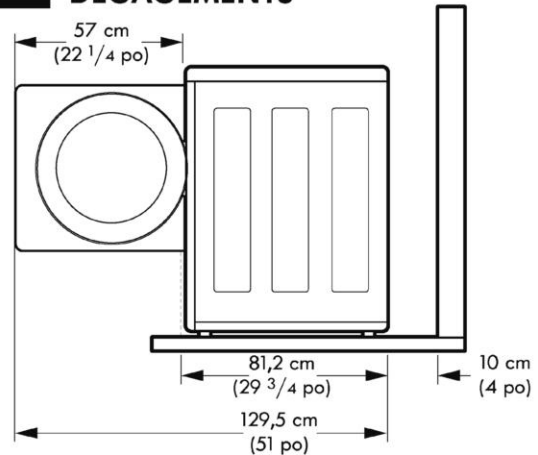
- La prise de courant doit être à moins de 1,5 m (60 po) de la laveuse.
- L'appareil et la prise doivent être positionnés de manière à ce que le cordon soit facilement accessible.
- Ne surchargez pas la prise en branchant plus d'un appareil.
- La prise doit être mise à la terre conformément aux codes et réglementations de câblages électriques en vigueur.
- Un fusible ou un disjoncteur temporisateur est recommandé.

REMARQUE : Il est de la responsabilité personnelle et du devoir du propriétaire du produit de faire installer une prise adaptée par un électricien qualifié.

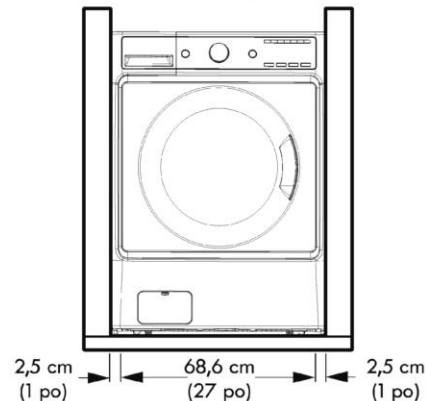
REVÊTEMENT DE SOL

- Pour réduire les bruits et vibrations, la laveuse DOIT être installée sur un sol solide. Consultez la REMARQUE ci-contre.
- La pente autorisée sous la laveuse est d'au plus 2,5 cm (1 po) d'un côté à l'autre ou de l'avant vers l'arrière.
- L'installation sur du tapis ou sur une surface en dalles souples n'est pas recommandée.
- N'installez jamais la laveuse sur une plateforme ou une structure mal soutenue.

DÉGAGEMENTS



Afin de garantir un dégagement suffisant pour les tuyaux et la circulation de l'air, laissez un espace d'au moins 2,5 cm (1 po) sur les côtés et de 10 cm (4 po) derrière l'appareil. Considérez bien les plinthes murales, les cadres de porte ou de plancher qui peuvent augmenter les espaces requis.



Laissez au moins 57 cm (22 1/4 po) devant la laveuse pour ouvrir la porte.

REMARQUE : Le sol doit être suffisamment dur et rigide pour supporter le poids d'une pleine charge de la laveuse sans ployer. Si votre sol est trop souple, vous devrez peut-être le renforcer pour le rendre plus rigide. Un sol adéquat pour une laveuse à chargement par le haut peut être trop flexible pour une laveuse à chargement frontal, en raison de la différence de vitesse et du sens de rotation. Si le sol n'est pas solide, votre laveuse pourrait vibrer et vous risquez d'entendre et de ressentir les vibrations dans toute votre résidence.

CONSIGNES D'INSTALLATION

RETRAIT DES BOULONS DE TRANSPORT

Lorsque vous déballiez la laveuse, assurez-vous de retirer le support en mousse situé au milieu du carton d'emballage (voir schéma ci-dessous).

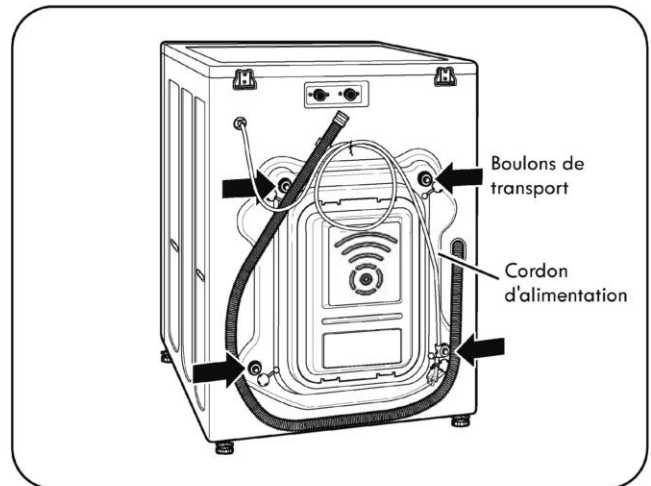
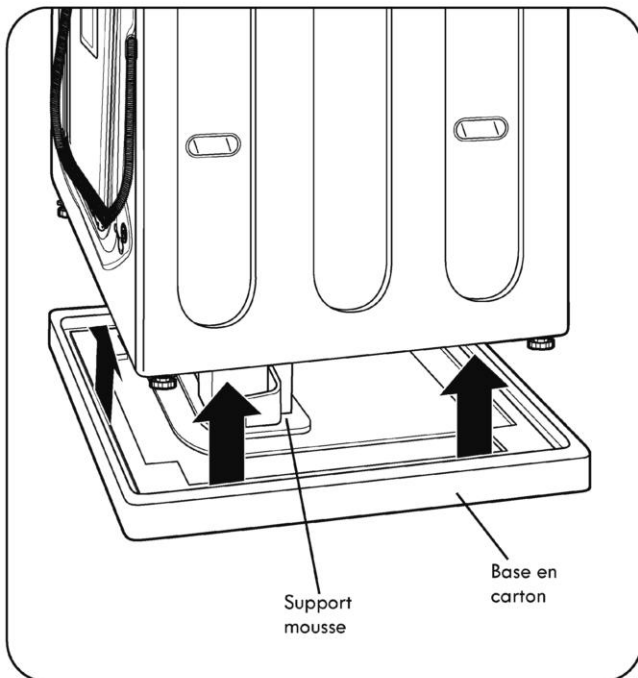
Si vous devez coucher la laveuse pour retirer les matériaux d'emballage, protégez-en toujours le côté avant de l'allonger sur le côté. **NE COUCHEZ JAMAIS** la laveuse sur l'avant ou l'arrière.

Pour éviter des dommages internes pendant le transport, la laveuse est dotée de quatre boulons de transport et de fixations en plastique.

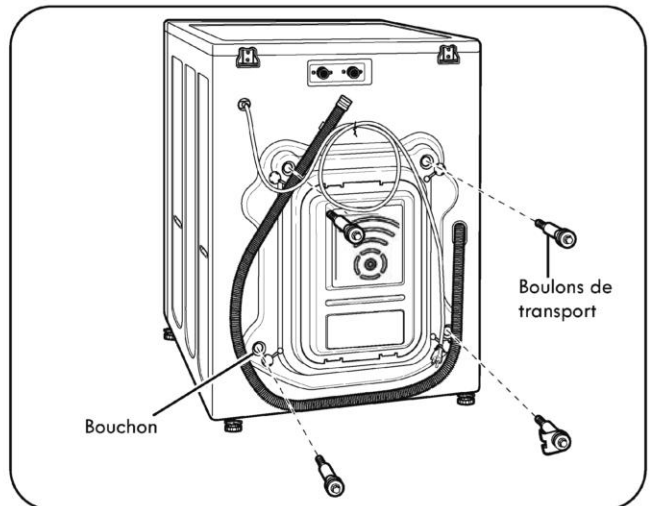
IMPORTANT :

- Ces boulons et fixations de transport **NE DOIVENT** être retirés qu'au moment de placer la laveuse à son emplacement définitif.
- Ces boulons et fixations **DOIVENT** être retirés avant de faire fonctionner la laveuse.
- D'importantes vibrations et du bruit se produiront en cas d'oubli des boulons et des fixations, ce qui peut entraîner des dommages permanents à la laveuse.

REMARQUE : Le cordon d'alimentation est relié à l'arrière de la laveuse par un boulon de transport afin d'empêcher son fonctionnement si les boulons sont toujours en place.



1. En commençant par les deux boulons de transport du bas, utilisez la clé (incluse) pour dévisser complètement les quatre boulons de transport en les tournant dans le sens anti-horaire.

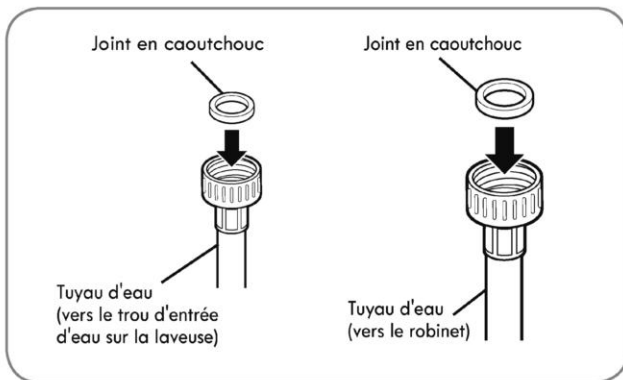


2. Retirez les boulons en les remuant légèrement tout en tirant.
3. Localisez les quatre bouchons inclus dans le sac d'accessoires et placez-les dans les trous laissés vacants par les boulons.

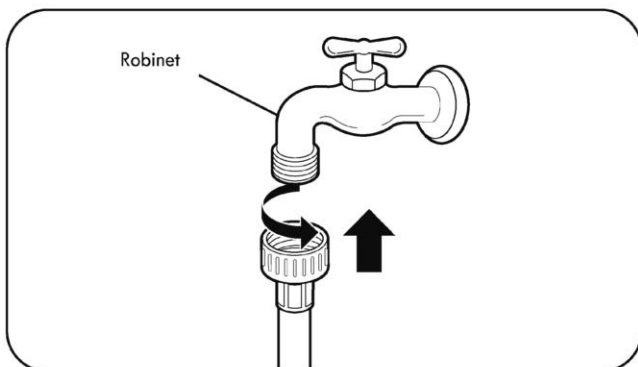
REMARQUE : Gardez les boulons pour une utilisation ultérieure. Pour éviter d'endommager les composants internes, **NE TRANSPORTEZ PAS** la laveuse sans réinstaller les boulons de transport.

BRANCHEMENT DES TUYAUX

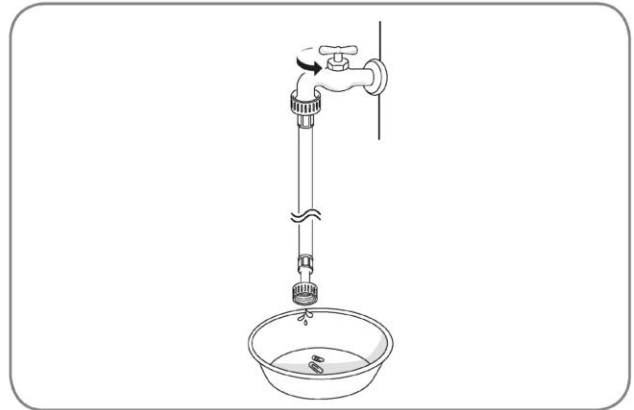
- **IMPORTANT** : Utilisez des tuyaux neufs lorsque vous installez la laveuse. Ne réutilisez PAS de vieux tuyaux.
- La pression d'entrée d'eau doit être entre 20 psi et 120 psi (138 – 827 kPa). Si elle est supérieure à 116 psi, une soupape de dépressurisation doit être installée.
- Vérifiez régulièrement que le tuyau ne présente pas de fissure, de fuite ou d'usure, et remplacez-le si nécessaire.
- Assurez-vous que les tuyaux ne sont pas étirés, pincés, écrasés ou emmêlés.
- La laveuse ne devrait jamais être entreposée ou installée dans un endroit où la température pourrait chuter en-deça du point de congélation. Cela peut endommager les tuyaux et les mécanismes internes de la laveuse. Si elle a été exposée au froid avant son installation, laissez-la à température ambiante pendant plusieurs heures et vérifiez qu'il n'y a pas de fuite avant de l'utiliser.
- Pour des performances de lavage optimales, la température de l'eau chaude doit être réglée à 48-57°C (120° -135°F) et celle de l'eau froide à 15°C (60°F).



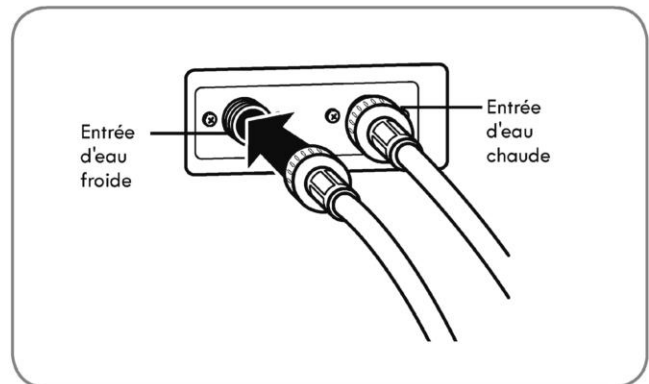
1. Inspectez le raccord fileté de chaque tuyau et assurez-vous qu'ils sont tous deux équipés d'un joint en caoutchouc à leur extrémité.



2. Reliez les tuyaux d'entrée d'eau aux robinets d'eau CHAUDE et FROIDE en vissant bien à la main, puis en vissant $\frac{2}{3}$ de tour supplémentaire avec des pinces.



3. Faites toujours couler un ou deux gallons (4 l) d'eau dans chaque tuyau d'alimentation pour les rincer et éliminer les saletés, les dépôts et les autres débris des conduites d'eau. Cela contribuera à prévenir l'obstruction des filtres, et vous permettra également de distinguer le tuyau d'eau chaude et le tuyau d'eau froide.



ATTENTION : Ne serrez pas les raccords trop fort. Cela peut endommager les joints, causant ainsi des fuites et des dégâts matériels.

4. Reliez le tuyau d'eau chaude (rouge) à l'entrée d'eau chaude à l'arrière de la laveuse. Reliez la le tuyau d'eau froide (bleu) à l'entrée d'eau froide à l'arrière de la laveuse. Vissez bien les raccords.

REMARQUE : Lorsque vous installez les tuyaux sur les raccords d'entrée d'eau, assurez-vous de ne pas fausser le filetage des raccords du tuyau. **NE VISSEZ PAS** les tuyaux trop fort, cela pourrait endommager les composants internes, le robinet ou le joint du tuyau. Cela peut entraîner des fuites et des dégâts matériels.

CONSIGNES D'INSTALLATION

BRANCHEMENT DU TUYAU DE VIDANGE

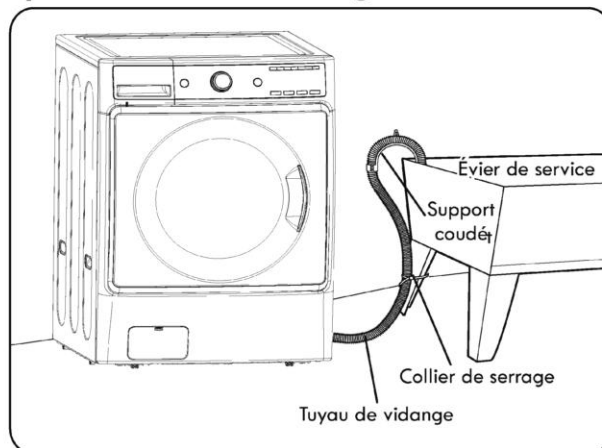
- Le tuyau de vidange doit toujours être correctement vissé. S'il ne l'est pas, cela peut entraîner une inondation et des dégâts matériels.
- N'installez pas l'extrémité du tuyau de vidange à plus de 243,8 cm (96 po) de la base de la laveuse.
- L'évacuation doit être installée conformément aux codes et règlements en vigueur.
- Assurez-vous que le tuyau de vidange n'est pas étiré, pincé, écrasé ou emmêlé.

REMARQUE :

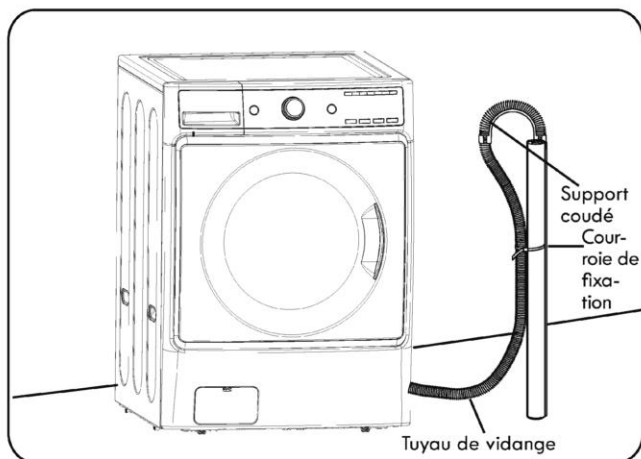
Un nécessaire de rallonge du tuyau de vidange est offert si celui-ci est trop court. N'étendez pas le tuyau sur plus de 2 m (6 pi) pour ne pas empêcher l'évacuation et provoquer une mauvaise rotation et lessive.



Option 2 : Tambour à linge



Option 1 : Colonne montante



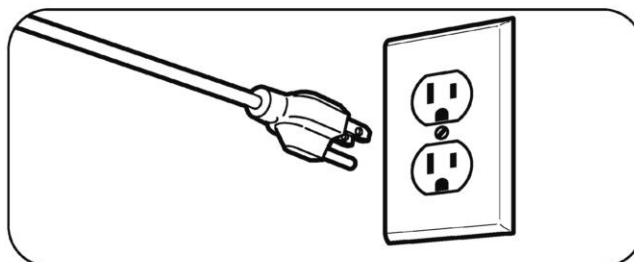
Installez l'extrémité du tuyau de vidange dans le support coudé. N'étendez pas le tuyau de vidange plus de 10 cm (4 po) au-delà de l'extrémité du support coudé. Utilisez une courroie de fixation pour maintenir le tuyau de vidange en place.

REMARQUES :

- La hauteur totale du tuyau ne doit pas dépasser 243,8 cm (96 po) de la base de la laveuse.
- Le tuyau de vidange doit être inséré sur moins de 20 à 30 cm (de 8 à 12 po) dans la colonne montante. En cas d'insertion trop profonde, des moisissures ou des micro-organismes peuvent se développer à l'intérieur de la laveuse.

BRANCHEMENT DU CORDON D'ALIMENTATION

La laveuse doit être branchée dans une prise murale à trois broches (mise à la terre) de 120 V, 60 Hz. Vous pouvez brancher la laveuse.



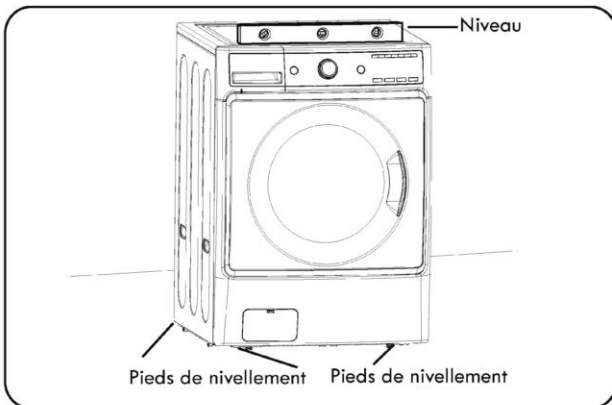
NIVELLEMENT DE LA LAVEUSE

Le tambour de votre nouvelle laveuse tourne à une vitesse très élevée. Pour minimiser les vibrations, les bruits et les mouvements indésirables, elle doit être posée sur une surface plane et solide.

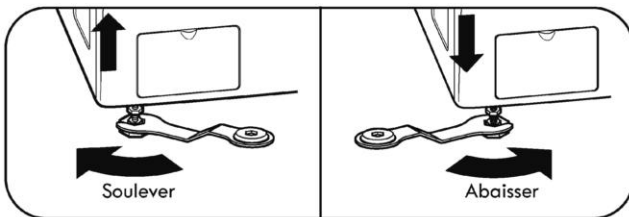
REMARQUE : Ajustez les pieds uniquement si nécessaire pour niveler la laveuse. Celle-ci peut se mettre à vibrer si les pieds de nivellement sont trop déployés.

REMARQUE : Avant d'installer la laveuse, assurez-vous que le sol est propre, sec et exempt de toute poussière, saleté, flaque d'eau ou d'huile afin que les pieds de la laveuse ne puissent pas glisser facilement. Le glissement des pieds sur le sol peut contribuer aux vibrations et au bruit en raison d'un mauvais contact avec le sol. Voir INSTALLATION DE PATINS ANTIDÉRAPANTS pour plus d'informations.

REMARQUE : Si vous devez utiliser un bac d'égouttement, vérifiez les consignes fournies avec celui-ci et le réglage des pieds pour permettre un contact ferme et uniforme avec le bac. Utiliser le bac sans ajuster correctement l'inclinaison de votre appareil peut augmenter les vibrations et le bruit pendant le fonctionnement. Balancez la laveuse d'un coin à l'autre pour vérifier que les quatre pieds reposent fermement sur le sol.

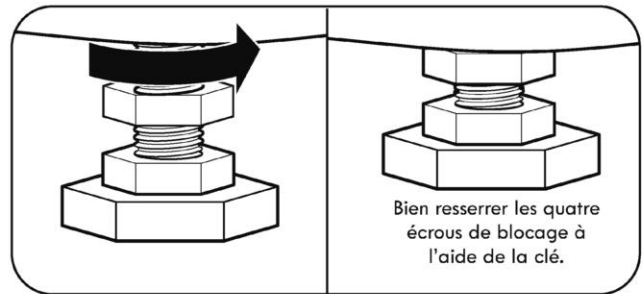


1. Installez la laveuse à son emplacement définitif en prenant soin de ne pas pincer, étirer ou écraser les tuyaux. Placez un niveau en travers sur le dessus de la laveuse.



2. Dévissez les écrous des quatre pieds avec la clé jusqu'à ce que vous puissiez régler leur hauteur (la forme de la clé peut varier). Tourner les pieds dans le sens horaire pour soulever la laveuse, et dans le sens anti-horaire pour l'abaisser. À l'aide d'un niveau, ajustez les pieds jusqu'à ce que la laveuse soit de niveau latéralement et d'avant en arrière. Vérifiez que les quatre pieds reposent fermement sur le sol.

REMARQUE : Si vous installez la laveuse sur le piédestal facultatif, ses pieds doivent être complètement rétractés. Utilisez les pieds du piédestal pour mettre la laveuse de niveau. 41



3. Une fois que la laveuse est de niveau des deux côtés et d'avant en arrière, utilisez la clé de réglage pour resserrer les quatre écrous de blocage et empêcher les pieds de se dérégler en cours de fonctionnement. Vérifiez que les quatre pieds de nivellement reposent fermement sur le sol.

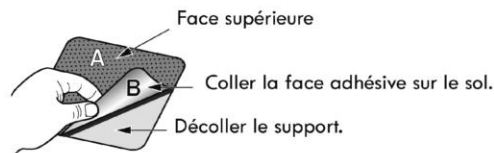
REMARQUE : Pour vérifier que la laveuse est bien au niveau, faites ce test : placez une brassée moyenne dans la laveuse. Appuyez ensuite sur le bouton POWER, choisissez RINSE & SPIN et appuyez sur START/PAUSE. Consultez les sections suivantes pour plus d'informations sur la sélection de cycle et le fonctionnement. Vérifiez que la laveuse ne balance/vibre pas trop pendant le cycle d'essorage. Sinon, ajustez les pieds pendant l'essorage jusqu'à ce que les vibrations diminuent.

INSTALLATION DE PATINS ANTIDÉRAPANTS (facultatif)

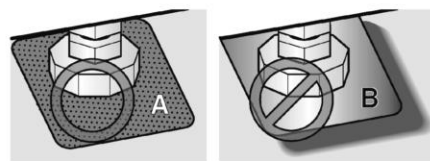
Certaines surfaces sont trop glissantes pour empêcher la laveuse de se déplacer pendant des brassées déséquilibrées. Même s'il est normal que certaines brassées le soient, l'excès de bruit et de vibration peut provenir du déplacement de la laveuse. Si tel est le cas, suivez les consignes ci-dessous pour installer des patins antidérapants. Ces patins aideront à empêcher la laveuse de se déplacer lors de grosses brassées déséquilibrées, réduisant ainsi le bruit et les vibrations.

REMARQUE : Les patins antidérapants sont inclus dans le nécessaire d'installation.

Patins antidérapants

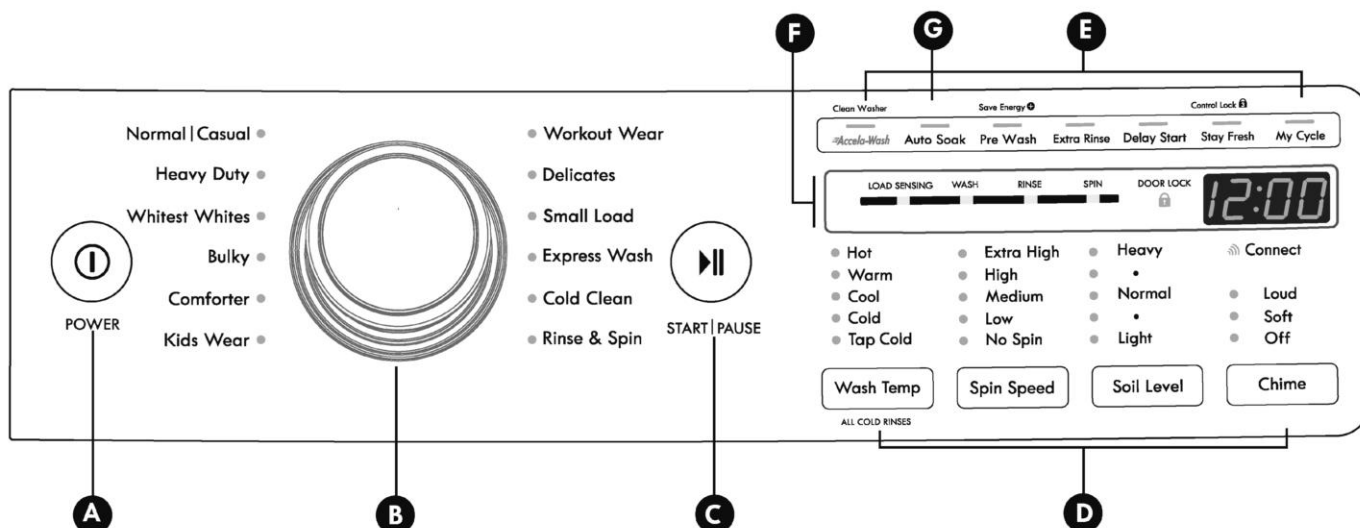


*Placer les patins sous les deux pieds frontaux.



ATTENTION : Pour réduire le risque d'incendie, de décharge électrique ou de blessure, lisez et suivez bien ce mode d'emploi et guide d'entretien, y compris les consignes de sécurité, avant d'utiliser cette laveuse.

CARACTÉRISTIQUES DU PANNEAU DE COMMANDE



A BOUTON D'ALIMENTATION (POWER [marche/arrêt])
Appuyez pour allumer ou éteindre la laveuse.

REMARQUE : Si vous appuyez sur la touche POWER pendant un cycle, celui-ci sera annulé et tous les réglages de cette brassée seront perdus. La porte se déverrouillera après une courte pause, à moins que le niveau ou la température de l'eau ne soit trop élevé.

B MOLLETTE DE SÉLECTION DE CYCLE
Tournez cette mollette pour sélectionner le cycle désiré. Une fois que le cycle souhaité a été sélectionné, les pré-réglages par défaut apparaîtront à l'écran. Ces paramètres peuvent être réglés à l'aide des touches de réglage de cycle à n'importe quel moment avant le début du cycle.

C TOUCHE START/PAUSE (démarrage/arrêt temporaire)
Appuyez sur cette touche pour lancer le cycle sélectionné. Si la laveuse est en marche, appuyez sur cette touche pour interrompre le cycle sans perdre les réglages actuels.

REMARQUE : Si vous n'appuyez pas sur la touche START/PAUSE dans les quatre minutes après la sélection d'un cycle, la laveuse s'éteindra automatiquement.

D BOUTONS DE RÉGLAGE DE CYCLE
Utilisez ces touches pour sélectionner les paramètres pour le cycle sélectionné. Ceux-ci s'allumeront au-dessus des touches pour indiquer la sélection en cours.

E TOUCHES SPÉCIALES DE CYCLE ET D'OPTIONS
Ces touches activent des cycles ou des options spéciales.

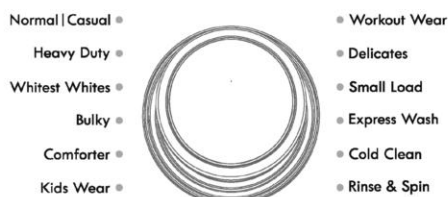
F AFFICHAGE DU TEMPS ET DE L'ÉTAT
L'écran indique l'état du cycle, le verrouillage de la porte et le temps restant estimé.

REMARQUE : Afin de protéger vos vêtements, tous les réglages ne sont pas disponibles pour tous les cycles.

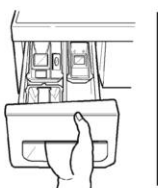
UTILISATION DE LA LAVEUSE



POWER



ALL COLD RINSES



START | PAUSE

1 TRIEZ LE LINGE ET CHARGEZ LA MACHINE

Triez le linge par type de tissu, degré de saleté, couleur et taille de brassée, selon vos besoins. Ouvrez la porte et chargez les éléments sélectionnés dans la laveuse.

2 ALLUMEZ LA LAVEUSE

Appuyez sur la touche POWER pour allumer la laveuse. Les voyants autour de la mollette de sélection de cycle s'illumineront et un carillon retentira.

3 SÉLECTIONNEZ UN CYCLE

Tournez la mollette de sélection de cycle en direction du cycle souhaité. Les pré-réglages de température de lavage, de vitesse d'essorage, de niveau de saleté et les options pour ce cycle s'afficheront.

4 SÉLECTIONNEZ LES RÉGLAGES DE CYCLE

Les paramètres par défaut pour le cycle sélectionné peuvent maintenant être modifiés si vous le souhaitez. Utilisez les touches de réglage de cycle.

REMARQUE : Afin de protéger vos vêtements, tous les réglages ne sont pas disponibles pour tous les cycles.

5 SÉLECTIONNEZ LES OPTIONS DU CYCLE

Les options du cycle peuvent être ajoutées grâce aux touches d'option.

REMARQUES :

- Pour protéger les tissus, les réglages ne sont pas tous offerts pour tous les cycles. Les options de cycle peuvent également être ajoutées à l'aide des touches d'option.
- Toutes les options ne sont pas disponibles pour tous les cycles. Un carillon différent se fera entendre et le voyant ne s'allumera pas si la sélection n'est pas disponible.

6 AJOUTEZ DU DÉTERGENT

Ajoutez du détergent hautement efficace (HE) dans le tiroir de distribution de détergent. Pour obtenir de bonnes performances de lavage, mesurez toujours la quantité de détergent en utilisant le doseur fourni par le fabricant.

7 COMMENCEZ LE CYCLE

Appuyez sur la touche START/PAUSE pour commencer le cycle. La porte se verrouillera et la laveuse culbutera brièvement la brassée sans eau pour en déterminer le poids.

Si vous appuyez sur START/PAUSE, le cycle s'interrompra et la porte sera déverrouillée. Appuyez sur la touche START/PAUSE à nouveau pour reprendre le cycle de lavage.

MODE D'EMPLOI

GUIDE DES CYCLES

Le guide des cycles ci-dessous indique les réglages par défaut, les options disponibles et les types de tissus recommandés pour chaque cycle. Les réglages permis sont indiqués en-dessous du réglage par défaut pour chaque cycle.

● = Option disponible
 ■ = Réglage par défaut

Cycle	Type de tissu ou de lessive	Temps affiché (min.)	Détection de lessive	Option de lavage	Temp. de lavage	Vitesse d'essorage	Niveau de saleté	Lessive rapide	Traitement à la vapeur	Pré-lavage	Rinçage suppl.	Dé-marrage retardé	Fraîcheur	Trem-page auto	Économie d'énergie
Normal/ Ordinaire	Coton, lin, serviettes, chemises, draps, jeans, brassée mixte	26-53	Oui	Oui	■ Tiède	■ Grande	■ Normal	●	●	●	●	●	●	●	●
					● Très grde Chaud Froid Eau courante	● Très grde Moyenne Faible Ss essor.	● Fort Faible								
Haut ren- dement	Tissus en coton très sales	74-131	Oui	Oui	■ Tiède	■ Très grde	■ Fort	●	●	●	●	●	●	●	●
					● Chaud Froid Eau courante	● Grande Moyenne Faible Ss essor.	● Normal Faible								
Blanc intense	Cotons blancs sales à très sales	66-76	Oui	Oui	■ Chaud	■ Grande	■ Normal	●	●	●	●	●	●	●	●
					● Tiède Froid Eau courante	● Très grde Moyenne Faible	● Fort Faible								
Articles vo- lumineux/ Literie	Linge volumineux (couvertures, couettes)	56	Non	Oui	■ Tiède	■ Moyenne	■ Normal	●	●	●	●	●	●	●	●
					● Chaud Froid Eau courante	● Faible Ss. essor.	● Fort Faible								
Couette	Couettes, couvertures et tapis.	56	Oui	Oui	■ Tiède	■ Grande	■ Normal	●	●	●	●	●	●	●	●
					● Chaud Froid Eau courante	● Moyenne Faible Ss essor.	● Fort Faible								
Vêtements d'enfants	Cycle conçu pour laver et rincer les vêtements d'enfants	86-96	Oui	Oui	■ Chaud	■ Grande	■ Fort	●	●	●	●	●	●	●	●
					● Tiède Froid Eau courante	● Très grde Moyenne Faible Ss essor.	● Normal Faible								

REMARQUES :

- Pour protéger vos vêtements, toutes les options (température de lavage, vitesse d'essorage, niveau de saleté) ne sont pas disponibles pour chaque cycle. Un carillon différent sera émis et le voyant ne s'allumera pas si la sélection n'est pas disponible.
- La laveuse ajuste automatiquement le temps de lavage selon la quantité de linge, la pression de l'eau, le temps de chauffage de l'eau et d'autres conditions de fonctionnement.
- Ces cycles utilisent différents mouvements de lavage pour améliorer les performances de nettoyage ou d'entretien du tissu. Les mouvements de lavage peuvent sembler différents selon les étapes du cycle. Cela est normal.
- La taille de lessive recommandée pour le cycle de Soins hygiéniques est de 4,54 kg (10 livres).
- Lorsque l'option Lessive rapide est sélectionnée, le tambour tourne pour rincer les vêtements. Pour utiliser l'option Sans rotation, vous devez désélectionner l'option Lessive rapide.

GUIDE DES CYCLES (suite)

Le guide des cycles ci-dessous indique les réglages par défaut, les options disponibles et les types de tissus recommandés pour chaque cycle. Les réglages permis sont indiqués en-dessous du réglage par défaut pour chaque cycle.

● = Option disponible
 ■ = Réglage par défaut

Cycle	Type de tissu ou de lessive	Temps affiché (min.)	Détection de lessive	Option de lavage	Temp. de lavage	Vitesse d'essorage	Niveau de saleté	Lessive rapide	Traitement à la vapeur	Pré-lavage	Rinçage suppl.	Dé-marrage retardé	Fraîcheur	Trempage auto	Économie d'énergie
Vêtements de sport	Tissu infroissable, synthétique	57	Non	Oui	■ Tiède	Moyenne	Normal								
					● Froid	Faible	Fort								
Linge délicat	Chemises, chemisiers, vêtements en nylon, en satin ou en dentelle	41	Non	Oui	■ Froid	Moyenne	Normal								
					● Tiède	Faible	Fort			●	●	●	●	●	
Petite brassée	Brassées normalement sales et petites	45	Oui	Oui	■ Tiède	Grande	Normal								
					● Chaud	Très grde	Fort			●	●	●	●		
Lavage express	Petites brassées peu sales	15	Non	Oui	■ Chaud	Très grde	Faible								
					● Tiède	Grande	Normal	●		●	●	●			
Nettoyage à froid	Petites brassées de coton, lin, serviettes, chemises, draps, jeans, brassées mixtes	73-82	Oui	Oui	■ Froid	Grande	Normal								
					● Eau courante	Très grde	Faible			●	●	●	●	●	
Rincer et essorer	Brassées qui doivent simplement être rincées.	18	Non	Non	■ Froid	Grande	N/A								
					●	Très grde			●	●	●				

REMARQUES :

- Pour protéger vos vêtements, toutes les options (température de lavage, vitesse d'essorage, niveau de saleté) ne sont pas disponibles pour chaque cycle. Un carillon différent sera émis et le voyant ne s'allumera pas si la sélection n'est pas disponible.
- La laveuse ajuste automatiquement le temps de lavage selon la quantité de linge, la pression de l'eau, le temps de chauffage de l'eau et d'autres conditions de fonctionnement.
- Ces cycles utilisent différents mouvements de lavage pour améliorer les performances de nettoyage ou d'entretien du tissu. Les mouvements de lavage peuvent sembler différents selon les étapes du cycle. Cela est normal.
- La taille de lessive recommandée pour le cycle de Soins hygiéniques est de 4,54 kg (10 livres).
- Lorsque l'option Lessive rapide est sélectionnée, le tambour tourne pour rincer les vêtements. Pour utiliser l'option Sans rotation, vous devez désélectionner l'option Lessive rapide.

TRIAGE DES BRASSÉES

Étiquettes d'entretien du linge

De nombreux vêtements comportent une étiquette d'entretien. En utilisant le schéma ci-dessous, réglez le cycle et les options pour prendre soin de vos vêtements conformément aux recommandations du fabricant.

Étiquettes d'entretien des vêtements

Cycle de lavage à la machine

Normal	Permanent press/ wrinkle resistant	Gentle/ delicate

Hand wash **Do not wash** **Do not wring**

Température de l'eau

Hot	Warm	Cold/cool

Symboles d'eau de Javel

Any bleach (when needed)	Only non-chlorine bleach (when needed)	Do not bleach

Tri du linge

Pour obtenir d'excellents résultats, et pour réduire le risque d'abîmer vos vêtements, prenez soin de trier votre linge en brassées composées d'articles similaires. Le mélange des différents types de tissus ou des niveaux de saleté peut entraîner de mauvaises performances de lavage, le transfert des couleurs ou la décoloration, abîmer vos vêtements ou les effiloche. Les tissus doivent être triés par groupes comme décrit ci-dessous.

Couleurs

Triez les articles par couleur. Nettoyez les vêtements foncés ensemble dans une brassée séparée des couleurs claires ou du blanc. Le mélange de couleurs foncées et claires peut entraîner le transfert de teinture ou la décoloration des vêtements plus clairs.

Niveau de saleté

Lavez ensemble les vêtements très sales. Une brassée composée de vêtements très sales et peu sales peut entraîner de mauvaises performances de lavage pour ces derniers.

Type de tissu

Les articles délicats ne doivent pas être mélangés avec les vêtements plus lourds ou résistants. Le lavage de tissus délicats avec des vêtements lourds peut entraîner de mauvaises performances de lavage pour ces derniers et peut abîmer les tissus délicats.

Type de peluchage

Certains tissus attirent les bouloches tandis que d'autres perdent leurs bouloches en cours de lavage. Ne mélangez pas ces deux types de tissus dans la même brassée pour éviter la formation de bouloches et de peluches sur les vêtements qui les attirent (par exemple, vêtement collecteur de peluches - pull en tricot; producteur de peluches - serviette éponge).

Chargement de la laveuse

- Videz toutes les poches. Les éléments tels que les trombones, allumettes, stylos, pièces et clés peuvent abîmer votre laveuse et vos vêtements.
- Fermez les fermetures éclair les crochets et attachez les cordons pour éviter qu'ils ne s'accrochent à d'autres vêtements.
- Prétraitez les zones très sales pour obtenir de meilleurs résultats.
- Mélangez des vêtements de petite et de grande taille dans une même brassée. Chargez les éléments volumineux en premier.
- Les articles de grande taille ne doivent pas composer plus de la moitié de la brassée.
- Le tambour ne doit pas être surchargé de linge. La porte du lave-linge doit se fermer facilement.
- Pour garantir un bon équilibrage de la lessive, ne lavez pas d'article seul. Ajoutez un ou deux articles similaires à votre brassée. Les articles grands et volumineux tels que les couvertures, couettes ou dessus de lit doivent être lavés individuellement.
- Ne mettez pas à laver ou à essorer du linge étanche tels des manteaux imperméables, des sacs de couchage, etc.
- Lorsque vous videz la laveuse, vérifiez sous le joint de la porte qu'il n'y a pas de petits articles.

REMARQUE : Assurez-vous que la zone autour du joint est dégagée lorsque vous fermez la porte. Si vous surchargez la machine, des petits articles risquent de se coincer entre la porte et le joint. Cela peut abîmer l'article et le joint.

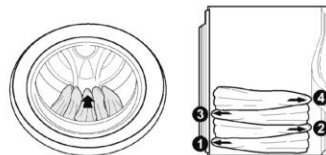


- **NE SURCHARGEZ PAS LE TAMBOUR**
- **VÉRIFIEZ QUE LES VÊTEMENTS NE SONT PAS COINCÉS DANS LE JOINT DE LA PORTE**

Triez le linge ...

Par couleur	Par saleté	Par tissu	Par peluchage
Blancs	Très sale	Délicat	Producteur de bouloches
Couleurs claires	Sale	Entretien facile	Collecteur de bouloches
Couleurs foncées	Peu sale	Résistant	

- Pour un meilleur rendement, chargez les vêtements comme il est indiqué sur l'image.

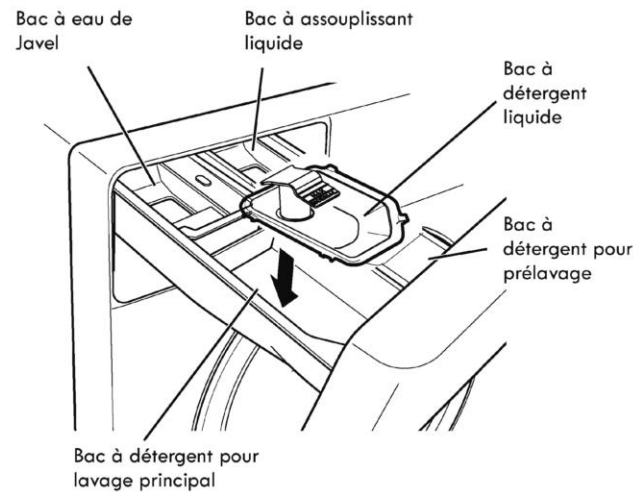


- Chargez les vêtements sans les compacter et sans surcharger la cuve. Pour être bien nettoyés, les vêtements doivent circuler librement dans la cuve.
- Ne comprimez pas les articles lorsque vous les chargez dans la cuve.

À PROPOS DU TIROIR DISTRIBUTEUR

Le distributeur automatique est composé de quatre compartiments contenant :

- L'eau de Javel;
- L'assouplissant liquide;
- Le détergent liquide ou en poudre pour le prélavage;
- Le détergent liquide ou en poudre et le javellisant non décolorant pour le lavage principal.



Bac de détergent prélavage

Ajoutez du détergent liquide ou en poudre dans ce bac lorsque vous utilisez l'option Prélavage. Utilisez toujours du détergent Haute Efficacité (HE) avec votre laveuse.

La quantité de détergent ajoutée pour l'option Prélavage doit être la moitié de celle recommandée pour le cycle de lavage principal. Par exemple, si le cycle de lavage principal nécessite $\frac{1}{2}$ mesure de détergent, ajoutez $\frac{1}{4}$ de mesure dans le bac de prélavage.

REMARQUE : Si vous utilisez du détergent liquide pour le lavage principal avec l'option Prélavage placez le récipient de détergent liquide dans le bac de lavage principal. Ceci empêchera que le détergent liquide du lavage principal ne soit appliqué immédiatement.

Bac de détergent de lavage principal

Ce bac contient le détergent de lessive pour le cycle de lavage principal. Le détergent est ajouté au linge en début de cycle. Utilisez toujours du détergent Haute Efficacité (HE) avec votre laveuse. Vous pouvez utiliser du détergent liquide ou en poudre.

Ne dépassez **jamais** les doses recommandées par le fabricant lorsque vous ajoutez du détergent. Si vous utilisez trop de détergent, celui-ci risque de s'accumuler dans les vêtements et dans la laveuse.

REMARQUE : Le javellisant non décolorant liquide ou en poudre peut être ajouté dans le bac de lavage principal avec du détergent de même type. N'ajoutez PAS de javellisant non décolorant liquide ou en poudre dans le bac à eau de Javel. Ne mélangez PAS les produits nettoyants liquides et en poudre dans le même bac.

Bac à eau de Javel

Ce compartiment contient l'eau de Javel qui est distribuée automatiquement au moment opportun pendant le cycle de lavage.

- N'ajoutez pas de javellisant non décolorant liquide ou en poudre dans ce bac. Le bac à eau de Javel est conçu pour distribuer de l'eau de Javel seulement. Du javellisant non décolorant liquide ou en poudre ne sera pas distribué correctement.
- Ne dépassez jamais les doses recommandées par le fabricant lorsque vous ajoutez de l'eau de Javel. Ne dépassez pas la ligne de niveau maximal car cela pourrait entraîner le déversement immédiat de l'eau de Javel et abîmer les vêtements. Une trop grande quantité d'eau de Javel peut abîmer les vêtements.
- Ne versez jamais d'eau de Javel liquide directement sur le linge dans le tambour. Vous risqueriez d'abîmer vos vêtements.

Bac à assouplissant

Ce bac contient l'assouplissant liquide pour vêtements, qui est automatiquement déversé pendant le cycle de rinçage final.

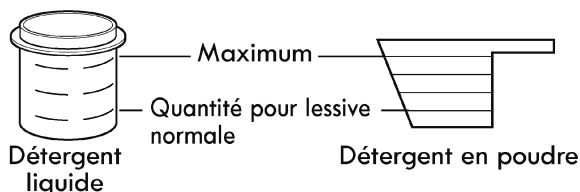
Ne dépassez jamais les doses recommandées par le fabricant lorsque vous ajoutez de l'assouplissant. Si vous utilisez trop d'assouplissant, celui-ci risque de s'accumuler dans les vêtements et dans la laveuse. Vous pouvez utiliser de l'assouplissant liquide ou en poudre.

- Respectez toujours les recommandations du fabricant lorsque vous ajoutez de l'assouplissant. Ne dépassez pas la ligne de niveau maximal. Vous risquez de tacher vos vêtements si vous utilisez trop d'assouplissant.
- Diluez les assouplissants concentrés avec de l'eau chaude. Ne dépassez pas la ligne de niveau maximal.
- Ne versez jamais d'adoucissant directement sur le linge dans le tambour.

DÉTERGENT ET USAGE DU DISTRIBUTEUR

Un mot à propos des détergents

Les détergents à haute efficacité (HE) produisent moins de mousse, se dissolvent plus rapidement pour améliorer les performances de lavage et de rinçage et contribuent à la propreté de votre laveuse. Si votre détergent n'est pas à HE, il risque de trop mousser et de donner lieu à de mauvaises performances, entraînant des codes d'erreur, des pannes de cycle et des dommages à la laveuse.



Pour obtenir de bonnes performances de lavage, mesurez toujours la quantité de détergent en suivant les indications fournies par le fabricant.

La quantité normale de détergent HE nécessaire pour des brassées normales est de moins de la moitié du maximum recommandé. **Utilisez moins de détergent** en cas d'eau douce, de faible niveau de saleté ou de petites brassées. N'utilisez **jamais** plus de la quantité maximale recommandée par le fabricant du détergent.



Conçue pour ne recevoir que du détergent haute efficacité (HE)

IMPORTANT : Votre laveuse est conçue pour ne recevoir que des détergents à haute efficacité (HE). Les détergents HE possèdent une formule spéciale pour les laveuses à chargement frontal et contiennent des agents qui éliminent les résidus. Vérifiez toujours la présence du symbole HE lorsque vous achetez du détergent.

IMPORTANT : Tous les détergents ne sont pas les mêmes. Faites bien attention à la quantité de détergent utilisée pour éviter un excès de résidus, un mauvais rinçage et une accumulation de détergent sur vos vêtements et dans la laveuse, pouvant occasionner des mauvaises odeurs dans l'appareil. **N'UTILISEZ JAMAIS** un doseur différent de celui fourni par le fabricant du détergent que vous utilisez. N'utilisez jamais plus que la quantité maximale de détergent recommandée par le fabricant. Mesurez toujours la quantité de détergent. Même si les détergents HE sont conçus spécialement pour ce type de laveuse, faites attention en dosant le détergent. Pour la plupart des brassées normales, vous ne devriez pas utiliser plus du quart ou de la moitié du bouchon-doseur ou de la cuillère-doseuse de détergent à HE.

REMARQUE : Faites particulièrement attention lorsque vous utilisez des détergents concentrés **2x** ou **3x** car même une faible quantité supplémentaire peut entraîner les problèmes susmentionnés.

REMARQUE : Les détergents compatibles à HE peuvent ne pas donner les meilleurs résultats.

Remplissage du distributeur

Pour ajouter du détergent, de l'eau de Javel et de l'assouplissant dans le distributeur automatique :

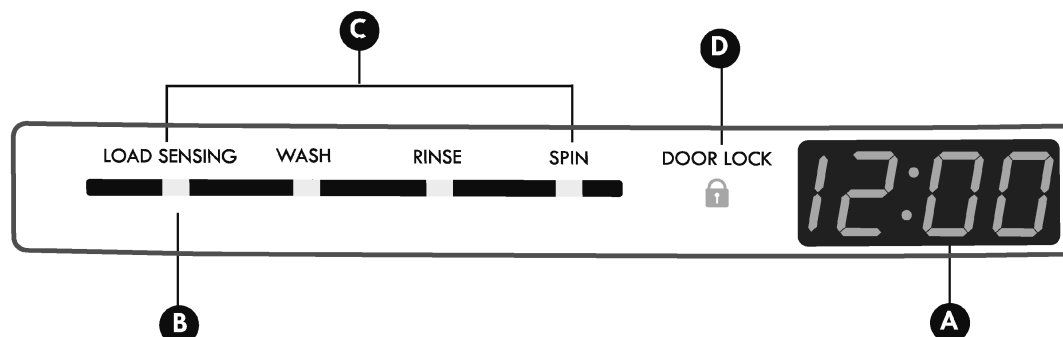
- 1 Ouvrez le tiroir du distributeur.
- 2 Introduisez les produits de lessive dans les bacs appropriés.
- 3 Fermez le tiroir avant que ne commence le cycle.

REMARQUE : Il est normal qu'une faible quantité d'eau reste dans les bacs à eau de Javel et à assouplissant à la fin du cycle.

IMPORTANT : Ne placez pas, et n'entreposez pas, de produits de lessive, tels que des détergents, de l'eau de Javel ou de l'assouplissant, sur votre laveuse ou sècheuse. Essuyez immédiatement en cas de déversement. Ces produits peuvent endommager la finition et les commandes.

AFFICHAGE DU TEMPS ET DE L'ÉTAT

L'affichage du temps et de l'état indique le temps restant estimé, la progression du cycle et l'état de verrouillage de la porte.



A TEMPS RESTANT ESTIMÉ

Lorsque vous appuyez sur la touche START/PAUSE (démarrer/suspendre), la laveuse détectera automatiquement la taille de la brassée pour les cycles utilisant cette fonction. La commande optimisera ensuite les temps de lavage et de rinçage en fonction du cycle sélectionné, des réglages et des options. Lorsque la taille de la brassée a été déterminée, l'écran affichera le temps de cycle estimé au lieu des pointillés (- - -). Pour les cycles sans option de détection de la taille de brassée, le temps estimé s'affichera lors de la sélection du cycle.

REMARQUES :

- Le temps indiqué n'est qu'une estimation. Par exemple, le temps indiqué peut se figer pendant un certain temps pendant que la machine réchauffe l'eau ou équilibre la charge. Dans certaines conditions, la machine peut arrêter de fonctionner pendant de longues périodes.
- Le temps estimé est basé sur des conditions de fonctionnement normales. Plusieurs facteurs externes (taille de la brassée, température de la pièce, température d'entrée d'eau, etc.) affectent également la durée estimée par rapport à la durée réelle.

B INDICATEUR DE DÉTECTION DE TAILLE DE BRASSÉE

Au début des cycles utilisant la fonctionnalité de détection de taille de brassée, le voyant LOAD SENSING clignotera pendant que la détection est en cours. Une fois que la taille a été déterminée, la commande règle le cycle pour permettre des performances optimales. Le temps restant estimé ne s'affichera pas avant que la taille de la brassée n'ait été déterminée, et peut être différent pour chaque brassée.

C INDICATEUR D'ÉTAT DU CYCLE

Ces voyants à DEL s'allument pour indiquer dans quelle étape du cycle la laveuse se trouve actuellement. Une lumière clignotante indique l'étape en cours du cycle. Lorsque cette étape est terminée, la lumière restera allumée.

D INDICATEUR DE VERROUILLAGE DE PORTE

Indique que la porte est verrouillée. La porte de la laveuse sera verrouillée lorsque celle-ci est en marche. La porte peut être déverrouillée en appuyant sur START/PAUSE pour interrompre le fonctionnement de la laveuse.

REMARQUES :

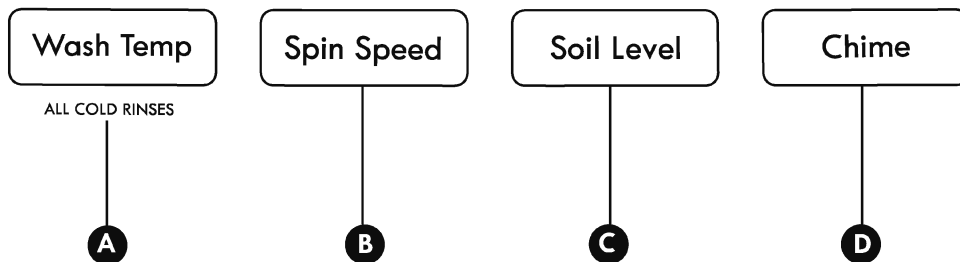
- Si la température dans la laveuse est trop élevée, la porte restera bloquée jusqu'à ce que la laveuse refroidisse.
- Si le niveau d'eau est trop élevé, la porte ne se déverrouillera pas. Pour évacuer l'eau, appuyez sur POWER, puis sur le bouton SPIN SPEED sans sélectionner de cycle. Appuyez sur START/PAUSE et l'eau commencera à se vider tandis que les vêtements tourneront. N'essayez pas d'ouvrir la porte en forçant, cela pourrait l'endommager.

BOUTONS DE RÉGLAGE DE CYCLE

Chaque cycle possède des réglages par défaut, sélectionnés automatiquement. Vous pouvez aussi personnaliser ces réglages à l'aide des touches de réglage de cycle. Appuyez sur la touche de réglage souhaitée jusqu'à ce que la lumière correspondante s'allume. La laveuse ajuste automatiquement le niveau d'eau selon le type de brassée et sa taille pour obtenir les meilleurs résultats et un maximum d'efficacité. En raison de la nature très efficace de ce produit, le niveau d'eau peut être beaucoup plus bas qu'attendu. Ceci est normal et les performances de lavage/rinçage n'en seront pas affectées.

REMARQUE : Pour protéger vos vêtements, certaines options de température de lavage, de vitesse d'essorage, de niveau de saleté ou autres ne sont pas disponibles pour tous les cycles. Un carillon retentira et le voyant ne s'allumera pas si la sélection n'est pas disponible.

- | | | | |
|------------|--------------|----------|-----------|
| ● Hot | ● Extra High | ● Heavy | 📶 Connect |
| ● Warm | ● High | ● • | ● Loud |
| ● Cool | ● Medium | ● Normal | ● Soft |
| ● Cold | ● Low | ● • | ● Off |
| ● Tap Cold | ● No Spin | ● Light | |



A TEMP. DE LAVAGE

L'option Température de lavage sélectionne la bonne combinaison de température de lavage et de rinçage pour le cycle sélectionné. Appuyez sur la touche WASH TEMP jusqu'à ce que le voyant du réglage souhaité s'allume.

- Votre laveuse comporte un élément de chauffage pour augmenter la température de l'eau chaude en réglage Extra chaud. Cela donne de meilleures performances de lavage pour un réglage normal de votre chauffe-eau.
- Sélectionnez la température d'eau appropriée pour le type de brassée que vous souhaitez laver. Suivez les consignes d'entretien sur les étiquettes des vêtements pour obtenir des résultats optimaux.
- Le rinçage à froid utilise moins d'énergie. La température de rinçage réelle dépend de la température de l'eau froide qui s'écoule de votre robinet.
- L'eau froide est utilisée pour tous les cycles de rinçage.

B VITESSE D'ESSORAGE

Plus la vitesse d'essorage est élevée, plus l'eau est éliminée des vêtements, réduisant le temps de séchage et économisant l'énergie. Appuyez sur la touche SPIN SPEED jusqu'à ce que la vitesse voulue s'affiche. Certains tissus délicats nécessitent des vitesses de rotation plus faibles. Afin de protéger vos vêtements, toutes les vitesses ne sont pas disponibles pour tous les cycles

Le cycle Égoutage et essorage :

1. Appuyez sur la touche POWER pour allumer la laveuse.
2. Appuyez sur la touche SPIN SPEED pour sélectionner la vitesse d'essorage souhaitée. Pour un simple égouttage, sélectionnez l'option NO SPIN.
3. Appuyez sur la touche START/PAUSE. L'eau se videra et les vêtements se feront culbuter avant que l'essorage commence.

C NIVEAU DE SALETÉ

Le réglage du niveau de saleté prolongera le cycle en cas de vêtements très sales ou le raccourcira pour des vêtements peu sales. Appuyez sur la touche SOIL LEVEL jusqu'au niveau de saleté souhaité.

D CARILLON

Appuyez plusieurs fois pour régler le volume du carillon et le son des touches. Vous pouvez activer ou désactiver le carillon de fin de cycle et les sons des touches à partir du bouton CHIME.

CYCLES VAPEUR ET OPTIONS

Votre laveuse possède plusieurs options de cycle supplémentaires qui vous permettent de personnaliser les cycles en fonction de vos besoins personnels.

- 1 Allumez la laveuse et tournez la mollette de sélection de cycle pour choisir celui souhaité.
- 2 Utilisez les touches de réglage de cycle pour ajuster les réglages de ce cycle.
- 3 Appuyez sur la touche d'option de cycle correspondant à l'option que vous souhaitez ajouter. La touche s'allumera lorsque cette option est sélectionnée. Pour des fonctions auxiliaires, enfoncez la touche pendant cinq secondes. Le voyant clignotera lorsque l'option auxiliaire est sélectionnée. L'option principale et son auxiliaire ne peuvent pas être sélectionnées ensemble.
- 4 Si l'option sélectionnée n'est pas permise pour le cycle, le carillon retentira deux fois pour vous en informer et le voyant à DEL ne s'allumera pas.
- 5 Appuyez sur la touche START/PAUSE pour commencer le cycle. Après un court instant, la porte se verrouillera et le cycle commencera.

REMARQUE : Pour protéger vos vêtements, certaines options ne sont pas disponibles pour tous les cycles.

REMARQUE : Si vous n'appuyez pas sur le bouton START/PAUSE dans un intervalle de quatre minutes, la commande s'éteindra et les paramètres seront perdus.

DÉMARRAGE RETARDÉ



Après avoir sélectionné le cycle et les autres paramètres, appuyez sur ce bouton pour retarder le départ d'un cycle de lavage.

Chaque pression de la touche augmente le retard d'une heure, jusqu'à 19 heures. Une fois que le délai est réglé, appuyez sur START/PAUSE pour lancer le décompte.

RINÇAGE SUPPL.



Cette option ajoutera un rinçage supplémentaire au cycle sélectionné. Utilisez-la afin de garantir l'élimination des résidus de détergent ou d'eau de Javel des tissus.

LESSIVE RAPIDE



L'option Lavage rapide utilise une double injection d'eau et de détergent qui réduit le temps du cycle tout en conservant les performances de lavage d'un cycle normal.

FRAÎCHEUR



Cette fonction évite l'incrustation de plis dans les vêtements et préserve leur fraîcheur si vous ne les sortez pas de la laveuse dès que le cycle est terminé. Appuyez sur la touche STAY FRESH (fraîcheur) pour culbuter le linge par intermittence et faire circuler de l'air frais dans le tambour pendant une durée allant jusqu'à huit heures. Appuyez sur le bouton de mise en marche ou START/PAUSE (démarrer/suspendre) pour sortir les vêtements à tout moment.

PRÉLAVAGE



Sélectionnez cette option pour ajouter un cycle de pré-lavage, de rinçage et d'essorage de 15 minutes au cycle choisi. Cela est très utile pour le linge très sale.

FONCTIONS SPÉCIALES

VERROUILLAGE DU PANNEAU DE COMMANDE



Cette option désactive les commandes. La laveuse ne peut être verrouillée que durant un cycle. Cette fonction permet d'empêcher les enfants de changer les cycles ou d'allumer l'appareil. Activée, elle verrouille les touches et doit être désactivée pour réactiver les commandes. Lorsque la laveuse est éteinte, le bouton POWER permettra de l'allumer, mais les commandes resteront verrouillées. En cas de verrouillage, « CL » apparaîtra à l'écran en alternance avec le temps restant estimé. Enfoncez la touche STAY FRESH pendant cinq secondes pour activer ou désactiver les touches.

CYCLE PROPRETÉ



Une accumulation de résidus de détergent dans le tambour peut causer une odeur de moisi ou de vieux. Le cycle Propreté est conçu pour éliminer ces éventuels résidus de détergent dans le tambour, à l'aide d'un javellisant ou d'un autre produit nettoyant conçu pour les laveuses à chargement frontal. Lancez ce cycle une fois par mois, ou plus souvent en cas d'utilisation intensive ou de persistance des odeurs. Voir les consignes détaillées dans la section ENTRETIEN ET NETTOYAGE.

- 1 Allumez la laveuse et enfoncez la touche ACCELA-WASH pendant cinq secondes. Pour annuler le cycle Propreté après l'avoir sélectionné, sélectionnez un autre cycle.
- 2 Remplissez le bac à eau de Javel jusqu'à la ligne MAX. Ne dépassez pas cette ligne. Cela entraînerait le déversement immédiat de l'eau de Javel.

REMARQUE : Pour d'autres produits de nettoyage, suivez les recommandations du fabricant du produit. Pour les produits en poudre, introduisez le produit dans le bac de lavage principal du tiroir. Placez les nettoyeurs en pastille directement dans le tambour.

- 3 Appuyez sur la touche START/PAUSE pour commencer le cycle.
- 4 Une fois le cycle terminé, laissez la porte entrouverte grâce à l'aimant de porte. Ceci favorise la circulation de l'air et permet à l'intérieur de la machine de sécher. Pour utiliser cette fonction, refermez la porte jusqu'à ce qu'elle soit en contact avec l'aimant.

REMARQUE : N'utilisez PAS ce cycle avec des vêtements, et n'ajoutez PAS de détergent ni d'assouplissant.

MON CYCLE



La fonction MON CYCLE vous permet de mémoriser un cycle de lavage personnalisé. Vous pouvez enregistrer vos préférences de température, de vitesse d'essorage, de niveau de saleté et d'autres options pour un cycle, puis les rappeler d'une simple touche.

REMARQUE : Vous ne pouvez mémoriser qu'un cycle à la fois. En enfoncez la touche MY CYCLE, vous effacez le programme personnalisé enregistré auparavant.

Pour enregistrer un programme MON CYCLE :

- 1 Appuyez sur la touche POWER pour allumer la laveuse.
- 2 Tournez la mollette pour sélectionner le cycle souhaité.
- 3 Appuyez sur la touche CYCLE MODIFIER pour régler le cycle comme souhaité.
- 4 Appuyez sur la touche CYCLE OPTION pour ajouter les options souhaitées.
- 5 Maintenez la touche MY CYCLE enfoncée pendant cinq secondes.

Pour rappeler un programme MON CYCLE :

- 1 Appuyez sur POWER pour allumer la laveuse.
- 2 Appuyez sur la touche MY CYCLE. Les paramètres enregistrés s'afficheront.
- 3 Appuyez sur la touche START/PAUSE pour commencer le cycle.

REMARQUE : MON CYCLE peut être personnalisé comme les autres cycles. Cependant, une fois que vous appuyez sur une autre touche, le voyant s'éteindra pour indiquer que les réglages ne correspondent plus à ceux du cycle en mémoire. Enfoncez la touche MY CYCLE pendant cinq secondes pour remplacer les précédents réglages MON CYCLE par les réglages actuels.

TREMPAGE AUTO



Utilisez l'option de TREMPAGE AUTO pour pré-tremper les vêtements afin de déloger plus facilement les taches tenaces. Cette option offre un prétrempage de 30 minutes avant le démarrage du cycle sélectionné. Une fois le prétrempage terminé, la même eau sera utilisée pour le cycle sélectionné. Pour activer la fonction de TREMPAGE AUTO, enfoncez la touche STEAM TREAT pendant 5 secondes.

ÉCONOMIE D'ÉNERGIE



Cette option économise l'énergie en utilisant de l'eau plus froide tout en augmentant les temps de lavage et de rinçage afin d'augmenter les performances de lavage. Cette fonctionnalité n'est disponible que pour les cycles Normal/Ordinaire et Haut rendement, comme indiqué ci-dessous. Pour activer la fonction d'économie d'énergie, maintenez la touche PRE WASH enfoncée pendant cinq secondes.

- Normal/Ordinaire - L'eau chaude devient tiède
- Normal/Ordinaire - L'eau tiède devient froide
- Haut rendement - L'eau chaude devient tiède



ATTENTION : Pour réduire le risque d'incendie, de décharge électrique ou de blessure, lisez et suivez l'ensemble de ce mode d'emploi et guide d'utilisation, y compris les consignes de sécurité, avant d'utiliser cette laveuse.

- Débranchez la laveuse avant de la nettoyer pour éviter tout risque de décharge électrique. Le non-respect de cet avertissement peut causer des blessures, un incendie, une décharge électrique ou provoquer le décès.
- N'utilisez jamais de produits chimiques agressifs, de nettoyeurs abrasifs ou de solvants pour nettoyer la laveuse. Ils endommageront les surfaces de finition.

NETTOYAGE DE ROUTINE

Nettoyage de l'extérieur

L'entretien adéquat de votre sècheuse peut prolonger sa durée de vie. L'extérieur de la machine peut être nettoyé avec de l'eau tiède et un détergent ménager doux, non abrasif. Essuyez immédiatement tout déversement avec un chiffon doux et humide.

IMPORTANT : N'utilisez pas d'alcools de nettoyage, de solvants ou de produits similaires. N'utilisez JAMAIS de la laine d'acier ou des produits nettoyeurs abrasifs; ils peuvent endommager les surfaces.

Nettoyage de l'intérieur

Utilisez un chiffon doux pour nettoyer autour de la porte de la laveuse, du joint et de la vitre. Ces zones doivent rester propres pour garantir leur étanchéité. Essuyez bien sous le joint en caoutchouc interne. Retirez toujours les vêtements de la laveuse dès la fin du cycle pour éviter qu'ils ne se froissent, décolorent ou sentent. Lancez le cycle Propreté au moins une fois par mois pour éliminer les amas de détergent.

Nettoyage de la laveuse

- 1 Retirez les vêtements du tambour.
- 2 Ouvrez le tiroir du distributeur.
- 3 Ajoutez de l'eau de Javel ou un autre produit nettoyant conçu spécifiquement pour les lave-linges à chargement frontal.
 - Si vous utilisez de l'eau de Javel : versez-en dans le bac à eau de Javel du tiroir. (REMARQUE : Ne dépassez pas la ligne de remplissage maximal et ne versez pas d'eau de Javel non diluée directement dans le tambour de la laveuse.)
 - Si vous utilisez du nettoyant en poudre : retirez le récipient de détergent liquide et déposez du nettoyant en poudre dans le bac à lavage principal du tiroir de distribution.
 - Si vous utilisez du nettoyant en pastille : déposez le nettoyant en pastille directement dans le tambour de lavage.

REMARQUES :

- Ne déposez pas de nettoyant en pastille dans le tiroir.
- Ne mettez pas de détergent ni d'assouplissant dans le tiroir pour le cycle Propreté.
- 4 Allumez la laveuse et enfoncez la touche ACCELA-WASH pendant 5 secondes; le voyant correspondant clignotera. Pour annuler le cycle Propreté, sélectionnez un autre cycle.
- 5 Une fois le cycle terminé, ouvrez la porte et laissez l'intérieur du tambour sécher complètement.

REMARQUE : Lancez ce cycle une fois par mois. En cas d'odeur de moisi ou de vieux, lancez ce cycle une fois par semaine pendant trois semaines consécutives.

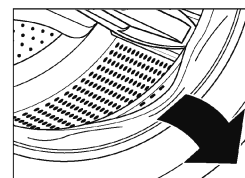
Nettoyage du joint et de la vitre de la porte

En raison de leur emplacement et nature, le joint de porte et la vitre peuvent accumuler des résidus de détergent ou de saleté.

Le nettoyage régulier avec une solution d'eau de Javel permet d'éliminer les résidus et les taches, et de désinfecter le joint pour éliminer les odeurs.

REMARQUE : Portez des gants et des lunettes de protection lorsque vous réalisez la procédure suivante :

- 1 Diluez $\frac{3}{4}$ de tasse (177 ml) d'eau de Javel dans 3,8 L d'eau tiède/chaude.
- 2 Utilisez cette solution pour essuyer toutes les surfaces du joint et la vitre de la porte afin d'éliminer tout résidu. Assurez-vous de bien replier la lèvre du joint pour passer sous le bord intérieur où les résidus peuvent s'accumuler.



- 3 Essuyez le joint et la vitre avec un chiffon sec.
- 4 Pour permettre au joint de sécher complètement, laissez la porte entrouverte grâce à l'aimant de porte. Ceci favorise la circulation de l'air et permet à l'intérieur de la machine de sécher. Pour utiliser cette fonction, refermez la porte jusqu'à ce qu'elle soit en contact avec l'aimant.

REMARQUES :

- Suivez les indications du fabricant pour utiliser adéquatement l'eau de Javel.
- Afin de ne pas endommager le joint, ne le nettoyez JAMAIS avec de l'eau de Javel non diluée.

Éliminer les dépôts minéraux

Si vous habitez dans une zone où l'eau est calcaire, du tartre peut se former sur les composants internes du lave-linge. L'utilisation d'adoucisseur d'eau est recommandée dans les endroits où l'eau est calcaire.

Utilisez un détartrant, tel que le Washer Magic®, pour éliminer les dépôts minéraux visibles. Après le détartrage, lancez toujours le cycle Propreté avant de laver les vêtements. N'utilisez PAS de laine d'acier ou de nettoyeurs abrasifs.

NETTOYAGE DE ROUTINE (suite)

Entreposage de la laveuse

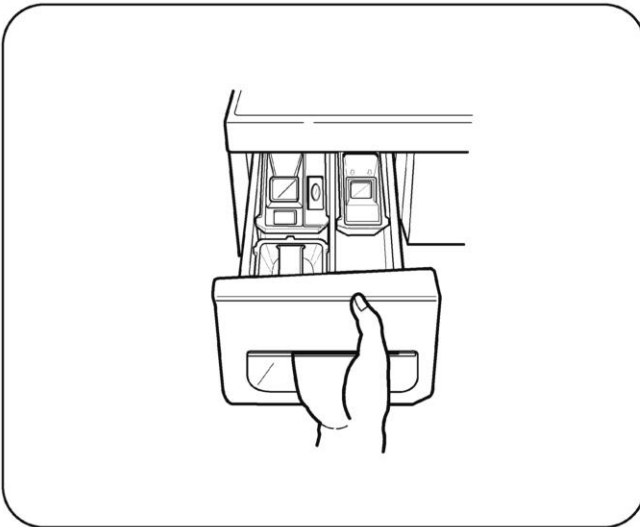
Si la laveuse n'est pas utilisée pendant une longue période et pourrait être exposée à des températures sous le point de congélation, suivez les étapes suivantes pour la protéger contre les dégâts.

- 1 Coupez l'entrée d'eau.
- 2 Débranchez les tuyaux de l'entrée d'eau et videz-les de leur eau.
- 3 Branchez le cordon d'alimentation dans une prise électrique correctement mise à la terre.
- 4 Versez 4 L de liquide antigel non toxique pour VR dans le tambour de lavage vide et fermez la porte.

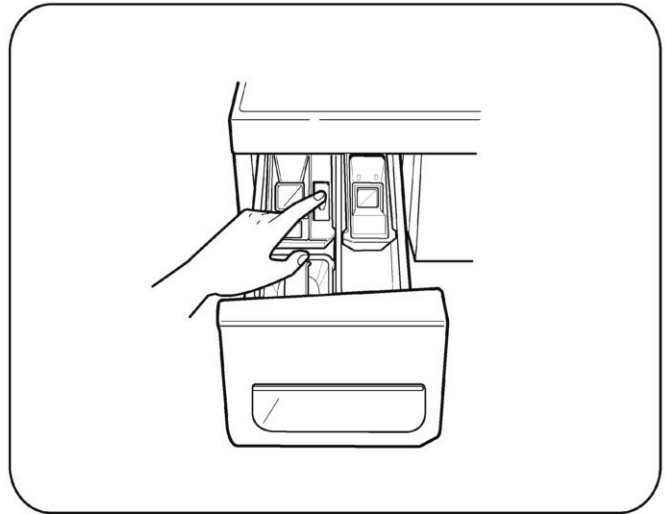
- 5 Appuyez sur POWER puis sur le bouton SPIN SPEED sans sélectionner de cycle. Appuyez sur la touche START/PAUSE pour activer la pompe de vidange. Ceci évacuera une partie de l'antigel, et en laissera suffisamment pour protéger la laveuse contre les dommages.
- 6 Débranchez le cordon d'alimentation, séchez l'intérieur du tambour à l'aide d'un chiffon doux et fermez la porte.
- 7 Référez-vous aux consignes ci-dessous pour nettoyer et sécher le tiroir du distributeur.
- 8 Entreposez la laveuse en position verticale.
- 9 Pour éliminer l'antigel de la laveuse après une période d'entreposage, lancez un cycle LAVAGE EXPRESS. N'introduisez pas de linge au cours de ce cycle.

Nettoyage du distributeur

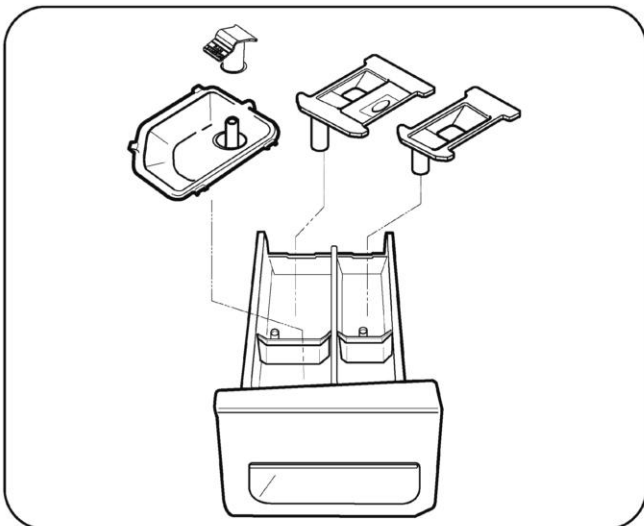
Le distributeur doit être nettoyé régulièrement pour éliminer les résidus de détergent et autres produits pouvant l'empêcher de déverser correctement le produit.



- 1 Tirez le tiroir de distribution jusqu'au bout.



- 2 Appuyez sur la languette de verrouillage située entre les bacs à eau de Javel et à assouplissant et faites glisser le tiroir vers l'extérieur.



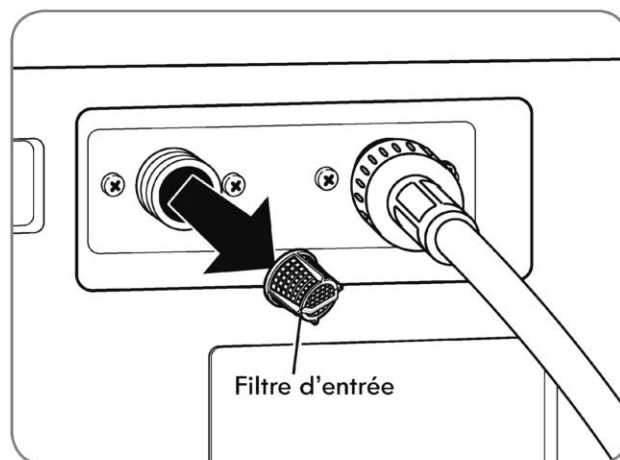
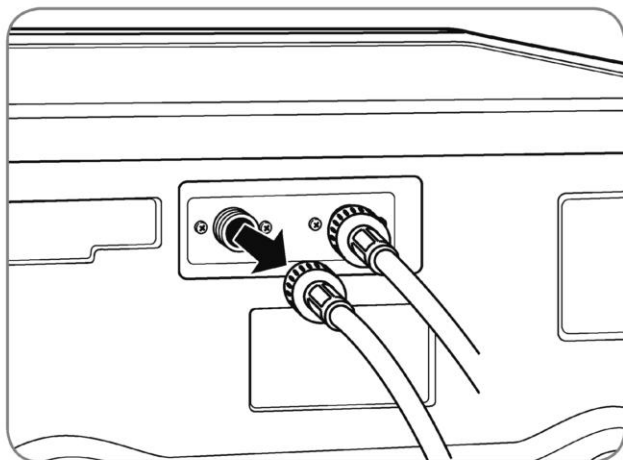
- 3 Retirez la boîte pour détergent liquide, les compartiments pour assouplissant et eau de Javel de leur bac.
- 4 Nettoyez les bacs du distributeur et les compartiments avec de l'eau savonneuse tiède.

ENTRETIEN

Nettoyage des filtres d'entrée d'eau

Si la laveuse ne se remplit pas correctement, un message d'erreur s'affichera à l'écran. Les grilles du filtre de vanne d'entrée d'eau peuvent être bouchées par du tartre, des sédiments dans l'eau ou d'autres débris.

REMARQUE : Les grilles d'entrée protègent les parties délicates de la vanne d'entrée contre les dommages causés par des particules contenues dans l'eau qui pourraient y pénétrer. Le fonctionnement sans ces filtres peut entraîner le blocage d'une vanne, causant une inondation ou des dégâts matériels.

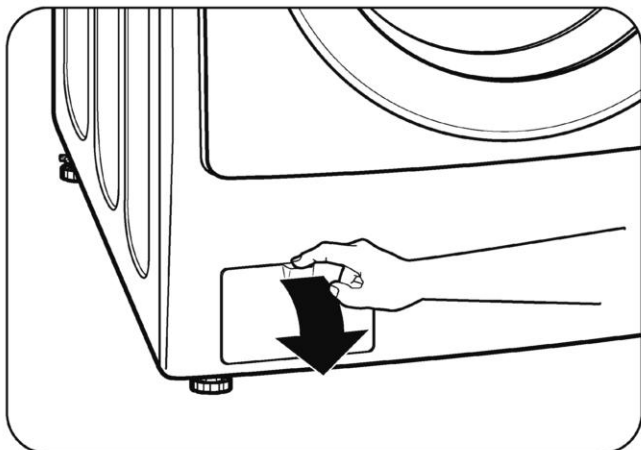


- 1 Fermez les deux robinets complètement. Dévissez les tuyaux d'eau chaude et d'eau froide à l'arrière de la laveuse.
- 2 Retirez soigneusement les filtres des vannes d'eau et trempez-les dans du vinaigre ou du détartrant, en suivant les consignes du fabricant. Veillez à ne pas endommager les filtres pendant le nettoyage.
- 3 Rincez abondamment avant de réinstaller. Remettez les filtres à leur place.
- 4 Avant de les replacer, rincez les tuyaux en laissant couler plusieurs litres d'eau des tuyaux dans un seau ou un drain.

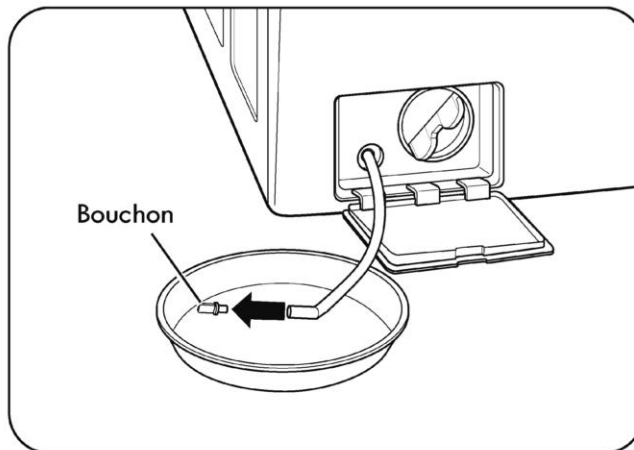
ENTRETIEN (suite)

Nettoyage du filtre de la pompe de vidange

Votre laveuse est dotée d'un filtre permettant d'empêcher que l'accumulation de bouloches et de corps étrangers tels que des boutons, des clés et des pièces n'abîment la pompe. Si l'eau ne se vide pas correctement, débranchez la laveuse et laissez l'eau refroidir, si nécessaire, avant de continuer.

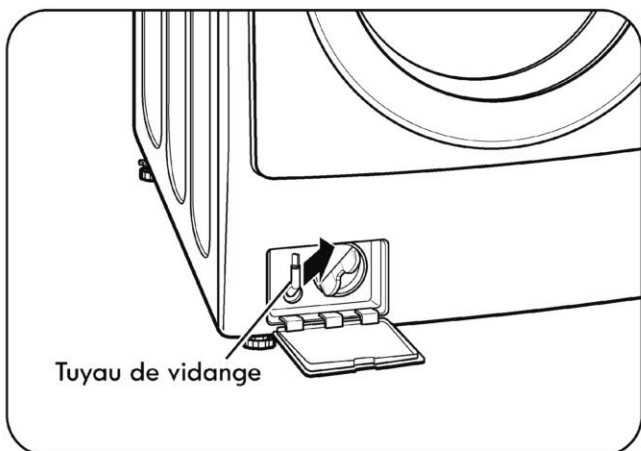


1 Ouvrez le panneau d'accès au filtre de la pompe de vidange.

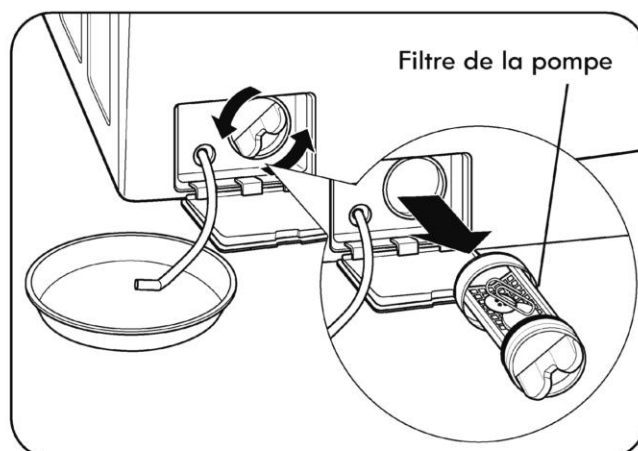


3 Retirez le bouchon du tuyau de vidange et laissez l'eau s'écouler complètement.

REMARQUE : Si le tambour contient beaucoup d'eau, vous devrez peut-être vider votre récipient plusieurs fois.



2 Détachez le tuyau de vidange, et tirez-le. Placez l'extrémité du tuyau de vidange dans un bac peu profond ou dans une bouche d'évacuation au sol. Assurez-vous de ne pas trop tirer le tuyau pour qu'il évacue correctement.



4 Tournez le filtre de la pompe dans le sens anti-horaire pour le retirer. Ôtez les bouloches et autres petits objets du filtre de la pompe. Remplacez le filtre dans l'ouverture et tournez dans le sens horaire pour le fixer. Assurez-vous de bien refermer le panneau d'accès au filtre de la pompe de vidange.

BRUITS NORMAUX QUE VOUS RISQUEZ D'ENTENDRE

Les sons suivants peuvent être entendus lorsque la laveuse fonctionne. Ils sont normaux.

Cliquetis :

Le mécanisme de verrouillage cliquète lors du verrouillage/déverrouillage de la porte

Bourdonnement ou gargouillement :

La pompe de vidange pompe parfois de l'eau de la laveuse pendant un cycle.

Bruits d'écoulement ou de sifflement :


L'eau circule pendant le cycle.

Bruits d'éclaboussures :

Les vêtements tournent pendant les cycles de lavage et de rinçage.

AVANT D'APPELER LE SERVICE DE DÉPANNAGE

Si votre laveuse ne fonctionne pas correctement ou est en panne vérifiez les éléments suivants avant d'appeler le service de dépannage.


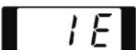


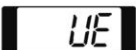


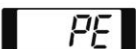
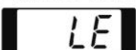
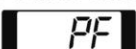
Problème	Causes possibles	Solutions
Cliquetis ou crépitement	- Des corps étrangers tels que des clés, des pièces ou des épingles peuvent se trouver dans le tambour ou la pompe.	- Arrêtez la laveuse et vérifiez que le tambour et le filtre d'évacuation ne contiennent pas de corps étrangers. Si le bruit continue après le redémarrage de la laveuse, appelez le service de dépannage.
Bruit sourd	- Les brassées volumineuses peuvent produire un bruit sourd. - La brassée dans la laveuse est peut-être déséquilibrée. - Vous lavez des chaussures ou des vêtements emmelés.	- Cela est normal. Si le son continue, la laveuse est probablement déséquilibrée. Arrêtez-la et répartissez la brassée. - Interrompez le cycle et répartissez la brassée après le déverrouillage de la porte.
Bruit de vibration	- Les boulons de transport ou le matériel d'emballage n'ont pas été retirés. - La brassée est peut-être mal répartie dans le tambour. - Les pieds de nivellement ne sont pas tous à plat sur le sol. - Le sol n'est pas assez rigide.	- Voir la section Retrait des boulons de transport dans les consignes d'installation. - Interrompez le cycle et répartissez la brassée après le déverrouillage de la porte. - Voir la section Nivellement de la laveuse dans les consignes d'installation. - Assurez-vous que le sol est solide et ne plie pas. Voir Revêtement de sol dans les directives d'installation.
Fuite d'eau autour de la laveuse	- Le raccord de tuyau d'entrée est mal vissé au robinet ou à la laveuse. - Les tuyaux de vidange de la résidence sont bouchés. - Le tuyau de vidange est sorti de la bouche d'évacuation. - Le tuyau de vidange n'est pas suffisamment inséré. - La vitre de la porte est sale.	- Vérifiez les tuyaux. Vérifiez et resserrez les raccords des tuyaux. - Débouchez les tuyaux de vidange. Contactez un plombier si nécessaire. - Attachez le tuyau de vidange à celui d'entrée ou à la colonne montante pour l'empêcher de sortir pendant la vidange. Il doit être inséré de 20 à 30 cm dans la colonne montante. - Inspectez la vitre régulièrement pour vérifier qu'il n'y pas d'accumulation de résidus ou d'autres corps étrangers. Suivez les consignes de nettoyage.
Accumulation de résidus	- Trop de détergent, ou détergent incorrect.	 N'utilisez que du détergent portant le logo Haute Efficacité (HE). Voir Détergent et usage du distributeur dans la section Mode d'emploi.

AVANT D'APPELER LE SERVICE DE DÉPANNAGE (SUITE)

Problème	Causes possibles	Solutions
Taches	<ul style="list-style-type: none"> - Eau de Javel ou assouplissant déversé trop tôt. - Ajout d'eau de Javel ou d'assouplissant directement sur le linge dans le tambour. - La laveuse n'a pas été vidée assez rapidement. - La lessive n'a pas été triée correctement. 	<ul style="list-style-type: none"> - Le bac de distribution est trop rempli, ce qui provoque le déversement immédiat de l'eau de Javel ou de assouplissant. - Le tiroir de distribution a été fermé trop vite, provoquant le déversement immédiat de l'eau de Javel ou de l'assouplissant - Les produits chimiques de lessive doivent être introduits dans le distributeur. - Retirez toujours les vêtements de la laveuse dès que possible après la fin du cycle. - Lavez toujours les couleurs foncées séparément des couleurs claires et du blanc pour éviter toute décoloration. - Ne lavez jamais des articles très sales avec des articles peu sales.
La laveuse ne s'allume pas.	<ul style="list-style-type: none"> - Le cordon d'alimentation n'est pas correctement branché. - Le fusible est grillé, le disjoncteur a basculé ou une panne de courant s'est produite. - Le fusible est grillé, ou le disjoncteur a basculé, car trop d'appareils sont branchés à la même prise. 	<ul style="list-style-type: none"> - Assurez-vous que le cordon est branché de manière sécurisée à une prise de mise à la terre (trois trous) 120 V, 60 Hz. - Réarmez le disjoncteur ou remplacez le fusible. N'augmentez pas la capacité du fusible. Si le problème est une surcharge du circuit, faites corriger la situation par un électricien qualifié. - Réarmez le disjoncteur ou remplacez le fusible. Si plusieurs appareils sont reliés à la prise, faites installer un circuit supplémentaire par un électricien.
La porte ne se déverrouille pas lorsque le cycle s'arrête ou s'interrompt.	<ul style="list-style-type: none"> - La température à l'intérieur de la laveuse est trop élevée. - Le niveau de l'eau dans la laveuse est trop élevé. 	<ul style="list-style-type: none"> - La porte de la laveuse possède une fonctionnalité de sécurité pour prévenir les blessures. Par exemple, si le fonctionnement de la laveuse est interrompu pendant une phase de lavage à chaud d'un cycle Soins hygiéniques, la température interne du tambour sera très élevée, et la porte restera verrouillée. Cela est normal. Laissez la laveuse refroidir jusqu'à ce que le voyant PORTE VERROUILLÉE s'éteigne à l'écran. - Pour évacuer l'eau, appuyez sur POWER puis sur le bouton SPIN SPEED sans sélectionner de cycle.
Le temps de cycle de lavage est plus long que d'habitude.	<ul style="list-style-type: none"> - La laveuse ajuste automatiquement le temps de lavage selon la quantité de linge, la pression de l'eau, le temps de chauffage de l'eau et d'autres conditions de fonctionnement. 	<ul style="list-style-type: none"> - Cela est normal. La laveuse règle le temps de cycle automatiquement pour donner des résultats optimaux pour le cycle sélectionné. Le temps restant indiqué à l'écran n'est qu'une estimation. La durée réelle peut varier.
Odeur de moisi ou de vieux dans la laveuse	<ul style="list-style-type: none"> - Utilisation d'un détergent inadéquat, ou trop de détergent. - L'intérieur du tambour n'a pas été nettoyé correctement. 	<ul style="list-style-type: none"> - N'utilisez que du détergent à haute efficacité (HE) conformément aux consignes du fabricant. - Lancez régulièrement le cycle Propreté. Assurez-vous d'essuyer régulièrement autour et sous le joint de porte. Voir Nettoyage de l'intérieur. - Nettoyez autour du joint et de la vitre pour empêcher les odeurs.
Froissement	<ul style="list-style-type: none"> - La laveuse n'a pas été vidée assez rapidement. - La laveuse a été surchargée. - Les tuyaux d'entrée d'eau chaude et d'eau froide sont inversés. 	<ul style="list-style-type: none"> - Retirez toujours les vêtements de la laveuse dès la fin du cycle. - Lorsque vous lavez de grosses brassées, ne surchargez pas le tambour. La laveuse peut être remplie complètement, mais les vêtements ne doivent pas être tassés dans le tambour et la porte doit se fermer facilement. - Le rinçage à l'eau chaude peut figer les plis des vêtements. Vérifiez les raccords des tuyaux d'entrée.

AVANT D'APPELER LE SERVICE DE DÉPANNAGE (SUITE)

Votre laveuse est dotée d'un système de gestion des erreurs automatique permettant de détecter les problèmes très rapidement.

Problème	Causes possibles	Solutions
L'eau dans la laveuse se vide lentement ou pas du tout, ou l'écran affiche : 	<ul style="list-style-type: none"> Le tuyau de vidange est emmêlé, pincé ou bouché. Le filtre de la pompe de vidange est bouché. Le tuyau de vidange s'élève à plus de 244 cm (96 po) de la base de la laveuse. 	<ul style="list-style-type: none"> Assurez-vous que le tuyau de vidange n'est pas bouché, emmêlé, etc. et n'est pas pincé sous ou derrière la laveuse. Nettoyez le filtre de la pompe de vidange (voir Entretien dans la section Entretien et nettoyage). Ajustez ou réparez l'évacuation. La hauteur maximale est de 244 cm (96 po).
La laveuse se remplit d'eau lentement ou pas du tout, ou l'écran affiche : 	<ul style="list-style-type: none"> Les robinets d'entrée d'eau ne sont pas complètement ouverts. Les tuyaux d'eau sont emmêlés, pincés ou écrasés. Les filtres d'entrée d'eau sont bouchés. La pression de l'entrée d'eau jusqu'au robinet ou à la résidence est trop faible. L'entrée d'eau est reliée avec des tuyaux limitant les fuites. 	<ul style="list-style-type: none"> Assurez-vous que les robinets d'eau sont ouverts au complet. Assurez-vous que les tuyaux ne sont pas emmêlés ou pincés. Faites attention en déplaçant la laveuse lors du nettoyage et de l'entretien. Nettoyez les filtres d'entrée d'eau (voir Entretien dans la section Entretien et nettoyage). Vérifiez un autre robinet dans la résidence afin de garantir que la pression d'eau est bonne et que l'eau s'écoule librement. Les tuyaux conçus pour limiter les fuites peuvent basculer par erreur et empêcher le remplissage de la laveuse. L'utilisation de tuyaux limitant les fuites n'est pas recommandée.
Le cycle de démarre pas, ou l'écran affiche :  ou 	<ul style="list-style-type: none"> La porte n'est pas correctement fermée. 	<ul style="list-style-type: none"> Assurez-vous que la porte est bien fermée et appuyez sur le bouton START/PAUSE. Après le démarrage d'un cycle, quelques instants peuvent s'écouler avant que le tambour ne commence à tourner. La laveuse ne fonctionnera que si la porte est verrouillée. Si la porte est fermée et verrouillée et que le message d'erreur de porte ouverte s'affiche, appelez le service de dépannage.
L'écran affiche : 	<ul style="list-style-type: none"> La brassée est trop petite. La brassée est déséquilibrée. 	<ul style="list-style-type: none"> Ajoutez 1 ou 2 articles similaires pour rééquilibrer votre brassée. La laveuse est dotée d'un système de détection et de correction des déséquilibres. Si des articles lourds sont introduits seuls (tapis de bain, peignoir, etc.) et que le déséquilibre est trop grand, la laveuse fera plusieurs tentatives pour redémarrer le cycle d'essorage. Si le déséquilibre persiste, la laveuse s'arrêtera et le code d'erreur s'affichera.
L'écran affiche : 	<ul style="list-style-type: none"> Erreur de commande. 	<ul style="list-style-type: none"> Débranchez la laveuse et attendez pendant 60 secondes. Rebranchez-la et réessayez. Si l'erreur réapparaît, appelez le service de dépannage.
L'écran affiche : 	<ul style="list-style-type: none"> Le niveau d'eau est trop élevé en raison d'une vanne d'eau défectueuse. 	<ul style="list-style-type: none"> Fermez les robinets d'eau, débranchez le lave-linge et appelez le service de dépannage.
L'écran affiche : 	<ul style="list-style-type: none"> Le capteur de niveau d'eau ne fonctionne pas bien. 	<ul style="list-style-type: none"> Fermez les robinets d'eau, débranchez le lave-linge et appelez le service de dépannage.
L'écran affiche : 	<ul style="list-style-type: none"> Une erreur s'est produite dans le moteur. 	<ul style="list-style-type: none"> Laissez la laveuse reposer pendant 30 minutes puis redémarrez le cycle. Si le code d'erreur LE persiste, appelez le service de dépannage.
L'écran affiche : 	<ul style="list-style-type: none"> Une panne de courant s'est produite. 	<ul style="list-style-type: none"> Si l'alimentation de la laveuse a été coupée pendant un cycle, le code d'erreur PF s'affichera la prochaine fois que la laveuse sera en marche pour vous informer que le cycle précédent peut ne pas s'être terminé. Sélectionnez un cycle pour effacer le code d'erreur et utiliser la laveuse.

Informations concernant la garantie

Garantie des électroménagers Kenmore^{MD} Elite

Si le produit est installé, utilisé et entretenu selon toutes les instructions fournies avec le produit et qu'il présente un problème relié à un défaut de fabrication ou à un vice de matériau au cours de l'année suivant la date d'achat, téléphonez au 1-800-LE-FOYER^{MD} pour procéder à la réparation gratuite de l'appareil.

Si cet appareil est utilisé à des fins autres qu'une utilisation familiale privée, cette garantie est annulée.

Cette garantie ne couvre que les défauts de fabrication et les vices de matériau. Sears ne couvre PAS les frais suivants :

1. Les articles de consommation sujets à l'usure normale, incluant, mais ne se limitant pas, les filtres, les courroies, les ampoules et les sacs.
2. La visite d'un technicien qualifié pour obtenir des instructions quant à l'installation, l'utilisation ou l'entretien correct de l'appareil.
3. La visite d'un technicien qualifié pour nettoyer ou entretenir cet appareil.
4. Les dommages ou pannes du produit causés par une installation, une utilisation ou un entretien non conformes à l'ensemble des instructions fournies avec le produit.
5. Les dommages ou pannes du produit causés par un accident, une altération, un abus, une mauvaise utilisation ou toute utilisation autre que celle pour laquelle l'appareil a été conçu.
6. Les dommages ou pannes du produit causés par l'utilisation de détergents, de produits nettoyants ou chimiques, ou d'accessoires autres que ceux recommandés dans toutes les instructions fournies avec le produit.
7. Les dommages ou défaillances des pièces ou des systèmes causés par des modifications non autorisées apportées à ce produit.

Exonération concernant les garanties implicites; limitations des recours

L'unique recours du client en vertu de cette garantie limitée est la réparation du produit tel que décrit dans le présent document. Les garanties implicites, y compris les garanties de qualité marchande ou d'adéquation à un usage particulier, sont limitées à un an ou à la période la plus courte permise par la loi. Sears ne peut être tenu responsable des dommages accessoires ou indirects. Certains états et certaines provinces ne permettent aucune restriction ou exemption sur les dommages accessoires ou indirects, ni de restriction sur la durée des garanties implicites de qualité marchande ou d'adéquation à un usage particulier. Dans ce cas, ces limitations ou exclusions pourraient ne pas s'appliquer à vous.

Cette garantie n'est valide que si ce produit est utilisé au Canada*.

Cette garantie vous donne des droits légaux précis et il est possible que vous ayez aussi d'autres droits, qui varient d'une province à l'autre.

*Au Canada, le service de réparations à domicile n'est pas disponible dans toutes les régions, et la présente garantie ne couvrira pas les frais de transport et de déplacement de l'utilisateur ou de l'agent de service si ce produit est situé dans une région éloignée (tel que défini par Sears Canada Inc.) où un agent de service autorisé n'est pas disponible. De plus, Sears Canada n'effectuera pas de service sur un appareil si la plaque de modèle et de série est manquante, altérée ou ne démontre pas facilement le logo de certification du Canada.

Sears Canada Inc., Toronto, Ontario, Canada M5B 2C3



Service des pièces et des réparations

NOUS SOMMES LÀ POUR VOUS AIDER LONGTEMPS APRÈS LA VENTE.

Pour obtenir des pièces et accessoires de rechange, composez le 1-800-LE-FOYÉ^{MD}

(1.800.533.6937), visitez Sears.ca/pièces, ou visitez le magasin Pièces et réparations Sears le plus près. Nous pouvons livrer à domicile.

*Certains produits sont vendus en ligne; pour connaître la sélection complète, veuillez téléphoner au numéro indiqué.

Nous recommandons les accessoires suivants pour prolonger la vie de votre produit et vous permettre d'économiser temps et argent.

GROS APPAREILS MÉNAGERS :	
RÉFRIGÉRATION	CUISSON
<input type="checkbox"/> Filtres d'eau ou filtres à air	<input type="checkbox"/> Filtres de hotte de cuisinière
<input type="checkbox"/> Conduites d'eau en acier inoxydable pour machine à glaçons	<input type="checkbox"/> Éléments
<input type="checkbox"/> Thermomètres	<input type="checkbox"/> Ampoules
<input type="checkbox"/> Produits de nettoyage écologiques	<input type="checkbox"/> Trousses de nettoyage pour dessus lisse
LAVE-VAISSELLE	LAUNDRY
<input type="checkbox"/> Tuyaux en acier inoxydable	<input type="checkbox"/> Tuyaux en caoutchouc et en acier inoxydable
<input type="checkbox"/> Colliers et raccords de lave-vaisselle	<input type="checkbox"/> Conduits, colliers, événements et brosses de nettoyage pour évent de sècheuse
<input type="checkbox"/> Trousses d'installation de lave-vaisselle	<input type="checkbox"/> Filtres et éléments chauffants
ASPIRATEURS :	PELOUSE ET JARDIN :
<input type="checkbox"/> Sacs	<input type="checkbox"/> Nécessaires de mise au point, huiles et stabilisateurs de carburant
<input type="checkbox"/> Courroies	<input type="checkbox"/> Filtres
<input type="checkbox"/> Tuyaux	<input type="checkbox"/> Lames
<input type="checkbox"/> Manches, tuyaux et buses	<input type="checkbox"/> Courroies
<input type="checkbox"/> Filtres	<input type="checkbox"/> Bougies, boulons de cisaillements et goupilles de cisaillement
CHAUFFAGE ET VENTILATION :	
<input type="checkbox"/> Filtres de fournaise et de climatiseur	<input type="checkbox"/> Tampons d'humidificateur
<input type="checkbox"/> Thermostats	<input type="checkbox"/> Produit de nettoyage d'humidificateur Durasept

ET BIEN PLUS ENCORE! NOUS OFFRONS PLUS
D'UN MILLION DE PIÈCES ET ACCESSOIRES!

Nous offrons l'entretien en atelier ou à domicile pour les appareils de toutes les grandes marques.

Composez le 1-800-LE-FOYÉ^{MD}
Sears.ca/parts

Kenmore Elite®

For Sears Home Services in-home repair
of all Kenmore major appliances.

For the replacement parts, accessories and
Use & Care Guides that you need to do-it-yourself.

For professional installation of major home appliances
and items like air conditioners and water heaters.

1-844-553-6667

www.kenmore.com

In Canada **1-800-469-4663**

www.sears.ca

Call anytime for the location of your nearest
Sears Parts & Repair Service Center

1-800-488-1222 (U.S.A.)

1-800-469-4663 (Canada)

To purchase a protection agreement on a serviceable product:

1-800-827-6655 (U.S.A.)

1-800-361-6665 (Canada)

Para pedir servicio de reparación
a domicilio, y ordenar piezas:

1-888-SU-HOGAR®

(1-888-784-6427)

www.kenmore.com

Au Canada pour service en français:

1-800-LE-FOYER^{MC}

(1-800-533-6937)

www.sears.ca

