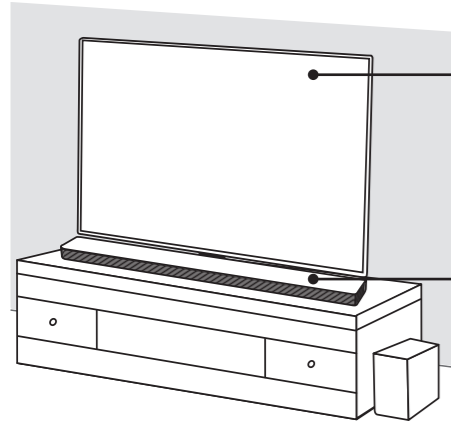
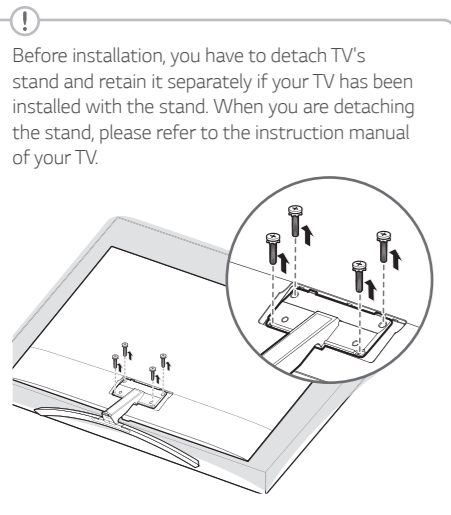


CHECK



- LG TV (Compatible TV models)**
- 65/55SJ800
 - 65/55SJ810
 - 65/55SJ850
 - 65/55UJ750
 - 65/55UJ752
 - 65/55UJ775

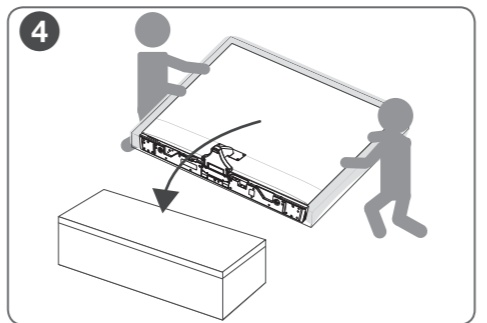
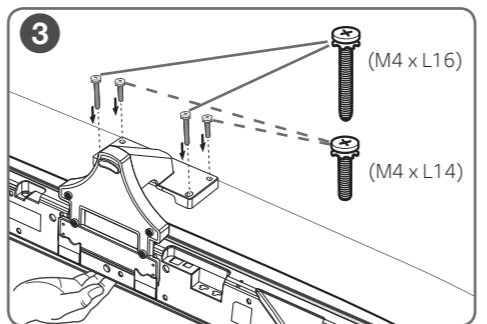
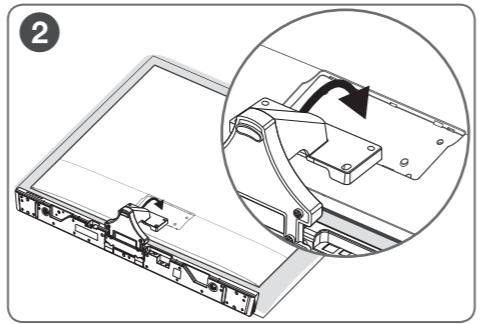
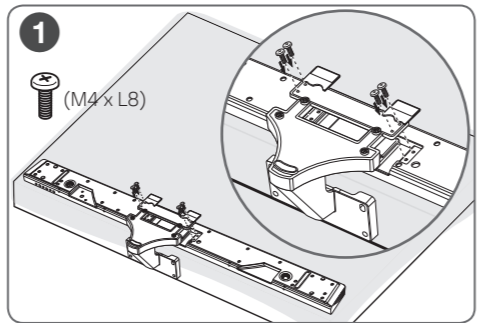
LG Sound Bar SJ8



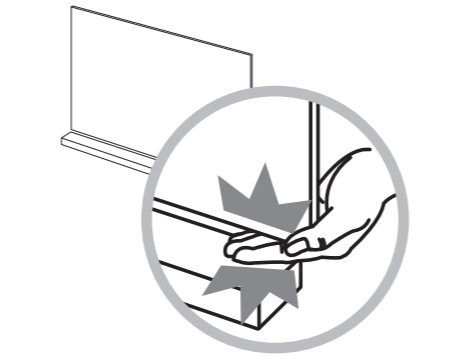
Before installation, you have to detach TV's stand and retain it separately if your TV has been installed with the stand. When you are detaching the stand, please refer to the instruction manual of your TV.

- When detaching or attaching the stand of the TV, place the screen facing down on a cushioned table or flat surface to protect the screen from scratches and damages.
- Make sure that the screws are fastened tightly. (If they are not fastened securely enough, the TV may tilt forward after being installed.)

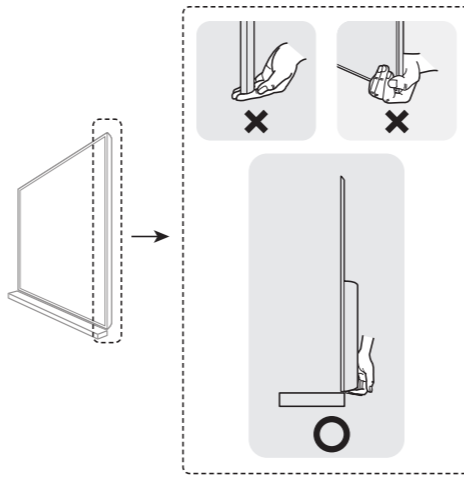
Installation



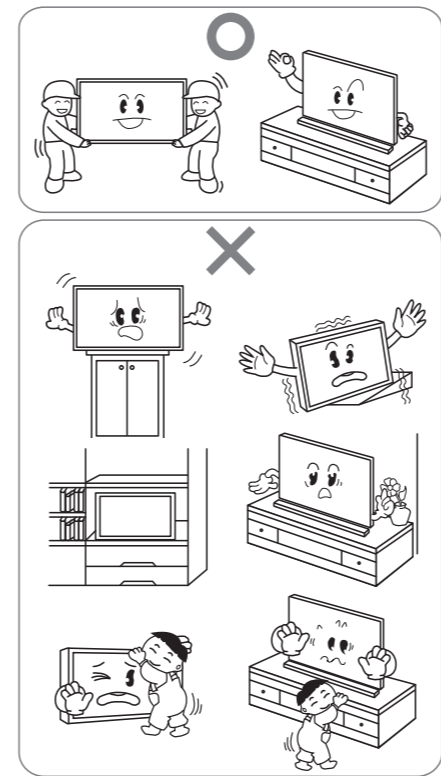
CAUTION for moving a TV



Be careful not to get your fingers caught between the TV and the Sound Bar.

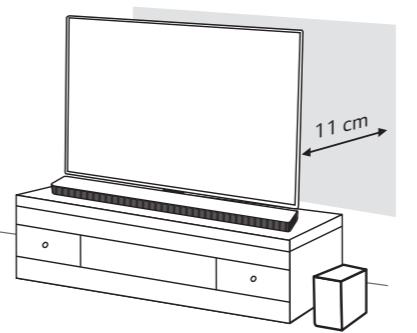


CAUTION



Positioning

For safety installation, there should be enough space between the wall and the installed product.



Cable management

You can arrange the cables behind of your TV by using a supplied cable management clip.

