

SIMPLE MANUAL

MINI HI-FI AUDIO

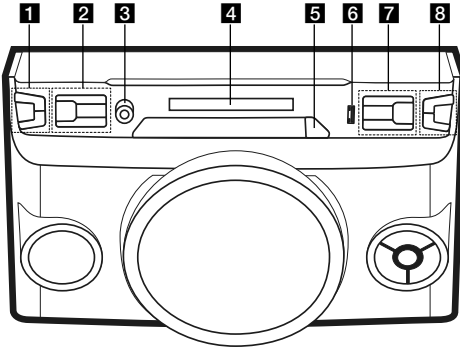
To view the instructions of advanced features,
visit <http://www.lg.com> and then download Owner's Manual.
Some of the content in this manual may differ from your unit.

MODEL
OM4560



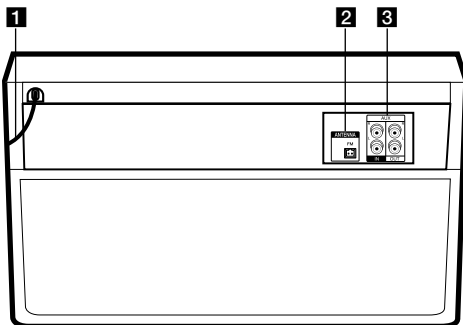


Front Panel



- 1** (Power) : Switches the unit ON or OFF.
MIC +/- : Adjusts microphone volume.
- 2** **F / WIRELESS LINK** : Selects the function and input source. /
Press and hold for 3 seconds to select WIRELESS PARTY LINK mode.
REGION EQ / BASS BLAST : Chooses region equalizer. /
Press and hold for 3 seconds to select BASS (BASS BLAST) effect directly.
VOICE CANCELLER : You can enjoy the function while playing the music, by reducing singer vocal of music in the various source.
USB REC / DEMO : Records to USB. / Shows Demo mode.
- 3** **MIC 1** : Connect a microphone.
- 4** Display window
- 5** : Opens and closes the disc tray.
- 6** **USB Port** : You can play or record sound files by connecting the USB device.
- 7** **||<< / >>||** : Skips fast backward or forward. / Searches for a section within a track/file.
 : Stops playback or cancels DELETE function.
> / || : Starts or pauses playback.
- 8** **VOL +/-** : Adjusts speaker volume.
LIGHTING / PARTY LINK : Turns on/off the lighting effects. /
Press and hold for 3 seconds to select PARTY LINK mode.

Rear Panel



- 1** Power cord
- 2** FM ANTENNA
- 3** AUX IN (L/R)
AUX OUT (L/R)

Controller App



Download the **Music Flow Bluetooth** App to your device.

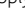
LG Sound Sync (Wireless)



For more information, download the online owner's manual. <http://www.lg.com>

Additional Information

Specification

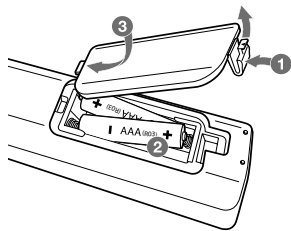
Power requirements	Refer to main label.
Power consumption	Refer to main label.
	Networked standby : 0.5 W (If all network ports are activated.)
Dimensions (W x H x D)	Approx. 451.5 mm x 311 mm x 302.5 mm
Net Weight	Approx. 7.5 kg
Bus Power Supply (USB)	5 V  500 mA
Amplifier (Total RMS output power)	220 W x 1 (3 Ω at 1 kHz, 25 % THD)

Design and specifications are subject to change without notice.

How to disconnect the wireless network connection or the wireless device

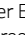
Turn off the unit by pressing the power button for more than 5 seconds.

Replacement of battery



POWER: This unit operates on a mains supply of 200-240V~, 50/60Hz.

Wiring: This unit is supplied with a BS 1363 approved main plug. When replacing the fuse, always use of the same rating approved to BS 1362. Never use this plug with the fuse cover omitted. To obtain a replacement fuse cover contact your dealer. If the type of plug supplied is not suitable for the mains sockets in your home, then the plug should be removed and a suitable type fitted. Please refer to the wiring instructions below.

Warning: A mains plug removed from the mains lead of this unit must be destroyed. A mains plug with bared wires is hazardous if inserted in a mains socket. Do not connect either wire to the earth pin, marked with the letter E or with the earth symbol  or coloured green or green and yellow. If any other plug is fitted, use same rating of fuse in the plug.

Important: The wires in this mains lead are coloured in accordance with the following codes:

- **BLUE: NEUTRAL, BROWN: LIVE** - As the colours of the wires in the mains lead of this unit may not correspond with the coloured marking identifying the terminals in your plug, proceed as follows: The wire which is coloured blue must be connected to the terminal which is marked with the letter N or coloured black. The wire which is coloured brown must be connected to the terminal which is marked with the letter L or coloured red.

